

DATA SHEET



Three Phase Induction Motor - Squirrel Cage

Customer :																			
Product line	: NEMA Premium Efficiency Three-Phase																		
Product code :	12881322																		
Catalog # :	00536OT3V182T-S																		
Frame : 182/4T Output : 5 HP (3.7 kW) Poles : 2 Frequency : 60 Hz Rated voltage : 200/400 V Rated current : 14.0/7.01 A L. R. Amperes : 107/53.3 A LRC : 7.6x(Code J) No load current : 5.93/2.96 A Rated speed : 3510 rpm Slip : 2.50 % Rated torque : 7.48 ft.lb Locked rotor torque : 190 % Breakdown torque : 300 % Insulation class : F Service factor : 1.15 Moment of inertia (J) : 0.1386 sq.ft.lb Design : B	Locked rotor time : 21s (cold) 12s (hot) Temperature rise : 80 K Duty cycle : Cont.(S1) Ambient temperature : -20°C to +40°C Altitude : 1000 m.a.s.l. Cooling method : IC01 - ODP Mounting : F-1 Rotation ¹ : Both (CW and CCW) Noise level ² : 65.0 dB(A) Starting method : Direct On Line Approx. weight ³ : 56.4 lb																		
Output	25% 50% 75% 100%																		
Efficiency (%)	85.2 85.5 86.5 86.5																		
Power Factor	0.45 0.73 0.83 0.88																		
Foundation loads																			
Max. traction : 115 lb																			
Max. compression : 171 lb																			
<table border="0" style="width:100%"> <tr> <td></td> <td style="text-align:center"><u>Drive end</u></td> <td style="text-align:center"><u>Non drive end</u></td> </tr> <tr> <td>Bearing type :</td> <td style="text-align:center">6206 ZZ</td> <td style="text-align:center">6205 ZZ</td> </tr> <tr> <td>Sealing :</td> <td style="text-align:center">Without Bearing Seal</td> <td style="text-align:center">Without Bearing Seal</td> </tr> <tr> <td>Lubrication interval :</td> <td style="text-align:center">-</td> <td style="text-align:center">-</td> </tr> <tr> <td>Lubricant amount :</td> <td style="text-align:center">-</td> <td style="text-align:center">-</td> </tr> <tr> <td>Lubricant type :</td> <td colspan="2" style="text-align:center">Mobil Polyrex EM</td> </tr> </table>			<u>Drive end</u>	<u>Non drive end</u>	Bearing type :	6206 ZZ	6205 ZZ	Sealing :	Without Bearing Seal	Without Bearing Seal	Lubrication interval :	-	-	Lubricant amount :	-	-	Lubricant type :	Mobil Polyrex EM	
	<u>Drive end</u>	<u>Non drive end</u>																	
Bearing type :	6206 ZZ	6205 ZZ																	
Sealing :	Without Bearing Seal	Without Bearing Seal																	
Lubrication interval :	-	-																	
Lubricant amount :	-	-																	
Lubricant type :	Mobil Polyrex EM																		
Notes																			
This revision replaces and cancel the previous one, which must be eliminated. (1) Looking the motor from the shaft end. (2) Measured at 1m and with tolerance of +3dB(A). (3) Approximate weight subject to changes after manufacturing process. (4) At 100% of full load.																			
These are average values based on tests with sinusoidal power supply, subject to the tolerances stipulated in NEMA MG-1.																			
Rev.	Changes Summary	Performed	Checked	Date															
Performed by																			
Checked by			Page	Revision															
Date	13/04/2022		1 / 6																

TORQUE AND CURRENT VS SPEED CURVE

Three Phase Induction Motor - Squirrel Cage



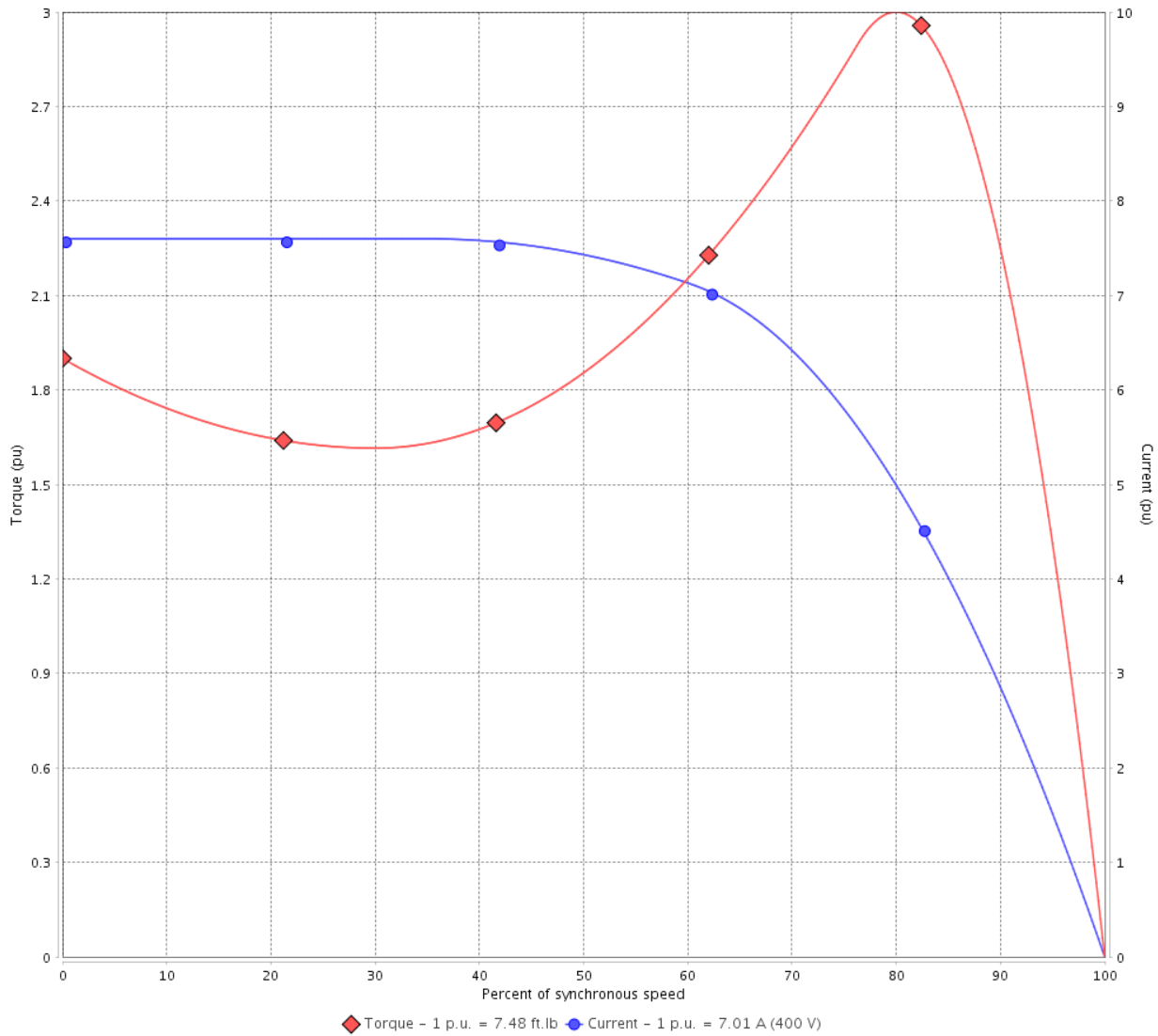
Customer :

Product line : NEMA Premium Efficiency Three-Phase

Product code : 12881322

Catalog # : 005360T3V182T-S

TORQUE AND CURRENT VS SPEED CURVE



Performance : 200/400 V 60 Hz 2P

Rated current : 14.0/7.01 A
 LRC : 7.6
 Rated torque : 7.48 ft.lb
 Locked rotor torque : 190 %
 Breakdown torque : 300 %
 Rated speed : 3510 rpm

Moment of inertia (J) : 0.1386 sq.ft.lb
 Duty cycle : Cont.(S1)
 Insulation class : F
 Service factor : 1.15
 Temperature rise : 80 K
 Design : B

Locked rotor time : 21s (cold) 12s (hot)

Rev.	Changes Summary	Performed	Checked	Date
Performed by			Page 2 / 6	Revision
Checked by				
Date	13/04/2022			

LOAD PERFORMANCE CURVE

Three Phase Induction Motor - Squirrel Cage

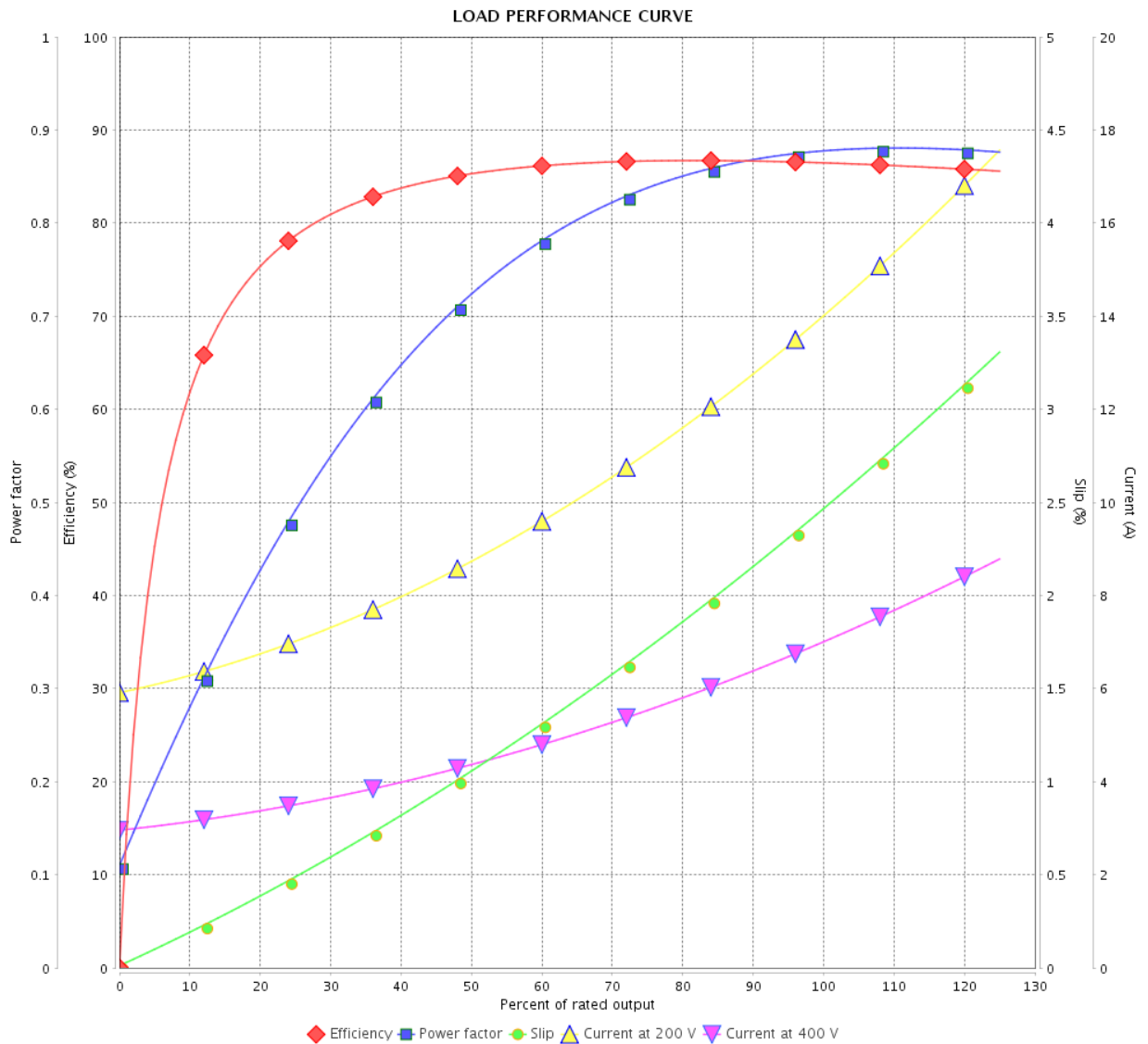


Customer :

Product line : NEMA Premium Efficiency Three-Phase

Product code : 12881322

Catalog # : 00536OT3V182T-S



Performance : 200/400 V 60 Hz 2P

Rated current : 14.0/7.01 A
 LRC : 7.6
 Rated torque : 7.48 ft.lb
 Locked rotor torque : 190 %
 Breakdown torque : 300 %
 Rated speed : 3510 rpm

Moment of inertia (J) : 0.1386 sq.ft.lb
 Duty cycle : Cont.(S1)
 Insulation class : F
 Service factor : 1.15
 Temperature rise : 80 K
 Design : B

Rev.	Changes Summary	Performed	Checked	Date
Performed by			Page	Revision
Checked by				
Date				
			3 / 6	

THERMAL LIMIT CURVE



Three Phase Induction Motor - Squirrel Cage

Customer :

Product line : NEMA Premium Efficiency Three-Phase
Product code : 12881322
Catalog # : 00536OT3V182T-S

Performance : 200/400 V 60 Hz 2P

Rated current	: 14.0/7.01 A	Moment of inertia (J)	: 0.1386 sq.ft.lb
LRC	: 7.6	Duty cycle	: Cont.(S1)
Rated torque	: 7.48 ft.lb	Insulation class	: F
Locked rotor torque	: 190 %	Service factor	: 1.15
Breakdown torque	: 300 %	Temperature rise	: 80 K
Rated speed	: 3510 rpm	Design	: B

Heating constant

Cooling constant

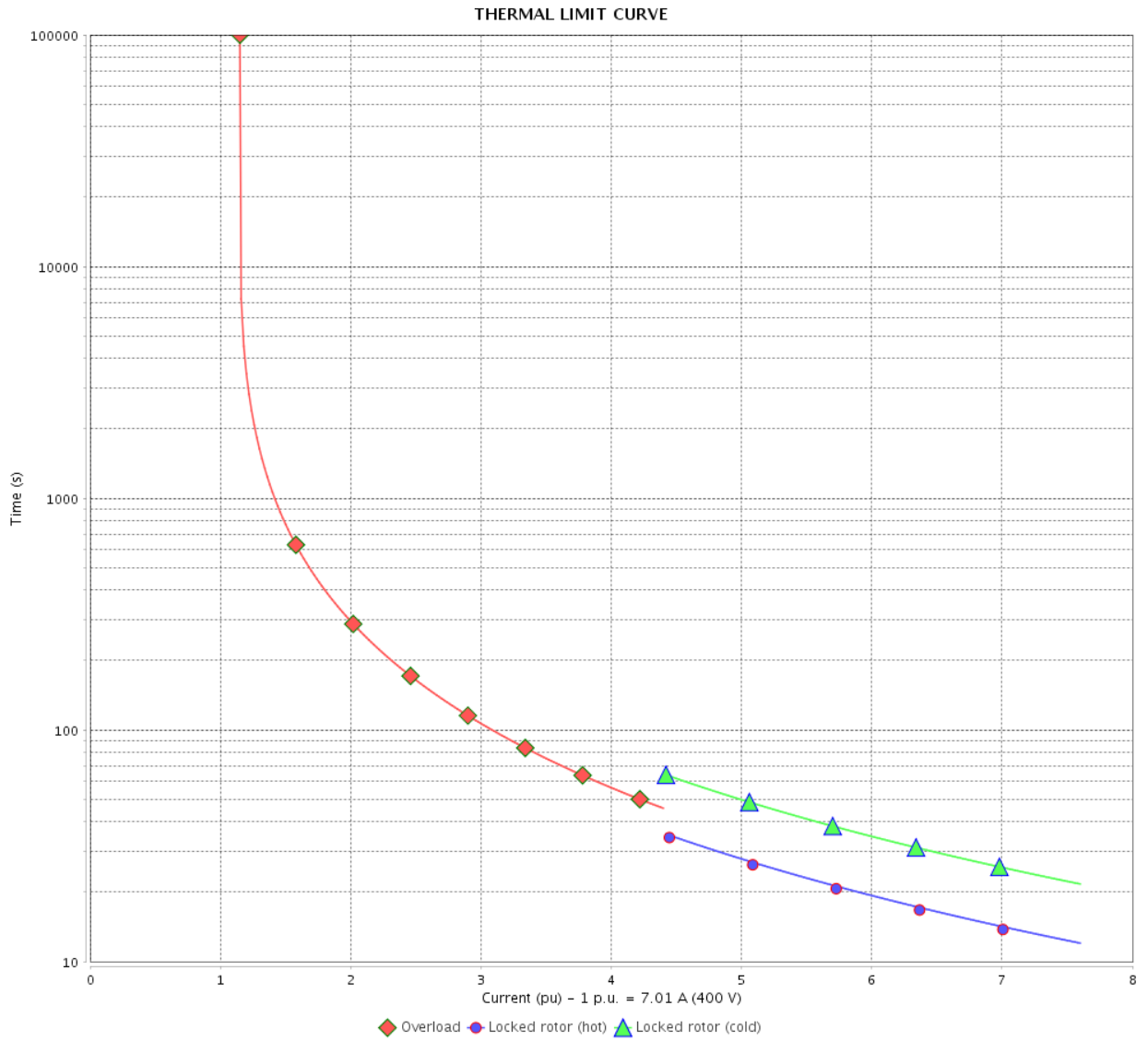
Rev.	Changes Summary	Performed	Checked	Date
Performed by				
Checked by			Page	Revision
Date	13/04/2022		4 / 6	

THERMAL LIMIT CURVE

Three Phase Induction Motor - Squirrel Cage



Customer : _____



Rev.	Changes Summary	Performed	Checked	Date
Performed by				
Checked by				
Date				
			Page 5 / 6	Revision

VFD OPERATION CURVE

Three Phase Induction Motor - Squirrel Cage



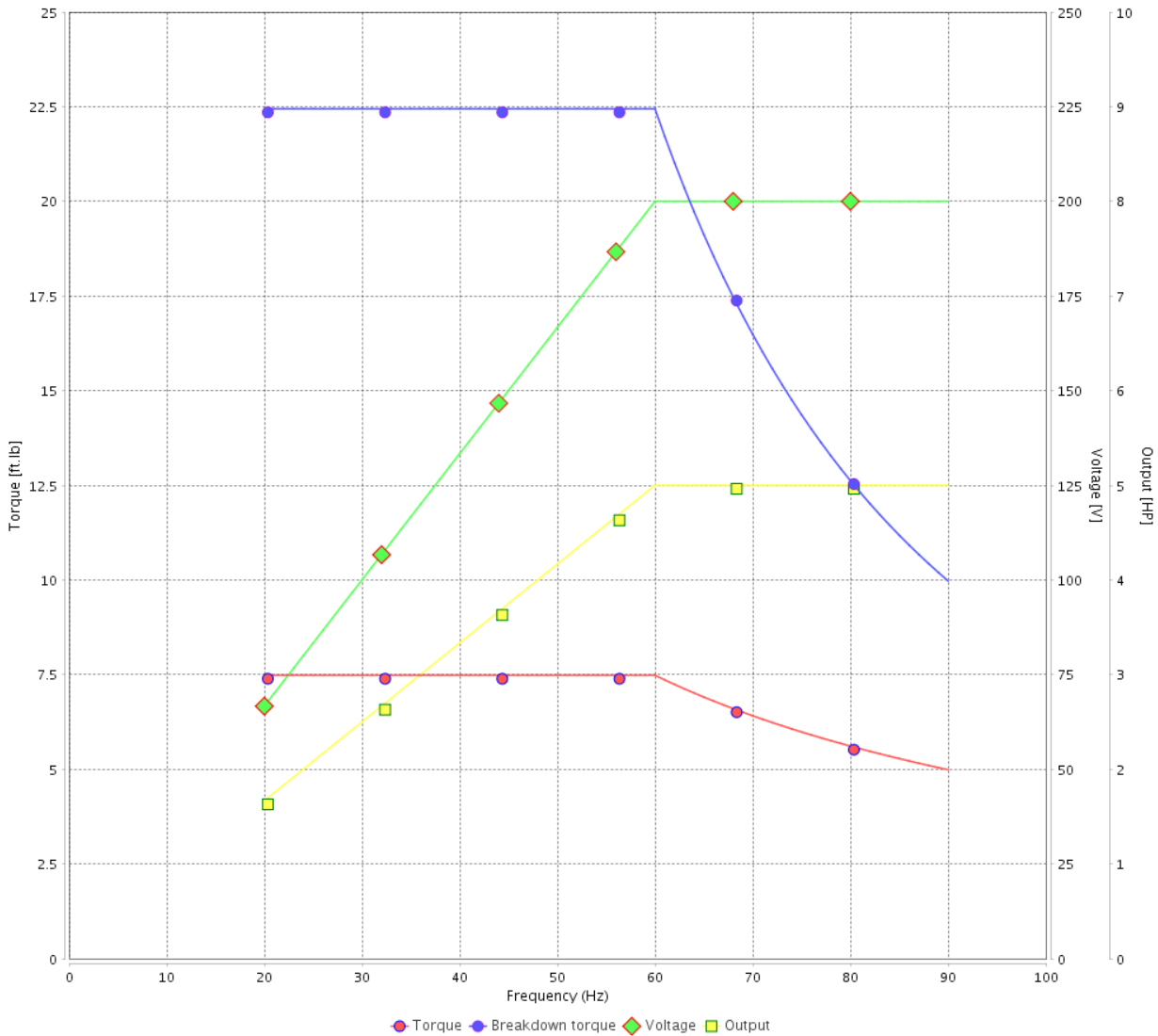
Customer :

Product line : NEMA Premium Efficiency Three-Phase

Product code : 12881322

Catalog # : 00536OT3V182T-S

VFD OPERATION CURVE



Performance : 200/400 V 60 Hz 2P

Rated current : 14.0/7.01 A
 LRC : 7.6
 Rated torque : 7.48 ft.lb
 Locked rotor torque : 190 %
 Breakdown torque : 300 %
 Rated speed : 3510 rpm

Moment of inertia (J) : 0.1386 sq.ft.lb
 Duty cycle : Cont.(S1)
 Insulation class : F
 Service factor : 1.15
 Temperature rise : 80 K
 Design : B

Rev.	Changes Summary	Performed	Checked	Date
Performed by			Page 6 / 6	Revision
Checked by				
Date	13/04/2022			

1 2 3 4 5 6

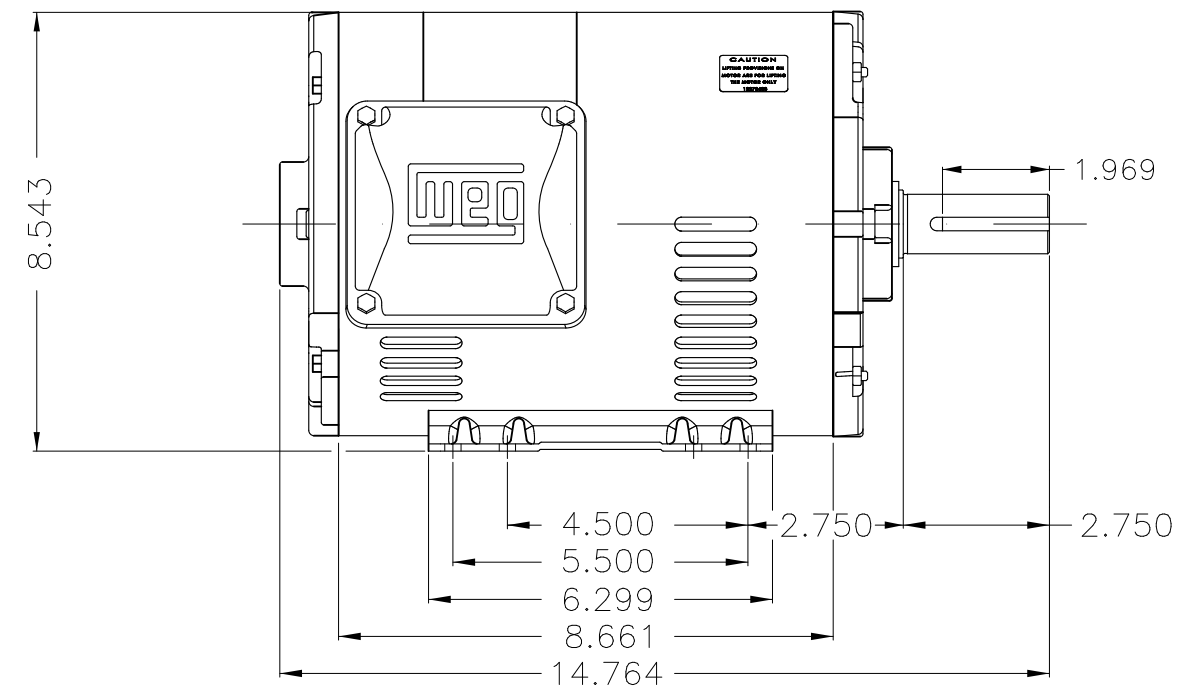
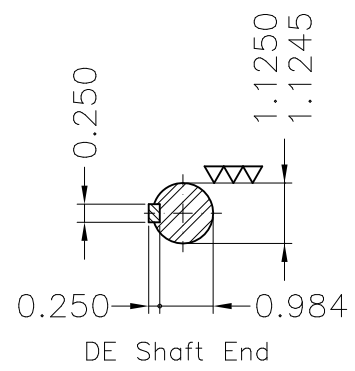
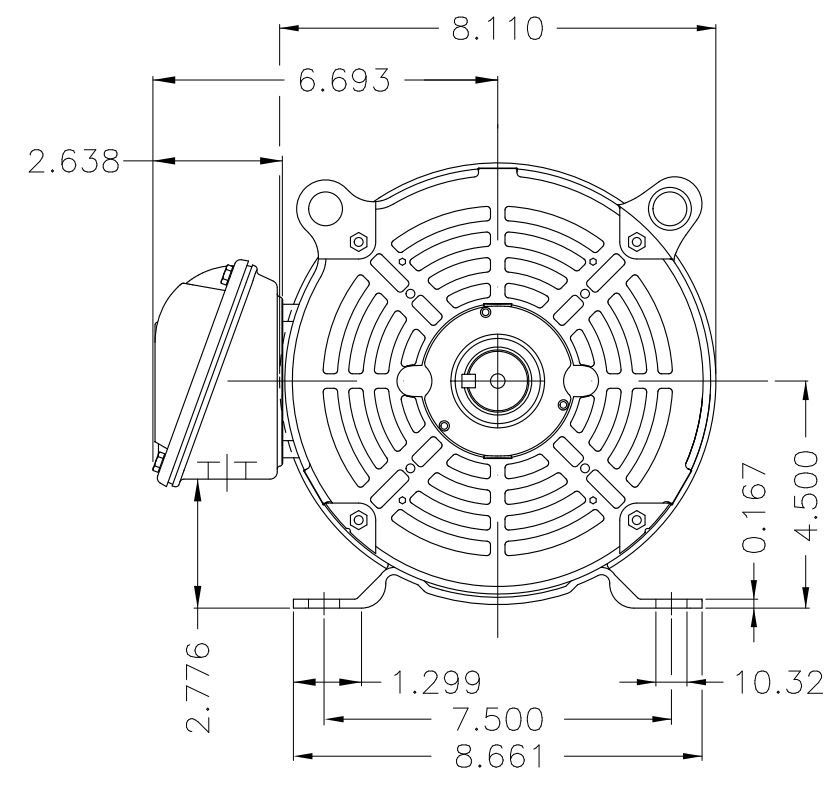
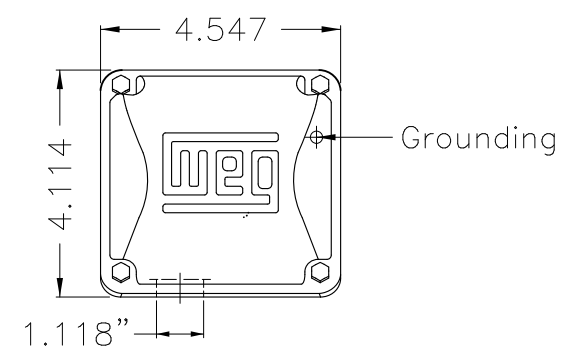
A

B

C

D

E



Color Munsell N 1 matte black											
Painting plan 207N											
Mounting F-1/B3R(D)											
ECM	LOC	SUMMARY OF MODIFICATIONS					EXECUTED	CHECKED	RELEASED	DATE	VER
EXECUTED	PIRWBUSER	THREE PH. MOTOR ROLLED STEEL PREM. EFF.					PREVIEW	WDD	SHEET	1 / 1	
CHECKED		FRAME 182/4T IP21 ODP									
RELEASED											
REL DT.		WMO	Jaragua do Sul	Product Engineering							

5 HP 02 Poles 60 Hz



NEMA
Premium



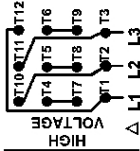
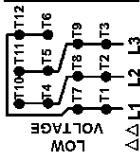
MADE IN MEXICO

MAT: 12881322 CC029A
W01.T00IC0X0N
MODEL 005360T3V182T-S
30NOV2020 S/N:

PH 3	HZ 60	HP 5.0
FR 182/4T		KW 3.7
DUTY CONT.		V 200/400
ALT 1000 m.a.s.l.		A 14.0/7.02
INS CL F AT 80K		SFA 16.1/8.07
AMB 40°C	DES B	SF 1.15
ENCL ODP	CODE J	PF 0.88
		RPM 3510
		NEMA
		NOM. EFF 86.5%

Inverter duty motor For use on VPWM 1000:1 VT, 3:1 CT

DE 6206-ZZ	ODE 6205-ZZ	MOBIL POLYREX EM
-------------------	--------------------	-------------------------



T1-BLU T2-WHT
T3-ORG T4-YEL
T5-BLK T6-GRY
T7-PNK T8-RED
T9-BRK RED
T10-CURRY
T11-GRN T12-VLT

INTERCHANGE ANY TWO LINE WIRES TO REVERSE THE ROTATION



WARNING: Motor must be grounded in accordance with local and national electrical codes to prevent serious electrical shocks. Disconnect power source before servicing unit.

AVERTISSEMENT: Le moteur doit être mis à la terre

conformément aux codes électriques locaux et nationaux afin d'éviter tout choc électrique grave. Déconnectez l'alimentation avant l'entretien de la machine.

