

DATA SHEET



Three Phase Induction Motor - Squirrel Cage

Customer : _____																			
Product line : NEMA Premium Efficiency Three-Phase	Product code : 14595407 Catalog # : 00536XT3H184T																		
Frame : 182/4T Output : 5 HP (3.7 kW) Poles : 2 Frequency : 60 Hz Rated voltage : 575 V Rated current : 4.88 A L. R. Amperes : 36.6 A LRC : 7.5x(Code J) No load current : 1.76 A Rated speed : 3490 rpm Slip : 3.06 % Rated torque : 7.52 ft.lb Locked rotor torque : 250 % Breakdown torque : 380 % Insulation class : F Service factor : 1.15 Moment of inertia (J) : 0.1889 sq.ft.lb Design : B	Locked rotor time : 46s (cold) 26s (hot) Temperature rise : 80 K Duty cycle : Cont.(S1) Ambient temperature : -20°C to +40°C Altitude : 1000 m.a.s.l. Protection degree : IP55 Cooling method : IC411 - TEFC Mounting : F-1 Rotation ¹ : Both (CW and CCW) Noise level ² : 69.0 dB(A) Starting method : Direct On Line Approx. weight ³ : 131 lb																		
<table border="1"> <tr> <td>Output</td> <td>25%</td> <td>50%</td> <td>75%</td> <td>100%</td> </tr> <tr> <td>Efficiency (%)</td> <td>84.3</td> <td>85.5</td> <td>87.5</td> <td>88.5</td> </tr> <tr> <td>Power Factor</td> <td>0.47</td> <td>0.70</td> <td>0.81</td> <td>0.86</td> </tr> </table>	Output	25%	50%	75%	100%	Efficiency (%)	84.3	85.5	87.5	88.5	Power Factor	0.47	0.70	0.81	0.86	Foundation loads Max. traction : 117 lb Max. compression : 248 lb			
Output	25%	50%	75%	100%															
Efficiency (%)	84.3	85.5	87.5	88.5															
Power Factor	0.47	0.70	0.81	0.86															
<table border="1"> <thead> <tr> <th></th> <th>Drive end</th> <th>Non drive end</th> </tr> </thead> <tbody> <tr> <td>Bearing type</td> <td>6307 2RS</td> <td>6206 2RS</td> </tr> <tr> <td>Sealing</td> <td>Oil Seal</td> <td>Lip Seal</td> </tr> <tr> <td>Lubrication interval</td> <td>-</td> <td>-</td> </tr> <tr> <td>Lubricant amount</td> <td>-</td> <td>-</td> </tr> <tr> <td>Lubricant type</td> <td colspan="2">Mobil Polyrex EM</td> </tr> </tbody> </table>		Drive end	Non drive end	Bearing type	6307 2RS	6206 2RS	Sealing	Oil Seal	Lip Seal	Lubrication interval	-	-	Lubricant amount	-	-	Lubricant type	Mobil Polyrex EM		
	Drive end	Non drive end																	
Bearing type	6307 2RS	6206 2RS																	
Sealing	Oil Seal	Lip Seal																	
Lubrication interval	-	-																	
Lubricant amount	-	-																	
Lubricant type	Mobil Polyrex EM																		
Notes																			
This revision replaces and cancel the previous one, which must be eliminated. (1) Looking the motor from the shaft end. (2) Measured at 1m and with tolerance of +3dB(A). (3) Approximate weight subject to changes after manufacturing process. (4) At 100% of full load.																			
These are average values based on tests with sinusoidal power supply, subject to the tolerances stipulated in NEMA MG-1.																			
Rev.	Changes Summary	Performed	Checked	Date															
Performed by																			
Checked by			Page	Revision															
Date	13/04/2022		1 / 7																

DATA SHEET

Three Phase Induction Motor - Squirrel Cage



Customer : _____

Thermal protection

ID	Application	Type	Quantity	Sensing Temperature
1	Winding	Thermostat - 2 wires	1 x Phase	155 °C

Rev.	Changes Summary	Performed	Checked	Date
Performed by				
Checked by			Page	Revision
Date	13/04/2022		2 / 7	

TORQUE AND CURRENT VS SPEED CURVE



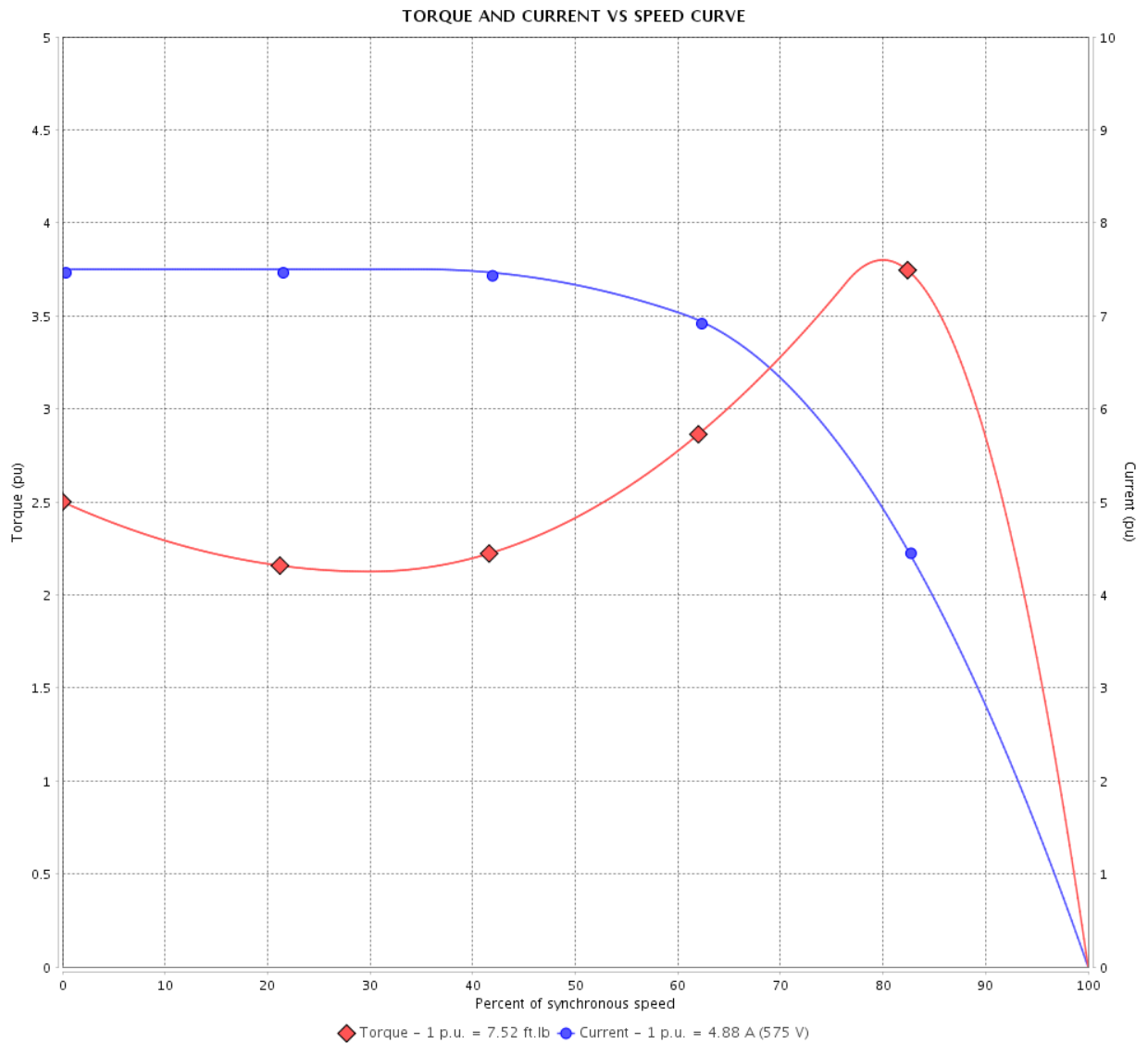
Three Phase Induction Motor - Squirrel Cage

Customer :

Product line : NEMA Premium Efficiency Three-Phase

Product code : 14595407

Catalog # : 00536XT3H184T



Performance : 575 V 60 Hz 2P

Rated current	: 4.88 A	Moment of inertia (J)	: 0.1889 sq.ft.lb
LRC	: 7.5	Duty cycle	: Cont.(S1)
Rated torque	: 7.52 ft.lb	Insulation class	: F
Locked rotor torque	: 250 %	Service factor	: 1.15
Breakdown torque	: 380 %	Temperature rise	: 80 K
Rated speed	: 3490 rpm	Design	: B

Locked rotor time : 46s (cold) 26s (hot)

Rev.	Changes Summary	Performed	Checked	Date
Performed by			Page 3 / 7	Revision
Checked by				
Date	13/04/2022			

LOAD PERFORMANCE CURVE

Three Phase Induction Motor - Squirrel Cage



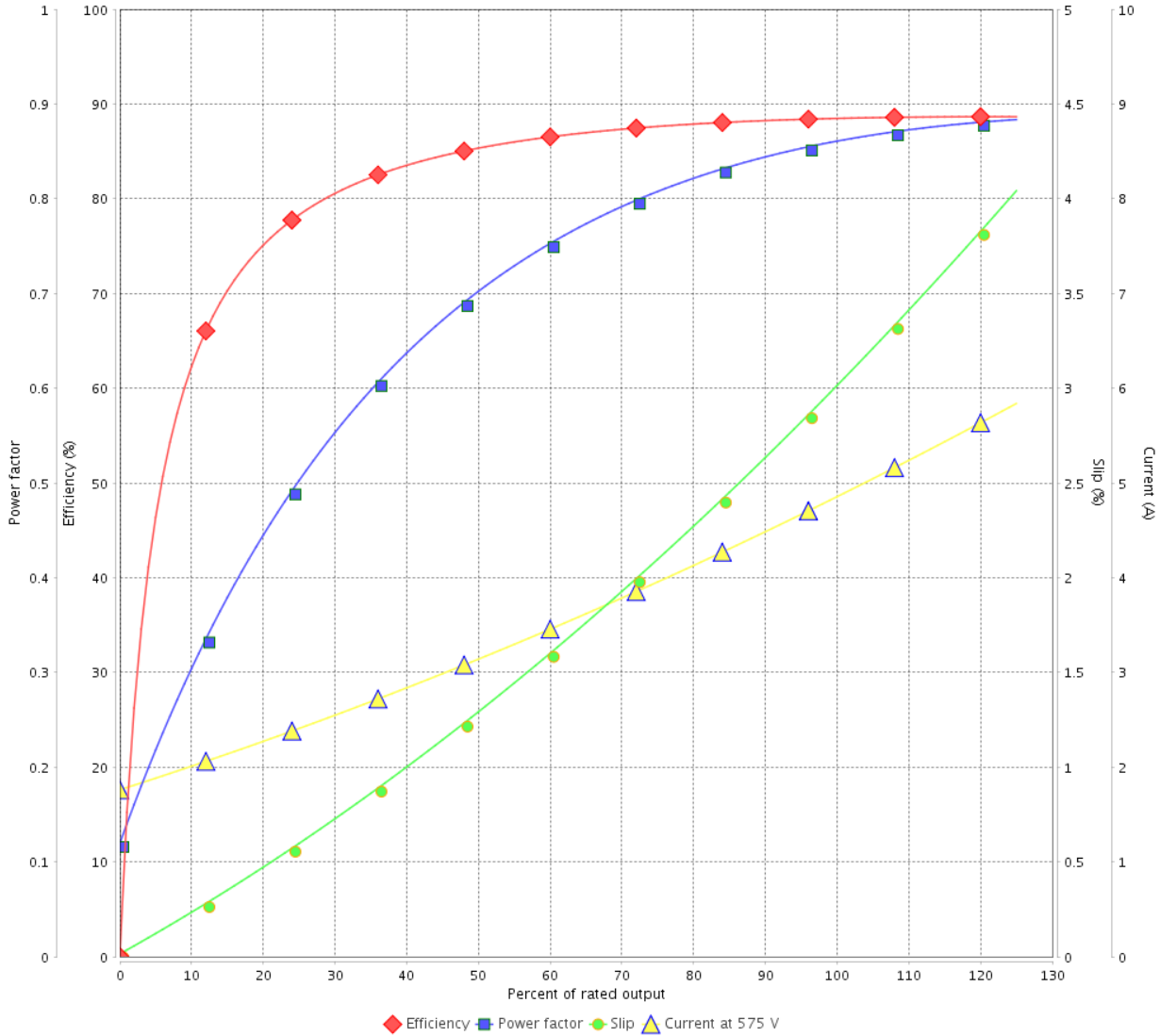
Customer :

Product line : NEMA Premium Efficiency Three-Phase

Product code : 14595407

Catalog # : 00536XT3H184T

LOAD PERFORMANCE CURVE



Performance : 575 V 60 Hz 2P

Rated current : 4.88 A
 LRC : 7.5
 Rated torque : 7.52 ft.lb
 Locked rotor torque : 250 %
 Breakdown torque : 380 %
 Rated speed : 3490 rpm

Moment of inertia (J) : 0.1889 sq.ft.lb
 Duty cycle : Cont.(S1)
 Insulation class : F
 Service factor : 1.15
 Temperature rise : 80 K
 Design : B

Rev.	Changes Summary	Performed	Checked	Date
Performed by			Page 4 / 7	Revision
Checked by				
Date	13/04/2022			

THERMAL LIMIT CURVE



Three Phase Induction Motor - Squirrel Cage

Customer :

Product line : NEMA Premium Efficiency Three-Phase
 Product code : 14595407
 Catalog # : 00536XT3H184T

Performance : 575 V 60 Hz 2P

Rated current : 4.88 A	Moment of inertia (J) : 0.1889 sq.ft.lb
LRC : 7.5	Duty cycle : Cont.(S1)
Rated torque : 7.52 ft.lb	Insulation class : F
Locked rotor torque : 250 %	Service factor : 1.15
Breakdown torque : 380 %	Temperature rise : 80 K
Rated speed : 3490 rpm	Design : B

Heating constant

Cooling constant

Rev.	Changes Summary	Performed	Checked	Date
Performed by			Page 5 / 7	Revision
Checked by				
Date	13/04/2022			

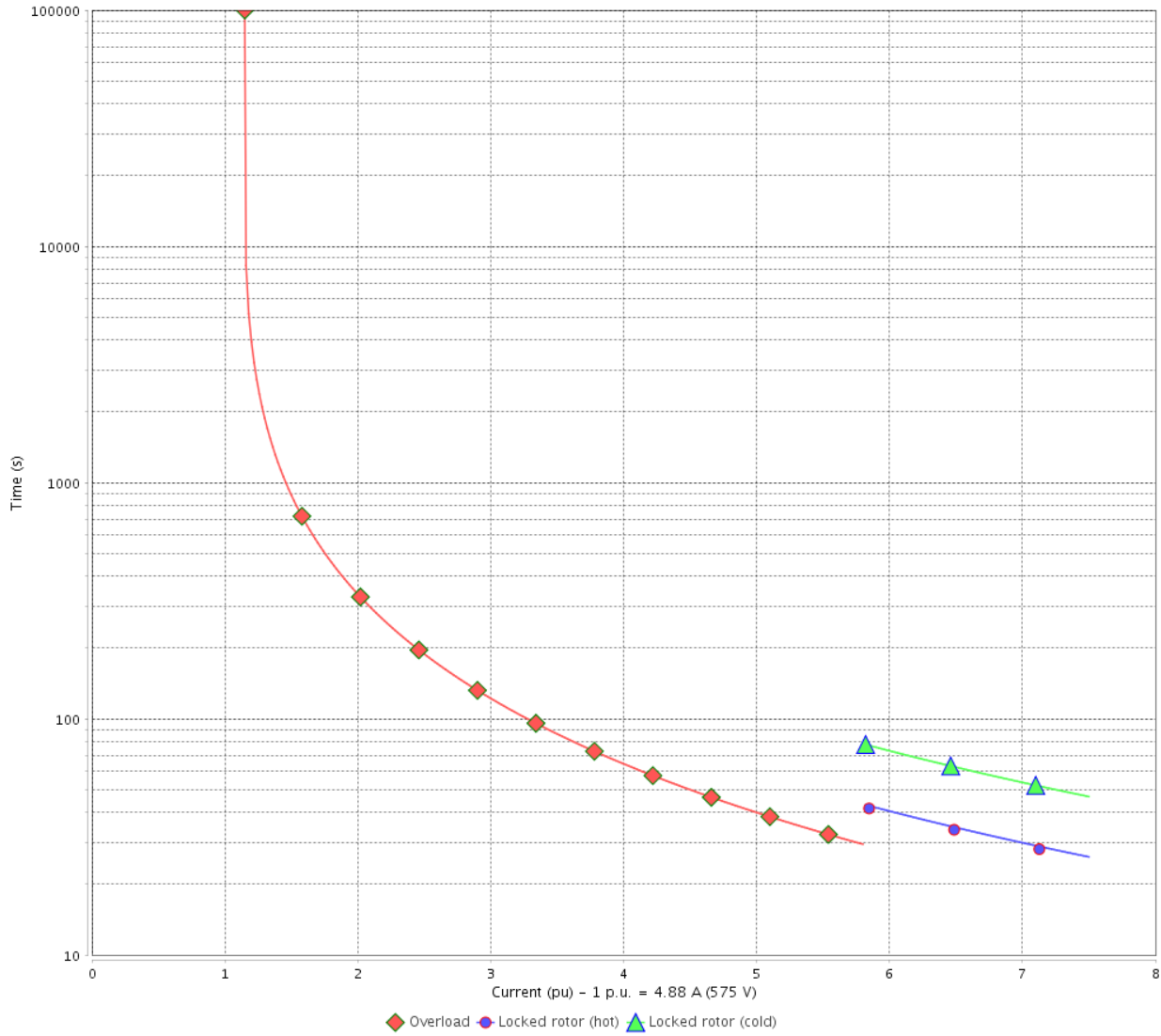
THERMAL LIMIT CURVE

Three Phase Induction Motor - Squirrel Cage



Customer : _____

THERMAL LIMIT CURVE



Rev.	Changes Summary	Performed	Checked	Date
Performed by			Page 6 / 7	Revision
Checked by				
Date	13/04/2022			

VFD OPERATION CURVE

Three Phase Induction Motor - Squirrel Cage

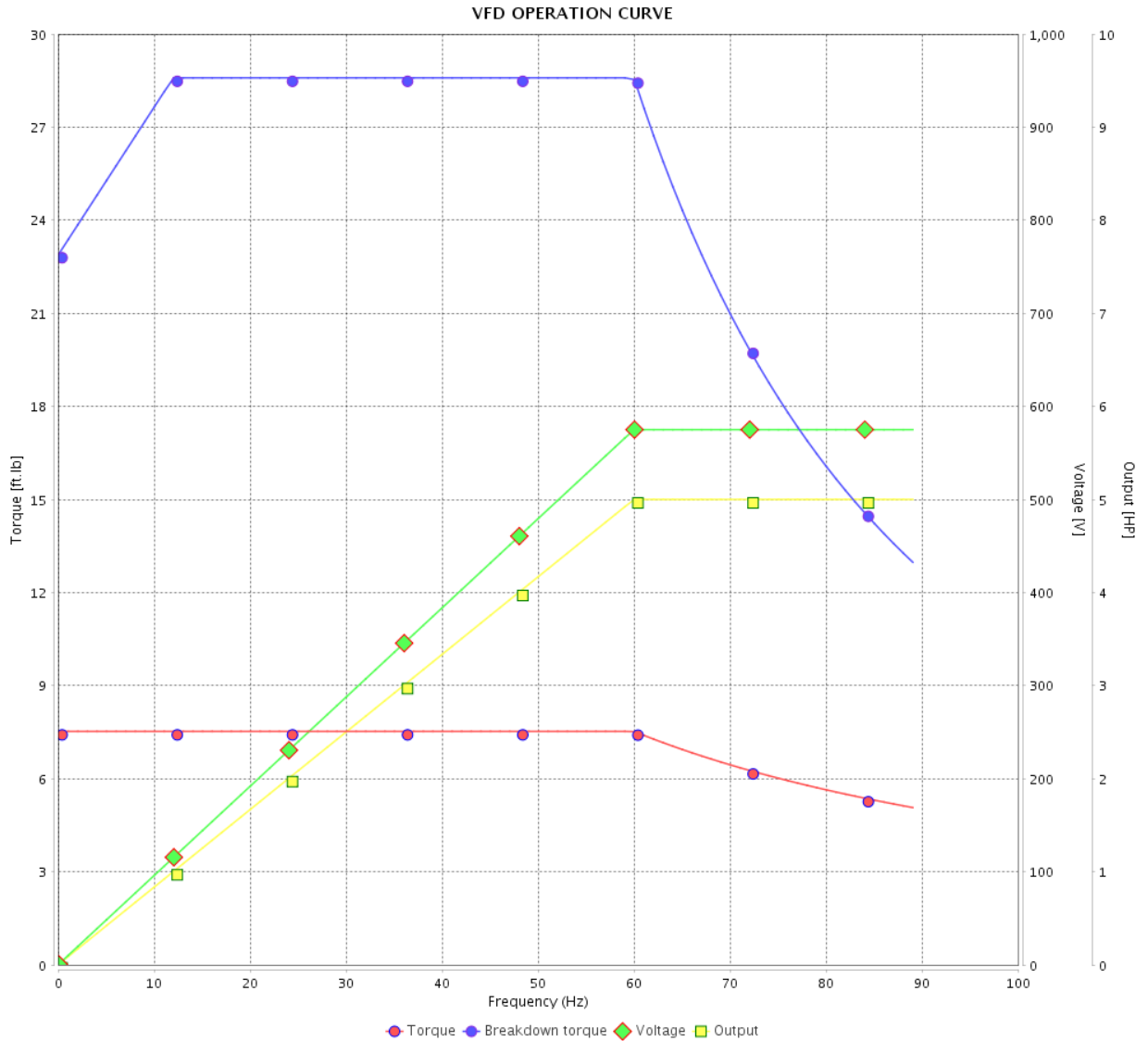


Customer :

Product line : NEMA Premium Efficiency Three-Phase

Product code : 14595407

Catalog # : 00536XT3H184T

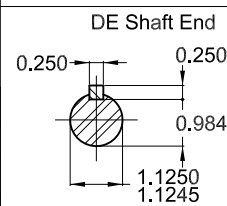
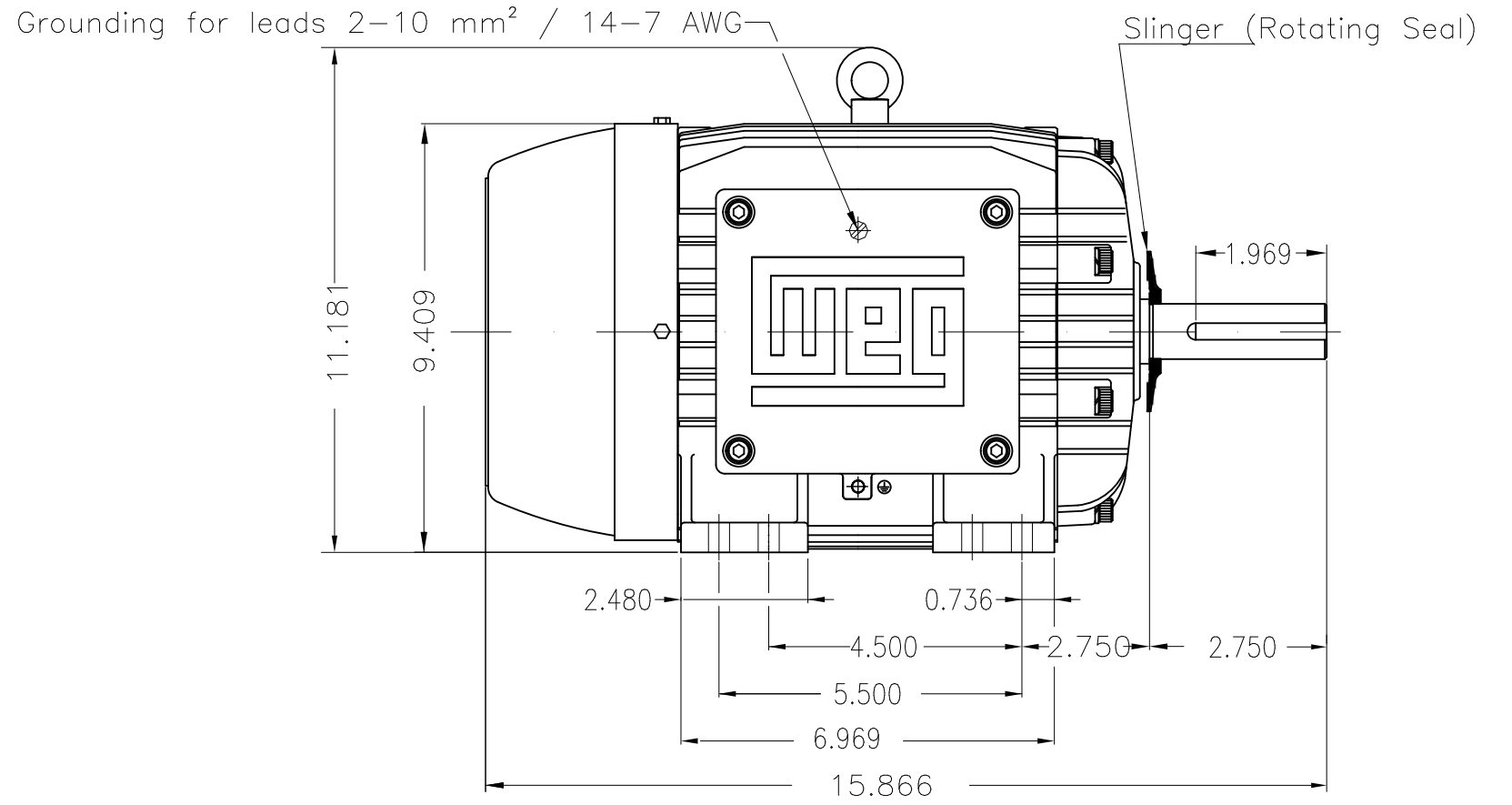
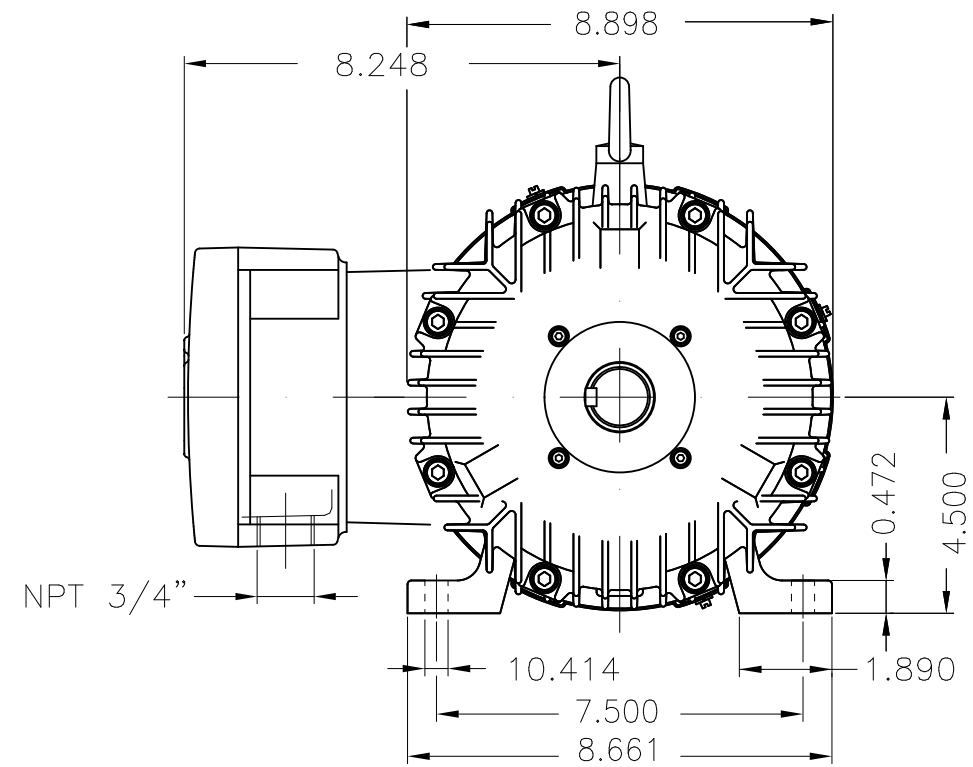


Performance : 575 V 60 Hz 2P

Rated current : 4.88 A
 LRC : 7.5
 Rated torque : 7.52 ft.lb
 Locked rotor torque : 250 %
 Breakdown torque : 380 %
 Rated speed : 3490 rpm

Moment of inertia (J) : 0.1889 sq.ft.lb
 Duty cycle : Cont.(S1)
 Insulation class : F
 Service factor : 1.15
 Temperature rise : 80 K
 Design : B

Rev.	Changes Summary	Performed	Checked	Date
Performed by				Page 7 / 7
Checked by				
Date	13/04/2022			



Color RAL 5009
 Painting plan 202P
 Mounting NEMA F-1
 Mounting B3R(D)

5 HP 02 Poles 60 Hz

ECM	LOC	SUMMARY OF MODIFICATIONS	EXECUTED	CHECKED	RELEASED	DATE	VER
EXECUTED	PIRWBUSER	THREE PH. MOTOR EXPLOSION PROOF PREM. EFF.					
CHECKED		FRAME 182/4T IP55 TEFC					
RELEASED							
REL DT.	WMO	Jaragua do Sul	Product Engineering				

PREVIEW
 WDD



SHEET 1 / 1