

# DATA SHEET

## Three Phase Induction Motor - Squirrel Cage



Customer :				
Product line	: JM Pump NEMA Premium Efficiency Three-Phase	Product code :	12880366	
		Catalog # :	00712ET3E254JM-S	
Frame	: 254/6JM	Cooling method	: IC411 - TEFC	
Insulation class	: F	Mounting	: F-1	
Duty cycle	: Cont.(S1)	Rotation <sup>1</sup>	: Both (CW and CCW)	
Ambient temperature	: -20°C to +40°C	Starting method	: Direct On Line	
Altitude	: 1000 m.a.s.l.	Approx. weight <sup>2</sup>	: 224 lb	
Protection degree	: IP55	Moment of inertia (J)	: 2.34 sq.ft.lb	
Design	: B			
Output [HP]	7.5	7.5	7.5	
Poles	6	6	6	
Frequency [Hz]	60	50	50	
Rated voltage [V]	230/460	190/380	220/415	
Rated current [A]	20.0/9.98	24.0/12.0	21.7/11.5	
L. R. Amperes [A]	108/53.9	101/50.4	102/54.1	
LRC [A]	5.4x(Code G)	4.2x(Code D)	4.7x(Code E)	
No load current [A]	10.1/5.03	9.92/4.96	10.1/5.35	
Rated speed [RPM]	1175	965	970	
Slip [%]	2.08	3.50	3.00	
Rated torque [ft.lb]	33.5	40.8	40.6	
Locked rotor torque [%]	200	150	170	
Breakdown torque [%]	229	180	200	
Service factor	1.15	1.00	1.00	
Temperature rise	80 K	105 K	105 K	
Locked rotor time	75s (cold) 42s (hot)	0s (cold) 0s (hot)	0s (cold) 0s (hot)	
Noise level <sup>2</sup>	59.0 dB(A)	57.0 dB(A)	57.0 dB(A)	
Efficiency (%)	25%	88.1	91.0	90.5
	50%	89.5	89.9	89.6
	75%	89.5	89.5	89.8
	100%	91.0	88.0	88.5
Power Factor	25%	0.35	0.40	0.37
	50%	0.58	0.65	0.61
	75%	0.70	0.75	0.72
	100%	0.76	0.79	0.78
Bearing type	: <u>Drive end</u> 6309 Z C3 <u>Non drive end</u> 6208 Z C3	Foundation loads		
Sealing	: V'Ring Without Bearing Seal	Max. traction	: 277 lb	
Lubrication interval	: 20000 h 20000 h	Max. compression	: 501 lb	
Lubricant amount	: 13 g 8 g			
Lubricant type	: Mobil Polyrex EM			
Notes USABLE @208V 22.1A SF 1.00 SFA 22.1A				
This revision replaces and cancel the previous one, which must be eliminated. (1) Looking the motor from the shaft end. (2) Measured at 1m and with tolerance of +3dB(A). (3) Approximate weight subject to changes after manufacturing process. (4) At 100% of full load.		These are average values based on tests with sinusoidal power supply, subject to the tolerances stipulated in NEMA MG-1.		
Rev.	Changes Summary	Performed	Checked	Date
Performed by				
Checked by			Page	Revision
Date	13/04/2022		1 / 16	

# TORQUE AND CURRENT VS SPEED CURVE

Three Phase Induction Motor - Squirrel Cage



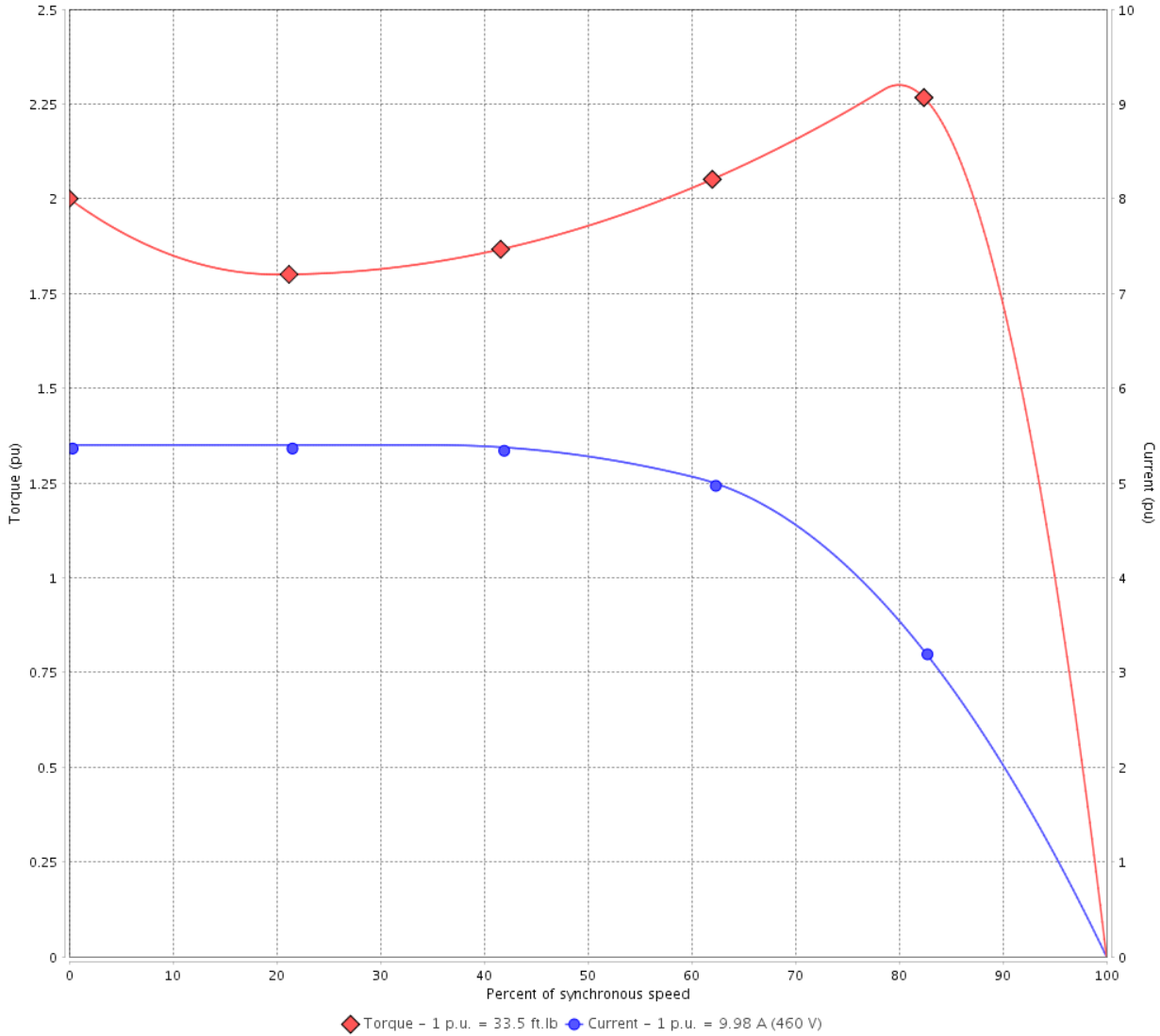
Customer :

Product line : JM Pump NEMA Premium Efficiency Three-Phase

Product code : 12880366

Catalog # : 00712ET3E254JM-S

TORQUE AND CURRENT VS SPEED CURVE



Performance : 230/460 V 60 Hz 6P

Rated current	: 20.0/9.98 A	Moment of inertia (J)	: 2.34 sq.ft.lb
LRC	: 5.4	Duty cycle	: Cont.(S1)
Rated torque	: 33.5 ft.lb	Insulation class	: F
Locked rotor torque	: 200 %	Service factor	: 1.15
Breakdown torque	: 229 %	Temperature rise	: 80 K
Rated speed	: 1175 rpm	Design	: B

Locked rotor time : 75s (cold) 42s (hot)

Rev.	Changes Summary	Performed	Checked	Date
Performed by			Page 2 / 16	Revision
Checked by				
Date	13/04/2022			

# TORQUE AND CURRENT VS SPEED CURVE



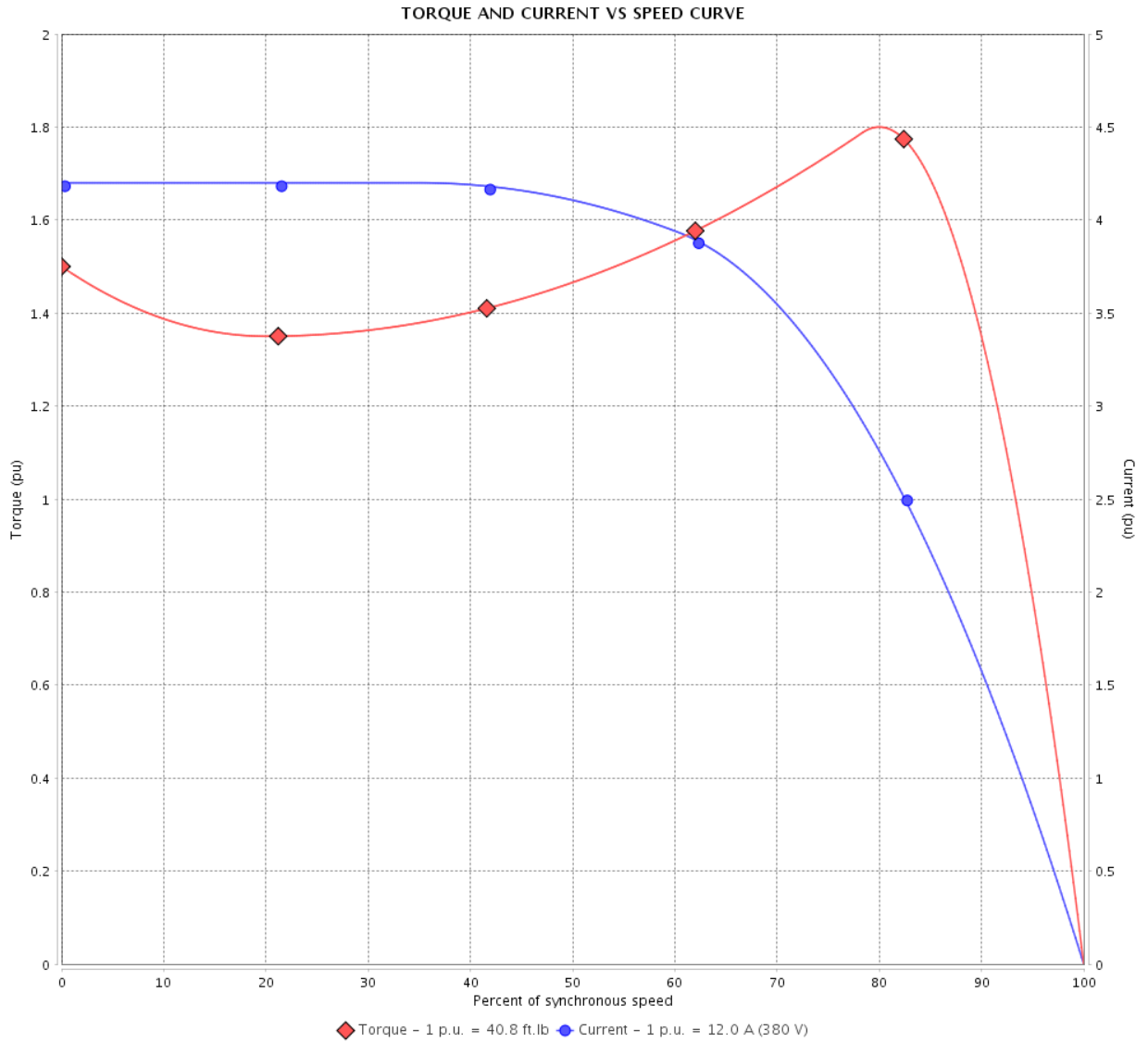
## Three Phase Induction Motor - Squirrel Cage

Customer :

Product line : JM Pump NEMA Premium Efficiency Three-Phase

Product code : 12880366

Catalog # : 00712ET3E254JM-S



Performance : 190/380 V 50 Hz 6P

Rated current : 24.0/12.0 A  
 LRC : 4.2  
 Rated torque : 40.8 ft.lb  
 Locked rotor torque : 150 %  
 Breakdown torque : 180 %  
 Rated speed : 965 rpm

Moment of inertia (J) : 2.34 sq.ft.lb  
 Duty cycle : Cont.(S1)  
 Insulation class : F  
 Service factor : 1.00  
 Temperature rise : 105 K  
 Design : B

Locked rotor time : 0s (cold) 0s (hot)

Rev.	Changes Summary	Performed	Checked	Date
Performed by			Page 3 / 16	Revision
Checked by				
Date	13/04/2022			

# TORQUE AND CURRENT VS SPEED CURVE

Three Phase Induction Motor - Squirrel Cage



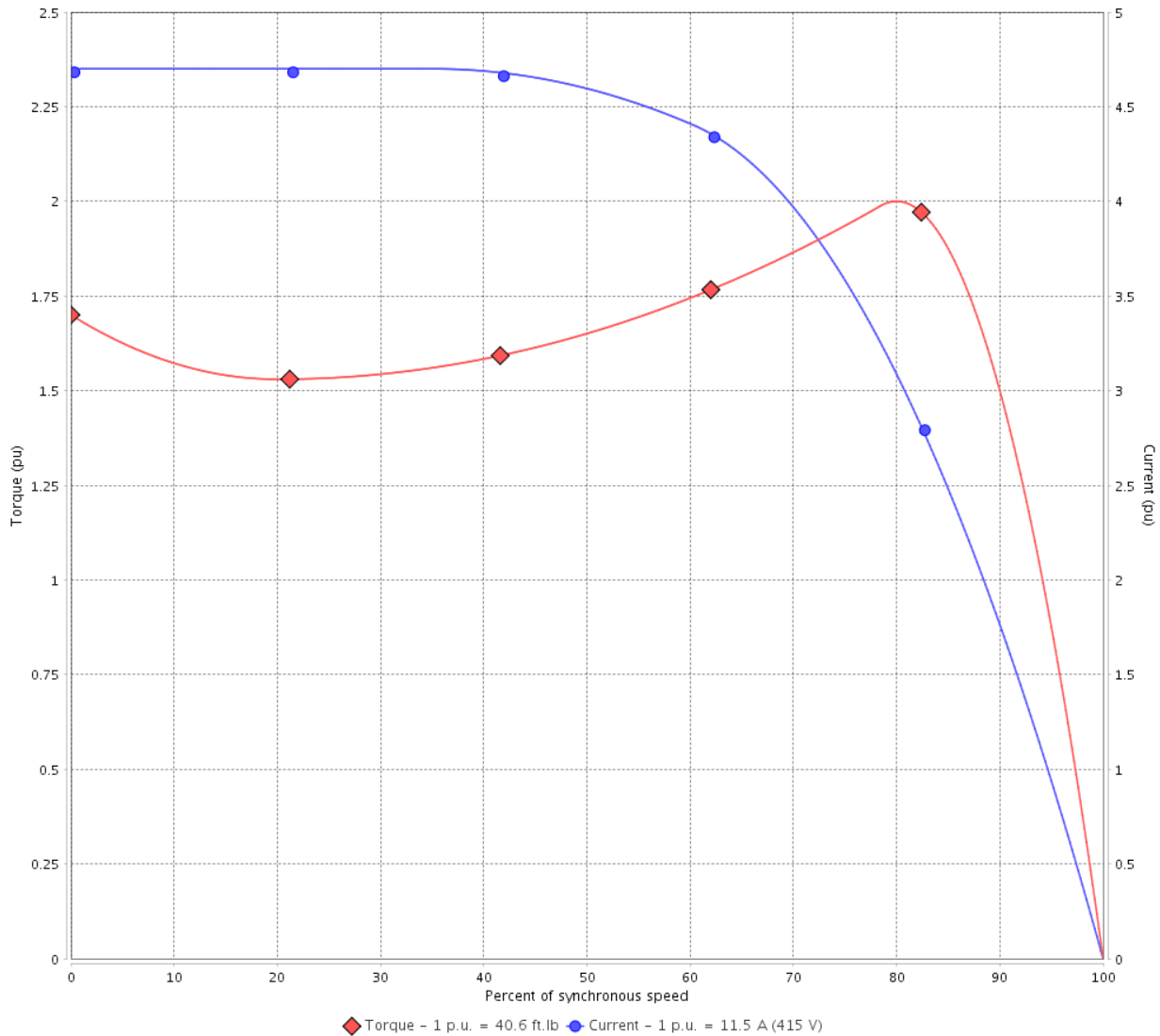
Customer :

Product line : JM Pump NEMA Premium  
Efficiency Three-Phase

Product code : 12880366

Catalog # : 00712ET3E254JM-S

TORQUE AND CURRENT VS SPEED CURVE



Performance : 220/415 V 50 Hz 6P

Rated current	: 21.7/11.5 A	Moment of inertia (J)	: 2.34 sq.ft.lb
LRC	: 4.7	Duty cycle	: Cont.(S1)
Rated torque	: 40.6 ft.lb	Insulation class	: F
Locked rotor torque	: 170 %	Service factor	: 1.00
Breakdown torque	: 200 %	Temperature rise	: 105 K
Rated speed	: 970 rpm	Design	: B

Locked rotor time : 0s (cold) 0s (hot)

Rev.	Changes Summary	Performed	Checked	Date
Performed by			Page 4 / 16	Revision
Checked by				
Date	13/04/2022			

# LOAD PERFORMANCE CURVE

## Three Phase Induction Motor - Squirrel Cage

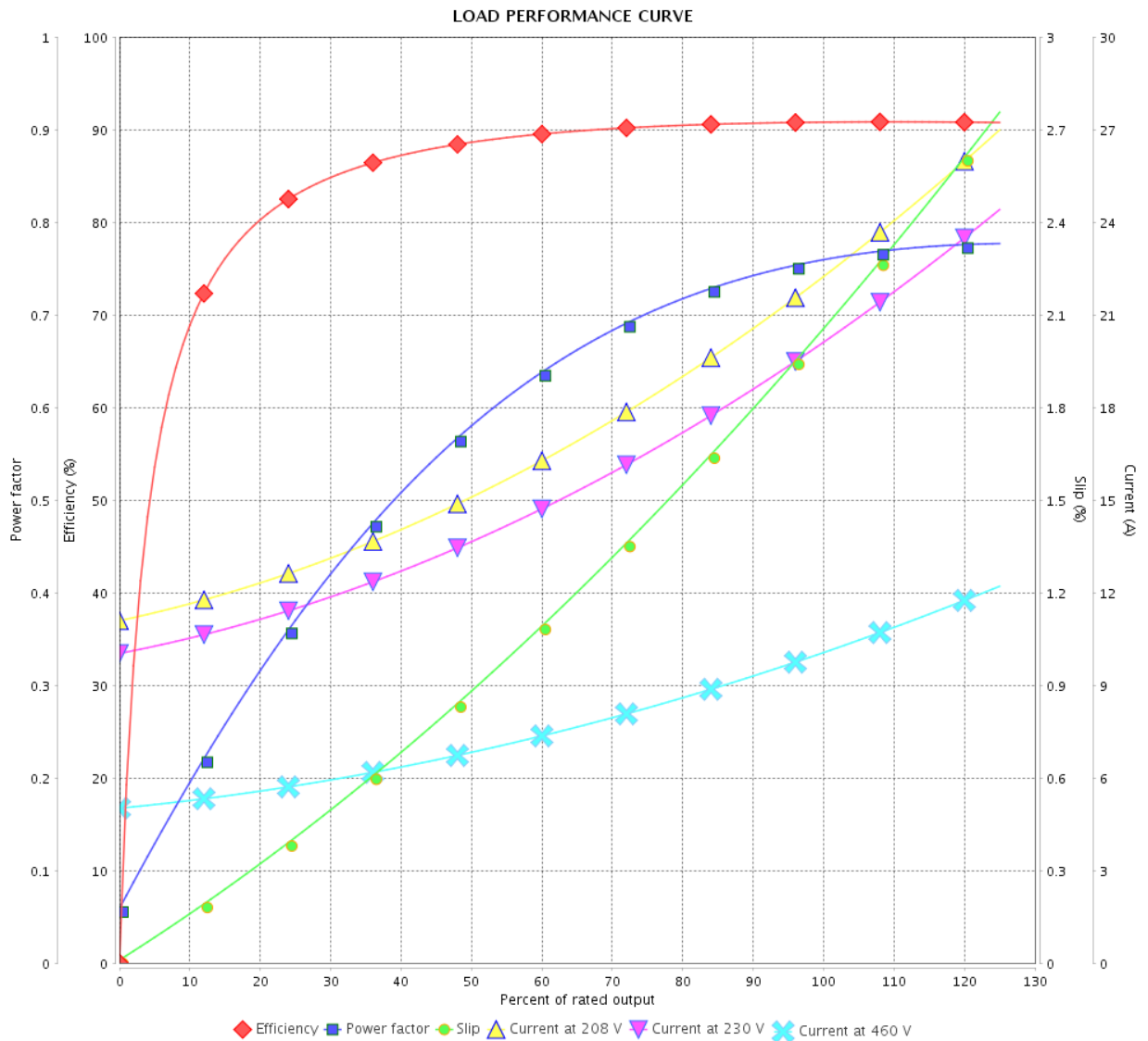


Customer :

Product line : JM Pump NEMA Premium Efficiency Three-Phase

Product code : 12880366

Catalog # : 00712ET3E254JM-S



Performance : 230/460 V 60 Hz 6P

Rated current : 20.0/9.98 A  
 LRC : 5.4  
 Rated torque : 33.5 ft.lb  
 Locked rotor torque : 200 %  
 Breakdown torque : 229 %  
 Rated speed : 1175 rpm

Moment of inertia (J) : 2.34 sq.ft.lb  
 Duty cycle : Cont.(S1)  
 Insulation class : F  
 Service factor : 1.15  
 Temperature rise : 80 K  
 Design : B

Rev.	Changes Summary	Performed	Checked	Date
Performed by			Page	Revision
Checked by				
Date				

# LOAD PERFORMANCE CURVE

Three Phase Induction Motor - Squirrel Cage



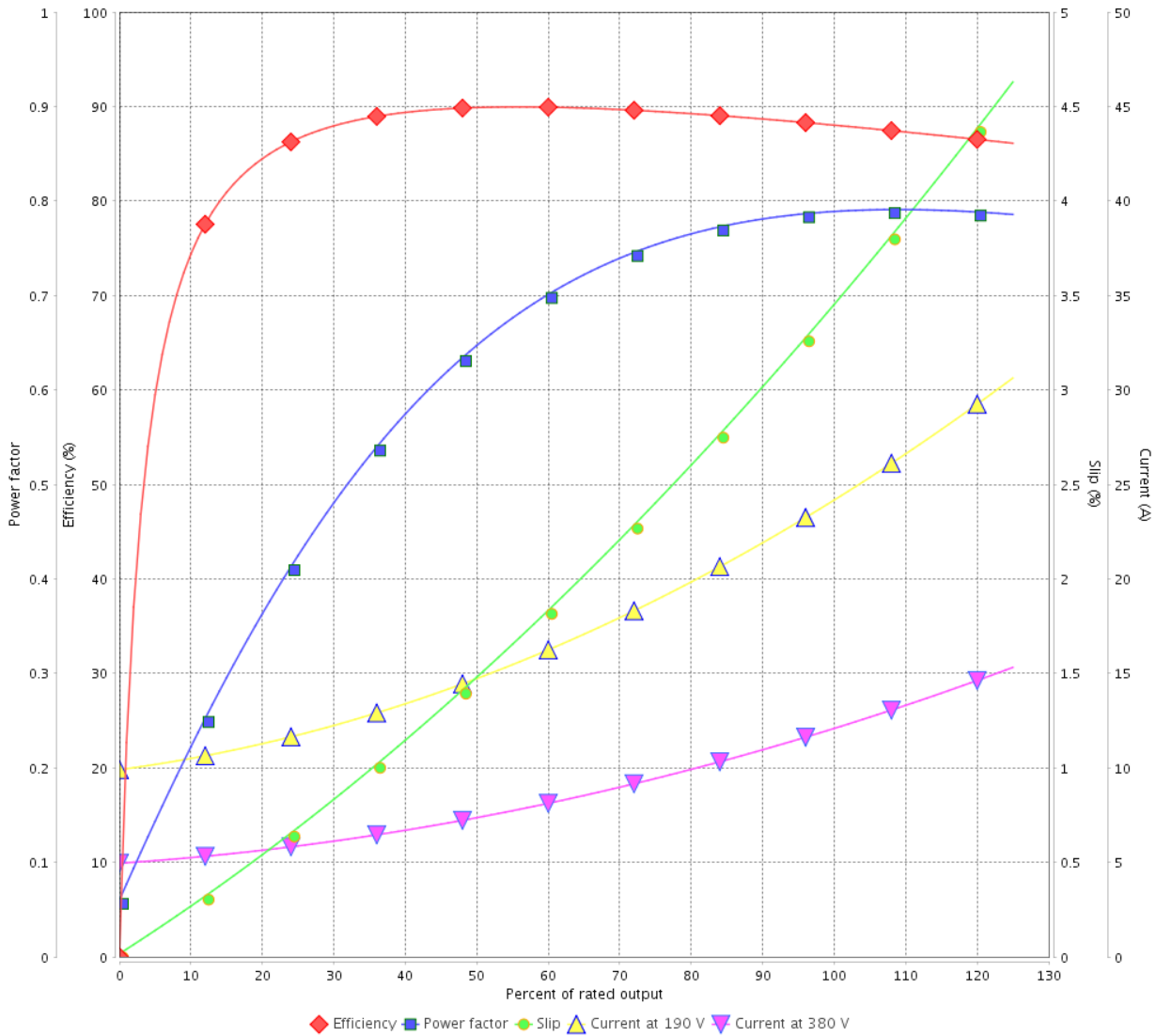
Customer :

Product line : JM Pump NEMA Premium  
Efficiency Three-Phase

Product code : 12880366

Catalog # : 00712ET3E254JM-S

LOAD PERFORMANCE CURVE



Performance : 190/380 V 50 Hz 6P

Rated current : 24.0/12.0 A  
LRC : 4.2  
Rated torque : 40.8 ft.lb  
Locked rotor torque : 150 %  
Breakdown torque : 180 %  
Rated speed : 965 rpm

Moment of inertia (J) : 2.34 sq.ft.lb  
Duty cycle : Cont.(S1)  
Insulation class : F  
Service factor : 1.00  
Temperature rise : 105 K  
Design : B

Rev.	Changes Summary	Performed	Checked	Date
Performed by			Page	Revision
Checked by				
Date				

# LOAD PERFORMANCE CURVE

## Three Phase Induction Motor - Squirrel Cage

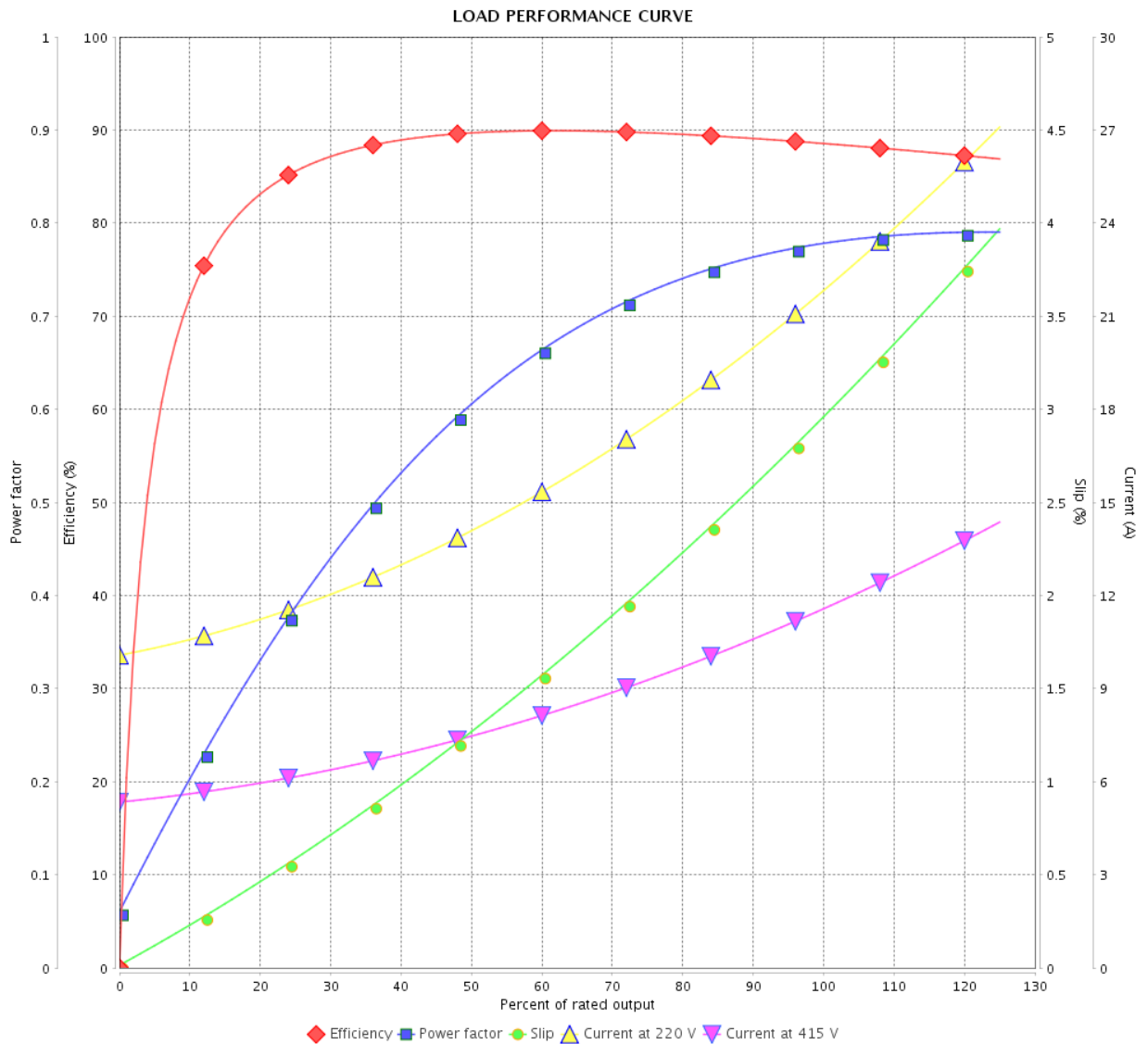


Customer :

Product line : JM Pump NEMA Premium  
Efficiency Three-Phase

Product code : 12880366

Catalog # : 00712ET3E254JM-S



Performance : 220/415 V 50 Hz 6P

Rated current : 21.7/11.5 A  
 LRC : 4.7  
 Rated torque : 40.6 ft.lb  
 Locked rotor torque : 170 %  
 Breakdown torque : 200 %  
 Rated speed : 970 rpm

Moment of inertia (J) : 2.34 sq.ft.lb  
 Duty cycle : Cont.(S1)  
 Insulation class : F  
 Service factor : 1.00  
 Temperature rise : 105 K  
 Design : B

Rev.	Changes Summary	Performed	Checked	Date
Performed by		Page		Revision
Checked by		7 / 16		
Date		13/04/2022		

# THERMAL LIMIT CURVE



## Three Phase Induction Motor - Squirrel Cage

Customer :

Product line : JM Pump NEMA Premium  
Efficiency Three-Phase

Product code : 12880366

Catalog # : 00712ET3E254JM-S

Performance : 230/460 V 60 Hz 6P

Rated current : 20.0/9.98 A  
LRC : 5.4  
Rated torque : 33.5 ft.lb  
Locked rotor torque : 200 %  
Breakdown torque : 229 %  
Rated speed : 1175 rpm

Moment of inertia (J) : 2.34 sq.ft.lb  
Duty cycle : Cont.(S1)  
Insulation class : F  
Service factor : 1.15  
Temperature rise : 80 K  
Design : B

Heating constant

Cooling constant

Rev.	Changes Summary	Performed	Checked	Date
Performed by				
Checked by			Page	Revision
Date	13/04/2022		8 / 16	

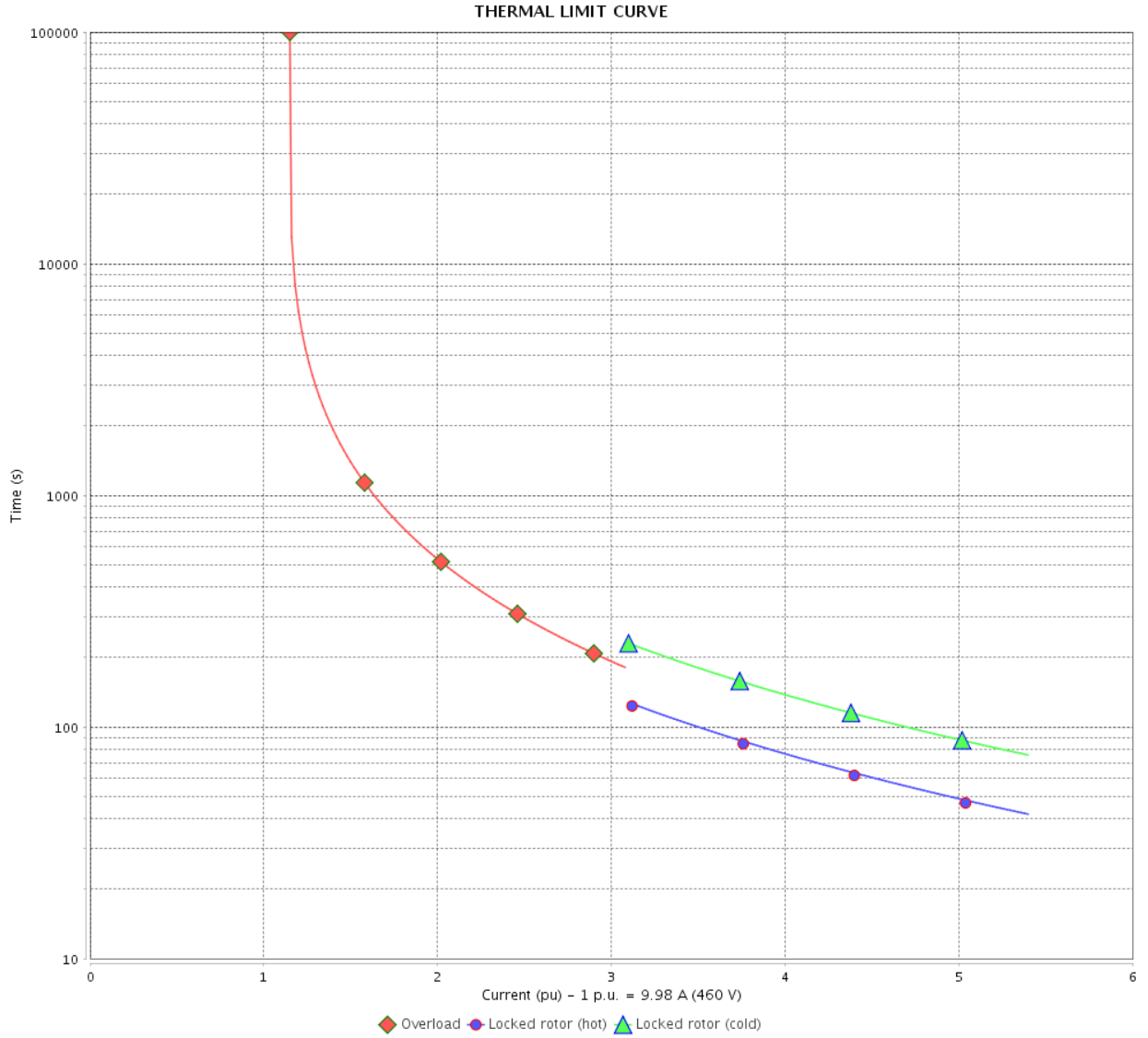


# THERMAL LIMIT CURVE

Three Phase Induction Motor - Squirrel Cage



Customer : \_\_\_\_\_



Rev.	Changes Summary	Performed	Checked	Date
Performed by				
Checked by				
Date				
			Page	Revision
			9 / 16	

# THERMAL LIMIT CURVE



## Three Phase Induction Motor - Squirrel Cage

Customer :

Product line : JM Pump NEMA Premium  
Efficiency Three-Phase

Product code : 12880366

Catalog # : 00712ET3E254JM-S

Performance : 190/380 V 50 Hz 6P

Rated current : 24.0/12.0 A  
LRC : 4.2  
Rated torque : 40.8 ft.lb  
Locked rotor torque : 150 %  
Breakdown torque : 180 %  
Rated speed : 965 rpm

Moment of inertia (J) : 2.34 sq.ft.lb  
Duty cycle : Cont.(S1)  
Insulation class : F  
Service factor : 1.00  
Temperature rise : 105 K  
Design : B

Heating constant

Cooling constant

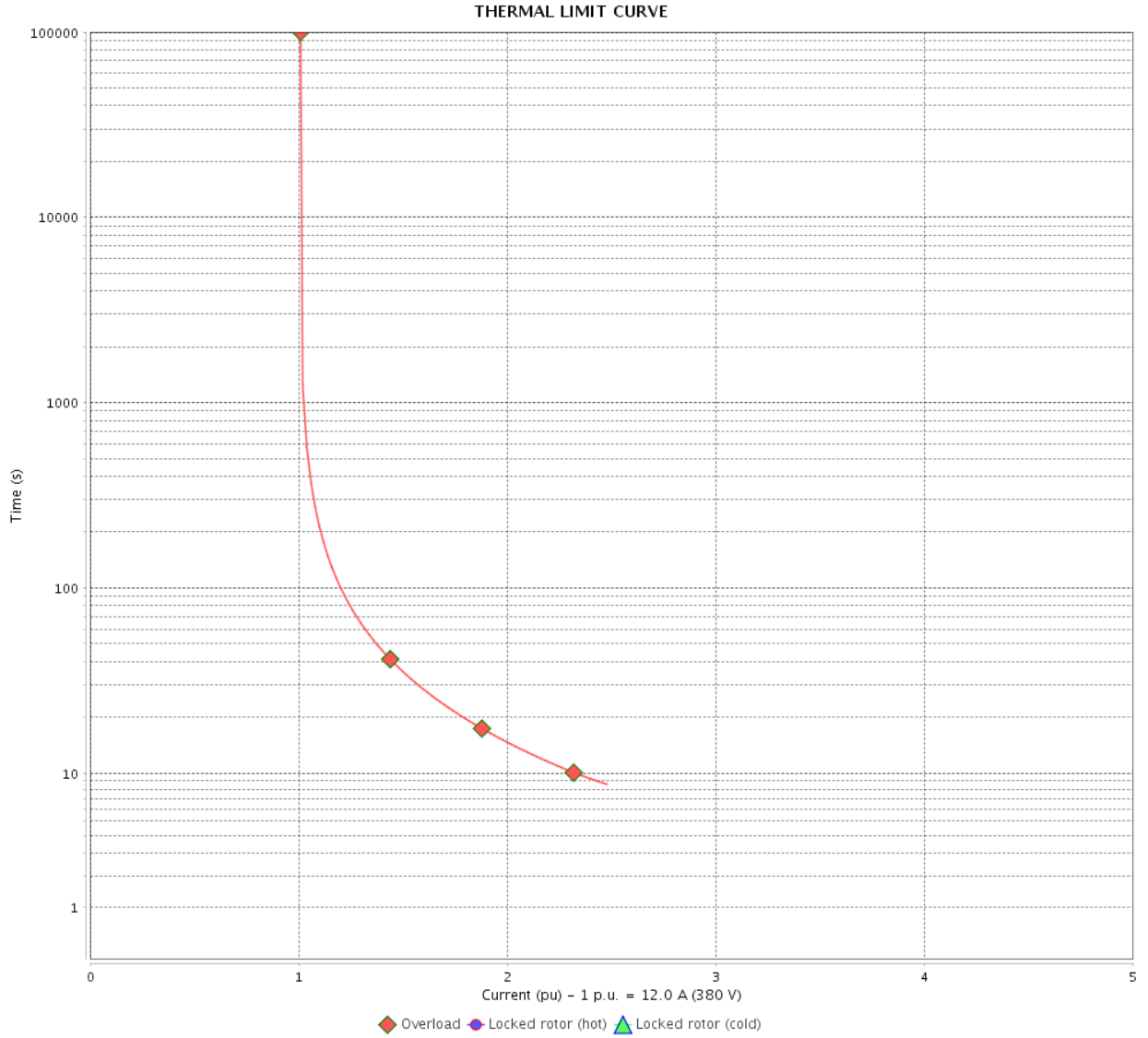
Rev.	Changes Summary	Performed	Checked	Date
Performed by				
Checked by			Page	Revision
Date	13/04/2022		10 / 16	

# THERMAL LIMIT CURVE

Three Phase Induction Motor - Squirrel Cage



Customer : \_\_\_\_\_



Rev.	Changes Summary	Performed	Checked	Date
Performed by				
Checked by				
Date				
			Page	Revision
			11 / 16	

# THERMAL LIMIT CURVE



## Three Phase Induction Motor - Squirrel Cage

Customer :

Product line : JM Pump NEMA Premium  
Efficiency Three-Phase

Product code : 12880366

Catalog # : 00712ET3E254JM-S

Performance : 220/415 V 50 Hz 6P

Rated current : 21.7/11.5 A  
LRC : 4.7  
Rated torque : 40.6 ft.lb  
Locked rotor torque : 170 %  
Breakdown torque : 200 %  
Rated speed : 970 rpm

Moment of inertia (J) : 2.34 sq.ft.lb  
Duty cycle : Cont.(S1)  
Insulation class : F  
Service factor : 1.00  
Temperature rise : 105 K  
Design : B

Heating constant

Cooling constant

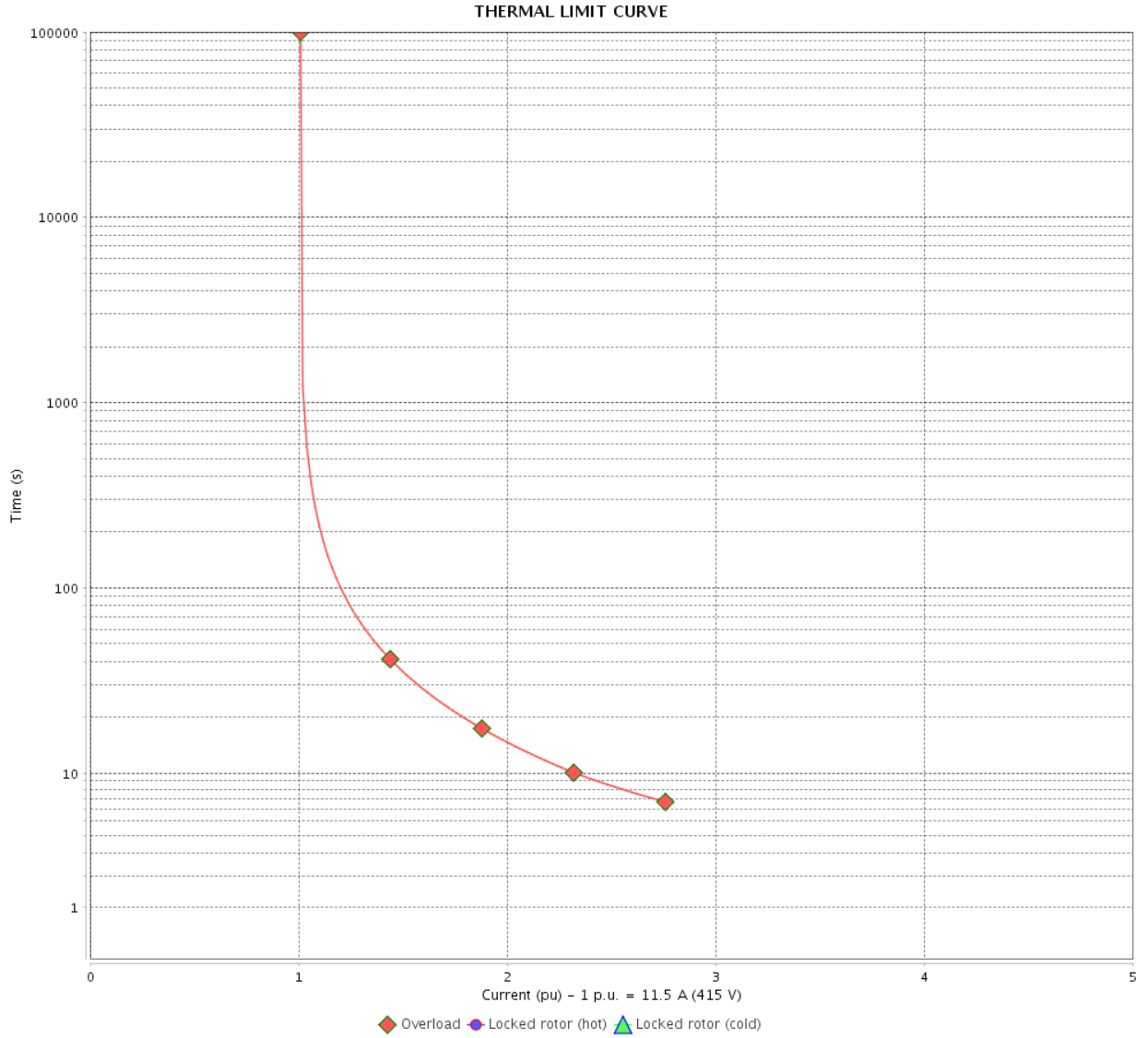
Rev.	Changes Summary	Performed	Checked	Date
Performed by				
Checked by			Page	Revision
Date	13/04/2022		12 / 16	

# THERMAL LIMIT CURVE

Three Phase Induction Motor - Squirrel Cage



Customer : \_\_\_\_\_



Rev.	Changes Summary	Performed	Checked	Date
Performed by		Page		Revision
Checked by		13 / 16		
Date		13/04/2022		

# VFD OPERATION CURVE

Three Phase Induction Motor - Squirrel Cage



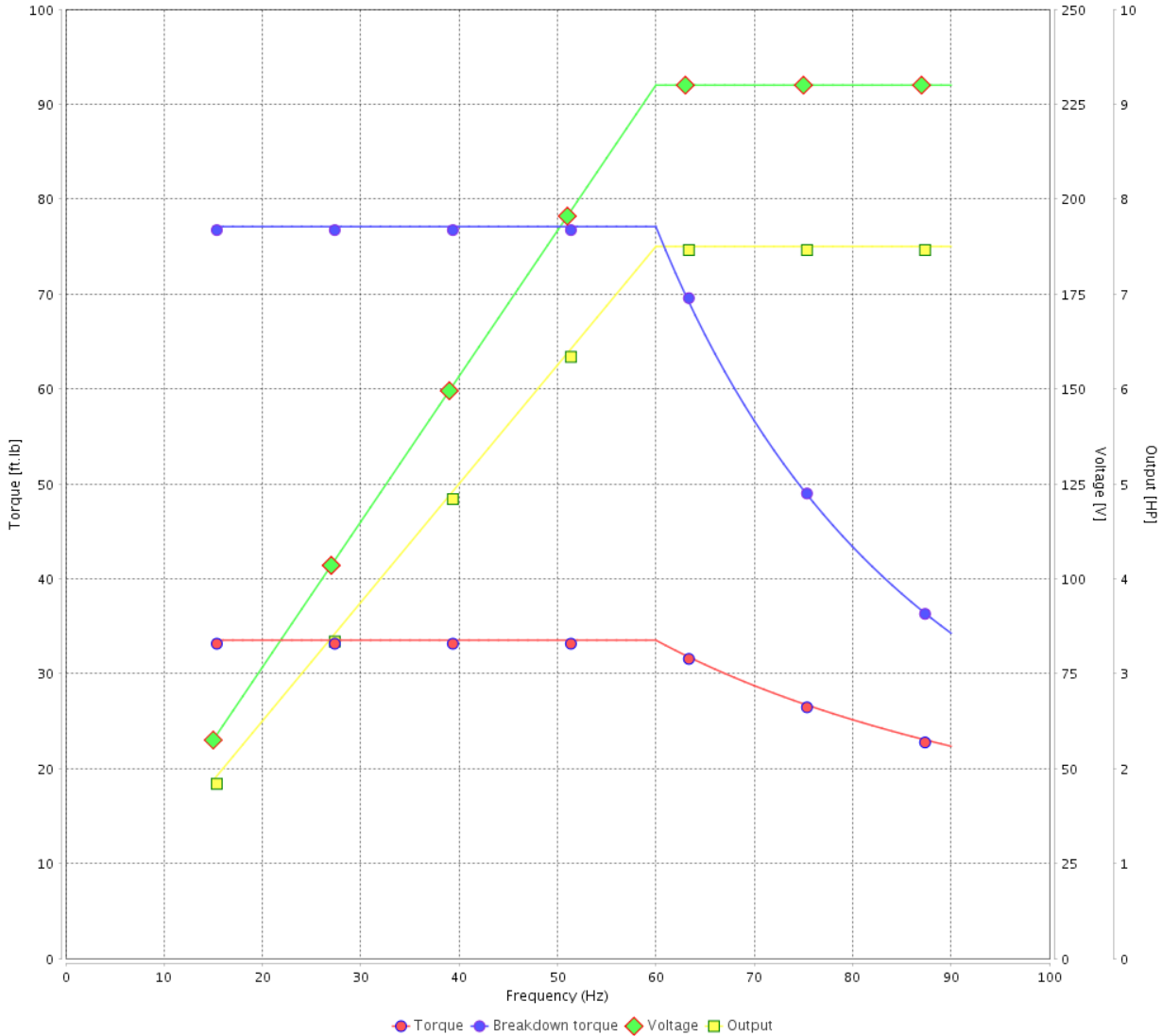
Customer :

Product line : JM Pump NEMA Premium Efficiency Three-Phase

Product code : 12880366

Catalog # : 00712ET3E254JM-S

VFD OPERATION CURVE



Performance : 230/460 V 60 Hz 6P

Rated current : 20.0/9.98 A  
 LRC : 5.4  
 Rated torque : 33.5 ft.lb  
 Locked rotor torque : 200 %  
 Breakdown torque : 229 %  
 Rated speed : 1175 rpm

Moment of inertia (J) : 2.34 sq.ft.lb  
 Duty cycle : Cont.(S1)  
 Insulation class : F  
 Service factor : 1.15  
 Temperature rise : 80 K  
 Design : B

Rev.	Changes Summary	Performed	Checked	Date
Performed by			Page 14 / 16	Revision
Checked by				
Date	13/04/2022			

# VFD OPERATION CURVE

Three Phase Induction Motor - Squirrel Cage

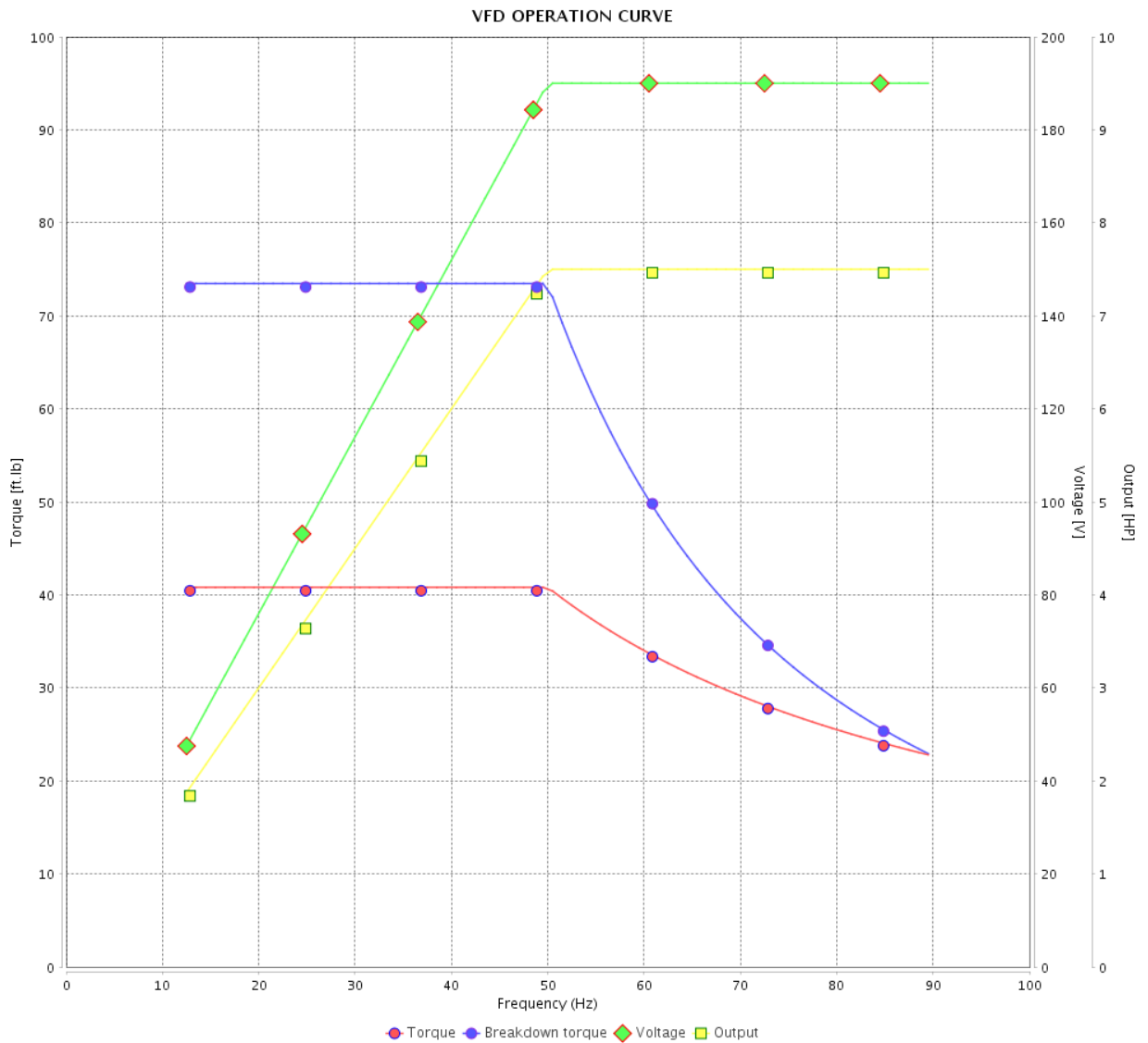


Customer :

Product line : JM Pump NEMA Premium Efficiency Three-Phase

Product code : 12880366

Catalog # : 00712ET3E254JM-S



Performance : 190/380 V 50 Hz 6P

Rated current : 24.0/12.0 A  
 LRC : 4.2  
 Rated torque : 40.8 ft.lb  
 Locked rotor torque : 150 %  
 Breakdown torque : 180 %  
 Rated speed : 965 rpm

Moment of inertia (J) : 2.34 sq.ft.lb  
 Duty cycle : Cont.(S1)  
 Insulation class : F  
 Service factor : 1.00  
 Temperature rise : 105 K  
 Design : B

Rev.	Changes Summary	Performed	Checked	Date
Performed by		Page		Revision
Checked by		15 / 16		
Date		13/04/2022		

# VFD OPERATION CURVE

Three Phase Induction Motor - Squirrel Cage



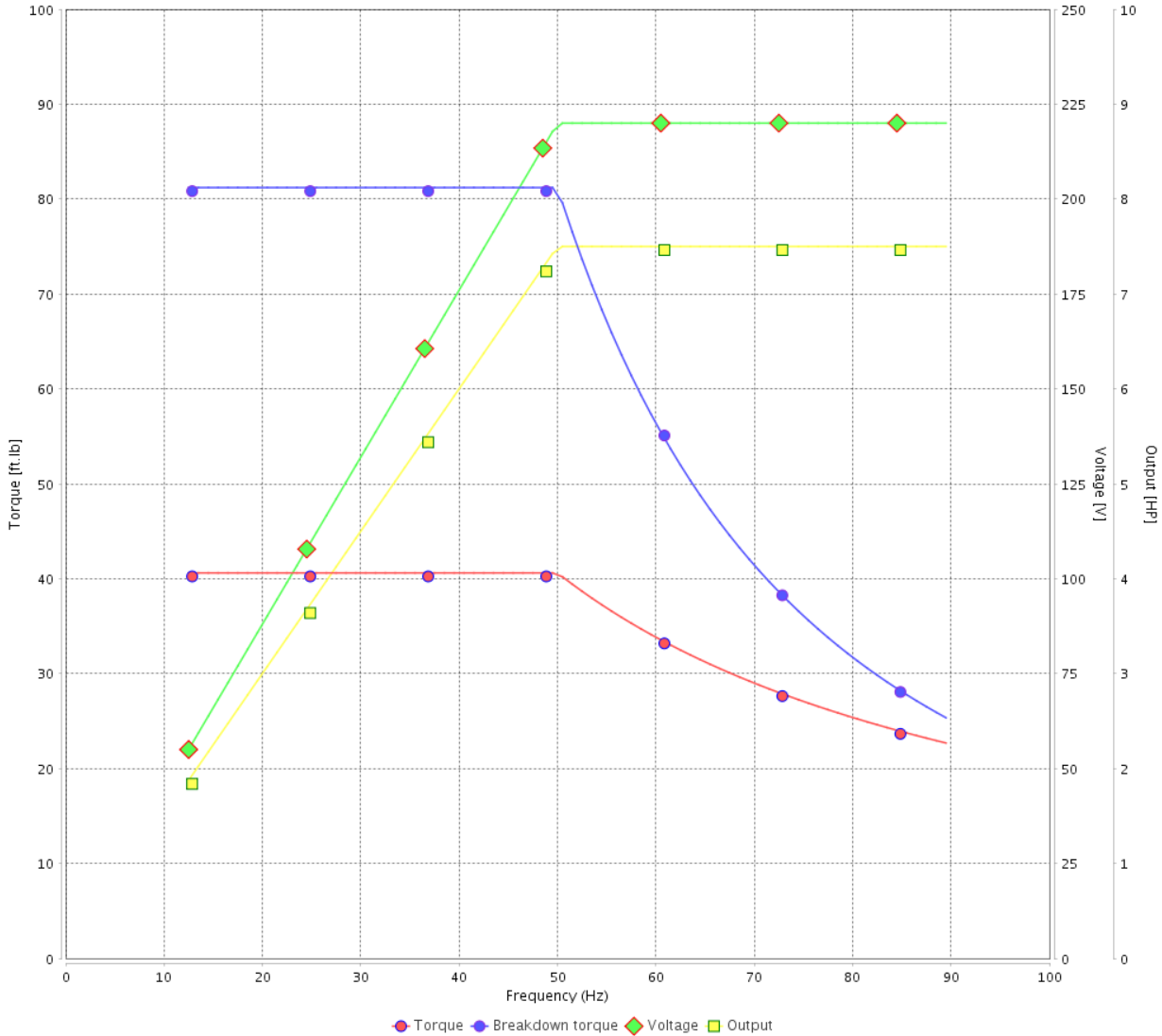
Customer :

Product line : JM Pump NEMA Premium Efficiency Three-Phase

Product code : 12880366

Catalog # : 00712ET3E254JM-S

VFD OPERATION CURVE



Performance : 220/415 V 50 Hz 6P

Rated current : 21.7/11.5 A  
 LRC : 4.7  
 Rated torque : 40.6 ft.lb  
 Locked rotor torque : 170 %  
 Breakdown torque : 200 %  
 Rated speed : 970 rpm

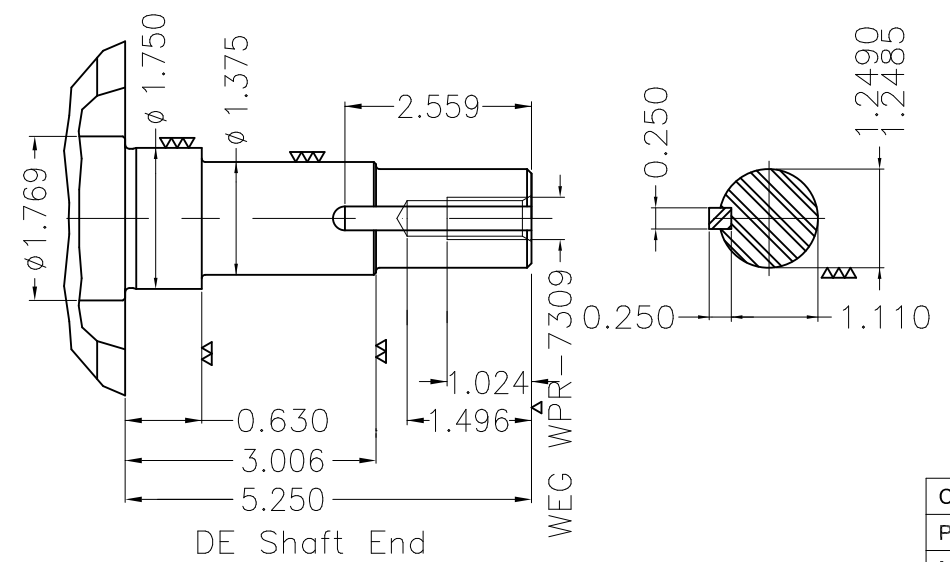
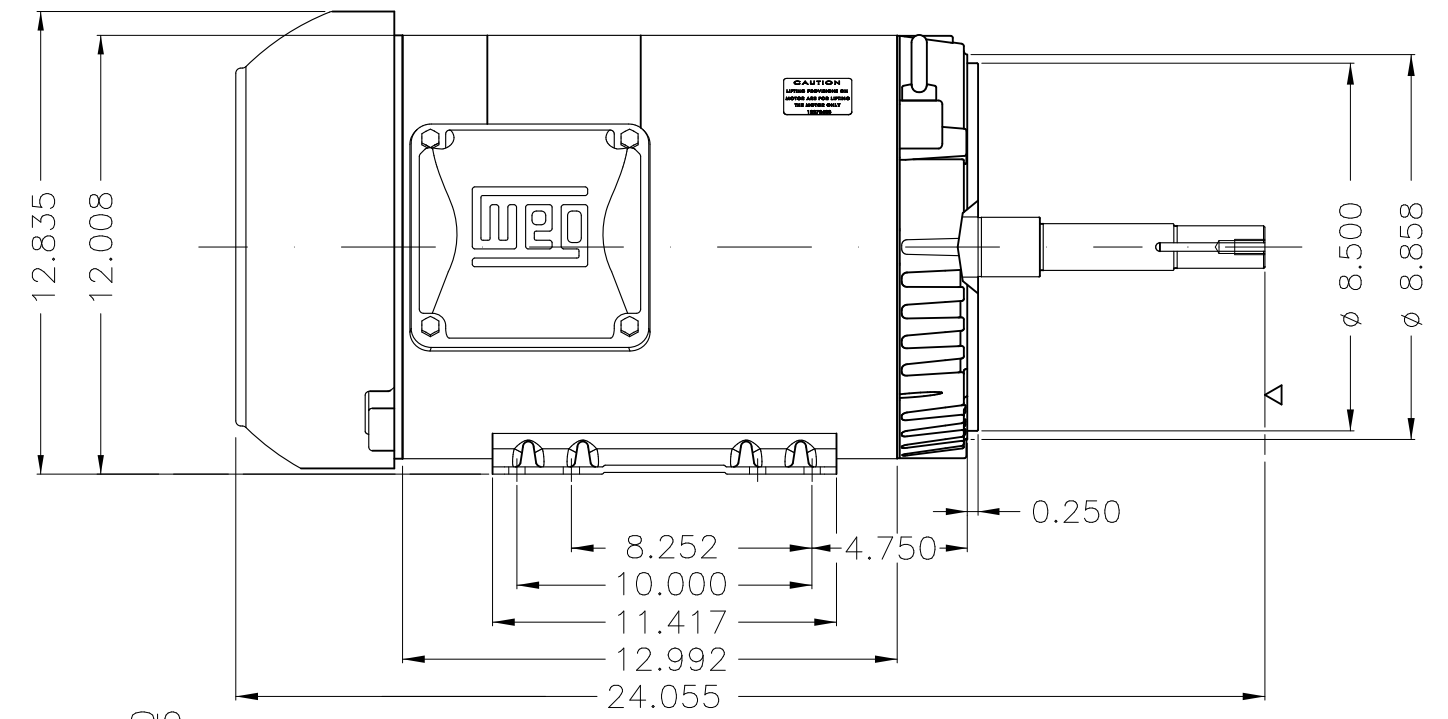
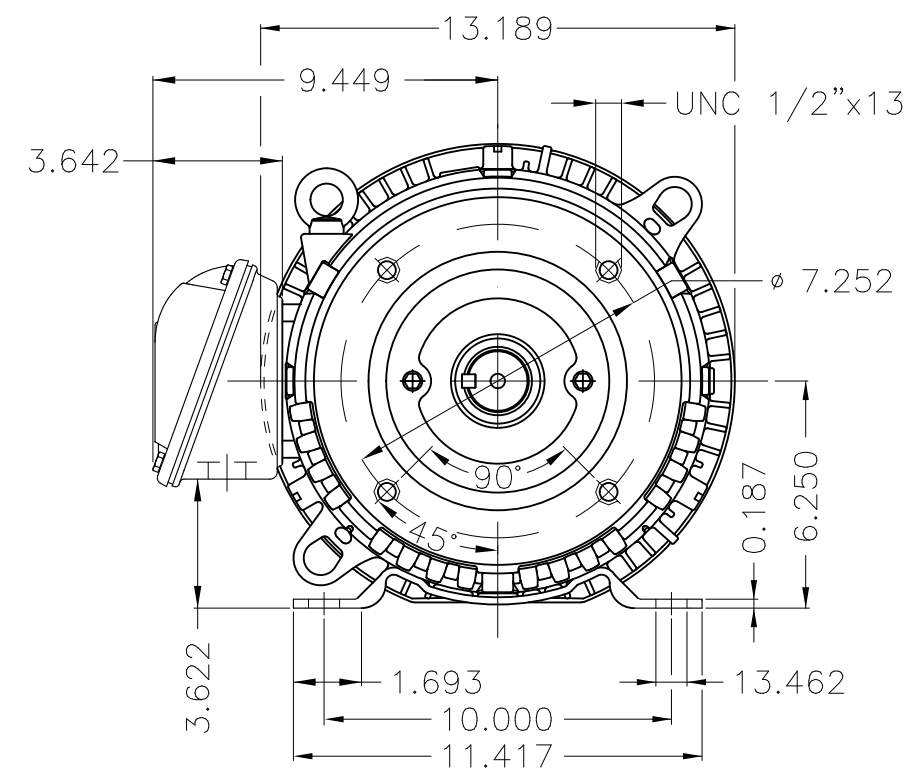
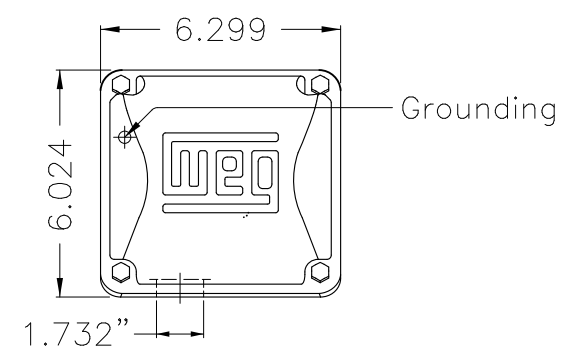
Moment of inertia (J) : 2.34 sq.ft.lb  
 Duty cycle : Cont.(S1)  
 Insulation class : F  
 Service factor : 1.00  
 Temperature rise : 105 K  
 Design : B

Rev.	Changes Summary	Performed	Checked	Date
Performed by			Page 16 / 16	Revision
Checked by				
Date	13/04/2022			



1 2 3 4 5 6

A  
B  
C  
D  
E



EUNC 1/2"-13 WEG WPR-7309

DE Shaft End

Color Munsell N 1 matte black  
 Painting plan 207N  
 Mounting F-1/B34R(D)

ECM	LOC	SUMMARY OF MODIFICATIONS	EXECUTED	CHECKED	RELEASED	DATE	VER
EXECUTED	PIRWBUSER	THREE PH. MOTOR ROLLED STEEL CLOSE COUPLED PUMP JN TYPE PSE 1/2"					
CHECKED		FRAME 254/6JM IP55 TEFC					
RELEASED							
REL DT.	WMO	Jaragua do Sul	Product Engineering	WDD	SHEET	1 / 1	

7.5 HP 06 Poles 60 Hz





**NEMA**  
**Premium**



MADE IN MEXICO

**MAT: 12880366 CC029A**  
**W01.TE0IC0X0N**  
**MODEL 00712ET3E254JM-S**  
**11OCT2021 S/N:**

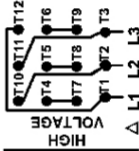
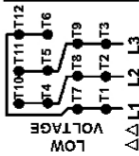
**For 60Hz: Class I, Zone 2, IIC**  
**Class I, Div.2, Gr. A,B,C,D - T3**  
**Div 2 Inverter Duty (SF1.00)**  
**CT 2:1/VT 1000:1**

PH 3	Hz 60	HP 7.5
FR 254/6JM		KW 5.5
DUTY CONT.		V 230/460
ALT 1000 m.a.s.l.		A 20.0/9.98
INS CL F AT 80K	IP55	SFA 23.0/11.5
AMB 40°C	DES B	SF 1.15
ENCL TEFC	CODE G	PF 0.76
USABLE @ 208V 22.1A		RPM 1175
SF1.00		NEMA NOM. EFF 91.0%

**ALTERNATE RATING: 7.5HP 50Hz 190-220/380-415V SF1.00**  
**24.0-21.3/12.0-11.3A 985RPM EFF 88.0% (IE3) IEC 60034-1**

For safe area-inverter duty motor For 60Hz use on VPWM 1000:1 VT, 4:1 CT

DE 6309-Z-C3 ODE 6208-Z-C3 MOBIL POLYREX EM 20000h



T1-BLU T2-WHT  
T3-ORG T4-YEL  
T5-BLK T6-GRY  
T7-PNK T8-RED  
T9-BRK RED  
T10-CURRY  
T11-GRN T12-VLT

△△ L1 L2 L3

△ L1 L2 L3

INTERCHANGE ANY TWO LINE WIRES TO REVERSE THE ROTATION



**WARNING:** Motor must be grounded in accordance with local and national electrical codes to prevent serious electrical shocks. Disconnect power source before servicing unit.



**AVERTISSEMENT:** Le moteur doit être mis à la terre conformément aux codes électriques locaux et nationaux afin d'éviter tout choc électrique grave. Déconnectez l'alimentation avant l'entretien de la machine.

