

DATA SHEET

Three Phase Induction Motor - Squirrel Cage



Customer :				
Product line	: JP Pump NEMA Premium Efficiency Three-Phase	Product code :	13500933	
		Catalog # :	00712OT3E254JPV-S	
Frame	: 254/6JP	Cooling method	: IC01 - ODP	
Insulation class	: F	Mounting	: W-6	
Duty cycle	: Cont.(S1)	Rotation ¹	: Both (CW and CCW)	
Ambient temperature	: -20°C to +40°C	Starting method	: Direct On Line	
Altitude	: 1000 m.a.s.l.	Approx. weight ²	: 187 lb	
Design	: B	Moment of inertia (J)	: 2.00 sq.ft.lb	
Output [HP]	7.5	7.5	7.5	
Poles	6	6	6	
Frequency [Hz]	60	50	50	
Rated voltage [V]	230/460	190/380	220/415	
Rated current [A]	20.4/10.2	24.4/12.2	22.1/11.7	
L. R. Amperes [A]	104/52.0	97.6/48.8	99.3/52.6	
LRC [A]	5.1x(Code F)	4.0x(Code D)	4.5x(Code E)	
No load current [A]	10.7/5.37	10.6/5.30	10.8/5.72	
Rated speed [RPM]	1175	970	970	
Slip [%]	2.08	3.00	3.00	
Rated torque [ft.lb]	33.5	40.6	40.6	
Locked rotor torque [%]	200	140	160	
Breakdown torque [%]	229	180	200	
Service factor	1.15	1.15	1.15	
Temperature rise	80 K	80 K	80 K	
Locked rotor time	66s (cold) 37s (hot)	0s (cold) 0s (hot)	0s (cold) 0s (hot)	
Noise level ²	59.0 dB(A)	57.0 dB(A)	57.0 dB(A)	
Efficiency (%)	25%	88.2	90.1	89.8
	50%	88.5	89.3	89.0
	75%	90.2	89.1	89.3
	100%	90.2	88.0	88.1
Power Factor	25%	0.33	0.39	0.35
	50%	0.56	0.63	0.59
	75%	0.68	0.74	0.71
	100%	0.75	0.78	0.77
Bearing type	: <u>Drive end</u> 6309 Z C3 <u>Non drive end</u> 6208 Z C3	Foundation loads		
Sealing	: Without Without Bearing Seal Bearing Seal	Max. traction	: 296 lb	
Lubrication interval	: 20000 h 20000 h	Max. compression	: 483 lb	
Lubricant amount	: 13 g 8 g			
Lubricant type	: Mobil Polyrex EM			
Notes USABLE @208V 22.6A SF 1.00 SFA 22.6A				
This revision replaces and cancel the previous one, which must be eliminated. (1) Looking the motor from the shaft end. (2) Measured at 1m and with tolerance of +3dB(A). (3) Approximate weight subject to changes after manufacturing process. (4) At 100% of full load.		These are average values based on tests with sinusoidal power supply, subject to the tolerances stipulated in NEMA MG-1.		
Rev.	Changes Summary	Performed	Checked	Date
Performed by				
Checked by			Page	Revision
Date	13/04/2022		1 / 16	

TORQUE AND CURRENT VS SPEED CURVE

Three Phase Induction Motor - Squirrel Cage



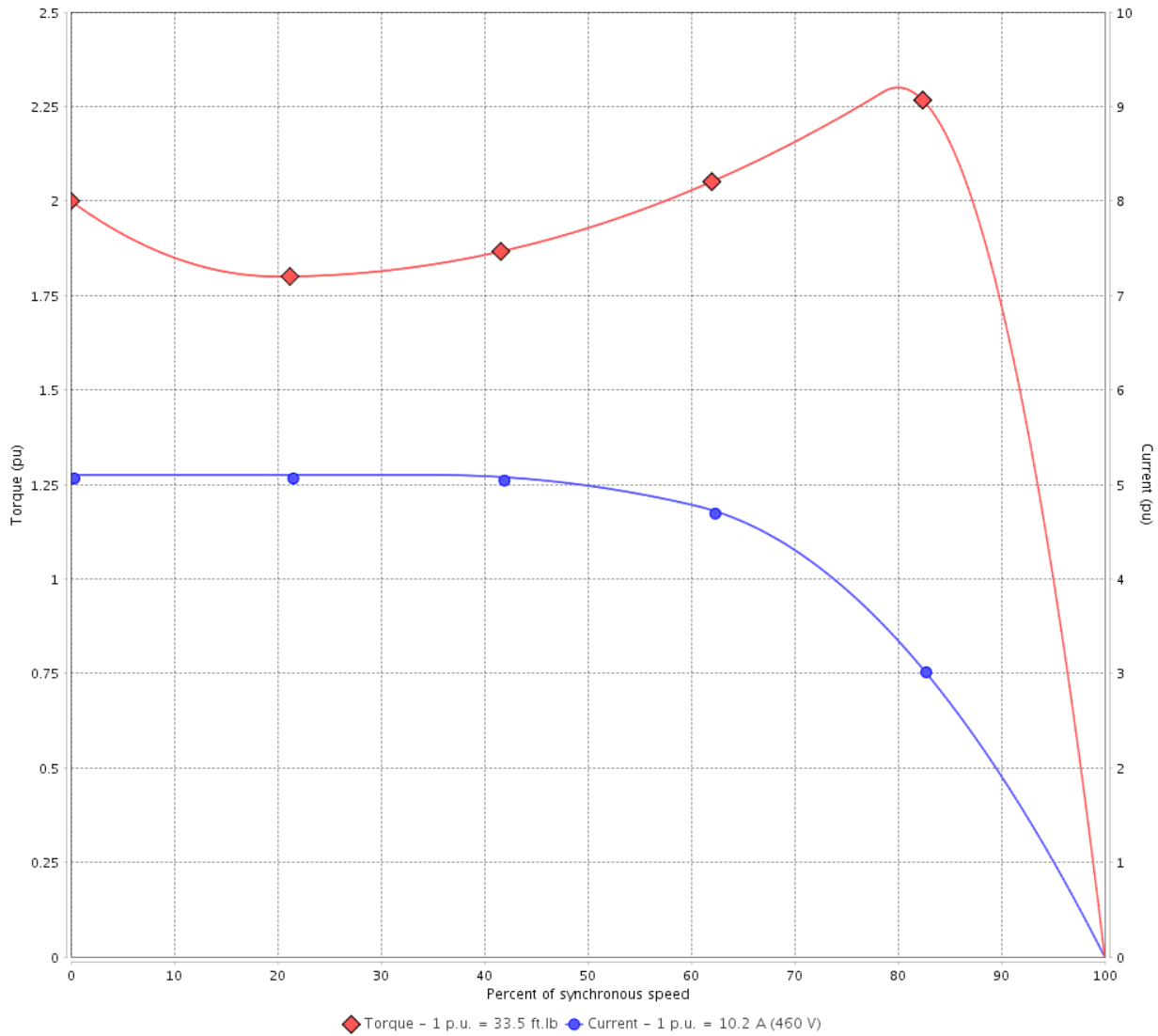
Customer :

Product line : JP Pump NEMA Premium
Efficiency Three-Phase

Product code : 13500933

Catalog # : 007120T3E254JPV-S

TORQUE AND CURRENT VS SPEED CURVE



Performance : 230/460 V 60 Hz 6P

Rated current	: 20.4/10.2 A	Moment of inertia (J)	: 2.00 sq.ft.lb
LRC	: 5.1	Duty cycle	: Cont.(S1)
Rated torque	: 33.5 ft.lb	Insulation class	: F
Locked rotor torque	: 200 %	Service factor	: 1.15
Breakdown torque	: 229 %	Temperature rise	: 80 K
Rated speed	: 1175 rpm	Design	: B

Locked rotor time : 66s (cold) 37s (hot)

Rev.	Changes Summary	Performed	Checked	Date
Performed by			Page 2 / 16	Revision
Checked by				
Date	13/04/2022			

TORQUE AND CURRENT VS SPEED CURVE



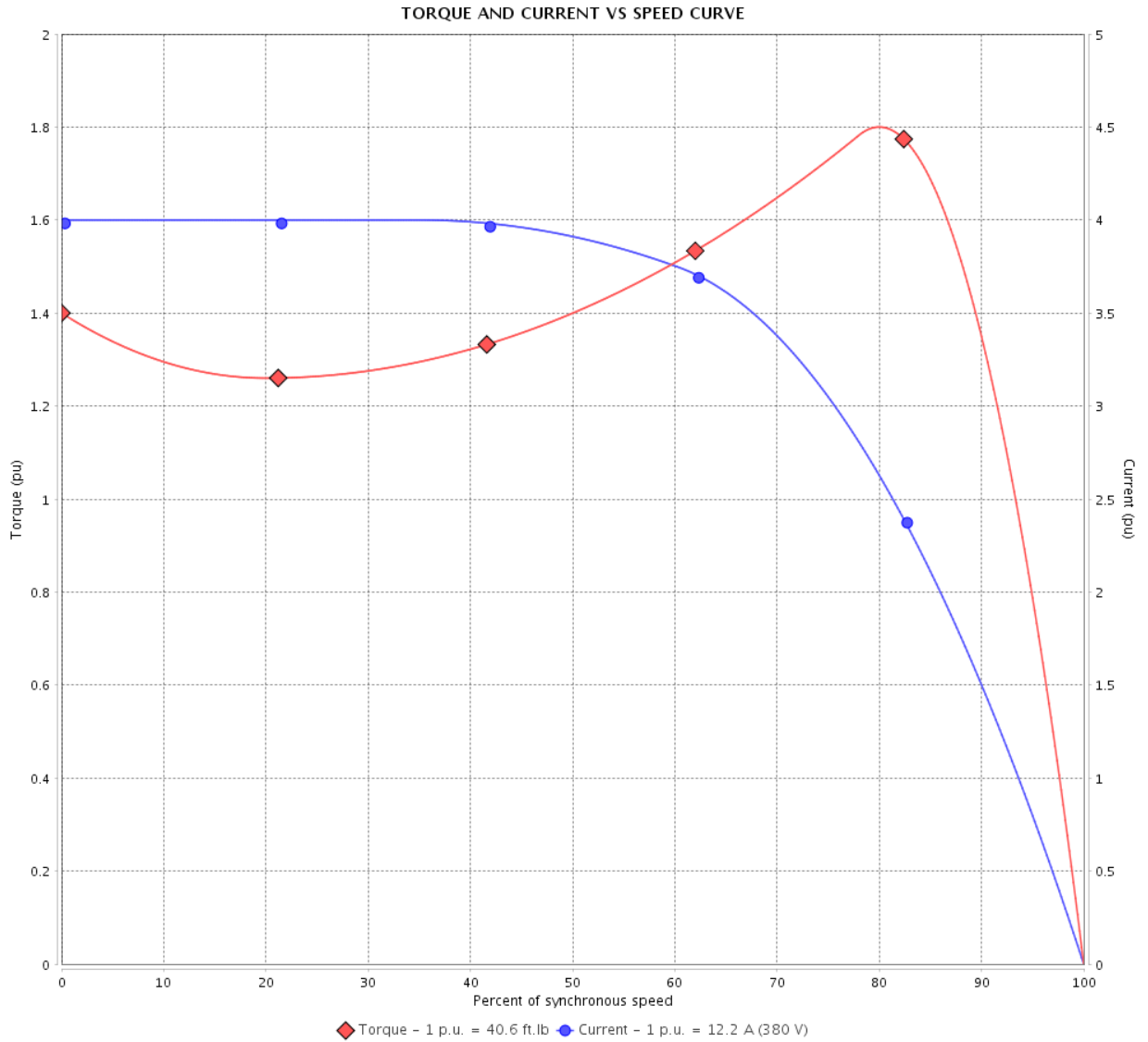
Three Phase Induction Motor - Squirrel Cage

Customer :

Product line : JP Pump NEMA Premium Efficiency Three-Phase

Product code : 13500933

Catalog # : 007120T3E254JPV-S



Performance : 190/380 V 50 Hz 6P

Rated current : 24.4/12.2 A
 LRC : 4.0
 Rated torque : 40.6 ft.lb
 Locked rotor torque : 140 %
 Breakdown torque : 180 %
 Rated speed : 970 rpm

Moment of inertia (J) : 2.00 sq.ft.lb
 Duty cycle : Cont.(S1)
 Insulation class : F
 Service factor : 1.15
 Temperature rise : 80 K
 Design : B

Locked rotor time : 0s (cold) 0s (hot)

Rev.	Changes Summary	Performed	Checked	Date
Performed by			Page 3 / 16	Revision
Checked by				
Date	13/04/2022			

TORQUE AND CURRENT VS SPEED CURVE

Three Phase Induction Motor - Squirrel Cage



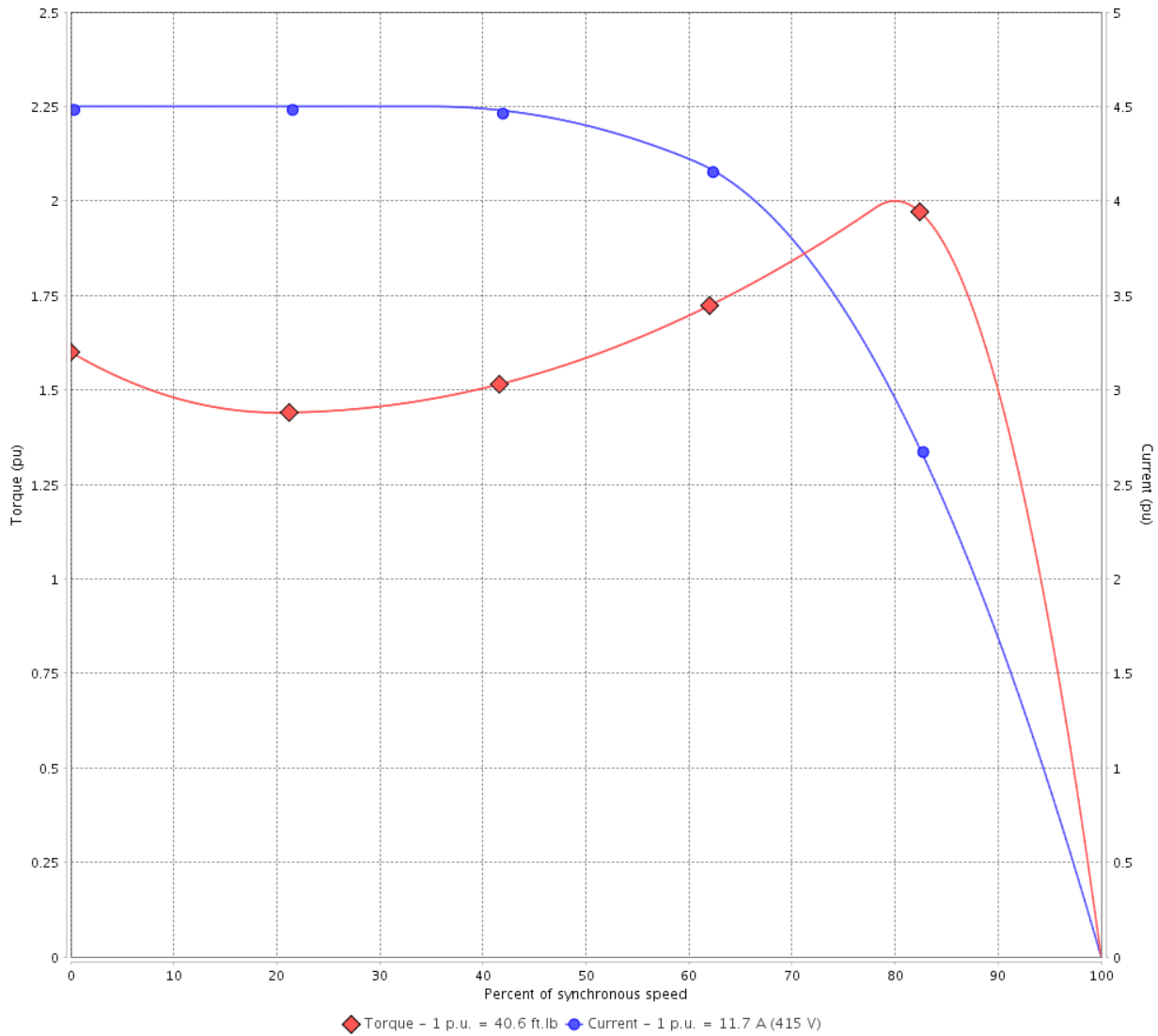
Customer :

Product line : JP Pump NEMA Premium
Efficiency Three-Phase

Product code : 13500933

Catalog # : 007120T3E254JPV-S

TORQUE AND CURRENT VS SPEED CURVE



Performance : 220/415 V 50 Hz 6P

Rated current	: 22.1/11.7 A	Moment of inertia (J)	: 2.00 sq.ft.lb
LRC	: 4.5	Duty cycle	: Cont.(S1)
Rated torque	: 40.6 ft.lb	Insulation class	: F
Locked rotor torque	: 160 %	Service factor	: 1.15
Breakdown torque	: 200 %	Temperature rise	: 80 K
Rated speed	: 970 rpm	Design	: B

Locked rotor time : 0s (cold) 0s (hot)

Rev.	Changes Summary	Performed	Checked	Date
Performed by			Page 4 / 16	Revision
Checked by				
Date	13/04/2022			

LOAD PERFORMANCE CURVE

Three Phase Induction Motor - Squirrel Cage

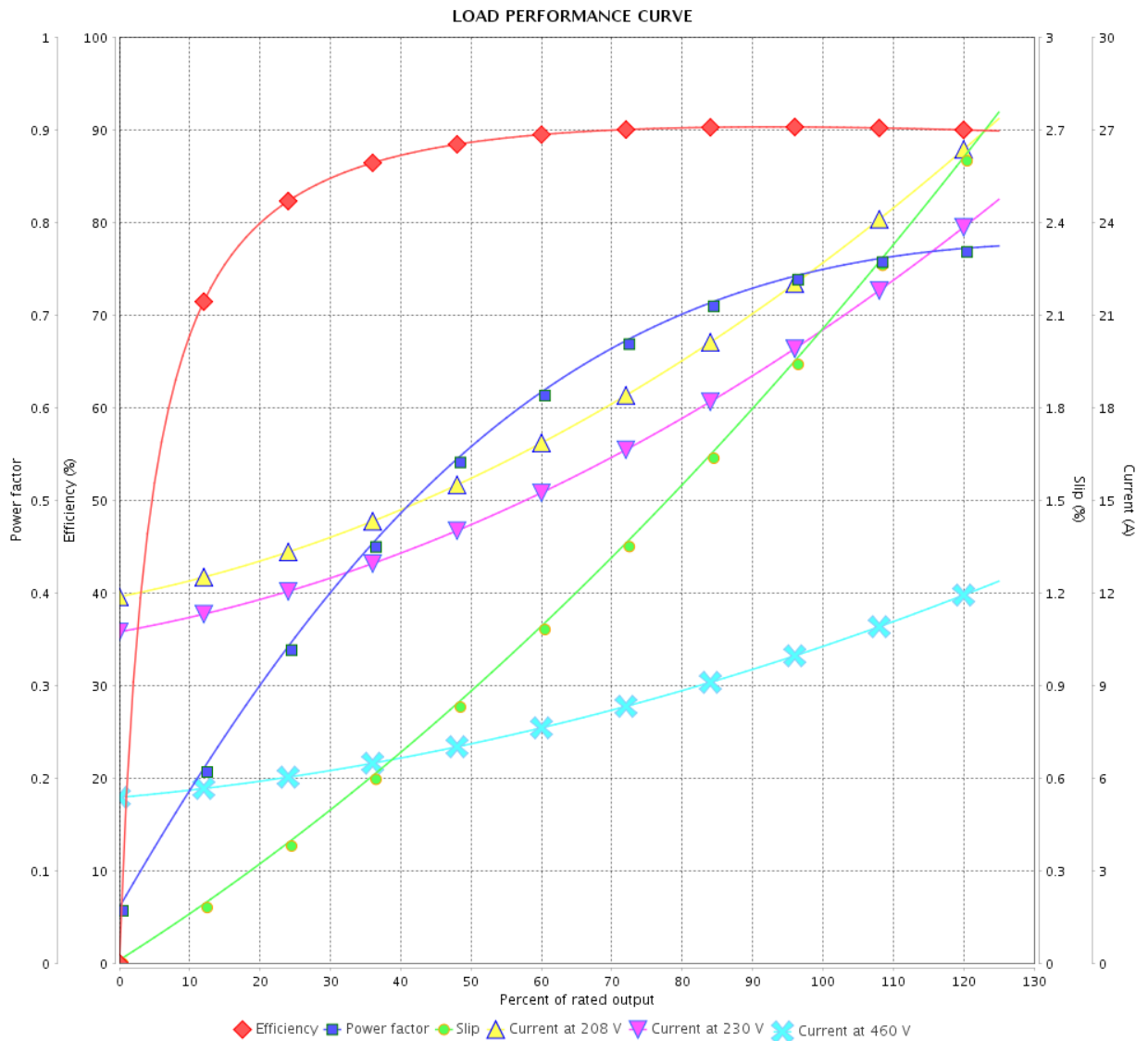


Customer :

Product line : JP Pump NEMA Premium
Efficiency Three-Phase

Product code : 13500933

Catalog # : 00712OT3E254JPV-S



Performance : 230/460 V 60 Hz 6P

Rated current : 20.4/10.2 A
 LRC : 5.1
 Rated torque : 33.5 ft.lb
 Locked rotor torque : 200 %
 Breakdown torque : 229 %
 Rated speed : 1175 rpm

Moment of inertia (J) : 2.00 sq.ft.lb
 Duty cycle : Cont.(S1)
 Insulation class : F
 Service factor : 1.15
 Temperature rise : 80 K
 Design : B

Rev.	Changes Summary	Performed	Checked	Date
Performed by			Page	Revision
Checked by				
Date				

LOAD PERFORMANCE CURVE

Three Phase Induction Motor - Squirrel Cage



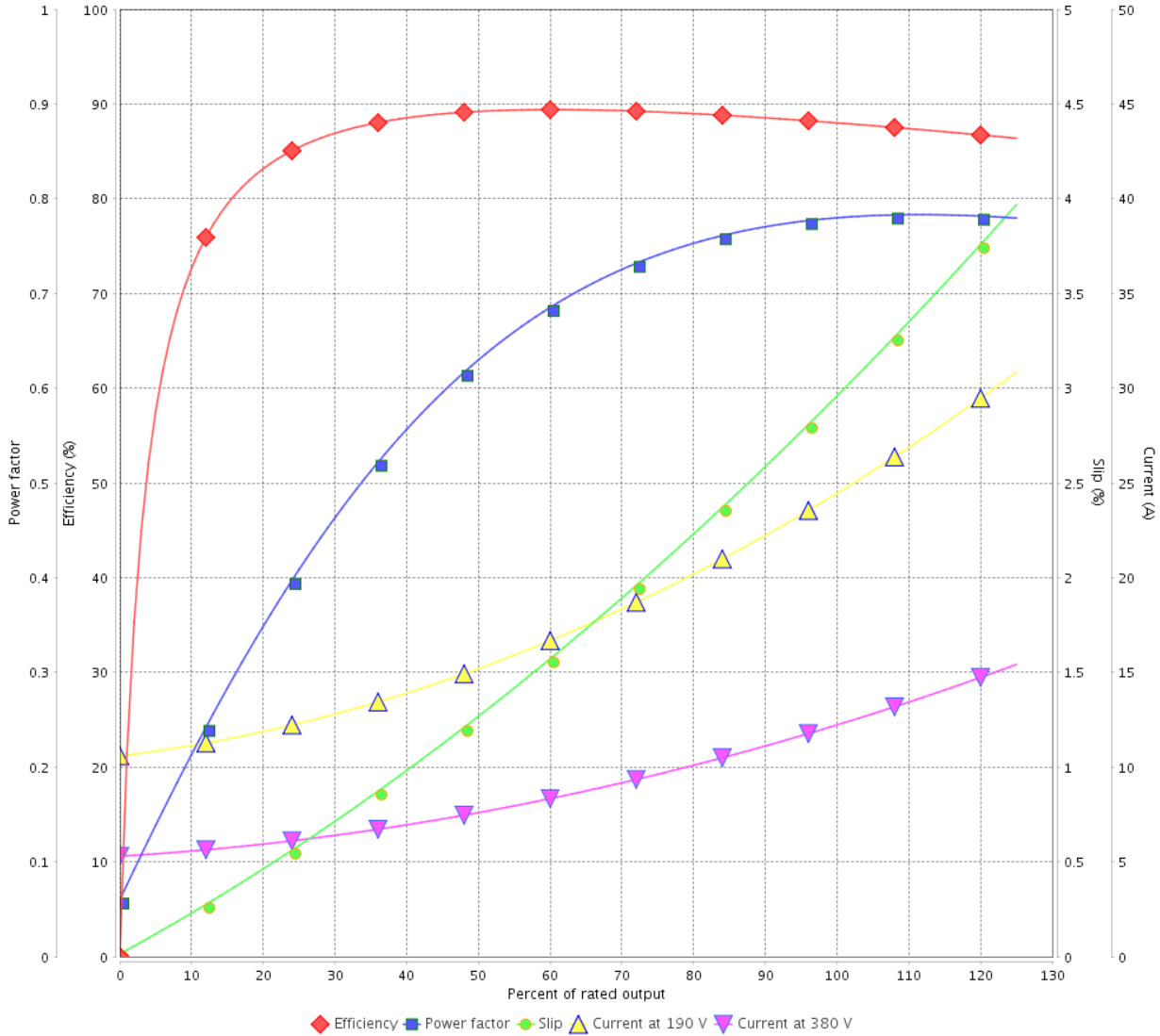
Customer :

Product line : JP Pump NEMA Premium Efficiency Three-Phase

Product code : 13500933

Catalog # : 007120T3E254JPV-S

LOAD PERFORMANCE CURVE



Performance : 190/380 V 50 Hz 6P

Rated current : 24.4/12.2 A
 LRC : 4.0
 Rated torque : 40.6 ft.lb
 Locked rotor torque : 140 %
 Breakdown torque : 180 %
 Rated speed : 970 rpm

Moment of inertia (J) : 2.00 sq.ft.lb
 Duty cycle : Cont.(S1)
 Insulation class : F
 Service factor : 1.15
 Temperature rise : 80 K
 Design : B

Rev.	Changes Summary	Performed	Checked	Date
Performed by			Page	Revision
Checked by				
Date				

LOAD PERFORMANCE CURVE

Three Phase Induction Motor - Squirrel Cage

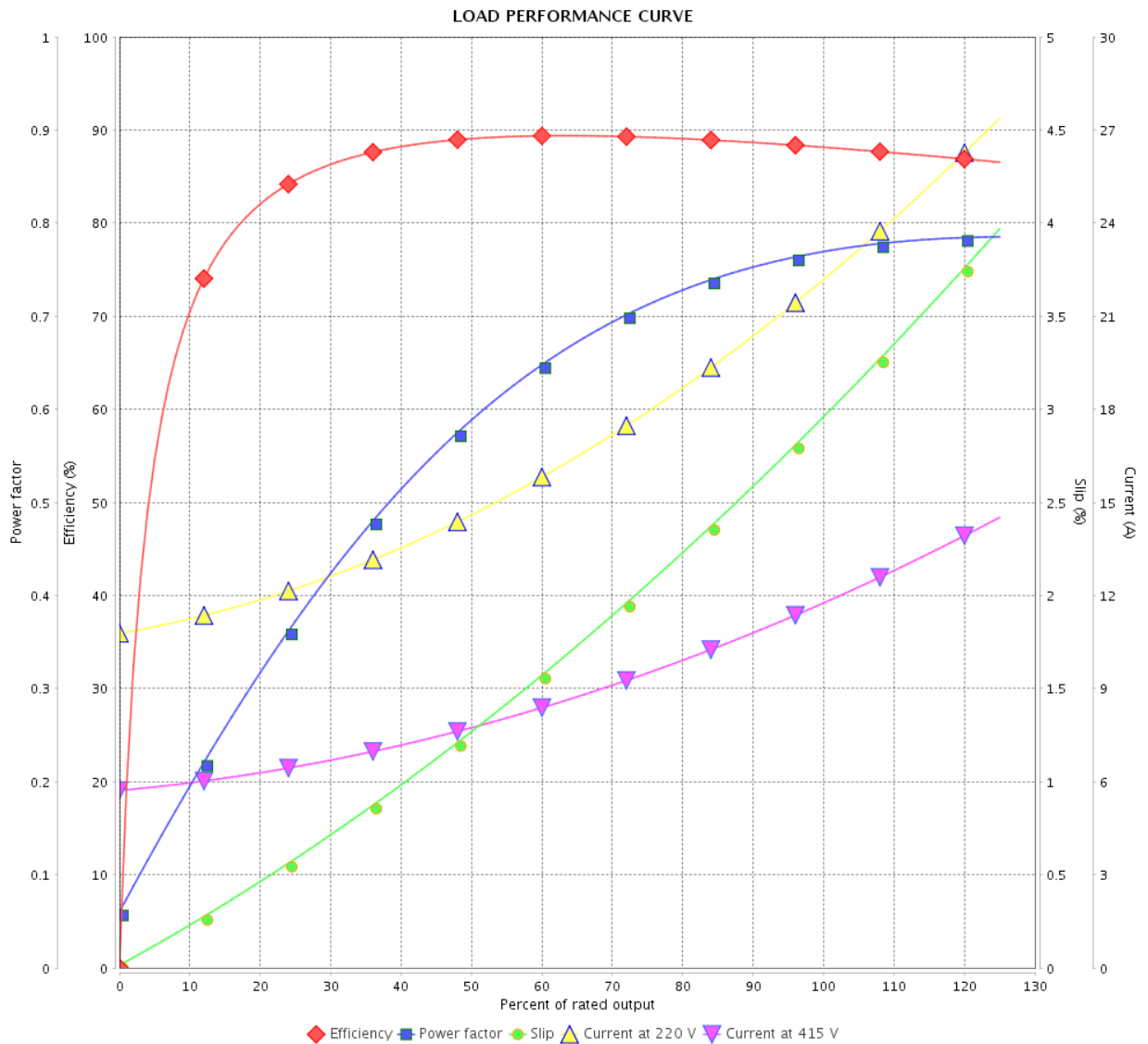


Customer :

Product line : JP Pump NEMA Premium
Efficiency Three-Phase

Product code : 13500933

Catalog # : 00712OT3E254JPV-S



Performance : 220/415 V 50 Hz 6P

Rated current : 22.1/11.7 A
 LRC : 4.5
 Rated torque : 40.6 ft.lb
 Locked rotor torque : 160 %
 Breakdown torque : 200 %
 Rated speed : 970 rpm

Moment of inertia (J) : 2.00 sq.ft.lb
 Duty cycle : Cont.(S1)
 Insulation class : F
 Service factor : 1.15
 Temperature rise : 80 K
 Design : B

Rev.	Changes Summary	Performed	Checked	Date
Performed by			Page	Revision
Checked by				
Date				
			7 / 16	

THERMAL LIMIT CURVE



Three Phase Induction Motor - Squirrel Cage

Customer :

Product line : JP Pump NEMA Premium
Efficiency Three-Phase

Product code : 13500933

Catalog # : 00712OT3E254JPV-S

Performance : 230/460 V 60 Hz 6P

Rated current : 20.4/10.2 A
LRC : 5.1
Rated torque : 33.5 ft.lb
Locked rotor torque : 200 %
Breakdown torque : 229 %
Rated speed : 1175 rpm

Moment of inertia (J) : 2.00 sq.ft.lb
Duty cycle : Cont.(S1)
Insulation class : F
Service factor : 1.15
Temperature rise : 80 K
Design : B

Heating constant

Cooling constant

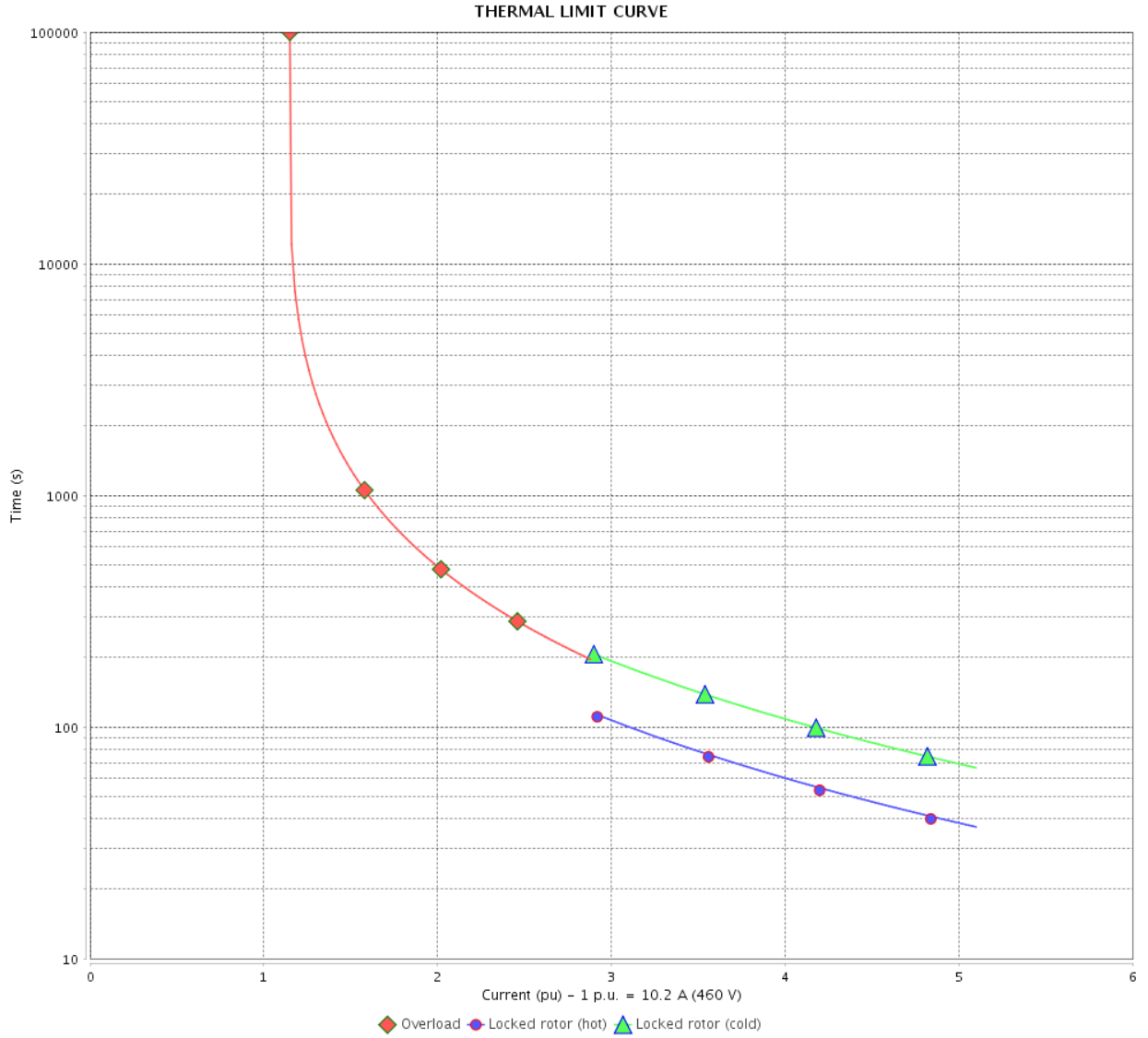
Rev.	Changes Summary	Performed	Checked	Date
Performed by				
Checked by			Page	Revision
Date	13/04/2022		8 / 16	

THERMAL LIMIT CURVE

Three Phase Induction Motor - Squirrel Cage



Customer : _____



Rev.	Changes Summary	Performed	Checked	Date
Performed by				
Checked by				
Date				
			Page	Revision
			9 / 16	

THERMAL LIMIT CURVE



Three Phase Induction Motor - Squirrel Cage

Customer :

Product line : JP Pump NEMA Premium
Efficiency Three-Phase

Product code : 13500933

Catalog # : 00712OT3E254JPV-S

Performance : 190/380 V 50 Hz 6P

Rated current : 24.4/12.2 A
LRC : 4.0
Rated torque : 40.6 ft.lb
Locked rotor torque : 140 %
Breakdown torque : 180 %
Rated speed : 970 rpm

Moment of inertia (J) : 2.00 sq.ft.lb
Duty cycle : Cont.(S1)
Insulation class : F
Service factor : 1.15
Temperature rise : 80 K
Design : B

Heating constant

Cooling constant

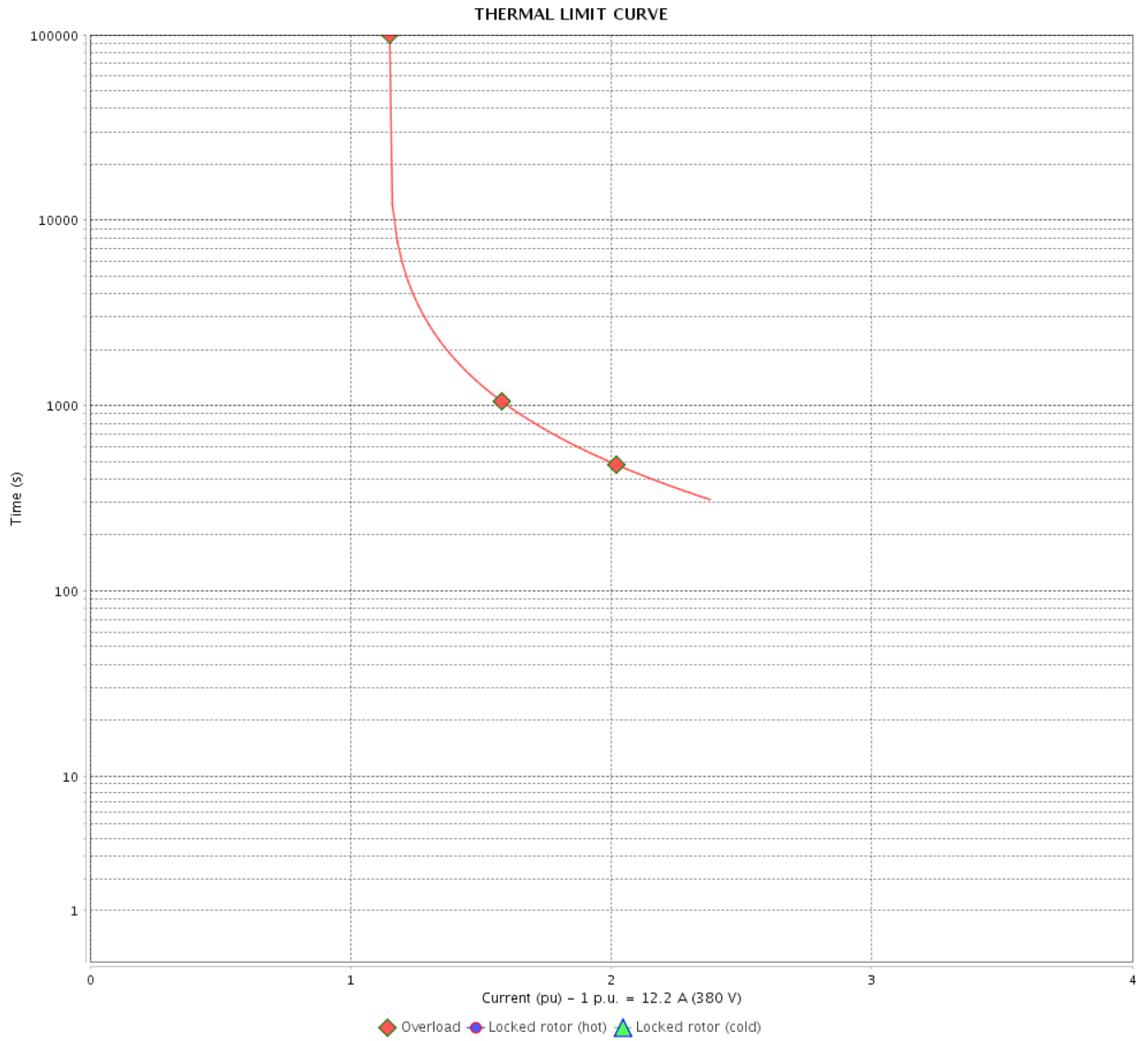
Rev.	Changes Summary	Performed	Checked	Date
Performed by				
Checked by			Page	Revision
Date	13/04/2022		10 / 16	

THERMAL LIMIT CURVE

Three Phase Induction Motor - Squirrel Cage



Customer : _____



Rev.	Changes Summary	Performed	Checked	Date
Performed by		Page		Revision
Checked by		11 / 16		
Date		13/04/2022		

THERMAL LIMIT CURVE



Three Phase Induction Motor - Squirrel Cage

Customer :

Product line : JP Pump NEMA Premium
Efficiency Three-Phase

Product code : 13500933

Catalog # : 00712OT3E254JPV-S

Performance : 220/415 V 50 Hz 6P

Rated current : 22.1/11.7 A	Moment of inertia (J) : 2.00 sq.ft.lb
LRC : 4.5	Duty cycle : Cont.(S1)
Rated torque : 40.6 ft.lb	Insulation class : F
Locked rotor torque : 160 %	Service factor : 1.15
Breakdown torque : 200 %	Temperature rise : 80 K
Rated speed : 970 rpm	Design : B

Heating constant

Cooling constant

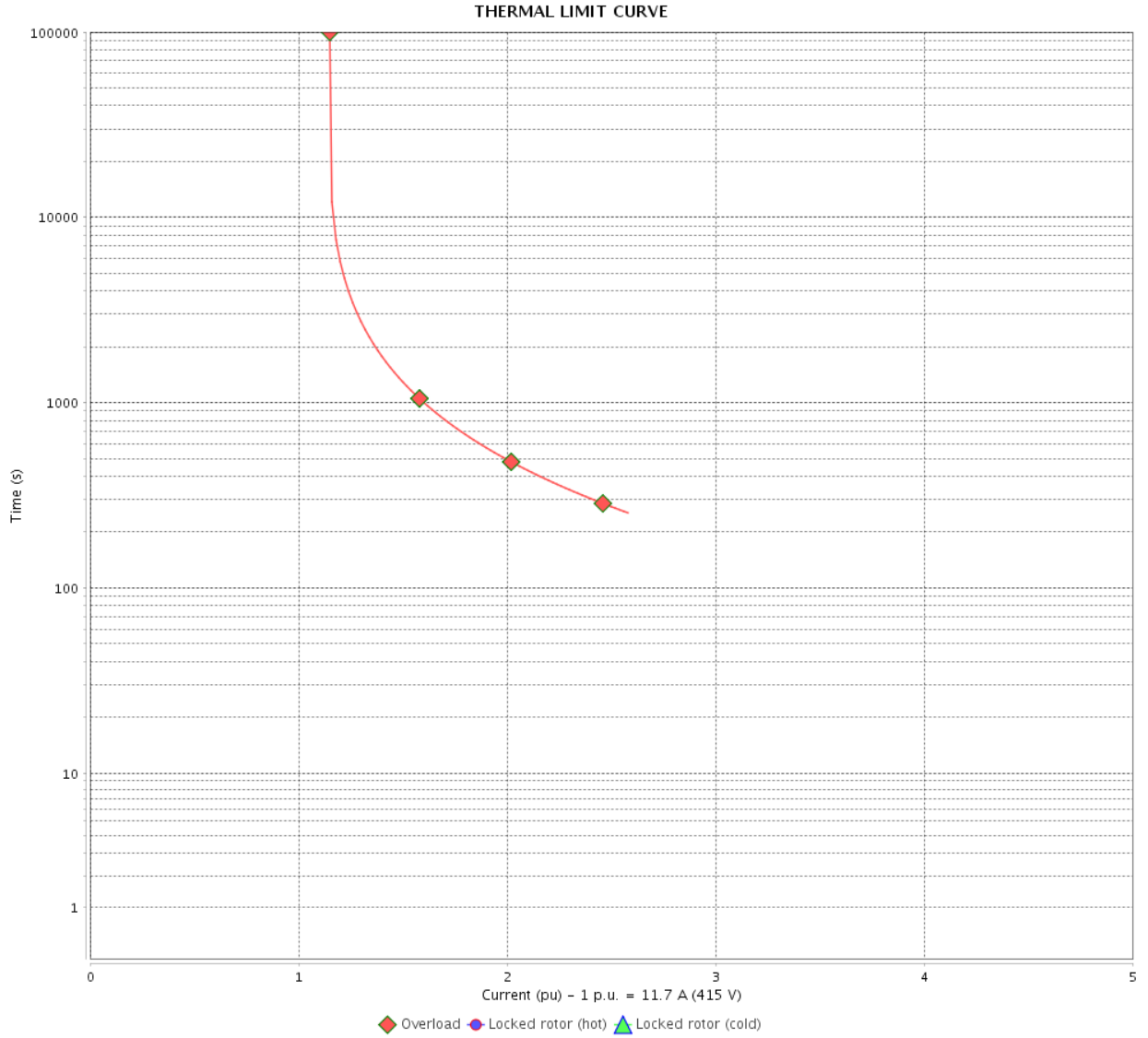
Rev.	Changes Summary	Performed	Checked	Date
Performed by			Page 12 / 16	Revision
Checked by				
Date	13/04/2022			

THERMAL LIMIT CURVE

Three Phase Induction Motor - Squirrel Cage



Customer : _____



Rev.	Changes Summary	Performed	Checked	Date
Performed by		Page 13 / 16		Revision
Checked by				
Date	13/04/2022			

VFD OPERATION CURVE

Three Phase Induction Motor - Squirrel Cage



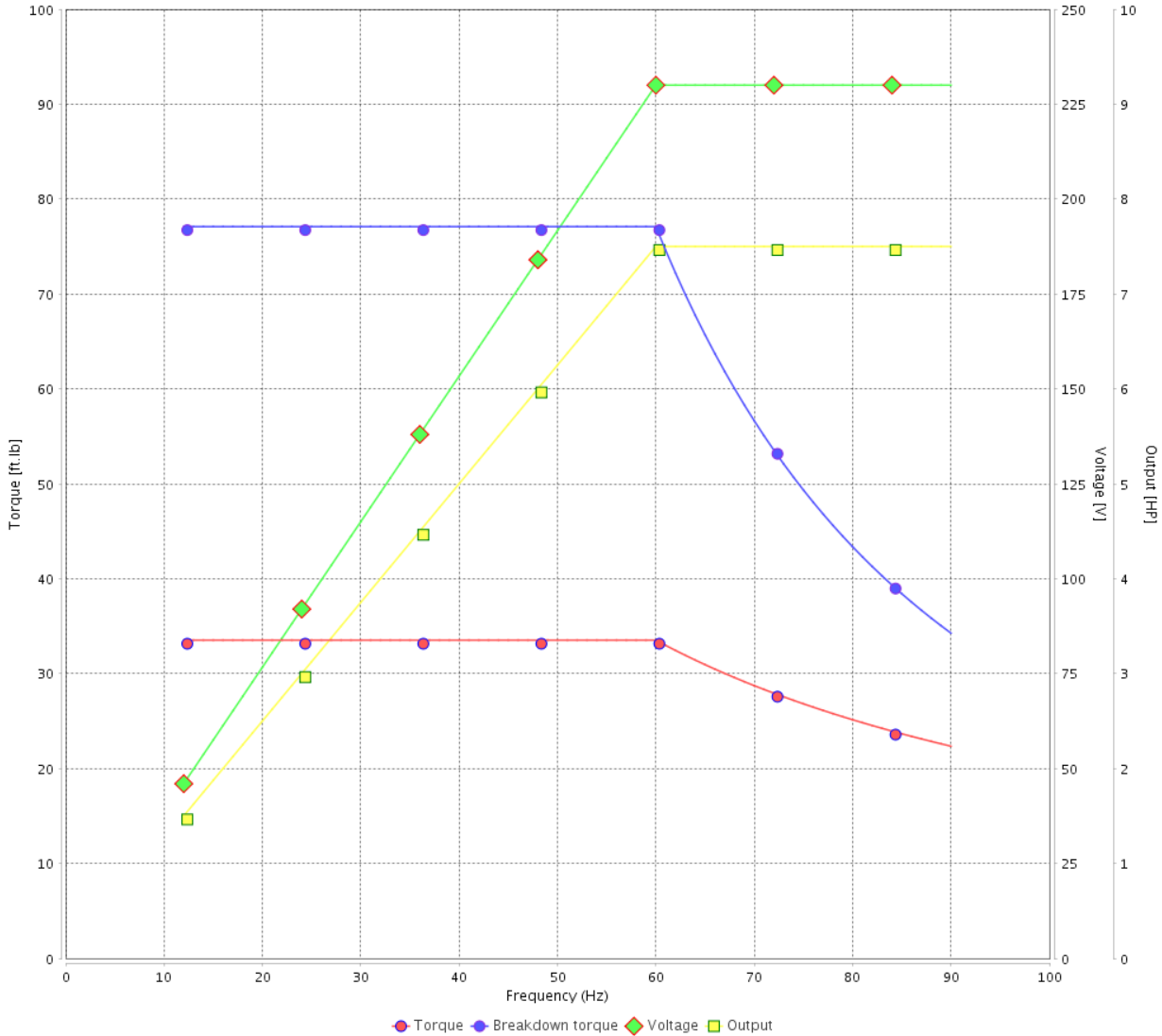
Customer :

Product line : JP Pump NEMA Premium Efficiency Three-Phase

Product code : 13500933

Catalog # : 007120T3E254JPV-S

VFD OPERATION CURVE



Performance : 230/460 V 60 Hz 6P

Rated current : 20.4/10.2 A
 LRC : 5.1
 Rated torque : 33.5 ft.lb
 Locked rotor torque : 200 %
 Breakdown torque : 229 %
 Rated speed : 1175 rpm

Moment of inertia (J) : 2.00 sq.ft.lb
 Duty cycle : Cont.(S1)
 Insulation class : F
 Service factor : 1.15
 Temperature rise : 80 K
 Design : B

Rev.	Changes Summary	Performed	Checked	Date
Performed by			Page 14 / 16	Revision
Checked by				
Date	13/04/2022			

VFD OPERATION CURVE

Three Phase Induction Motor - Squirrel Cage

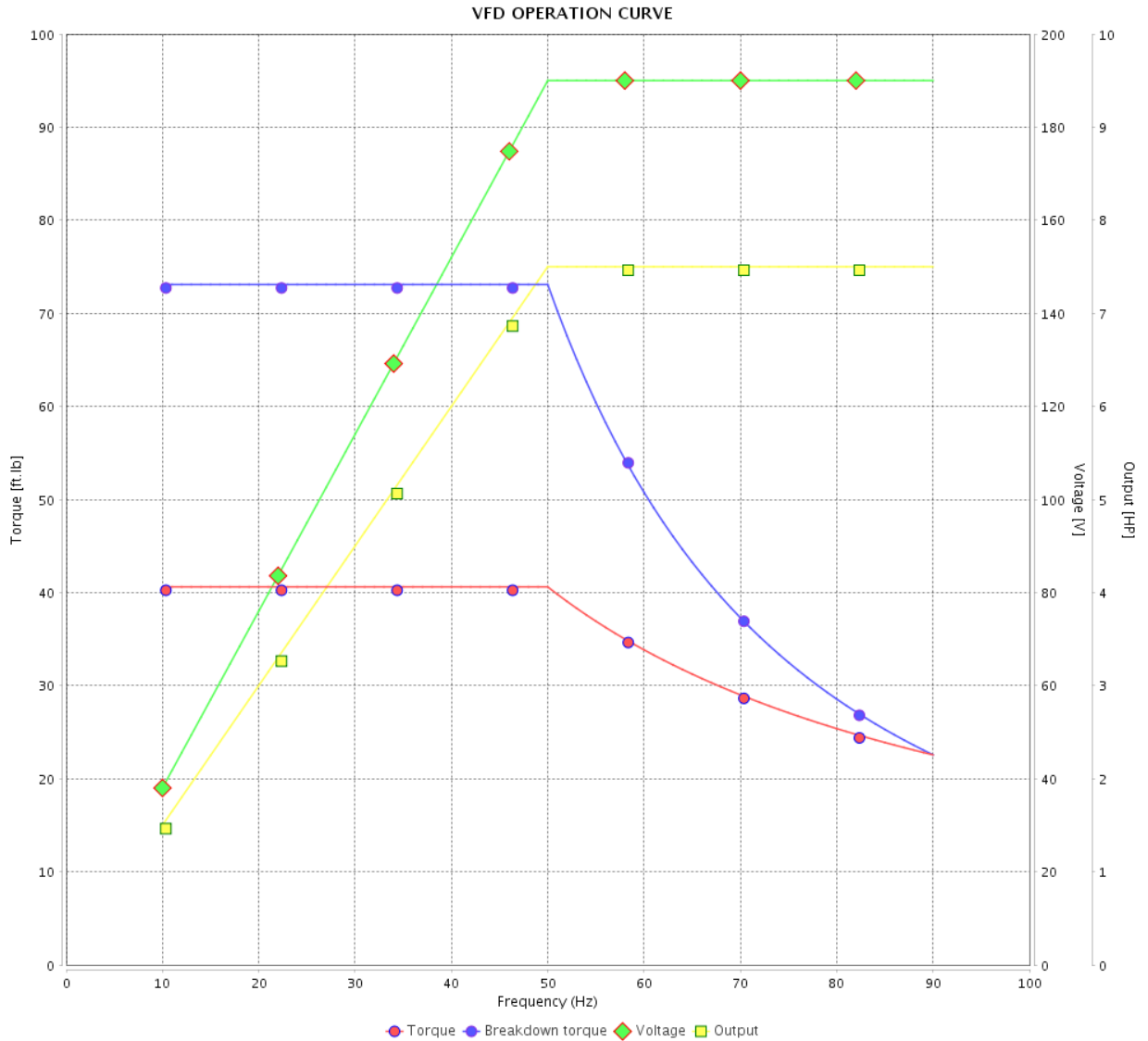


Customer :

Product line : JP Pump NEMA Premium Efficiency Three-Phase

Product code : 13500933

Catalog # : 007120T3E254JPV-S



Performance : 190/380 V 50 Hz 6P

Rated current : 24.4/12.2 A
 LRC : 4.0
 Rated torque : 40.6 ft.lb
 Locked rotor torque : 140 %
 Breakdown torque : 180 %
 Rated speed : 970 rpm

Moment of inertia (J) : 2.00 sq.ft.lb
 Duty cycle : Cont.(S1)
 Insulation class : F
 Service factor : 1.15
 Temperature rise : 80 K
 Design : B

Rev.	Changes Summary	Performed	Checked	Date
Performed by			Page 15 / 16	Revision
Checked by				
Date	13/04/2022			

VFD OPERATION CURVE

Three Phase Induction Motor - Squirrel Cage



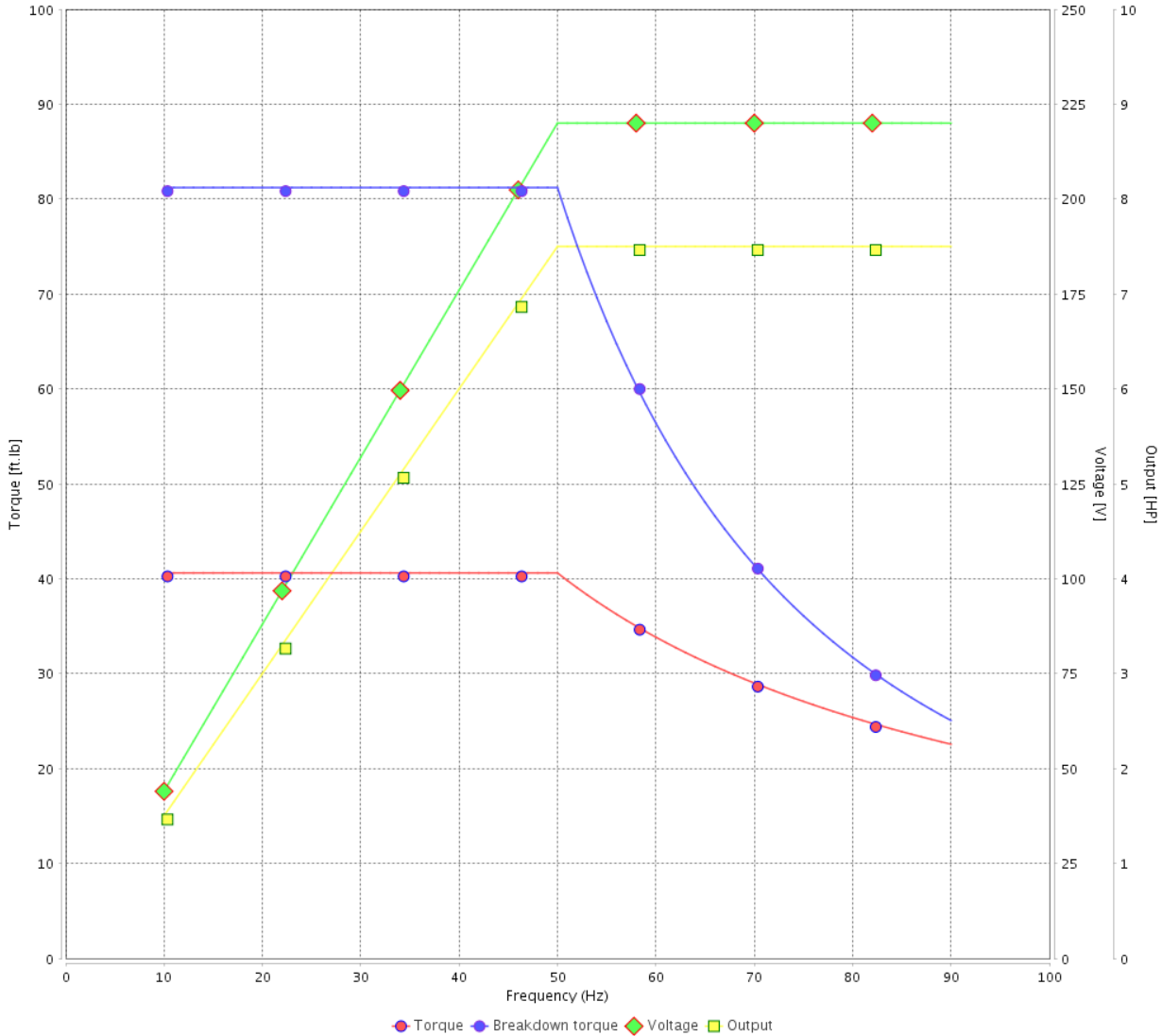
Customer :

Product line : JP Pump NEMA Premium
Efficiency Three-Phase

Product code : 13500933

Catalog # : 007120T3E254JPV-S

VFD OPERATION CURVE



Performance : 220/415 V 50 Hz 6P

Rated current : 22.1/11.7 A
LRC : 4.5
Rated torque : 40.6 ft.lb
Locked rotor torque : 160 %
Breakdown torque : 200 %
Rated speed : 970 rpm

Moment of inertia (J) : 2.00 sq.ft.lb
Duty cycle : Cont.(S1)
Insulation class : F
Service factor : 1.15
Temperature rise : 80 K
Design : B

Rev.	Changes Summary	Performed	Checked	Date
Performed by			Page 16 / 16	Revision
Checked by				
Date	13/04/2022			

1 2 3 4 5 6

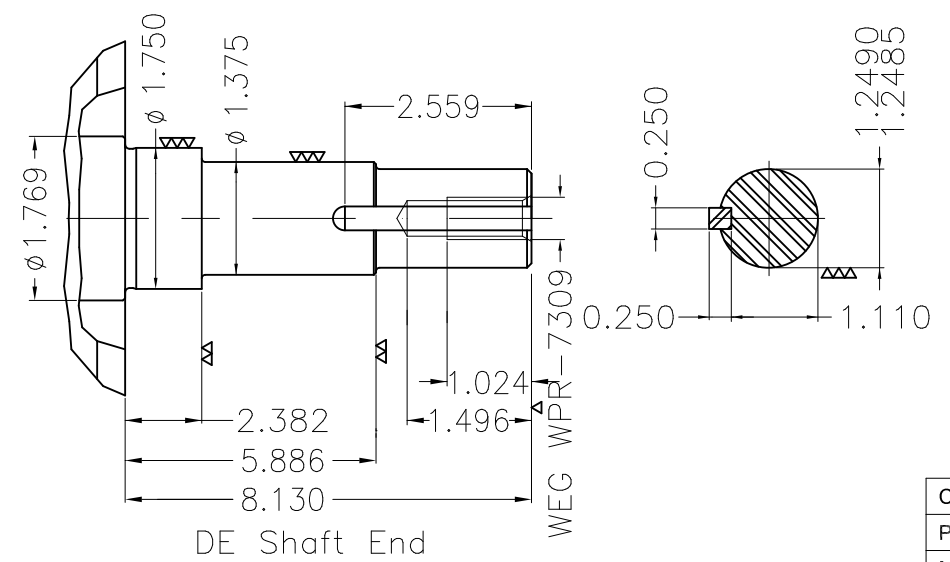
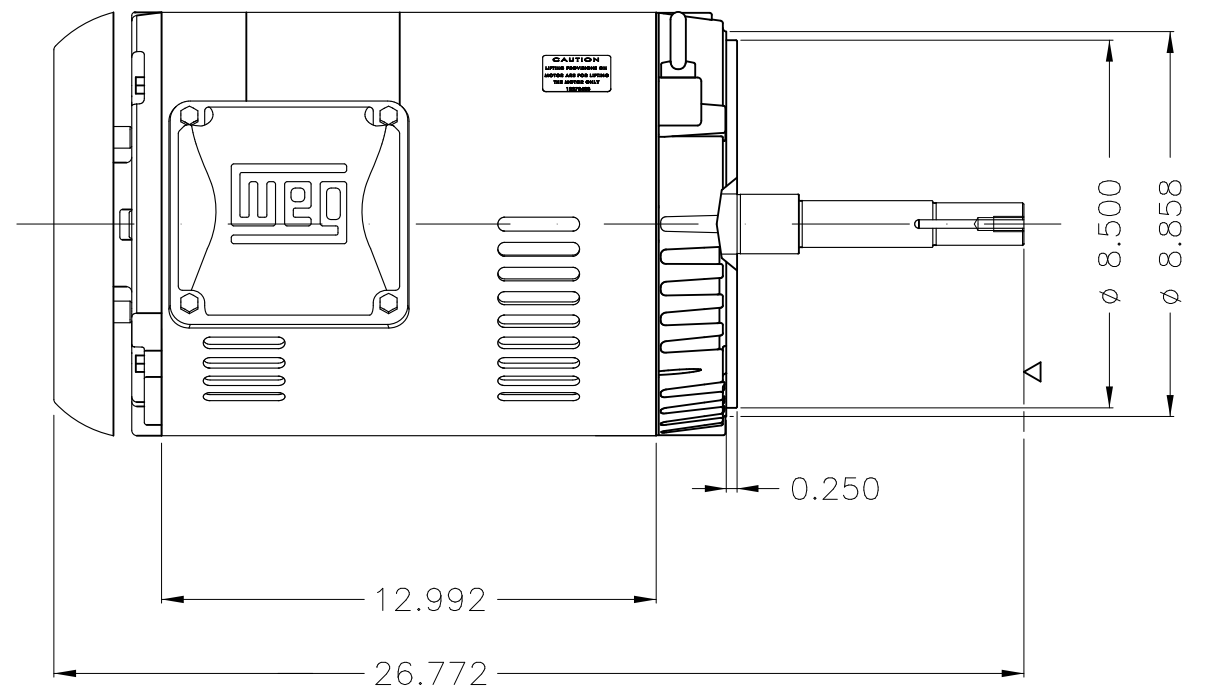
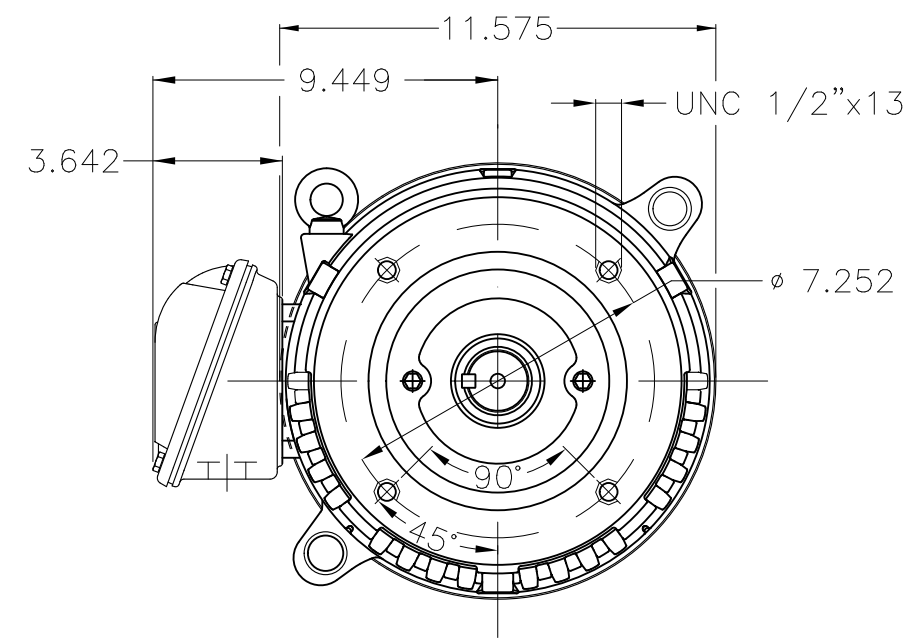
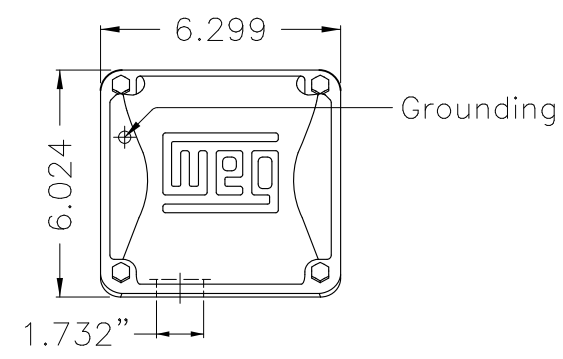
A

B

C

D

E



EUNC 1/2" - 13 WEG WPR-7309

Color Munsell N 1 matte black									
Painting plan 207N									
Mounting W-6/V18R(D)									
ECM	LOC	SUMMARY OF MODIFICATIONS			EXECUTED	CHECKED	RELEASED	DATE	VER
EXECUTED	PIRBUSER	THREE PH. MOTOR ROLLED STEEL CLOSE COUPLED PUMP JP 3/4 DE PRELIFTS							
CHECKED		FRAME 254/6JP IP21 ODP							
RELEASED									
REL DT.		WMO	Jaragua do Sul	Product Engineering					

7.5 HP 06 Poles 60 Hz

