

DATA SHEET

Three Phase Induction Motor - Squirrel Cage



Customer :		
Product line	: NEMA Premium Efficiency Three-Phase	
Product code :	12674985	
Catalog # :	00718ET3E213T-SG	
Frame	: 213/5T	
Insulation class	: F	
Duty cycle	: Cont.(S1)	
Ambient temperature	: -20°C to +40°C	
Altitude	: 1000 m.a.s.l.	
Protection degree	: IP55	
Design	: B	
Cooling method	: IC411 - TEFC	
Mounting	: F-1	
Rotation ¹	: Both (CW and CCW)	
Starting method	: Direct On Line	
Approx. weight ²	: 121 lb	
Moment of inertia (J)	: 0.9380 sq.ft.lb	
Output [HP]	7.5	
Poles	4	
Frequency [Hz]	60	
Rated voltage [V]	230/460	
Rated current [A]	18.1/9.07	
L. R. Amperes [A]	132/66.2	
LRC [A]	7.3x(Code H)	
No load current [A]	8.81/4.41	
Rated speed [RPM]	1770	
Slip [%]	1.67	
Rated torque [ft.lb]	22.3	
Locked rotor torque [%]	260	
Breakdown torque [%]	300	
Service factor	1.15	
Temperature rise	80 K	
Locked rotor time	39s (cold) 22s (hot)	
Noise level ²	60.0 dB(A)	
Efficiency (%)	25%	89.4
	50%	90.2
	75%	91.0
	100%	91.7
Power Factor	25%	0.39
	50%	0.64
	75%	0.76
	100%	0.82
Bearing type	: <u>Drive end</u> 6208 ZZ <u>Non drive end</u> 6206 ZZ	
Sealing	: V'Ring Without Bearing Seal	
Lubrication interval	: -	
Lubricant amount	: -	
Lubricant type	: Mobil Polyrex EM	
Foundation loads	Max. traction : 366 lb	
	Max. compression : 486 lb	
Notes USABLE @208V 20.1A SF 1.00 SFA 20.1A		
This revision replaces and cancel the previous one, which must be eliminated. (1) Looking the motor from the shaft end. (2) Measured at 1m and with tolerance of +3dB(A). (3) Approximate weight subject to changes after manufacturing process. (4) At 100% of full load.		
These are average values based on tests with sinusoidal power supply, subject to the tolerances stipulated in NEMA MG-1.		
Rev.	Changes Summary	
Performed by	Performed	
Checked by	Checked	
Date	13/04/2022	
Page	1 / 16	
Revision		

TORQUE AND CURRENT VS SPEED CURVE

Three Phase Induction Motor - Squirrel Cage



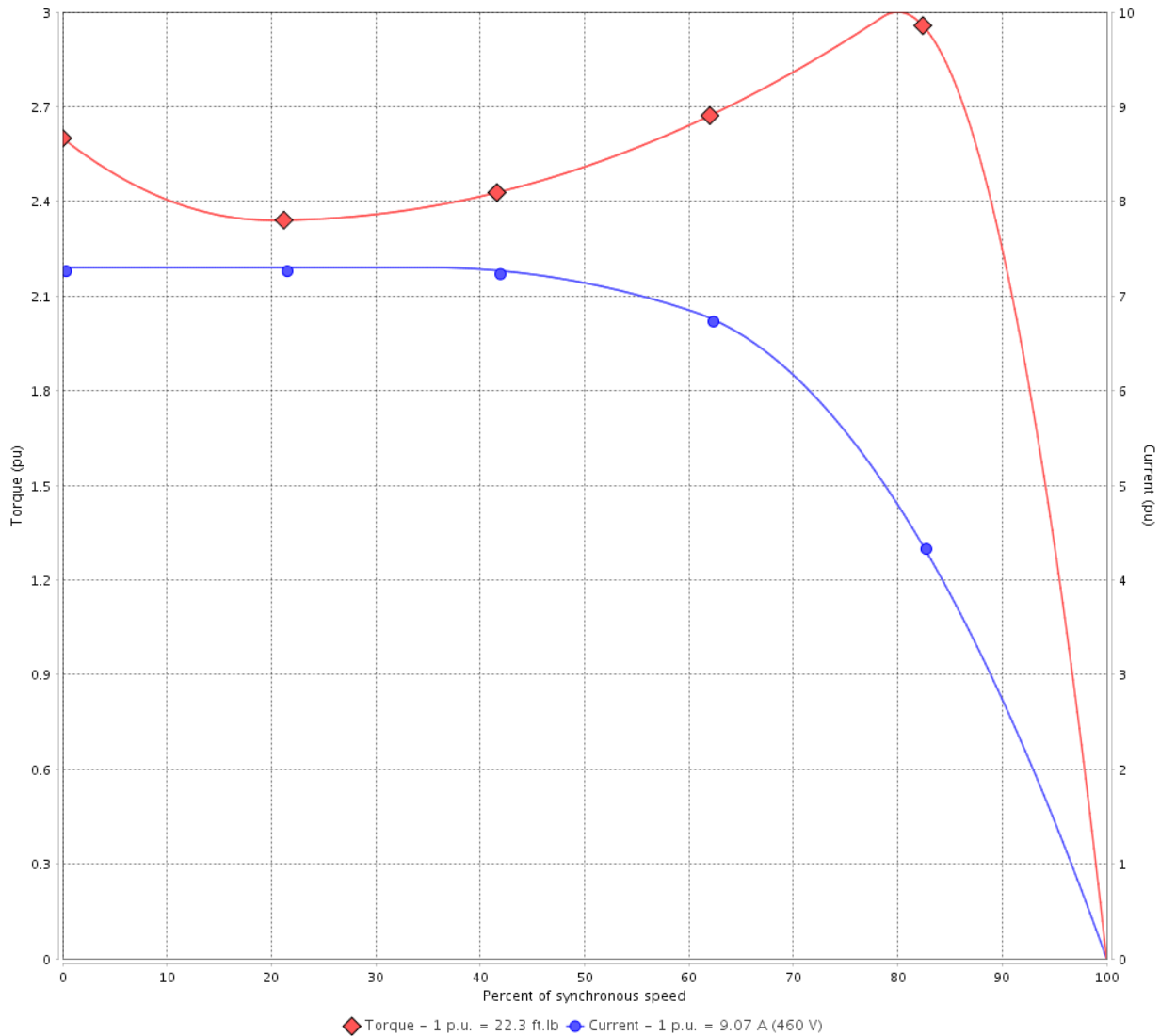
Customer :

Product line : NEMA Premium Efficiency Three-Phase

Product code : 12674985

Catalog # : 00718ET3E213T-SG

TORQUE AND CURRENT VS SPEED CURVE



Performance : 230/460 V 60 Hz 4P

Rated current : 18.1/9.07 A
 LRC : 7.3
 Rated torque : 22.3 ft.lb
 Locked rotor torque : 260 %
 Breakdown torque : 300 %
 Rated speed : 1770 rpm

Moment of inertia (J) : 0.9380 sq.ft.lb
 Duty cycle : Cont.(S1)
 Insulation class : F
 Service factor : 1.15
 Temperature rise : 80 K
 Design : B

Locked rotor time : 39s (cold) 22s (hot)

Rev.	Changes Summary	Performed	Checked	Date
Performed by			Page 2 / 16	Revision
Checked by				
Date	13/04/2022			

TORQUE AND CURRENT VS SPEED CURVE



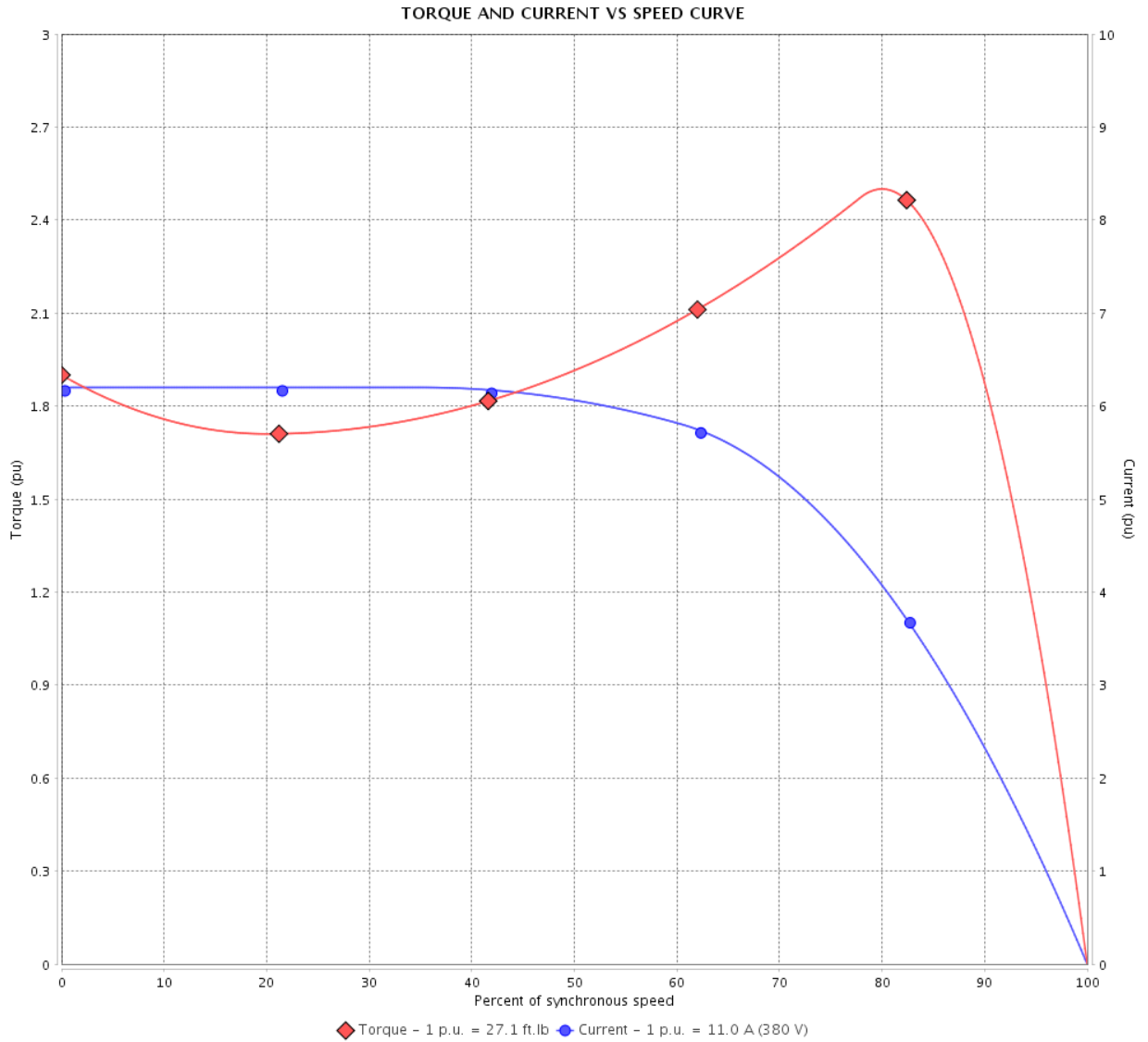
Three Phase Induction Motor - Squirrel Cage

Customer :

Product line : NEMA Premium Efficiency Three-Phase

Product code : 12674985

Catalog # : 00718ET3E213T-SG



Performance : 190/380 V 50 Hz 4P

Rated current : 22.0/11.0 A
 LRC : 6.2
 Rated torque : 27.1 ft.lb
 Locked rotor torque : 190 %
 Breakdown torque : 250 %
 Rated speed : 1455 rpm

Moment of inertia (J) : 0.9380 sq.ft.lb
 Duty cycle : Cont.(S1)
 Insulation class : F
 Service factor : 1.00
 Temperature rise : 105 K
 Design : B

Locked rotor time : 0s (cold) 0s (hot)

Rev.	Changes Summary	Performed	Checked	Date
Performed by			Page 3 / 16	Revision
Checked by				
Date	13/04/2022			

TORQUE AND CURRENT VS SPEED CURVE

Three Phase Induction Motor - Squirrel Cage



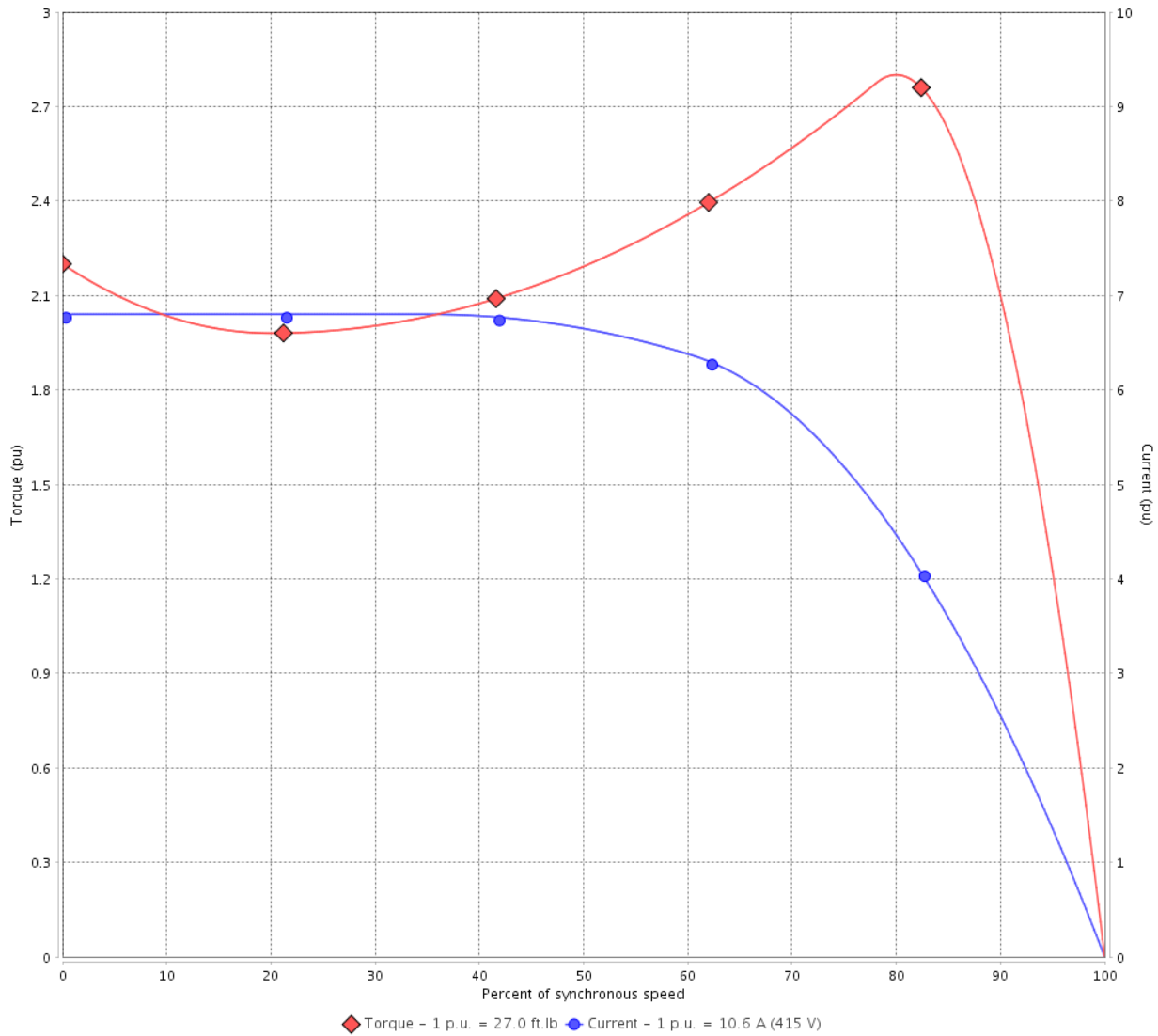
Customer :

Product line : NEMA Premium Efficiency Three-Phase

Product code : 12674985

Catalog # : 00718ET3E213T-SG

TORQUE AND CURRENT VS SPEED CURVE



Performance : 220/415 V 50 Hz 4P

Rated current	: 20.0/10.6 A	Moment of inertia (J)	: 0.9380 sq.ft.lb
LRC	: 6.8	Duty cycle	: Cont.(S1)
Rated torque	: 27.0 ft.lb	Insulation class	: F
Locked rotor torque	: 220 %	Service factor	: 1.00
Breakdown torque	: 280 %	Temperature rise	: 80 K
Rated speed	: 1460 rpm	Design	: B

Locked rotor time : 0s (cold) 0s (hot)

Rev.	Changes Summary	Performed	Checked	Date
Performed by			Page 4 / 16	Revision
Checked by				
Date	13/04/2022			

LOAD PERFORMANCE CURVE

Three Phase Induction Motor - Squirrel Cage

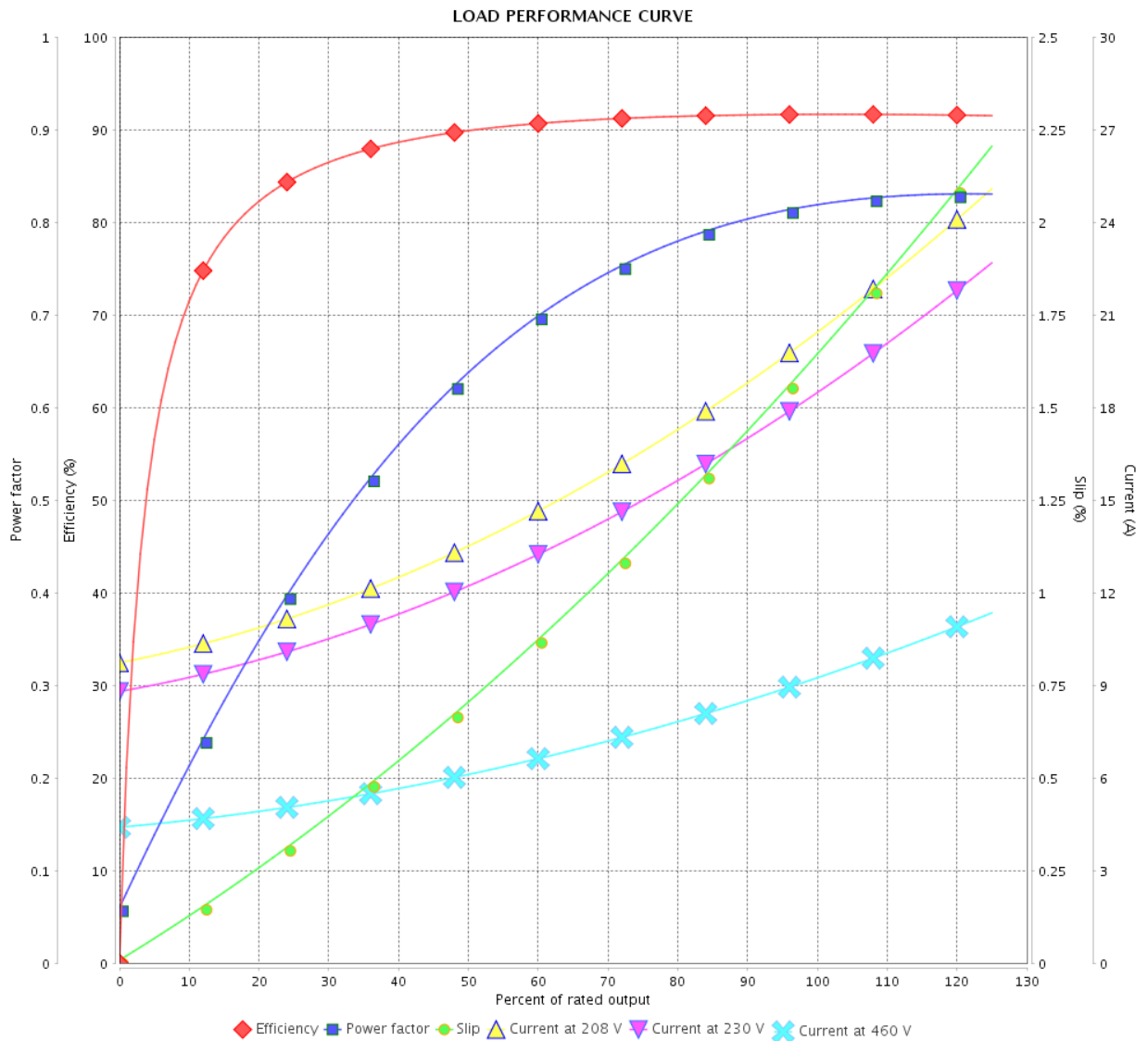


Customer :

Product line : NEMA Premium Efficiency Three-Phase

Product code : 12674985

Catalog # : 00718ET3E213T-SG



Performance : 230/460 V 60 Hz 4P

Rated current : 18.1/9.07 A
 LRC : 7.3
 Rated torque : 22.3 ft.lb
 Locked rotor torque : 260 %
 Breakdown torque : 300 %
 Rated speed : 1770 rpm

Moment of inertia (J) : 0.9380 sq.ft.lb
 Duty cycle : Cont.(S1)
 Insulation class : F
 Service factor : 1.15
 Temperature rise : 80 K
 Design : B

Rev.	Changes Summary	Performed	Checked	Date
Performed by			Page	Revision
Checked by				
Date				

LOAD PERFORMANCE CURVE

Three Phase Induction Motor - Squirrel Cage



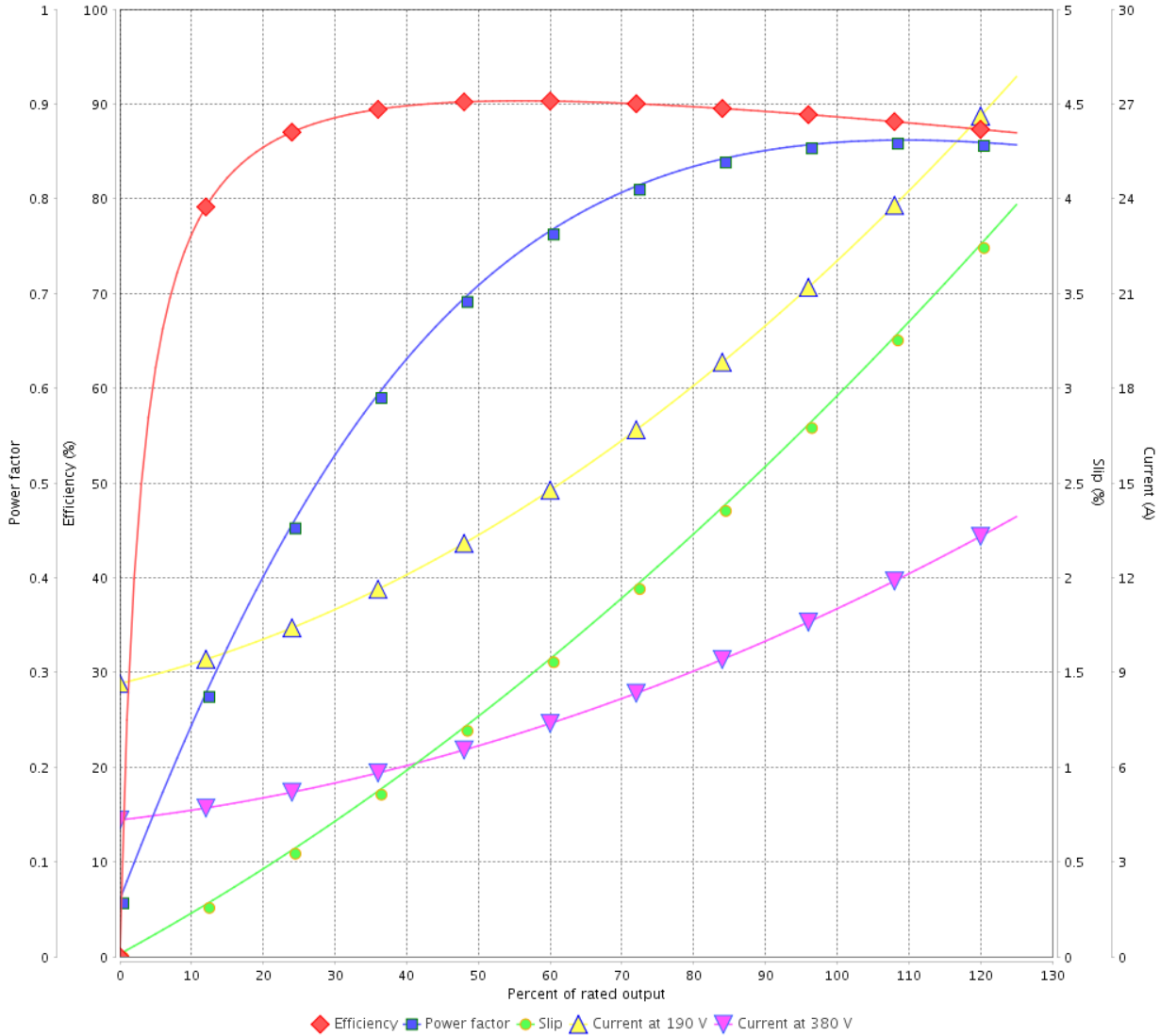
Customer :

Product line : NEMA Premium Efficiency Three-Phase

Product code : 12674985

Catalog # : 00718ET3E213T-SG

LOAD PERFORMANCE CURVE



Performance : 190/380 V 50 Hz 4P

Rated current : 22.0/11.0 A
 LRC : 6.2
 Rated torque : 27.1 ft.lb
 Locked rotor torque : 190 %
 Breakdown torque : 250 %
 Rated speed : 1455 rpm

Moment of inertia (J) : 0.9380 sq.ft.lb
 Duty cycle : Cont.(S1)
 Insulation class : F
 Service factor : 1.00
 Temperature rise : 105 K
 Design : B

Rev.	Changes Summary	Performed	Checked	Date
Performed by			Page	Revision
Checked by				
Date				

LOAD PERFORMANCE CURVE

Three Phase Induction Motor - Squirrel Cage

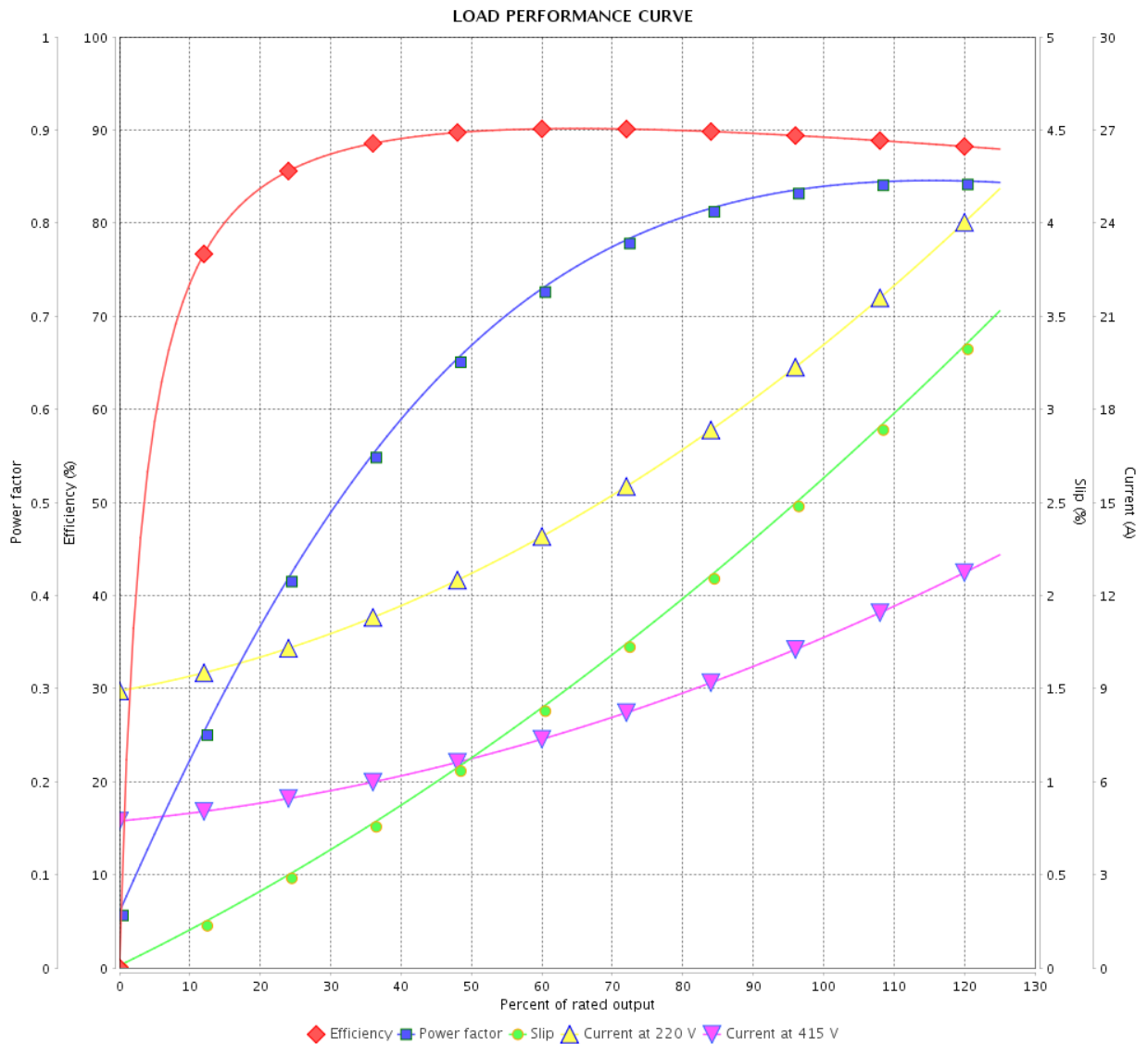


Customer :

Product line : NEMA Premium Efficiency Three-Phase

Product code : 12674985

Catalog # : 00718ET3E213T-SG



Performance : 220/415 V 50 Hz 4P

Rated current : 20.0/10.6 A
 LRC : 6.8
 Rated torque : 27.0 ft.lb
 Locked rotor torque : 220 %
 Breakdown torque : 280 %
 Rated speed : 1460 rpm

Moment of inertia (J) : 0.9380 sq.ft.lb
 Duty cycle : Cont.(S1)
 Insulation class : F
 Service factor : 1.00
 Temperature rise : 80 K
 Design : B

Rev.	Changes Summary	Performed	Checked	Date
Performed by		Page		Revision
Checked by		7 / 16		
Date		13/04/2022		

THERMAL LIMIT CURVE



Three Phase Induction Motor - Squirrel Cage

Customer :

Product line : NEMA Premium Efficiency Three-Phase
Product code : 12674985
Catalog # : 00718ET3E213T-SG

Performance : 230/460 V 60 Hz 4P

Rated current	: 18.1/9.07 A	Moment of inertia (J)	: 0.9380 sq.ft.lb
LRC	: 7.3	Duty cycle	: Cont.(S1)
Rated torque	: 22.3 ft.lb	Insulation class	: F
Locked rotor torque	: 260 %	Service factor	: 1.15
Breakdown torque	: 300 %	Temperature rise	: 80 K
Rated speed	: 1770 rpm	Design	: B

Heating constant

Cooling constant

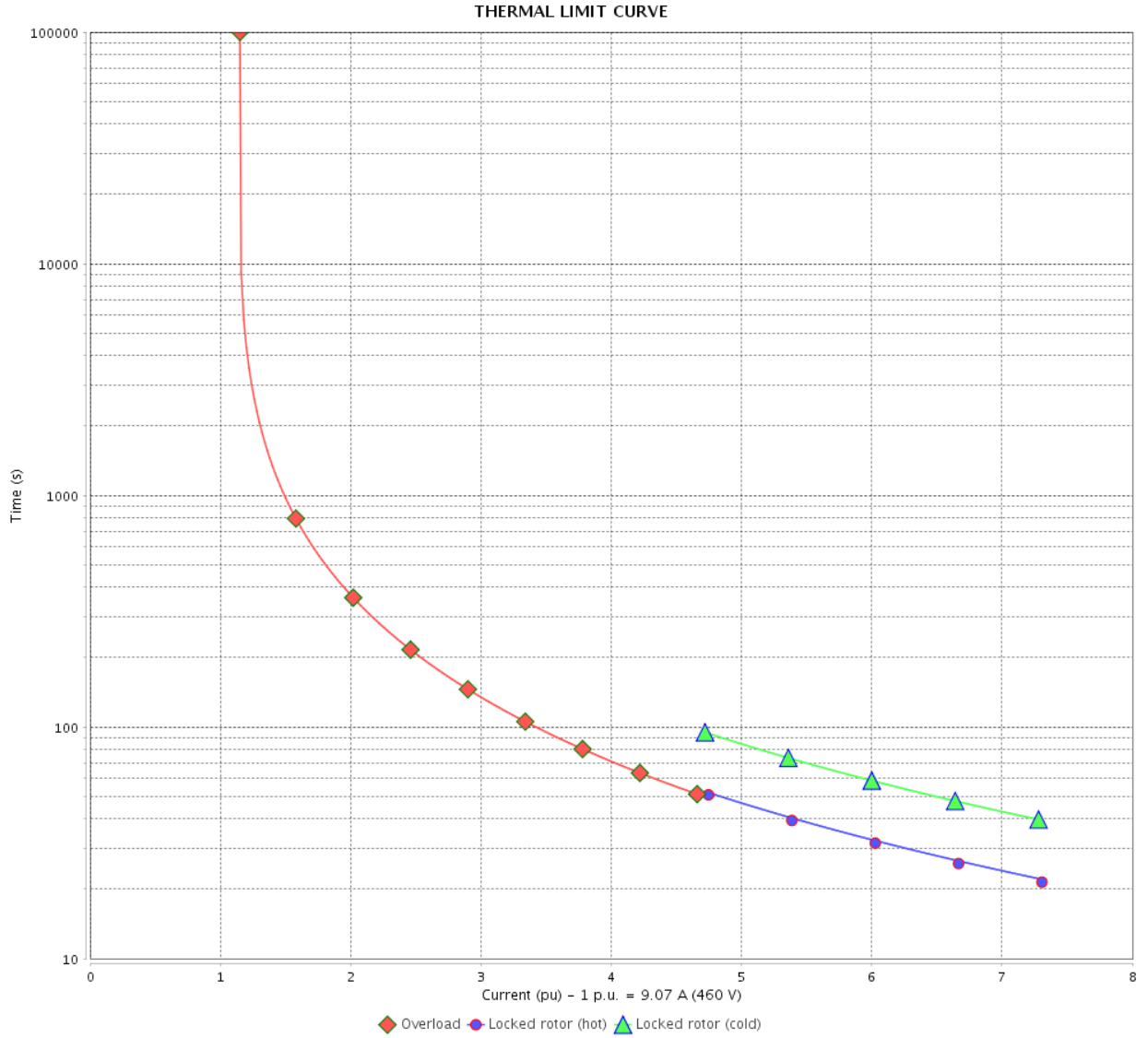
Rev.	Changes Summary	Performed	Checked	Date
Performed by				
Checked by			Page	Revision
Date	13/04/2022		8 / 16	

THERMAL LIMIT CURVE

Three Phase Induction Motor - Squirrel Cage



Customer : _____



Rev.	Changes Summary	Performed	Checked	Date
Performed by		Page 9 / 16		Revision
Checked by				
Date				

THERMAL LIMIT CURVE



Three Phase Induction Motor - Squirrel Cage

Customer :

Product line : NEMA Premium Efficiency Three-Phase
Product code : 12674985
Catalog # : 00718ET3E213T-SG

Performance : 190/380 V 50 Hz 4P

Rated current	: 22.0/11.0 A	Moment of inertia (J)	: 0.9380 sq.ft.lb
LRC	: 6.2	Duty cycle	: Cont.(S1)
Rated torque	: 27.1 ft.lb	Insulation class	: F
Locked rotor torque	: 190 %	Service factor	: 1.00
Breakdown torque	: 250 %	Temperature rise	: 105 K
Rated speed	: 1455 rpm	Design	: B

Heating constant

Cooling constant

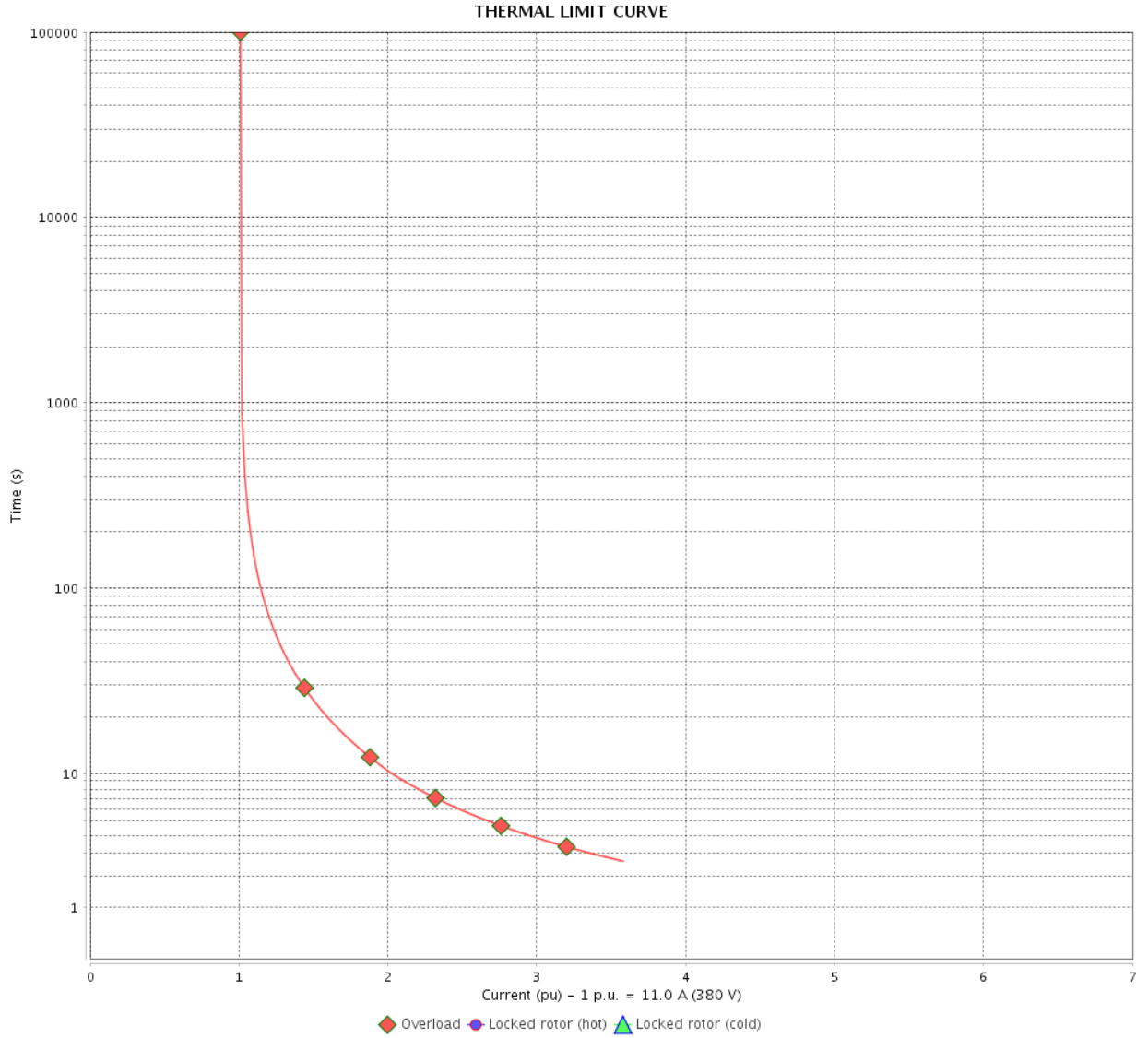
Rev.	Changes Summary	Performed	Checked	Date
Performed by				
Checked by			Page	Revision
Date	13/04/2022		10 / 16	

THERMAL LIMIT CURVE

Three Phase Induction Motor - Squirrel Cage



Customer : _____



Rev.	Changes Summary	Performed	Checked	Date
Performed by		Page		Revision
Checked by		11 / 16		
Date		13/04/2022		

THERMAL LIMIT CURVE



Three Phase Induction Motor - Squirrel Cage

Customer :

Product line : NEMA Premium Efficiency Three-Phase
 Product code : 12674985
 Catalog # : 00718ET3E213T-SG

Performance : 220/415 V 50 Hz 4P

Rated current : 20.0/10.6 A	Moment of inertia (J) : 0.9380 sq.ft.lb
LRC : 6.8	Duty cycle : Cont.(S1)
Rated torque : 27.0 ft.lb	Insulation class : F
Locked rotor torque : 220 %	Service factor : 1.00
Breakdown torque : 280 %	Temperature rise : 80 K
Rated speed : 1460 rpm	Design : B

Heating constant

Cooling constant

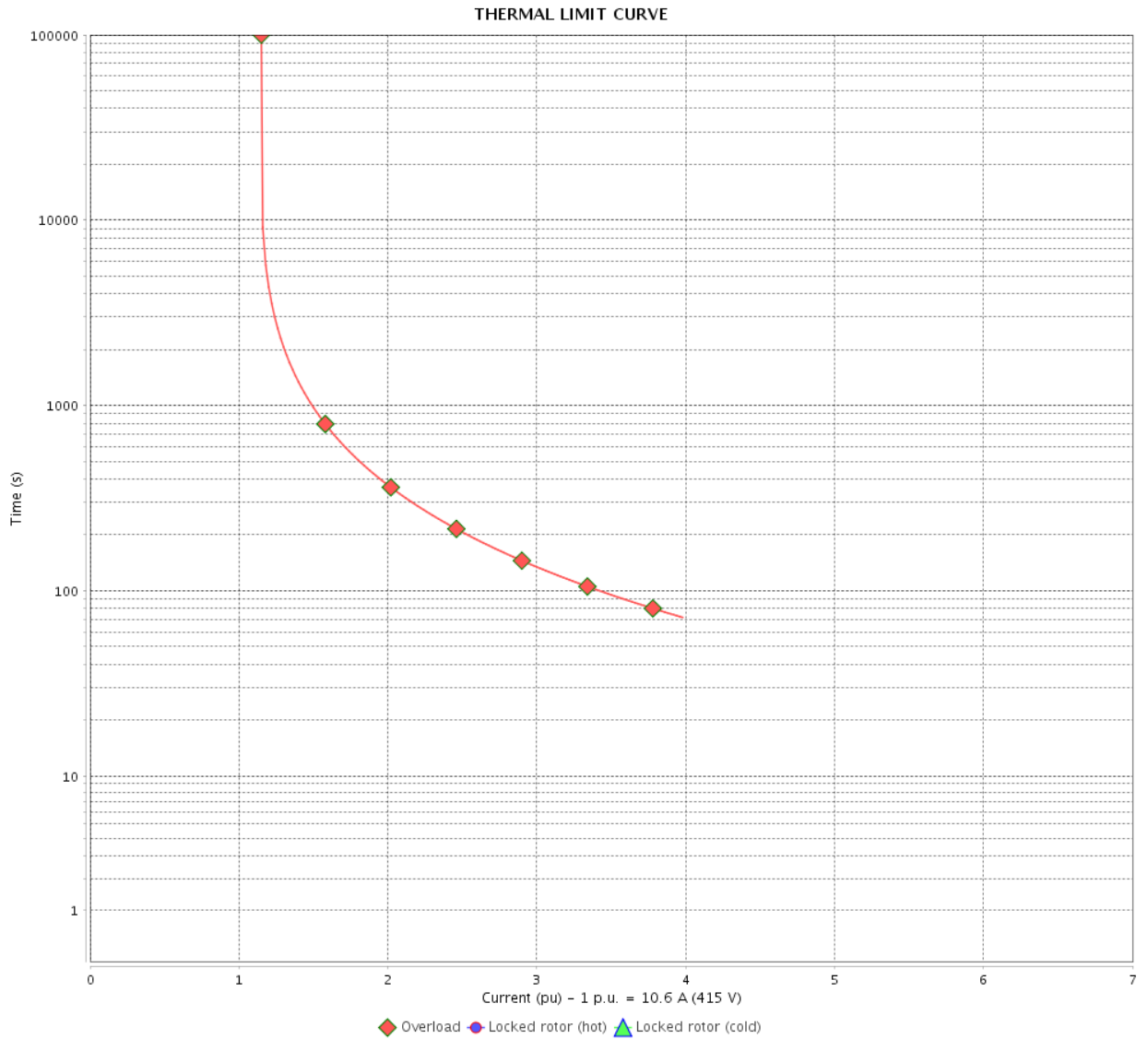
Rev.	Changes Summary	Performed	Checked	Date
Performed by			Page 12 / 16	Revision
Checked by				
Date	13/04/2022			

THERMAL LIMIT CURVE

Three Phase Induction Motor - Squirrel Cage



Customer : _____



Rev.	Changes Summary	Performed	Checked	Date
Performed by		Page		Revision
Checked by		13 / 16		
Date		13/04/2022		

VFD OPERATION CURVE

Three Phase Induction Motor - Squirrel Cage



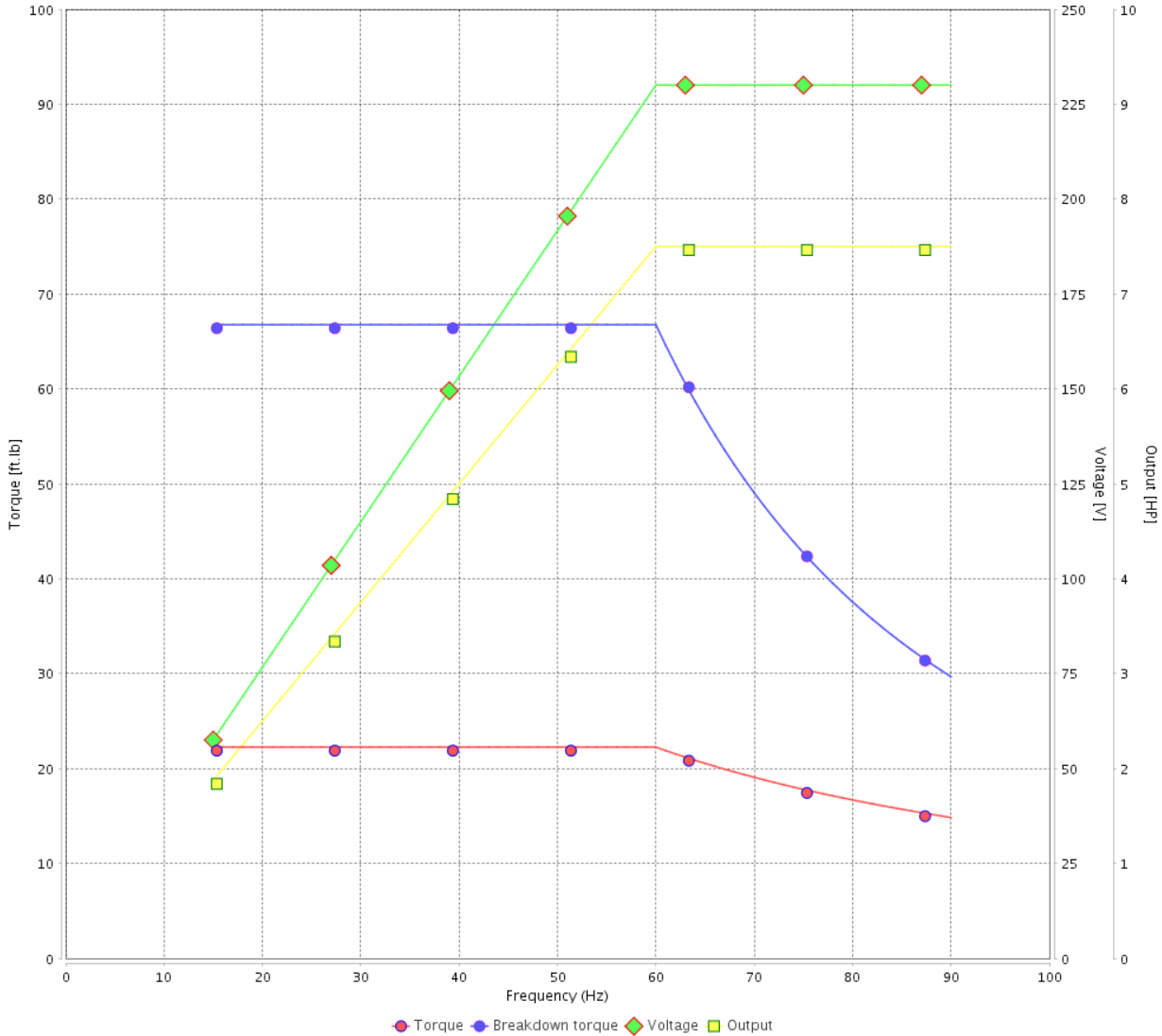
Customer :

Product line : NEMA Premium Efficiency Three-Phase

Product code : 12674985

Catalog # : 00718ET3E213T-SG

VFD OPERATION CURVE



Performance : 230/460 V 60 Hz 4P

Rated current : 18.1/9.07 A
 LRC : 7.3
 Rated torque : 22.3 ft.lb
 Locked rotor torque : 260 %
 Breakdown torque : 300 %
 Rated speed : 1770 rpm

Moment of inertia (J) : 0.9380 sq.ft.lb
 Duty cycle : Cont.(S1)
 Insulation class : F
 Service factor : 1.15
 Temperature rise : 80 K
 Design : B

Rev.	Changes Summary	Performed	Checked	Date
Performed by			Page 14 / 16	Revision
Checked by				
Date	13/04/2022			

VFD OPERATION CURVE

Three Phase Induction Motor - Squirrel Cage

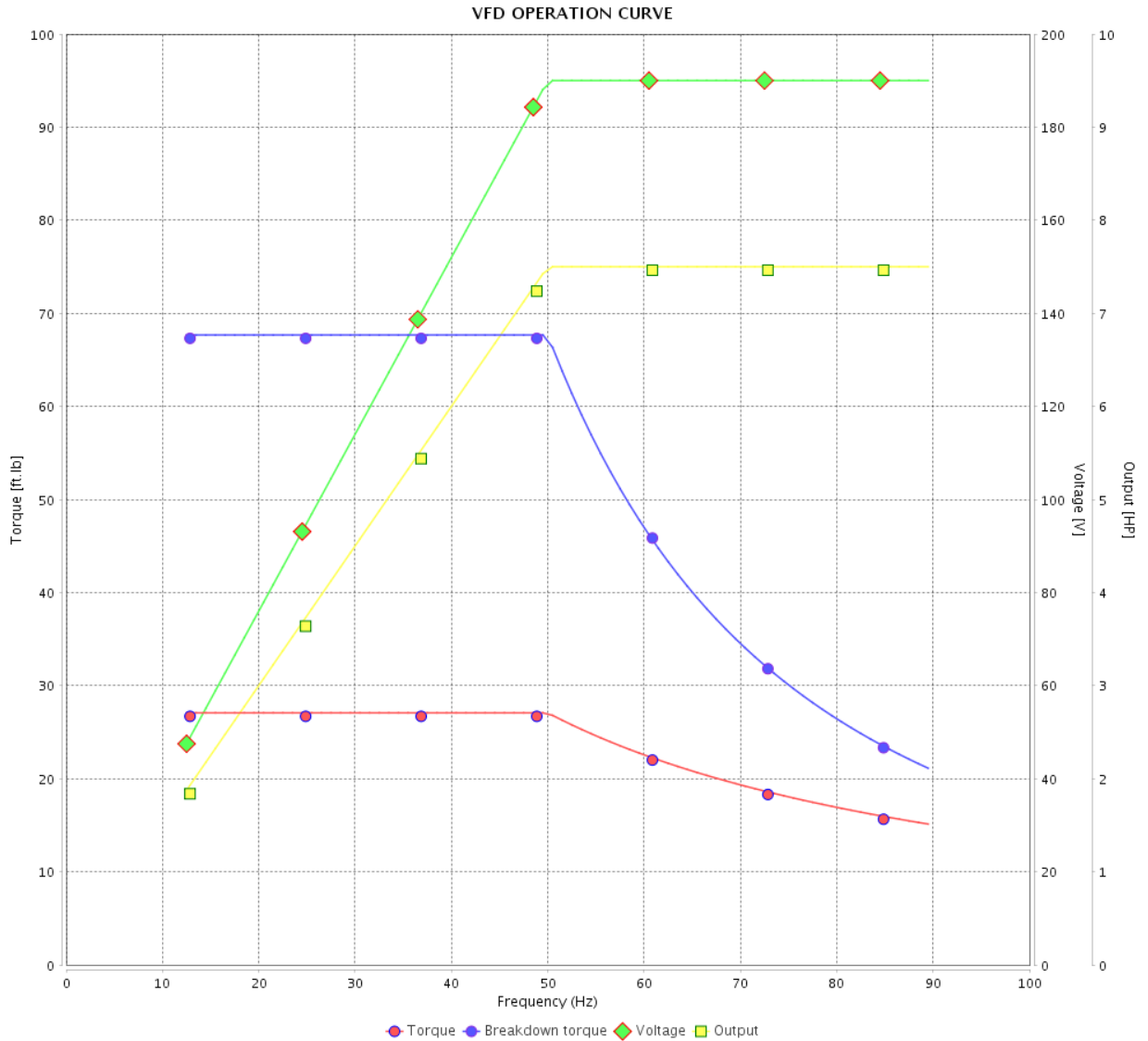


Customer : _____

Product line : NEMA Premium Efficiency Three-Phase

Product code : 12674985

Catalog # : 00718ET3E213T-SG



Performance : 190/380 V 50 Hz 4P

Rated current : 22.0/11.0 A
 LRC : 6.2
 Rated torque : 27.1 ft.lb
 Locked rotor torque : 190 %
 Breakdown torque : 250 %
 Rated speed : 1455 rpm

Moment of inertia (J) : 0.9380 sq.ft.lb
 Duty cycle : Cont.(S1)
 Insulation class : F
 Service factor : 1.00
 Temperature rise : 105 K
 Design : B

Rev.	Changes Summary	Performed	Checked	Date
Performed by				Page 15 / 16
Checked by				
Date	13/04/2022			

VFD OPERATION CURVE

Three Phase Induction Motor - Squirrel Cage



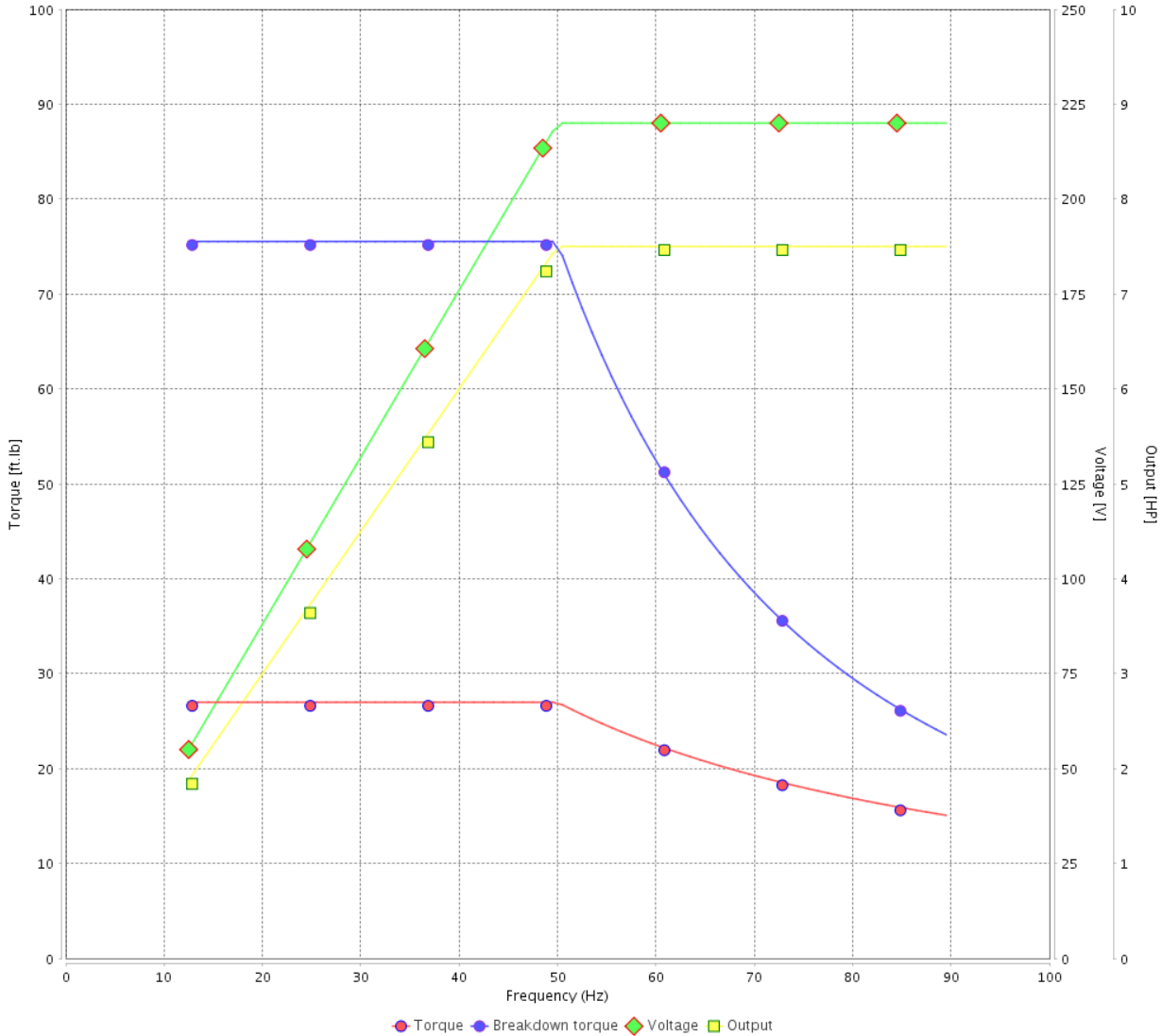
Customer :

Product line : NEMA Premium Efficiency Three-Phase

Product code : 12674985

Catalog # : 00718ET3E213T-SG

VFD OPERATION CURVE



Performance : 220/415 V 50 Hz 4P

Rated current : 20.0/10.6 A
 LRC : 6.8
 Rated torque : 27.0 ft.lb
 Locked rotor torque : 220 %
 Breakdown torque : 280 %
 Rated speed : 1460 rpm

Moment of inertia (J) : 0.9380 sq.ft.lb
 Duty cycle : Cont.(S1)
 Insulation class : F
 Service factor : 1.00
 Temperature rise : 80 K
 Design : B

Rev.	Changes Summary	Performed	Checked	Date
Performed by			Page 16 / 16	Revision
Checked by				
Date	13/04/2022			

1 2 3 4 5 6

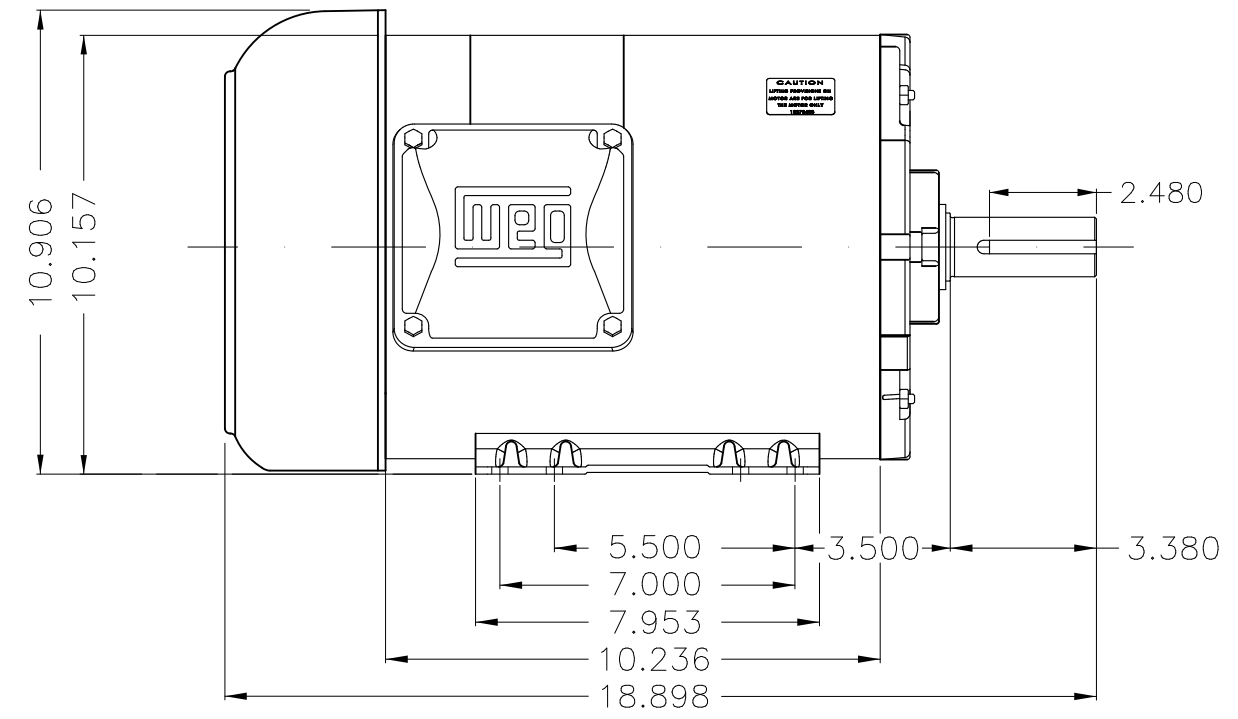
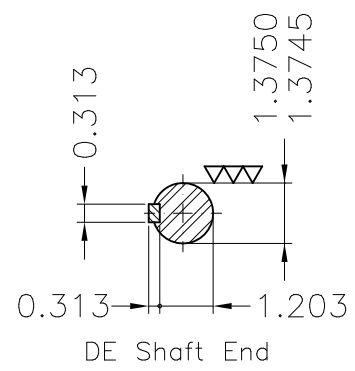
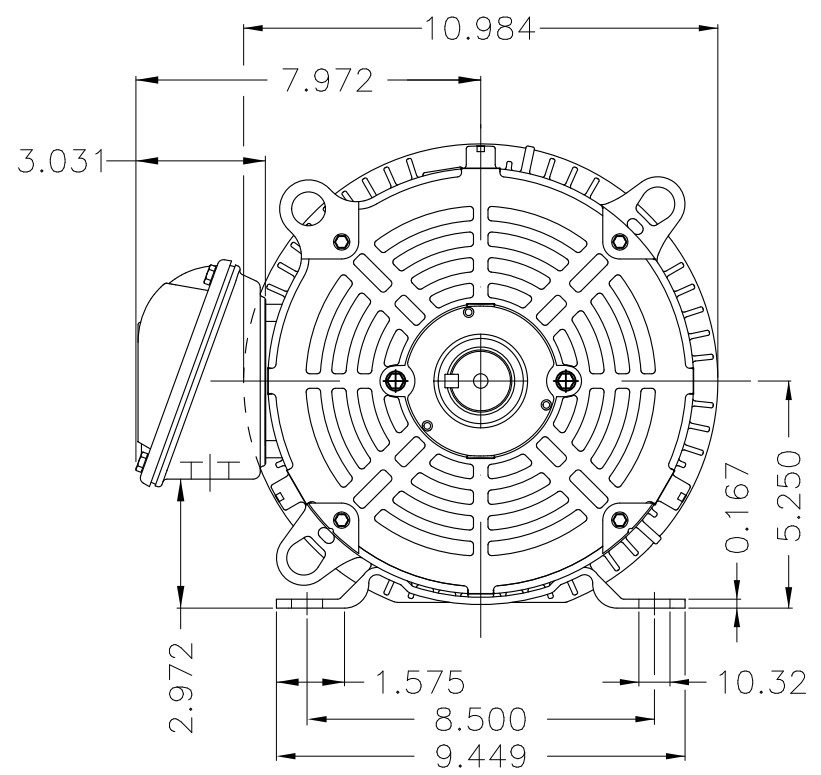
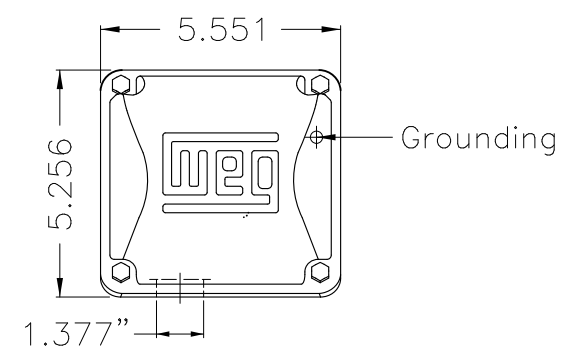
A

B

C

D

E



- Bearing cap
- Internal AEGIS ground ring on the DE
- Color Munsell N 1 matte black
- Painting plan 207N
- Mounting F-1/B3R(D)

ECM	LOC	SUMMARY OF MODIFICATIONS	EXECUTED	CHECKED	RELEASED	DATE	VER
EXECUTED	PIRWUSER	THREE PH. MOTOR ROLLED STEEL PREM. EFF. FRAME 213/5T IP55 TEFC					
CHECKED							
RELEASED							
REL DT.	WMO	Jaragua do Sul	Product Engineering	SHEET 1 / 1		PREVIEW WDD	

7.5 HP 04 Poles 60 Hz

A

Dimensions in inches XME A3



**NEMA**
Premium

MADE IN MEXICO

MAT: 12674985 CC029A**W01.TE0IC0X0N****MODEL 00718ET3E213T-SG****15MAR2022 S/N:**

PH 3	Hz 60	HP 7.5
FR 213/5T		KW 5.5
DUTY CONT.		V 230/460
ALT 1000 m.a.s.l.		A 18.1/9.07
INS CL F AT 80K	IP55	SFA 20.8/10.4
AMB 40°C	DES B	SF 1.15
ENCL TEFC	CODE H	PF 0.82
USABLE @ 208V 20.1A		RPM 1770
SF1.00		NEMA NOM. EFF 91.7%

ALTERNATE RATING: 7.5HP 50Hz 190-220/380-415V SF1.00
22.0-19.4/11.0-10.3A 1455RPM EFF 88.6% (IE2) IEC 60034-1

Inverter duty motor For 80Hz use on VPWM 1000:1 VT, 4:1 CT

DE 6208-ZZ ODE 6206-ZZ MOBIL POLYREX EM



T1-BLU T2-WHT
 T3-ORG T4-YEL
 T5-BLK T6-GRY
 T7-PNK T8-RED
 T9-BRK RED

INTERCHANGE ANY TWO LINE WIRES TO REVERSE THE ROTATION



WARNING: Motor must be grounded in accordance with local and national electrical codes to prevent serious electrical shocks. Disconnect power source before servicing unit.

AVERTISSEMENT: Le moteur doit être mis à la terre

conformément aux codes électriques locaux et nationaux afin d'éviter tout choc électrique grave. Déconnectez l'alimentation avant l'entretien de la machine.

