

DATA SHEET



Three Phase Induction Motor - Squirrel Cage

Customer : _____																
Product line : JM Pump NEMA Premium Efficiency Three-Phase	Product code : 12676981 Catalog # : 00718OT3H213JM-S															
Frame : 213/5JM Output : 7.5 HP (5.5 kW) Poles : 4 Frequency : 60 Hz Rated voltage : 575 V Rated current : 7.40 A L. R. Amperes : 53.3 A LRC : 7.2x(Code H) No load current : 3.51 A Rated speed : 1770 rpm Slip : 1.67 % Rated torque : 22.3 ft.lb Locked rotor torque : 240 % Breakdown torque : 320 % Insulation class : F Service factor : 1.15 Moment of inertia (J) : 1.03 sq.ft.lb Design : B	Locked rotor time : 23s (cold) 13s (hot) Temperature rise : 80 K Duty cycle : Cont.(S1) Ambient temperature : -20°C to +40°C Altitude : 1000 m.a.s.l. Cooling method : IC01 - ODP Mounting : F-1 Rotation ¹ : Both (CW and CCW) Noise level ² : 59.0 dB(A) Starting method : Direct On Line Approx. weight ³ : 126 lb															
<table border="1" style="width:100%; border-collapse: collapse;"> <tr> <td>Output</td> <td>25%</td> <td>50%</td> <td>75%</td> <td>100%</td> </tr> <tr> <td>Efficiency (%)</td> <td>88.6</td> <td>89.5</td> <td>90.2</td> <td>91.0</td> </tr> <tr> <td>Power Factor</td> <td>0.39</td> <td>0.65</td> <td>0.77</td> <td>0.82</td> </tr> </table>	Output	25%	50%	75%	100%	Efficiency (%)	88.6	89.5	90.2	91.0	Power Factor	0.39	0.65	0.77	0.82	Foundation loads Max. traction : 338 lb Max. compression : 465 lb
Output	25%	50%	75%	100%												
Efficiency (%)	88.6	89.5	90.2	91.0												
Power Factor	0.39	0.65	0.77	0.82												
Bearing type : Sealing : Lubrication interval : Lubricant amount : Lubricant type :	<table style="width:100%;"> <tr> <td style="text-align:center;"><u>Drive end</u></td> <td style="text-align:center;"><u>Non drive end</u></td> </tr> <tr> <td style="text-align:center;">6209 ZZ</td> <td style="text-align:center;">6206 ZZ</td> </tr> <tr> <td style="text-align:center;">Without Bearing Seal</td> <td style="text-align:center;">Without Bearing Seal</td> </tr> <tr> <td style="text-align:center;">-</td> <td style="text-align:center;">-</td> </tr> <tr> <td style="text-align:center;">-</td> <td style="text-align:center;">-</td> </tr> <tr> <td colspan="2" style="text-align:center;">Mobil Polyrex EM</td> </tr> </table>	<u>Drive end</u>	<u>Non drive end</u>	6209 ZZ	6206 ZZ	Without Bearing Seal	Without Bearing Seal	-	-	-	-	Mobil Polyrex EM				
<u>Drive end</u>	<u>Non drive end</u>															
6209 ZZ	6206 ZZ															
Without Bearing Seal	Without Bearing Seal															
-	-															
-	-															
Mobil Polyrex EM																
Notes																
This revision replaces and cancel the previous one, which must be eliminated. (1) Looking the motor from the shaft end. (2) Measured at 1m and with tolerance of +3dB(A). (3) Approximate weight subject to changes after manufacturing process. (4) At 100% of full load.	These are average values based on tests with sinusoidal power supply, subject to the tolerances stipulated in NEMA MG-1.															
Rev.	Changes Summary	Performed	Checked	Date												
Performed by																
Checked by			Page	Revision												
Date	13/04/2022		1 / 6													

TORQUE AND CURRENT VS SPEED CURVE

Three Phase Induction Motor - Squirrel Cage



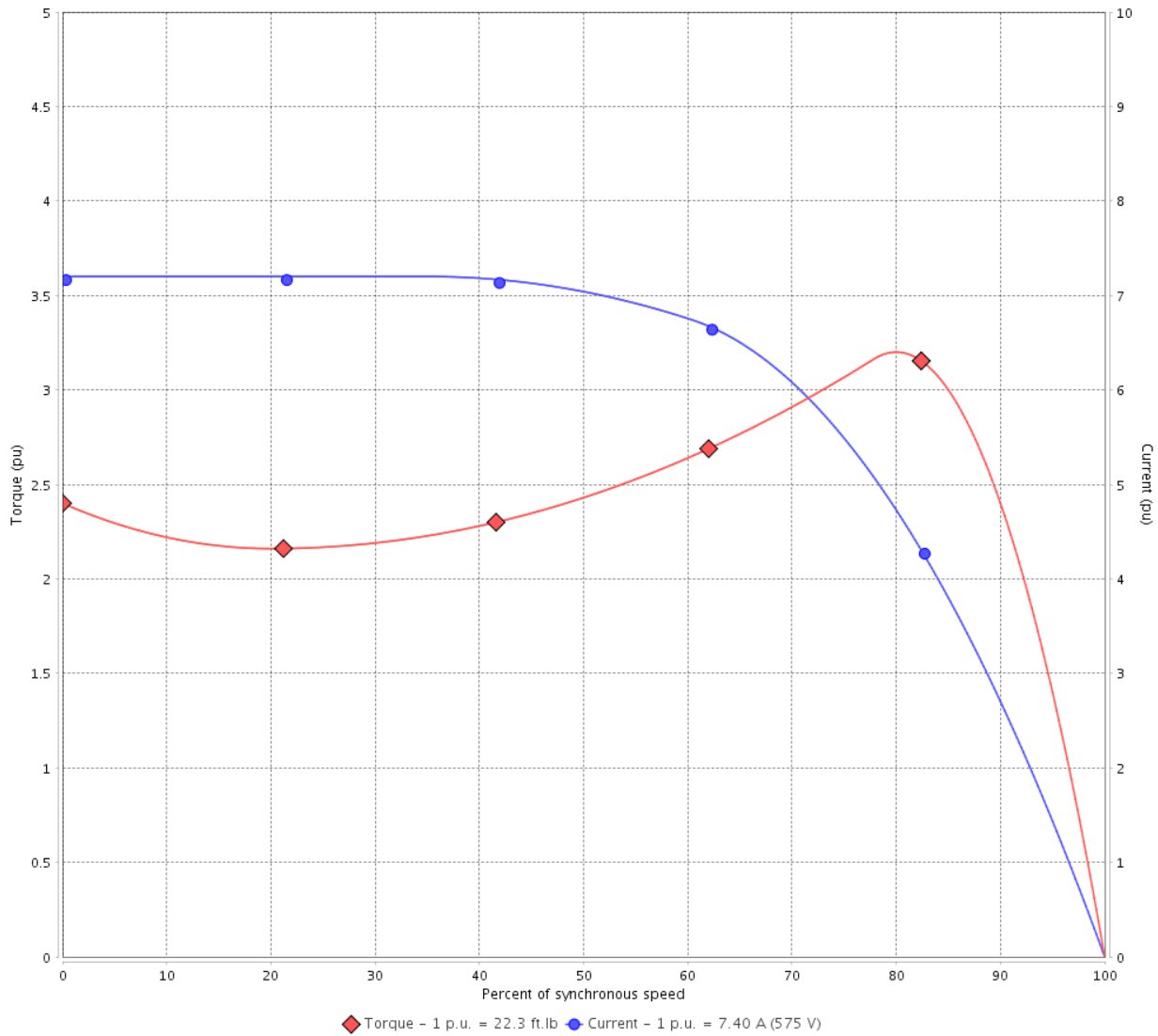
Customer :

Product line : JM Pump NEMA Premium Efficiency Three-Phase

Product code : 12676981

Catalog # : 00718OT3H213JM-S

TORQUE AND CURRENT VS SPEED CURVE



Performance : 575 V 60 Hz 4P

Rated current	: 7.40 A	Moment of inertia (J)	: 1.03 sq.ft.lb
LRC	: 7.2	Duty cycle	: Cont.(S1)
Rated torque	: 22.3 ft.lb	Insulation class	: F
Locked rotor torque	: 240 %	Service factor	: 1.15
Breakdown torque	: 320 %	Temperature rise	: 80 K
Rated speed	: 1770 rpm	Design	: B

Locked rotor time : 23s (cold) 13s (hot)

Rev.	Changes Summary	Performed	Checked	Date
Performed by			Page 2 / 6	Revision
Checked by				
Date	13/04/2022			

LOAD PERFORMANCE CURVE

Three Phase Induction Motor - Squirrel Cage

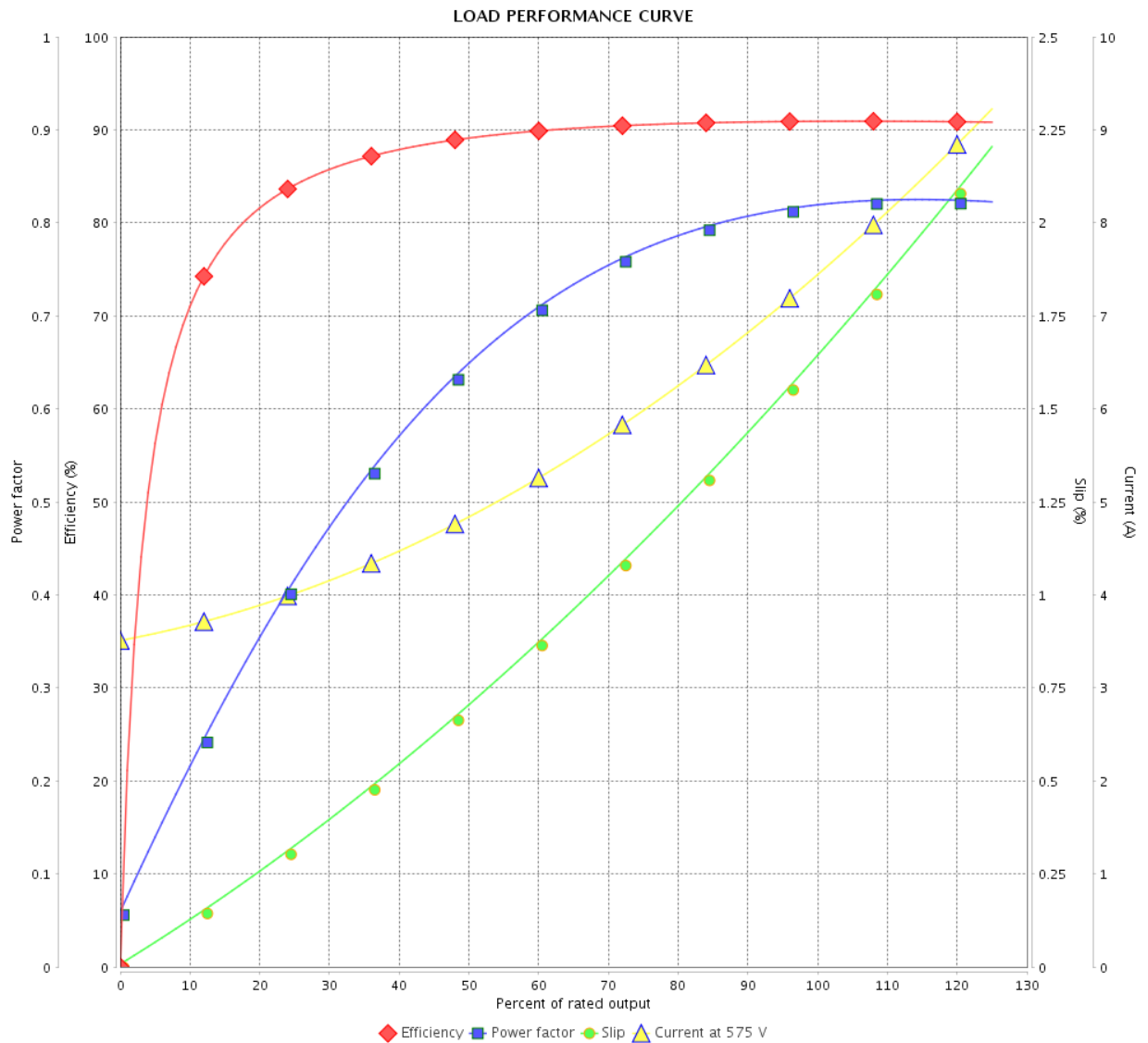


Customer :

Product line : JM Pump NEMA Premium Efficiency Three-Phase

Product code : 12676981

Catalog # : 00718OT3H213JM-S



Performance : 575 V 60 Hz 4P

Rated current : 7.40 A
 LRC : 7.2
 Rated torque : 22.3 ft.lb
 Locked rotor torque : 240 %
 Breakdown torque : 320 %
 Rated speed : 1770 rpm

Moment of inertia (J) : 1.03 sq.ft.lb
 Duty cycle : Cont.(S1)
 Insulation class : F
 Service factor : 1.15
 Temperature rise : 80 K
 Design : B

Rev.	Changes Summary	Performed	Checked	Date
Performed by		Page		Revision
Checked by		3 / 6		
Date		13/04/2022		

THERMAL LIMIT CURVE



Three Phase Induction Motor - Squirrel Cage

Customer :

Product line : JM Pump NEMA Premium
Efficiency Three-Phase

Product code : 12676981

Catalog # : 00718OT3H213JM-S

Performance : 575 V 60 Hz 4P

Rated current : 7.40 A
LRC : 7.2
Rated torque : 22.3 ft.lb
Locked rotor torque : 240 %
Breakdown torque : 320 %
Rated speed : 1770 rpm

Moment of inertia (J) : 1.03 sq.ft.lb
Duty cycle : Cont.(S1)
Insulation class : F
Service factor : 1.15
Temperature rise : 80 K
Design : B

Heating constant

Cooling constant

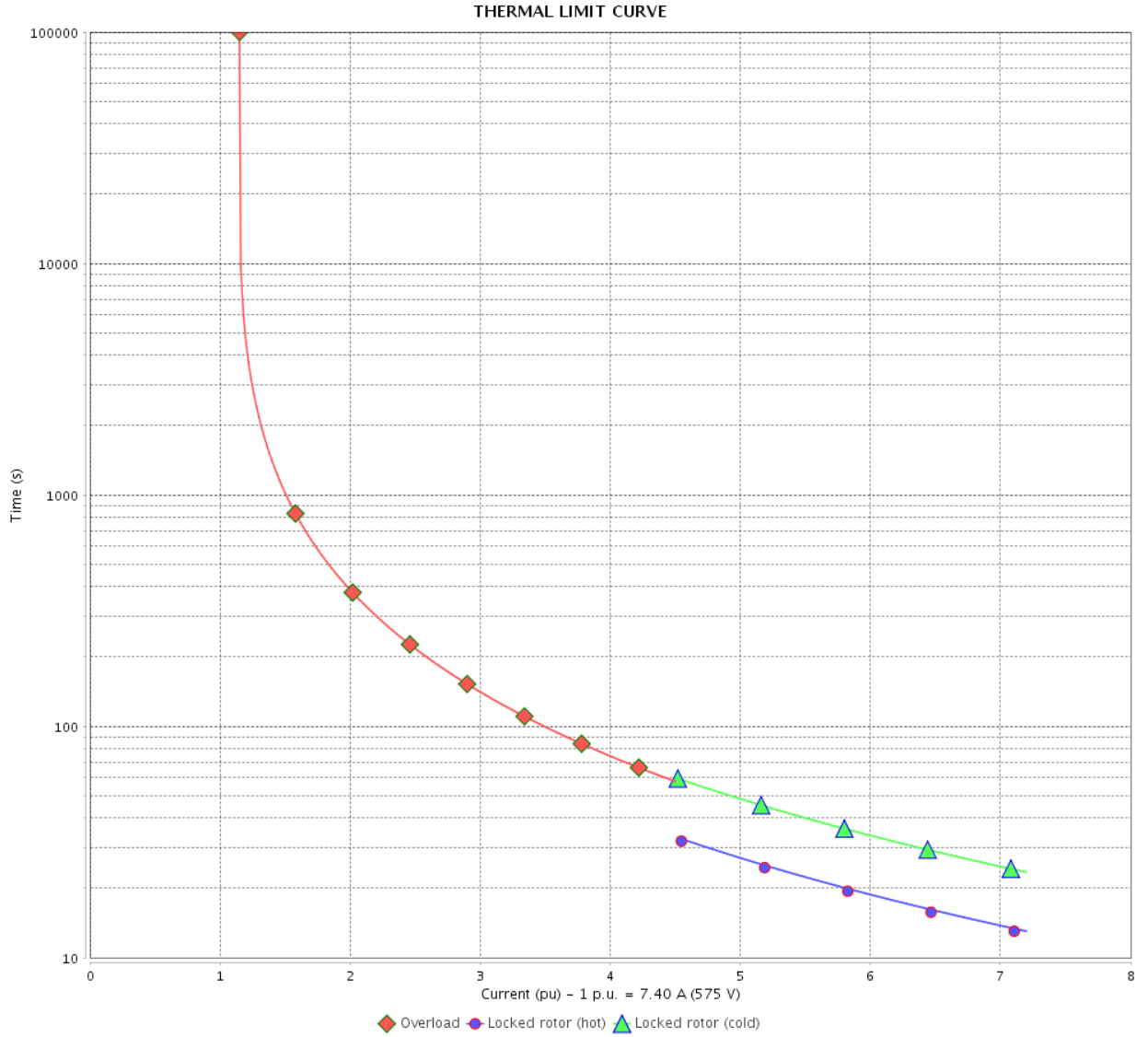
Rev.	Changes Summary	Performed	Checked	Date
Performed by				
Checked by			Page	Revision
Date	13/04/2022		4 / 6	

THERMAL LIMIT CURVE

Three Phase Induction Motor - Squirrel Cage



Customer : _____



Rev.	Changes Summary	Performed	Checked	Date
Performed by		Page 5 / 6		Revision
Checked by				
Date				

VFD OPERATION CURVE

Three Phase Induction Motor - Squirrel Cage



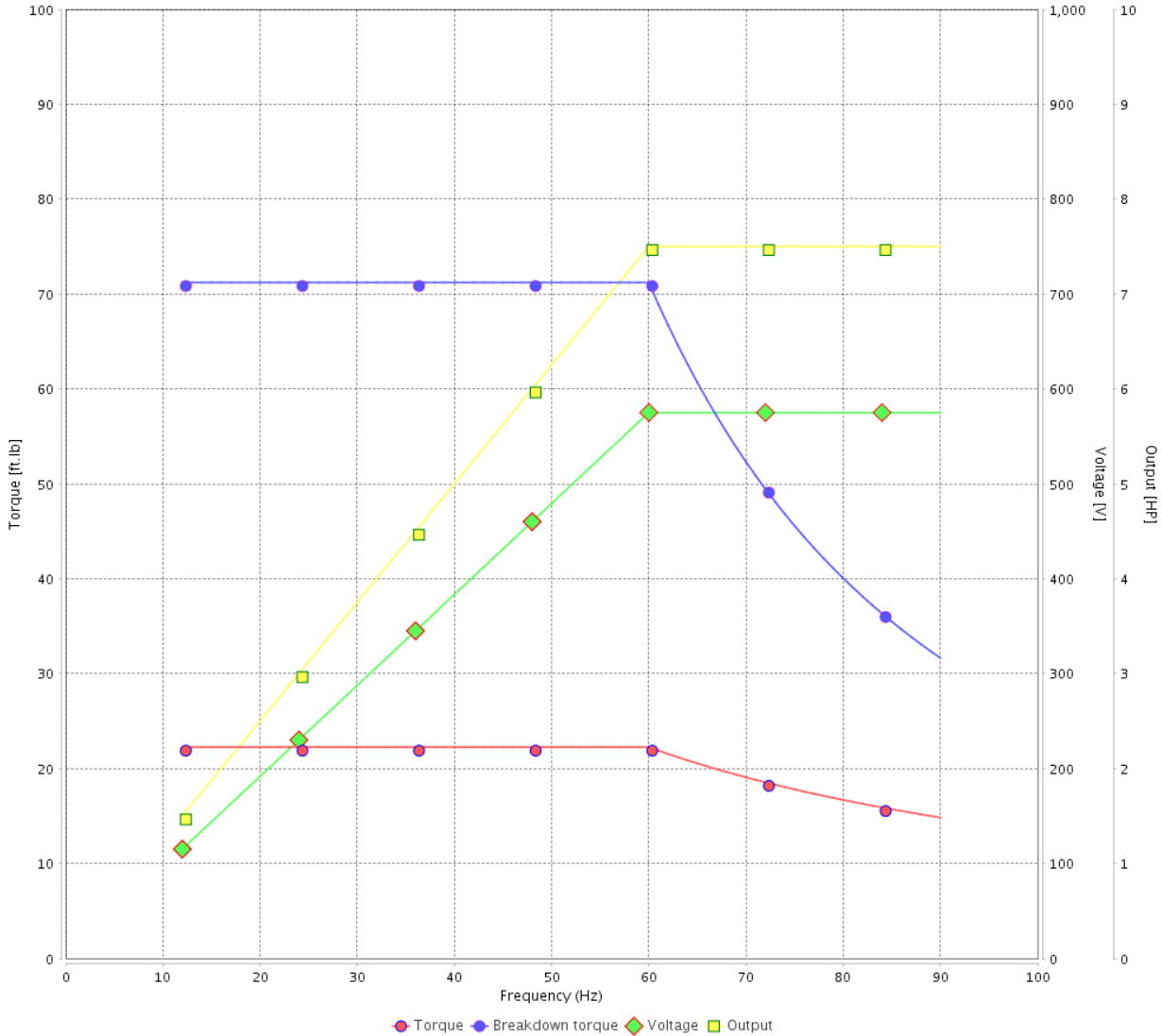
Customer :

Product line : JM Pump NEMA Premium Efficiency Three-Phase

Product code : 12676981

Catalog # : 007180T3H213JM-S

VFD OPERATION CURVE



Performance : 575 V 60 Hz 4P

Rated current : 7.40 A
 LRC : 7.2
 Rated torque : 22.3 ft.lb
 Locked rotor torque : 240 %
 Breakdown torque : 320 %
 Rated speed : 1770 rpm

Moment of inertia (J) : 1.03 sq.ft.lb
 Duty cycle : Cont.(S1)
 Insulation class : F
 Service factor : 1.15
 Temperature rise : 80 K
 Design : B

Rev.	Changes Summary	Performed	Checked	Date
Performed by			Page 6 / 6	Revision
Checked by				
Date	13/04/2022			

1 2 3 4 5 6

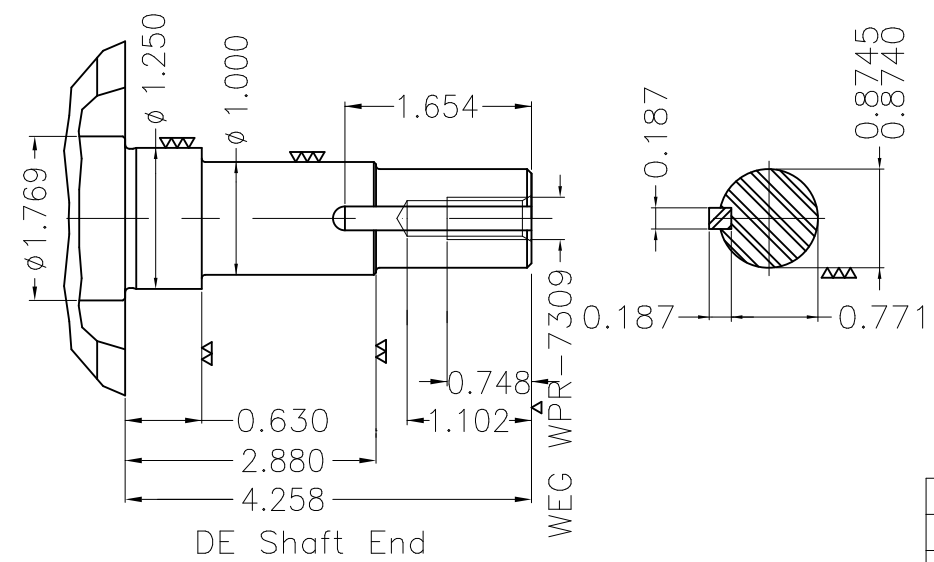
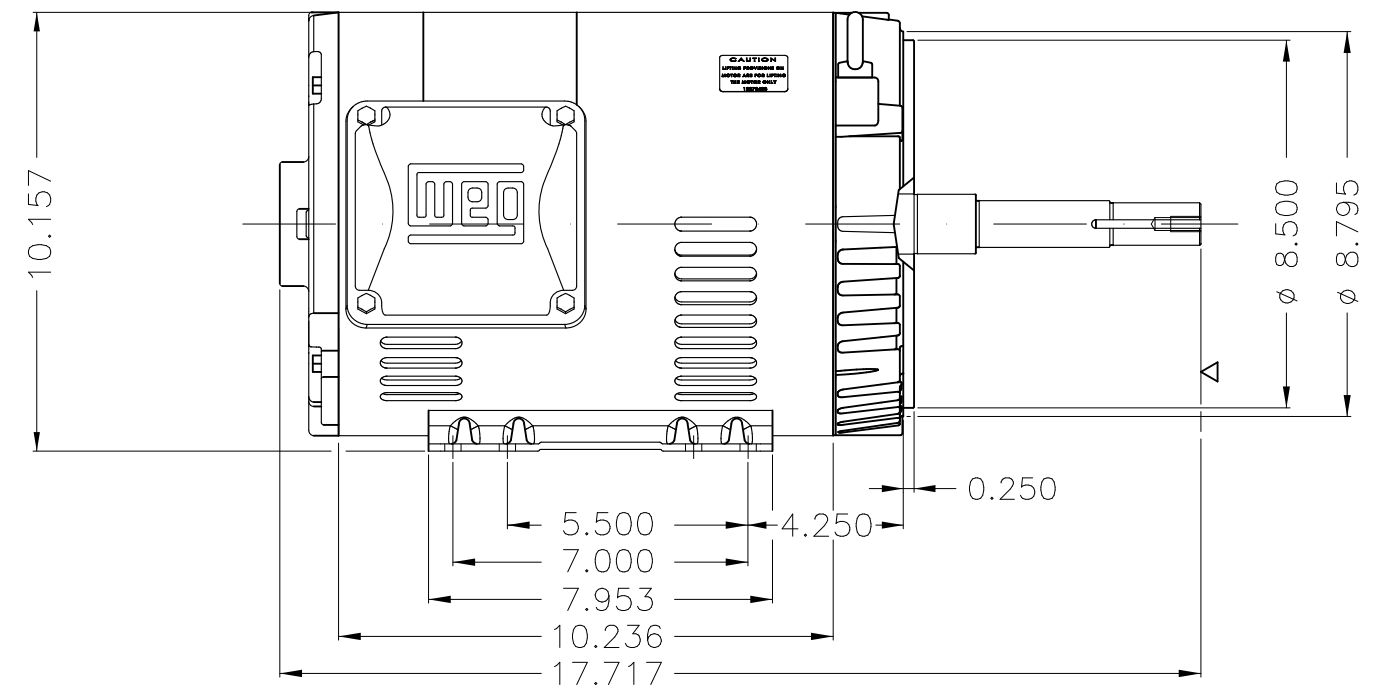
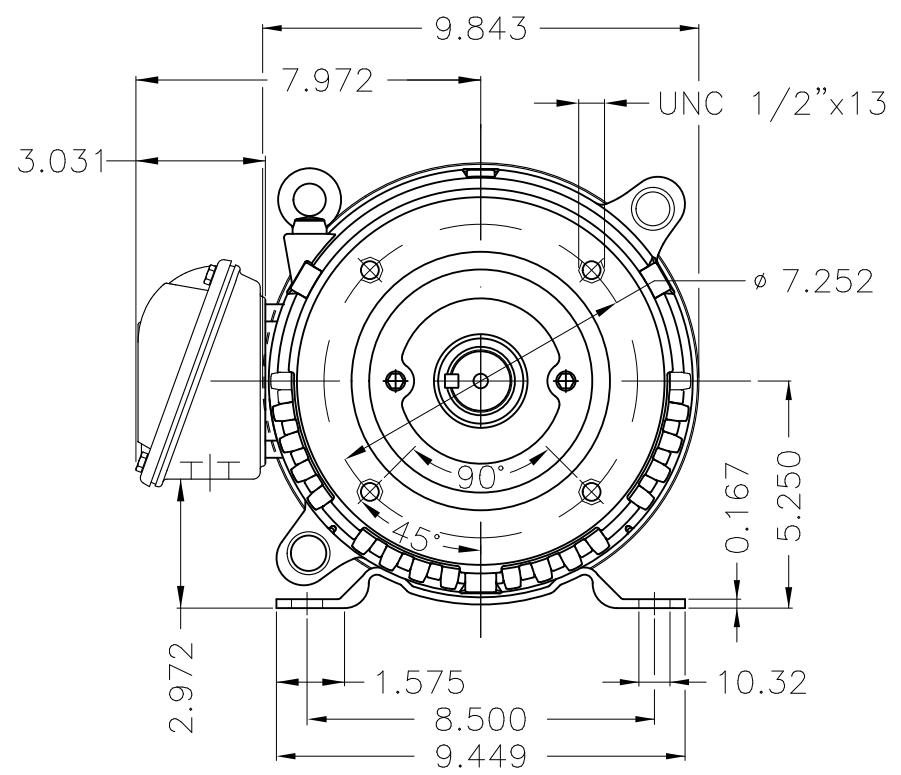
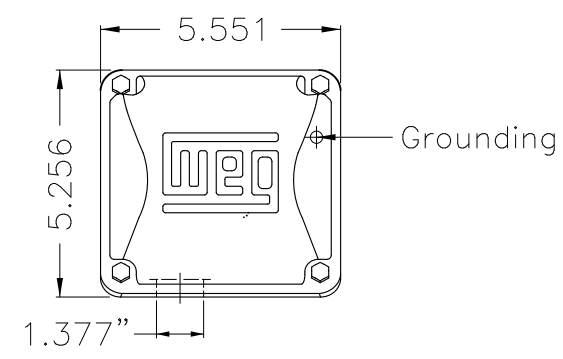
A

B

C

D

E



EUNC 3/8" - 16 WEG WPR-7309

Color Munsell N 1 matte black									
Painting plan 207N									
Mounting F-1/B34R(D)									
ECM	LOC	SUMMARY OF MODIFICATIONS			EXECUTED	CHECKED	RELEASED	DATE	VER
EXECUTED	PIRBUSER	THREE PH. MOTOR ROLLED STEEL CLOSE COUPLED PUMP JN TYPE PSE 107							
CHECKED		FRAME 213/5JM IP21 ODP							
RELEASED									
REL DT.		WMO	Jaragua do Sul	Product Engineering					

7.5 HP 04 Poles 60 Hz

REL DT. WMO Jaragua do Sul Product Engineering SHEET 1 / 1



Dimensions in inches XME A3

**NEMA**
Premium

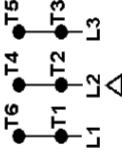
MADE IN MEXICO

MAT: 12676981 CC029A
W01.T00IC0X0N
JM007504DPNPW01
29OCT2021 S/N:

PH 3	Hz 60	HP 7.5
FR 213/5JM		KW 5.5
DUTY CONT.		V 575
ALT 1000 m.a.s.l		A 7.40
INS CL F AT 80K		SFA 8.51
AMB 40°C	DES B	SF 1.15
ENCL ODP	CODE H	PF 0.82
		RPM 1770
		NEMA NOM. EFF 91.0%

Inverter duty motor For use on VPWM 1000:1 VT, 5:1 CT

DE 6209-ZZ ODE 6206-ZZ MOBIL POLYREX EM



T1-BLU
 T2-WHT
 T3-ORG
 T4-YEL
 T5-BLK
 T6-GRY

INTERCHANGE ANY TWO LINE WIRES TO REVERSE THE ROTATION

WARNING: Motor must be grounded in accordance with local and national electrical codes to prevent serious electrical shocks. Disconnect power source before servicing unit.

**AVERTISSEMENT:** Le moteur doit être mis à la terre

conformément aux codes électriques locaux et nationaux afin d'éviter tout choc électrique grave. Déconnectez l'alimentation avant l'entretien de la machine.

