

TORQUE AND CURRENT VS SPEED CURVE

Three Phase Induction Motor - Squirrel Cage



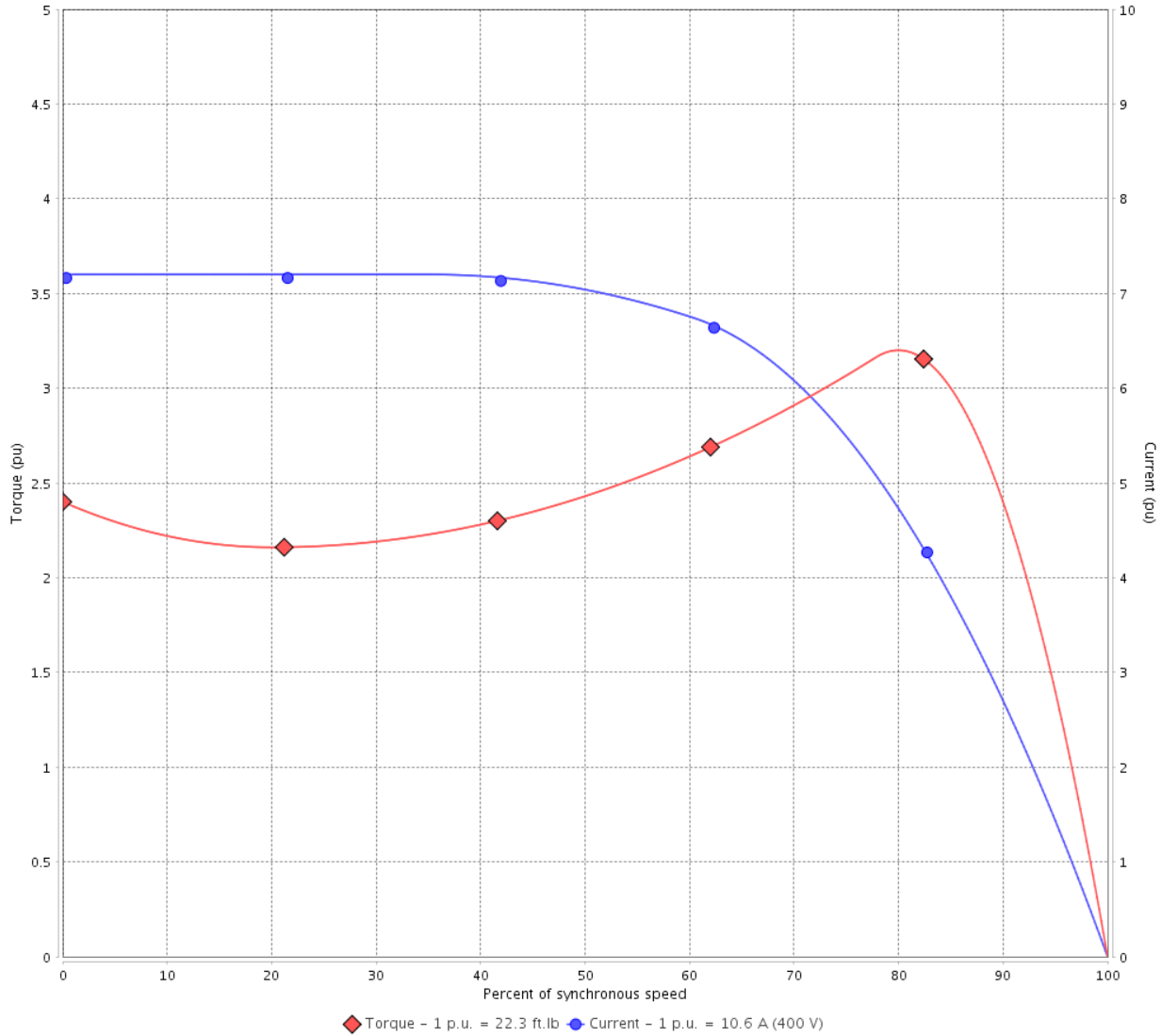
Customer :

Product line : JM Pump NEMA Premium Efficiency Three-Phase

Product code : 13453166

Catalog # : 00718OT3V213JM-S

TORQUE AND CURRENT VS SPEED CURVE



Performance : 200/400 V 60 Hz 4P

Rated current	: 21.3/10.6 A	Moment of inertia (J)	: 1.03 sq.ft.lb
LRC	: 7.2	Duty cycle	: Cont.(S1)
Rated torque	: 22.3 ft.lb	Insulation class	: F
Locked rotor torque	: 240 %	Service factor	: 1.15
Breakdown torque	: 320 %	Temperature rise	: 80 K
Rated speed	: 1770 rpm	Design	: B

Locked rotor time : 23s (cold) 13s (hot)

Rev.	Changes Summary	Performed	Checked	Date
Performed by			Page 2 / 6	Revision
Checked by				
Date	13/04/2022			

LOAD PERFORMANCE CURVE

Three Phase Induction Motor - Squirrel Cage

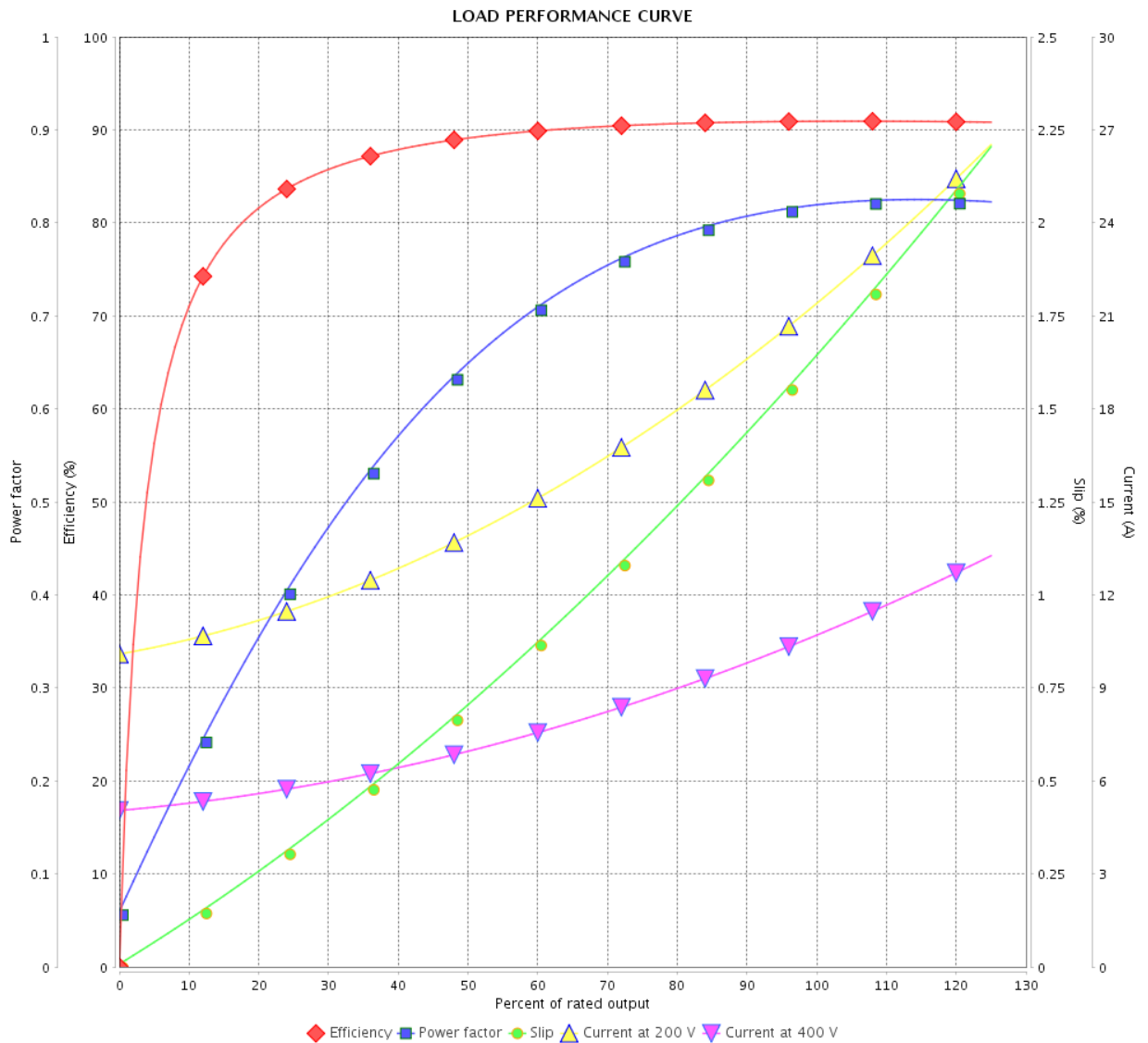


Customer :

Product line : JM Pump NEMA Premium Efficiency Three-Phase

Product code : 13453166

Catalog # : 00718OT3V213JM-S



Performance : 200/400 V 60 Hz 4P

Rated current : 21.3/10.6 A
 LRC : 7.2
 Rated torque : 22.3 ft.lb
 Locked rotor torque : 240 %
 Breakdown torque : 320 %
 Rated speed : 1770 rpm

Moment of inertia (J) : 1.03 sq.ft.lb
 Duty cycle : Cont.(S1)
 Insulation class : F
 Service factor : 1.15
 Temperature rise : 80 K
 Design : B

Rev.	Changes Summary	Performed	Checked	Date
Performed by			Page	Revision
Checked by			3 / 6	
Date	13/04/2022			

THERMAL LIMIT CURVE



Three Phase Induction Motor - Squirrel Cage

Customer :

Product line : JM Pump NEMA Premium
Efficiency Three-Phase

Product code : 13453166

Catalog # : 00718OT3V213JM-S

Performance : 200/400 V 60 Hz 4P

Rated current : 21.3/10.6 A
LRC : 7.2
Rated torque : 22.3 ft.lb
Locked rotor torque : 240 %
Breakdown torque : 320 %
Rated speed : 1770 rpm

Moment of inertia (J) : 1.03 sq.ft.lb
Duty cycle : Cont.(S1)
Insulation class : F
Service factor : 1.15
Temperature rise : 80 K
Design : B

Heating constant

Cooling constant

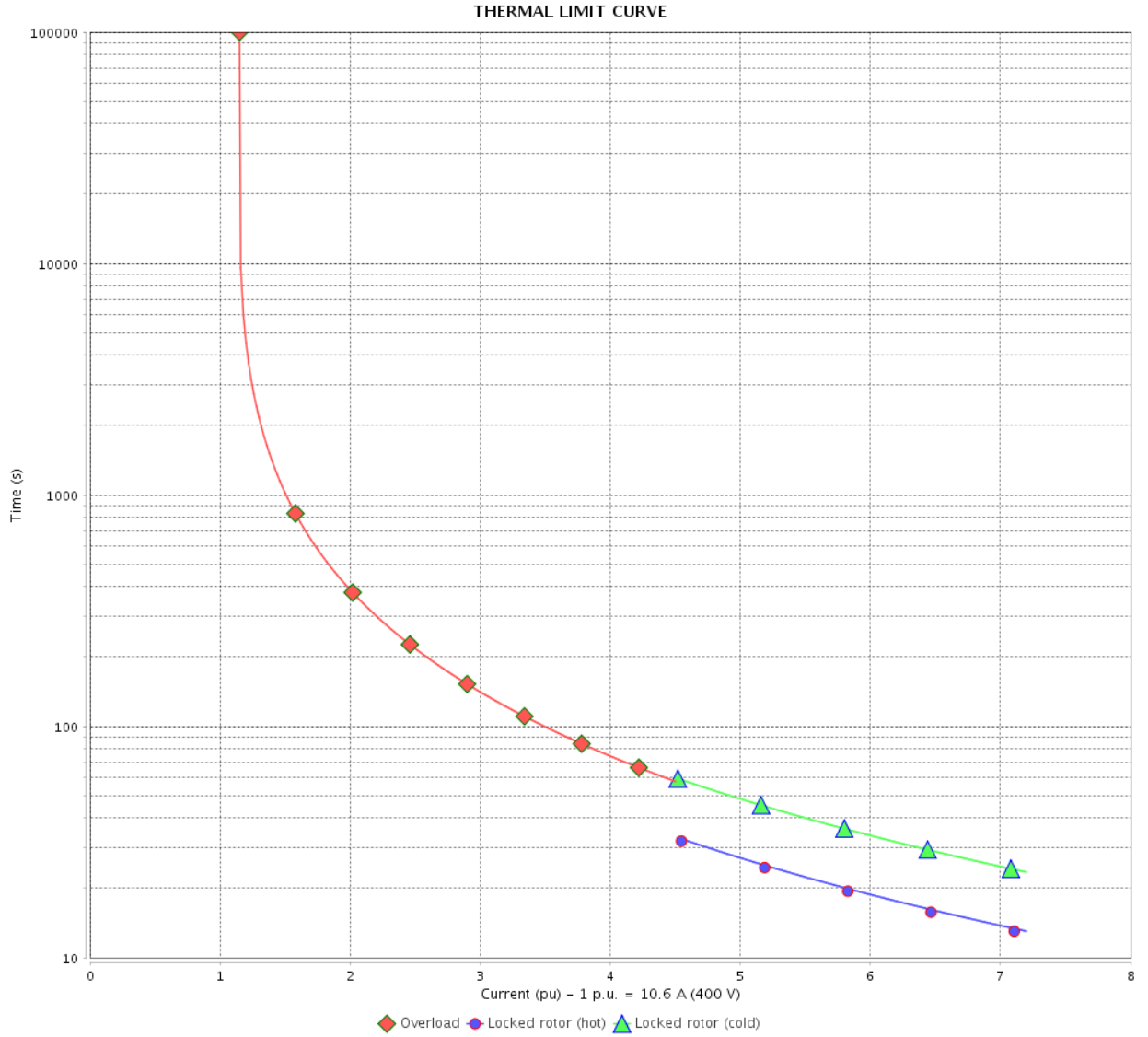
Rev.	Changes Summary	Performed	Checked	Date
Performed by				
Checked by			Page	Revision
Date	13/04/2022		4 / 6	

THERMAL LIMIT CURVE

Three Phase Induction Motor - Squirrel Cage



Customer : _____



Rev.	Changes Summary	Performed	Checked	Date
Performed by		Page 5 / 6		Revision
Checked by				
Date				

VFD OPERATION CURVE

Three Phase Induction Motor - Squirrel Cage



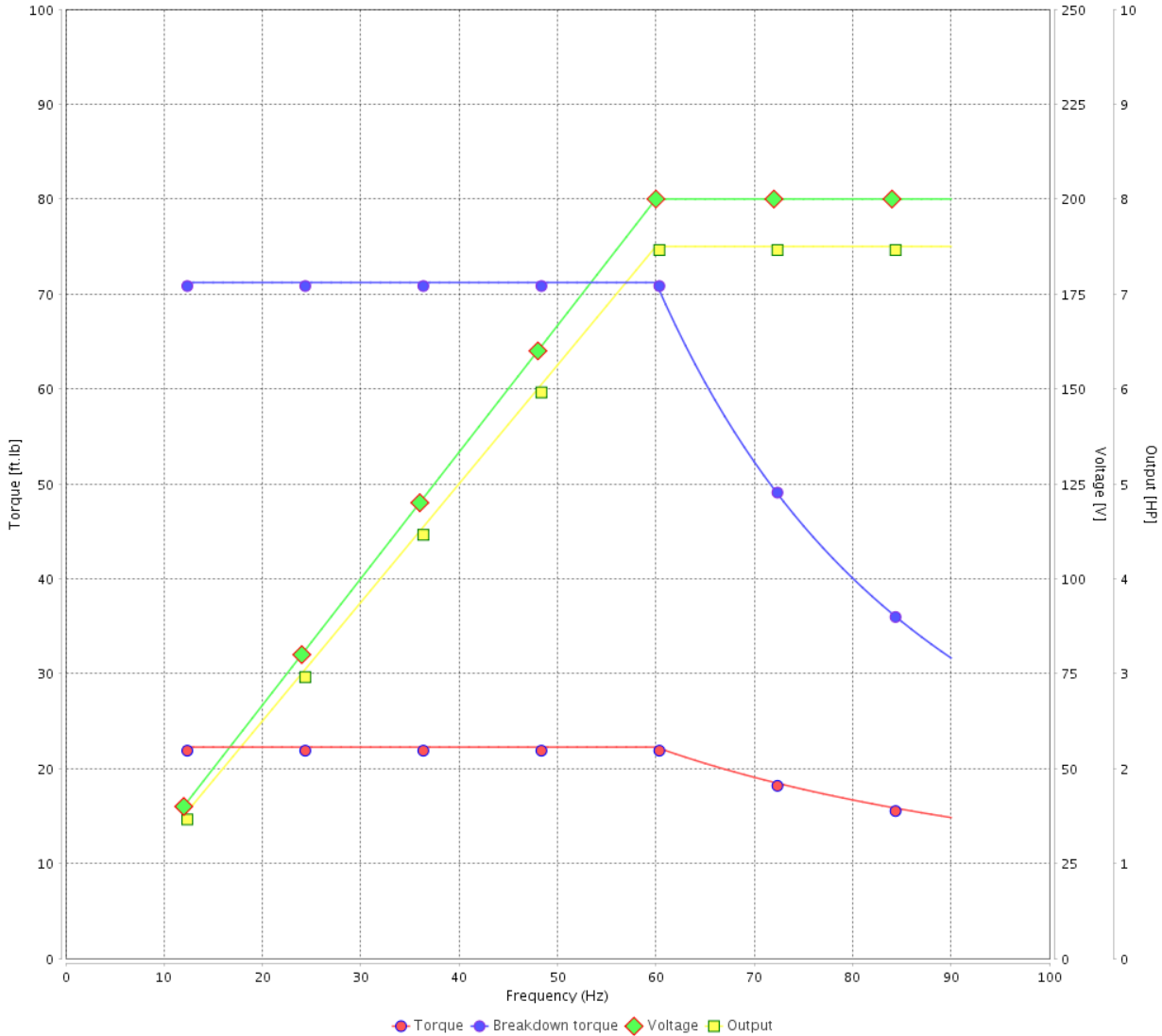
Customer :

Product line : JM Pump NEMA Premium Efficiency Three-Phase

Product code : 13453166

Catalog # : 00718OT3V213JM-S

VFD OPERATION CURVE



Performance : 200/400 V 60 Hz 4P

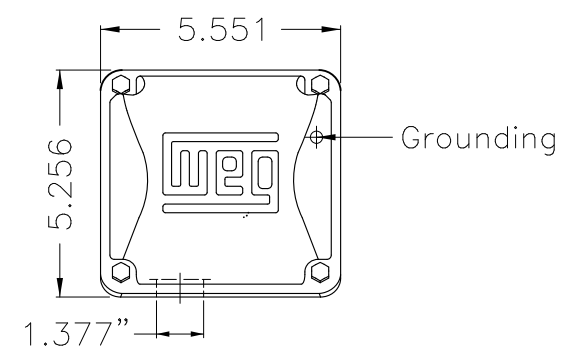
Rated current : 21.3/10.6 A
 LRC : 7.2
 Rated torque : 22.3 ft.lb
 Locked rotor torque : 240 %
 Breakdown torque : 320 %
 Rated speed : 1770 rpm

Moment of inertia (J) : 1.03 sq.ft.lb
 Duty cycle : Cont.(S1)
 Insulation class : F
 Service factor : 1.15
 Temperature rise : 80 K
 Design : B

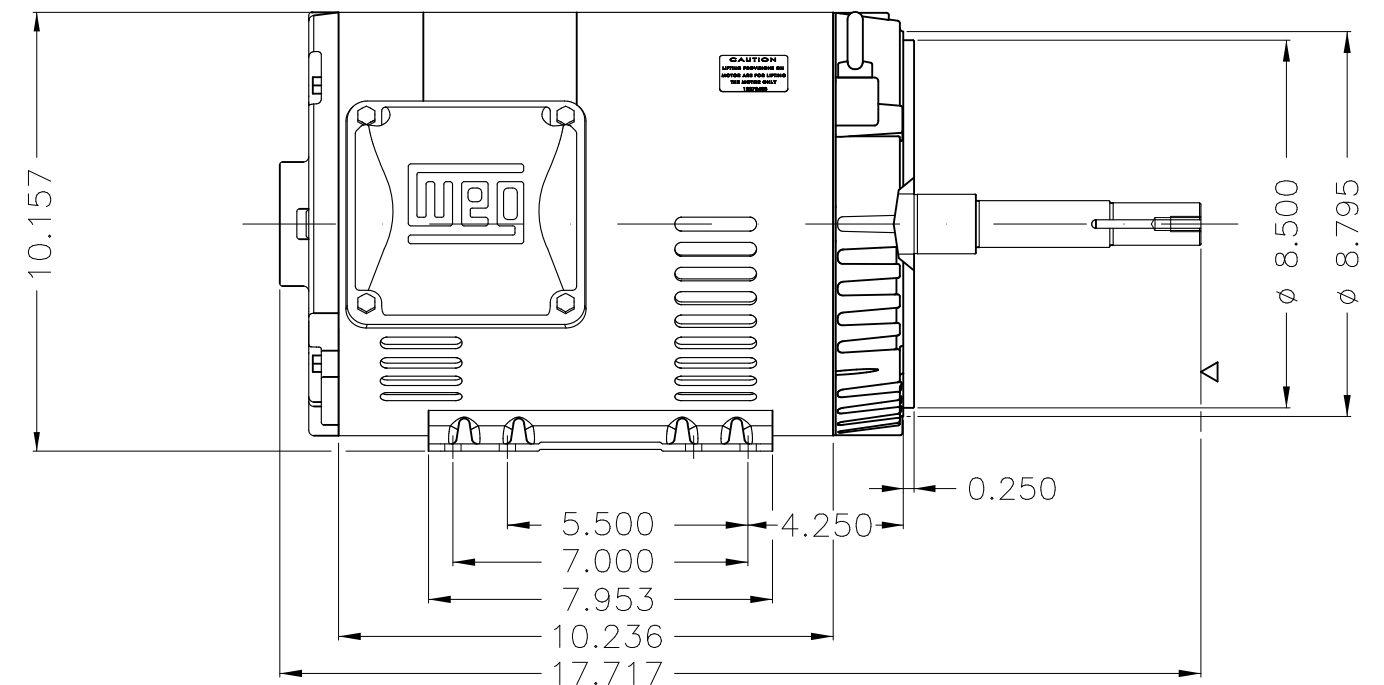
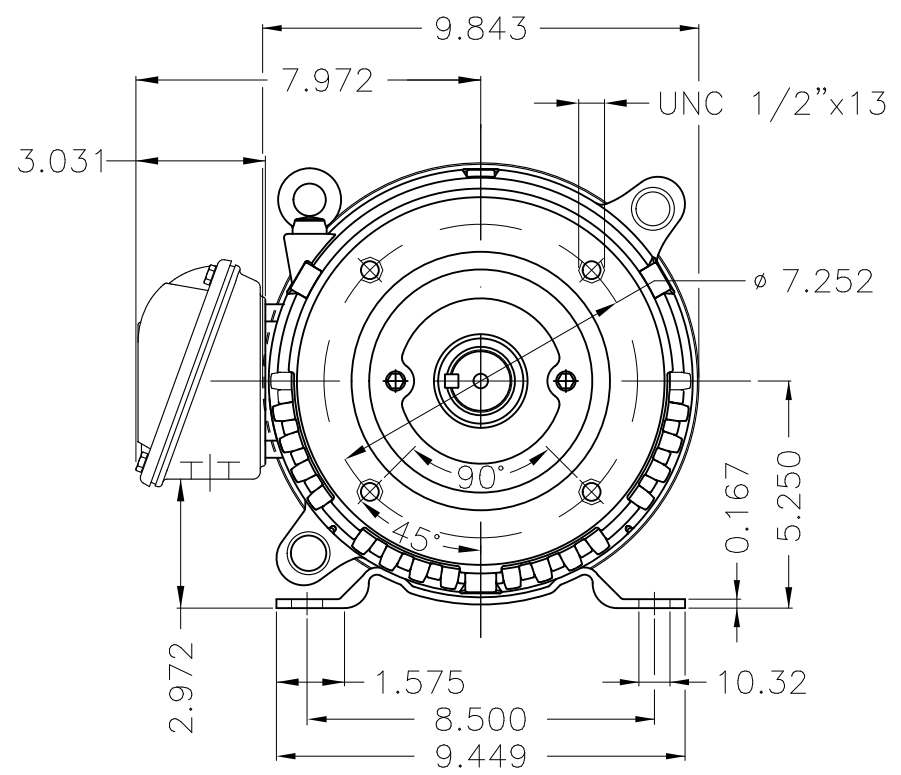
Rev.	Changes Summary	Performed	Checked	Date
Performed by			Page 6 / 6	Revision
Checked by				
Date	13/04/2022			

1 2 3 4 5 6

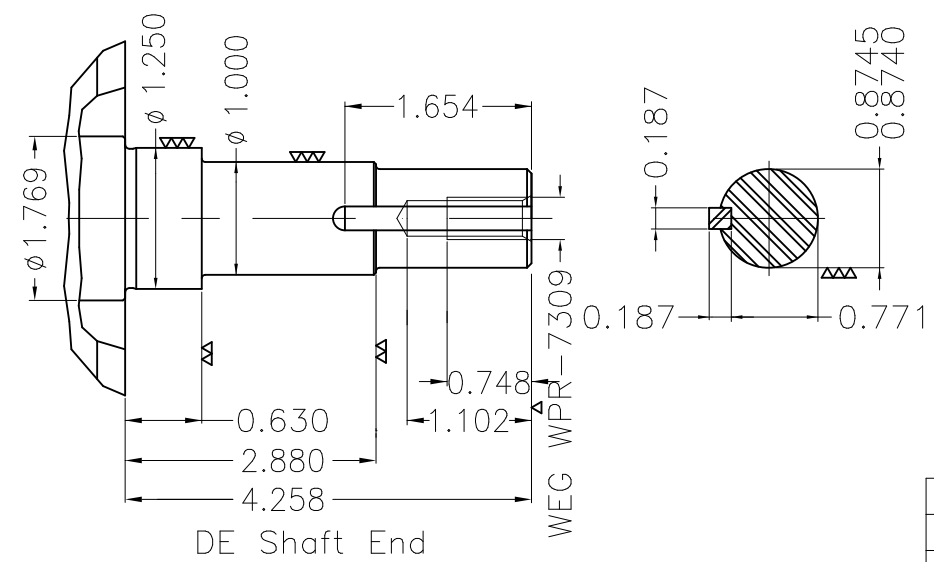
A



B



C



D

EUNC 3/8" - 16 WEG WPR-7309

Color Munsell N 1 matte black
 Painting plan 207N
 Mounting F-1/B34R(D)

ECM	LOC	SUMMARY OF MODIFICATIONS	EXECUTED	CHECKED	RELEASED	DATE	VER
EXECUTED	PIRBUSER	THREE PH. MOTOR ROLLED STEEL CLOSE COUPLED PUMP JN TYPE PSE 1/2 HP					
CHECKED		FRAME 213/5JM IP21 ODP					
RELEASED							
REL DT.	WMO	Jaragua do Sul	Product Engineering	WDD	SHEET	1 / 1	

7.5 HP 04 Poles 60 Hz

Dimensions in inches XME A3



NEMA
Premium



MADE IN MEXICO

MAT: 13453166 CC029A

W01.T00IC0X0N

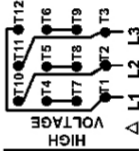
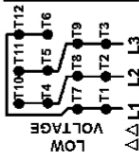
MODEL 007180T3V213JM-S

08DEC2021 S/N:

PH 3	Hz 60	HP 7.5
FR 213/5JM		KW 5.5
DUTY CONT.		V 200/400
ALT 1000 m.a.s.l.		A 21.3/10.6
INS CL F AT 80K		SFA 24.5/12.2
AMB 40°C	DES B	SF 1.15
ENCL ODP	CODE H	PF 0.82
		RPM 1770
		NEMA NOM. EFF 91.0%

Inverter duty motor For use on VPWM 1000:1 VT, 5:1 CT

DE 6209-ZZ	ODE 6206-ZZ	MOBIL POLYREX EM
-------------------	--------------------	-------------------------



T1-BLU T2-WHT
 T3-ORG T4-YEL
 T5-BLK T6-GRY
 T7-PNK T8-RED
 T9-BRK RED
 T10-CURRY
 T11-GRN T12-VLT

INTERCHANGE ANY TWO LINE WIRES TO REVERSE THE ROTATION



WARNING: Motor must be grounded in accordance with local and national electrical codes to prevent serious electrical shocks. Disconnect power source before servicing unit.

AVERTISSEMENT: Le moteur doit être mis à la terre

conformément aux codes électriques locaux et nationaux afin d'éviter tout choc électrique grave. Déconnectez l'alimentation avant l'entretien de la machine.

