

DATA SHEET



Three Phase Induction Motor - Squirrel Cage

Customer :				
Product line	: NEMA Premium Efficiency Three-Phase			
Product code :	14380390			
Catalog # :	00718XT3H213T			
Frame : 213/5T Output : 7.5 HP (5.5 kW) Poles : 4 Frequency : 60 Hz Rated voltage : 575 V Rated current : 7.53 A L. R. Amperes : 50.4 A LRC : 6.7x(Code H) No load current : 3.20 A Rated speed : 1765 rpm Slip : 1.94 % Rated torque : 22.3 ft.lb Locked rotor torque : 240 % Breakdown torque : 280 % Insulation class : F Service factor : 1.15 Moment of inertia (J) : 1.38 sq.ft.lb Design : B	Locked rotor time : 21s (cold) 12s (hot) Temperature rise : 80 K Duty cycle : Cont.(S1) Ambient temperature : -20°C to +40°C Altitude : 1000 m.a.s.l. Protection degree : IP55 Cooling method : IC411 - TEFC Mounting : F-1 Rotation ¹ : Both (CW and CCW) Noise level ² : 58.0 dB(A) Starting method : Direct On Line Approx. weight ³ : 207 lb			
Output	25% 50% 75% 100%			
Efficiency (%)	89.4 90.2 91.0 91.7			
Power Factor	0.38 0.60 0.73 0.80			
Foundation loads				
Max. traction : 249 lb				
Max. compression : 456 lb				
Bearing type	: <u>Drive end</u> 6308 2RS <u>Non drive end</u> 6207 2RS			
Sealing	: Oil Seal Lip Seal			
Lubrication interval	: - -			
Lubricant amount	: - -			
Lubricant type	: Mobil Polyrex EM			
Notes				
This revision replaces and cancel the previous one, which must be eliminated. (1) Looking the motor from the shaft end. (2) Measured at 1m and with tolerance of +3dB(A). (3) Approximate weight subject to changes after manufacturing process. (4) At 100% of full load.				
These are average values based on tests with sinusoidal power supply, subject to the tolerances stipulated in NEMA MG-1.				
Rev.	Changes Summary	Performed	Checked	Date
Performed by				
Checked by			Page	Revision
Date	13/04/2022		1 / 7	

DATA SHEET

Three Phase Induction Motor - Squirrel Cage



Customer : _____

Thermal protection

ID	Application	Type	Quantity	Sensing Temperature
1	Winding	Thermostat - 2 wires	1 x Phase	155 °C

Rev.	Changes Summary	Performed	Checked	Date
Performed by				
Checked by				
Date	13/04/2022		Page 2 / 7	Revision

TORQUE AND CURRENT VS SPEED CURVE



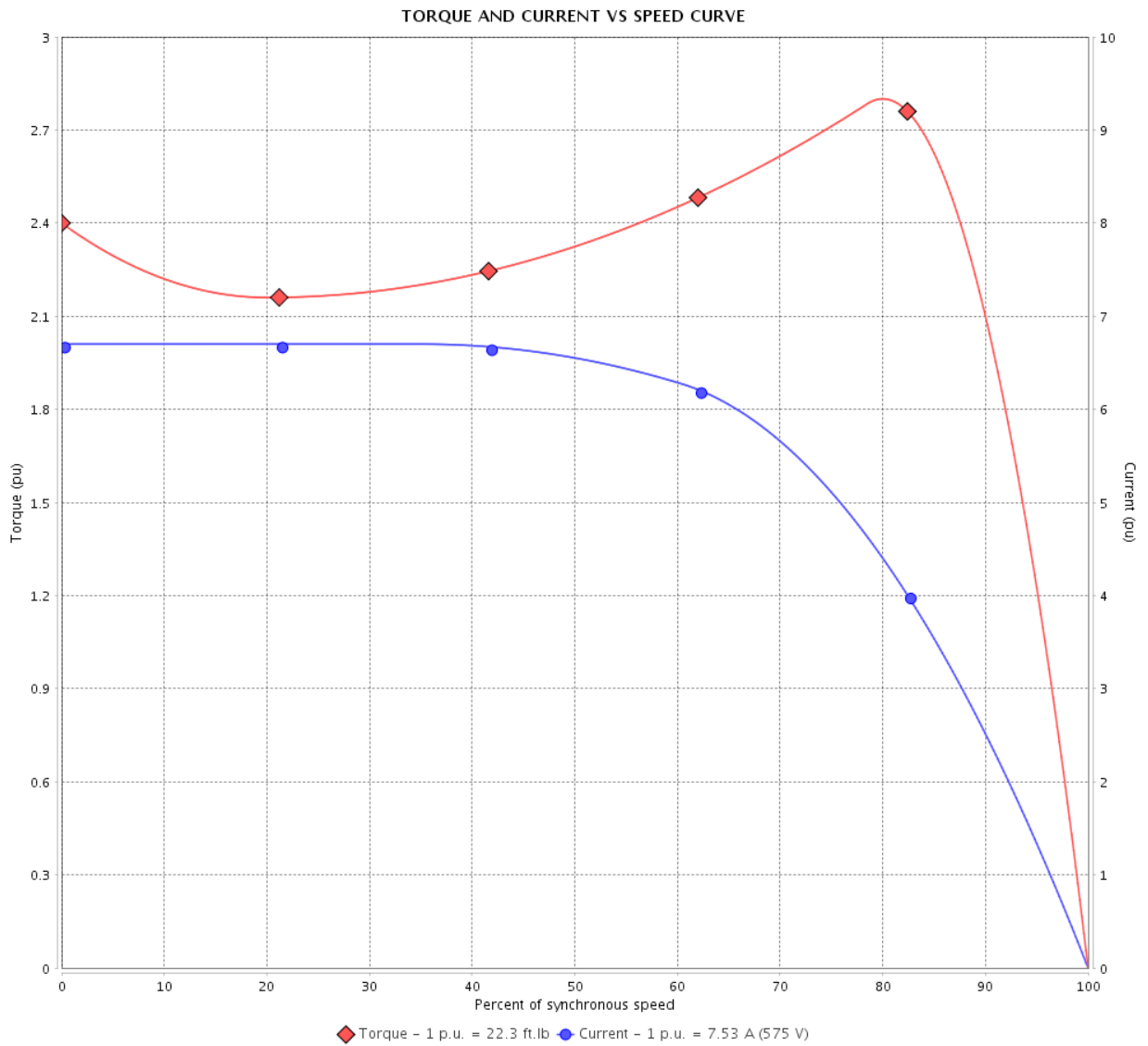
Three Phase Induction Motor - Squirrel Cage

Customer :

Product line : NEMA Premium Efficiency Three-Phase

Product code : 14380390

Catalog # : 00718XT3H213T



Performance : 575 V 60 Hz 4P

Rated current	: 7.53 A	Moment of inertia (J)	: 1.38 sq.ft.lb
LRC	: 6.7	Duty cycle	: Cont.(S1)
Rated torque	: 22.3 ft.lb	Insulation class	: F
Locked rotor torque	: 240 %	Service factor	: 1.15
Breakdown torque	: 280 %	Temperature rise	: 80 K
Rated speed	: 1765 rpm	Design	: B

Locked rotor time : 21s (cold) 12s (hot)

Rev.	Changes Summary	Performed	Checked	Date
Performed by			Page 3 / 7	Revision
Checked by				
Date	13/04/2022			

LOAD PERFORMANCE CURVE

Three Phase Induction Motor - Squirrel Cage



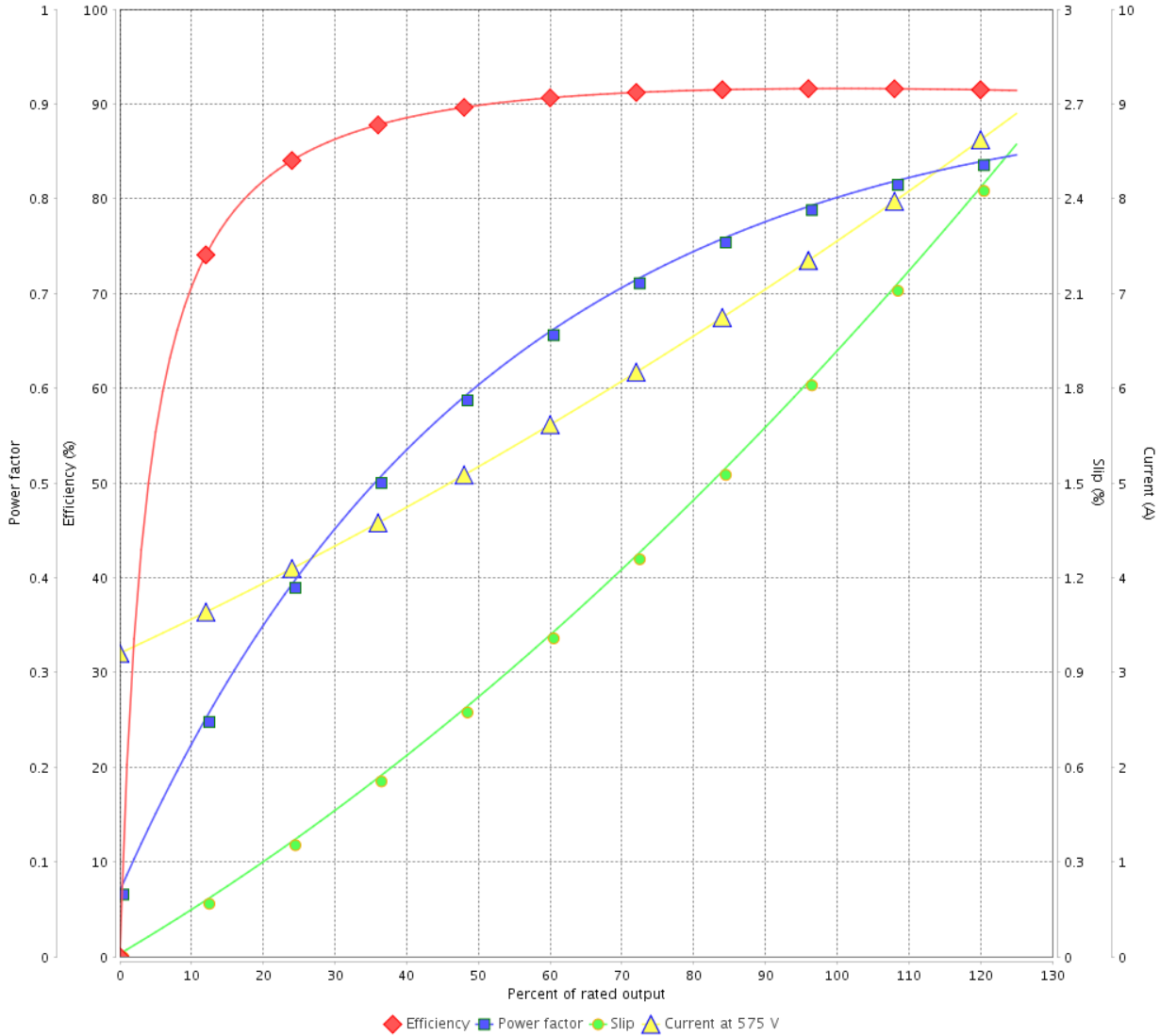
Customer :

Product line : NEMA Premium Efficiency Three-Phase

Product code : 14380390

Catalog # : 00718XT3H213T

LOAD PERFORMANCE CURVE



Performance : 575 V 60 Hz 4P

Rated current : 7.53 A
 LRC : 6.7
 Rated torque : 22.3 ft.lb
 Locked rotor torque : 240 %
 Breakdown torque : 280 %
 Rated speed : 1765 rpm

Moment of inertia (J) : 1.38 sq.ft.lb
 Duty cycle : Cont.(S1)
 Insulation class : F
 Service factor : 1.15
 Temperature rise : 80 K
 Design : B

Rev.	Changes Summary	Performed	Checked	Date
Performed by			Page 4 / 7	Revision
Checked by				
Date	13/04/2022			

THERMAL LIMIT CURVE



Three Phase Induction Motor - Squirrel Cage

Customer :

Product line : NEMA Premium Efficiency Three-Phase
 Product code : 14380390
 Catalog # : 00718XT3H213T

Performance : 575 V 60 Hz 4P

Rated current : 7.53 A	Moment of inertia (J) : 1.38 sq.ft.lb
LRC : 6.7	Duty cycle : Cont.(S1)
Rated torque : 22.3 ft.lb	Insulation class : F
Locked rotor torque : 240 %	Service factor : 1.15
Breakdown torque : 280 %	Temperature rise : 80 K
Rated speed : 1765 rpm	Design : B

Heating constant

Cooling constant

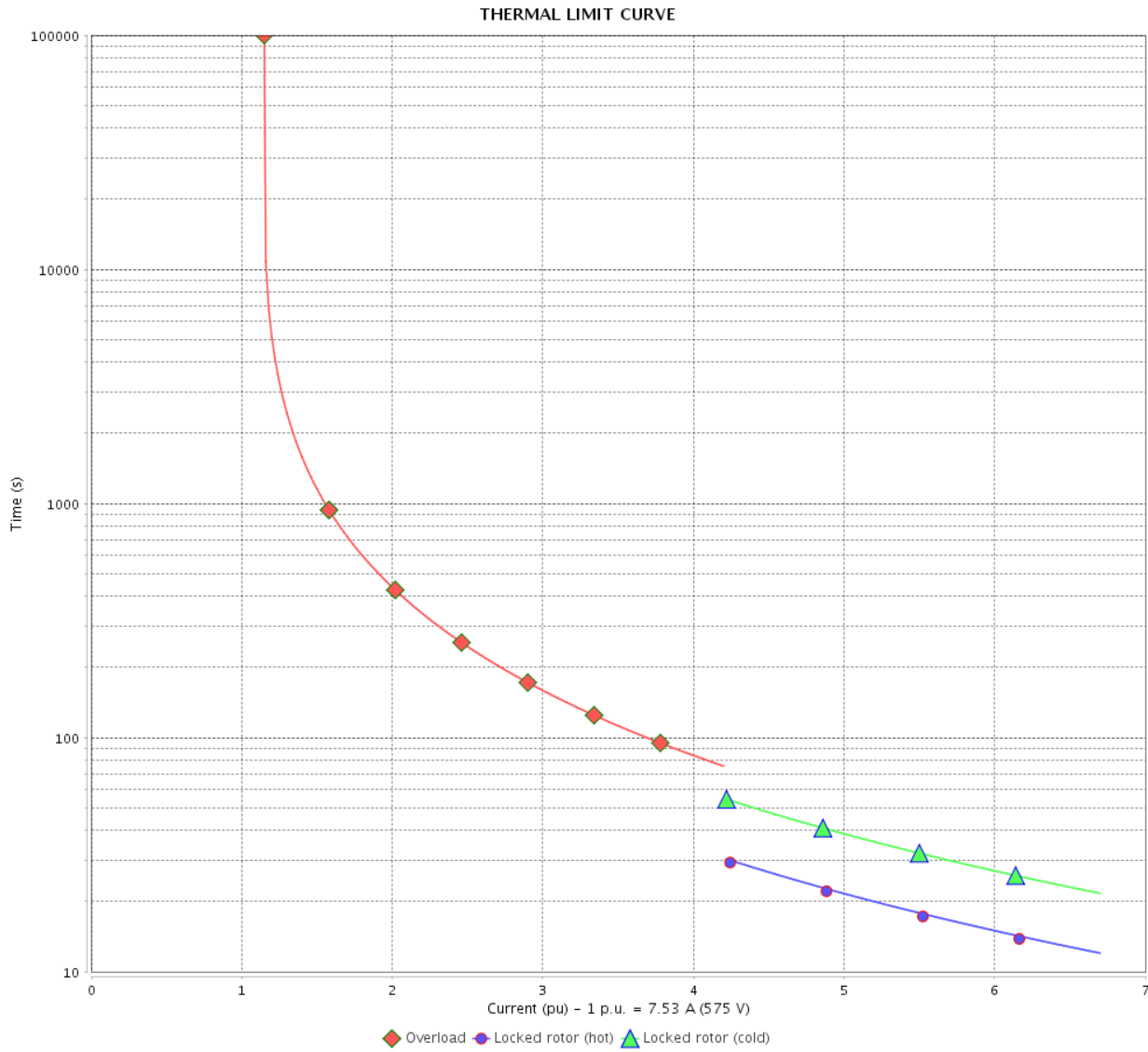
Rev.	Changes Summary	Performed	Checked	Date
Performed by			Page 5 / 7	Revision
Checked by				
Date	13/04/2022			

THERMAL LIMIT CURVE

Three Phase Induction Motor - Squirrel Cage



Customer : _____



Rev.	Changes Summary	Performed	Checked	Date
Performed by		Page		Revision
Checked by		6 / 7		
Date		13/04/2022		

VFD OPERATION CURVE

Three Phase Induction Motor - Squirrel Cage

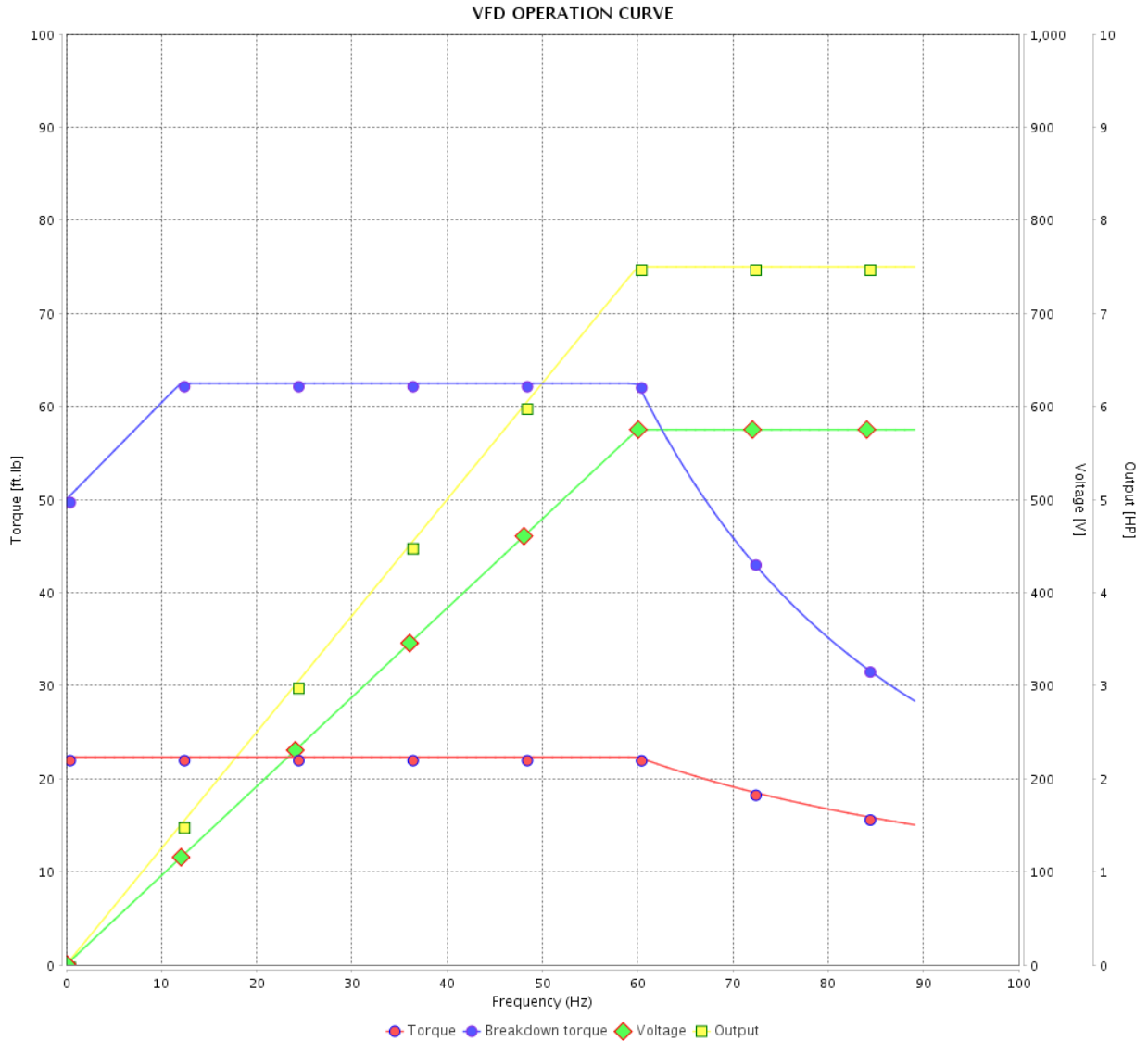


Customer :

Product line : NEMA Premium Efficiency Three-Phase

Product code : 14380390

Catalog # : 00718XT3H213T

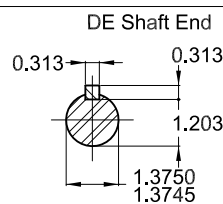
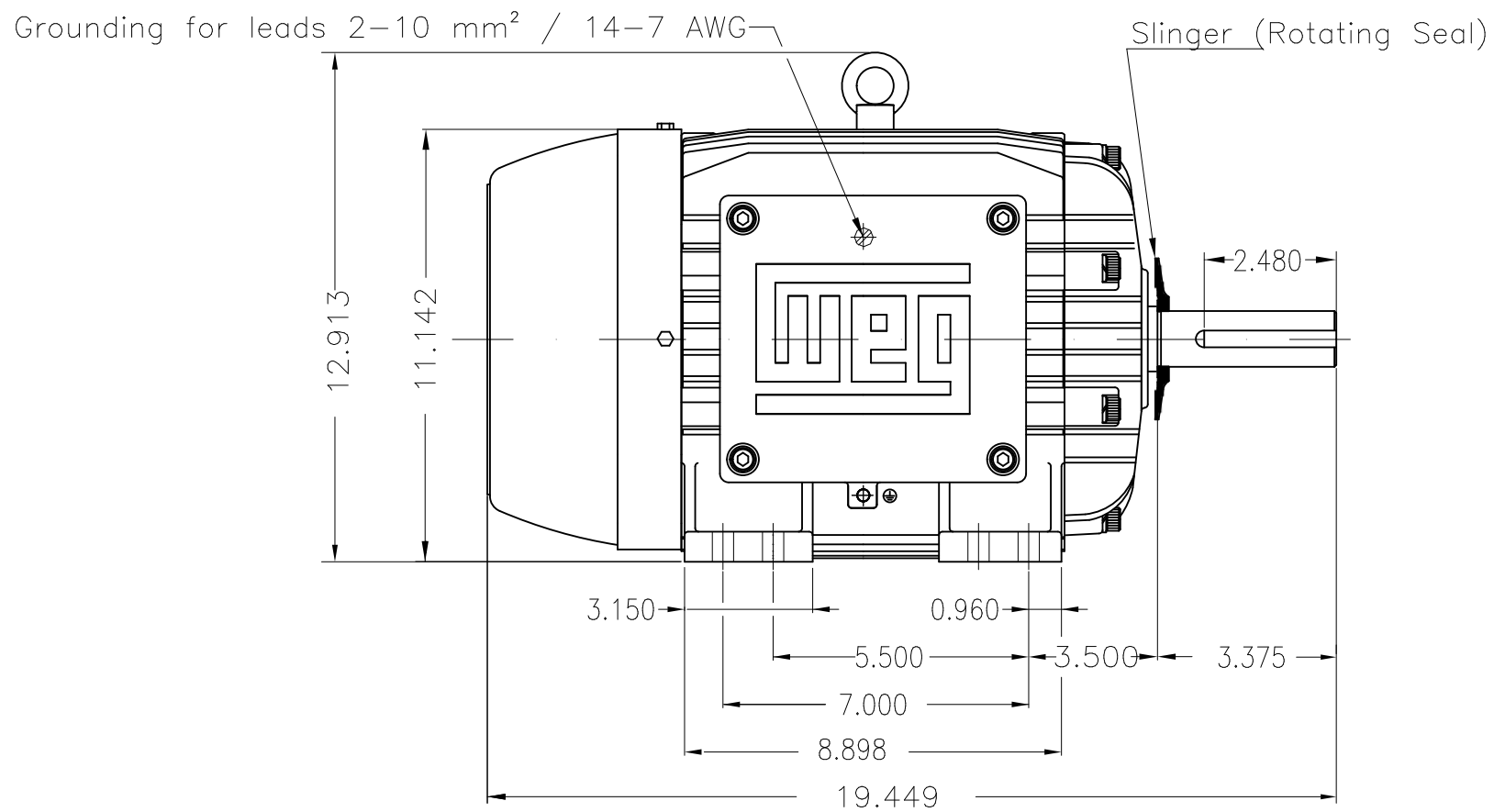
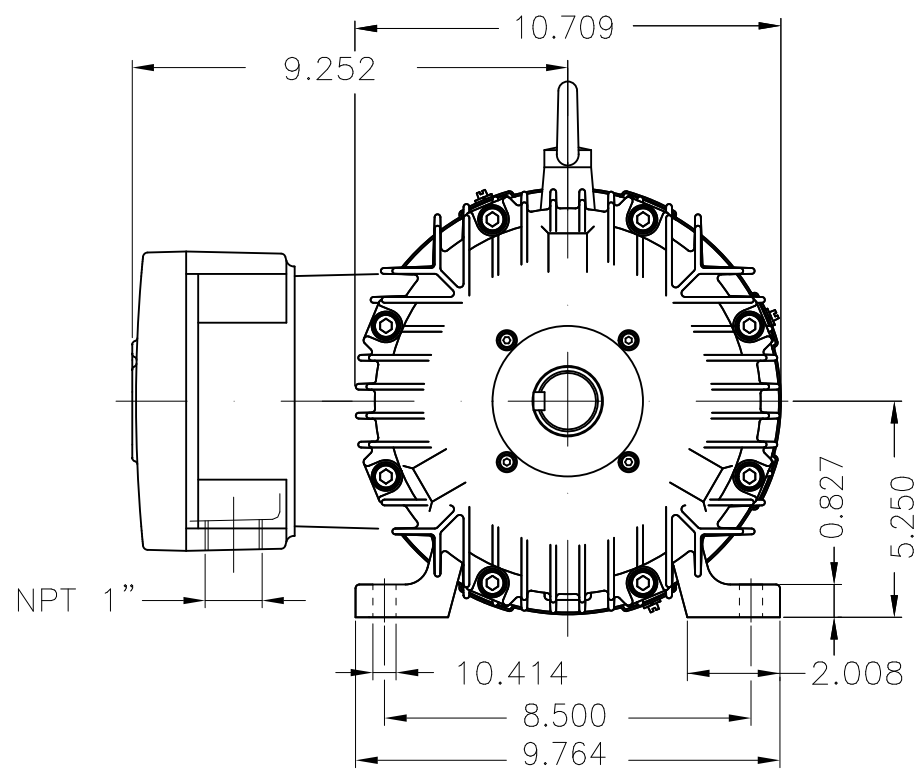


Performance : 575 V 60 Hz 4P

Rated current : 7.53 A
 LRC : 6.7
 Rated torque : 22.3 ft.lb
 Locked rotor torque : 240 %
 Breakdown torque : 280 %
 Rated speed : 1765 rpm

Moment of inertia (J) : 1.38 sq.ft.lb
 Duty cycle : Cont.(S1)
 Insulation class : F
 Service factor : 1.15
 Temperature rise : 80 K
 Design : B

Rev.	Changes Summary	Performed	Checked	Date
Performed by				Page 7 / 7
Checked by				
Date	13/04/2022			



Color RAL 5009
 Painting plan 202P
 Mounting NEMA F-1
 Mounting B3R(D)

7.5 HP 04 Poles 60 Hz

A

ECM	LOC	SUMMARY OF MODIFICATIONS	EXECUTED	CHECKED	RELEASED	DATE	VER
EXECUTED	PIRWBUSER	THREE PH. MOTOR EXPLOSION PROOF PREM. EFF.					
CHECKED		FRAME 213/5T IP55 TEFC					
RELEASED							
REL DT.	WMO	Jaragua do Sul	Product Engineering				

PREVIEW
 WDD



SHEET 1 / 1

MADE IN BRAZIL

**W21X NEMA**
Premium

14380390



LISTED

CC029A

Inverter Duty Motor
Severe Duty

HX007504NPW21X

PH 3 | FR 213/5T

HP(kW) 7.5(5.5)

HZ 60

IP55

V 575

A 7.53

RPM 1765

NEMA NOM EFF 91.7%

PF 0.80

SFA 8.66

DES B

INS CL F Δ T 80 K | SF 1.15

ENCL TEFC

DUTY CONT.

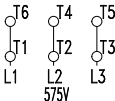
CODE H

ALT 1000

m.a.s.l.

AMB 40°C

AMB 55°C SF1.0



→ 6308-2RS MOBIL POLYREX EM

→ 6207-2RS

203 Lbs

TEMP CODE T3C
CSA/UL: Class I - Div. 1 - Groups C and D
CSA: Class II - Div. 1 - Groups F and G
CSA: Class I - Zone 1 - IIB

EXPLOSION PROOF MOTOR

FOR USE ON VPWM VFD 1000:1VT, 20:1CT, 1.0SF, T3C, AMB 40°C.