

# DATA SHEET

## Three Phase Induction Motor - Squirrel Cage



Customer :				
Product line	: JM Pump NEMA Premium Efficiency Three-Phase	Product code :	13419558	
		Catalog # :	00736ET3E184JM-S	
Frame	: 182/4JM	Cooling method	: IC411 - TEFC	
Insulation class	: F	Mounting	: F-1	
Duty cycle	: Cont.(S1)	Rotation <sup>1</sup>	: Both (CW and CCW)	
Ambient temperature	: -20°C to +40°C	Starting method	: Direct On Line	
Altitude	: 1000 m.a.s.l.	Approx. weight <sup>2</sup>	: 92.0 lb	
Protection degree	: IP55	Moment of inertia (J)	: 0.1913 sq.ft.lb	
Design	: B			
Output [HP]	7.5	5.5	5.5	
Poles	2	2	2	
Frequency [Hz]	60	50	50	
Rated voltage [V]	230/460	190/380	220/415	
Rated current [A]	17.1/8.57	15.3/7.65	14.0/7.40	
L. R. Amperes [A]	132/66.0	129/64.3	123/65.1	
LRC [A]	7.7x(Code H)	8.4x(Code J)	8.8x(Code K)	
No load current [A]	6.07/3.04	5.98/2.99	6.20/3.29	
Rated speed [RPM]	3480	2895	2905	
Slip [%]	3.33	3.50	3.17	
Rated torque [ft.lb]	11.3	9.98	9.94	
Locked rotor torque [%]	270	310	360	
Breakdown torque [%]	360	380	430	
Service factor	1.15	1.15	1.15	
Temperature rise	80 K	80 K	80 K	
Locked rotor time	34s (cold) 19s (hot)	41s (cold) 23s (hot)	37s (cold) 21s (hot)	
Noise level <sup>2</sup>	68.0 dB(A)	65.0 dB(A)	65.0 dB(A)	
Efficiency (%)	25%	88.2	89.0	
	50%	88.5	89.0	
	75%	89.5	90.0	
	100%	89.5	89.7	
Power Factor	25%	0.51	0.43	
	50%	0.77	0.70	
	75%	0.86	0.81	
	100%	0.90	0.87	
Bearing type	: <u>Drive end</u> 6207 ZZ <u>Non drive end</u> 6205 ZZ	Foundation loads		
Sealing	: V'Ring V'Ring	Max. traction	: 227 lb	
Lubrication interval	: - -	Max. compression	: 319 lb	
Lubricant amount	: - -			
Lubricant type	: Mobil Polyrex EM			
Notes USABLE @208V 19.0A SF 1.00 SFA 19.0A				
This revision replaces and cancel the previous one, which must be eliminated. (1) Looking the motor from the shaft end. (2) Measured at 1m and with tolerance of +3dB(A). (3) Approximate weight subject to changes after manufacturing process. (4) At 100% of full load.		These are average values based on tests with sinusoidal power supply, subject to the tolerances stipulated in NEMA MG-1.		
Rev.	Changes Summary	Performed	Checked	Date
Performed by				
Checked by			Page	Revision
Date	12/04/2022		1 / 16	

# TORQUE AND CURRENT VS SPEED CURVE

Three Phase Induction Motor - Squirrel Cage



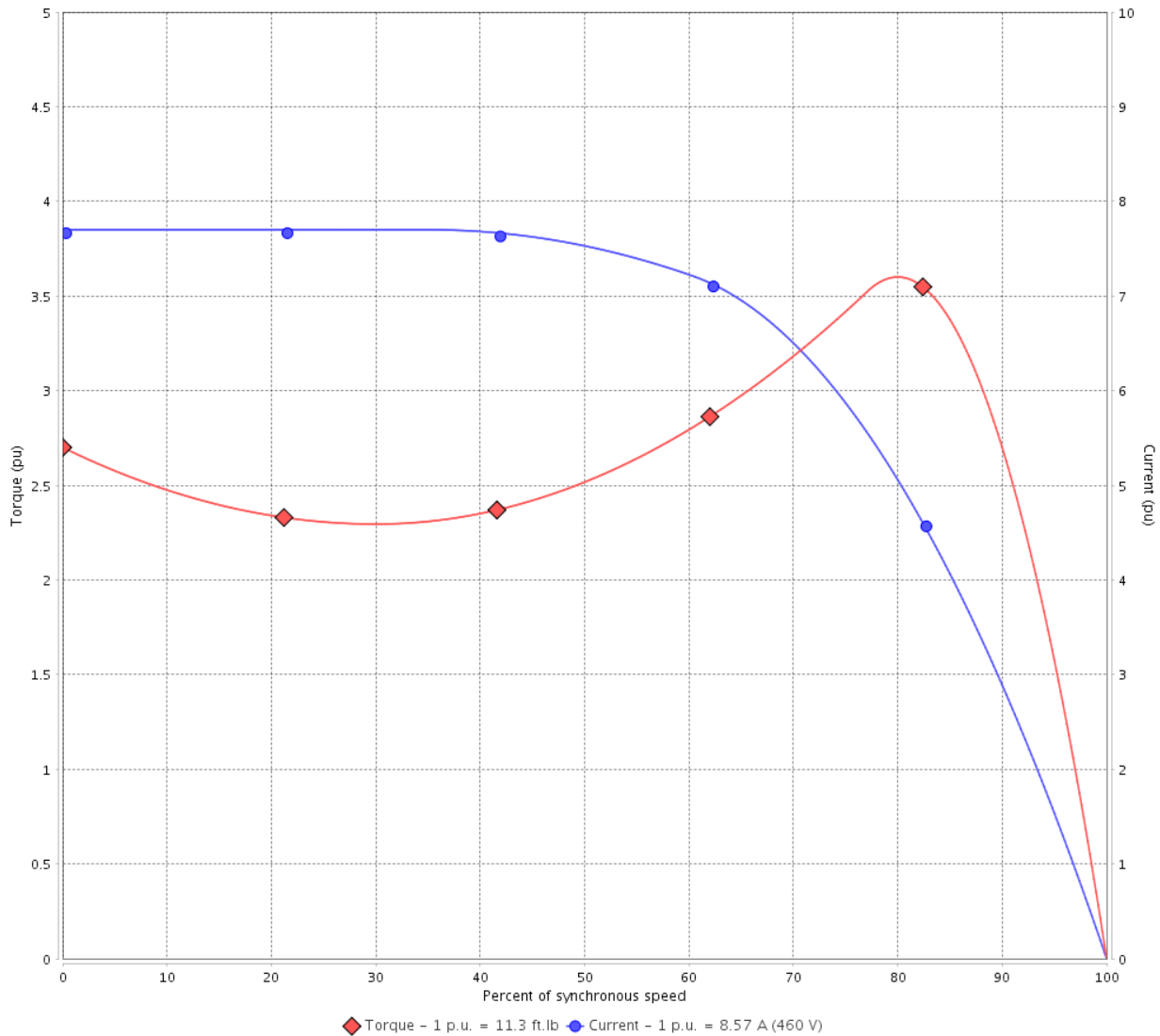
Customer :

Product line : JM Pump NEMA Premium Efficiency Three-Phase

Product code : 13419558

Catalog # : 00736ET3E184JM-S

TORQUE AND CURRENT VS SPEED CURVE



Performance : 230/460 V 60 Hz 2P

Rated current	: 17.1/8.57 A	Moment of inertia (J)	: 0.1913 sq.ft.lb
LRC	: 7.7	Duty cycle	: Cont.(S1)
Rated torque	: 11.3 ft.lb	Insulation class	: F
Locked rotor torque	: 270 %	Service factor	: 1.15
Breakdown torque	: 360 %	Temperature rise	: 80 K
Rated speed	: 3480 rpm	Design	: B

Locked rotor time : 34s (cold) 19s (hot)

Rev.	Changes Summary	Performed	Checked	Date
Performed by			Page 2 / 16	Revision
Checked by				
Date	12/04/2022			

# TORQUE AND CURRENT VS SPEED CURVE



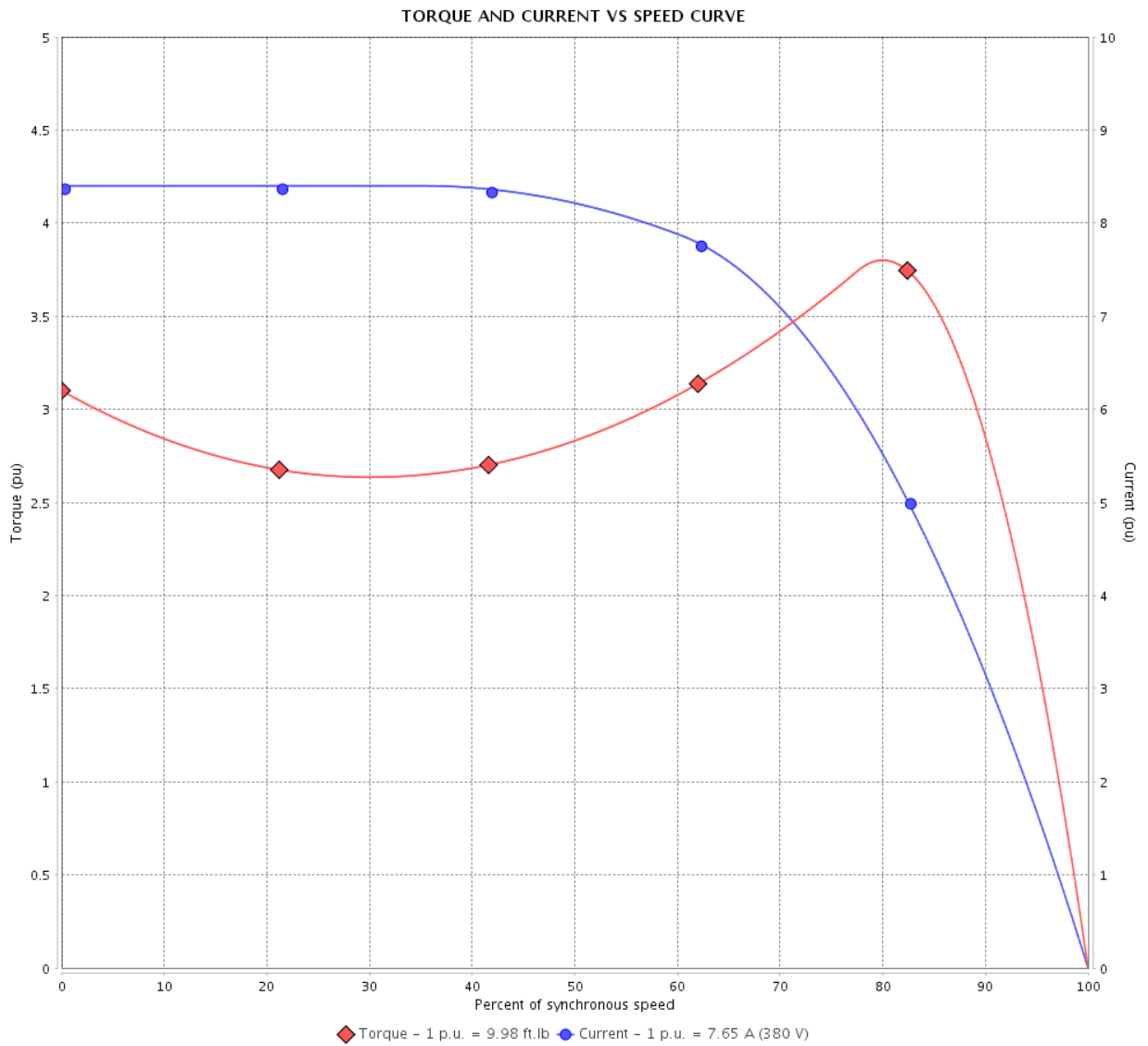
## Three Phase Induction Motor - Squirrel Cage

Customer :

Product line : JM Pump NEMA Premium Efficiency Three-Phase

Product code : 13419558

Catalog # : 00736ET3E184JM-S



Performance : 190/380 V 50 Hz 2P

Rated current : 15.3/7.65 A  
 LRC : 8.4  
 Rated torque : 9.98 ft.lb  
 Locked rotor torque : 310 %  
 Breakdown torque : 380 %  
 Rated speed : 2895 rpm

Moment of inertia (J) : 0.1913 sq.ft.lb  
 Duty cycle : Cont.(S1)  
 Insulation class : F  
 Service factor : 1.15  
 Temperature rise : 80 K  
 Design : B

Locked rotor time : 41s (cold) 23s (hot)

Rev.	Changes Summary	Performed	Checked	Date
Performed by			Page 3 / 16	Revision
Checked by				
Date	12/04/2022			

# TORQUE AND CURRENT VS SPEED CURVE

Three Phase Induction Motor - Squirrel Cage



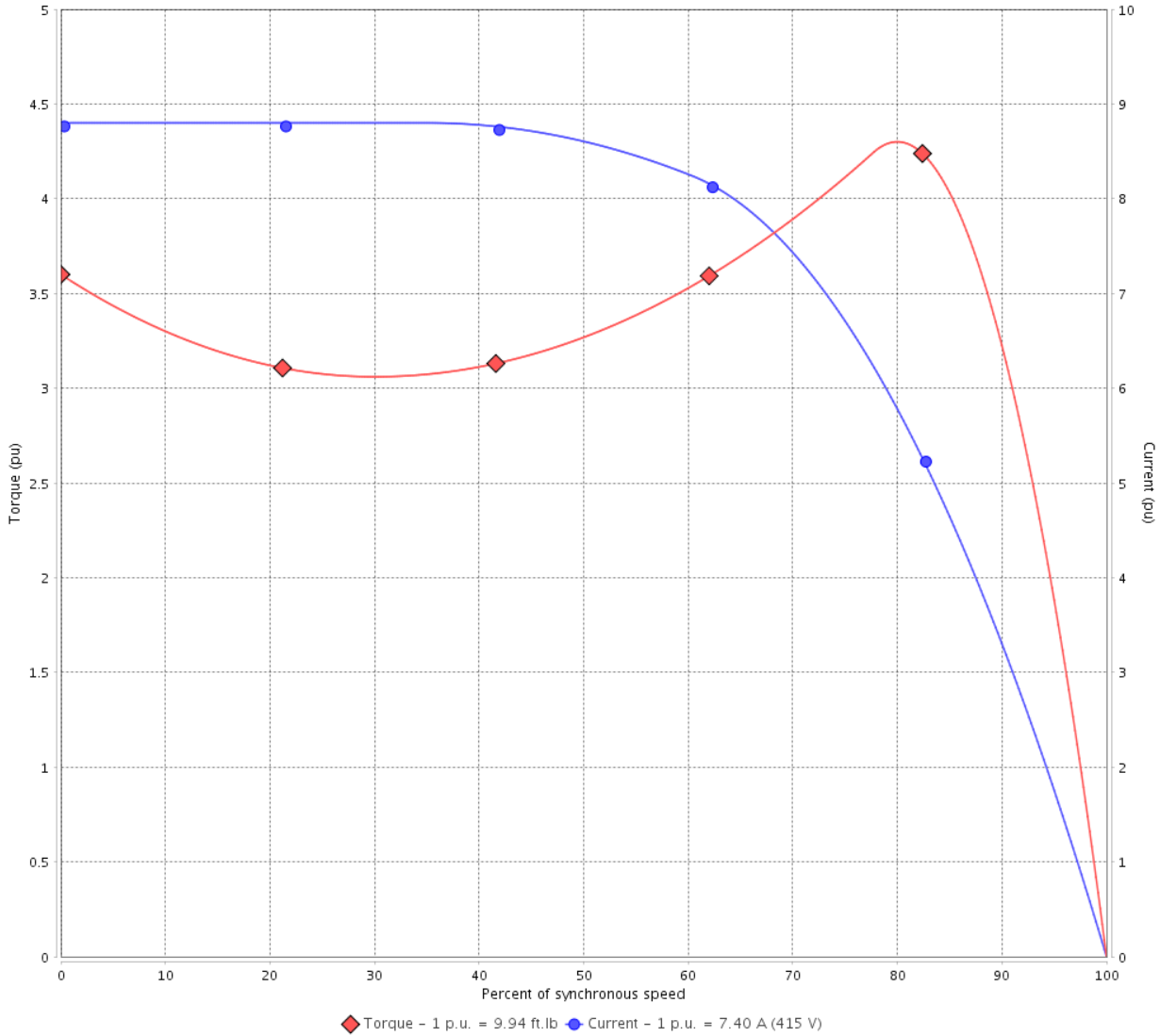
Customer :

Product line : JM Pump NEMA Premium  
Efficiency Three-Phase

Product code : 13419558

Catalog # : 00736ET3E184JM-S

TORQUE AND CURRENT VS SPEED CURVE



Performance : 220/415 V 50 Hz 2P

Rated current : 14.0/7.40 A  
LRC : 8.8  
Rated torque : 9.94 ft.lb  
Locked rotor torque : 360 %  
Breakdown torque : 430 %  
Rated speed : 2905 rpm

Moment of inertia (J) : 0.1913 sq.ft.lb  
Duty cycle : Cont.(S1)  
Insulation class : F  
Service factor : 1.15  
Temperature rise : 80 K  
Design : B

Locked rotor time : 37s (cold) 21s (hot)

Rev.	Changes Summary	Performed	Checked	Date
Performed by			Page 4 / 16	Revision
Checked by				
Date	12/04/2022			

# LOAD PERFORMANCE CURVE

## Three Phase Induction Motor - Squirrel Cage

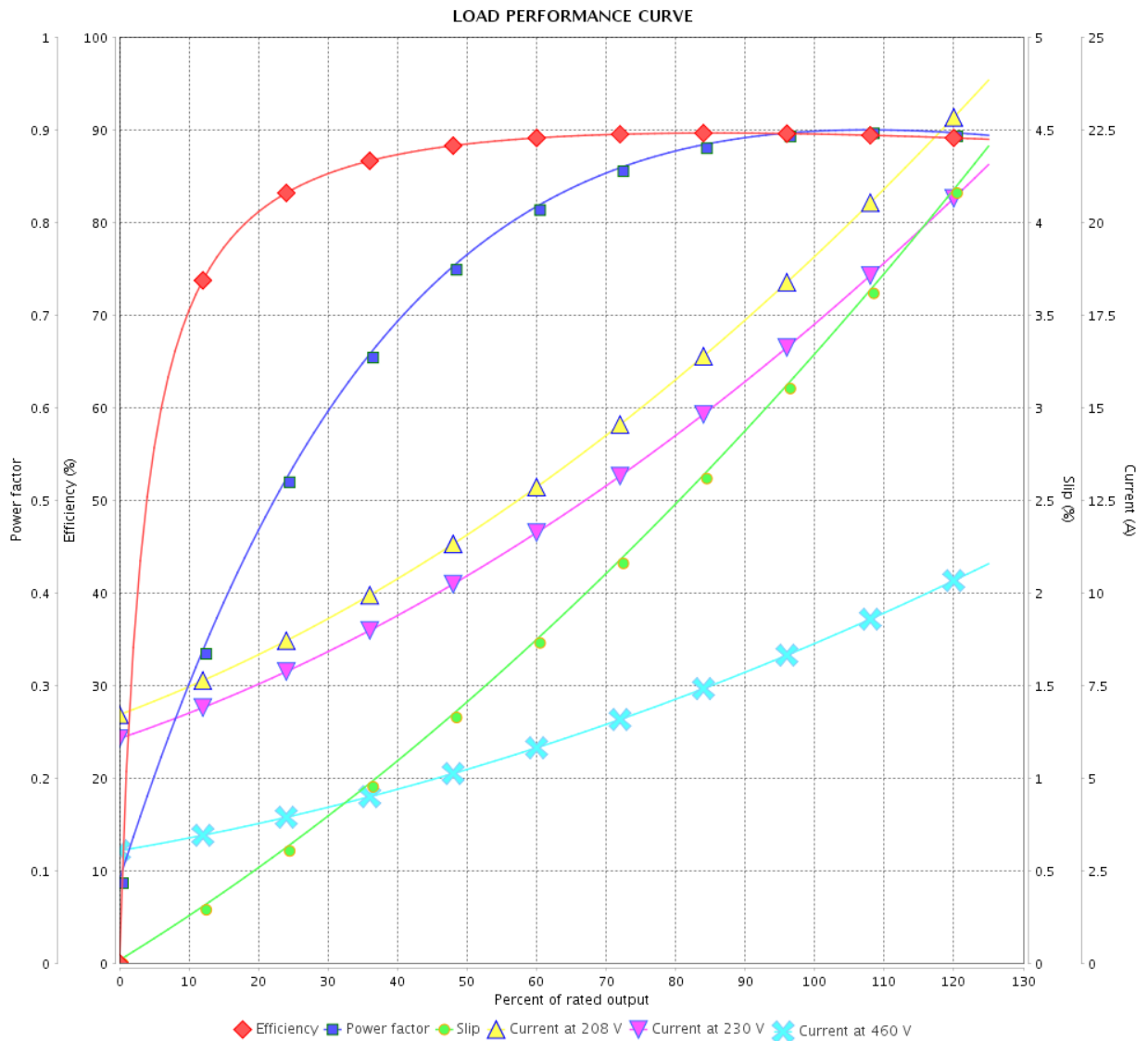


Customer :

Product line : JM Pump NEMA Premium Efficiency Three-Phase

Product code : 13419558

Catalog # : 00736ET3E184JM-S



Performance : 230/460 V 60 Hz 2P

Rated current : 17.1/8.57 A  
 LRC : 7.7  
 Rated torque : 11.3 ft.lb  
 Locked rotor torque : 270 %  
 Breakdown torque : 360 %  
 Rated speed : 3480 rpm

Moment of inertia (J) : 0.1913 sq.ft.lb  
 Duty cycle : Cont.(S1)  
 Insulation class : F  
 Service factor : 1.15  
 Temperature rise : 80 K  
 Design : B

Rev.	Changes Summary	Performed	Checked	Date
Performed by		Page		Revision
Checked by		5 / 16		
Date		12/04/2022		

# LOAD PERFORMANCE CURVE

Three Phase Induction Motor - Squirrel Cage



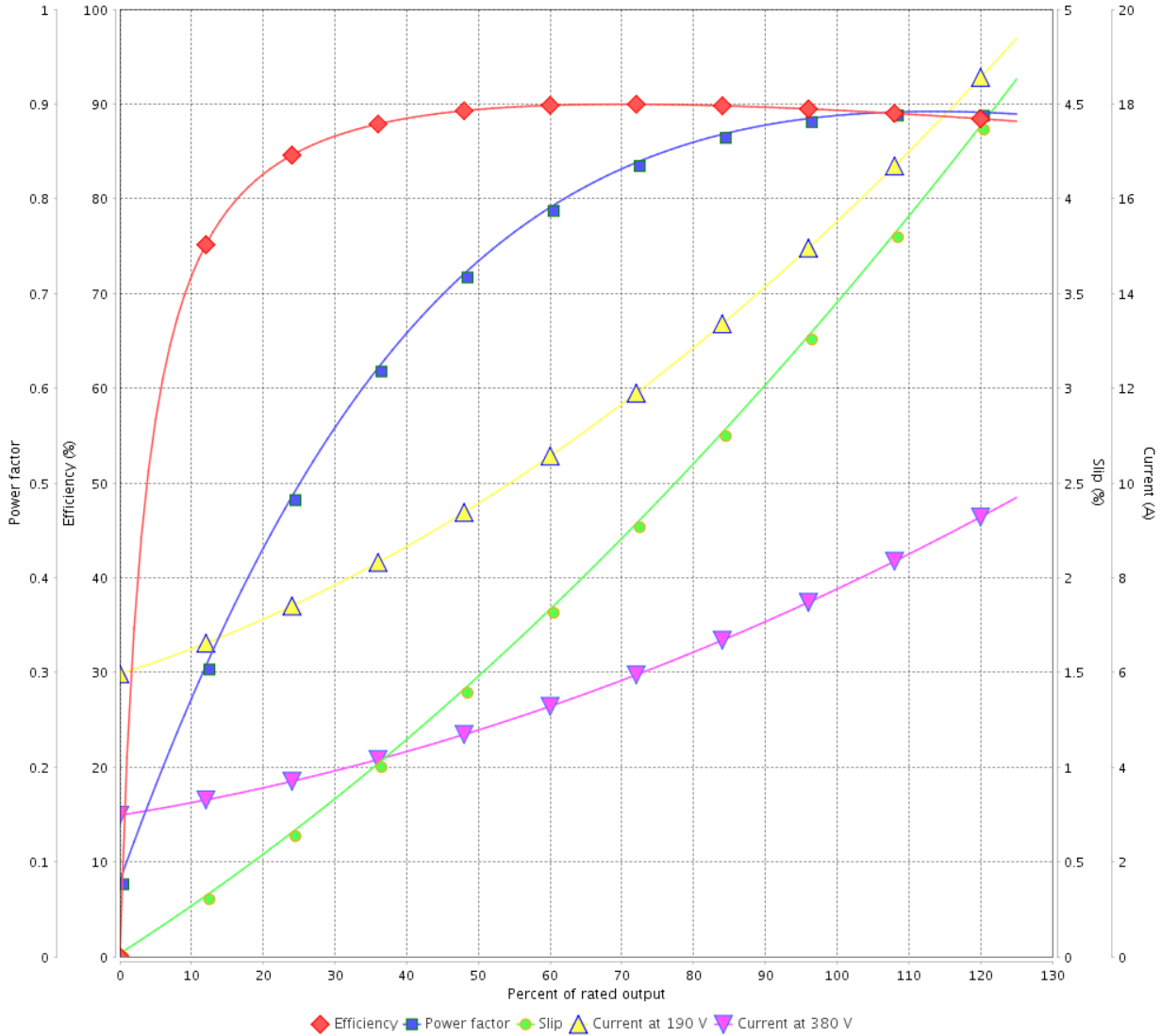
Customer :

Product line : JM Pump NEMA Premium  
Efficiency Three-Phase

Product code : 13419558

Catalog # : 00736ET3E184JM-S

LOAD PERFORMANCE CURVE



Performance : 190/380 V 50 Hz 2P

Rated current : 15.3/7.65 A  
LRC : 8.4  
Rated torque : 9.98 ft.lb  
Locked rotor torque : 310 %  
Breakdown torque : 380 %  
Rated speed : 2895 rpm

Moment of inertia (J) : 0.1913 sq.ft.lb  
Duty cycle : Cont.(S1)  
Insulation class : F  
Service factor : 1.15  
Temperature rise : 80 K  
Design : B

Rev.	Changes Summary	Performed	Checked	Date
Performed by			Page 6 / 16	Revision
Checked by				
Date	12/04/2022			

# LOAD PERFORMANCE CURVE

Three Phase Induction Motor - Squirrel Cage

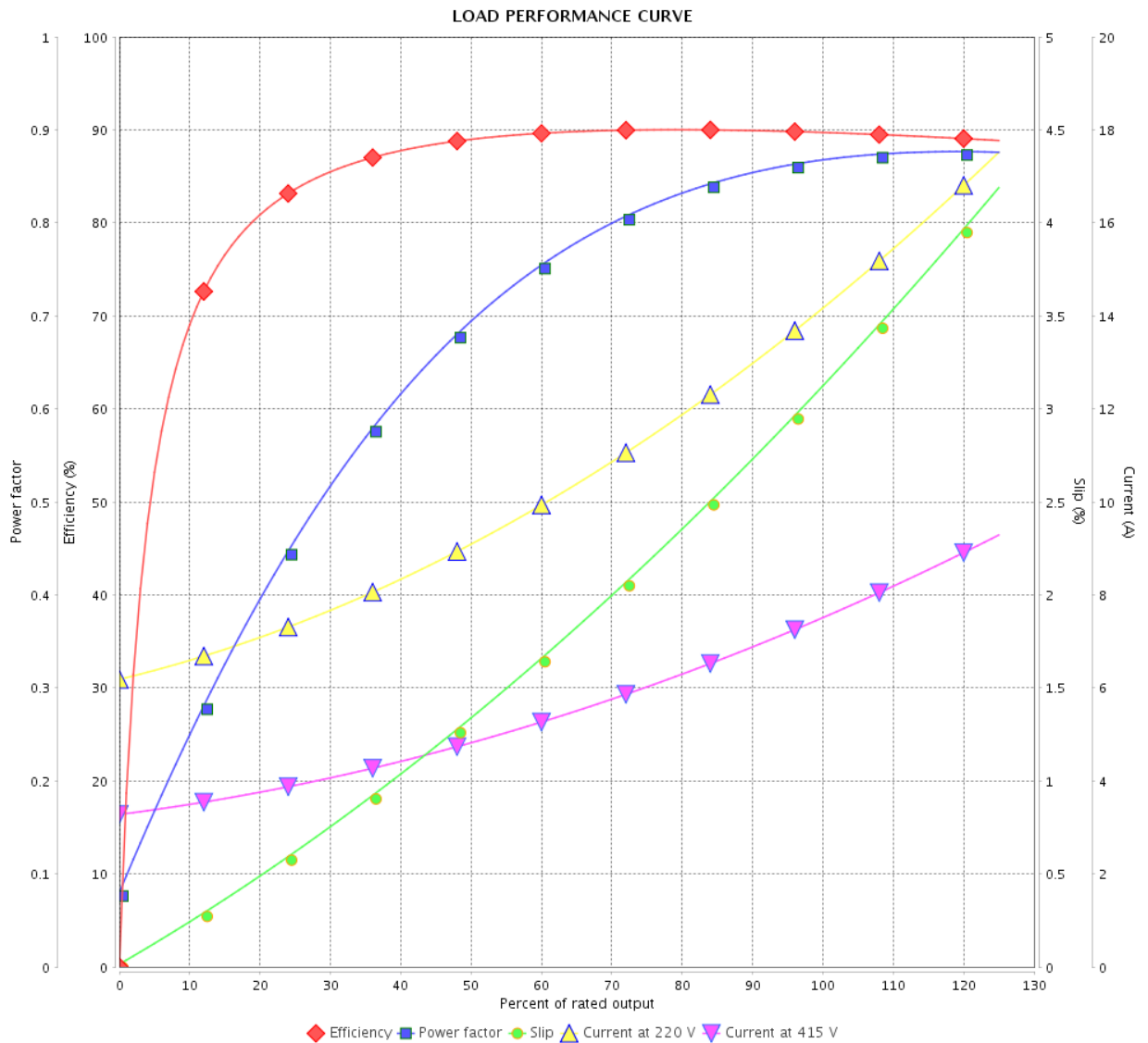


Customer : \_\_\_\_\_

Product line : JM Pump NEMA Premium Efficiency Three-Phase

Product code : 13419558

Catalog # : 00736ET3E184JM-S



Performance : 220/415 V 50 Hz 2P

Rated current : 14.0/7.40 A  
 LRC : 8.8  
 Rated torque : 9.94 ft.lb  
 Locked rotor torque : 360 %  
 Breakdown torque : 430 %  
 Rated speed : 2905 rpm

Moment of inertia (J) : 0.1913 sq.ft.lb  
 Duty cycle : Cont.(S1)  
 Insulation class : F  
 Service factor : 1.15  
 Temperature rise : 80 K  
 Design : B

Rev.	Changes Summary	Performed	Checked	Date
Performed by		Page		Revision
Checked by		7 / 16		
Date		12/04/2022		

# THERMAL LIMIT CURVE



## Three Phase Induction Motor - Squirrel Cage

Customer :

Product line : JM Pump NEMA Premium  
Efficiency Three-Phase

Product code : 13419558

Catalog # : 00736ET3E184JM-S

Performance : 230/460 V 60 Hz 2P

Rated current : 17.1/8.57 A  
LRC : 7.7  
Rated torque : 11.3 ft.lb  
Locked rotor torque : 270 %  
Breakdown torque : 360 %  
Rated speed : 3480 rpm

Moment of inertia (J) : 0.1913 sq.ft.lb  
Duty cycle : Cont.(S1)  
Insulation class : F  
Service factor : 1.15  
Temperature rise : 80 K  
Design : B

Heating constant

Cooling constant

Rev.	Changes Summary	Performed	Checked	Date
Performed by				
Checked by			Page	Revision
Date	12/04/2022		8 / 16	

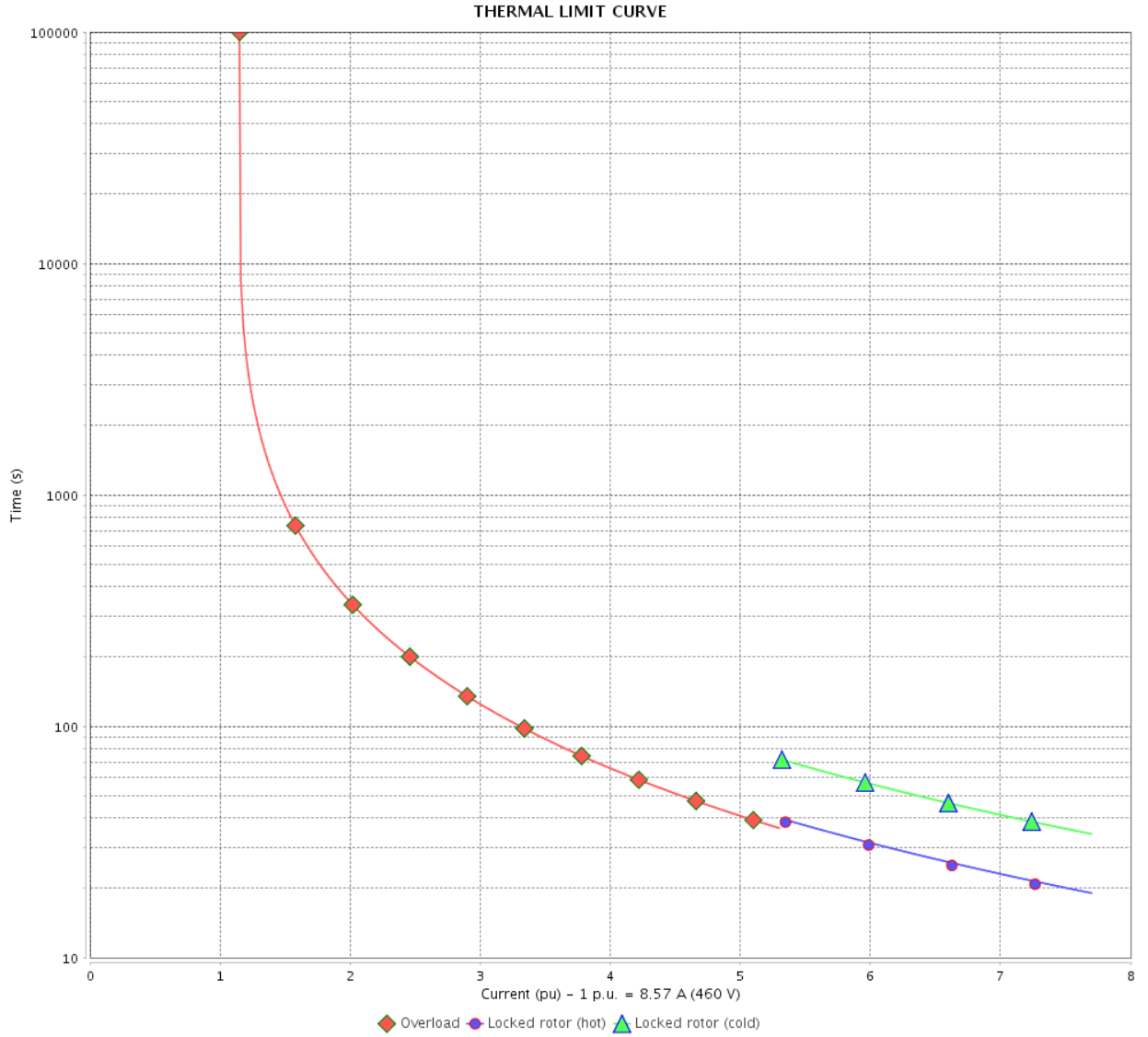


# THERMAL LIMIT CURVE

Three Phase Induction Motor - Squirrel Cage



Customer : \_\_\_\_\_



Rev.	Changes Summary	Performed	Checked	Date
Performed by		Page		Revision
Checked by		9 / 16		
Date		12/04/2022		

# THERMAL LIMIT CURVE



## Three Phase Induction Motor - Squirrel Cage

Customer :

Product line : JM Pump NEMA Premium  
Efficiency Three-Phase

Product code : 13419558

Catalog # : 00736ET3E184JM-S

Performance : 190/380 V 50 Hz 2P

Rated current : 15.3/7.65 A  
LRC : 8.4  
Rated torque : 9.98 ft.lb  
Locked rotor torque : 310 %  
Breakdown torque : 380 %  
Rated speed : 2895 rpm

Moment of inertia (J) : 0.1913 sq.ft.lb  
Duty cycle : Cont.(S1)  
Insulation class : F  
Service factor : 1.15  
Temperature rise : 80 K  
Design : B

Heating constant

Cooling constant

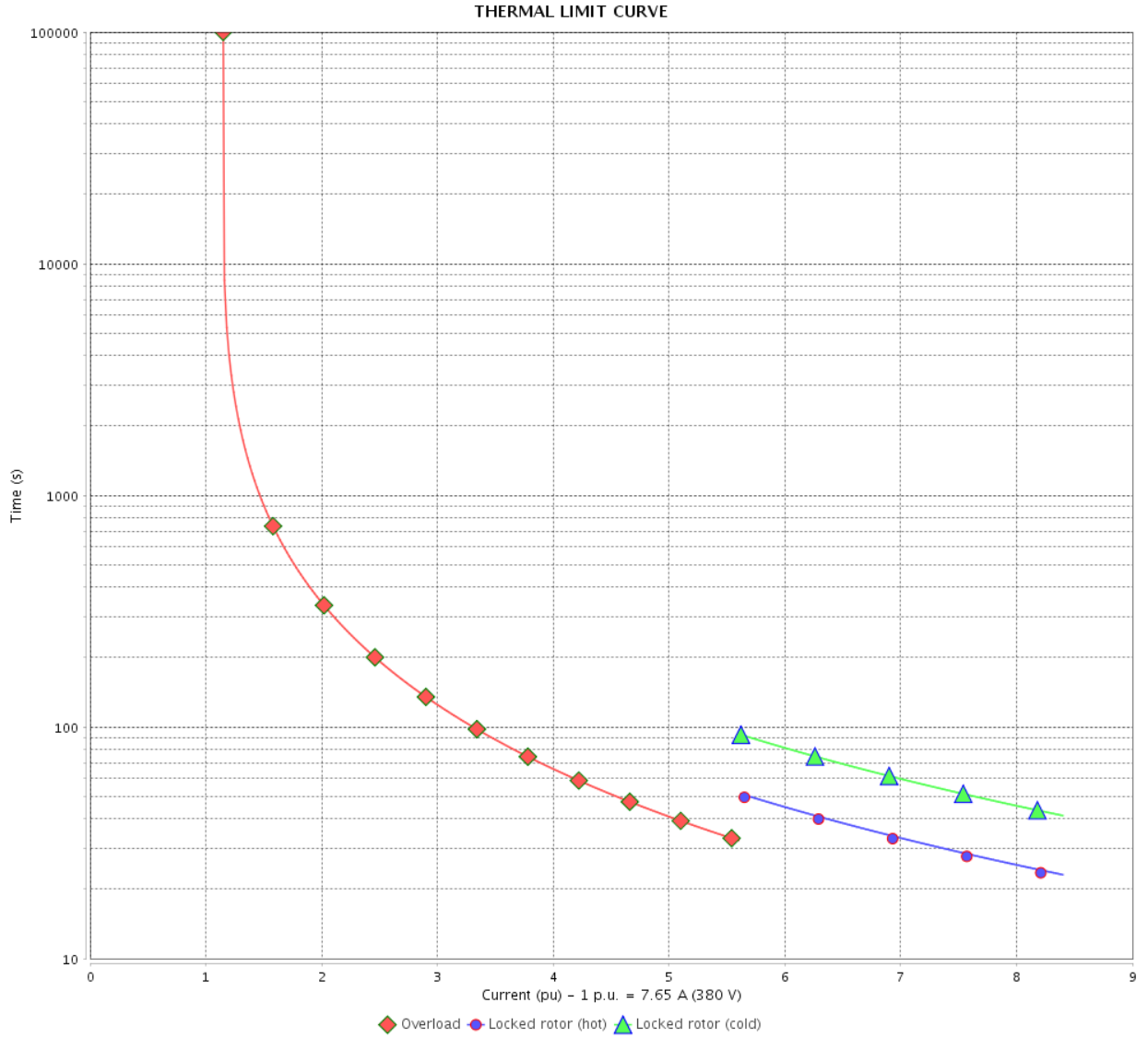
Rev.	Changes Summary	Performed	Checked	Date
Performed by				
Checked by			Page	Revision
Date	12/04/2022		10 / 16	

# THERMAL LIMIT CURVE

Three Phase Induction Motor - Squirrel Cage



Customer : \_\_\_\_\_



Rev.	Changes Summary	Performed	Checked	Date
Performed by		Page 11 / 16		Revision
Checked by				
Date				

# THERMAL LIMIT CURVE



## Three Phase Induction Motor - Squirrel Cage

Customer :

Product line : JM Pump NEMA Premium  
Efficiency Three-Phase

Product code : 13419558

Catalog # : 00736ET3E184JM-S

Performance : 220/415 V 50 Hz 2P

Rated current : 14.0/7.40 A  
LRC : 8.8  
Rated torque : 9.94 ft.lb  
Locked rotor torque : 360 %  
Breakdown torque : 430 %  
Rated speed : 2905 rpm

Moment of inertia (J) : 0.1913 sq.ft.lb  
Duty cycle : Cont.(S1)  
Insulation class : F  
Service factor : 1.15  
Temperature rise : 80 K  
Design : B

Heating constant

Cooling constant

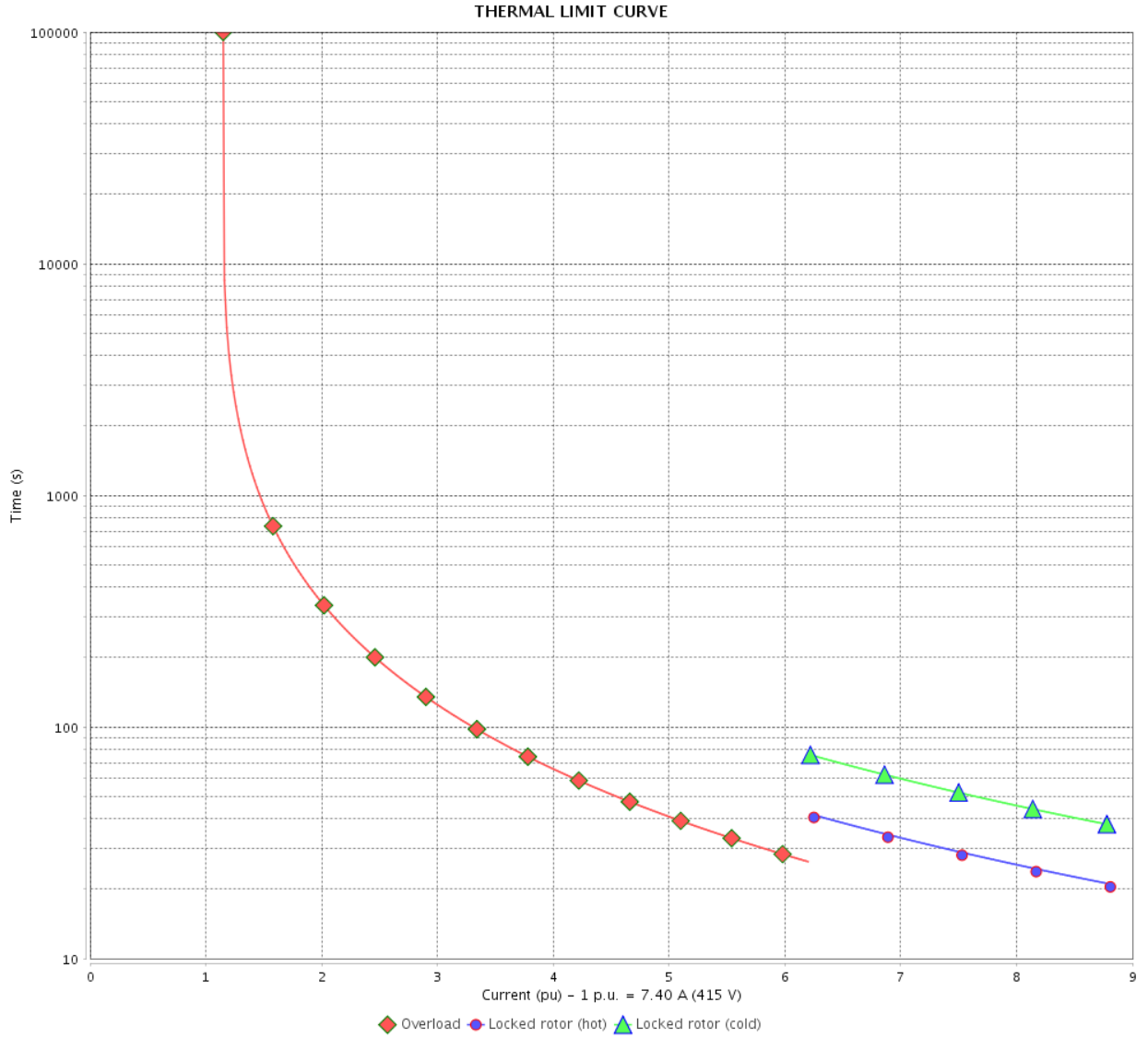
Rev.	Changes Summary	Performed	Checked	Date
Performed by				
Checked by			Page	Revision
Date	12/04/2022		12 / 16	

# THERMAL LIMIT CURVE

Three Phase Induction Motor - Squirrel Cage



Customer : \_\_\_\_\_



Rev.	Changes Summary	Performed	Checked	Date
Performed by		Page		Revision
Checked by		13 / 16		
Date		12/04/2022		

# VFD OPERATION CURVE

Three Phase Induction Motor - Squirrel Cage

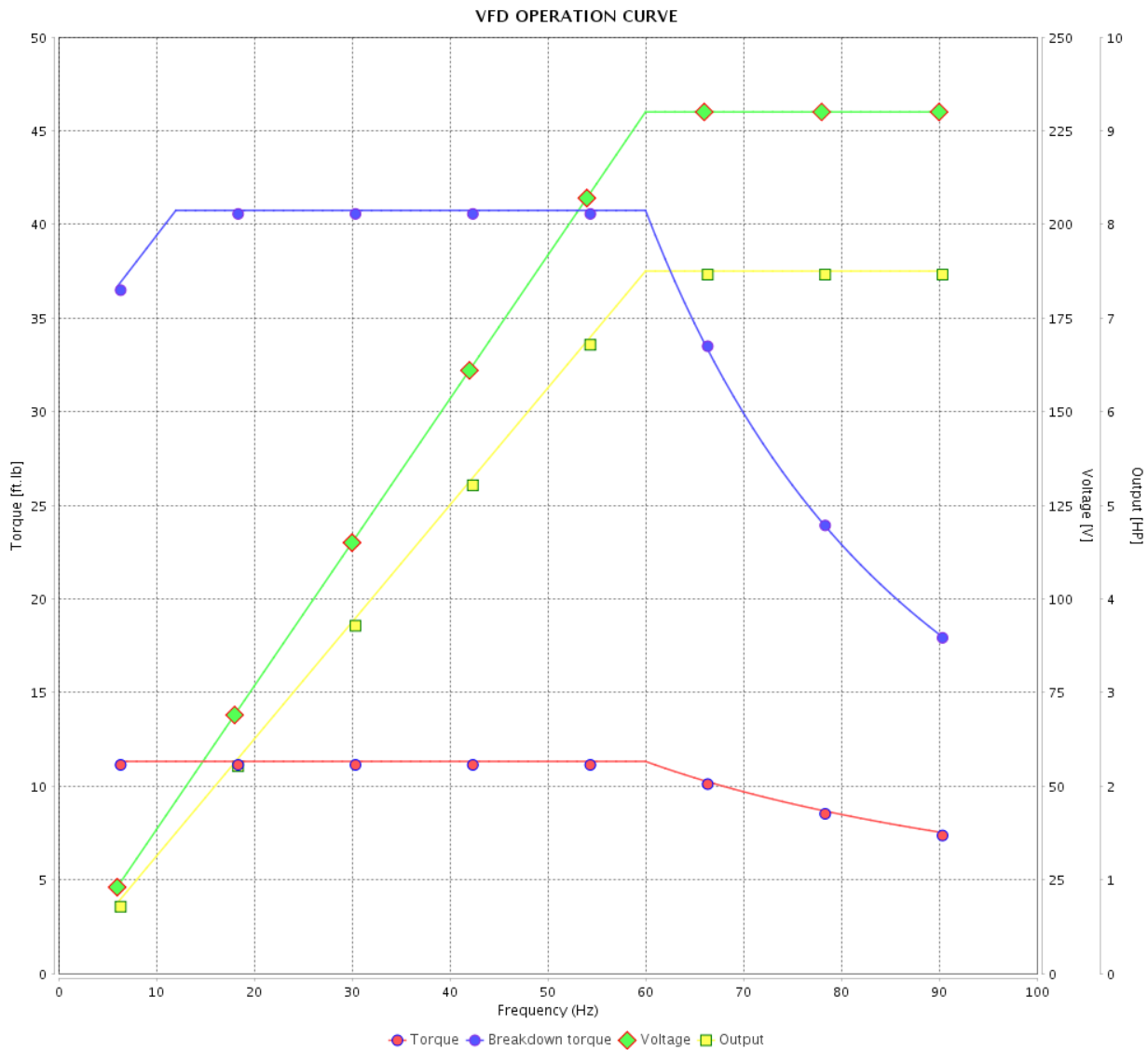


Customer :

Product line : JM Pump NEMA Premium Efficiency Three-Phase

Product code : 13419558

Catalog # : 00736ET3E184JM-S



Performance : 230/460 V 60 Hz 2P

Rated current : 17.1/8.57 A  
 LRC : 7.7  
 Rated torque : 11.3 ft.lb  
 Locked rotor torque : 270 %  
 Breakdown torque : 360 %  
 Rated speed : 3480 rpm

Moment of inertia (J) : 0.1913 sq.ft.lb  
 Duty cycle : Cont.(S1)  
 Insulation class : F  
 Service factor : 1.15  
 Temperature rise : 80 K  
 Design : B

Rev.	Changes Summary	Performed	Checked	Date
Performed by			Page 14 / 16	Revision
Checked by				
Date	12/04/2022			

# VFD OPERATION CURVE

## Three Phase Induction Motor - Squirrel Cage

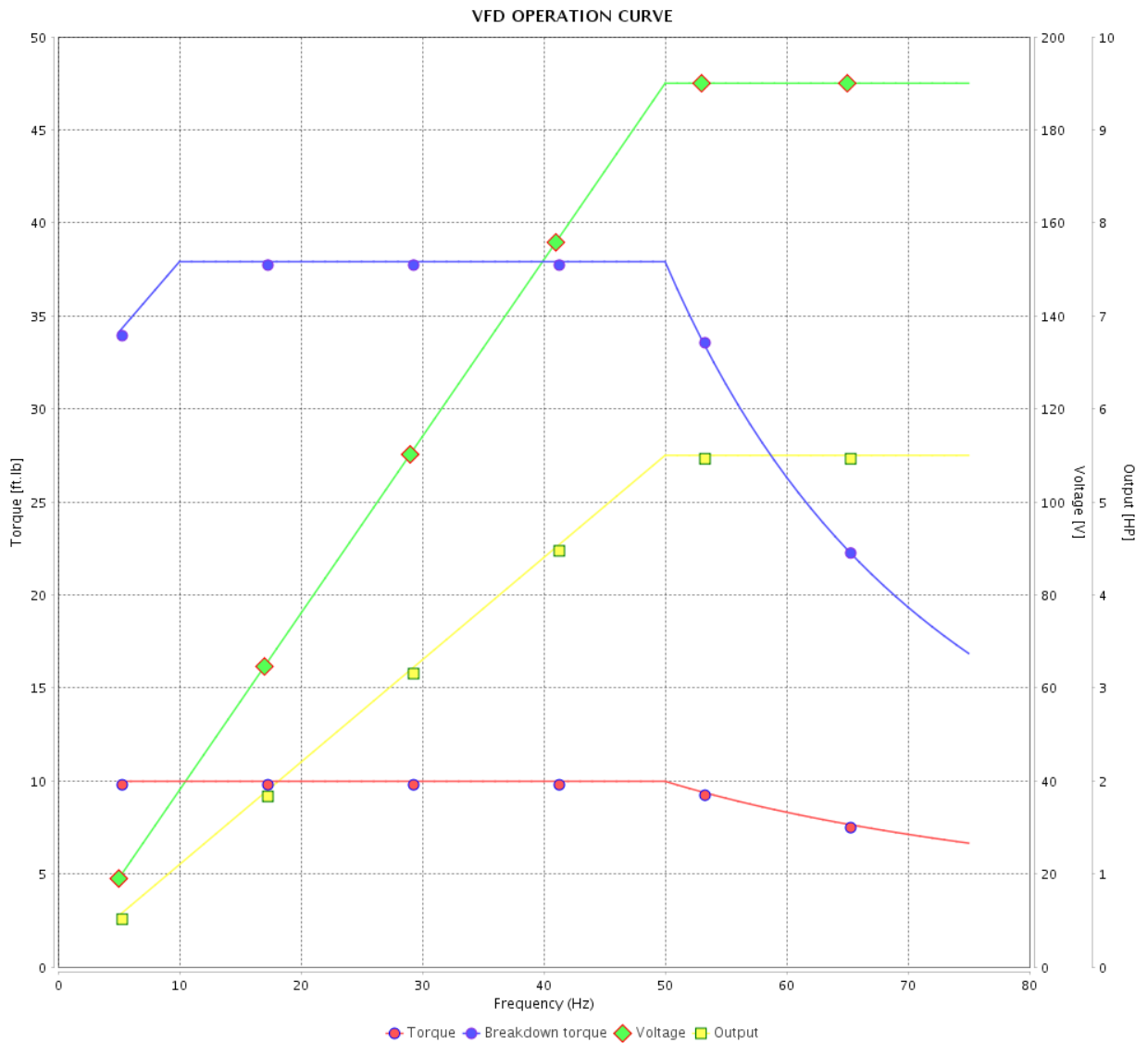


Customer :

Product line : JM Pump NEMA Premium Efficiency Three-Phase

Product code : 13419558

Catalog # : 00736ET3E184JM-S



Performance : 190/380 V 50 Hz 2P

Rated current : 15.3/7.65 A  
 LRC : 8.4  
 Rated torque : 9.98 ft.lb  
 Locked rotor torque : 310 %  
 Breakdown torque : 380 %  
 Rated speed : 2895 rpm

Moment of inertia (J) : 0.1913 sq.ft.lb  
 Duty cycle : Cont.(S1)  
 Insulation class : F  
 Service factor : 1.15  
 Temperature rise : 80 K  
 Design : B

Rev.	Changes Summary	Performed	Checked	Date
Performed by			Page	Revision
Checked by			15 / 16	
Date	12/04/2022			

# VFD OPERATION CURVE

Three Phase Induction Motor - Squirrel Cage

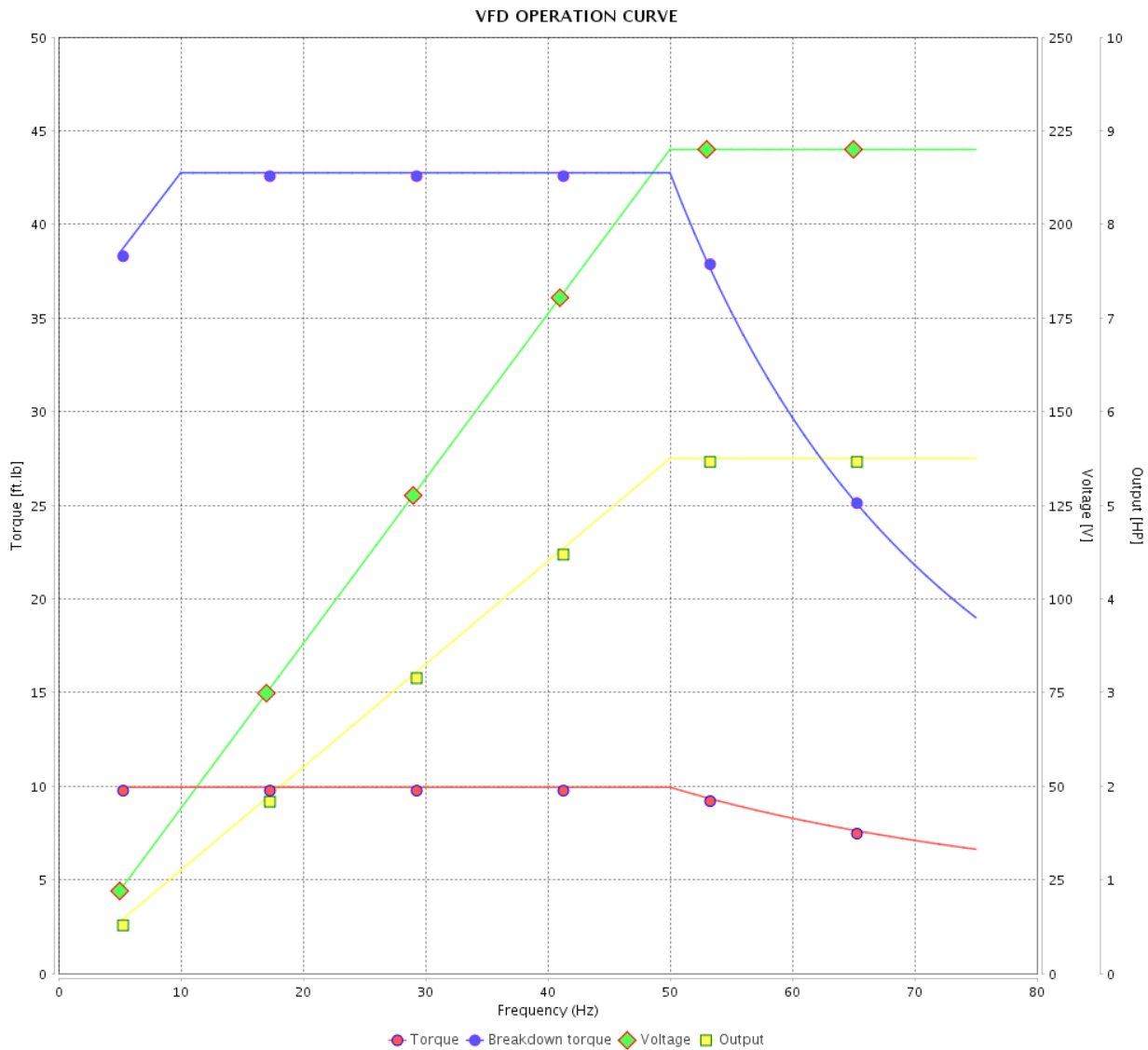


Customer :

Product line : JM Pump NEMA Premium Efficiency Three-Phase

Product code : 13419558

Catalog # : 00736ET3E184JM-S



Performance : 220/415 V 50 Hz 2P

Rated current : 14.0/7.40 A  
 LRC : 8.8  
 Rated torque : 9.94 ft.lb  
 Locked rotor torque : 360 %  
 Breakdown torque : 430 %  
 Rated speed : 2905 rpm

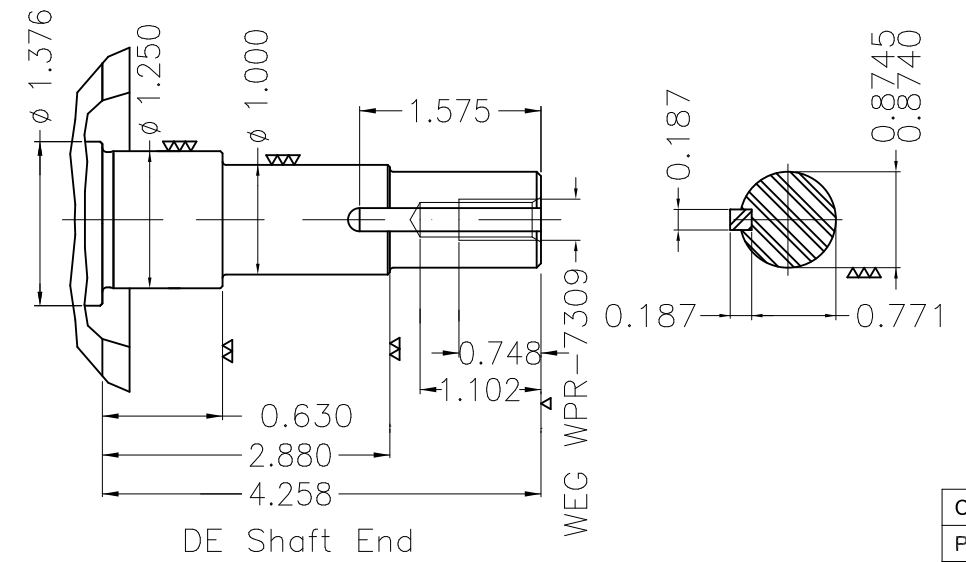
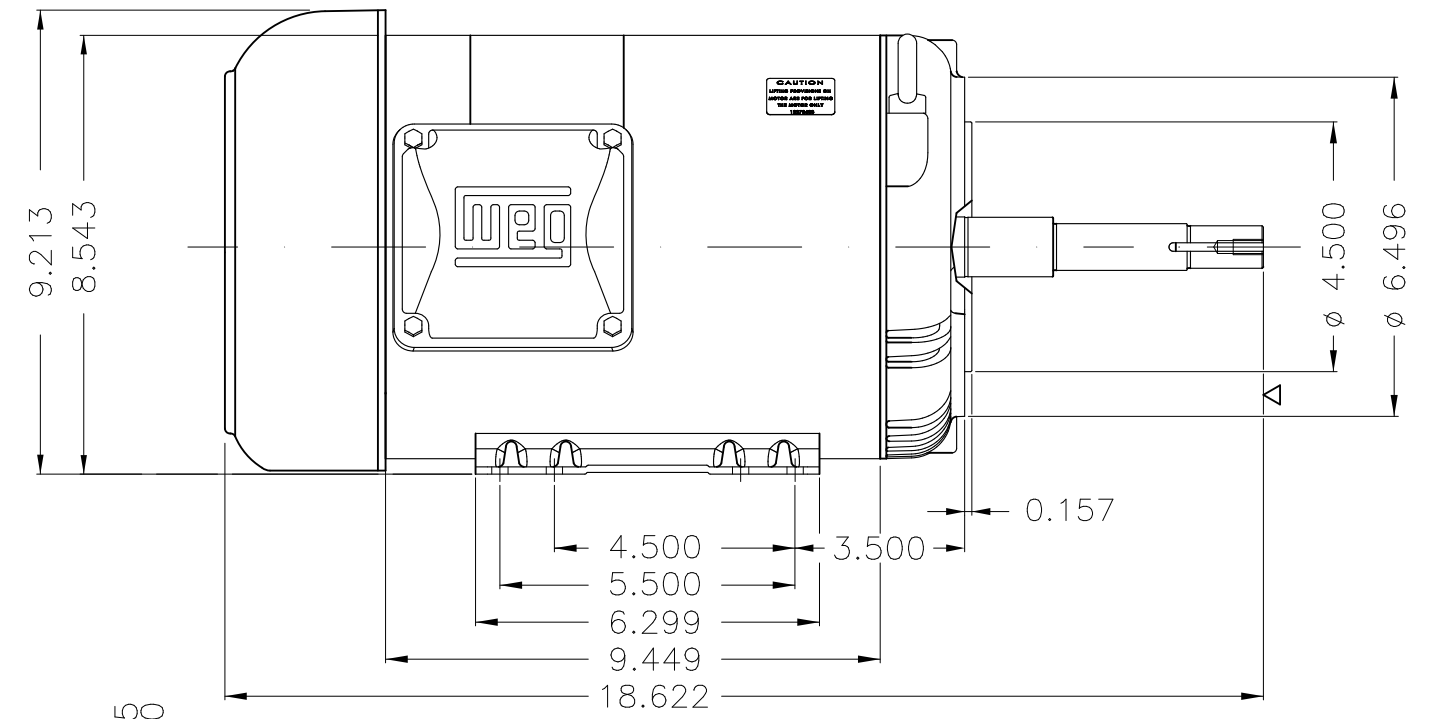
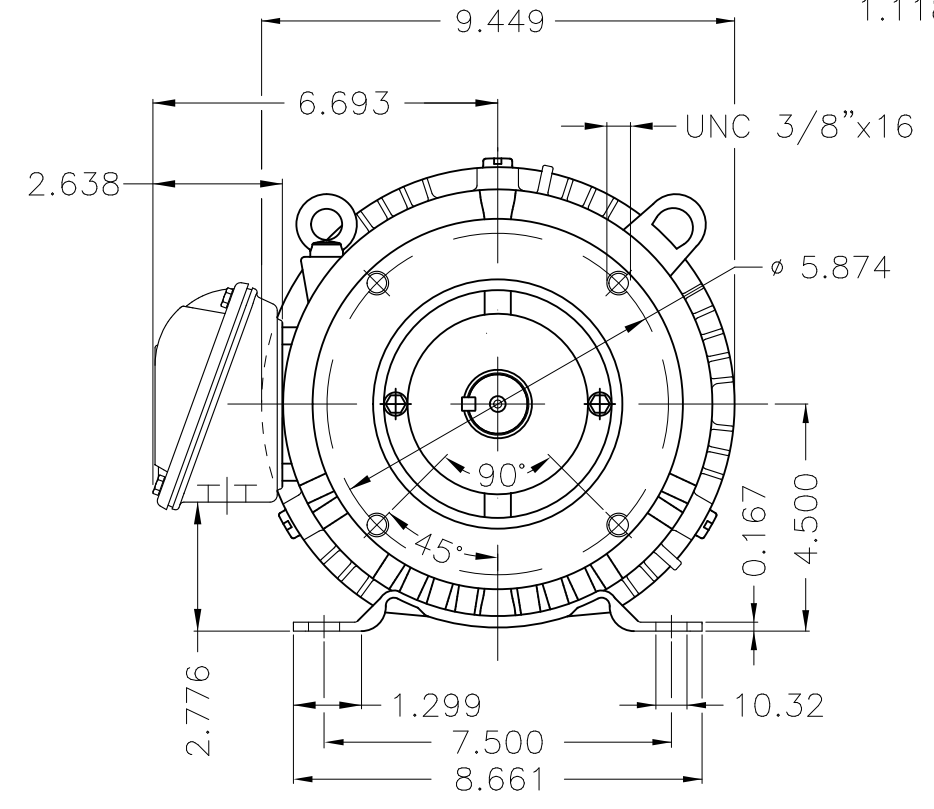
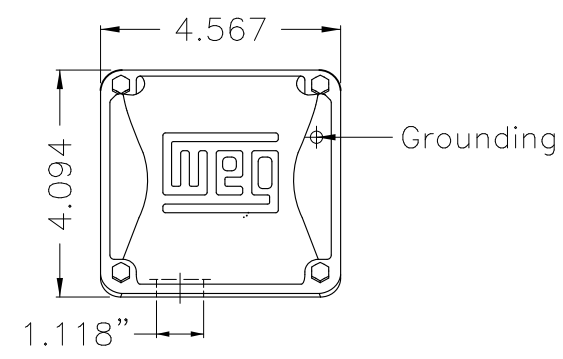
Moment of inertia (J) : 0.1913 sq.ft.lb  
 Duty cycle : Cont.(S1)  
 Insulation class : F  
 Service factor : 1.15  
 Temperature rise : 80 K  
 Design : B

Rev.	Changes Summary	Performed	Checked	Date
Performed by			Page 16 / 16	Revision
Checked by				
Date	12/04/2022			



1 2 3 4 5 6

A  
B  
C  
D  
E



EUNC 3/8"-16 WEG WPR-7309

DE Shaft End

Color Munsell N 1 matte black									
Painting plan 207N									
Mounting F-1/B34R(D)									
ECM	LOC	SUMMARY OF MODIFICATIONS			EXECUTED	CHECKED	RELEASED	DATE	VER
EXECUTED	PIRWUSER	THREE PH. MOTOR ROLLED STEEL CLOSE COUPLED PUMP JM TYPE PSEF 182							
CHECKED		FRAME 182/4JM IP55 TEFC							
RELEASED									
REL DT.		WMO	Jaragua do Sul	Product Engineering	SHEET		1 / 1		

7.5 HP 02 Poles 60 Hz



**NEMA**  
**Premium**



MADE IN MEXICO

**MAT: 13419558 CC029A**

**W01.TE0IC0X0N**

**MODEL 00736ET3E184JM-S**

**22MAR2022 S/N:**

**For 60Hz: Class I, Zone 2, IIC  
Class I, Div.2, Gr. A,B,C,D - T3  
Div 2 Inverter Duty (SF1.00)**

**CT 2:1/VT 1000:1**

PH 3	Hz 60	HP 7.5
FR 182/4JM		KW 5.5
DUTY CONT.		V 230/460
ALT 1000 m.a.s.l.		A 17.1/8.57
INS CL F AT 80K	IP55	SFA 19.7/9.86
AMB 40°C	DES B	SF 1.15
ENCL TEFC	CODE H	PF 0.90
USABLE @ 208V 19.0A		RPM 3480
SF1.00		NEMA NOM. EFF 89.5%

ALTERNATE RATING: 5.5HP 50Hz 190-220/380-415V SF1.15
15.3-13.87.65-7.29A 2895RPM EFF 89.3% (IE3) IEC 60034-1

DE 6207-ZZ	ODE 6205-ZZ	MOBIL POLYREX EM
------------	-------------	------------------



T1-BLU T2-WHT  
T3-ORG T4-YEL  
T5-BLK T6-GRY  
T7-PNK T8-RED  
T9-BRK RED

INTERCHANGE ANY TWO LINE WIRES TO REVERSE THE ROTATION



**WARNING:** Motor must be grounded in accordance with local and national electrical codes to prevent serious electrical shocks. Disconnect power source before servicing unit.

**AVERTISSEMENT:** Le moteur doit être mis à la terre conformément aux codes électriques locaux et nationaux afin d'éviter tout choc électrique grave. Déconnectez l'alimentation avant l'entretien de la machine.

