

DATA SHEET

Three Phase Induction Motor - Squirrel Cage



Customer :		
Product line	: JP Pump NEMA Premium Efficiency Three-Phase	
Product code :	14329716	
Catalog # :	00736ET3E213JP-SG	
Frame	: 213/5JP	
Insulation class	: F	
Duty cycle	: Cont.(S1)	
Ambient temperature	: -20°C to +40°C	
Altitude	: 1000 m.a.s.l.	
Protection degree	: IP55	
Design	: B	
Cooling method	: IC411 - TEFC	
Mounting	: F-1	
Rotation ¹	: Both (CW and CCW)	
Starting method	: Direct On Line	
Approx. weight ²	: 145 lb	
Moment of inertia (J)	: 0.5496 sq.ft.lb	
Output [HP]	7.5	
Poles	2	
Frequency [Hz]	60	
Rated voltage [V]	230/460	
Rated current [A]	17.3/8.67	
L. R. Amperes [A]	132/65.9	
LRC [A]	7.6x(Code H)	
No load current [A]	6.63/3.32	
Rated speed [RPM]	3530	
Slip [%]	1.94	
Rated torque [ft.lb]	11.2	
Locked rotor torque [%]	260	
Breakdown torque [%]	300	
Service factor	1.15	
Temperature rise	80 K	
Locked rotor time	27s (cold) 15s (hot)	
Noise level ²	70.0 dB(A)	
Efficiency (%)	25%	86.4
	50%	87.5
	75%	88.5
	100%	89.5
Power Factor	25%	0.49
	50%	0.76
	75%	0.85
	100%	0.89
Bearing type	: <u>Drive end</u> 6209 ZZ <u>Non drive end</u> 6206 ZZ	
Sealing	: V'Ring Without Bearing Seal	
Lubrication interval	: -	
Lubricant amount	: -	
Lubricant type	: Mobil Polyrex EM	
Foundation loads	Max. traction : 133 lb	
	Max. compression : 278 lb	
Notes USABLE @208V 19.2A SF 1.00 SFA 19.2A		
This revision replaces and cancel the previous one, which must be eliminated. (1) Looking the motor from the shaft end. (2) Measured at 1m and with tolerance of +3dB(A). (3) Approximate weight subject to changes after manufacturing process. (4) At 100% of full load.		
These are average values based on tests with sinusoidal power supply, subject to the tolerances stipulated in NEMA MG-1.		
Rev.	Changes Summary	
Performed by	Performed	
Checked by	Checked	
Date	Date	
12/04/2022		
Page	Revision	
1 / 16		

TORQUE AND CURRENT VS SPEED CURVE

Three Phase Induction Motor - Squirrel Cage



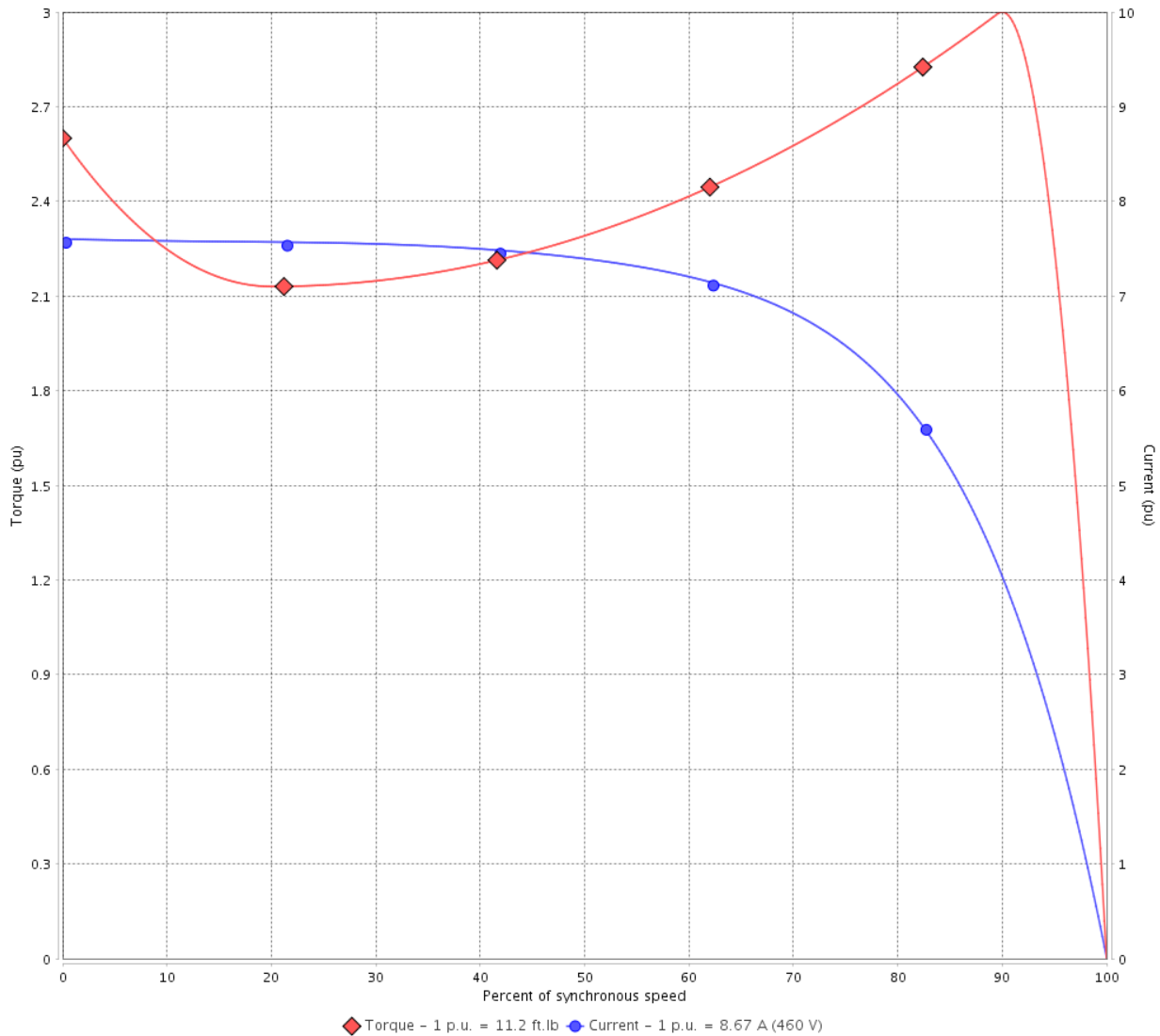
Customer :

Product line : JP Pump NEMA Premium
Efficiency Three-Phase

Product code : 14329716

Catalog # : 00736ET3E213JP-SG

TORQUE AND CURRENT VS SPEED CURVE



Performance : 230/460 V 60 Hz 2P

Rated current	: 17.3/8.67 A	Moment of inertia (J)	: 0.5496 sq.ft.lb
LRC	: 7.6	Duty cycle	: Cont.(S1)
Rated torque	: 11.2 ft.lb	Insulation class	: F
Locked rotor torque	: 260 %	Service factor	: 1.15
Breakdown torque	: 300 %	Temperature rise	: 80 K
Rated speed	: 3530 rpm	Design	: B

Locked rotor time : 27s (cold) 15s (hot)

Rev.	Changes Summary	Performed	Checked	Date
Performed by			Page 2 / 16	Revision
Checked by				
Date	12/04/2022			

TORQUE AND CURRENT VS SPEED CURVE



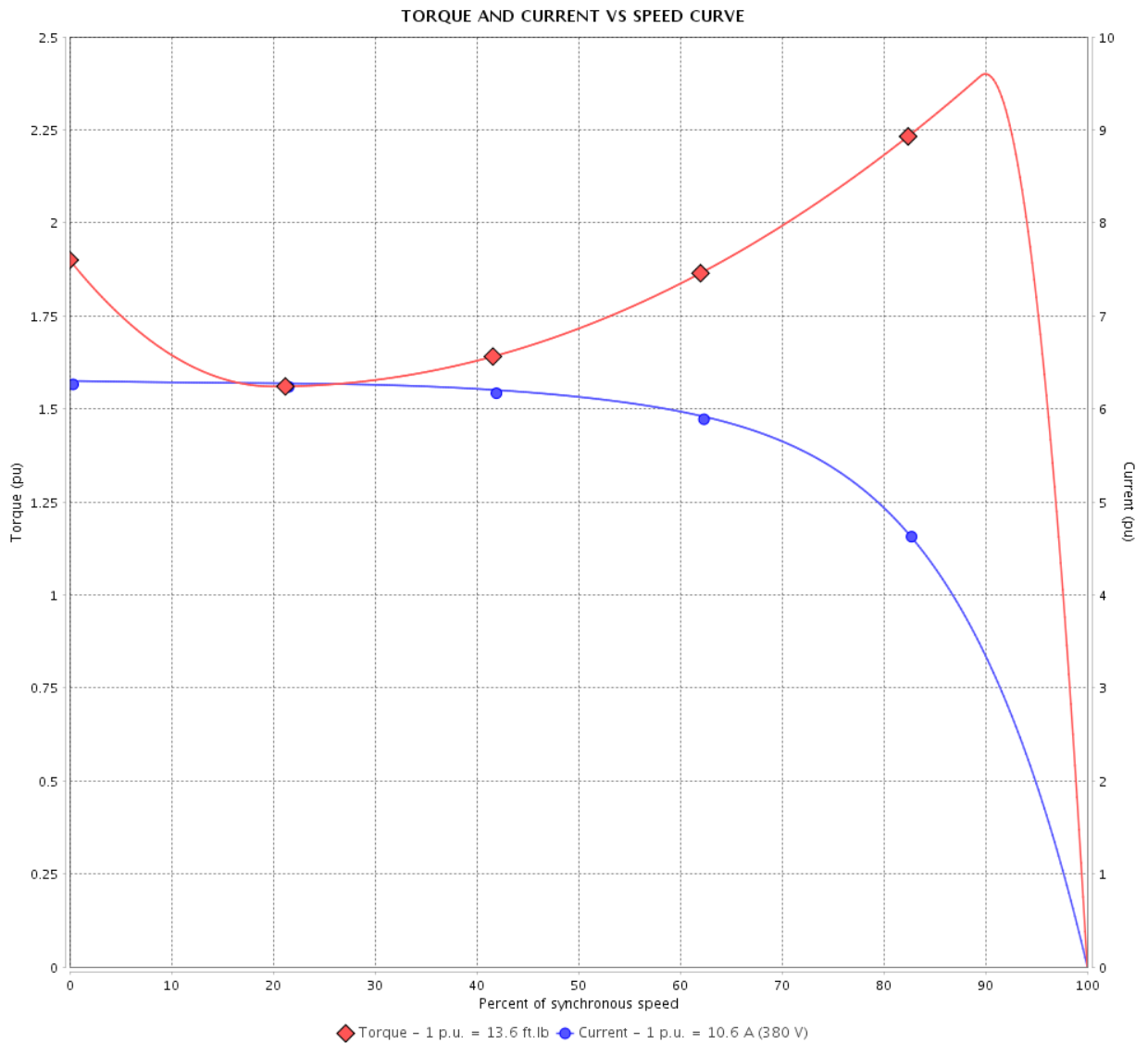
Three Phase Induction Motor - Squirrel Cage

Customer :

Product line : JP Pump NEMA Premium Efficiency Three-Phase

Product code : 14329716

Catalog # : 00736ET3E213JP-SG



Performance : 190/380 V 50 Hz 2P

Rated current : 21.2/10.6 A
 LRC : 6.3
 Rated torque : 13.6 ft.lb
 Locked rotor torque : 190 %
 Breakdown torque : 240 %
 Rated speed : 2905 rpm

Moment of inertia (J) : 0.5496 sq.ft.lb
 Duty cycle : Cont.(S1)
 Insulation class : F
 Service factor : 1.00
 Temperature rise : 105 K
 Design : B

Locked rotor time : 0s (cold) 0s (hot)

Rev.	Changes Summary	Performed	Checked	Date
Performed by			Page	Revision
Checked by			3 / 16	
Date	12/04/2022			

TORQUE AND CURRENT VS SPEED CURVE

Three Phase Induction Motor - Squirrel Cage



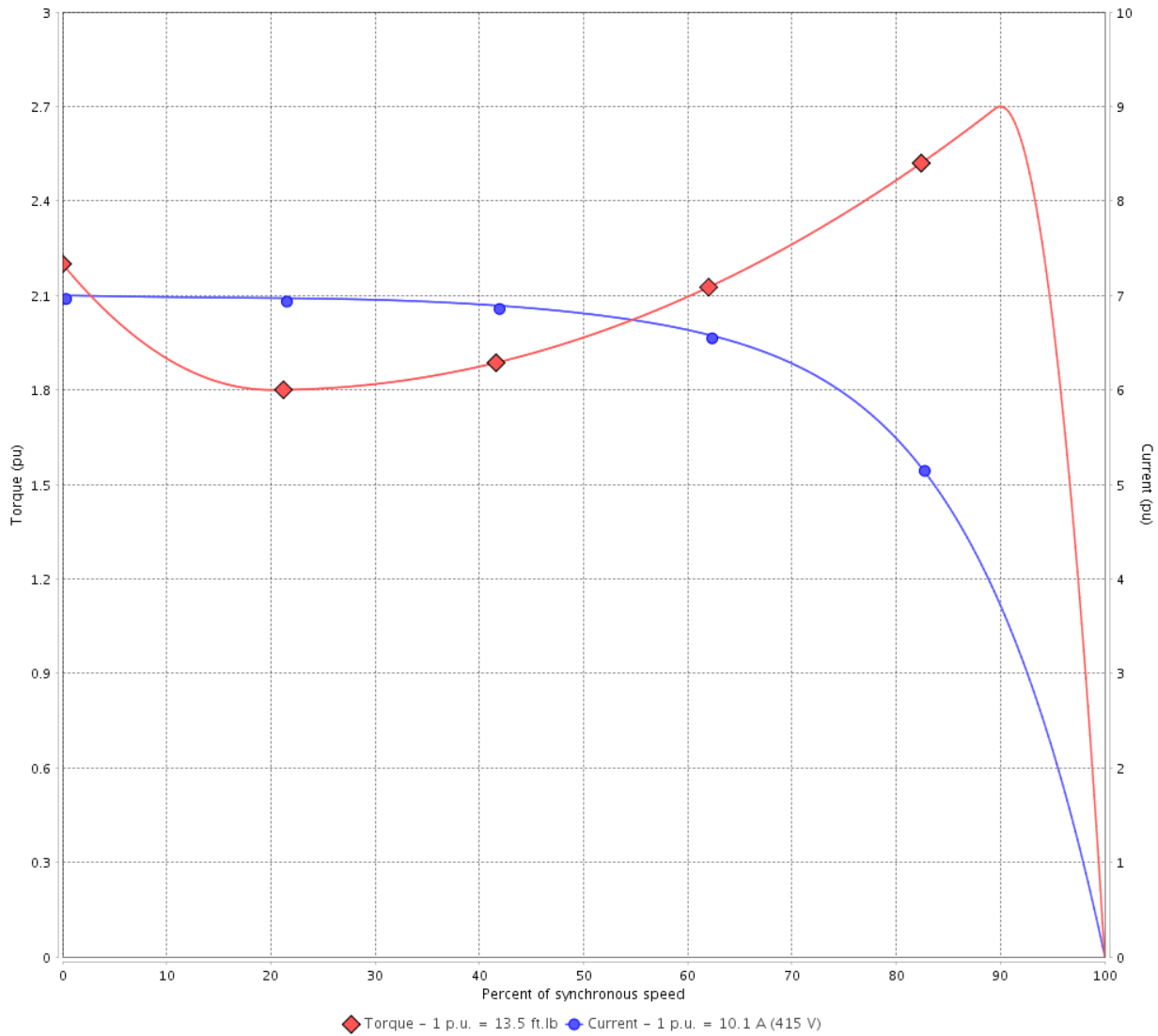
Customer :

Product line : JP Pump NEMA Premium
Efficiency Three-Phase

Product code : 14329716

Catalog # : 00736ET3E213JP-SG

TORQUE AND CURRENT VS SPEED CURVE



Performance : 220/415 V 50 Hz 2P

Rated current	: 19.1/10.1 A	Moment of inertia (J)	: 0.5496 sq.ft.lb
LRC	: 7.0	Duty cycle	: Cont.(S1)
Rated torque	: 13.5 ft.lb	Insulation class	: F
Locked rotor torque	: 220 %	Service factor	: 1.00
Breakdown torque	: 270 %	Temperature rise	: 80 K
Rated speed	: 2915 rpm	Design	: B

Locked rotor time : 0s (cold) 0s (hot)

Rev.	Changes Summary	Performed	Checked	Date
Performed by			Page 4 / 16	Revision
Checked by				
Date	12/04/2022			

LOAD PERFORMANCE CURVE

Three Phase Induction Motor - Squirrel Cage

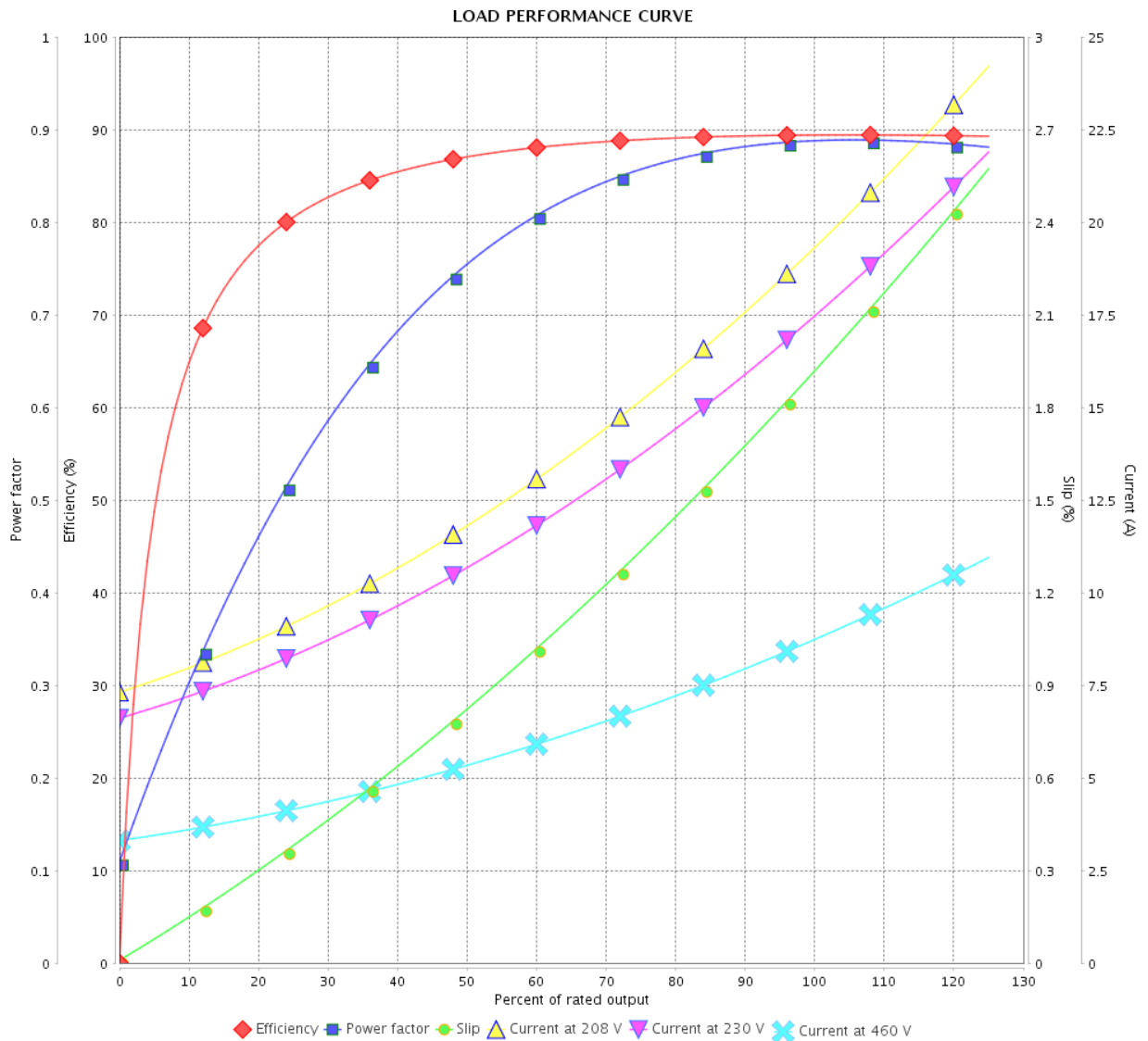


Customer :

Product line : JP Pump NEMA Premium
Efficiency Three-Phase

Product code : 14329716

Catalog # : 00736ET3E213JP-SG



Performance : 230/460 V 60 Hz 2P

Rated current : 17.3/8.67 A
 LRC : 7.6
 Rated torque : 11.2 ft.lb
 Locked rotor torque : 260 %
 Breakdown torque : 300 %
 Rated speed : 3530 rpm

Moment of inertia (J) : 0.5496 sq.ft.lb
 Duty cycle : Cont.(S1)
 Insulation class : F
 Service factor : 1.15
 Temperature rise : 80 K
 Design : B

Rev.	Changes Summary	Performed	Checked	Date
Performed by		Page		Revision
Checked by		5 / 16		
Date		12/04/2022		

LOAD PERFORMANCE CURVE

Three Phase Induction Motor - Squirrel Cage



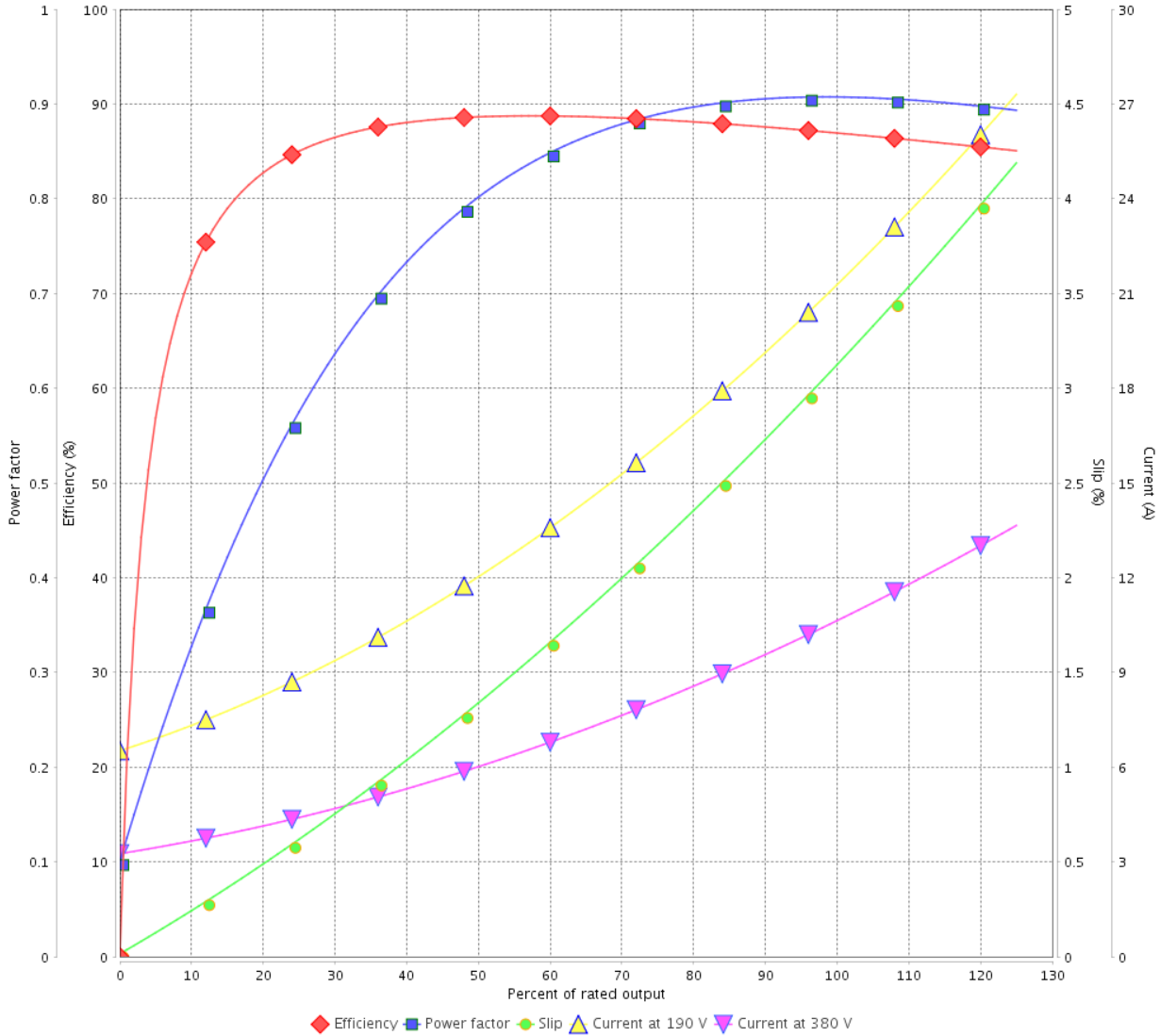
Customer :

Product line : JP Pump NEMA Premium
Efficiency Three-Phase

Product code : 14329716

Catalog # : 00736ET3E213JP-SG

LOAD PERFORMANCE CURVE



Performance : 190/380 V 50 Hz 2P

Rated current : 21.2/10.6 A
LRC : 6.3
Rated torque : 13.6 ft.lb
Locked rotor torque : 190 %
Breakdown torque : 240 %
Rated speed : 2905 rpm

Moment of inertia (J) : 0.5496 sq.ft.lb
Duty cycle : Cont.(S1)
Insulation class : F
Service factor : 1.00
Temperature rise : 105 K
Design : B

Rev.	Changes Summary	Performed	Checked	Date
Performed by			Page	Revision
Checked by				
Date				

LOAD PERFORMANCE CURVE

Three Phase Induction Motor - Squirrel Cage

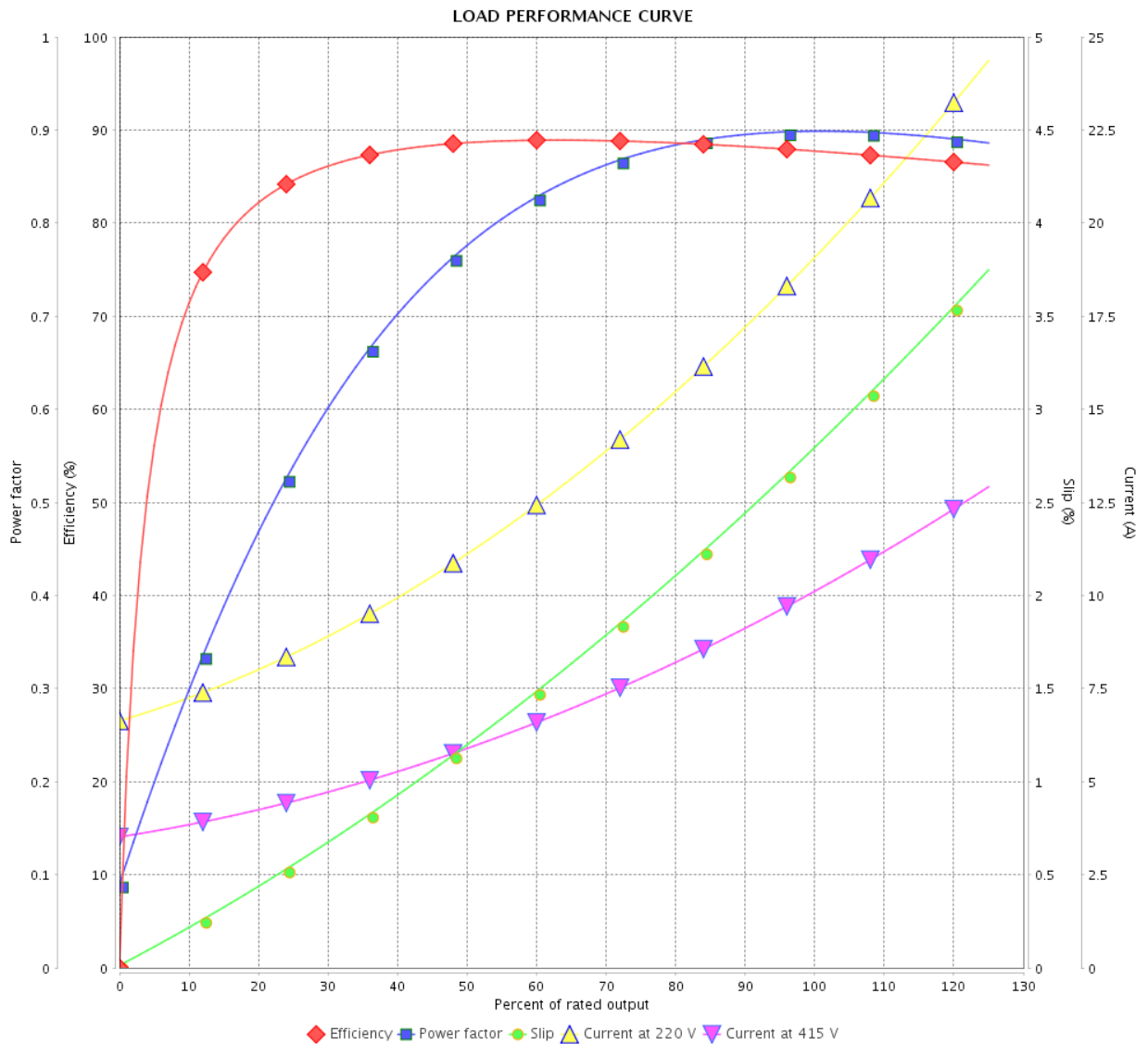


Customer :

Product line : JP Pump NEMA Premium
Efficiency Three-Phase

Product code : 14329716

Catalog # : 00736ET3E213JP-SG



Performance : 220/415 V 50 Hz 2P

Rated current : 19.1/10.1 A
 LRC : 7.0
 Rated torque : 13.5 ft.lb
 Locked rotor torque : 220 %
 Breakdown torque : 270 %
 Rated speed : 2915 rpm

Moment of inertia (J) : 0.5496 sq.ft.lb
 Duty cycle : Cont.(S1)
 Insulation class : F
 Service factor : 1.00
 Temperature rise : 80 K
 Design : B

Rev.	Changes Summary	Performed	Checked	Date
Performed by			Page	Revision
Checked by			7 / 16	
Date	12/04/2022			

THERMAL LIMIT CURVE



Three Phase Induction Motor - Squirrel Cage

Customer :

Product line : JP Pump NEMA Premium
Efficiency Three-Phase

Product code : 14329716

Catalog # : 00736ET3E213JP-SG

Performance : 230/460 V 60 Hz 2P

Rated current : 17.3/8.67 A
LRC : 7.6
Rated torque : 11.2 ft.lb
Locked rotor torque : 260 %
Breakdown torque : 300 %
Rated speed : 3530 rpm

Moment of inertia (J) : 0.5496 sq.ft.lb
Duty cycle : Cont.(S1)
Insulation class : F
Service factor : 1.15
Temperature rise : 80 K
Design : B

Heating constant

Cooling constant

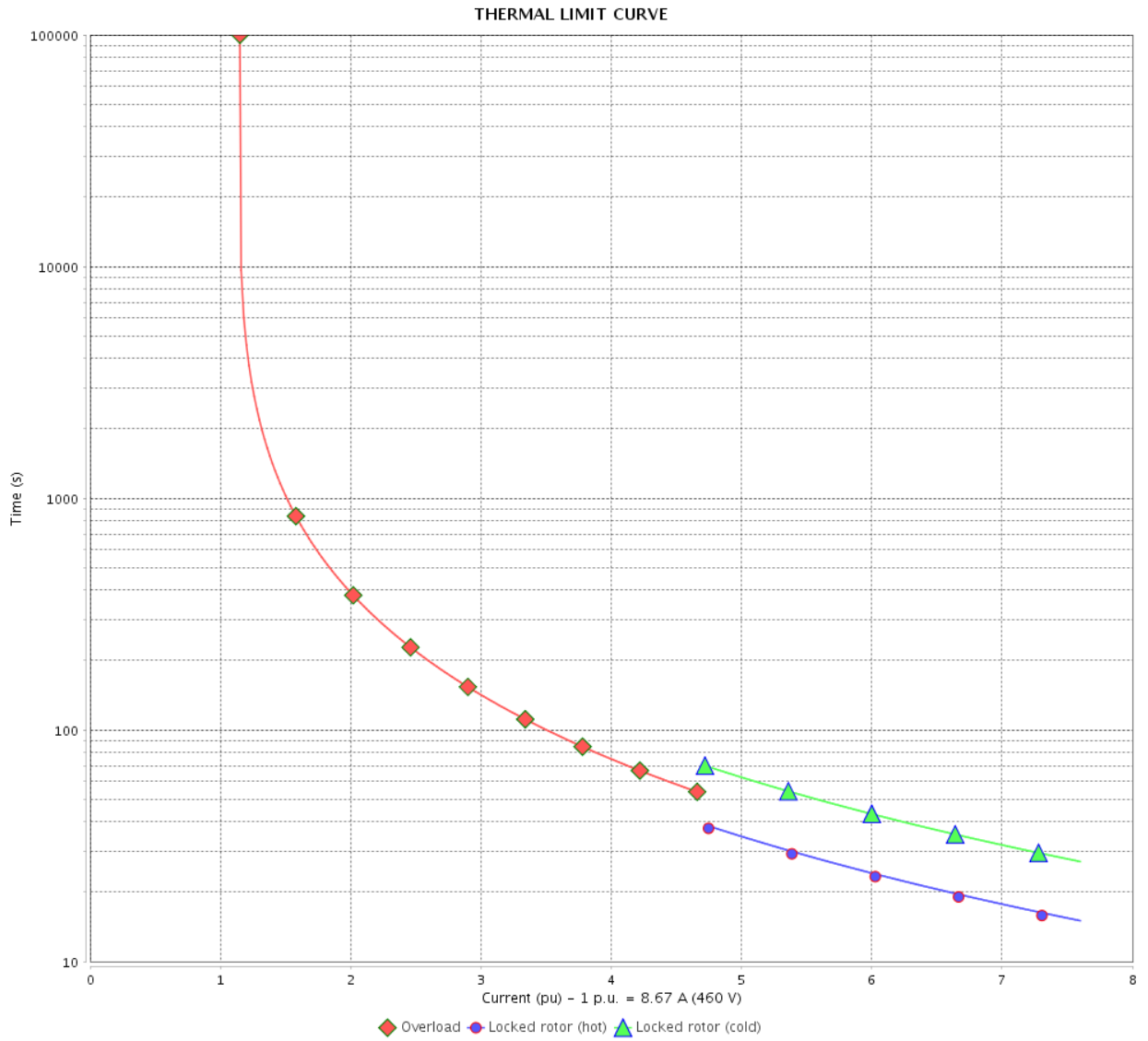
Rev.	Changes Summary	Performed	Checked	Date
Performed by				
Checked by			Page	Revision
Date	12/04/2022		8 / 16	

THERMAL LIMIT CURVE

Three Phase Induction Motor - Squirrel Cage



Customer : _____



Rev.	Changes Summary	Performed	Checked	Date
Performed by		Page		Revision
Checked by		9 / 16		
Date		12/04/2022		

THERMAL LIMIT CURVE



Three Phase Induction Motor - Squirrel Cage

Customer :

Product line : JP Pump NEMA Premium
Efficiency Three-Phase

Product code : 14329716

Catalog # : 00736ET3E213JP-SG

Performance : 190/380 V 50 Hz 2P

Rated current : 21.2/10.6 A
LRC : 6.3
Rated torque : 13.6 ft.lb
Locked rotor torque : 190 %
Breakdown torque : 240 %
Rated speed : 2905 rpm

Moment of inertia (J) : 0.5496 sq.ft.lb
Duty cycle : Cont.(S1)
Insulation class : F
Service factor : 1.00
Temperature rise : 105 K
Design : B

Heating constant

Cooling constant

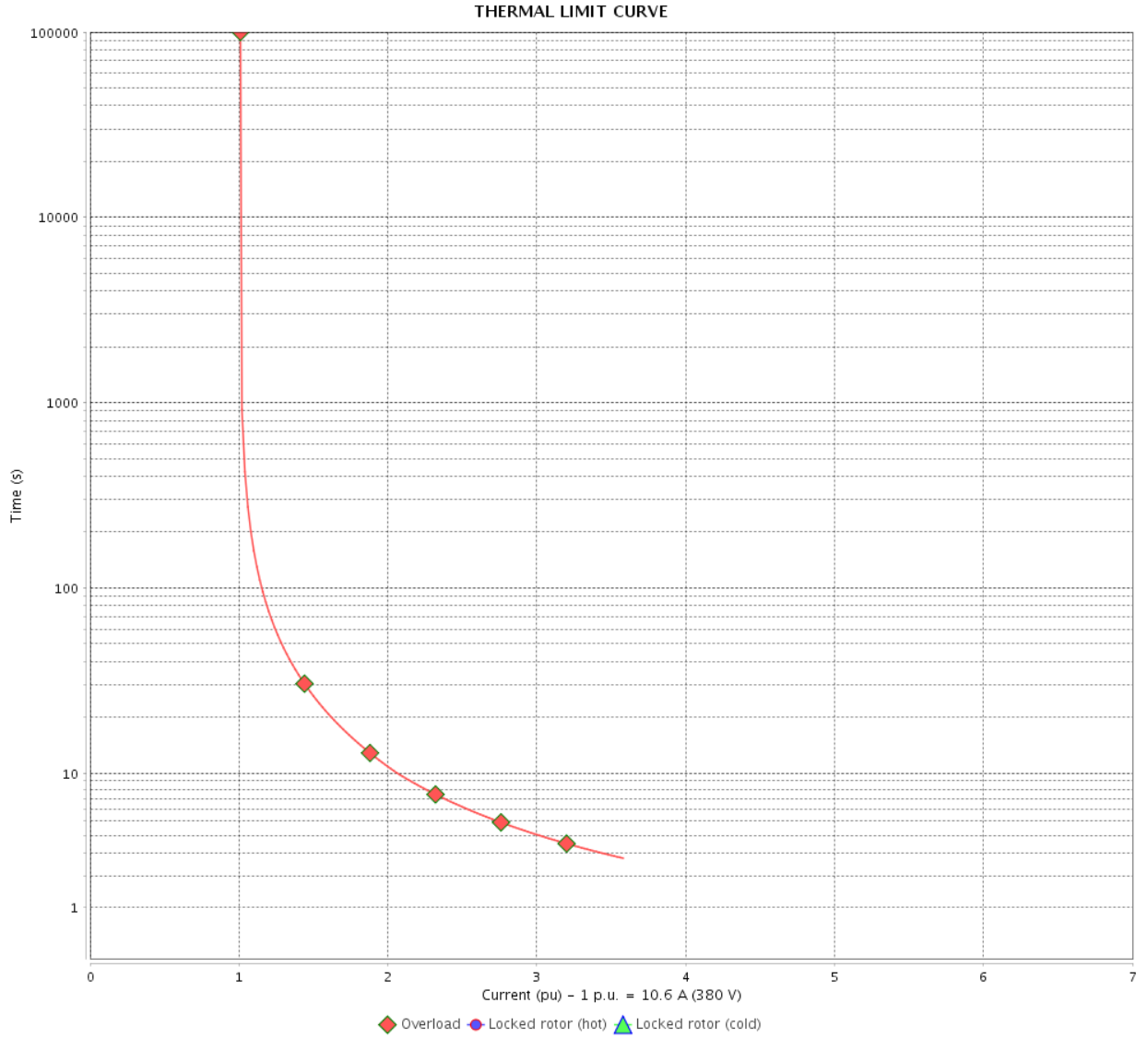
Rev.	Changes Summary	Performed	Checked	Date
Performed by				
Checked by			Page	Revision
Date	12/04/2022		10 / 16	

THERMAL LIMIT CURVE

Three Phase Induction Motor - Squirrel Cage



Customer : _____



Rev.	Changes Summary	Performed	Checked	Date
Performed by		Page		Revision
Checked by		11 / 16		
Date		12/04/2022		

THERMAL LIMIT CURVE



Three Phase Induction Motor - Squirrel Cage

Customer :

Product line : JP Pump NEMA Premium
Efficiency Three-Phase

Product code : 14329716

Catalog # : 00736ET3E213JP-SG

Performance : 220/415 V 50 Hz 2P

Rated current : 19.1/10.1 A
LRC : 7.0
Rated torque : 13.5 ft.lb
Locked rotor torque : 220 %
Breakdown torque : 270 %
Rated speed : 2915 rpm

Moment of inertia (J) : 0.5496 sq.ft.lb
Duty cycle : Cont.(S1)
Insulation class : F
Service factor : 1.00
Temperature rise : 80 K
Design : B

Heating constant

Cooling constant

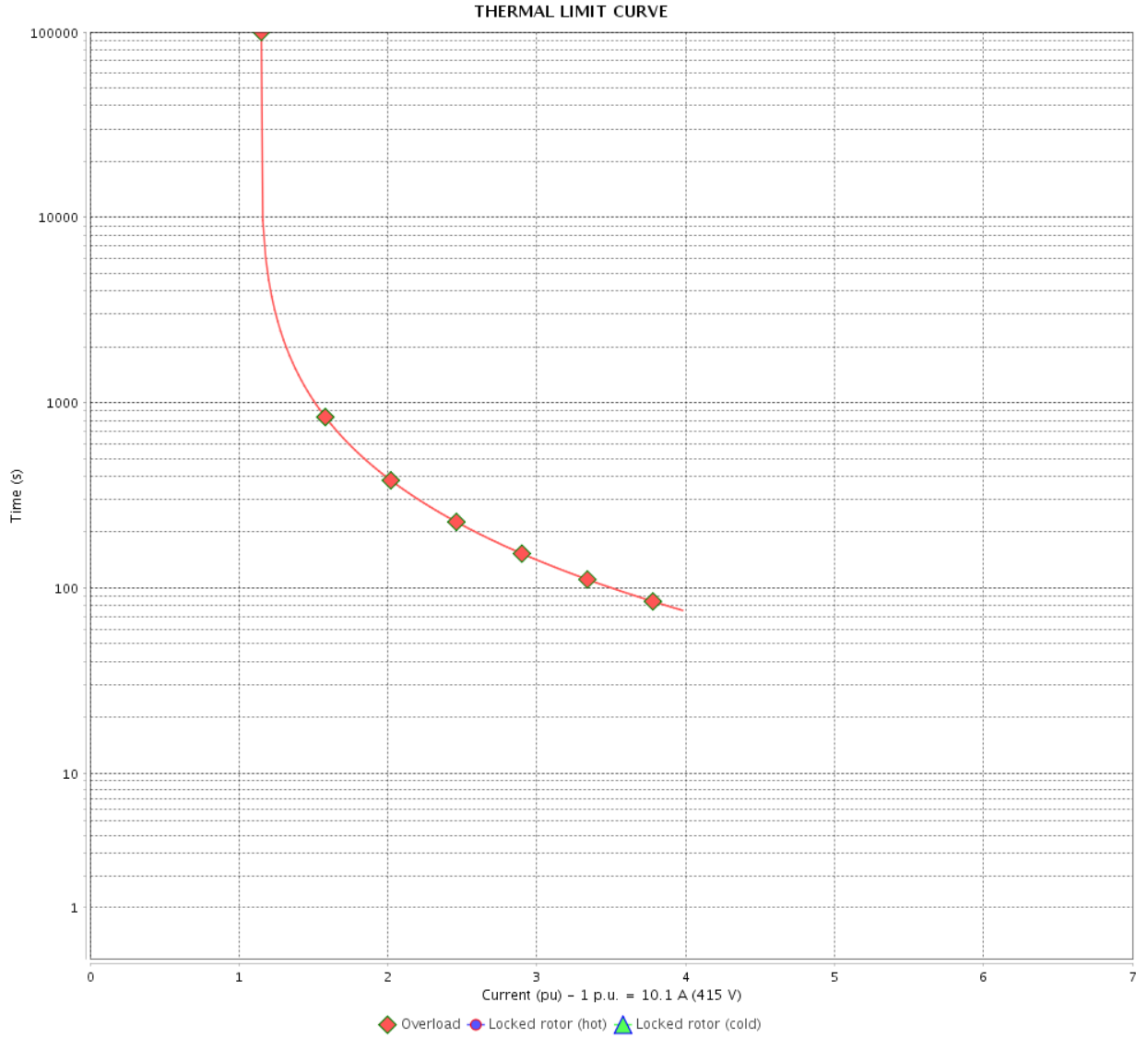
Rev.	Changes Summary	Performed	Checked	Date
Performed by			Page 12 / 16	Revision
Checked by				
Date	12/04/2022			

THERMAL LIMIT CURVE

Three Phase Induction Motor - Squirrel Cage



Customer : _____



Rev.	Changes Summary	Performed	Checked	Date
Performed by		Page		Revision
Checked by		13 / 16		
Date		12/04/2022		

VFD OPERATION CURVE

Three Phase Induction Motor - Squirrel Cage



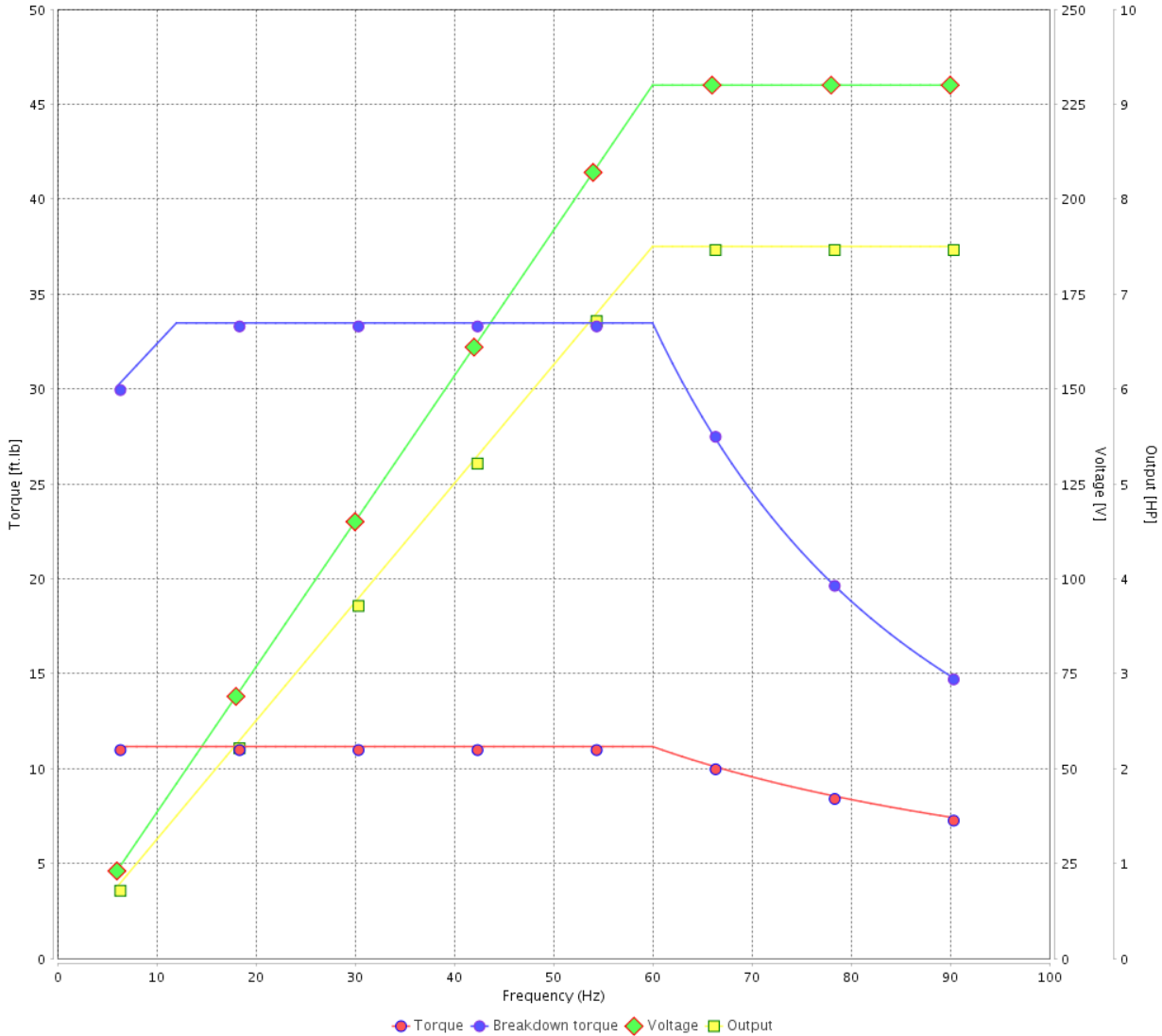
Customer :

Product line : JP Pump NEMA Premium Efficiency Three-Phase

Product code : 14329716

Catalog # : 00736ET3E213JP-SG

VFD OPERATION CURVE



Performance : 230/460 V 60 Hz 2P

Rated current : 17.3/8.67 A
 LRC : 7.6
 Rated torque : 11.2 ft.lb
 Locked rotor torque : 260 %
 Breakdown torque : 300 %
 Rated speed : 3530 rpm

Moment of inertia (J) : 0.5496 sq.ft.lb
 Duty cycle : Cont.(S1)
 Insulation class : F
 Service factor : 1.15
 Temperature rise : 80 K
 Design : B

Rev.	Changes Summary	Performed	Checked	Date
Performed by			Page	Revision
Checked by			14 / 16	
Date	12/04/2022			

VFD OPERATION CURVE

Three Phase Induction Motor - Squirrel Cage

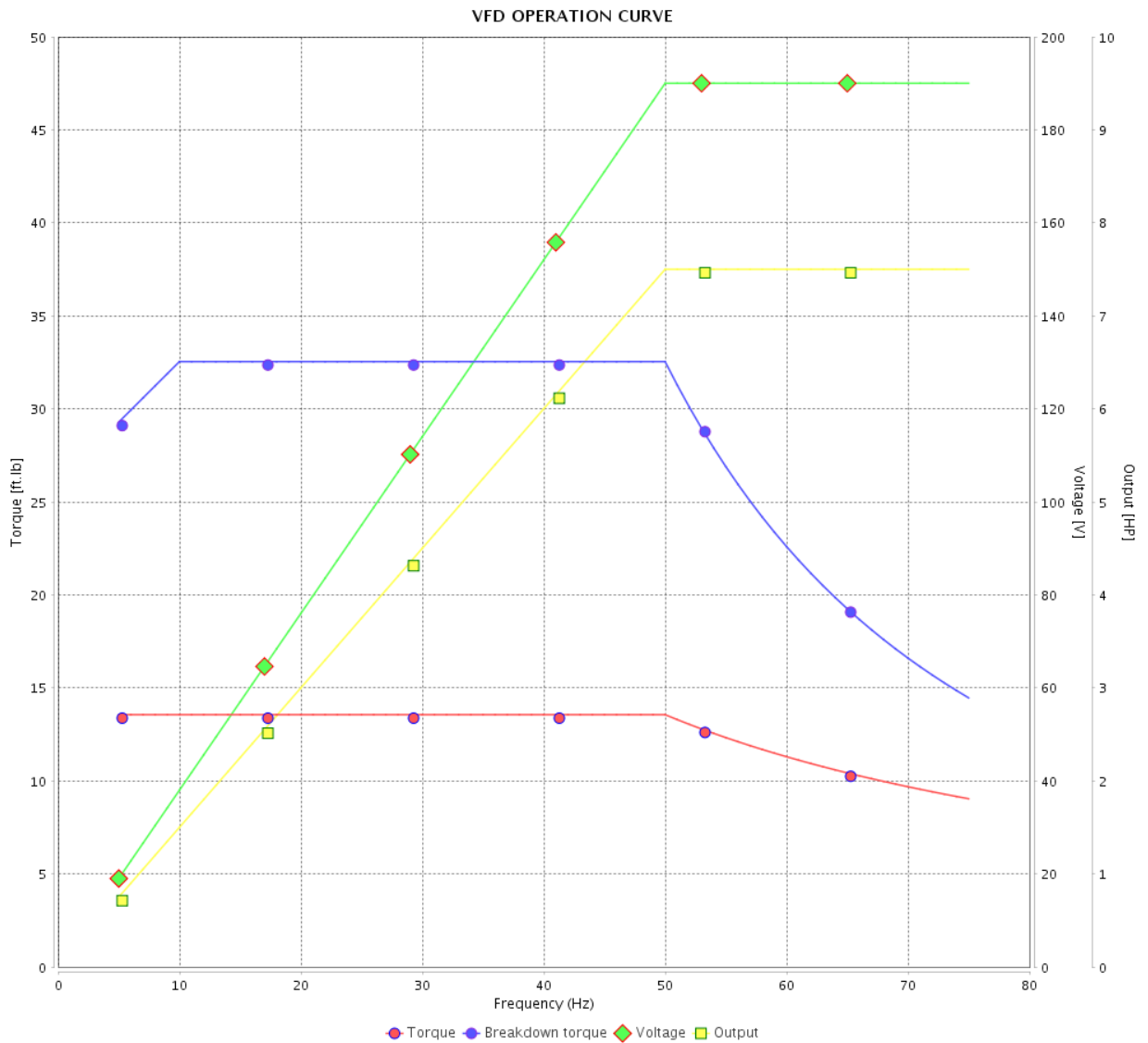


Customer :

Product line : JP Pump NEMA Premium Efficiency Three-Phase

Product code : 14329716

Catalog # : 00736ET3E213JP-SG



Performance : 190/380 V 50 Hz 2P

Rated current : 21.2/10.6 A
 LRC : 6.3
 Rated torque : 13.6 ft.lb
 Locked rotor torque : 190 %
 Breakdown torque : 240 %
 Rated speed : 2905 rpm

Moment of inertia (J) : 0.5496 sq.ft.lb
 Duty cycle : Cont.(S1)
 Insulation class : F
 Service factor : 1.00
 Temperature rise : 105 K
 Design : B

Rev.	Changes Summary	Performed	Checked	Date
Performed by		Page		Revision
Checked by		15 / 16		
Date	12/04/2022			

VFD OPERATION CURVE

Three Phase Induction Motor - Squirrel Cage



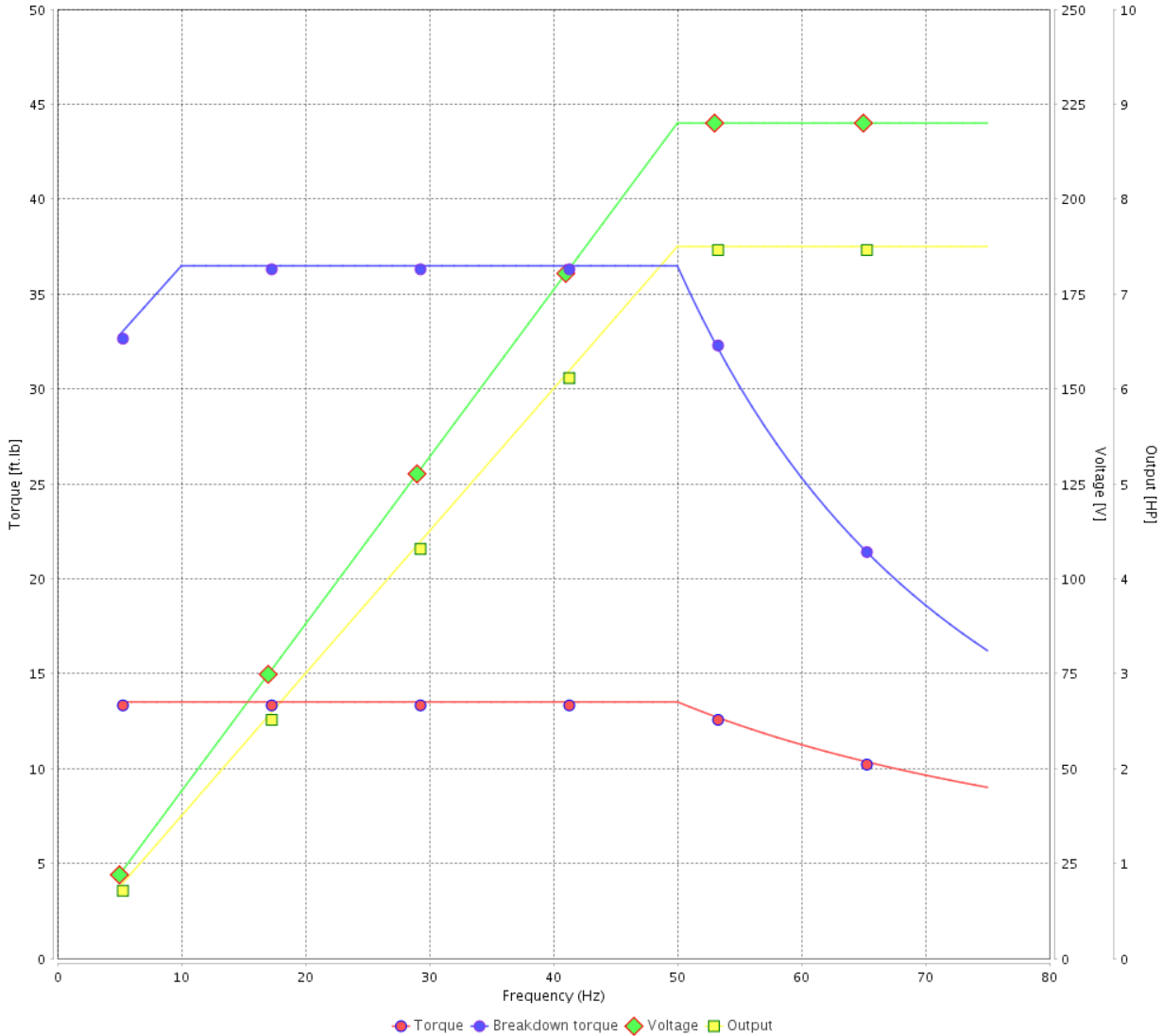
Customer :

Product line : JP Pump NEMA Premium Efficiency Three-Phase

Product code : 14329716

Catalog # : 00736ET3E213JP-SG

VFD OPERATION CURVE



Performance : 220/415 V 50 Hz 2P

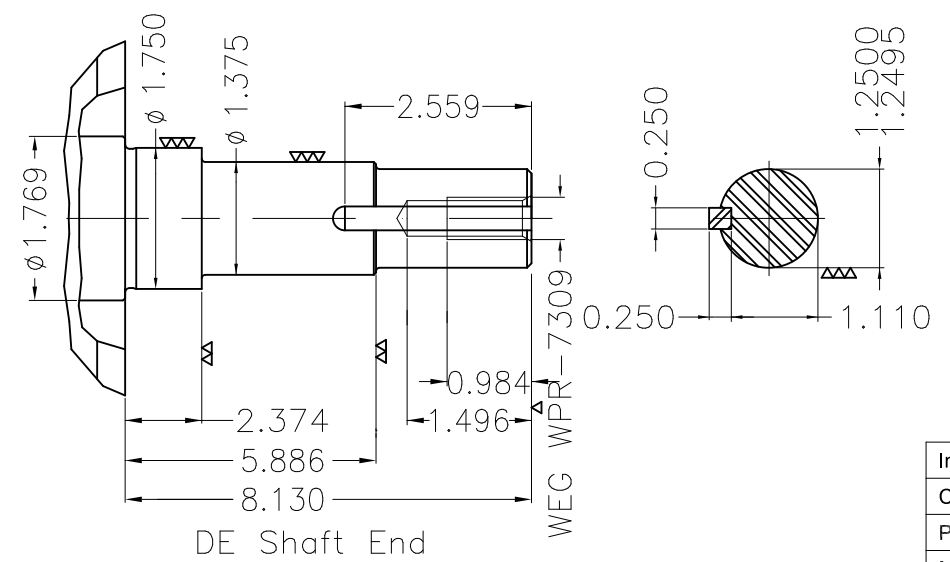
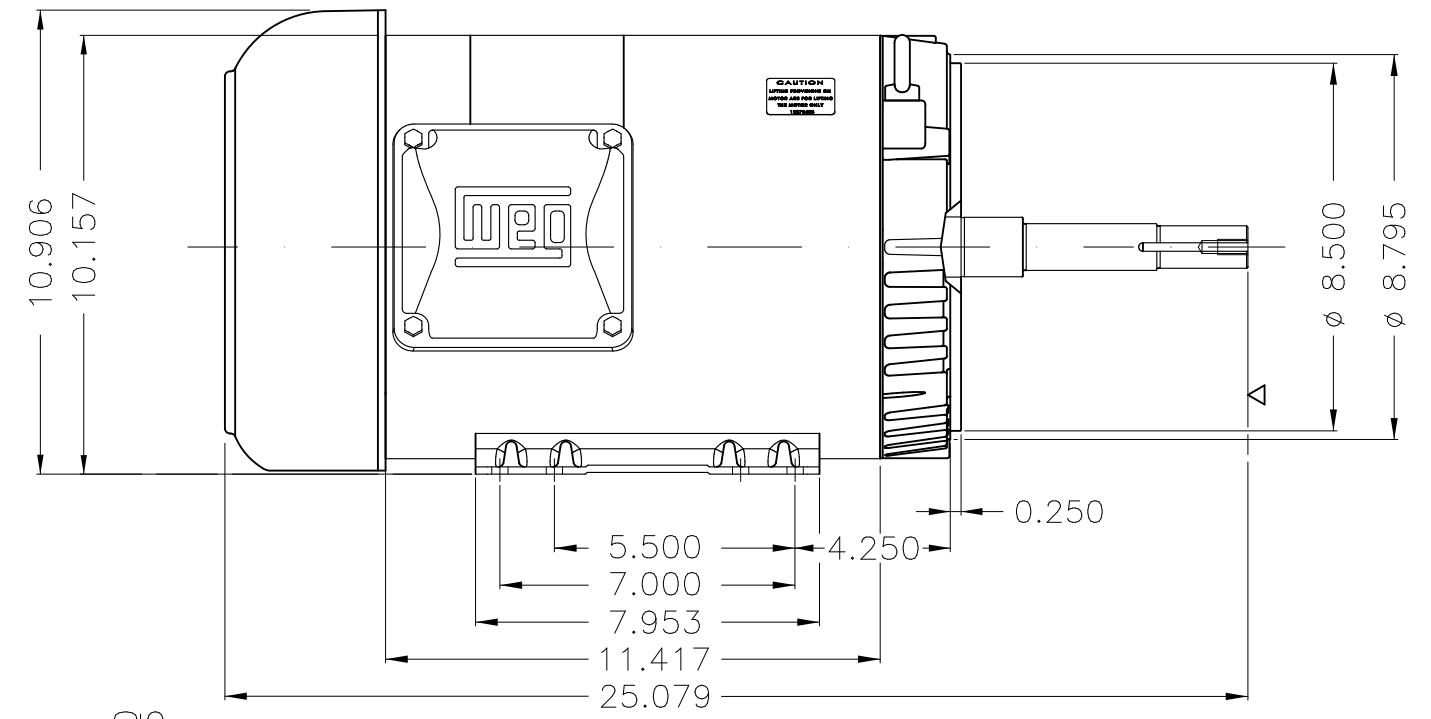
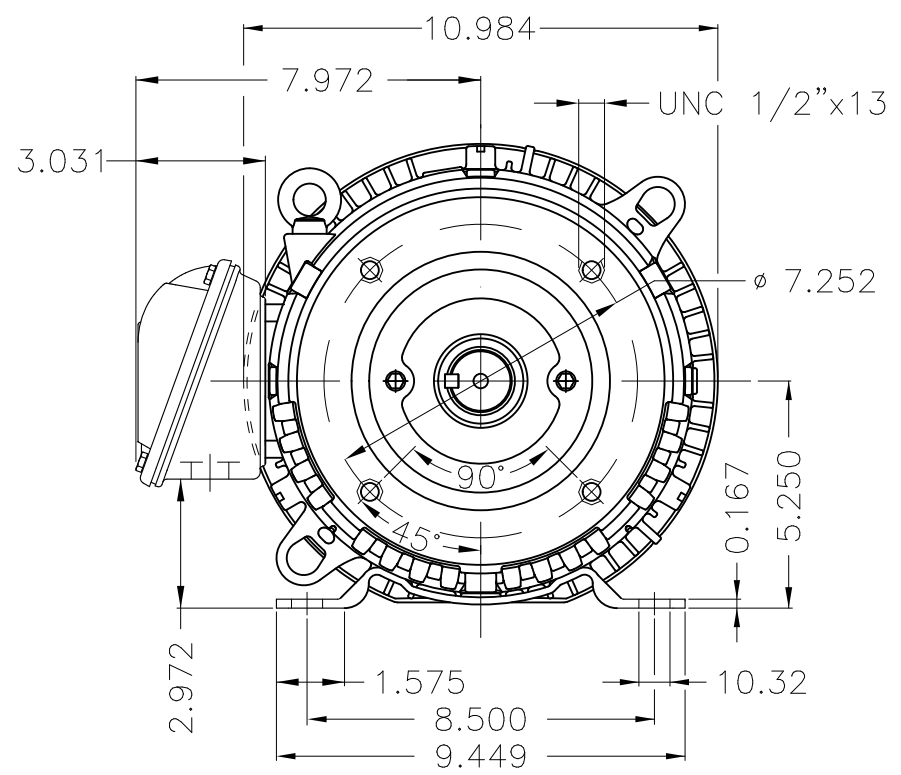
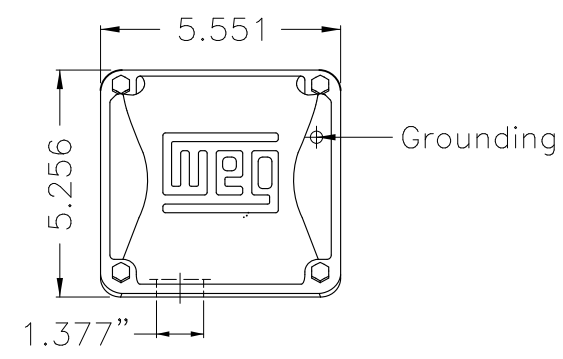
Rated current : 19.1/10.1 A
 LRC : 7.0
 Rated torque : 13.5 ft.lb
 Locked rotor torque : 220 %
 Breakdown torque : 270 %
 Rated speed : 2915 rpm

Moment of inertia (J) : 0.5496 sq.ft.lb
 Duty cycle : Cont.(S1)
 Insulation class : F
 Service factor : 1.00
 Temperature rise : 80 K
 Design : B

Rev.	Changes Summary	Performed	Checked	Date
Performed by			Page 16 / 16	Revision
Checked by				
Date	12/04/2022			

1 2 3 4 5 6

A
B
C
D
E



EUNC 1/2"-13 WEG WPR-7309

Internal AEGIS ground ring on the DE
 Color Munsell N 1 matte black
 Painting plan 207N
 Mounting F-1/B34R(D)

ECM	LOC	SUMMARY OF MODIFICATIONS	EXECUTED	CHECKED	RELEASED	DATE	VER
EXECUTED	PIRBUSER	THREE PH. MOTOR ROLLED STEEL CLOSE COUPLED PUMP JP 5/5 DE PREL ETX					
CHECKED		FRAME 213/5JP IP55 TEFC					
RELEASED							
REL DT.	WMO	Jaragua do Sul	Product Engineering	WDD			

7.5 HP 02 Poles 60 Hz

A SHEET 1 / 1





NEMA
Premium



MADE IN MEXICO

MAT: 14329716 CC029A

W01.TE0IC0X0N

MODEL 00736ET3E213JP-SG

11JAN2021 S/N:

PH 3	Hz 60	HP 7.5
FR 213/5.JP		KW 5.5
DUTY CONT.		V 230/460
ALT 1000 m.a.s.l.		A 17.3/8.67
INS CL F AT 80K	IP55	SFA 19.9/9.97
AMB 40°C	DES B	SF 1.15
ENCL TEFC	CODE H	PF 0.89
USABLE @ 208V 19.2A		RPM 3530
SF1.00		NEMA NOM. EFF 89.5%

ALTERNATE RATING: 7.5HP 50Hz 190-220/380-415V SF1.00
21.2-18.4/10.8-8.75A 2905RPM EFF 86.9% (IE1) IEC 60034-1

Inverter duty motor For 60Hz use on VPWM 1000:1 VT, 10:1 CT

DE 6209-ZZ	ODE 6206-ZZ	MOBIL POLYREX EM
-------------------	--------------------	-------------------------



T1-BLU T2-WHT
 T3-ORG T4-YEL
 T5-BLK T6-GRY
 T7-PNK T8-RED
 T9-BRK RED

INTERCHANGE ANY TWO LINE WIRES TO REVERSE THE ROTATION



WARNING: Motor must be grounded in accordance with local and national electrical codes to prevent serious electrical shocks. Disconnect power source before servicing unit.

AVERTISSEMENT: Le moteur doit être mis à la terre conformément aux codes électriques locaux et nationaux afin d'éviter tout choc électrique grave. Déconnectez l'alimentation avant l'entretien de la machine.

