

DATA SHEET



Three Phase Induction Motor - Squirrel Cage

Customer :				
Product line	: NEMA Premium Efficiency Three-Phase			
Product code :	14482705			
Catalog # :	00736ET3E213T-SRG			
Frame : 213/5T Output : 7.5 HP (5.5 kW) Poles : 2 Frequency : 60 Hz Rated voltage : 208-230/460 V Rated current : 19.4-17.5/8.76 A L. R. Amperes : 140-126/63.1 A LRC : 7.2x(Code H) No load current : 0.000-6.40/3.20 A Rated speed : 3515 rpm Slip : 2.36 % Rated torque : 11.2 ft.lb Locked rotor torque : 229 % Breakdown torque : 280 % Insulation class : F Service factor : 1.15 Design : B	Locked rotor time : 36s (cold) 20s (hot) Temperature rise : 80 K Duty cycle : Cont.(S1) Ambient temperature : -20°C to +40°C Altitude : 1000 m.a.s.l. Protection degree : IP55 Cooling method : IC411 - TEFC Mounting : F-1 Rotation ¹ : Both (CW and CCW) Noise level ² : 70.0 dB(A) Starting method : Direct On Line Approx. weight ³ : 115 lb			
Output	25% 50% 75% 100%			
Efficiency (%)	0.000 86.5 88.0 89.5			
Power Factor	0.00 0.74 0.83 0.88			
Foundation loads				
Max. traction	: 119 lb			
Max. compression	: 234 lb			
Bearing type	: <u>Drive end</u> 6208 ZZ <u>Non drive end</u> 6206 ZZ			
Sealing	: V'Ring Without Bearing Seal			
Lubrication interval	: 0 h 0 h			
Lubricant amount	: 0 g 0 g			
Lubricant type	: Mobil Polyrex EM			
Notes				
This revision replaces and cancel the previous one, which must be eliminated. (1) Looking the motor from the shaft end. (2) Measured at 1m and with tolerance of +3dB(A). (3) Approximate weight subject to changes after manufacturing process. (4) At 100% of full load.				
These are average values based on tests with sinusoidal power supply, subject to the tolerances stipulated in NEMA MG-1.				
Rev.	Changes Summary	Performed	Checked	Date
Performed by				
Checked by			Page	Revision
Date	12/04/2022		1 / 6	

TORQUE AND CURRENT VS SPEED CURVE

Three Phase Induction Motor - Squirrel Cage



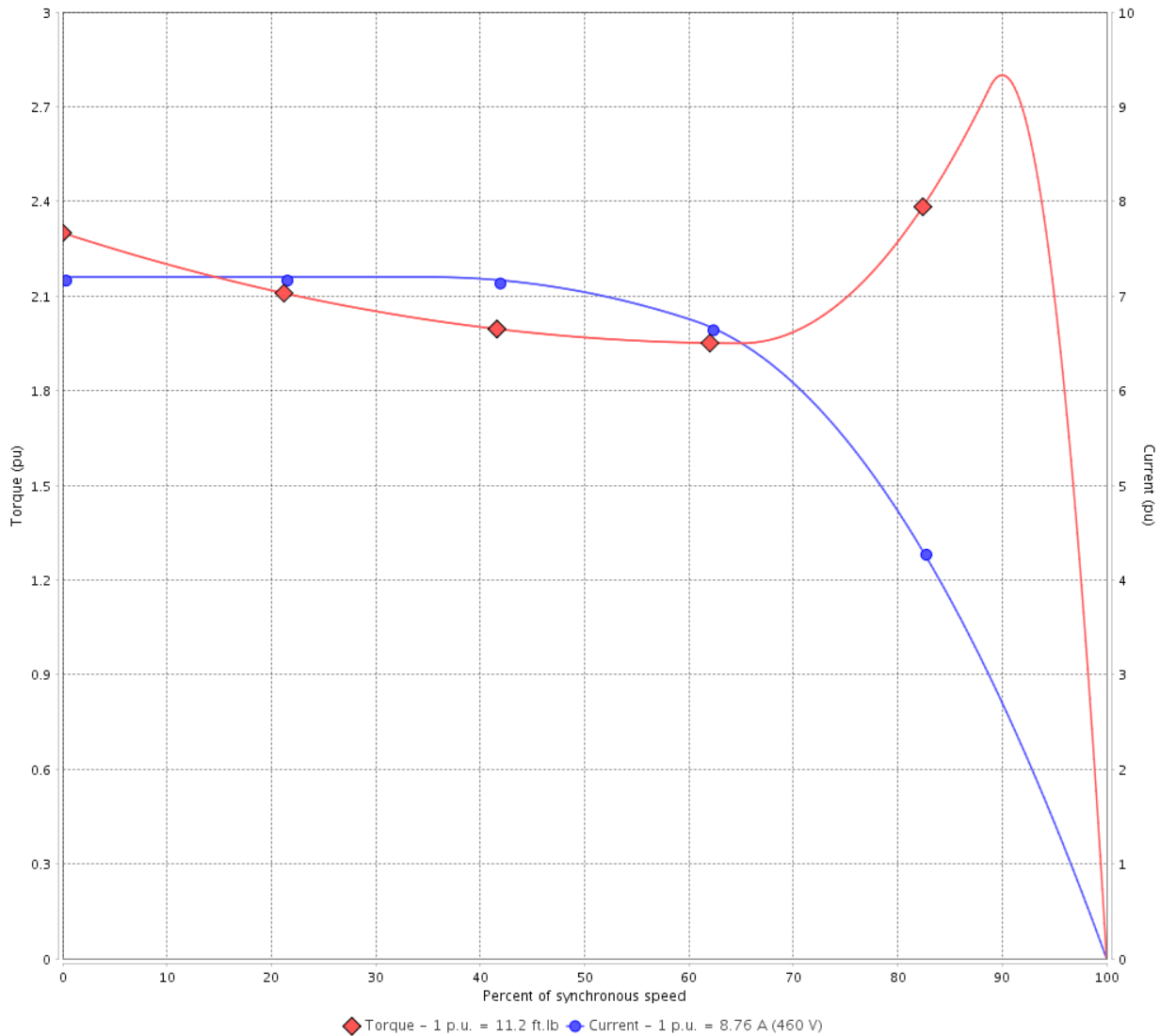
Customer :

Product line : NEMA Premium Efficiency Three-Phase

Product code : 14482705

Catalog # : 00736ET3E213T-SRG

TORQUE AND CURRENT VS SPEED CURVE



Performance : 208-230/460 V 60 Hz 2P

Rated current	: 19.4-17.5/8.76 A	Moment of inertia (J)	
LRC	: 7.2	Duty cycle	: Cont.(S1)
Rated torque	: 11.2 ft.lb	Insulation class	: F
Locked rotor torque	: 229 %	Service factor	: 1.15
Breakdown torque	: 280 %	Temperature rise	: 80 K
Rated speed	: 3515 rpm	Design	: B

Locked rotor time : 36s (cold) 20s (hot)

Rev.	Changes Summary	Performed	Checked	Date
Performed by			Page 2 / 6	Revision
Checked by				
Date	12/04/2022			

LOAD PERFORMANCE CURVE

Three Phase Induction Motor - Squirrel Cage

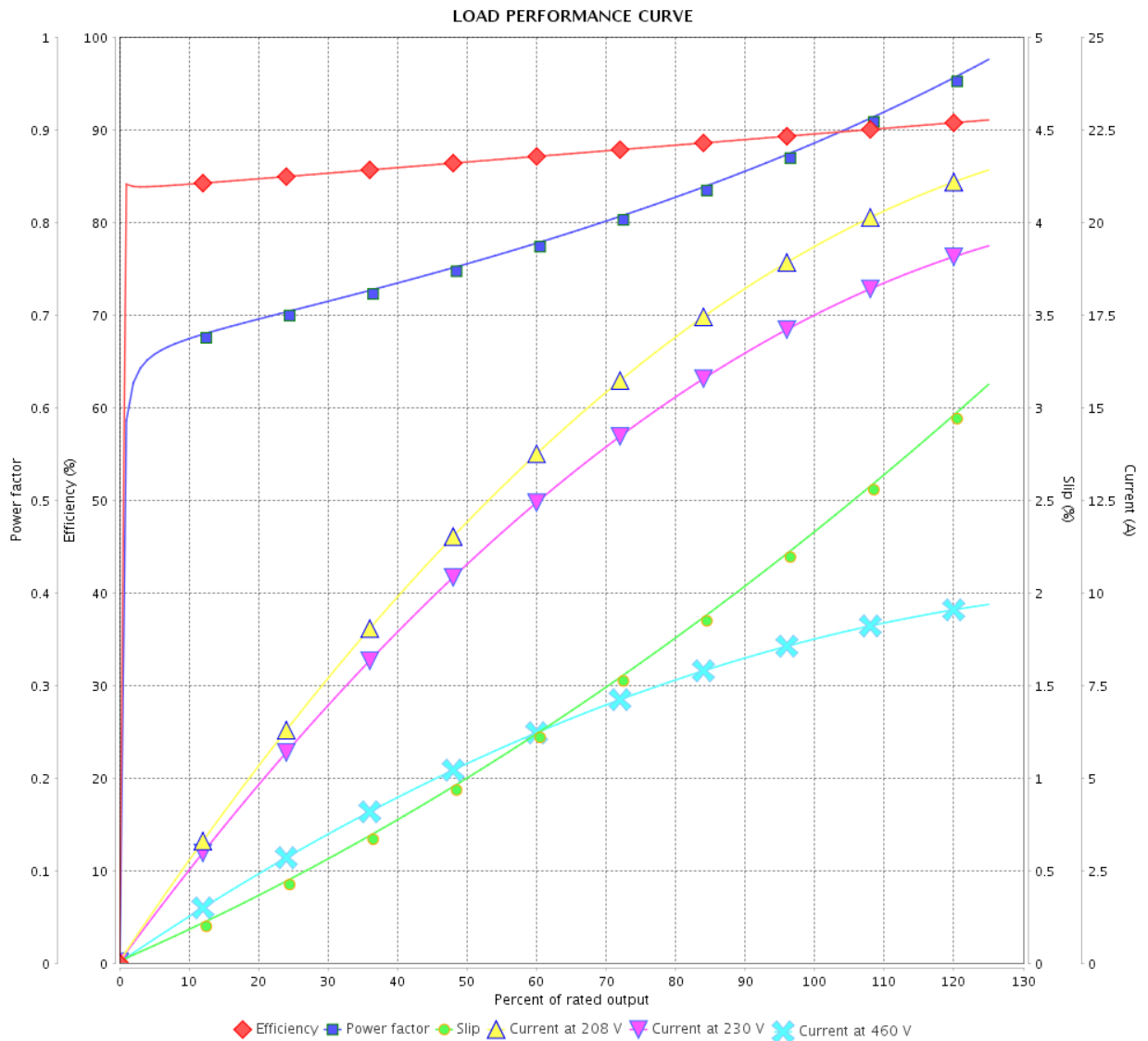


Customer :

Product line : NEMA Premium Efficiency Three-Phase

Product code : 14482705

Catalog # : 00736ET3E213T-SRG



Performance : 208-230/460 V 60 Hz 2P

Rated current : 19.4-17.5/8.76 A
 LRC : 7.2
 Rated torque : 11.2 ft.lb
 Locked rotor torque : 229 %
 Breakdown torque : 280 %
 Rated speed : 3515 rpm

Moment of inertia (J)
 Duty cycle : Cont.(S1)
 Insulation class : F
 Service factor : 1.15
 Temperature rise : 80 K
 Design : B

Rev.	Changes Summary	Performed	Checked	Date
Performed by		Page		Revision
Checked by		3 / 6		
Date		12/04/2022		

THERMAL LIMIT CURVE

Three Phase Induction Motor - Squirrel Cage



Customer :

Product line : NEMA Premium Efficiency Three-Phase
Product code : 14482705
Catalog # : 00736ET3E213T-SRG

Performance : 208-230/460 V 60 Hz 2P

Rated current : 19.4-17.5/8.76 A	Moment of inertia (J)
LRC : 7.2	Duty cycle : Cont.(S1)
Rated torque : 11.2 ft.lb	Insulation class : F
Locked rotor torque : 229 %	Service factor : 1.15
Breakdown torque : 280 %	Temperature rise : 80 K
Rated speed : 3515 rpm	Design : B

Heating constant

Cooling constant

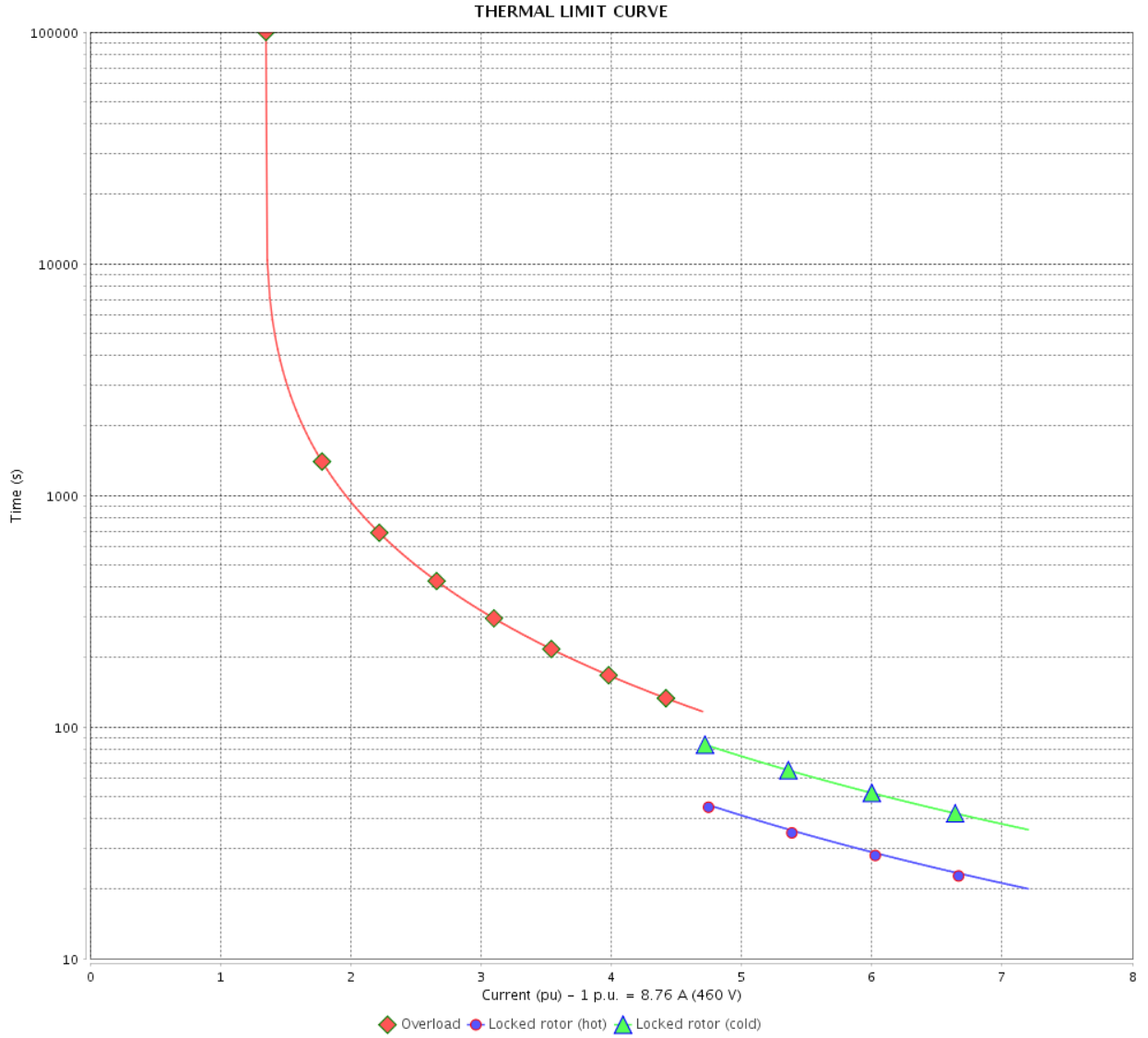
Rev.	Changes Summary	Performed	Checked	Date
Performed by				
Checked by			Page	Revision
Date	12/04/2022		4 / 6	

THERMAL LIMIT CURVE

Three Phase Induction Motor - Squirrel Cage



Customer : _____



Rev.	Changes Summary	Performed	Checked	Date
Performed by		Page		Revision
Checked by				
Date				

VFD OPERATION CURVE

Three Phase Induction Motor - Squirrel Cage

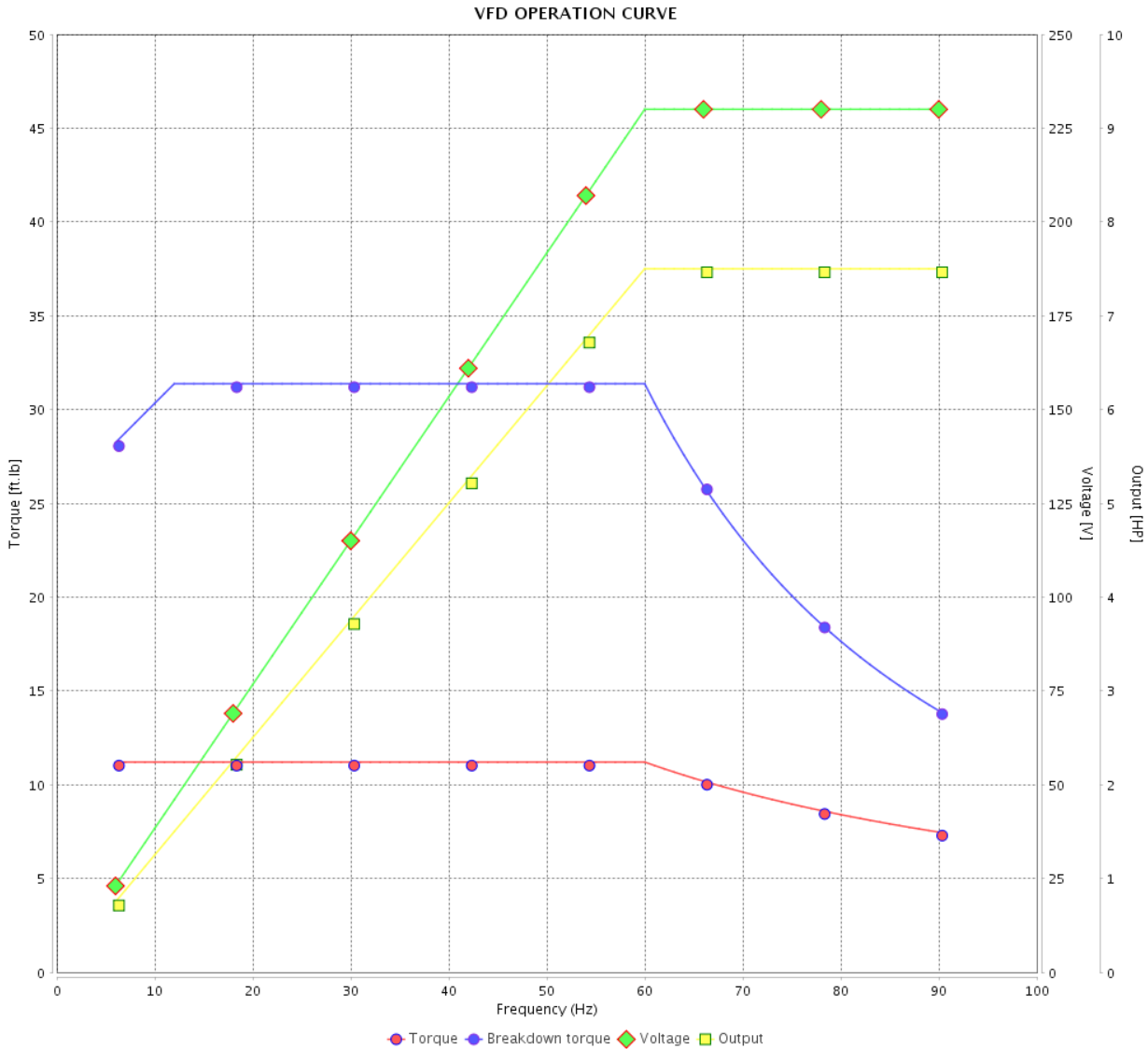


Customer : _____

Product line : NEMA Premium Efficiency Three-Phase

Product code : 14482705

Catalog # : 00736ET3E213T-SRG



Performance : 208-230/460 V 60 Hz 2P

Rated current : 19.4-17.5/8.76 A
 LRC : 7.2
 Rated torque : 11.2 ft.lb
 Locked rotor torque : 229 %
 Breakdown torque : 280 %
 Rated speed : 3515 rpm

Moment of inertia (J)
 Duty cycle : Cont.(S1)
 Insulation class : F
 Service factor : 1.15
 Temperature rise : 80 K
 Design : B

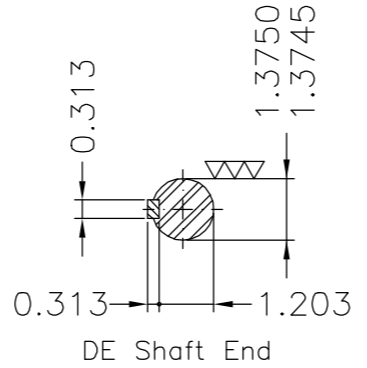
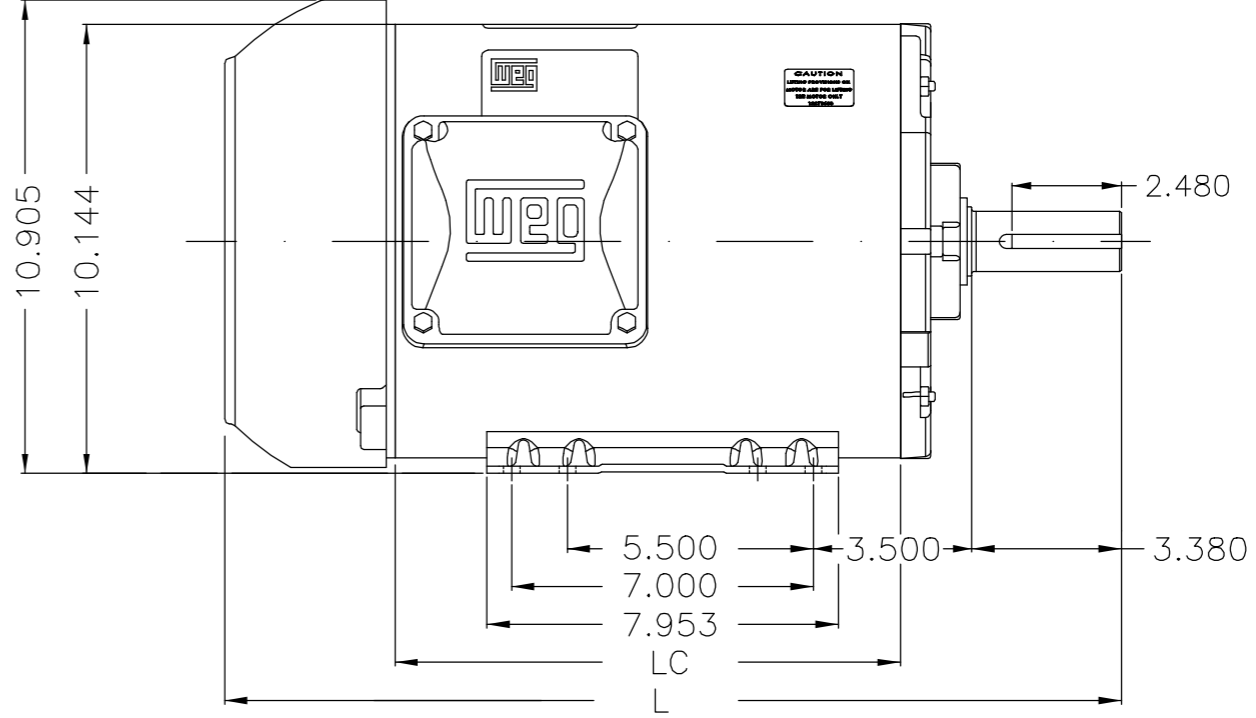
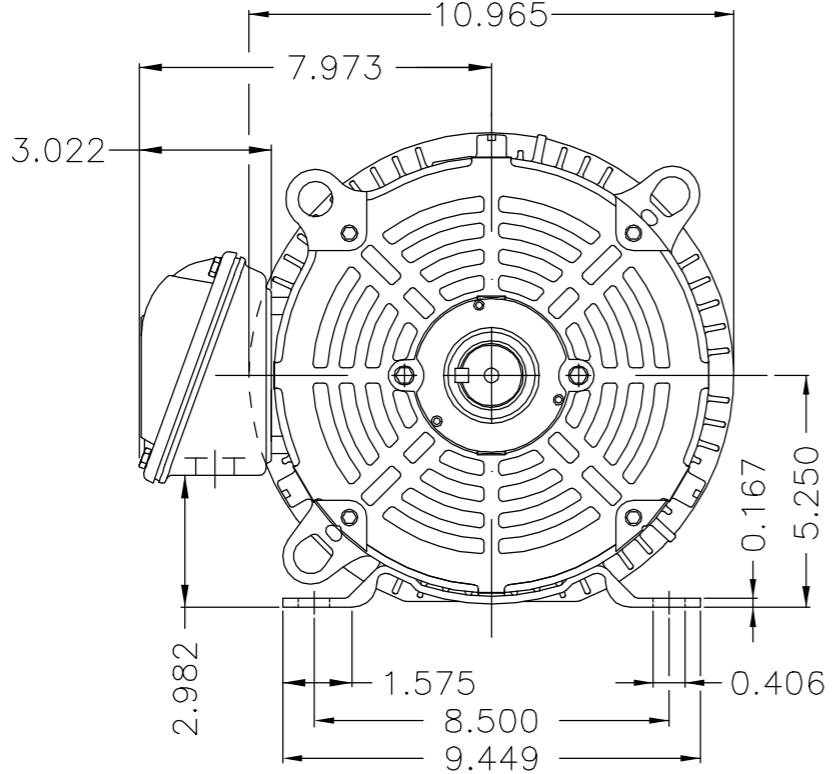
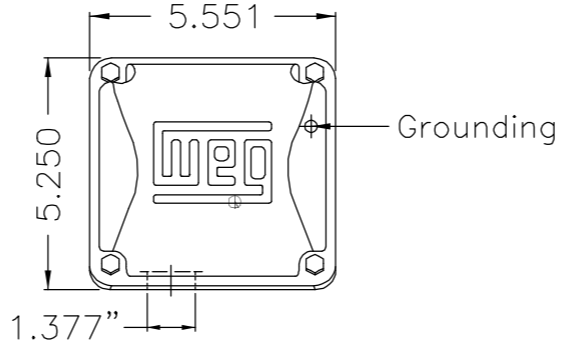
Rev.	Changes Summary	Performed	Checked	Date
Performed by			Page 6 / 6	Revision
Checked by				
Date	12/04/2022			

EJE/SHAFT	
ESTÁNDAR/STANDARD	X
OPCIONAL/OPTIONAL	
ESPECIAL/SPECIAL	

Dimensões em polegada
Dimensions in inches

PRELIMINARY DOCUMENT
Not to be used for installation purposes.

THIS IS AN UPDATED REVISION, THE PREVIOUS ONE MUST BE DISREGARDED.



Kit escoba de puesta a tierra AEGIS interno en la tapa delantera /
Brush holder Kit AEGIS internal DE
Anillo fijación del rodamiento / Bearing cap
Color Munsell N 1 negro mate / Color Munsell N 1 matte black
Plan de pintura 207N / Painting plan 207N
Forma constructiva B3D / Mounting F-1/B3R(D)

WEG ELECTRIC CORPORATION - WEC

500001466837	NEW DOCUMENT	CESTRELLA	CMARQUEZ	CMARQUEZ	19.06.2018	00	
ECM	LOC	SUMMARY OF MODIFICATIONS	EXECUTED	CHECKED	RELEASED	DATE	VER

EXECUTED	CESTRELLA		THREE P. MOTOR CLOS ROLLED STEEL NEMA PR	10005840907 000 00	
CHECKED	CMARQUEZ		FRAME 213/5T IP55 TEFC		
RELEASED	CMARQUEZ				
REL DT	19.06.2018	WMX	Huehuetoca	Product Engineering	SHEET 01 / 01

					LC	L	
10	HP	02 Poles	60Hz	415095546	10.630	19.291	B
7.5	HP	02 Poles	60Hz	415095545	10.236	18.897	A

WEG
NEMA
Premium3PT9
C US LISTED

Energy Verified

MADE IN MEXICO

MAT: 14482705 CC029A

W01.TE0IC0X0N

MODEL 00736ET3E213T-SRG

19SET2019 S/N:

PH 3 FR 213/5T HP(KW) 7.5(5.5) Hz 60

V 230/460 RPM 3515

A 17.5/8.76 DUTY CONT.

SFA 20.1/10.1 CODE H DES B IP55

SF 1.15 INS CL F AT 80K AMB 40°C ENCL TEFC

PF 0.88 NEMA NOM.EFF. 89.5%

ALT 1000 m.a.s.l. USABLE @ 208V 19.4A SF1.00

ALTERNATE RATING:



DE: 6208-ZZ ODE: 6206-ZZ MOBIL POLYREX EM

WARNING: Motor must be grounded in accordance with local and national electrical codes to prevent serious electrical shocks. Disconnect power source before servicing unit.

AVERTISSEMENT: Le moteur doit être mis à la terre conformément aux codes électriques locaux et nationaux afin d'éviter tout choc électrique grave. Déconnectez l'alimentation avant l'entretien de la machine.

