

TORQUE AND CURRENT VS SPEED CURVE

Three Phase Induction Motor - Squirrel Cage



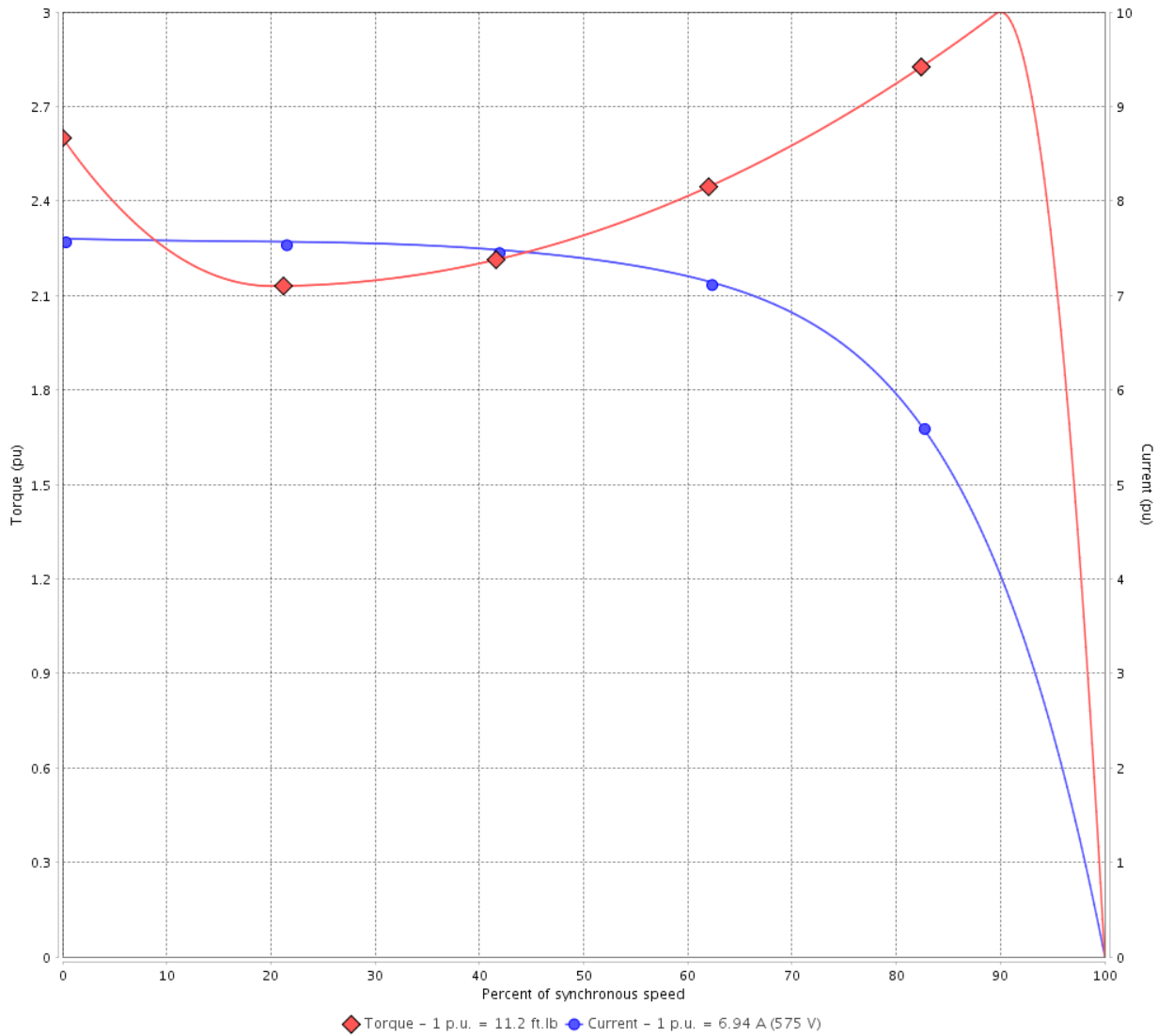
Customer :

Product line : JM Pump NEMA Premium Efficiency Three-Phase

Product code : 13373885

Catalog # : 00736ET3H213JM-S

TORQUE AND CURRENT VS SPEED CURVE



Performance : 575 V 60 Hz 2P

Rated current	: 6.94 A	Moment of inertia (J)	: 0.5496 sq.ft.lb
LRC	: 7.6	Duty cycle	: Cont.(S1)
Rated torque	: 11.2 ft.lb	Insulation class	: F
Locked rotor torque	: 260 %	Service factor	: 1.15
Breakdown torque	: 300 %	Temperature rise	: 80 K
Rated speed	: 3530 rpm	Design	: B

Locked rotor time : 27s (cold) 15s (hot)

Rev.	Changes Summary	Performed	Checked	Date
Performed by			Page 2 / 6	Revision
Checked by				
Date	12/04/2022			

LOAD PERFORMANCE CURVE

Three Phase Induction Motor - Squirrel Cage

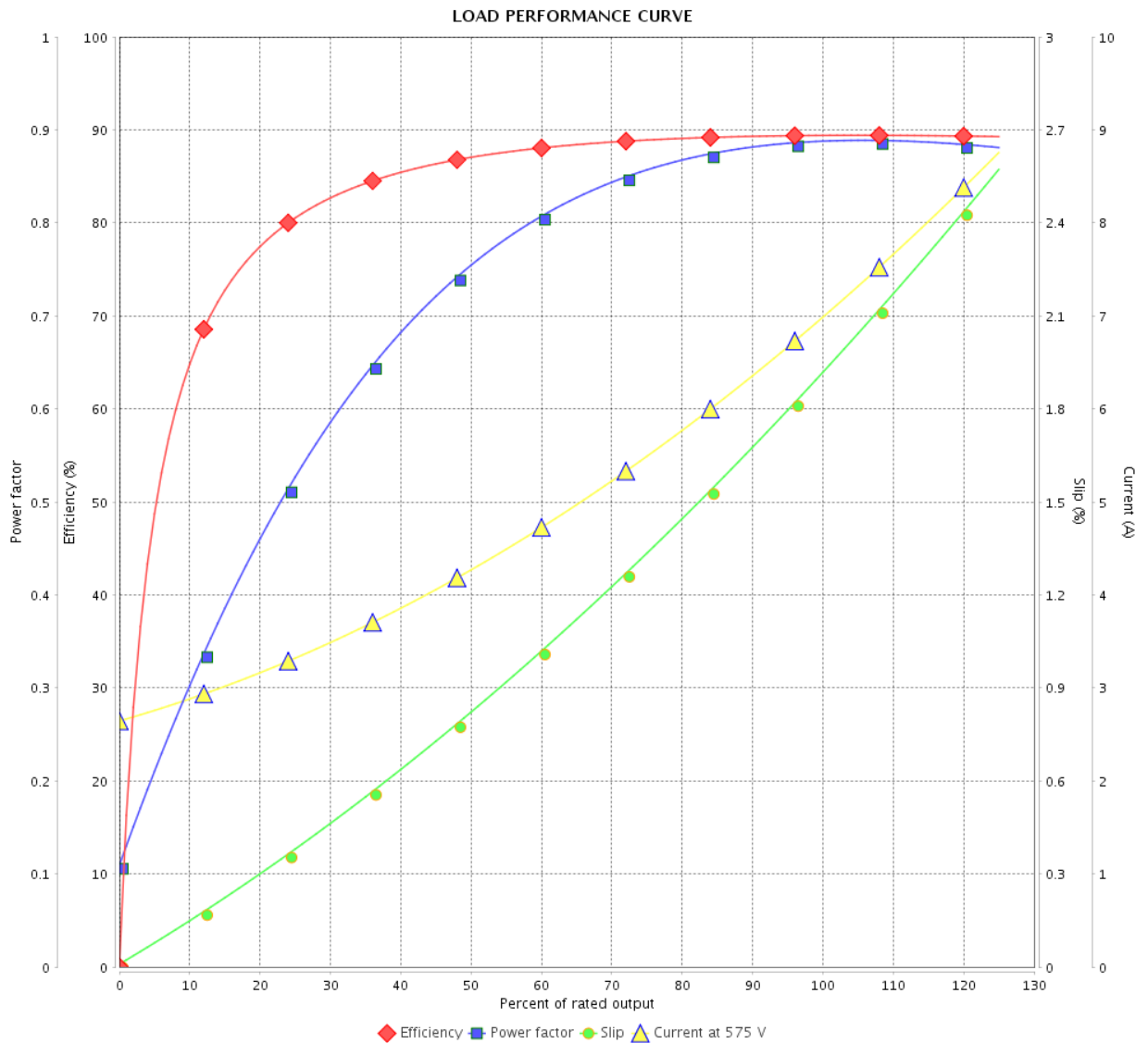


Customer :

Product line : JM Pump NEMA Premium
Efficiency Three-Phase

Product code : 13373885

Catalog # : 00736ET3H213JM-S



Performance : 575 V 60 Hz 2P

Rated current : 6.94 A
 LRC : 7.6
 Rated torque : 11.2 ft.lb
 Locked rotor torque : 260 %
 Breakdown torque : 300 %
 Rated speed : 3530 rpm

Moment of inertia (J) : 0.5496 sq.ft.lb
 Duty cycle : Cont.(S1)
 Insulation class : F
 Service factor : 1.15
 Temperature rise : 80 K
 Design : B

Rev.	Changes Summary	Performed	Checked	Date
Performed by			Page	Revision
Checked by			3 / 6	
Date	12/04/2022			

THERMAL LIMIT CURVE



Three Phase Induction Motor - Squirrel Cage

Customer :

Product line : JM Pump NEMA Premium
Efficiency Three-Phase

Product code : 13373885

Catalog # : 00736ET3H213JM-S

Performance : 575 V 60 Hz 2P

Rated current : 6.94 A
LRC : 7.6
Rated torque : 11.2 ft.lb
Locked rotor torque : 260 %
Breakdown torque : 300 %
Rated speed : 3530 rpm

Moment of inertia (J) : 0.5496 sq.ft.lb
Duty cycle : Cont.(S1)
Insulation class : F
Service factor : 1.15
Temperature rise : 80 K
Design : B

Heating constant

Cooling constant

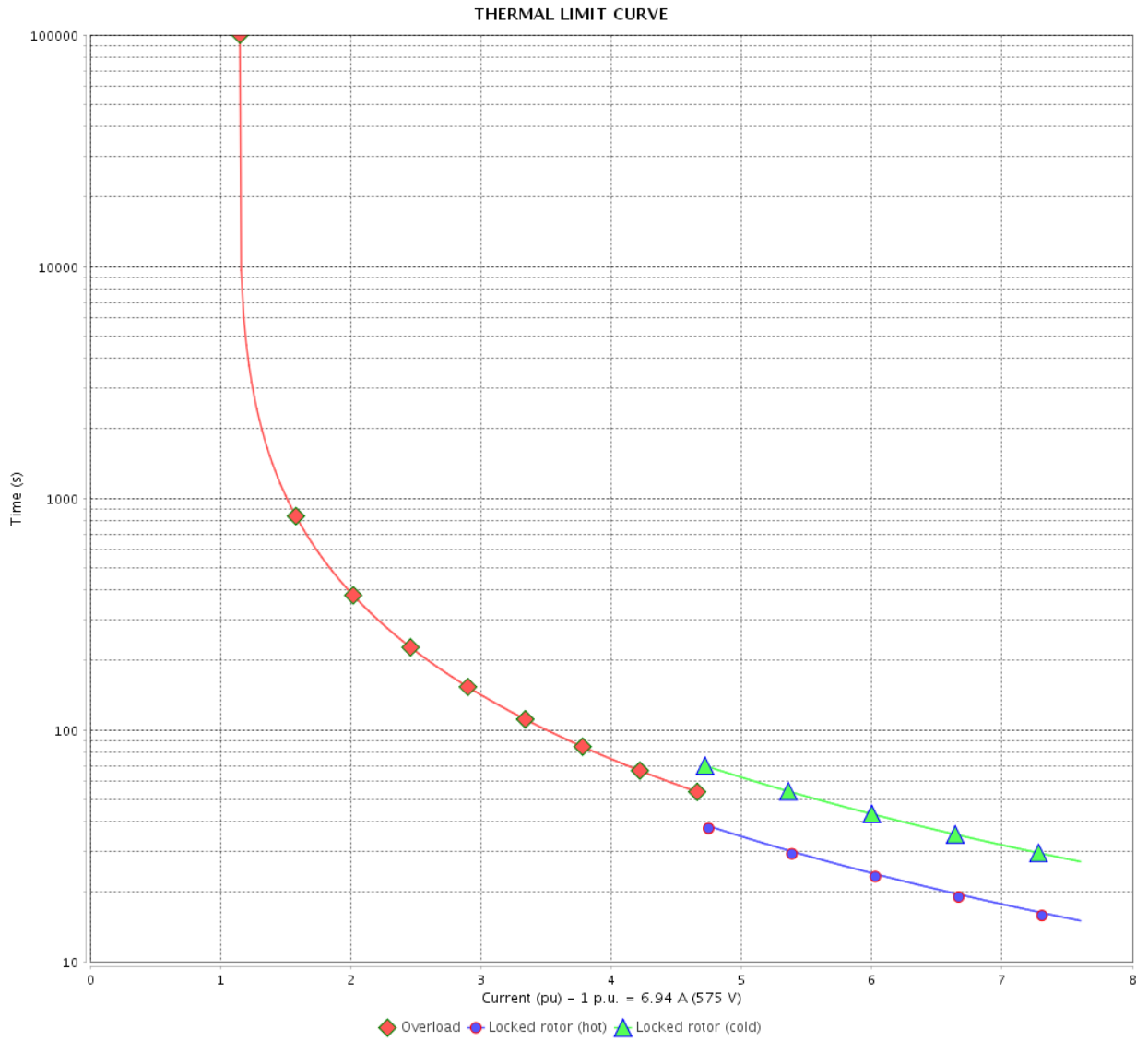
Rev.	Changes Summary	Performed	Checked	Date
Performed by				
Checked by			Page	Revision
Date	12/04/2022		4 / 6	

THERMAL LIMIT CURVE

Three Phase Induction Motor - Squirrel Cage



Customer : _____



Rev.	Changes Summary	Performed	Checked	Date
Performed by		Page 5 / 6		Revision
Checked by				
Date				

VFD OPERATION CURVE

Three Phase Induction Motor - Squirrel Cage



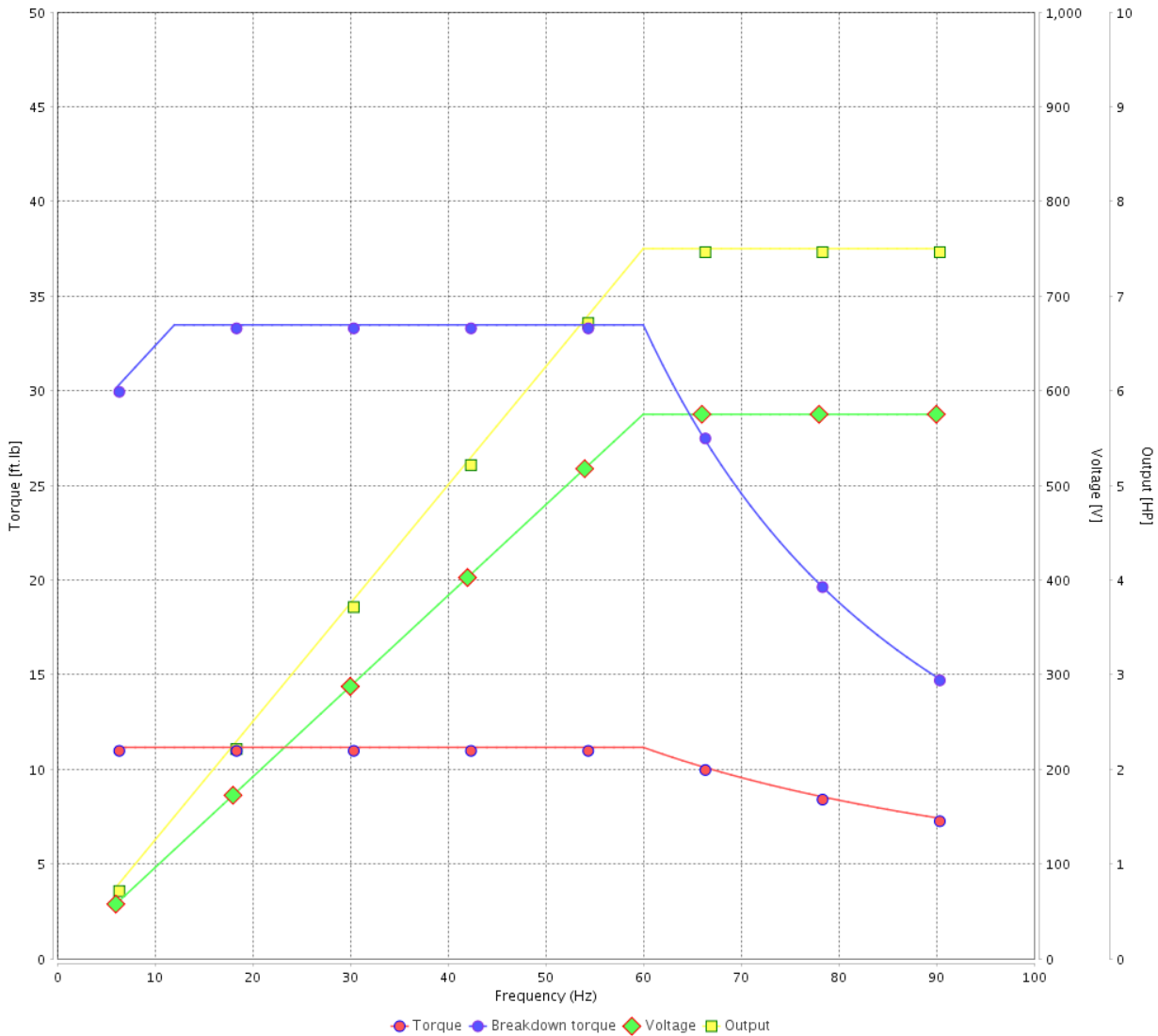
Customer : _____

Product line : JM Pump NEMA Premium Efficiency Three-Phase

Product code : 13373885

Catalog # : 00736ET3H213JM-S

VFD OPERATION CURVE



Performance : 575 V 60 Hz 2P

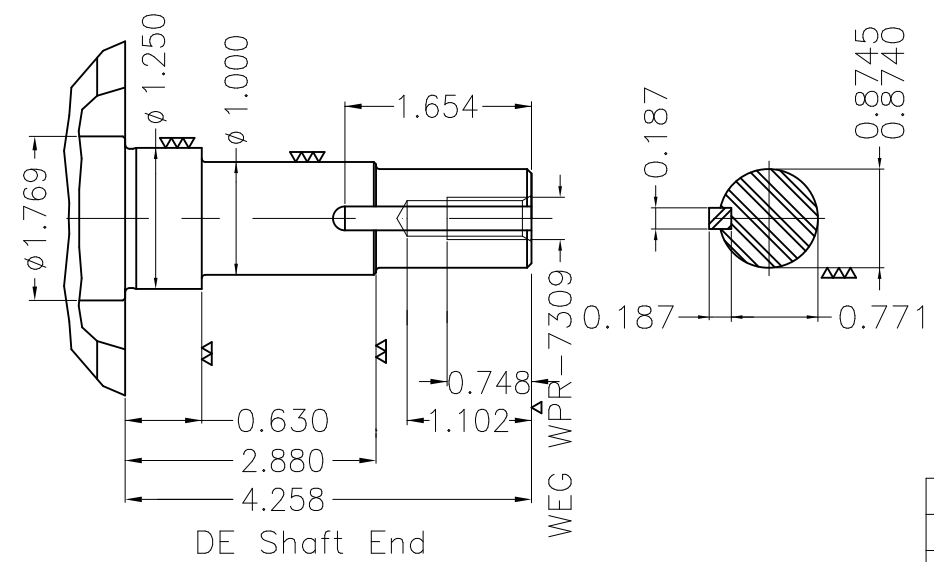
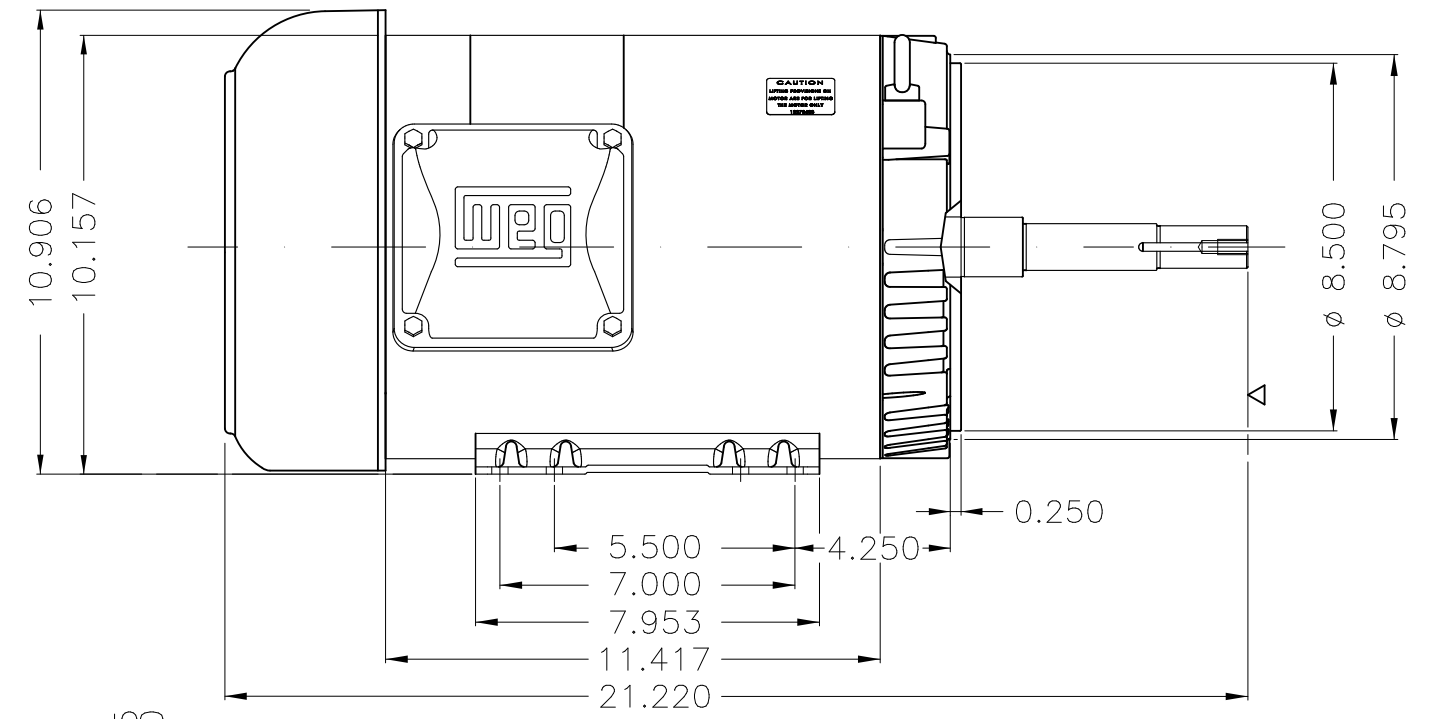
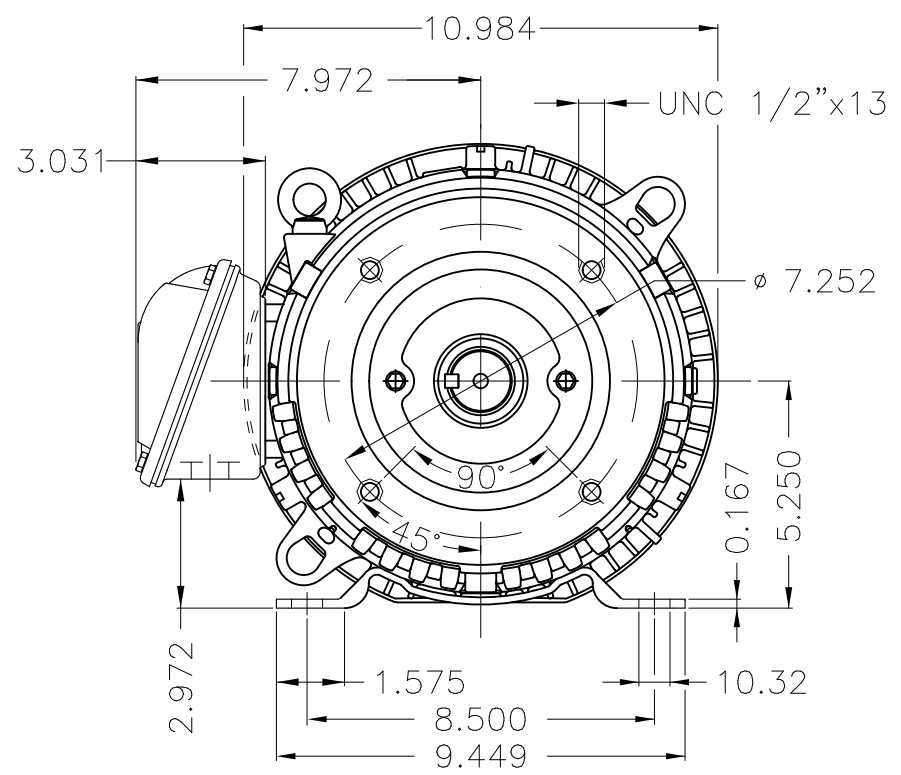
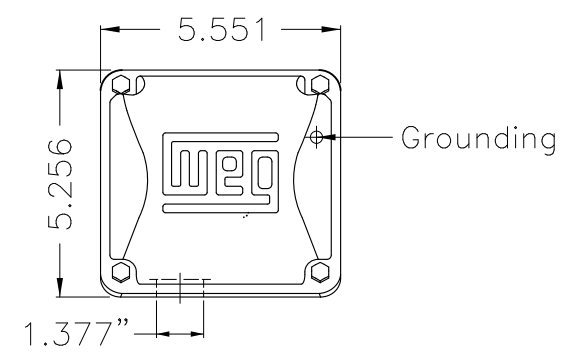
Rated current : 6.94 A
 LRC : 7.6
 Rated torque : 11.2 ft.lb
 Locked rotor torque : 260 %
 Breakdown torque : 300 %
 Rated speed : 3530 rpm

Moment of inertia (J) : 0.5496 sq.ft.lb
 Duty cycle : Cont.(S1)
 Insulation class : F
 Service factor : 1.15
 Temperature rise : 80 K
 Design : B

Rev.	Changes Summary	Performed	Checked	Date
Performed by			Page 6 / 6	Revision
Checked by				
Date	12/04/2022			

1 2 3 4 5 6

A
B
C
D
E



EUNC 3/8" - 16 WEG WPR-7309

Color Munsell N 1 matte black									
Painting plan 207N									
Mounting F-1/B34R(D)									
ECM	LOC	SUMMARY OF MODIFICATIONS			EXECUTED	CHECKED	RELEASED	DATE	VER
EXECUTED	PIRWBUSER	THREE PH. MOTOR ROLLED STEEL CLOSE COUPLED PUMP JN TYPE PSE 107							
CHECKED		FRAME 213/5JM IP55 TEFC							
RELEASED									
REL DT.		WMO	Jaragua do Sul	Product Engineering	SHEET	1 / 1			

7.5 HP 02 Poles 60 Hz

Dimensions in inches XME A3



NEMA
Premium



MADE IN MEXICO

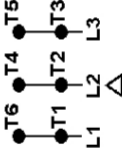
MAT: 13373885 CC029A
W01.TE0IC0X0N
JM007502NPW01
15FEB2022 S/N:

For 60Hz: Class I, Zone 2, IIC
Class I, Div.2, Gr. A,B,C,D - T3
Div 2 Inverter Duty (SF1.00)
CT 2:1/VT 1000:1

PH 3	Hz 60	HP 7.5
FR 213/5JM		KW 5.5
DUTY CONT.		V 575
ALT 1000 m.a.s.l.		A 6.94
INS CL F AT 80K	IP55	SFA 7.98
AMB 40°C	DES B	SF 1.15
ENCL TEFC	CODE H	PF 0.89
		RPM 3530
		NEMA NOM. EFF 89.5%

For safe area-inverter duty motor For use on VPWM 1000:1 VT, 10:1 CT

DE 6209-ZZ ODE 6206-ZZ MOBIL POLYREX EM



T1-BLU
T2-WHT
T3-ORG
T4-YEL
T5-BLK
T6-GRY

INTERCHANGE ANY TWO LINE WIRES TO REVERSE THE ROTATION

WARNING: Motor must be grounded in accordance with local and national electrical codes to prevent serious electrical shocks. Disconnect power source before servicing unit.



AVERTISSEMENT: Le moteur doit être mis à la terre

conformément aux codes électriques locaux et nationaux afin d'éviter tout choc électrique grave. Déconnectez l'alimentation avant l'entretien de la machine.

