

# DATA SHEET



## Three Phase Induction Motor - Squirrel Cage

Customer :

Product line : JM Pump NEMA Premium Efficiency Three-Phase      Product code : 14358631  
 Catalog # : 00736ET3H213JM-SG

Frame	: 213/5JM	Locked rotor time	: 27s (cold) 15s (hot)
Output	: 7.5 HP (5.5 kW)	Temperature rise	: 80 K
Poles	: 2	Duty cycle	: Cont.(S1)
Frequency	: 60 Hz	Ambient temperature	: -20°C to +40°C
Rated voltage	: 575 V	Altitude	: 1000 m.a.s.l.
Rated current	: 6.94 A	Protection degree	: IP55
L. R. Amperes	: 52.7 A	Cooling method	: IC411 - TEFC
LRC	: 7.6x(Code H)	Mounting	: F-1
No load current	: 2.65 A	Rotation <sup>1</sup>	: Both (CW and CCW)
Rated speed	: 3530 rpm	Noise level <sup>2</sup>	: 70.0 dB(A)
Slip	: 1.94 %	Starting method	: Direct On Line
Rated torque	: 11.2 ft.lb	Approx. weight <sup>3</sup>	: 142 lb
Locked rotor torque	: 260 %		
Breakdown torque	: 300 %		
Insulation class	: F		
Service factor	: 1.15		
Moment of inertia (J)	: 0.5496 sq.ft.lb		
Design	: B		

Output	25%	50%	75%	100%	Foundation loads	
Efficiency (%)	86.4	87.5	88.5	89.5	Max. traction	: 117 lb
Power Factor	0.49	0.76	0.85	0.89	Max. compression	: 260 lb

	<u>Drive end</u>	<u>Non drive end</u>
Bearing type	: 6209 ZZ	6206 ZZ
Sealing	: V'Ring	Without Bearing Seal
Lubrication interval	: -	-
Lubricant amount	: -	-
Lubricant type	: Mobil Polyrex EM	

Notes

This revision replaces and cancel the previous one, which must be eliminated.  
 (1) Looking the motor from the shaft end.  
 (2) Measured at 1m and with tolerance of +3dB(A).  
 (3) Approximate weight subject to changes after manufacturing process.  
 (4) At 100% of full load.

These are average values based on tests with sinusoidal power supply, subject to the tolerances stipulated in NEMA MG-1.

Rev.	Changes Summary	Performed	Checked	Date
Performed by		Page 1 / 6		Revision
Checked by				
Date	12/04/2022			

# TORQUE AND CURRENT VS SPEED CURVE

Three Phase Induction Motor - Squirrel Cage



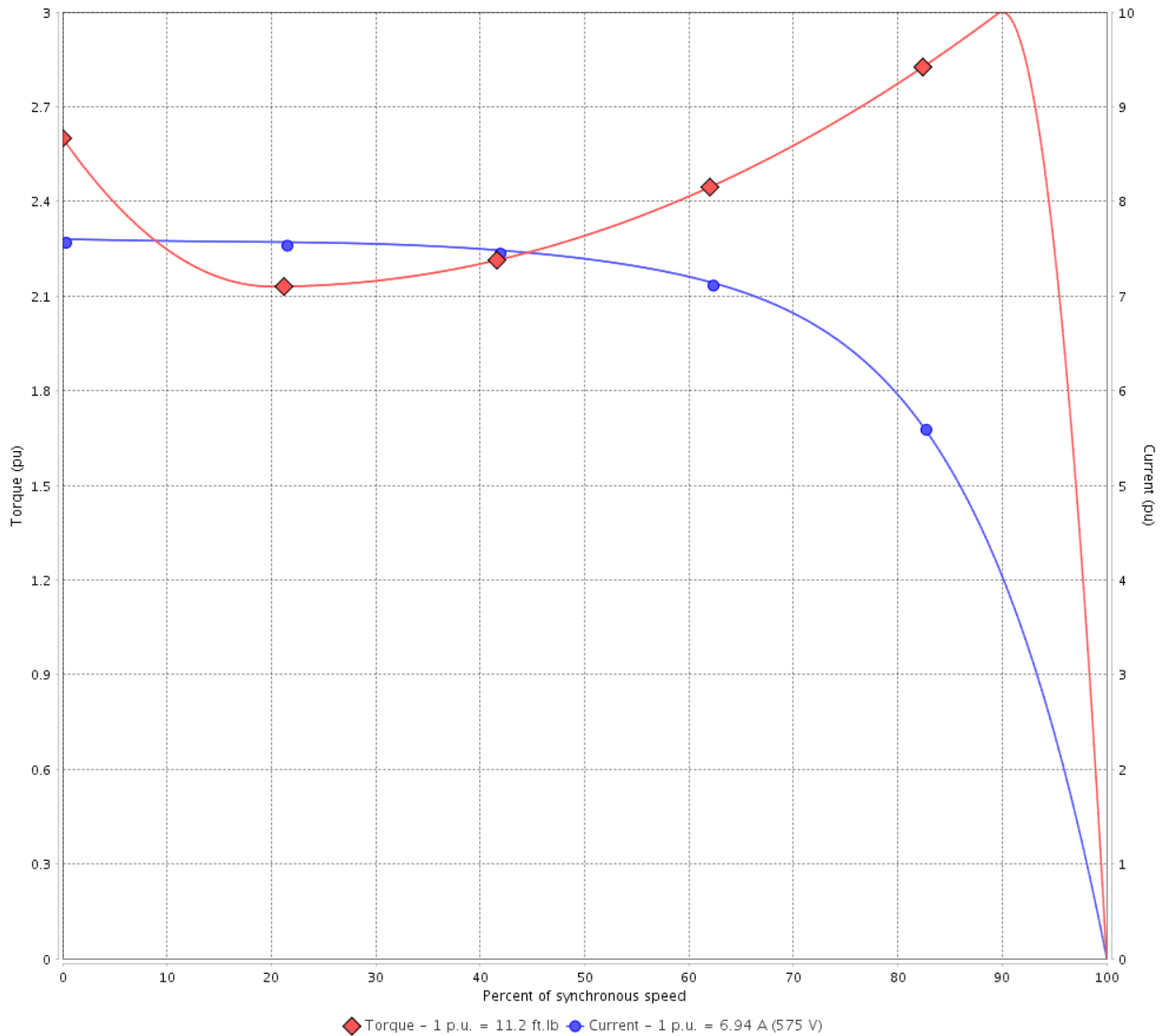
Customer :

Product line : JM Pump NEMA Premium Efficiency Three-Phase

Product code : 14358631

Catalog # : 00736ET3H213JM-SG

TORQUE AND CURRENT VS SPEED CURVE



Performance : 575 V 60 Hz 2P

Rated current	: 6.94 A	Moment of inertia (J)	: 0.5496 sq.ft.lb
LRC	: 7.6	Duty cycle	: Cont.(S1)
Rated torque	: 11.2 ft.lb	Insulation class	: F
Locked rotor torque	: 260 %	Service factor	: 1.15
Breakdown torque	: 300 %	Temperature rise	: 80 K
Rated speed	: 3530 rpm	Design	: B

Locked rotor time : 27s (cold) 15s (hot)

Rev.	Changes Summary	Performed	Checked	Date
Performed by			Page 2 / 6	Revision
Checked by				
Date	12/04/2022			

# LOAD PERFORMANCE CURVE

## Three Phase Induction Motor - Squirrel Cage

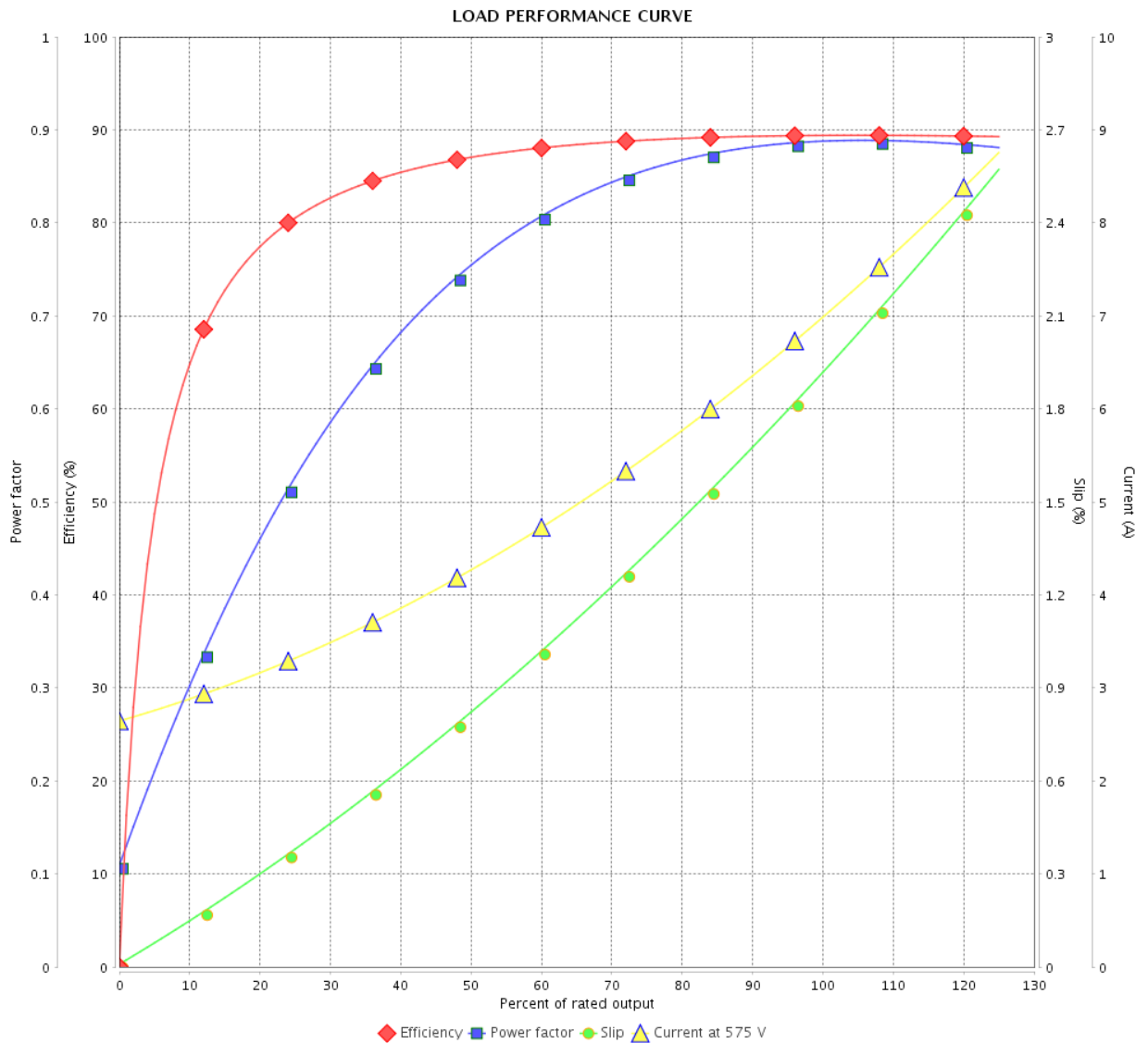


Customer : \_\_\_\_\_

Product line : JM Pump NEMA Premium  
Efficiency Three-Phase

Product code : 14358631

Catalog # : 00736ET3H213JM-SG



Performance : 575 V 60 Hz 2P

Rated current : 6.94 A  
 LRC : 7.6  
 Rated torque : 11.2 ft.lb  
 Locked rotor torque : 260 %  
 Breakdown torque : 300 %  
 Rated speed : 3530 rpm

Moment of inertia (J) : 0.5496 sq.ft.lb  
 Duty cycle : Cont.(S1)  
 Insulation class : F  
 Service factor : 1.15  
 Temperature rise : 80 K  
 Design : B

Rev.	Changes Summary	Performed	Checked	Date
Performed by		Page		Revision
Checked by		3 / 6		
Date	12/04/2022			

# THERMAL LIMIT CURVE



## Three Phase Induction Motor - Squirrel Cage

Customer :

Product line : JM Pump NEMA Premium  
Efficiency Three-Phase

Product code : 14358631

Catalog # : 00736ET3H213JM-SG

Performance : 575 V 60 Hz 2P

Rated current : 6.94 A  
LRC : 7.6  
Rated torque : 11.2 ft.lb  
Locked rotor torque : 260 %  
Breakdown torque : 300 %  
Rated speed : 3530 rpm

Moment of inertia (J) : 0.5496 sq.ft.lb  
Duty cycle : Cont.(S1)  
Insulation class : F  
Service factor : 1.15  
Temperature rise : 80 K  
Design : B

Heating constant

Cooling constant

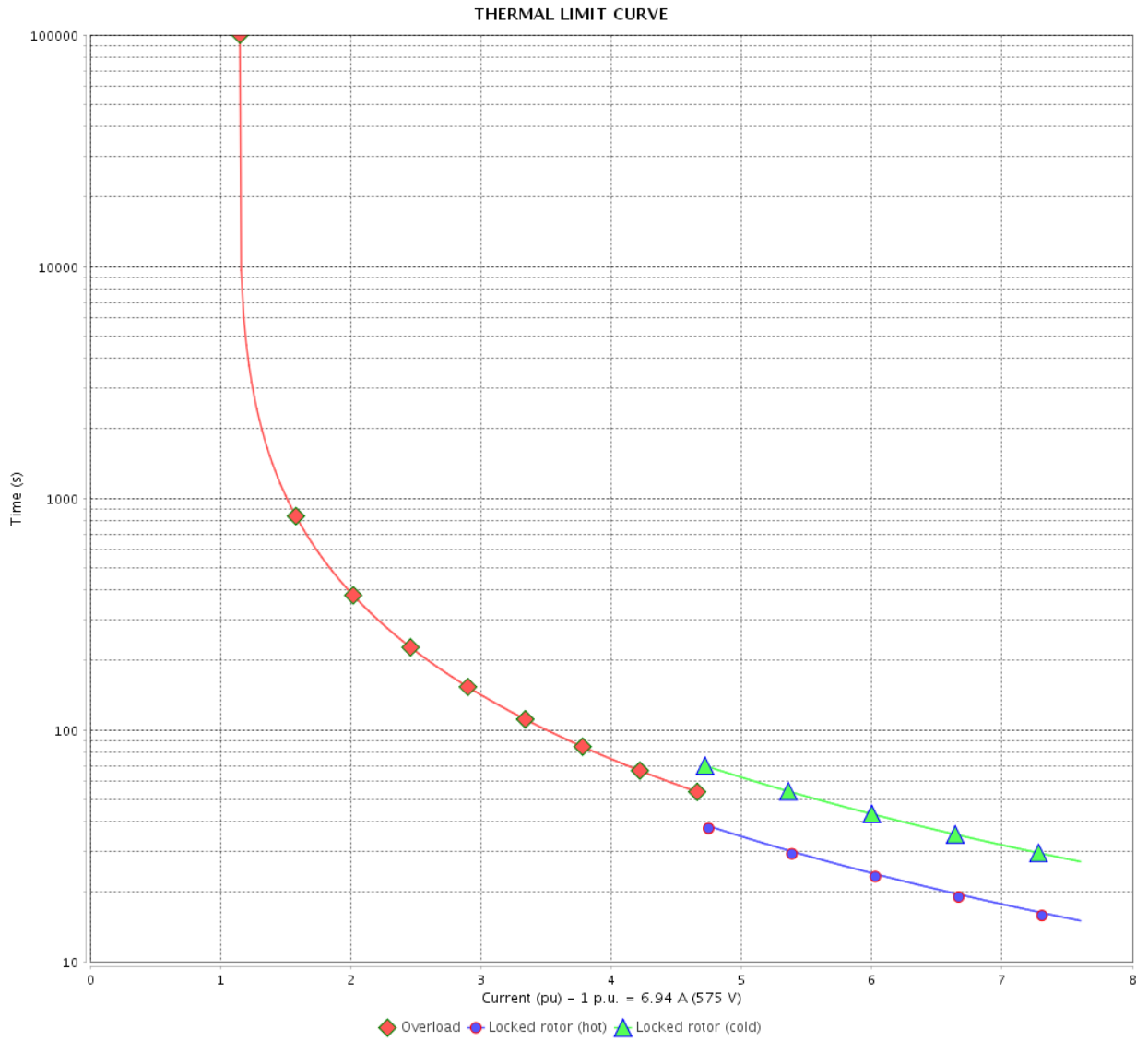
Rev.	Changes Summary	Performed	Checked	Date
Performed by				
Checked by			Page	Revision
Date	12/04/2022		4 / 6	

# THERMAL LIMIT CURVE

Three Phase Induction Motor - Squirrel Cage



Customer : \_\_\_\_\_



Rev.	Changes Summary	Performed	Checked	Date
Performed by		Page 5 / 6		Revision
Checked by				
Date				

# VFD OPERATION CURVE

Three Phase Induction Motor - Squirrel Cage



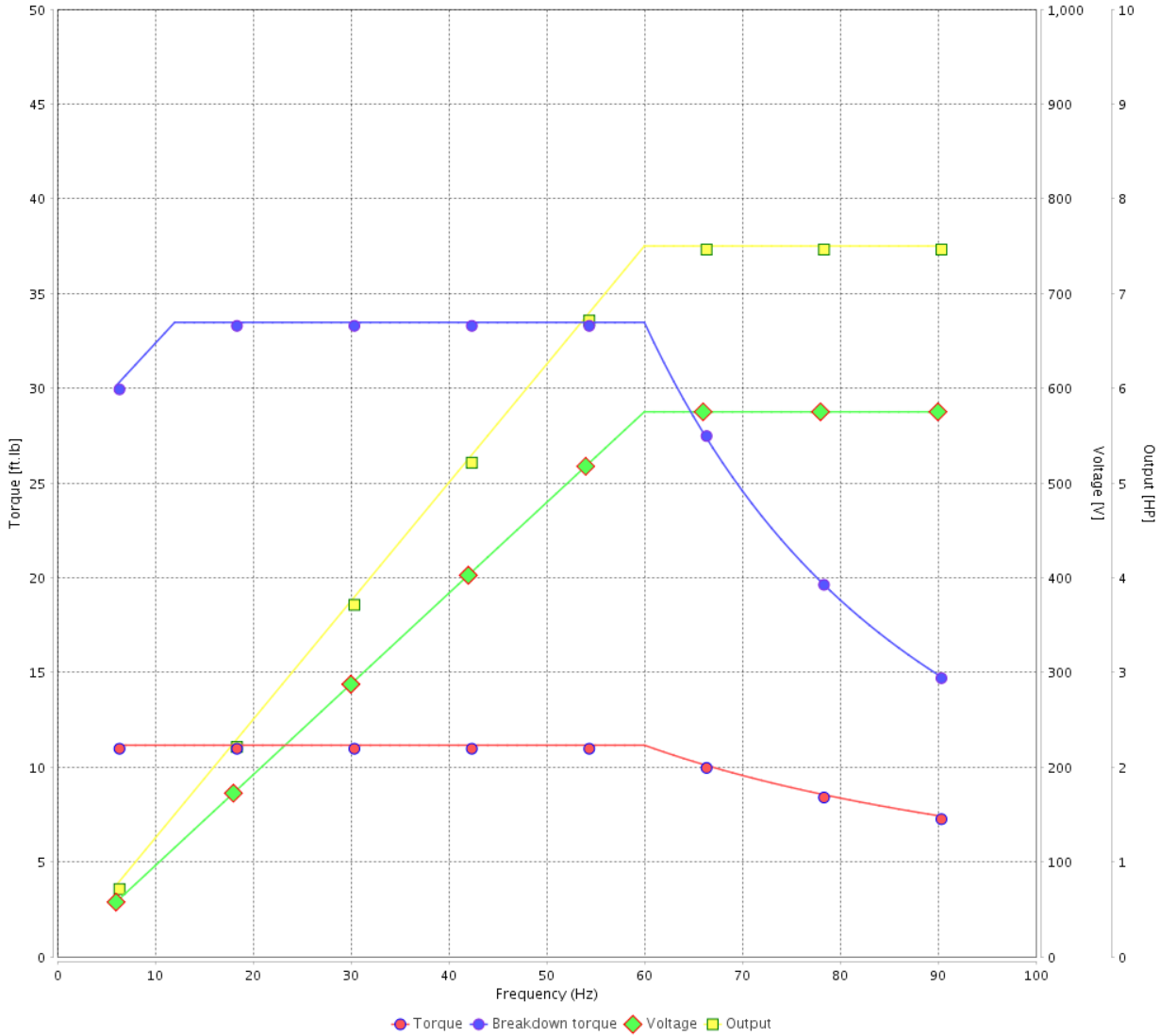
Customer :

Product line : JM Pump NEMA Premium Efficiency Three-Phase

Product code : 14358631

Catalog # : 00736ET3H213JM-SG

VFD OPERATION CURVE



Performance : 575 V 60 Hz 2P

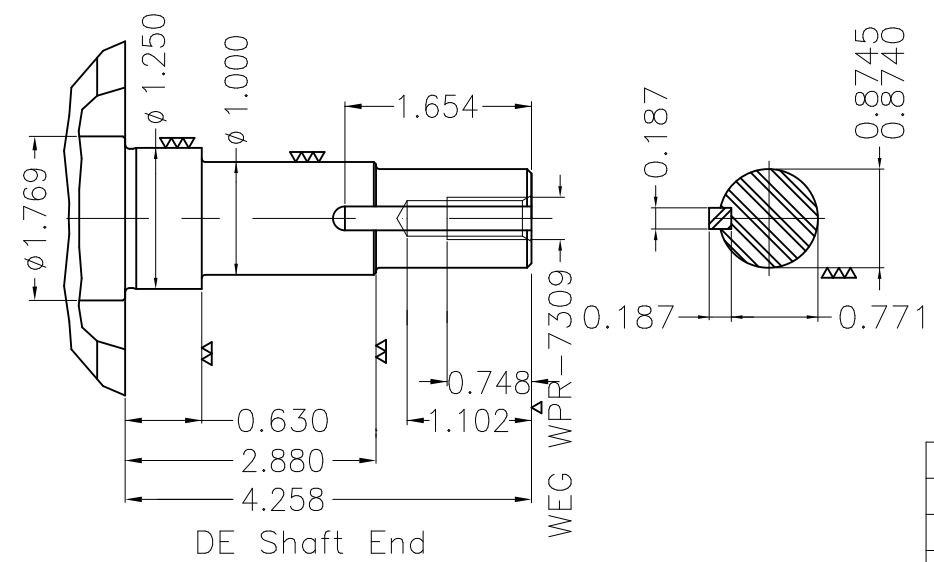
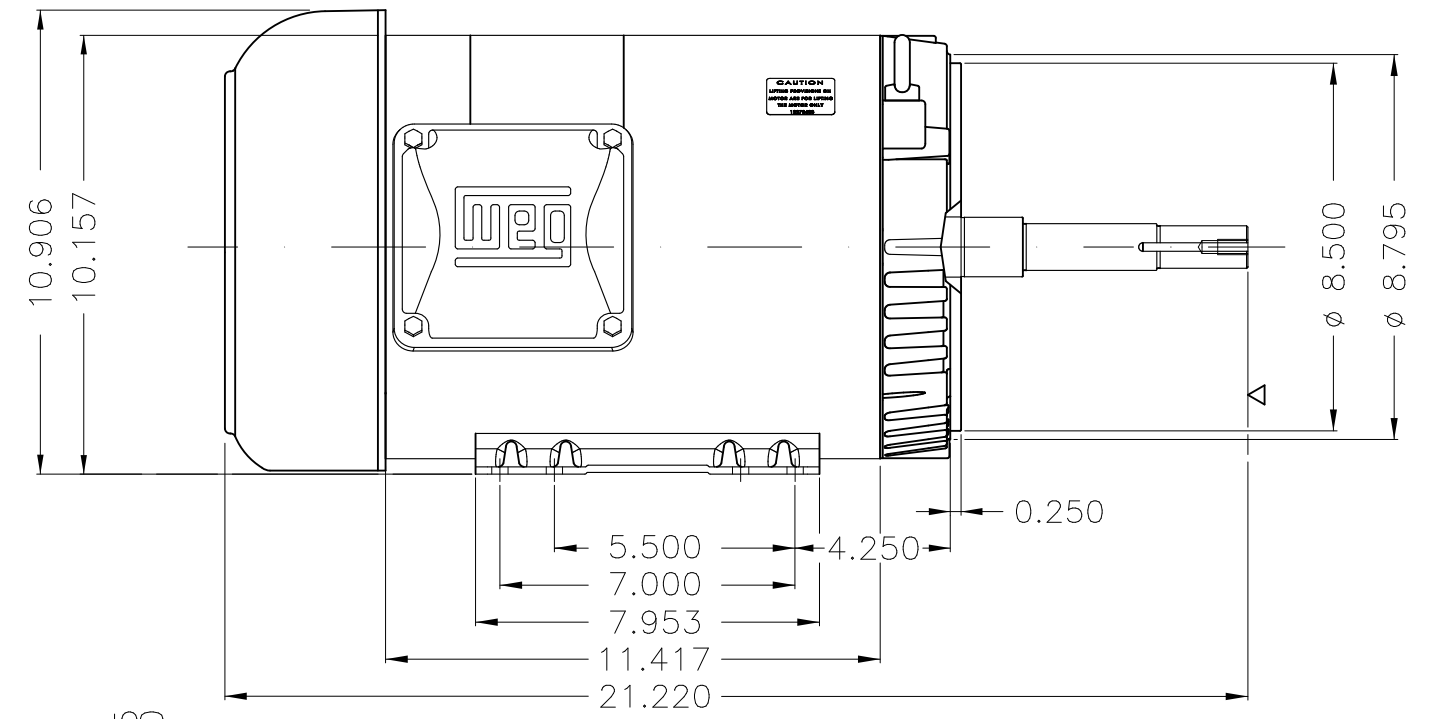
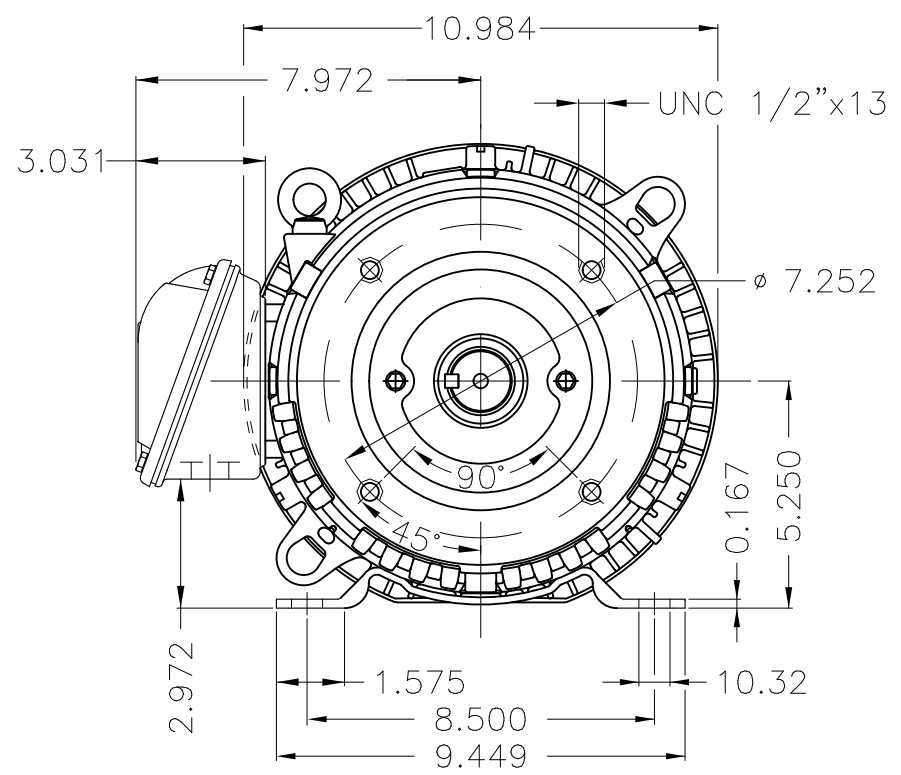
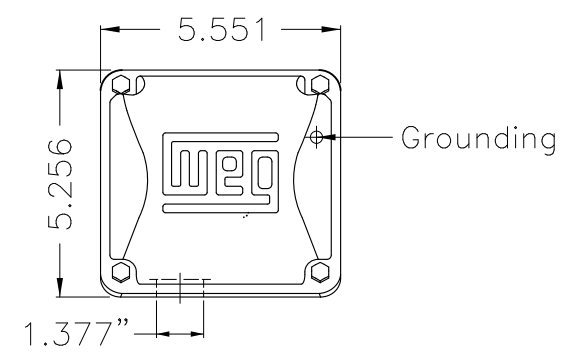
Rated current : 6.94 A  
 LRC : 7.6  
 Rated torque : 11.2 ft.lb  
 Locked rotor torque : 260 %  
 Breakdown torque : 300 %  
 Rated speed : 3530 rpm

Moment of inertia (J) : 0.5496 sq.ft.lb  
 Duty cycle : Cont.(S1)  
 Insulation class : F  
 Service factor : 1.15  
 Temperature rise : 80 K  
 Design : B

Rev.	Changes Summary	Performed	Checked	Date
Performed by			Page 6 / 6	Revision
Checked by				
Date	12/04/2022			

1 2 3 4 5 6

A  
B  
C  
D  
E



EUNC 3/8" - 16 WEG WPR-7309

Internal AEGIS ground ring on the DE  
 Color Munsell N 1 matte black  
 Painting plan 207N  
 Mounting F-1/B34R(D)

ECM	LOC	SUMMARY OF MODIFICATIONS	EXECUTED	CHECKED	RELEASED	DATE	VER
EXECUTED	PIRWBUSER	THREE PH. MOTOR ROLLED STEEL CLOSE COUPLED PUMP JN TYPE PSEF 575					
CHECKED		FRAME 213/5JM IP55 TEFC					
RELEASED							
REL DT.	WMO	Jaragua do Sul	Product Engineering	WDD	SHEET	1 / 1	

7.5 HP 02 Poles 60 Hz



Dimensions in inches XME A3



**NEMA**  
**Premium**



MADE IN MEXICO

**MAT: 14358631 CC029A**

**W01.TE0IC0X0N**

**JM007502NPW01GR**

**25FEB2022 S/N:**

PH 3	Hz 60	HP 7.5
FR 213/5JM		KW 5.5
DUTY CONT.		V 575
ALT 1000 m.a.s.l		A 6.94
INS CL F AT 80K	IP55	SFA 7.98
AMB 40°C	DES B	SF 1.15
ENCL TEFC	CODE H	PF 0.89
		RPM 3530
		NEMA NOM. EFF 89.5%

Inverter duty motor For use on VPWM 1000:1 VT, 10:1 CT

DE 6209-ZZ ODE 6206-ZZ MOBIL POLYREX EM



T1-BLU  
T2-WHT  
T3-ORG  
T4-YEL  
T5-BLK  
T6-GRY



INTERCHANGE ANY TWO LINE WIRES TO REVERSE THE ROTATION

**WARNING:** Motor must be grounded in accordance with local and national electrical codes to prevent serious electrical shocks. Disconnect power source before servicing unit.



**AVERTISSEMENT:** Le moteur doit être mis à la terre

conformément aux codes électriques locaux et nationaux afin d'éviter tout choc électrique grave. Déconnectez l'alimentation avant l'entretien de la machine.

