

# DATA SHEET



## Three Phase Induction Motor - Squirrel Cage

Customer	:					
Product line	: JM Pump NEMA Premium Efficiency Three-Phase			Product code :	13440211	
				Catalog # :	00736ET3V213JM-S	
Frame	: 213/5JM		Locked rotor time	: 27s (cold) 15s (hot)		
Output	: 7.5 HP (5.5 kW)		Temperature rise	: 80 K		
Poles	: 2		Duty cycle	: Cont.(S1)		
Frequency	: 60 Hz		Ambient temperature	: -20°C to +40°C		
Rated voltage	: 200/400 V		Altitude	: 1000 m.a.s.l.		
Rated current	: 19.9/9.97 A		Protection degree	: IP55		
L. R. Amperes	: 152/75.8 A		Cooling method	: IC411 - TEFC		
LRC	: 7.6x(Code H)		Mounting	: F-1		
No load current	: 7.63/3.81 A		Rotation <sup>1</sup>	: Both (CW and CCW)		
Rated speed	: 3530 rpm		Noise level <sup>2</sup>	: 70.0 dB(A)		
Slip	: 1.94 %		Starting method	: Direct On Line		
Rated torque	: 11.2 ft.lb		Approx. weight <sup>3</sup>	: 142 lb		
Locked rotor torque	: 260 %					
Breakdown torque	: 300 %					
Insulation class	: F					
Service factor	: 1.15					
Moment of inertia (J)	: 0.5496 sq.ft.lb					
Design	: B					
Output	25%	50%	75%	100%	Foundation loads	
Efficiency (%)	86.4	87.5	88.5	89.5	Max. traction : 117 lb	
Power Factor	0.49	0.76	0.85	0.89	Max. compression : 260 lb	
			<u>Drive end</u>	<u>Non drive end</u>		
Bearing type	:	6209 ZZ	6206 ZZ			
Sealing	:	V'Ring	V'Ring			
Lubrication interval	:	-	-			
Lubricant amount	:	-	-			
Lubricant type	:	Mobil Polyrex EM				
Notes						
This revision replaces and cancel the previous one, which must be eliminated. (1) Looking the motor from the shaft end. (2) Measured at 1m and with tolerance of +3dB(A). (3) Approximate weight subject to changes after manufacturing process. (4) At 100% of full load.			These are average values based on tests with sinusoidal power supply, subject to the tolerances stipulated in NEMA MG-1.			
Rev.	Changes Summary			Performed	Checked	Date
Performed by						
Checked by					Page	Revision
Date	12/04/2022				1 / 6	

# TORQUE AND CURRENT VS SPEED CURVE

## Three Phase Induction Motor - Squirrel Cage



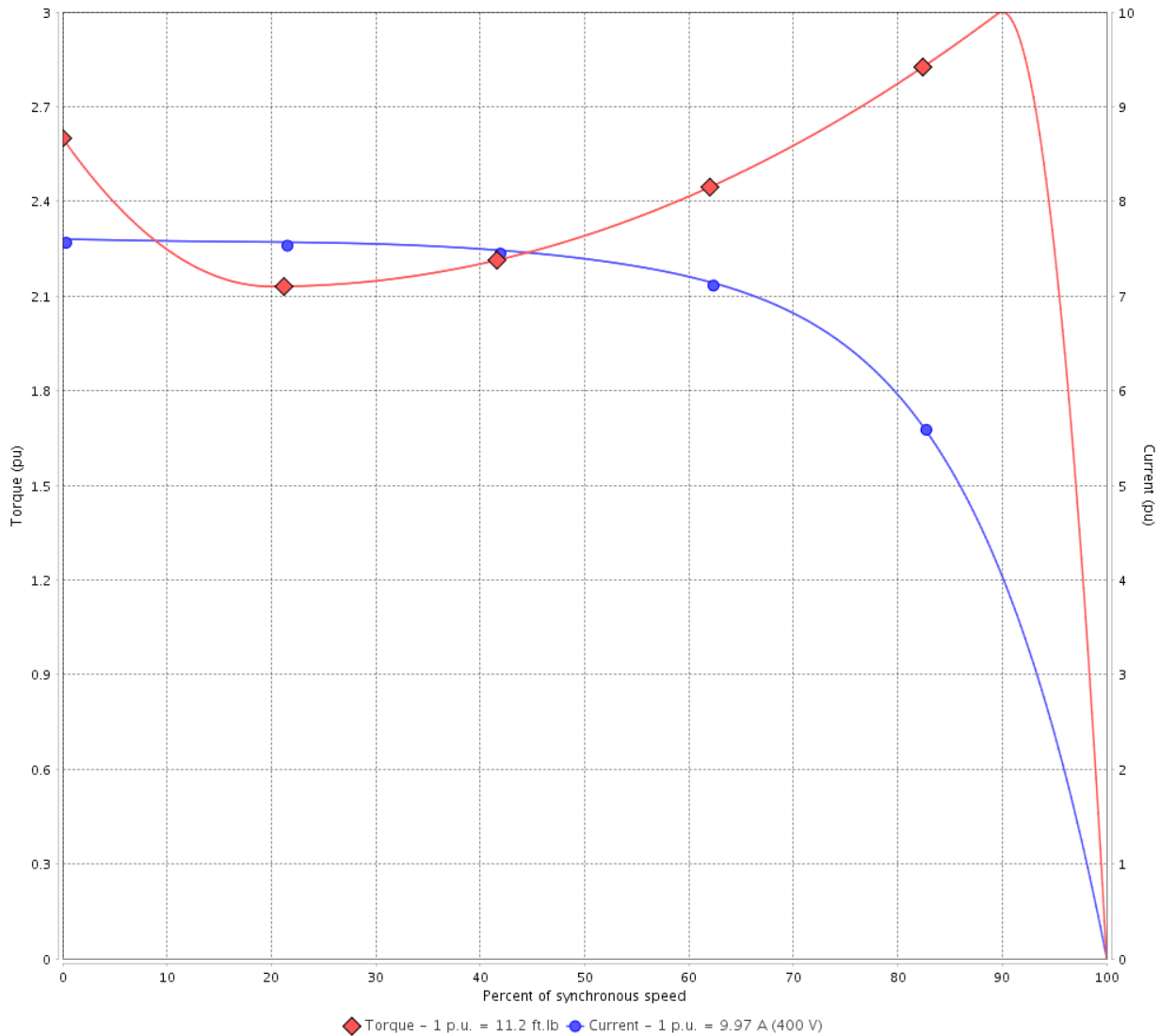
Customer :

Product line : JM Pump NEMA Premium Efficiency Three-Phase

Product code : 13440211

Catalog # : 00736ET3V213JM-S

TORQUE AND CURRENT VS SPEED CURVE



Performance : 200/400 V 60 Hz 2P

Rated current	: 19.9/9.97 A	Moment of inertia (J)	: 0.5496 sq.ft.lb
LRC	: 7.6	Duty cycle	: Cont.(S1)
Rated torque	: 11.2 ft.lb	Insulation class	: F
Locked rotor torque	: 260 %	Service factor	: 1.15
Breakdown torque	: 300 %	Temperature rise	: 80 K
Rated speed	: 3530 rpm	Design	: B

Locked rotor time : 27s (cold) 15s (hot)

Rev.	Changes Summary	Performed	Checked	Date
Performed by			Page 2 / 6	Revision
Checked by				
Date	12/04/2022			

# LOAD PERFORMANCE CURVE

## Three Phase Induction Motor - Squirrel Cage

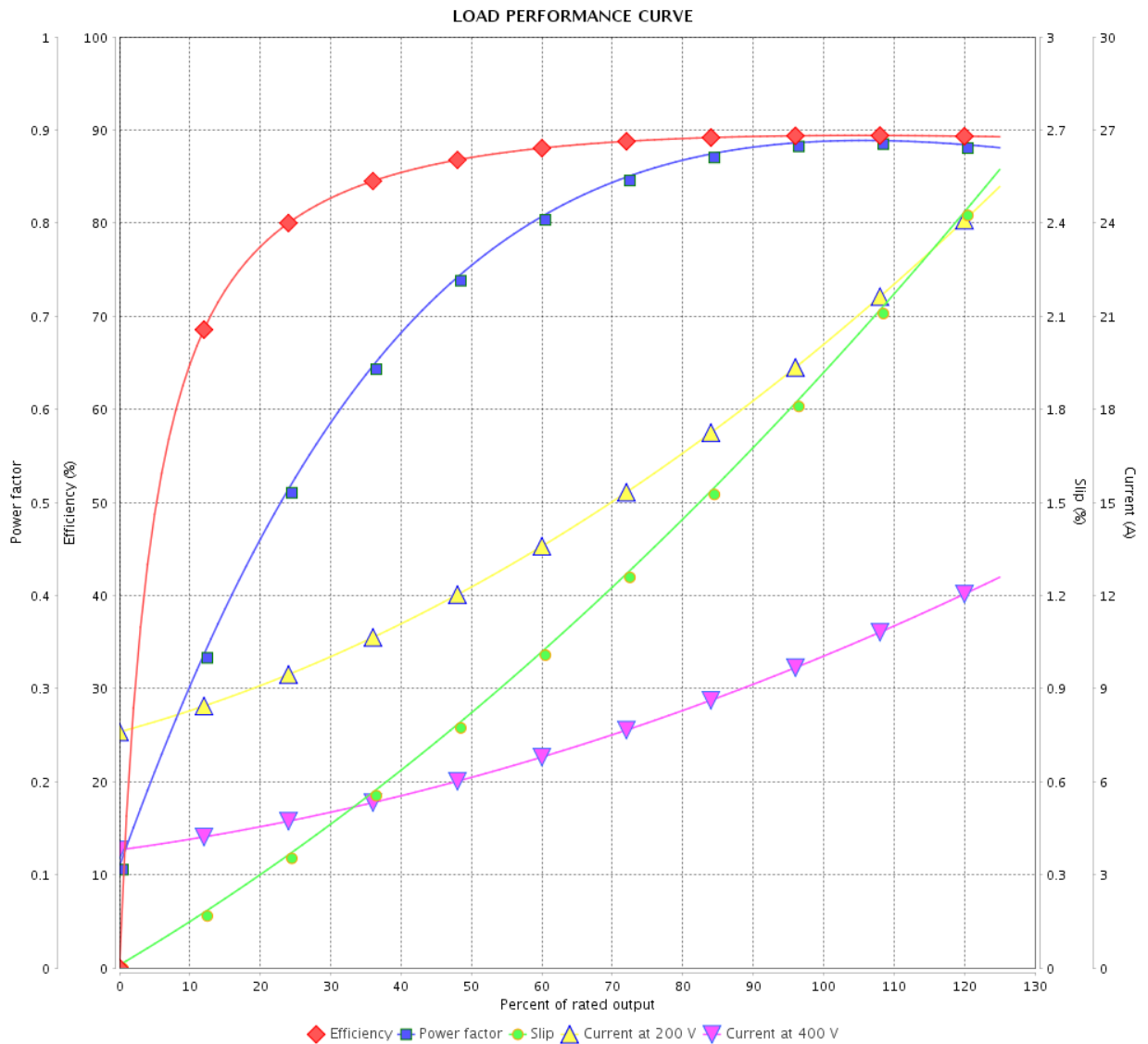


Customer :

Product line : JM Pump NEMA Premium  
Efficiency Three-Phase

Product code : 13440211

Catalog # : 00736ET3V213JM-S



Performance : 200/400 V 60 Hz 2P

Rated current : 19.9/9.97 A  
 LRC : 7.6  
 Rated torque : 11.2 ft.lb  
 Locked rotor torque : 260 %  
 Breakdown torque : 300 %  
 Rated speed : 3530 rpm

Moment of inertia (J) : 0.5496 sq.ft.lb  
 Duty cycle : Cont.(S1)  
 Insulation class : F  
 Service factor : 1.15  
 Temperature rise : 80 K  
 Design : B

Rev.	Changes Summary	Performed	Checked	Date
Performed by		Page		Revision
Checked by		3 / 6		
Date		12/04/2022		

# THERMAL LIMIT CURVE



## Three Phase Induction Motor - Squirrel Cage

Customer :

Product line : JM Pump NEMA Premium  
Efficiency Three-Phase

Product code : 13440211

Catalog # : 00736ET3V213JM-S

Performance : 200/400 V 60 Hz 2P

Rated current : 19.9/9.97 A  
LRC : 7.6  
Rated torque : 11.2 ft.lb  
Locked rotor torque : 260 %  
Breakdown torque : 300 %  
Rated speed : 3530 rpm

Moment of inertia (J) : 0.5496 sq.ft.lb  
Duty cycle : Cont.(S1)  
Insulation class : F  
Service factor : 1.15  
Temperature rise : 80 K  
Design : B

Heating constant

Cooling constant

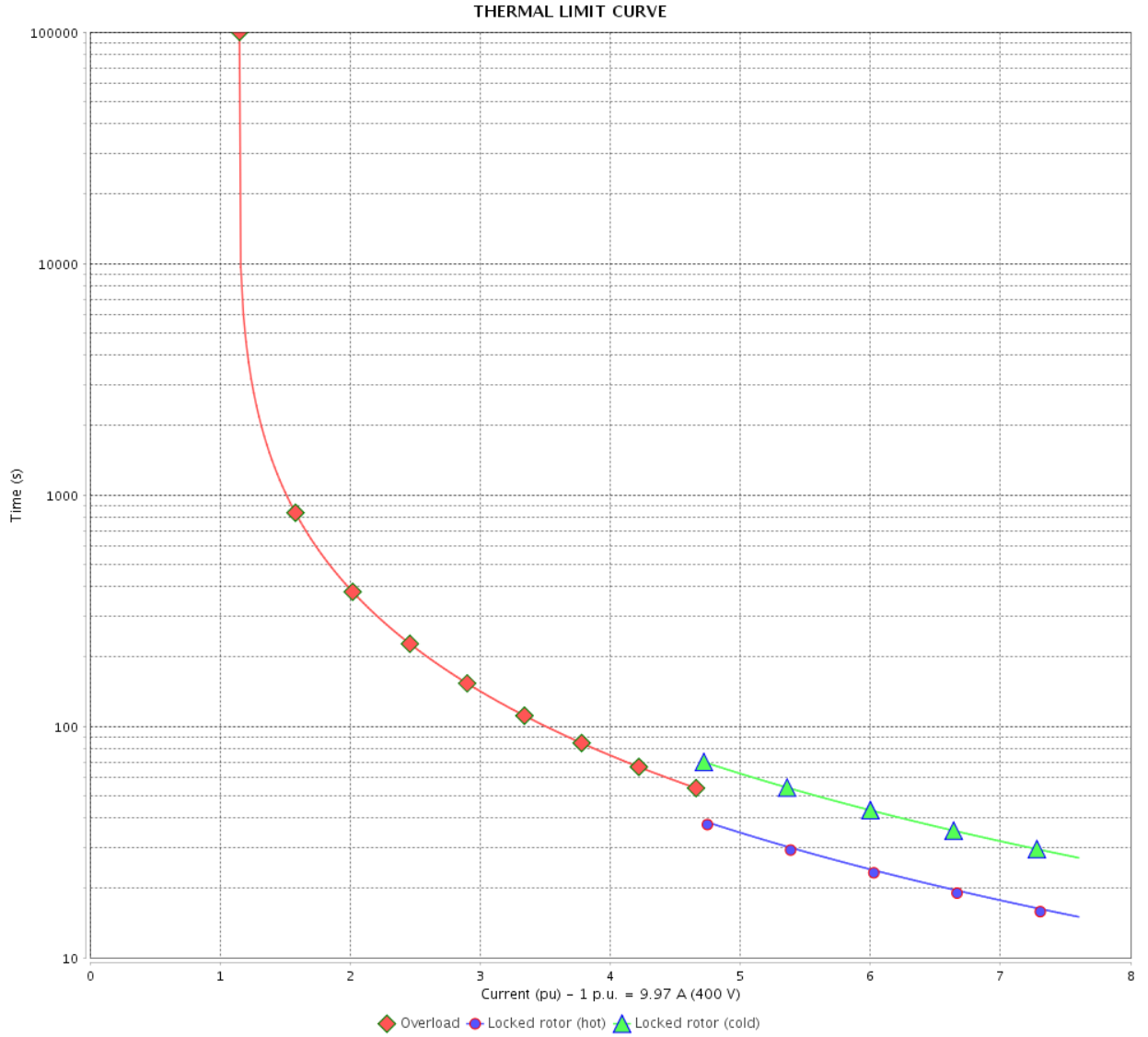
Rev.	Changes Summary	Performed	Checked	Date
Performed by				
Checked by			Page	Revision
Date	12/04/2022		4 / 6	

# THERMAL LIMIT CURVE

Three Phase Induction Motor - Squirrel Cage



Customer : \_\_\_\_\_



Rev.	Changes Summary	Performed	Checked	Date
Performed by		Page 5 / 6		Revision
Checked by				
Date				

# VFD OPERATION CURVE

Three Phase Induction Motor - Squirrel Cage



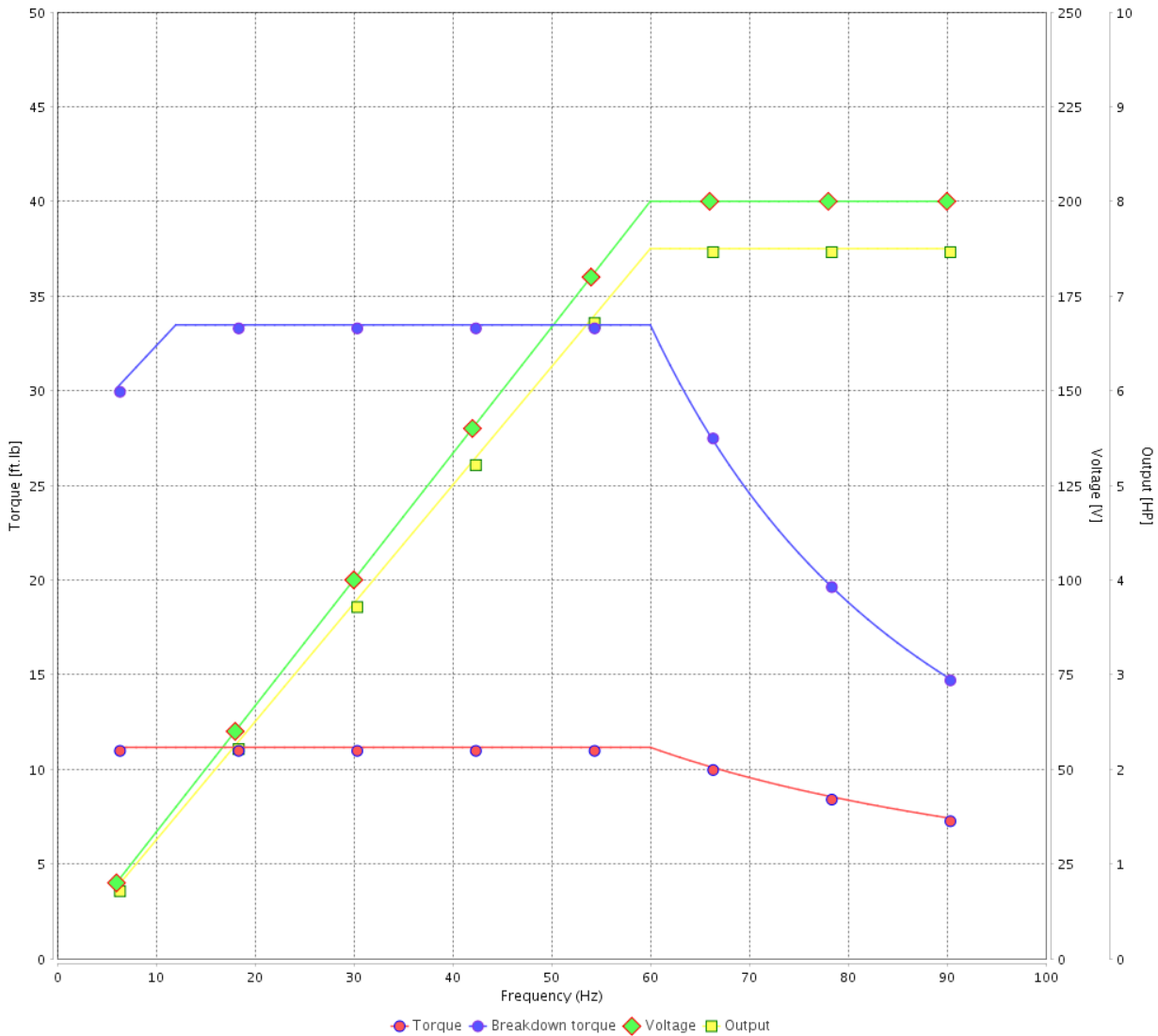
Customer : \_\_\_\_\_

Product line : JM Pump NEMA Premium Efficiency Three-Phase

Product code : 13440211

Catalog # : 00736ET3V213JM-S

VFD OPERATION CURVE



Performance : 200/400 V 60 Hz 2P

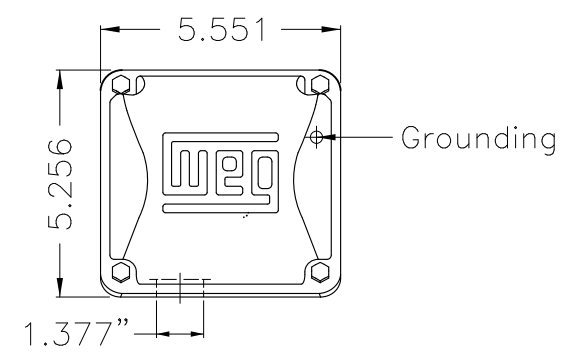
Rated current : 19.9/9.97 A  
 LRC : 7.6  
 Rated torque : 11.2 ft.lb  
 Locked rotor torque : 260 %  
 Breakdown torque : 300 %  
 Rated speed : 3530 rpm

Moment of inertia (J) : 0.5496 sq.ft.lb  
 Duty cycle : Cont.(S1)  
 Insulation class : F  
 Service factor : 1.15  
 Temperature rise : 80 K  
 Design : B

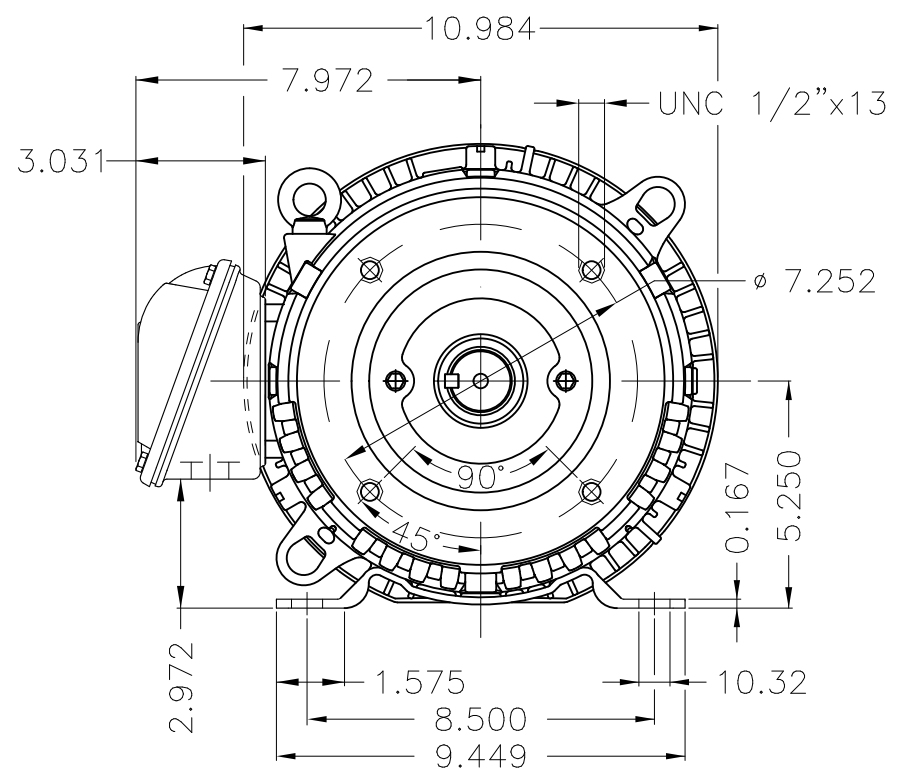
Rev.	Changes Summary	Performed	Checked	Date
Performed by			Page	Revision
Checked by			6 / 6	
Date	12/04/2022			

1 2 3 4 5 6

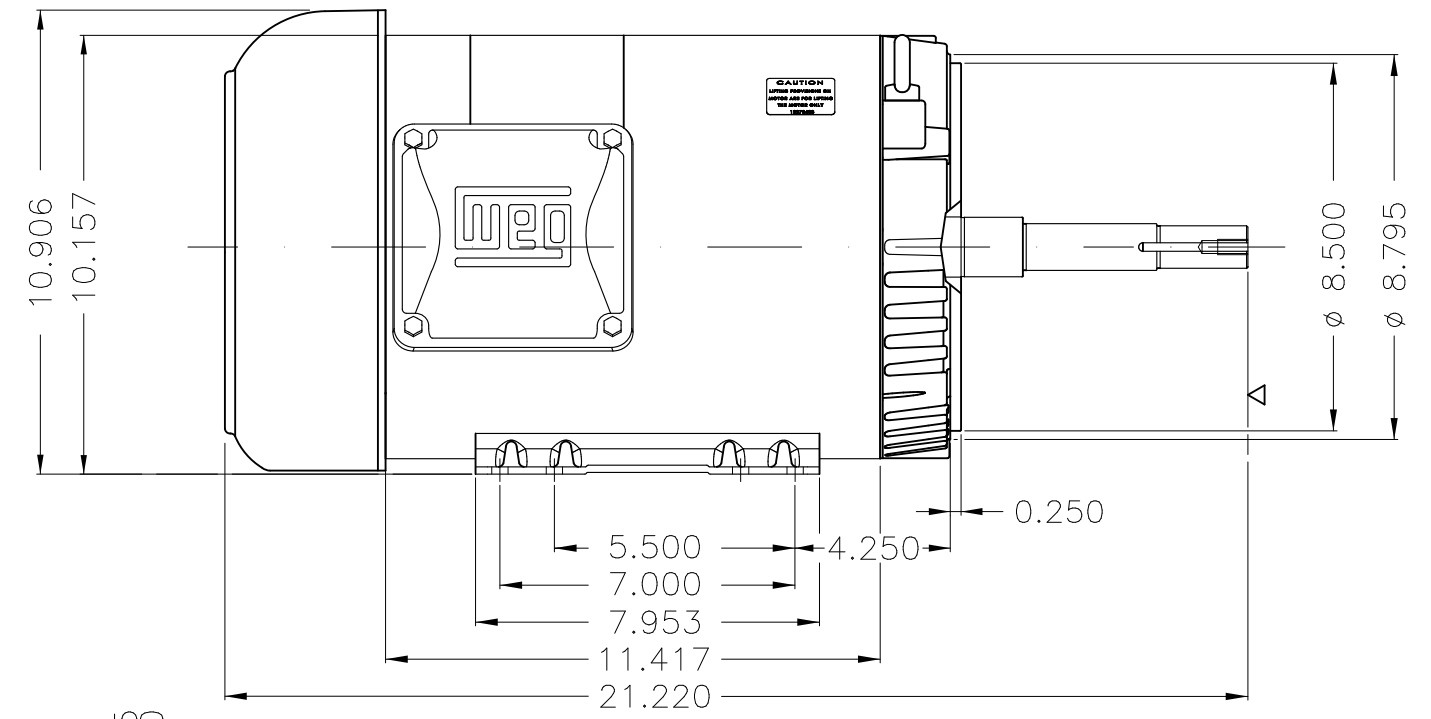
A



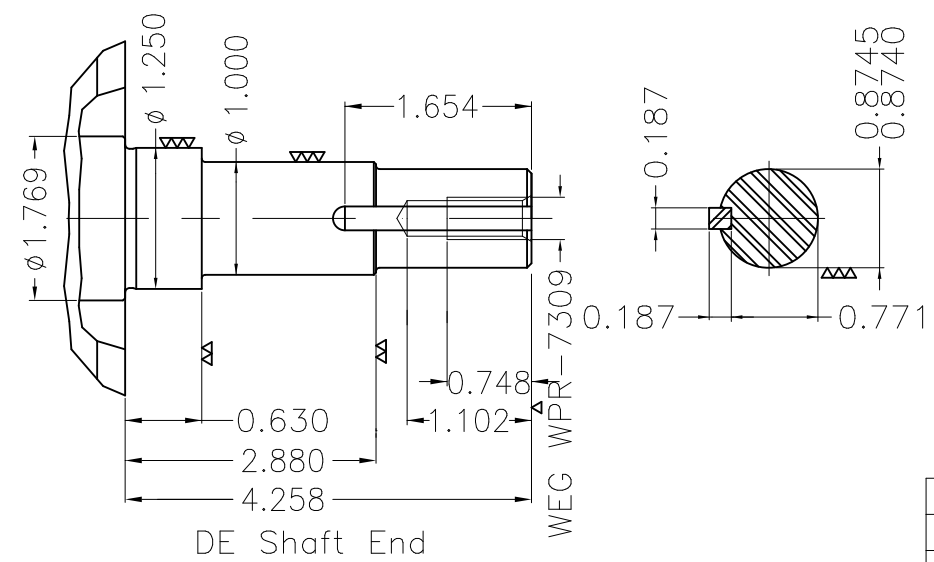
B



C



D



E

EUNC 3/8" - 16 WEG WPR-7309

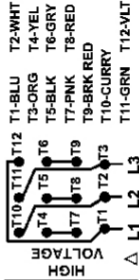
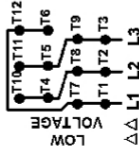
DE Shaft End

Color Munsell N 1 matte black									
Painting plan 207N									
Mounting F-1/B34R(D)									
ECM	LOC	SUMMARY OF MODIFICATIONS			EXECUTED	CHECKED	RELEASED	DATE	VER
EXECUTED	PIRWBUSER	THREE PH. MOTOR ROLLED STEEL CLOSE COUPLED PUMP JN TYPE PSE 107							
CHECKED		FRAME 213/5JM IP55 TEFC							
RELEASED									
REL DT.	WMO	Jaragua do Sul	Product Engineering	SHEET	1 / 1				

7.5 HP 02 Poles 60 Hz

**WEG**  
**NEMA Premium**

MADE IN MEXICO

**MAT: 13440211 CC029A**  
**W01.TE0IC0X0N**  
**MODEL 00736ET3V213JM-S**  
**22JUN2020 S/N:****PH 3 FR 213/5JM |HP(kw) 7.5(5.5)****V 200/400****RPM 3530****Hz 60****A 19.9/9.97****DUTY CONT.****SFA 22.9/11.5****CODE H DES B IP55****SF 1.15 |INS CL F ΔT 80K AMB 40°C ENCL TEFC****ALT 1000 m.a.s.l. |NEMA NOM.EFF. 89.5% |PF 0.89****ALTERNATE RATING:****UL** 3PT9  
C US LISTED  
FOR SAFE AREA**SP**®  
C US  
Energy Verified**For 60Hz: Class I, Zone 2, IIC**  
**Class I, Div.2, Gr. A,B,C,D - T3**  
**Div 2 Inverter Duty (SF1.00)**  
**CT 2:1/VT 1000:1****INTERCHANGE ANY TWO LINE WIRES TO REVERSE THE ROTATION****For safe area-inverter duty motor For use on VPWM 1000:1 VT, 10:1 CT****DE: 6209-ZZ ODE: 6206-ZZ MOBIL POLYREX EM****WARNING: Motor must be grounded in accordance with local and national electrical codes to prevent serious electrical shocks. Disconnect power source before servicing unit.****AVERTISSEMENT: Le moteur doit être mis à la terre conformément aux codes électriques locaux et nationaux afin d'éviter tout choc électrique grave. Déconnectez l'alimentation avant l'entretien de la machine.**