

# DATA SHEET

## Three Phase Induction Motor - Squirrel Cage



Customer :		
Product line	: JM Pump NEMA Premium Efficiency Three-Phase	
Product code :	12676952	
Catalog # :	00736OT3E184JM-S	
Frame	: 182/4JM	
Insulation class	: F	
Duty cycle	: Cont.(S1)	
Ambient temperature	: -20°C to +40°C	
Altitude	: 1000 m.a.s.l.	
Design	: B	
Cooling method	: IC01 - ODP	
Mounting	: F-1	
Rotation <sup>1</sup>	: Both (CW and CCW)	
Starting method	: Direct On Line	
Approx. weight <sup>2</sup>	: 76.7 lb	
Moment of inertia (J)	: 0.1818 sq.ft.lb	
Output [HP]	7.5	
Poles	2	
Frequency [Hz]	60	
Rated voltage [V]	230/460	
Rated current [A]	17.3/8.67	
L. R. Amperes [A]	128/64.2	
LRC [A]	7.4x(Code H)	
No load current [A]	6.43/3.22	
Rated speed [RPM]	3500	
Slip [%]	2.78	
Rated torque [ft.lb]	11.3	
Locked rotor torque [%]	180	
Breakdown torque [%]	290	
Service factor	1.15	
Temperature rise	80 K	
Locked rotor time	18s (cold) 10s (hot)	
Noise level <sup>2</sup>	65.0 dB(A)	
Efficiency (%)	25%	88.3
	50%	88.5
	75%	88.5
	100%	88.5
Power Factor	25%	0.49
	50%	0.76
	75%	0.85
	100%	0.90
Bearing type	: <u>Drive end</u> 6207 ZZ <u>Non drive end</u> 6205 ZZ	
Sealing	: Without Without Bearing Seal Bearing Seal	
Lubrication interval	: - -	
Lubricant amount	: - -	
Lubricant type	: Mobil Polyrex EM	
Foundation loads	Max. traction : 171 lb Max. compression : 248 lb	
Notes USABLE @208V 19.2A SF 1.00 SFA 19.2A		
This revision replaces and cancel the previous one, which must be eliminated. (1) Looking the motor from the shaft end. (2) Measured at 1m and with tolerance of +3dB(A). (3) Approximate weight subject to changes after manufacturing process. (4) At 100% of full load.		
These are average values based on tests with sinusoidal power supply, subject to the tolerances stipulated in NEMA MG-1.		
Rev.	Changes Summary	
Performed by	Performed	
Checked by	Checked	
Date	Date	
12/04/2022		
Page	Revision	
1 /		

# TORQUE AND CURRENT VS SPEED CURVE

## Three Phase Induction Motor - Squirrel Cage



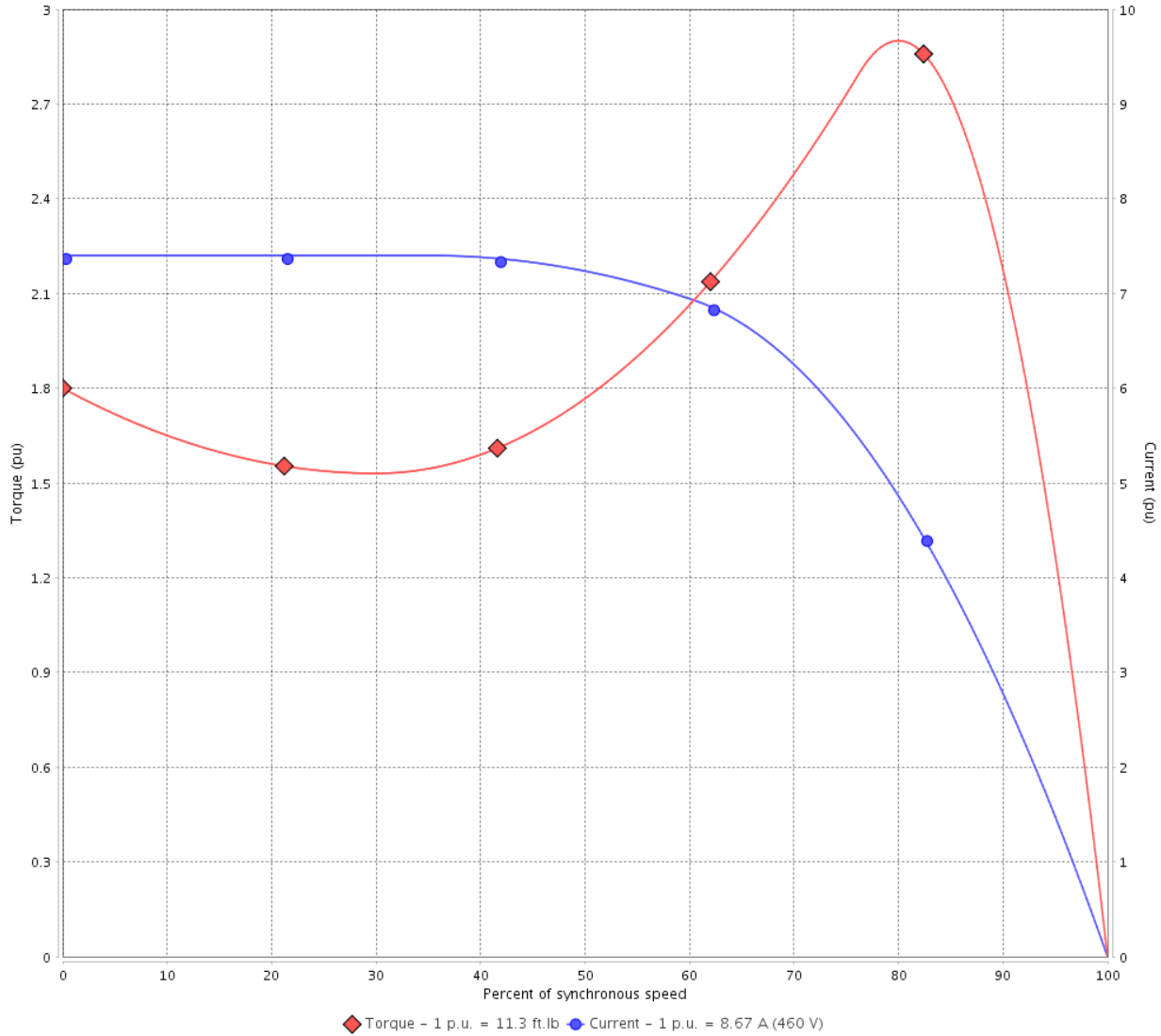
Customer :

Product line : JM Pump NEMA Premium Efficiency Three-Phase

Product code : 12676952

Catalog # : 00736OT3E184JM-S

TORQUE AND CURRENT VS SPEED CURVE



Performance : 230/460 V 60 Hz 2P

Rated current : 17.3/8.67 A  
 LRC : 7.4  
 Rated torque : 11.3 ft.lb  
 Locked rotor torque : 180 %  
 Breakdown torque : 290 %  
 Rated speed : 3500 rpm

Moment of inertia (J) : 0.1818 sq.ft.lb  
 Duty cycle : Cont.(S1)  
 Insulation class : F  
 Service factor : 1.15  
 Temperature rise : 80 K  
 Design : B

Locked rotor time : 18s (cold) 10s (hot)

Rev.	Changes Summary	Performed	Checked	Date
Performed by			Page 2 /	Revision
Checked by				
Date	12/04/2022			

# TORQUE AND CURRENT VS SPEED CURVE



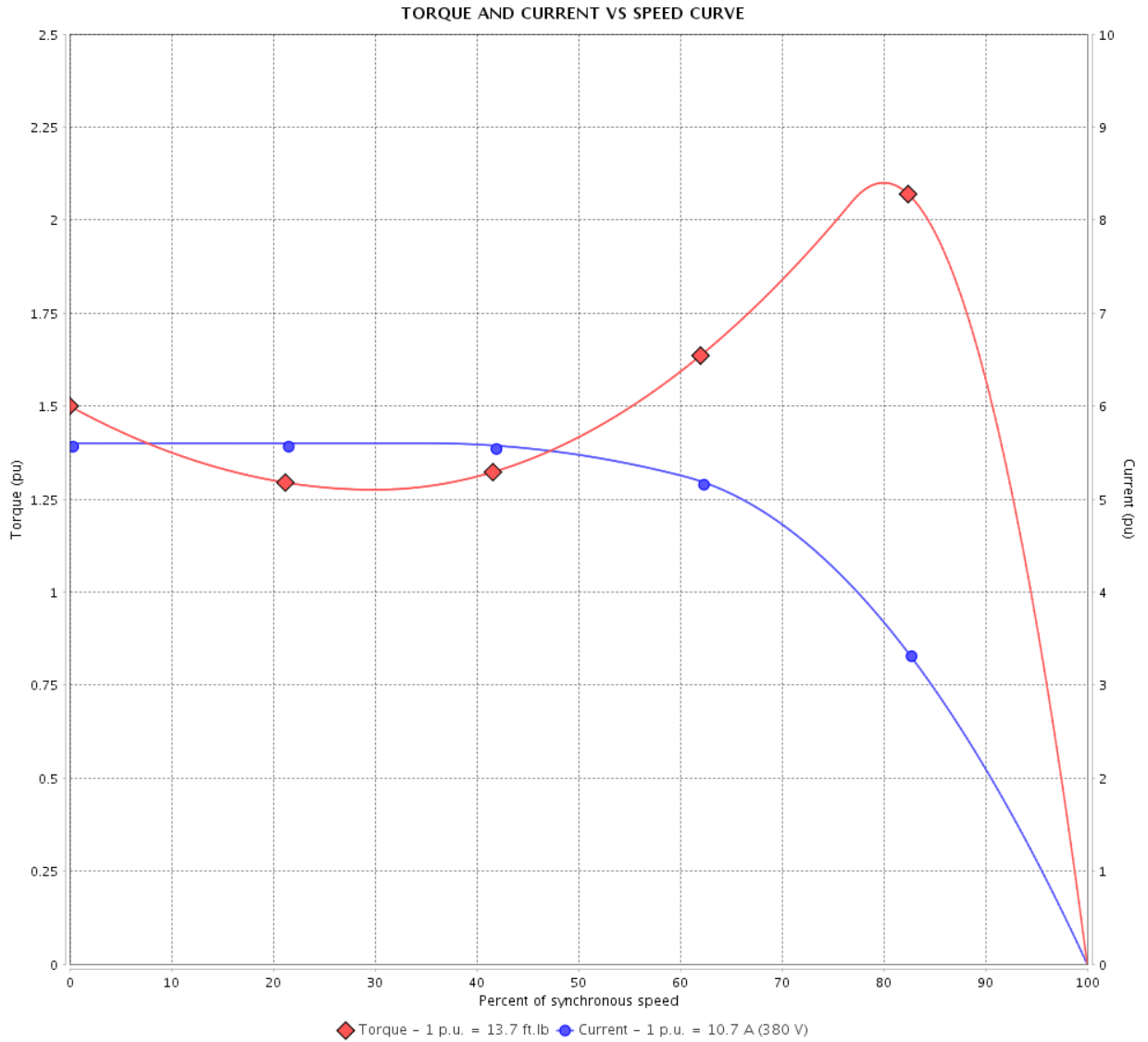
## Three Phase Induction Motor - Squirrel Cage

Customer :

Product line : JM Pump NEMA Premium Efficiency Three-Phase

Product code : 12676952

Catalog # : 007360T3E184JM-S



Performance : 190/380 V 50 Hz 2P

Rated current : 21.4/10.7 A  
 LRC : 5.6  
 Rated torque : 13.7 ft.lb  
 Locked rotor torque : 150 %  
 Breakdown torque : 210 %  
 Rated speed : 2865 rpm

Moment of inertia (J) : 0.1818 sq.ft.lb  
 Duty cycle : Cont.(S1)  
 Insulation class : F  
 Service factor : 1.00  
 Temperature rise : 105 K  
 Design : B

Locked rotor time : 0s (cold) 0s (hot)

Rev.	Changes Summary	Performed	Checked	Date
Performed by			Page 3 /	Revision
Checked by				
Date	12/04/2022			

# TORQUE AND CURRENT VS SPEED CURVE

## Three Phase Induction Motor - Squirrel Cage



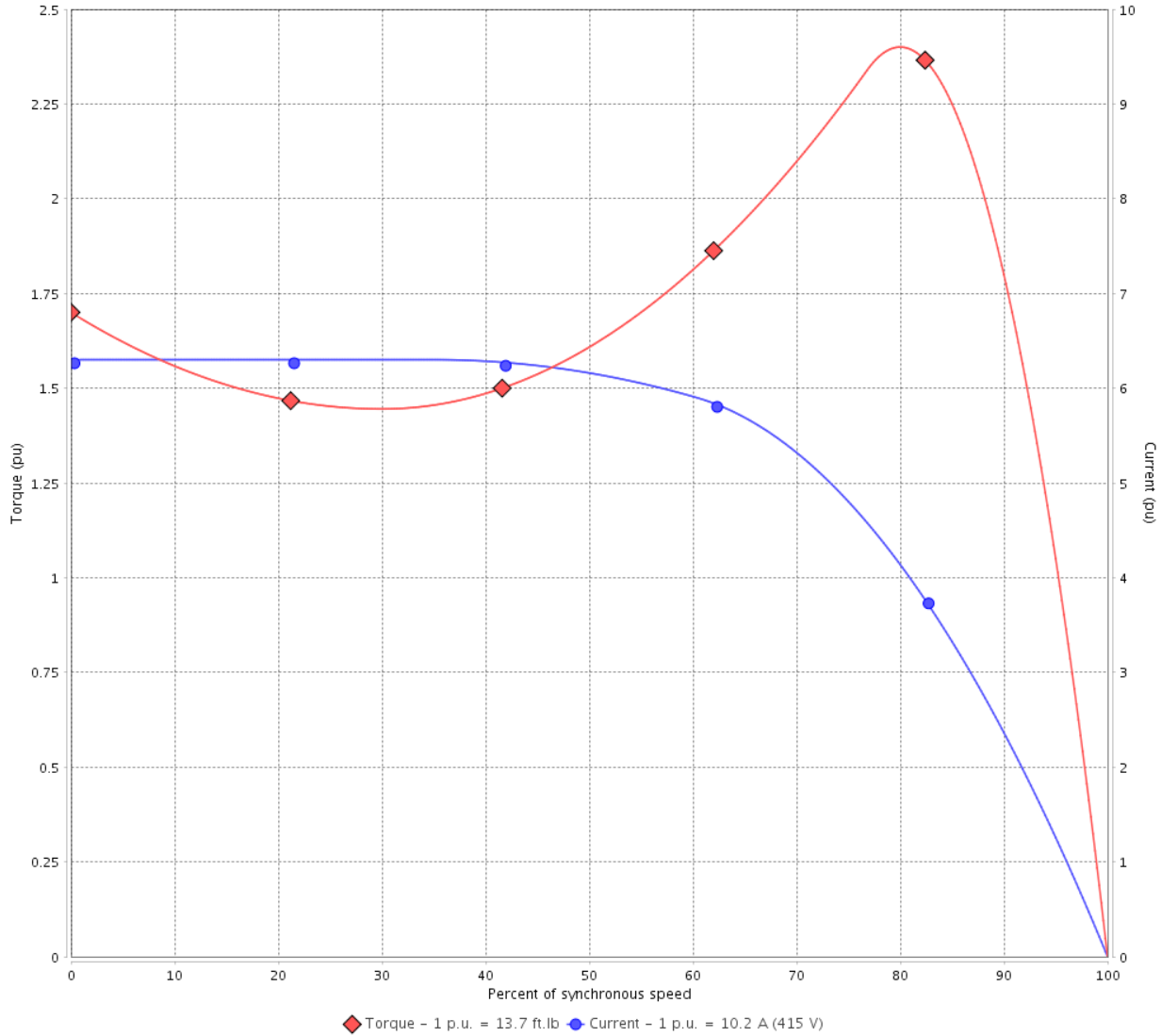
Customer :

Product line : JM Pump NEMA Premium  
Efficiency Three-Phase

Product code : 12676952

Catalog # : 007360T3E184JM-S

TORQUE AND CURRENT VS SPEED CURVE



Performance : 220/415 V 50 Hz 2P

Rated current : 19.2/10.2 A  
LRC : 6.3  
Rated torque : 13.7 ft.lb  
Locked rotor torque : 170 %  
Breakdown torque : 240 %  
Rated speed : 2880 rpm

Moment of inertia (J) : 0.1818 sq.ft.lb  
Duty cycle : Cont.(S1)  
Insulation class : F  
Service factor : 1.00  
Temperature rise : 105 K  
Design : B

Locked rotor time : 0s (cold) 0s (hot)

Rev.	Changes Summary	Performed	Checked	Date
Performed by			Page 4 /	Revision
Checked by				
Date	12/04/2022			

# LOAD PERFORMANCE CURVE

## Three Phase Induction Motor - Squirrel Cage

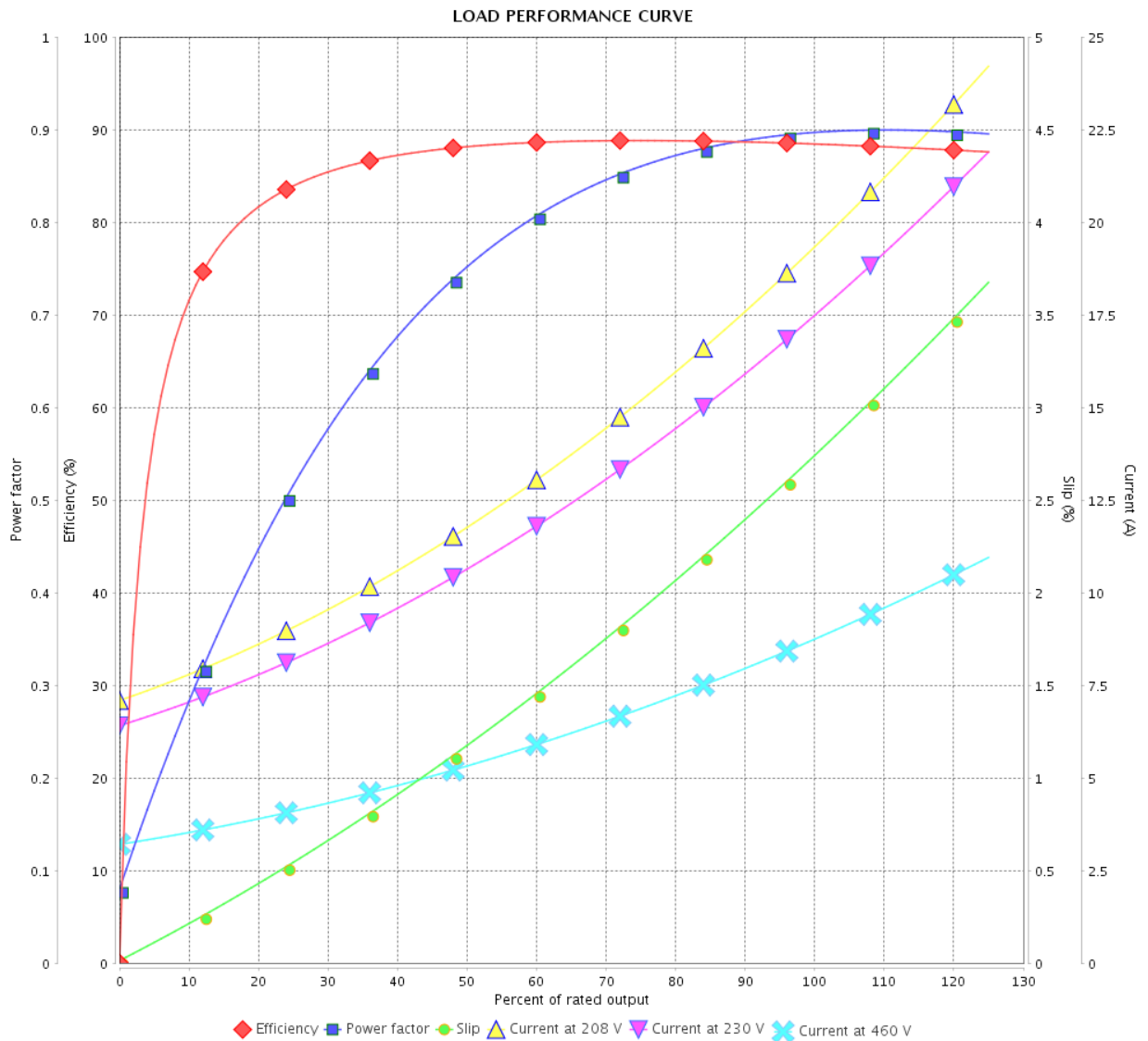


Customer :

Product line : JM Pump NEMA Premium  
Efficiency Three-Phase

Product code : 12676952

Catalog # : 00736OT3E184JM-S



Performance : 230/460 V 60 Hz 2P

Rated current : 17.3/8.67 A  
 LRC : 7.4  
 Rated torque : 11.3 ft.lb  
 Locked rotor torque : 180 %  
 Breakdown torque : 290 %  
 Rated speed : 3500 rpm

Moment of inertia (J) : 0.1818 sq.ft.lb  
 Duty cycle : Cont.(S1)  
 Insulation class : F  
 Service factor : 1.15  
 Temperature rise : 80 K  
 Design : B

Rev.	Changes Summary	Performed	Checked	Date
Performed by		Page		Revision
Checked by		5 /		
Date		12/04/2022		

# LOAD PERFORMANCE CURVE

## Three Phase Induction Motor - Squirrel Cage



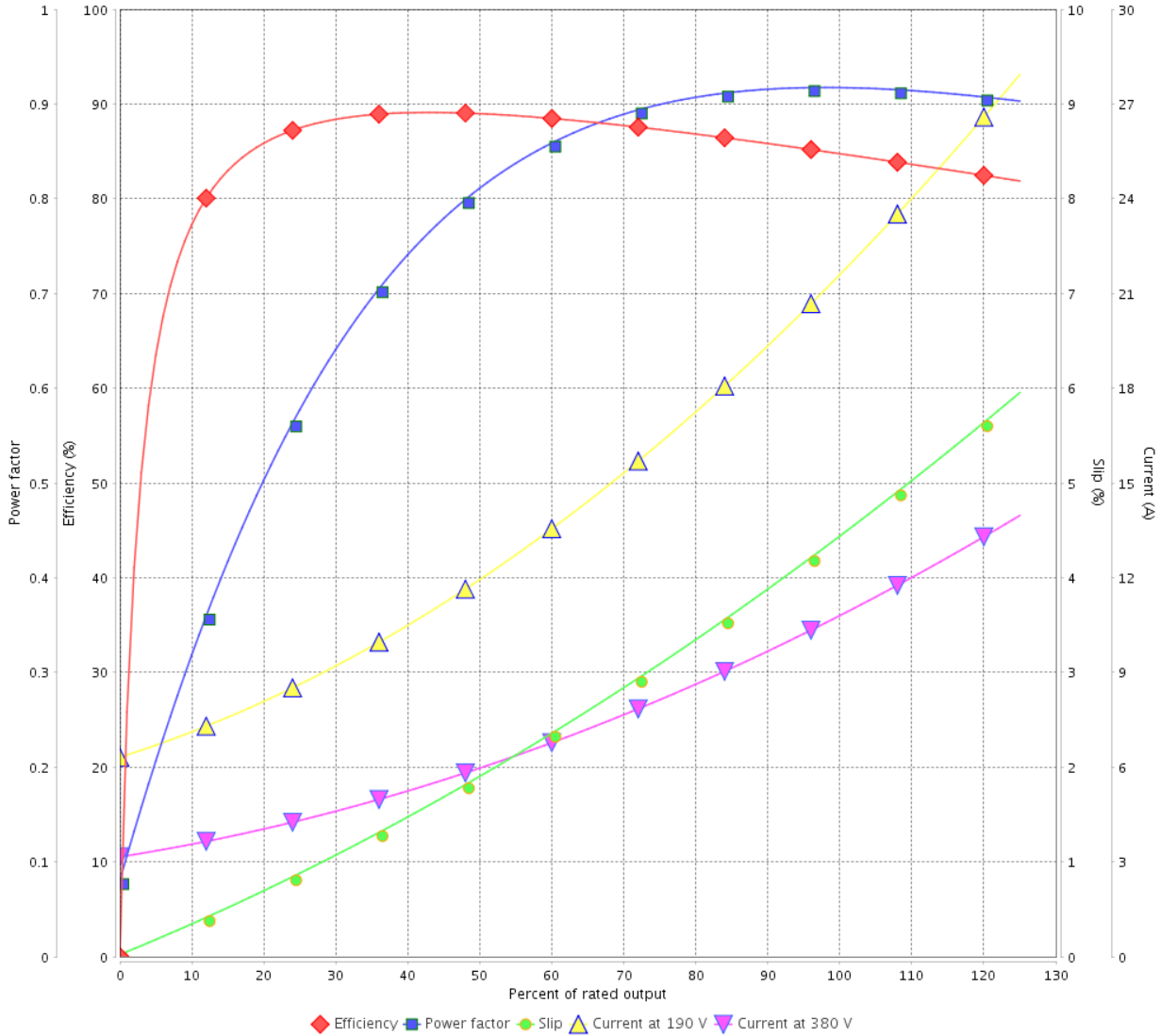
Customer :

Product line : JM Pump NEMA Premium  
Efficiency Three-Phase

Product code : 12676952

Catalog # : 007360T3E184JM-S

LOAD PERFORMANCE CURVE



Performance : 190/380 V 50 Hz 2P

Rated current : 21.4/10.7 A  
LRC : 5.6  
Rated torque : 13.7 ft.lb  
Locked rotor torque : 150 %  
Breakdown torque : 210 %  
Rated speed : 2865 rpm

Moment of inertia (J) : 0.1818 sq.ft.lb  
Duty cycle : Cont.(S1)  
Insulation class : F  
Service factor : 1.00  
Temperature rise : 105 K  
Design : B

Rev.	Changes Summary	Performed	Checked	Date
Performed by			Page	Revision
Checked by			6 /	
Date	12/04/2022			

# LOAD PERFORMANCE CURVE

## Three Phase Induction Motor - Squirrel Cage

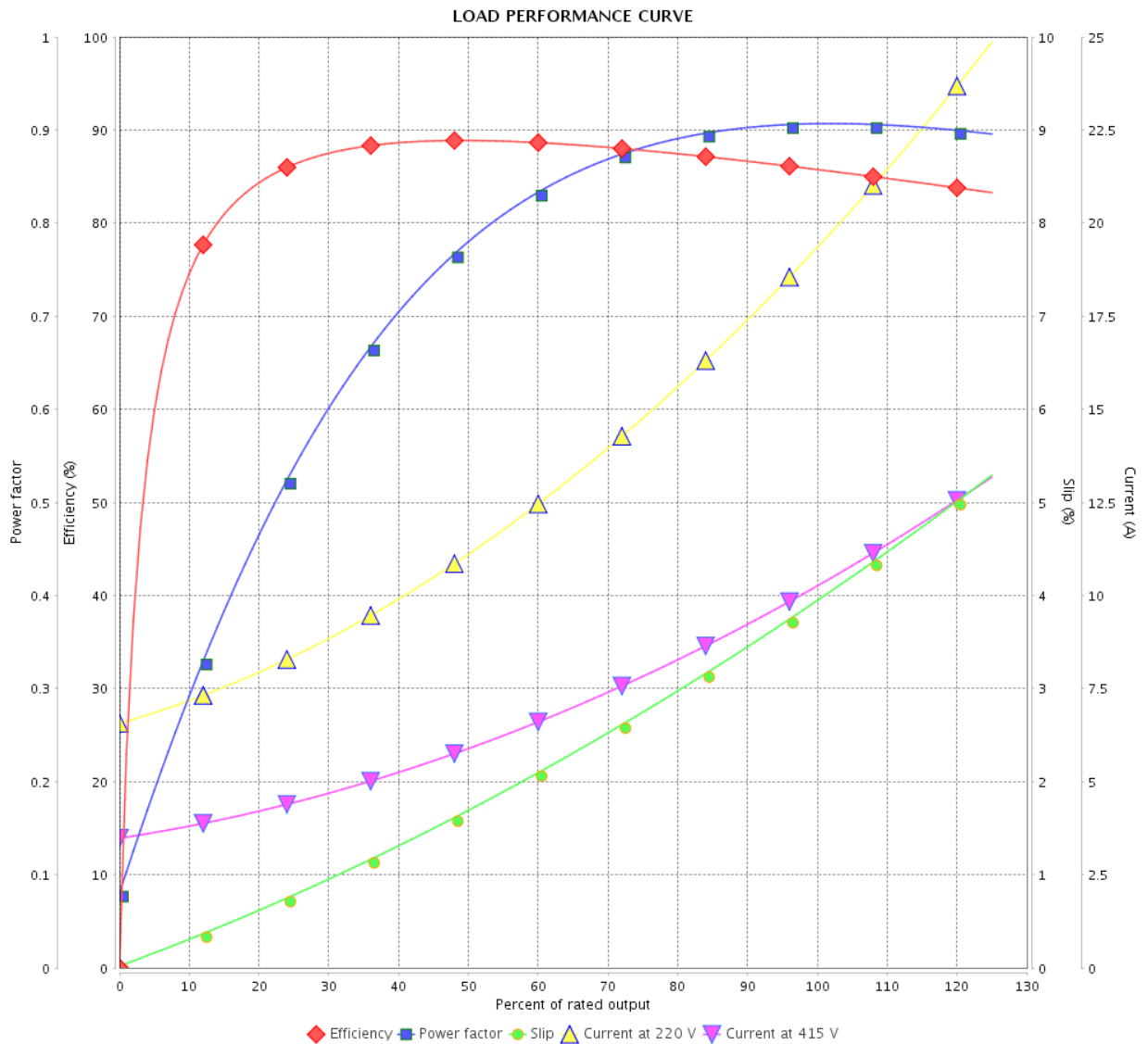


Customer :

Product line : JM Pump NEMA Premium  
Efficiency Three-Phase

Product code : 12676952

Catalog # : 00736OT3E184JM-S



Performance : 220/415 V 50 Hz 2P

Rated current : 19.2/10.2 A  
 LRC : 6.3  
 Rated torque : 13.7 ft.lb  
 Locked rotor torque : 170 %  
 Breakdown torque : 240 %  
 Rated speed : 2880 rpm

Moment of inertia (J) : 0.1818 sq.ft.lb  
 Duty cycle : Cont.(S1)  
 Insulation class : F  
 Service factor : 1.00  
 Temperature rise : 105 K  
 Design : B

Rev.	Changes Summary	Performed	Checked	Date
Performed by			Page	Revision
Checked by				
Date				
			7 /	

# THERMAL LIMIT CURVE



## Three Phase Induction Motor - Squirrel Cage

Customer :

Product line : JM Pump NEMA Premium  
Efficiency Three-Phase

Product code : 12676952

Catalog # : 00736OT3E184JM-S

Performance : 230/460 V 60 Hz 2P

Rated current : 17.3/8.67 A  
LRC : 7.4  
Rated torque : 11.3 ft.lb  
Locked rotor torque : 180 %  
Breakdown torque : 290 %  
Rated speed : 3500 rpm

Moment of inertia (J) : 0.1818 sq.ft.lb  
Duty cycle : Cont.(S1)  
Insulation class : F  
Service factor : 1.15  
Temperature rise : 80 K  
Design : B

Heating constant

Cooling constant

Rev.	Changes Summary	Performed	Checked	Date
Performed by				
Checked by			Page	Revision
Date	12/04/2022		8 /	

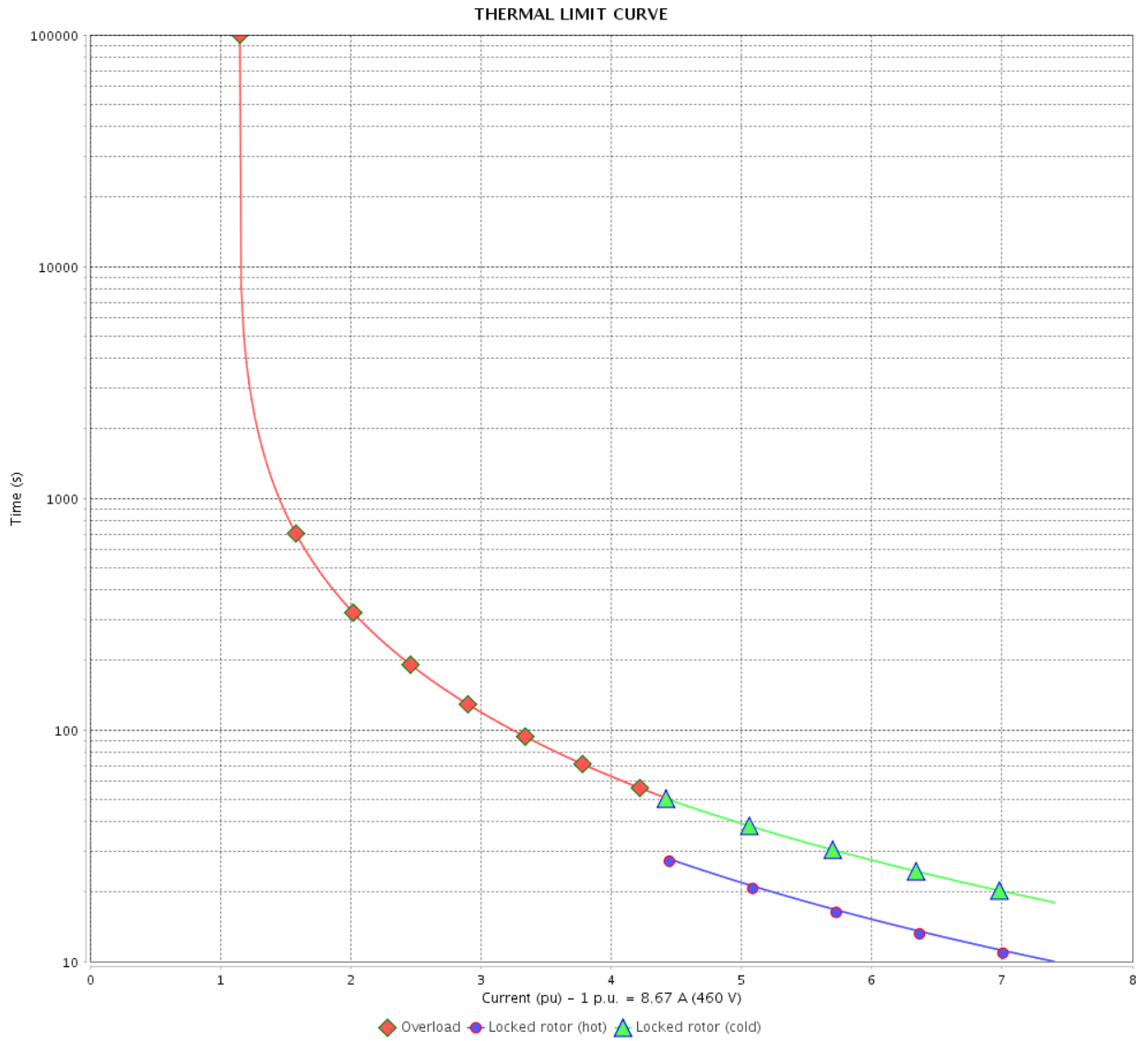


# THERMAL LIMIT CURVE

Three Phase Induction Motor - Squirrel Cage



Customer : \_\_\_\_\_



Rev.	Changes Summary	Performed	Checked	Date
Performed by		Page		Revision
Checked by		9 /		
Date		12/04/2022		

# THERMAL LIMIT CURVE



## Three Phase Induction Motor - Squirrel Cage

Customer :

Product line : JM Pump NEMA Premium  
Efficiency Three-Phase

Product code : 12676952

Catalog # : 00736OT3E184JM-S

Performance : 190/380 V 50 Hz 2P

Rated current : 21.4/10.7 A  
LRC : 5.6  
Rated torque : 13.7 ft.lb  
Locked rotor torque : 150 %  
Breakdown torque : 210 %  
Rated speed : 2865 rpm

Moment of inertia (J) : 0.1818 sq.ft.lb  
Duty cycle : Cont.(S1)  
Insulation class : F  
Service factor : 1.00  
Temperature rise : 105 K  
Design : B

Heating constant

Cooling constant

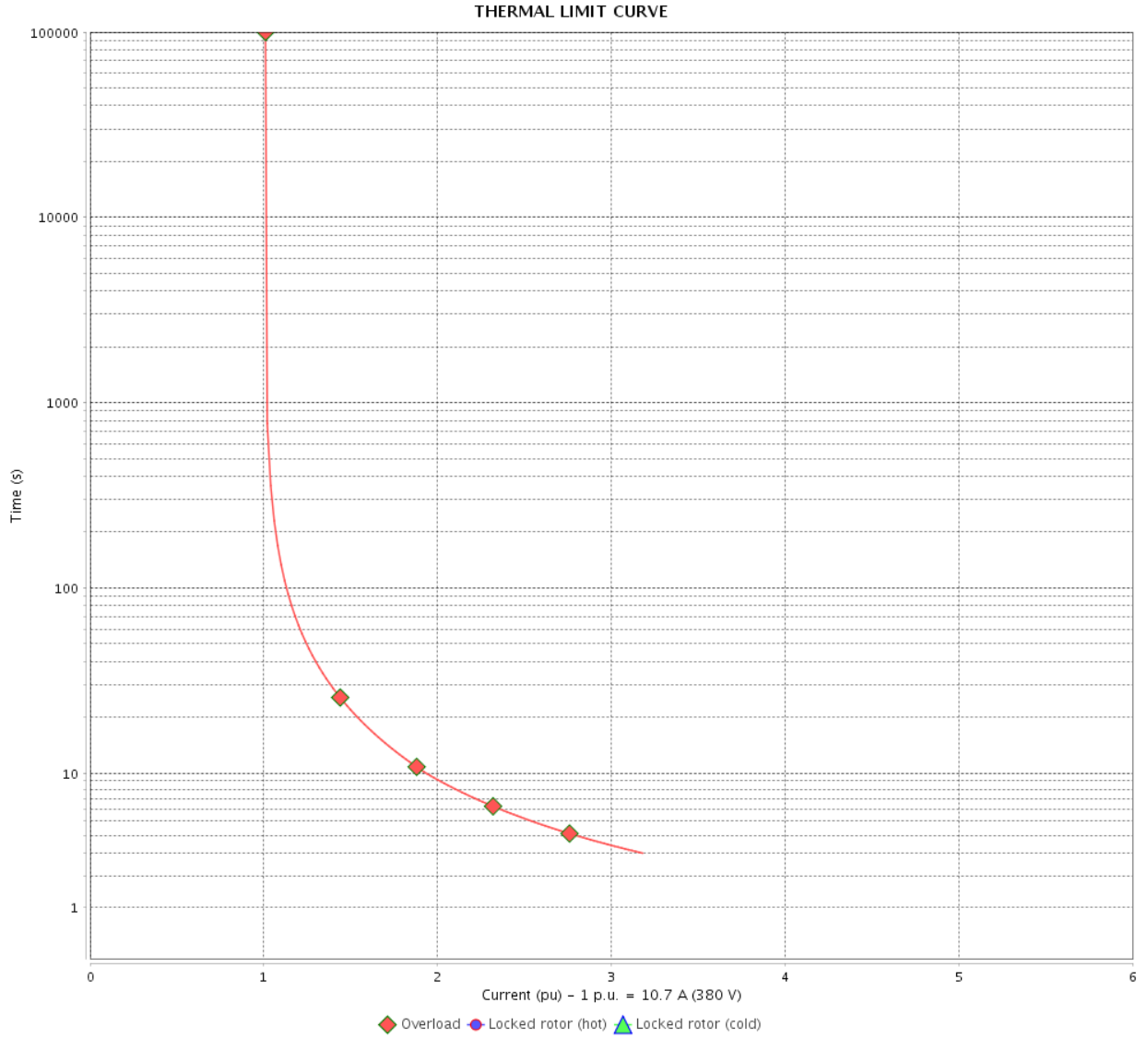
Rev.	Changes Summary	Performed	Checked	Date
Performed by			Page	Revision
Checked by			10 /	
Date	12/04/2022			

# THERMAL LIMIT CURVE

Three Phase Induction Motor - Squirrel Cage



Customer : \_\_\_\_\_



Rev.	Changes Summary	Performed	Checked	Date
Performed by		Page		Revision
Checked by		11 /		
Date		12/04/2022		

# THERMAL LIMIT CURVE



## Three Phase Induction Motor - Squirrel Cage

Customer :

Product line : JM Pump NEMA Premium  
Efficiency Three-Phase

Product code : 12676952

Catalog # : 00736OT3E184JM-S

Performance : 220/415 V 50 Hz 2P

Rated current : 19.2/10.2 A  
LRC : 6.3  
Rated torque : 13.7 ft.lb  
Locked rotor torque : 170 %  
Breakdown torque : 240 %  
Rated speed : 2880 rpm

Moment of inertia (J) : 0.1818 sq.ft.lb  
Duty cycle : Cont.(S1)  
Insulation class : F  
Service factor : 1.00  
Temperature rise : 105 K  
Design : B

Heating constant

Cooling constant

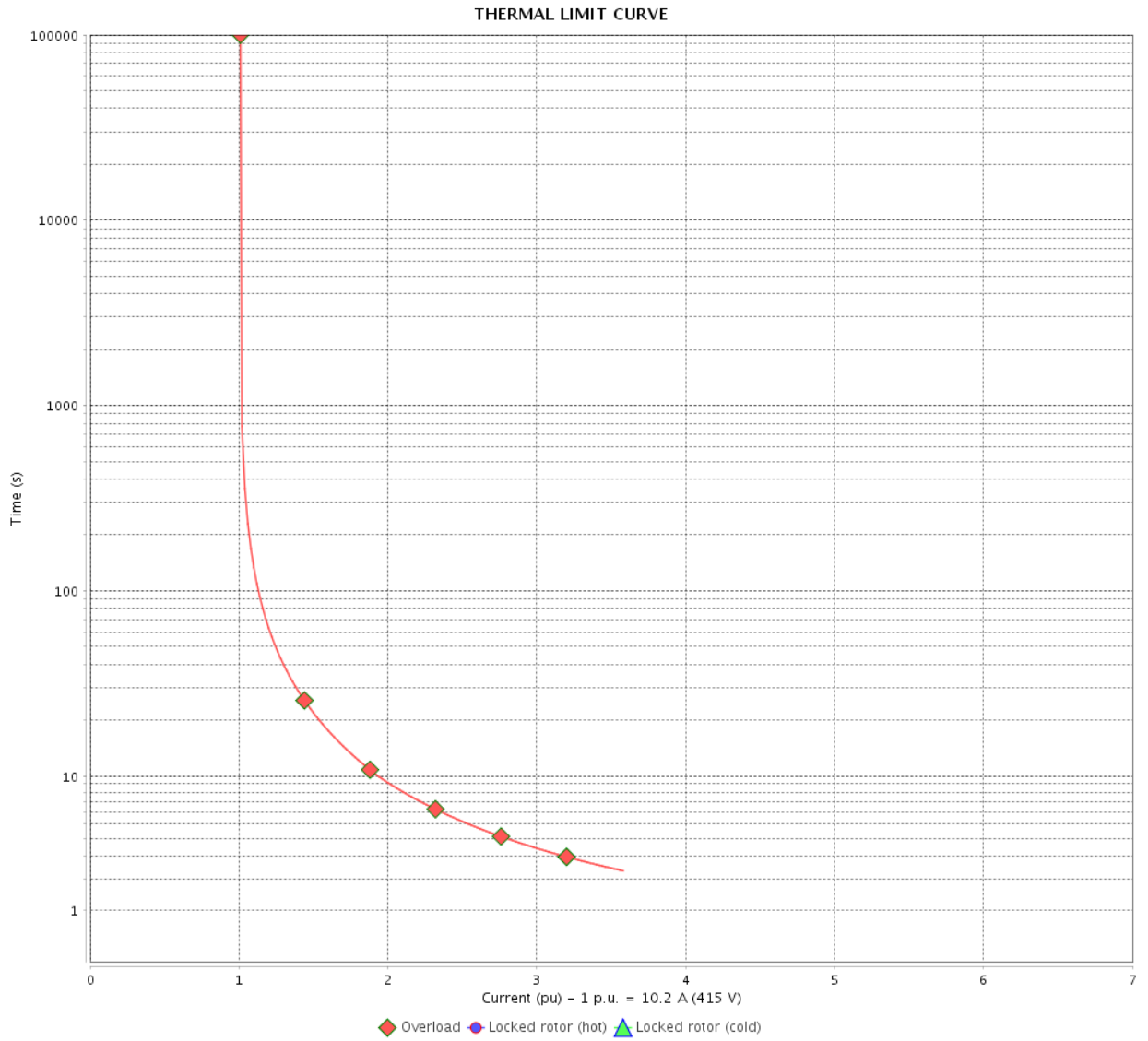
Rev.	Changes Summary	Performed	Checked	Date
Performed by				
Checked by				
Date	12/04/2022		Page 12 /	Revision

# THERMAL LIMIT CURVE

Three Phase Induction Motor - Squirrel Cage



Customer : \_\_\_\_\_



Rev.	Changes Summary	Performed	Checked	Date
Performed by		Page		Revision
Checked by		13 /		
Date		12/04/2022		

# VFD OPERATION CURVE

Three Phase Induction Motor - Squirrel Cage



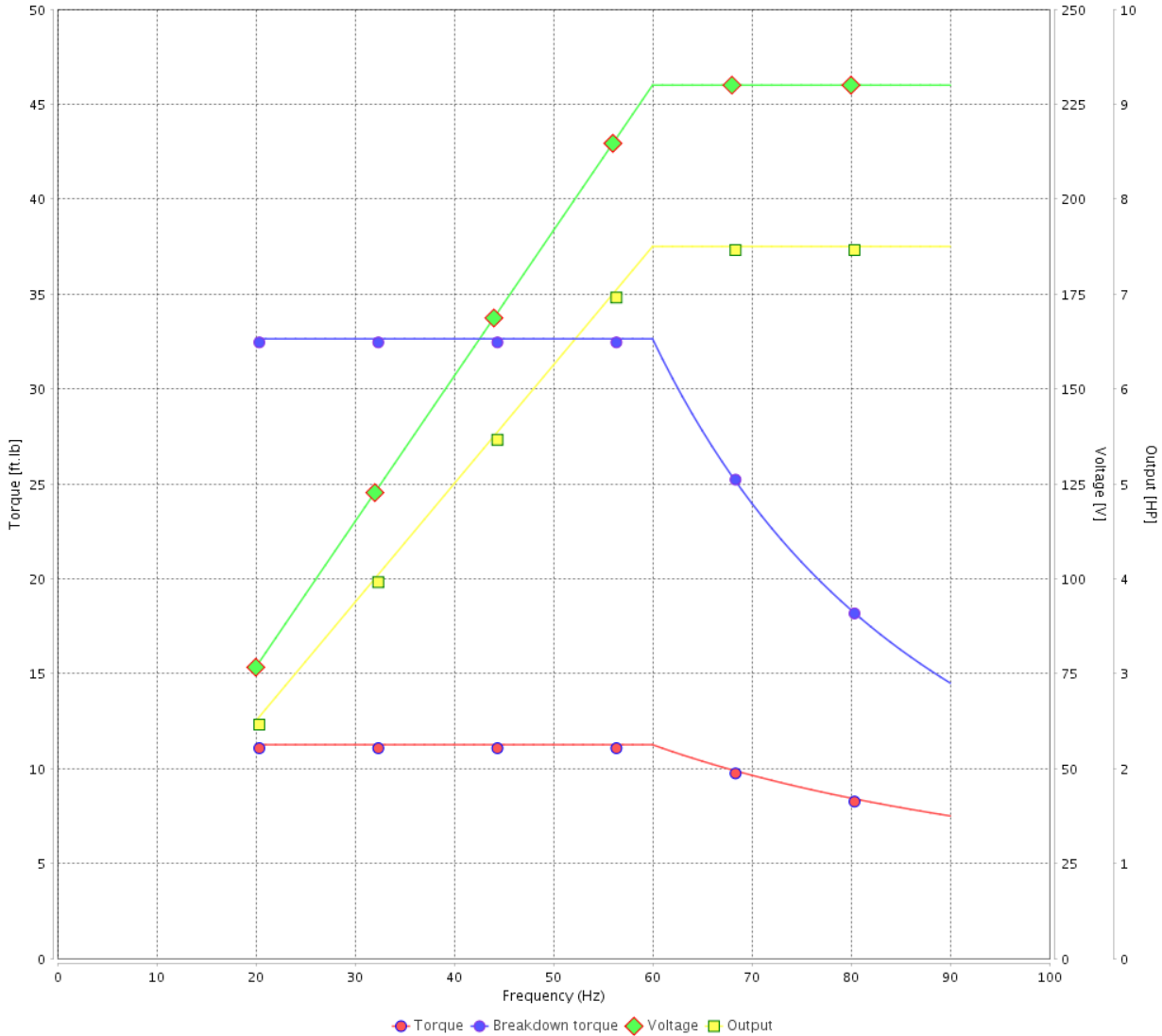
Customer :

Product line : JM Pump NEMA Premium Efficiency Three-Phase

Product code : 12676952

Catalog # : 007360T3E184JM-S

VFD OPERATION CURVE



Performance : 230/460 V 60 Hz 2P

Rated current : 17.3/8.67 A  
 LRC : 7.4  
 Rated torque : 11.3 ft.lb  
 Locked rotor torque : 180 %  
 Breakdown torque : 290 %  
 Rated speed : 3500 rpm

Moment of inertia (J) : 0.1818 sq.ft.lb  
 Duty cycle : Cont.(S1)  
 Insulation class : F  
 Service factor : 1.15  
 Temperature rise : 80 K  
 Design : B

Rev.	Changes Summary	Performed	Checked	Date
Performed by			Page	Revision
Checked by			14 /	
Date	12/04/2022			

1 2 3 4 5 6

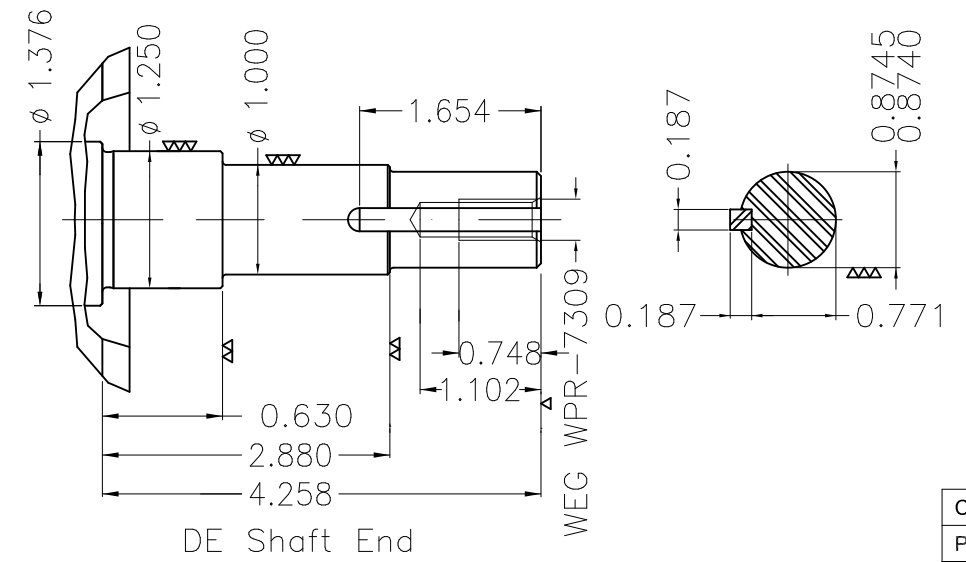
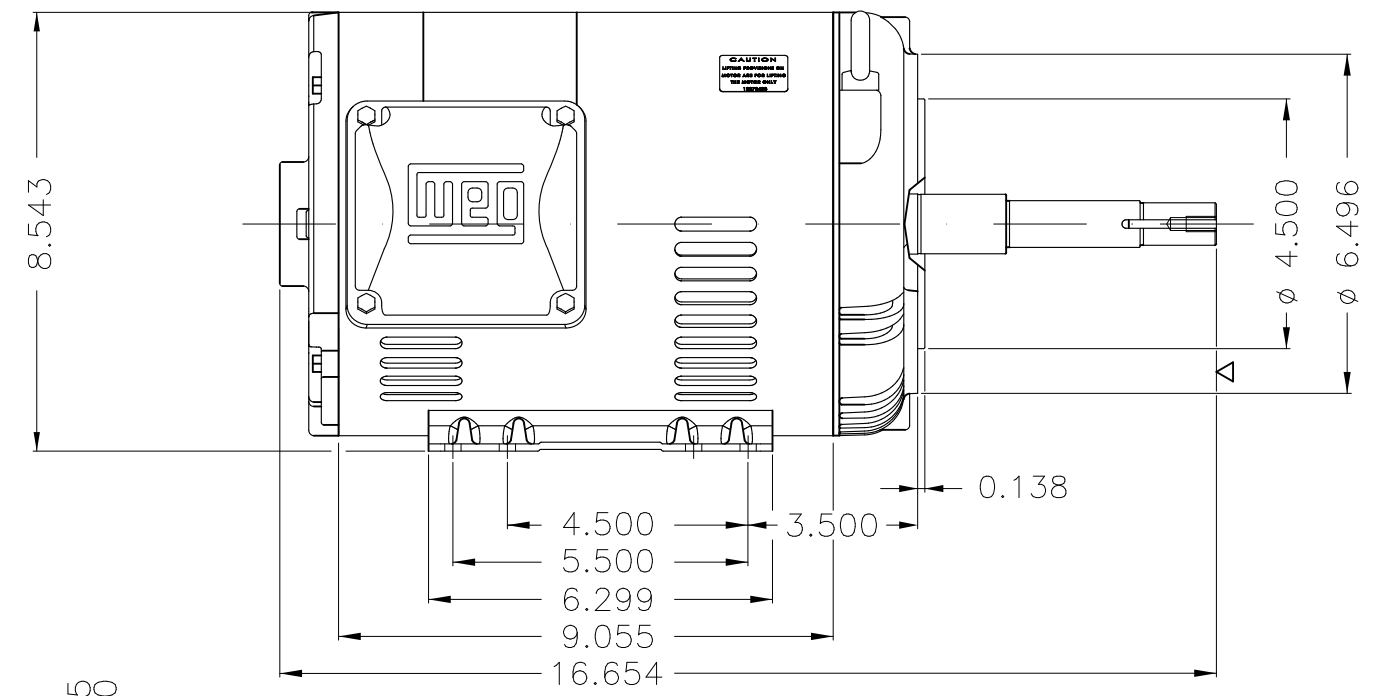
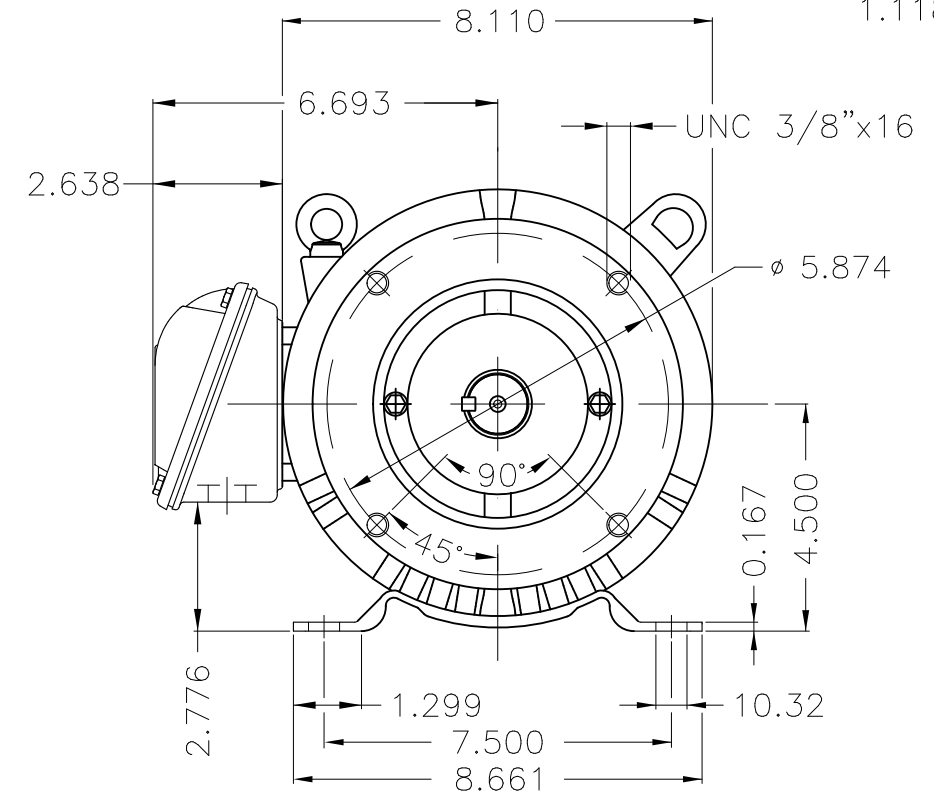
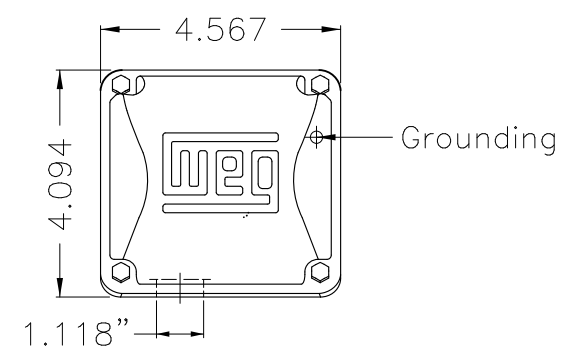
A

B

C

D

E



EUNC 3/8"-16 WEG WPR-7309

DE Shaft End

Color Munsell N 1 matte black  
 Painting plan 207N  
 Mounting F-1/B34R(D)

ECM	LOC	SUMMARY OF MODIFICATIONS	EXECUTED	CHECKED	RELEASED	DATE	VER
EXECUTED	PIRWBUSER	THREE PH. MOTOR ROLLED STEEL CLOSE COUPLED PUMP JN TYPE PSEF 107					
CHECKED		FRAME 182/4JM IP21 ODP					
RELEASED							
REL DT.	WMO	Jaragua do Sul	Product Engineering	WDD	SHEET	1 / 1	

7.5 HP 02 Poles 60 Hz





**NEMA**  
**Premium**



MADE IN MEXICO

**MAT: 12676952 CC029A**

**W01.T00IC0X0N**

**MODEL 007360T3E184JM-S**

**05APR2022 S/N:**

<b>PH 3</b>	<b>Hz 60</b>	<b>HP 7.5</b>
<b>FR 182/4JM</b>		<b>KW 5.5</b>
<b>DUTY CONT.</b>		<b>V 230/460</b>
<b>ALT 1000 m.a.s.l.</b>		<b>A 17.3/8.67</b>
<b>INS CL F AT 80K</b>		<b>SFA 19.9/9.97</b>
<b>AMB 40°C</b>	<b>DES B</b>	<b>SF 1.15</b>
<b>ENCL ODP</b>	<b>CODE H</b>	<b>PF 0.90</b>
<b>USABLE @ 208V 19.2A</b>		<b>RPM 3500</b>
<b>SF1.00</b>		<b>NEMA NOM. EFF 88.5%</b>

**ALTERNATE RATING: 7.5HP 50Hz 190-220/380-415V SF1.00**  
**21.4-18.6/10.7-8.84A 2865RPM EFF 84.7% (IE1) IEC 60034-1**

**Inverter duty motor For 80Hz use on VPWM 1000:1 VT, 3:1 CT**

<b>DE 6207-ZZ</b>	<b>ODE 6205-ZZ</b>	<b>MOBIL POLYREX EM</b>
-------------------	--------------------	-------------------------



T1-BLU T2-WHT  
 T3-ORG T4-YEL  
 T5-BLK T6-GRY  
 T7-PNK T8-RED  
 T9-BRK RED

**INTERCHANGE ANY TWO LINE WIRES TO REVERSE THE ROTATION**

**WARNING:** Motor must be grounded in accordance with local and national electrical codes to prevent serious electrical shocks. Disconnect power source before servicing unit.



**AVERTISSEMENT:** Le moteur doit être mis à la terre conformément aux codes électriques locaux et nationaux afin d'éviter tout choc électrique grave. Déconnectez l'alimentation avant l'entretien de la machine.

