

DATA SHEET

Three Phase Induction Motor - Squirrel Cage



Customer :				
Product line	: JP Pump NEMA Premium Efficiency Three-Phase			
Product code :	12682715			
Catalog # :	00736OT3E184JP-S			
Frame	: 182/4JP			
Insulation class	: F			
Duty cycle	: Cont.(S1)			
Ambient temperature	: -20°C to +40°C			
Altitude	: 1000 m.a.s.l.			
Design	: B			
Cooling method	: IC01 - ODP			
Mounting	: F-1			
Rotation ¹	: Both (CW and CCW)			
Starting method	: Direct On Line			
Approx. weight ²	: 77.6 lb			
Moment of inertia (J)	: 0.1818 sq.ft.lb			
Output [HP]	7.5			
Poles	2			
Frequency [Hz]	60			
Rated voltage [V]	230/460			
Rated current [A]	17.3/8.67			
L. R. Amperes [A]	128/64.2			
LRC [A]	7.4x(Code H)			
No load current [A]	6.43/3.22			
Rated speed [RPM]	3500			
Slip [%]	2.78			
Rated torque [ft.lb]	11.3			
Locked rotor torque [%]	180			
Breakdown torque [%]	290			
Service factor	1.15			
Temperature rise	80 K			
Locked rotor time	18s (cold) 10s (hot)			
Noise level ²	65.0 dB(A)			
Efficiency (%)	25%	88.3		
	50%	88.5		
	75%	88.5		
	100%	88.5		
Power Factor	25%	0.49		
	50%	0.76		
	75%	0.85		
	100%	0.90		
Bearing type	: <u>Drive end</u> 6207 ZZ <u>Non drive end</u> 6205 ZZ			
Sealing	: Without Without Bearing Seal Bearing Seal			
Lubrication interval	: - -			
Lubricant amount	: - -			
Lubricant type	: Mobil Polyrex EM			
Foundation loads	Max. traction : 171 lb Max. compression : 248 lb			
Notes USABLE @208V 19.2A SF 1.00 SFA 19.2A				
This revision replaces and cancel the previous one, which must be eliminated. (1) Looking the motor from the shaft end. (2) Measured at 1m and with tolerance of +3dB(A). (3) Approximate weight subject to changes after manufacturing process. (4) At 100% of full load.				
These are average values based on tests with sinusoidal power supply, subject to the tolerances stipulated in NEMA MG-1.				
Rev.	Changes Summary	Performed	Checked	Date
Performed by				
Checked by			Page	Revision
Date	12/04/2022		1 /	

TORQUE AND CURRENT VS SPEED CURVE

Three Phase Induction Motor - Squirrel Cage



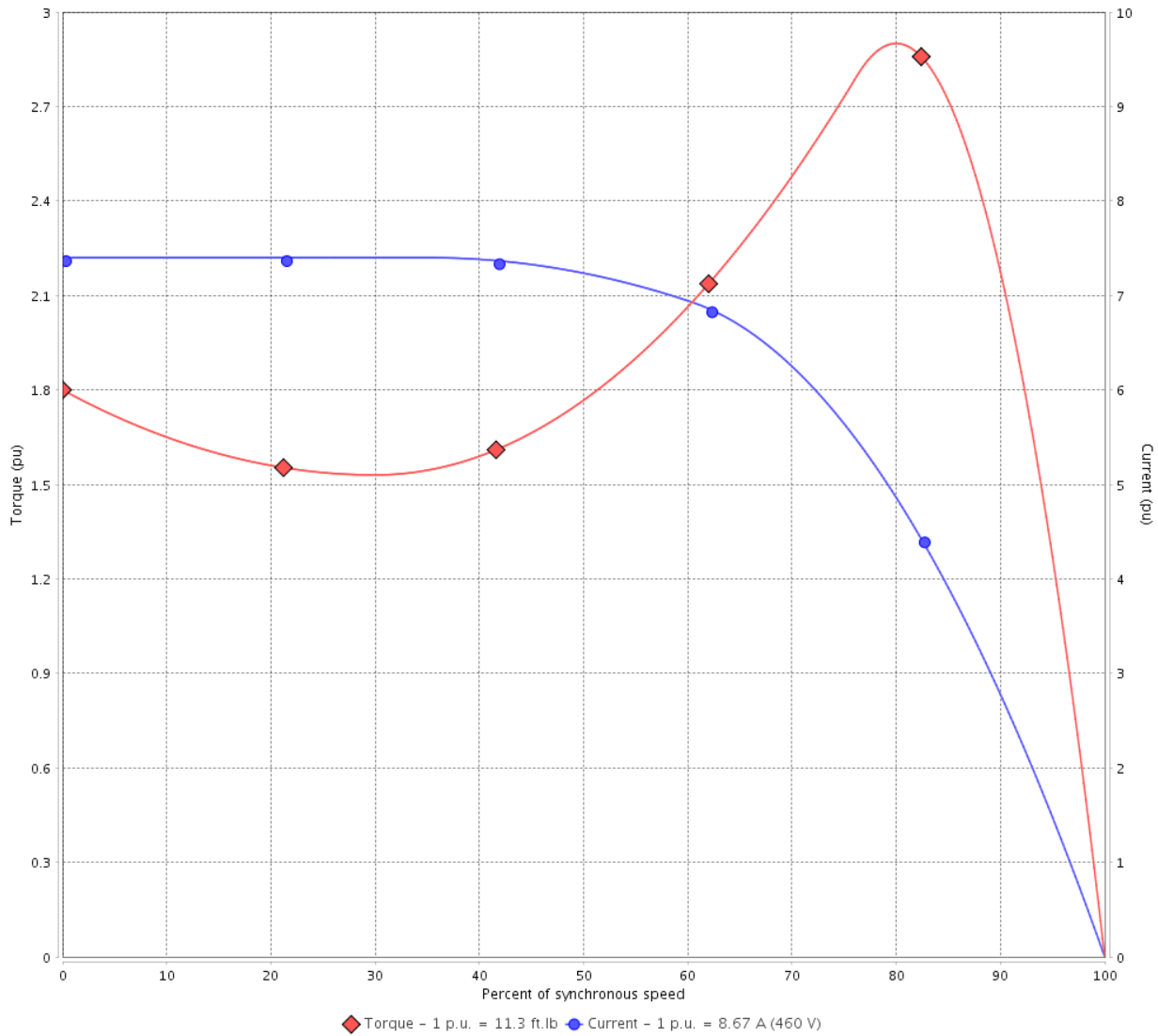
Customer :

Product line : JP Pump NEMA Premium
Efficiency Three-Phase

Product code : 12682715

Catalog # : 007360T3E184JP-S

TORQUE AND CURRENT VS SPEED CURVE



Performance : 230/460 V 60 Hz 2P

Rated current : 17.3/8.67 A
LRC : 7.4
Rated torque : 11.3 ft.lb
Locked rotor torque : 180 %
Breakdown torque : 290 %
Rated speed : 3500 rpm

Moment of inertia (J) : 0.1818 sq.ft.lb
Duty cycle : Cont.(S1)
Insulation class : F
Service factor : 1.15
Temperature rise : 80 K
Design : B

Locked rotor time : 18s (cold) 10s (hot)

Rev.	Changes Summary	Performed	Checked	Date
Performed by			Page 2 /	Revision
Checked by				
Date	12/04/2022			

TORQUE AND CURRENT VS SPEED CURVE



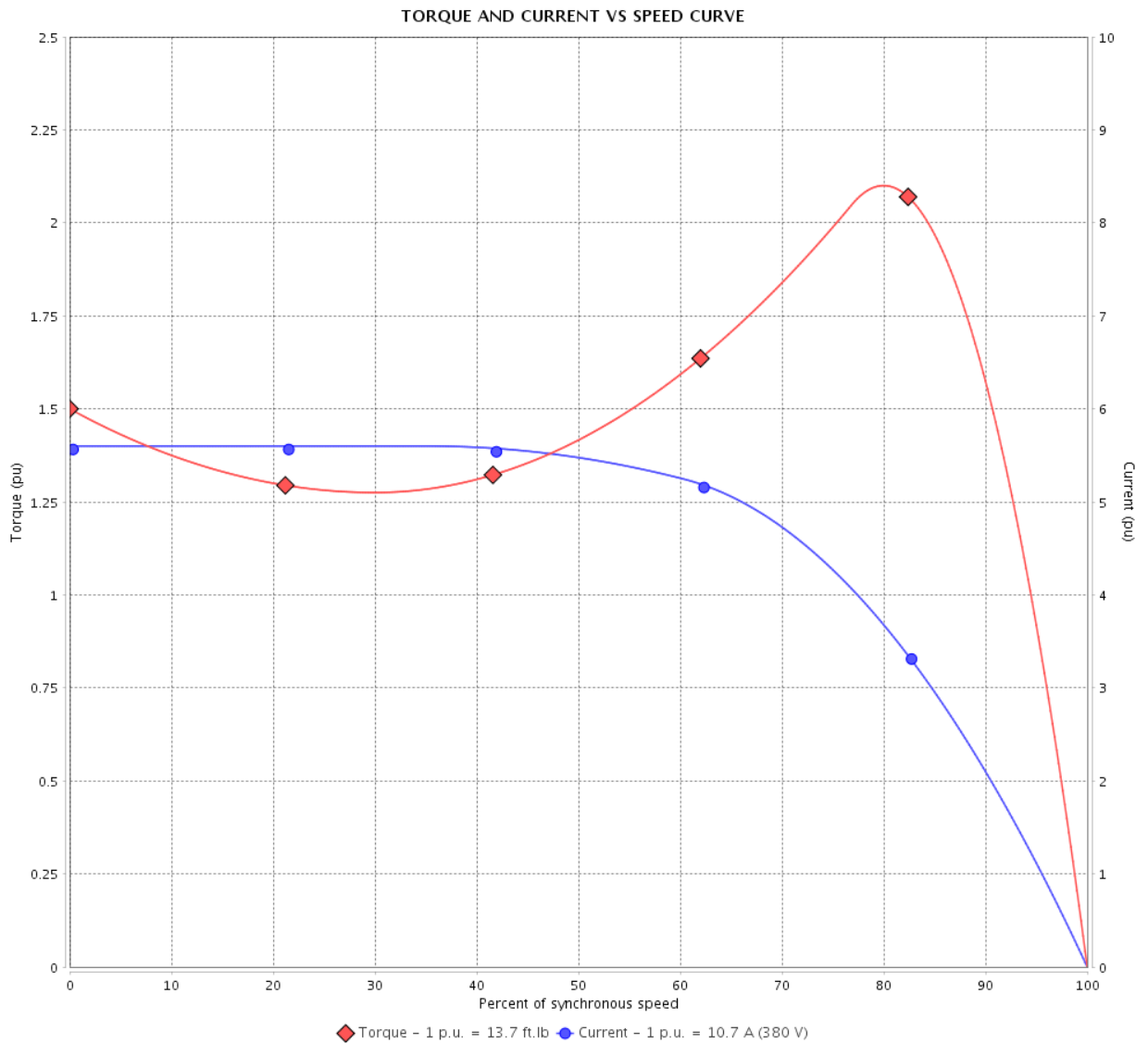
Three Phase Induction Motor - Squirrel Cage

Customer :

Product line : JP Pump NEMA Premium Efficiency Three-Phase

Product code : 12682715

Catalog # : 007360T3E184JP-S



Performance : 190/380 V 50 Hz 2P

Rated current : 21.4/10.7 A
 LRC : 5.6
 Rated torque : 13.7 ft.lb
 Locked rotor torque : 150 %
 Breakdown torque : 210 %
 Rated speed : 2865 rpm

Moment of inertia (J) : 0.1818 sq.ft.lb
 Duty cycle : Cont.(S1)
 Insulation class : F
 Service factor : 1.00
 Temperature rise : 105 K
 Design : B

Locked rotor time : 0s (cold) 0s (hot)

Rev.	Changes Summary	Performed	Checked	Date
Performed by			Page 3 /	Revision
Checked by				
Date	12/04/2022			

TORQUE AND CURRENT VS SPEED CURVE

Three Phase Induction Motor - Squirrel Cage



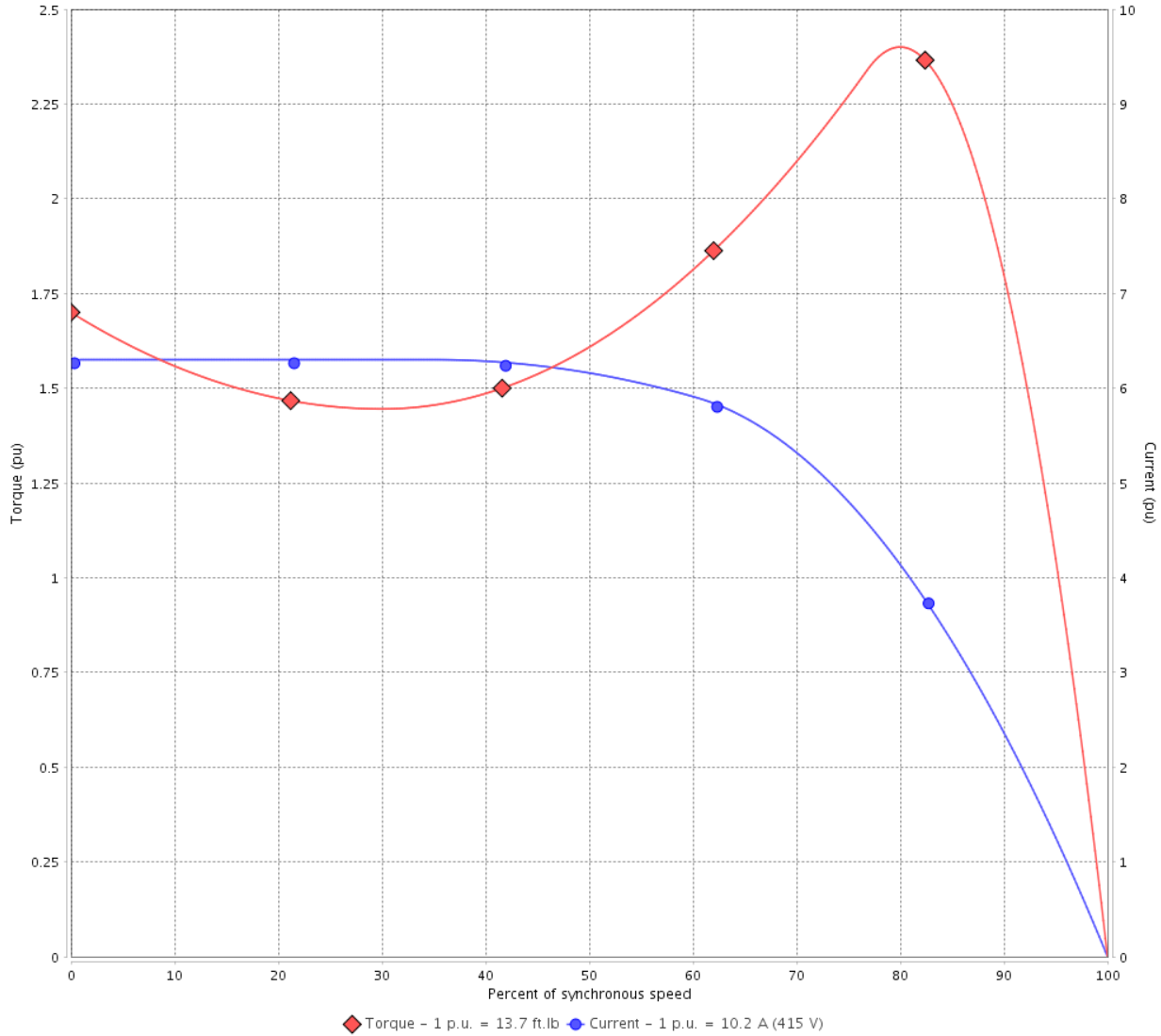
Customer :

Product line : JP Pump NEMA Premium
Efficiency Three-Phase

Product code : 12682715

Catalog # : 007360T3E184JP-S

TORQUE AND CURRENT VS SPEED CURVE



Performance : 220/415 V 50 Hz 2P

Rated current : 19.2/10.2 A
LRC : 6.3
Rated torque : 13.7 ft.lb
Locked rotor torque : 170 %
Breakdown torque : 240 %
Rated speed : 2880 rpm

Moment of inertia (J) : 0.1818 sq.ft.lb
Duty cycle : Cont.(S1)
Insulation class : F
Service factor : 1.00
Temperature rise : 105 K
Design : B

Locked rotor time : 0s (cold) 0s (hot)

Rev.	Changes Summary	Performed	Checked	Date
Performed by			Page 4 /	Revision
Checked by				
Date	12/04/2022			

LOAD PERFORMANCE CURVE

Three Phase Induction Motor - Squirrel Cage

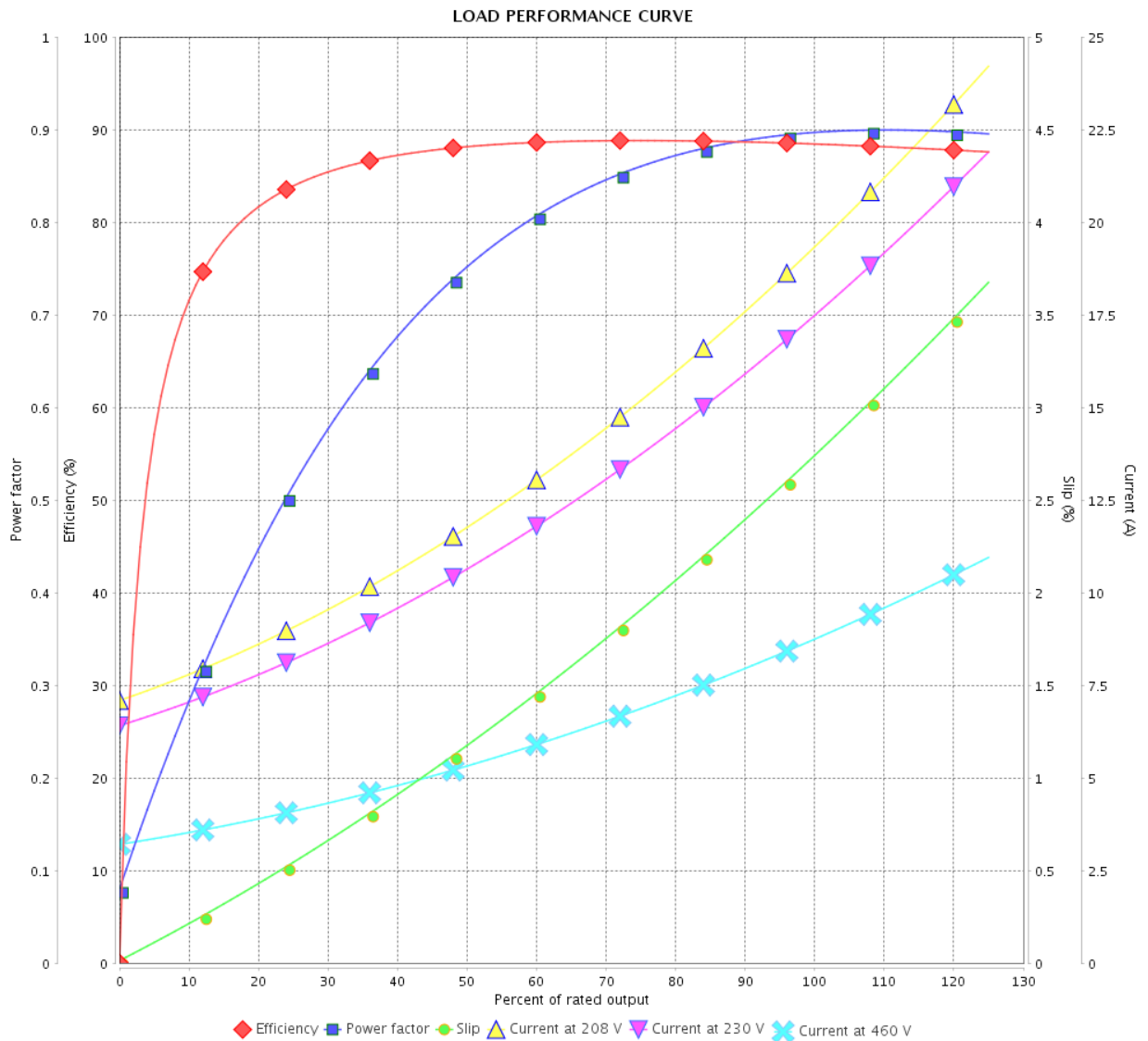


Customer : _____

Product line : JP Pump NEMA Premium
Efficiency Three-Phase

Product code : 12682715

Catalog # : 00736OT3E184JP-S



Performance : 230/460 V 60 Hz 2P

Rated current : 17.3/8.67 A
 LRC : 7.4
 Rated torque : 11.3 ft.lb
 Locked rotor torque : 180 %
 Breakdown torque : 290 %
 Rated speed : 3500 rpm

Moment of inertia (J) : 0.1818 sq.ft.lb
 Duty cycle : Cont.(S1)
 Insulation class : F
 Service factor : 1.15
 Temperature rise : 80 K
 Design : B

Rev.	Changes Summary	Performed	Checked	Date
Performed by		Page		Revision
Checked by		5 /		
Date		12/04/2022		

LOAD PERFORMANCE CURVE

Three Phase Induction Motor - Squirrel Cage



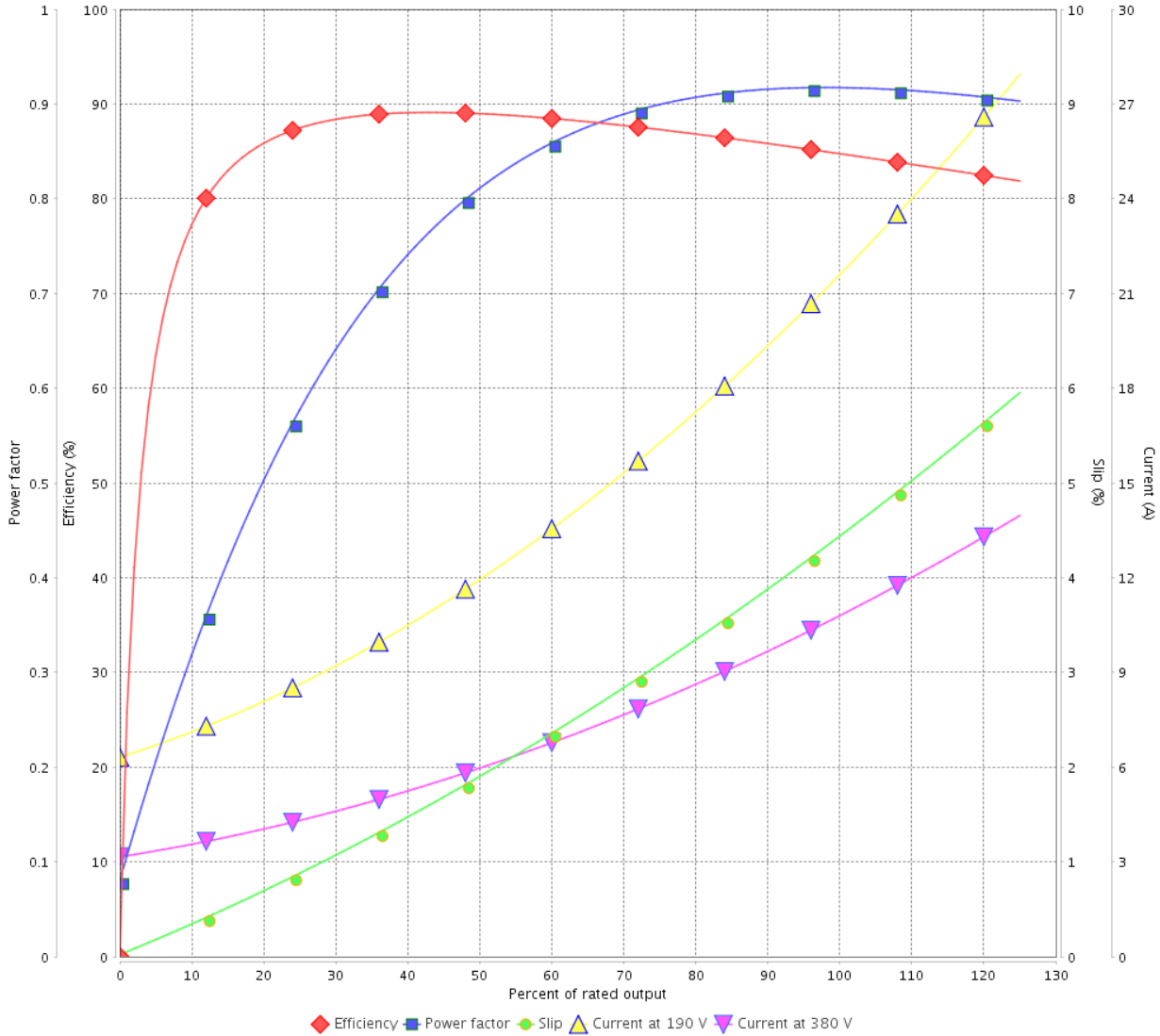
Customer :

Product line : JP Pump NEMA Premium
Efficiency Three-Phase

Product code : 12682715

Catalog # : 007360T3E184JP-S

LOAD PERFORMANCE CURVE



Performance : 190/380 V 50 Hz 2P

Rated current : 21.4/10.7 A
LRC : 5.6
Rated torque : 13.7 ft.lb
Locked rotor torque : 150 %
Breakdown torque : 210 %
Rated speed : 2865 rpm

Moment of inertia (J) : 0.1818 sq.ft.lb
Duty cycle : Cont.(S1)
Insulation class : F
Service factor : 1.00
Temperature rise : 105 K
Design : B

Rev.	Changes Summary	Performed	Checked	Date
Performed by			Page	Revision
Checked by			6 /	
Date	12/04/2022			

LOAD PERFORMANCE CURVE

Three Phase Induction Motor - Squirrel Cage

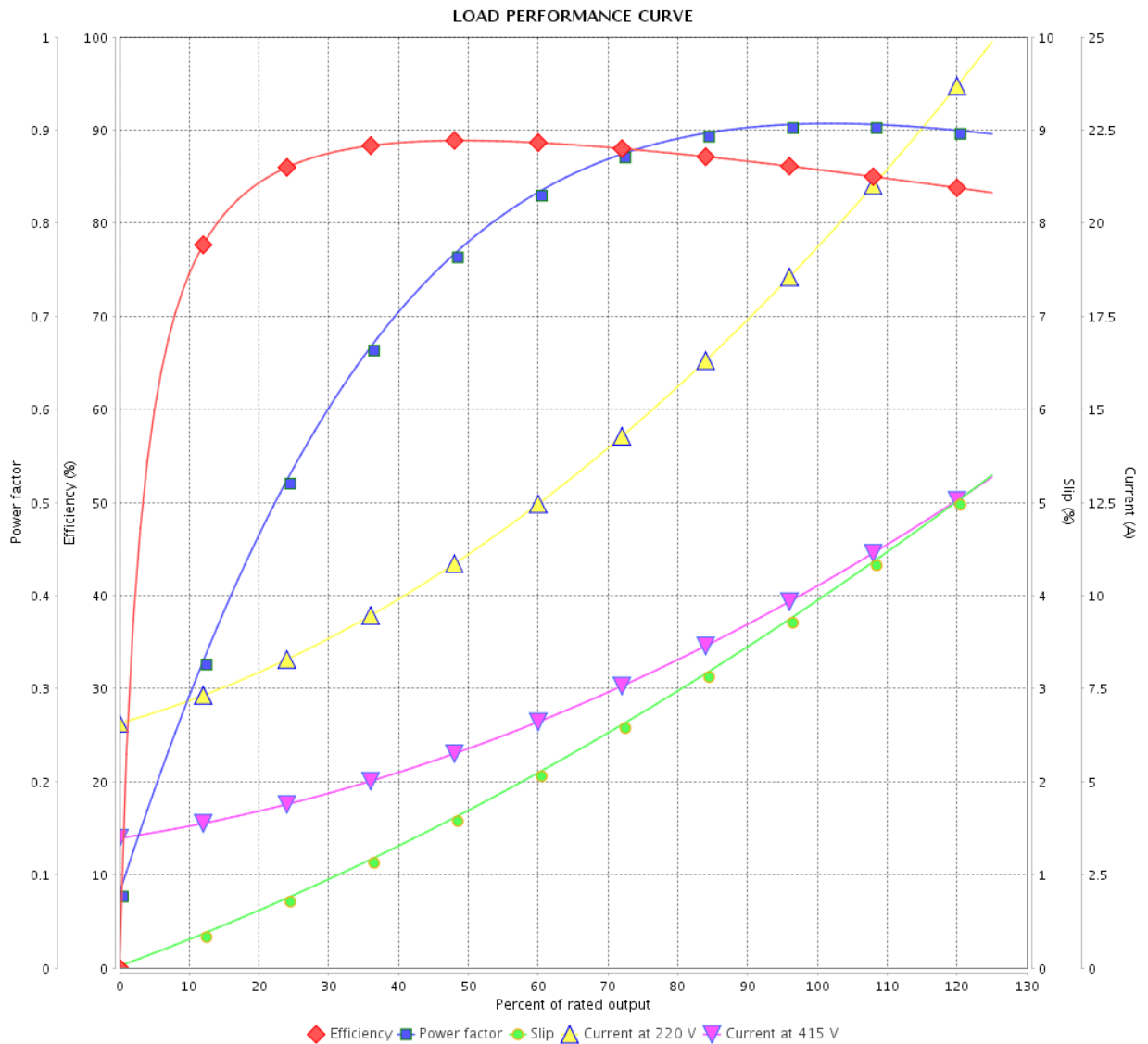


Customer :

Product line : JP Pump NEMA Premium
Efficiency Three-Phase

Product code : 12682715

Catalog # : 00736OT3E184JP-S



Performance : 220/415 V 50 Hz 2P

Rated current : 19.2/10.2 A
 LRC : 6.3
 Rated torque : 13.7 ft.lb
 Locked rotor torque : 170 %
 Breakdown torque : 240 %
 Rated speed : 2880 rpm

Moment of inertia (J) : 0.1818 sq.ft.lb
 Duty cycle : Cont.(S1)
 Insulation class : F
 Service factor : 1.00
 Temperature rise : 105 K
 Design : B

Rev.	Changes Summary	Performed	Checked	Date
Performed by		Page		Revision
Checked by		7 /		
Date		12/04/2022		

THERMAL LIMIT CURVE



Three Phase Induction Motor - Squirrel Cage

Customer :

Product line : JP Pump NEMA Premium
Efficiency Three-Phase

Product code : 12682715

Catalog # : 00736OT3E184JP-S

Performance : 230/460 V 60 Hz 2P

Rated current : 17.3/8.67 A
LRC : 7.4
Rated torque : 11.3 ft.lb
Locked rotor torque : 180 %
Breakdown torque : 290 %
Rated speed : 3500 rpm

Moment of inertia (J) : 0.1818 sq.ft.lb
Duty cycle : Cont.(S1)
Insulation class : F
Service factor : 1.15
Temperature rise : 80 K
Design : B

Heating constant

Cooling constant

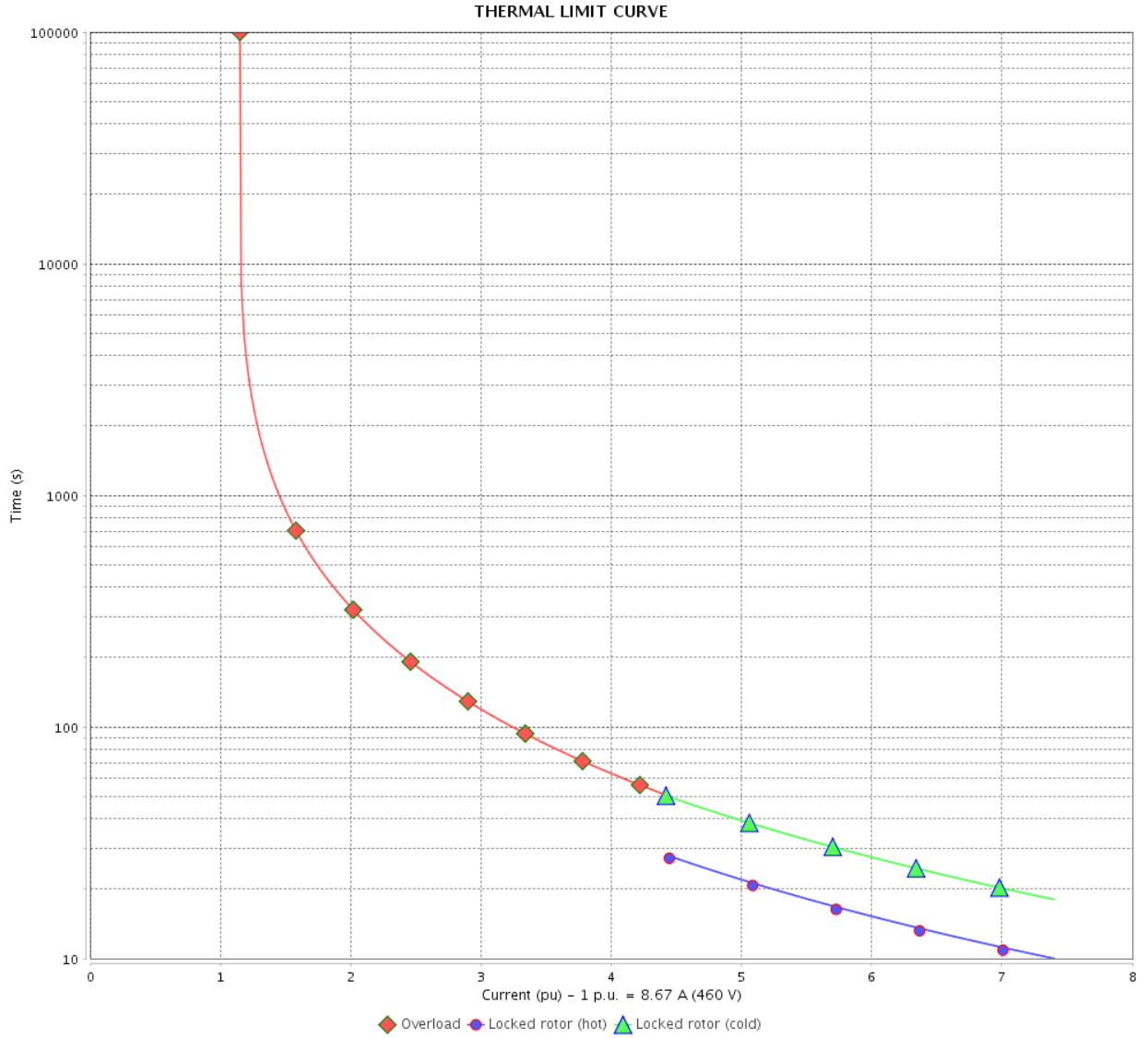
Rev.	Changes Summary	Performed	Checked	Date
Performed by				
Checked by			Page	Revision
Date	12/04/2022		8 /	

THERMAL LIMIT CURVE

Three Phase Induction Motor - Squirrel Cage



Customer : _____



Rev.	Changes Summary	Performed	Checked	Date
Performed by		Page		Revision
Checked by		9 /		
Date		12/04/2022		

THERMAL LIMIT CURVE



Three Phase Induction Motor - Squirrel Cage

Customer :

Product line : JP Pump NEMA Premium
Efficiency Three-Phase

Product code : 12682715

Catalog # : 00736OT3E184JP-S

Performance : 190/380 V 50 Hz 2P

Rated current : 21.4/10.7 A
LRC : 5.6
Rated torque : 13.7 ft.lb
Locked rotor torque : 150 %
Breakdown torque : 210 %
Rated speed : 2865 rpm

Moment of inertia (J) : 0.1818 sq.ft.lb
Duty cycle : Cont.(S1)
Insulation class : F
Service factor : 1.00
Temperature rise : 105 K
Design : B

Heating constant

Cooling constant

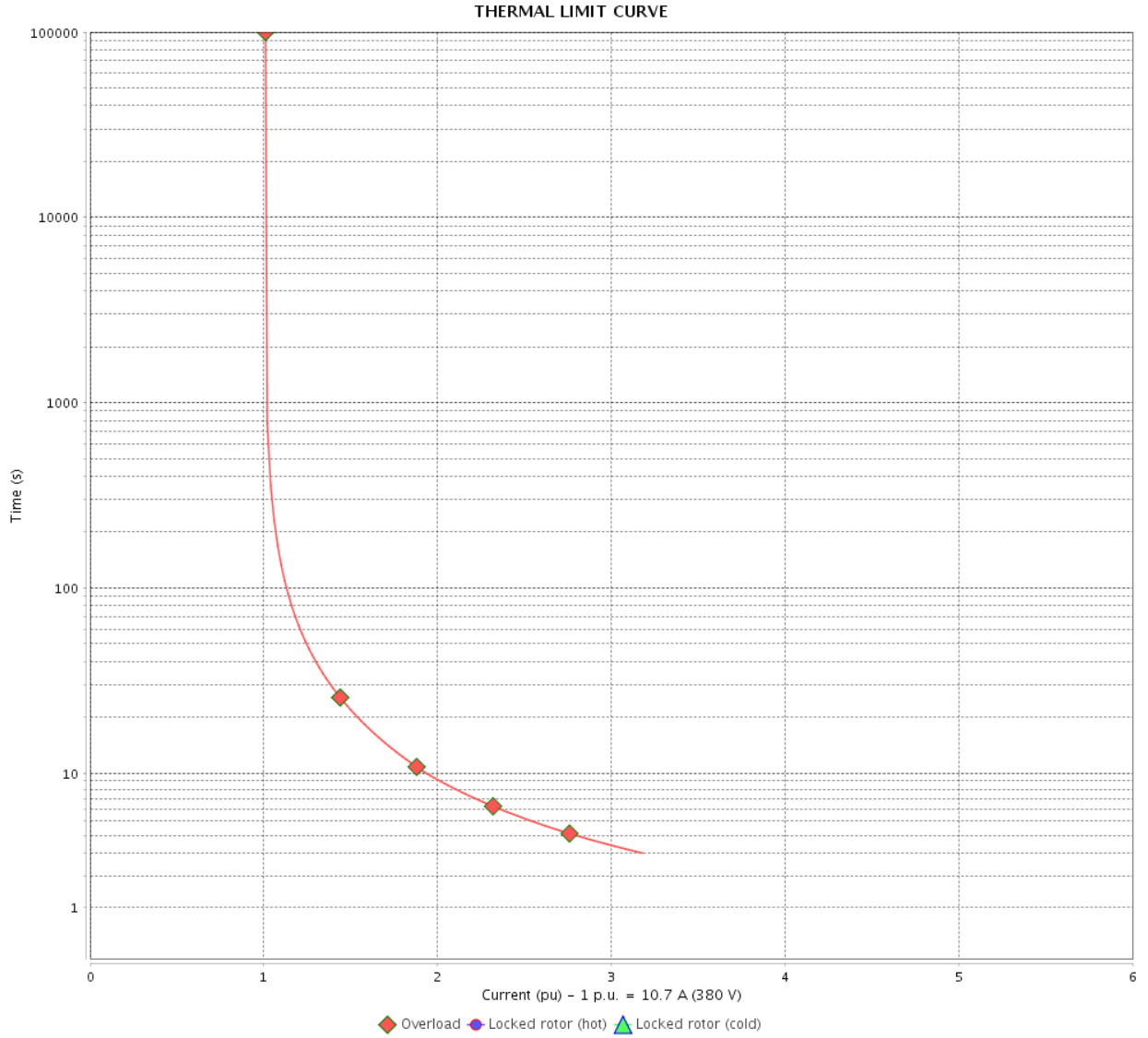
Rev.	Changes Summary	Performed	Checked	Date
Performed by				
Checked by				
Date	12/04/2022		Page 10 /	Revision

THERMAL LIMIT CURVE

Three Phase Induction Motor - Squirrel Cage



Customer : _____



Rev.	Changes Summary	Performed	Checked	Date
Performed by		Page		Revision
Checked by		11 /		
Date		12/04/2022		

THERMAL LIMIT CURVE



Three Phase Induction Motor - Squirrel Cage

Customer :

Product line : JP Pump NEMA Premium
Efficiency Three-Phase

Product code : 12682715

Catalog # : 00736OT3E184JP-S

Performance : 220/415 V 50 Hz 2P

Rated current : 19.2/10.2 A
LRC : 6.3
Rated torque : 13.7 ft.lb
Locked rotor torque : 170 %
Breakdown torque : 240 %
Rated speed : 2880 rpm

Moment of inertia (J) : 0.1818 sq.ft.lb
Duty cycle : Cont.(S1)
Insulation class : F
Service factor : 1.00
Temperature rise : 105 K
Design : B

Heating constant

Cooling constant

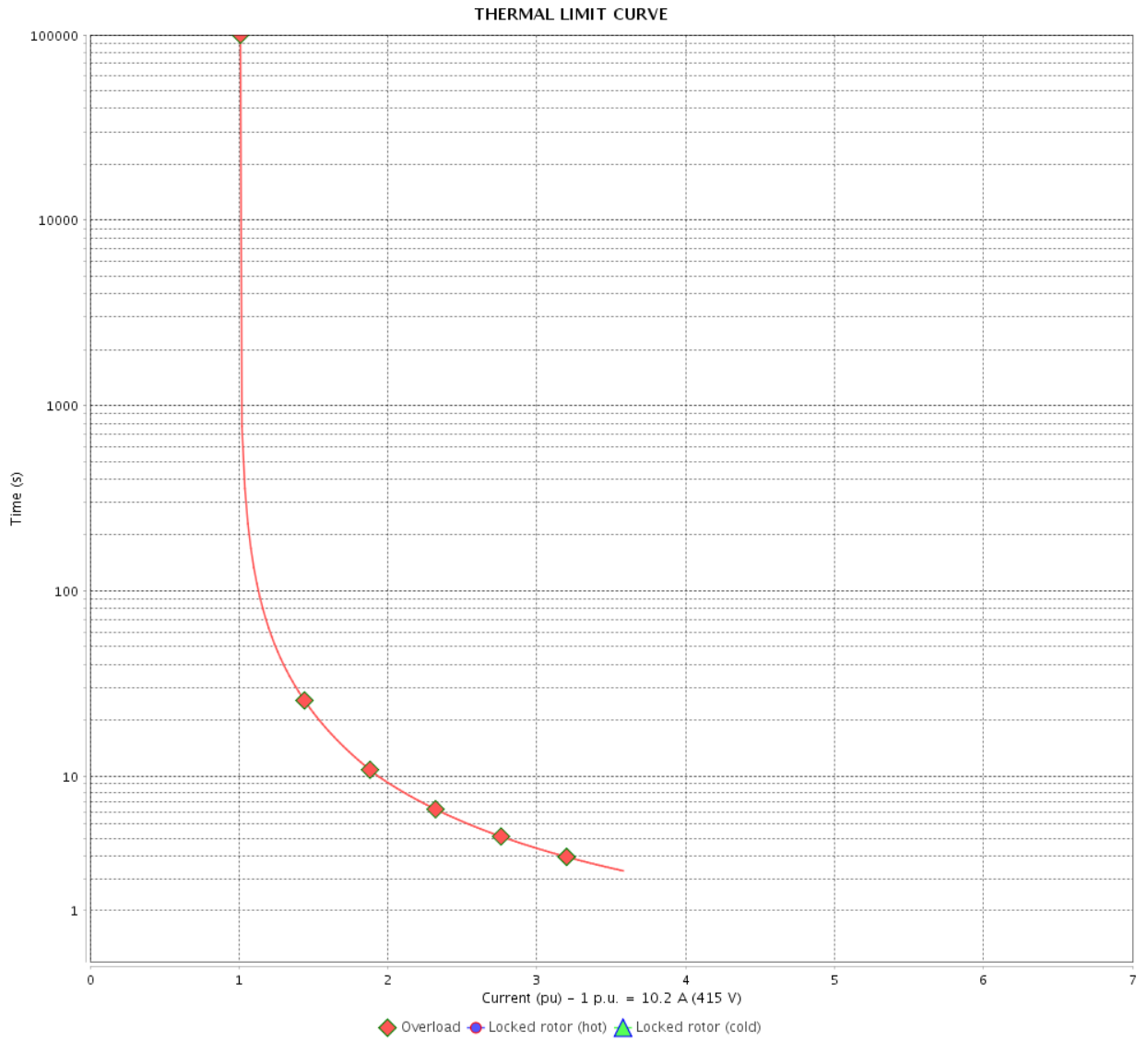
Rev.	Changes Summary	Performed	Checked	Date
Performed by				
Checked by			Page	Revision
Date	12/04/2022		12 /	

THERMAL LIMIT CURVE

Three Phase Induction Motor - Squirrel Cage



Customer : _____



Rev.	Changes Summary	Performed	Checked	Date
Performed by		Page		Revision
Checked by		13 /		
Date		12/04/2022		

VFD OPERATION CURVE

Three Phase Induction Motor - Squirrel Cage



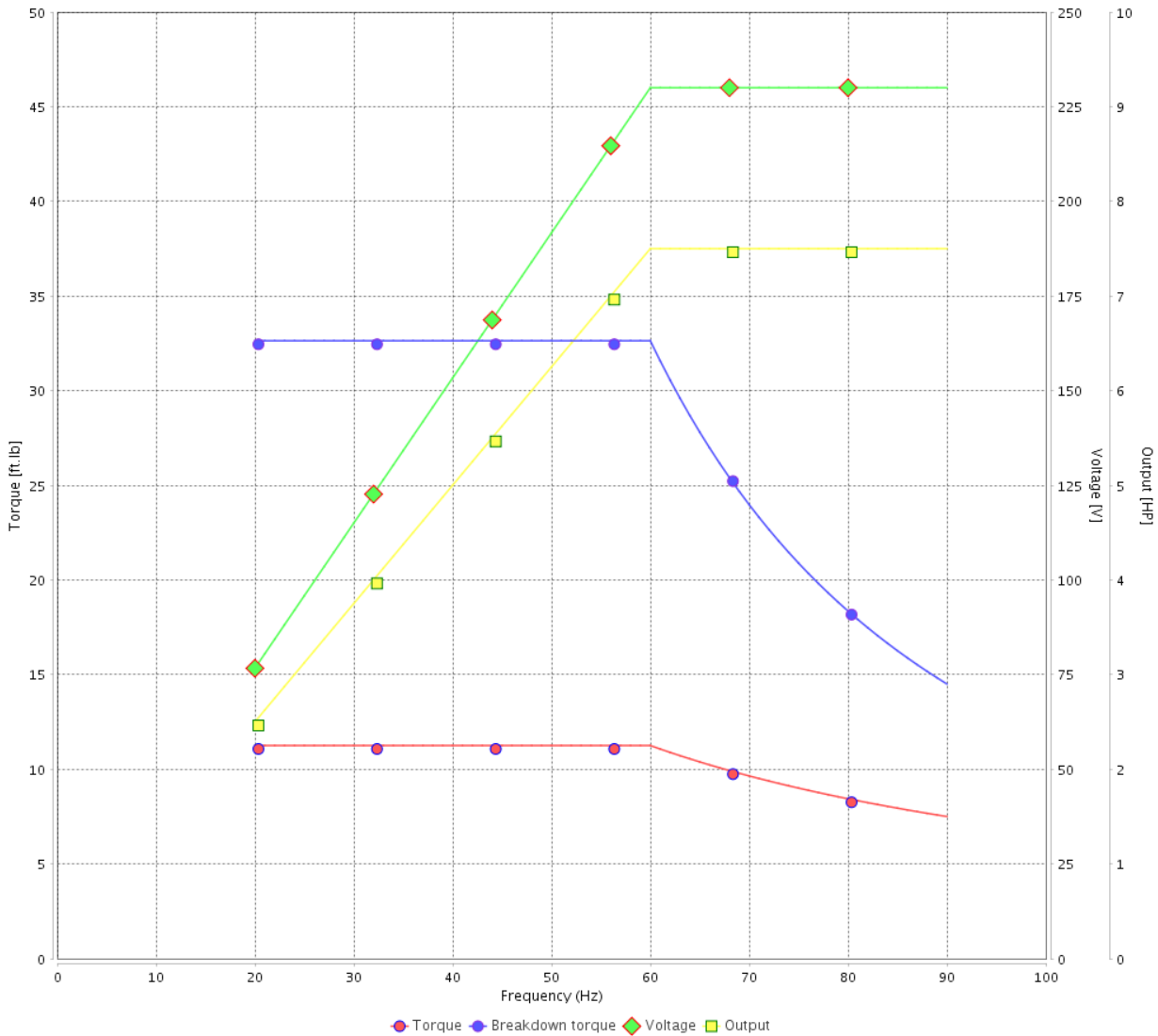
Customer :

Product line : JP Pump NEMA Premium Efficiency Three-Phase

Product code : 12682715

Catalog # : 007360T3E184JP-S

VFD OPERATION CURVE



Performance : 230/460 V 60 Hz 2P

Rated current : 17.3/8.67 A
 LRC : 7.4
 Rated torque : 11.3 ft.lb
 Locked rotor torque : 180 %
 Breakdown torque : 290 %
 Rated speed : 3500 rpm

Moment of inertia (J) : 0.1818 sq.ft.lb
 Duty cycle : Cont.(S1)
 Insulation class : F
 Service factor : 1.15
 Temperature rise : 80 K
 Design : B

Rev.	Changes Summary	Performed	Checked	Date
Performed by			Page	Revision
Checked by				
Date				

1 2 3 4 5 6

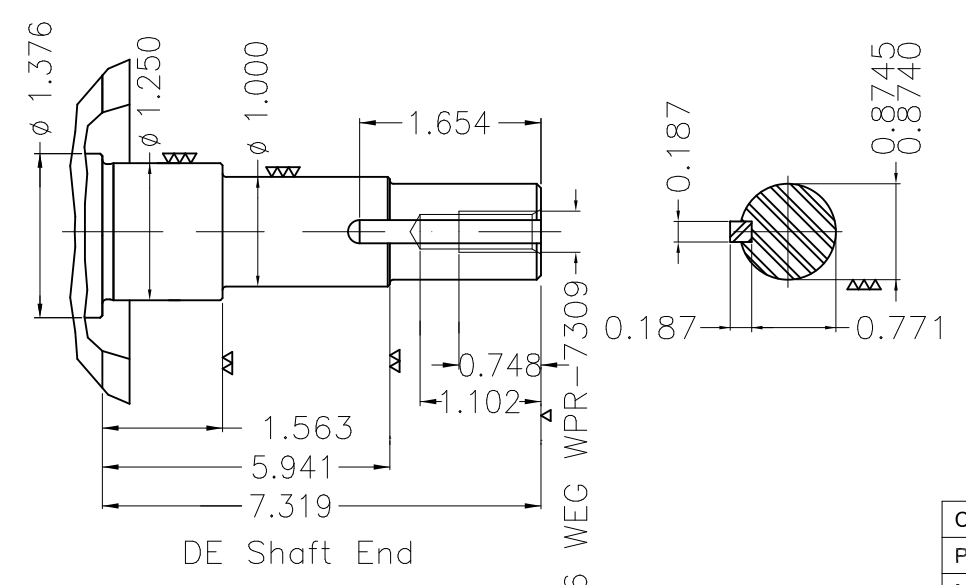
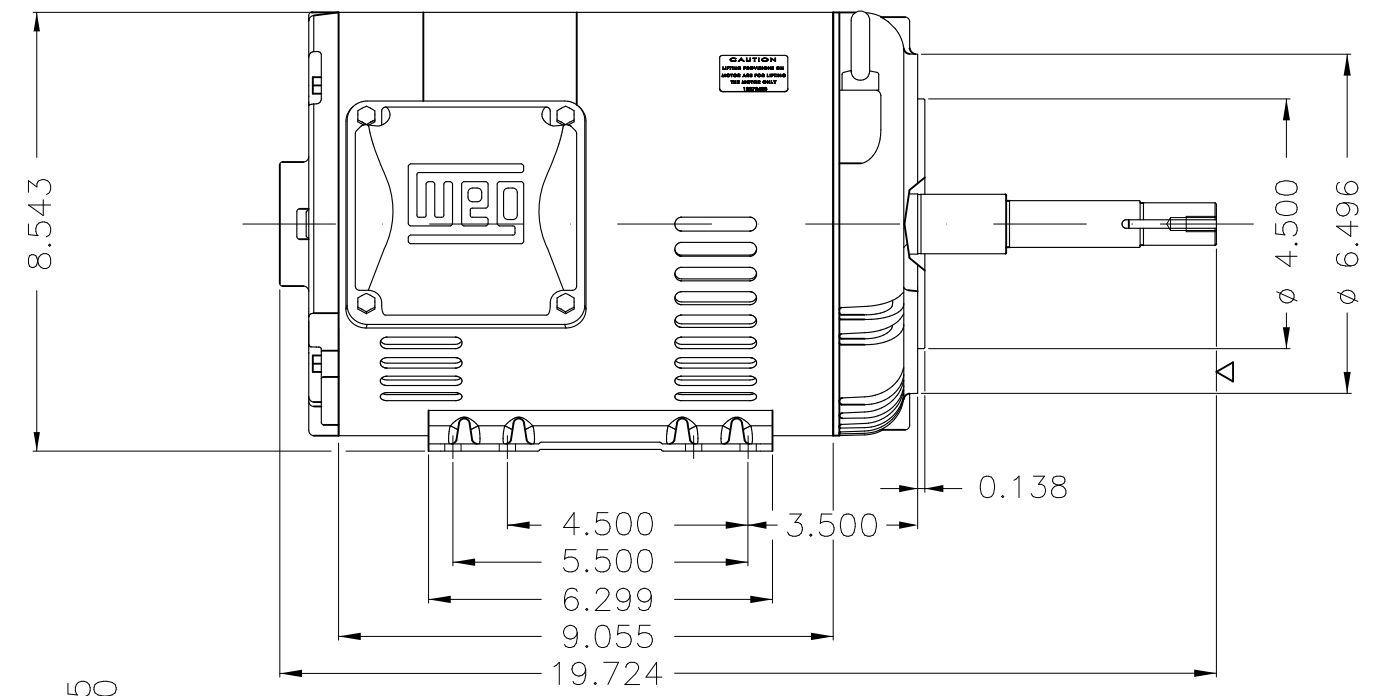
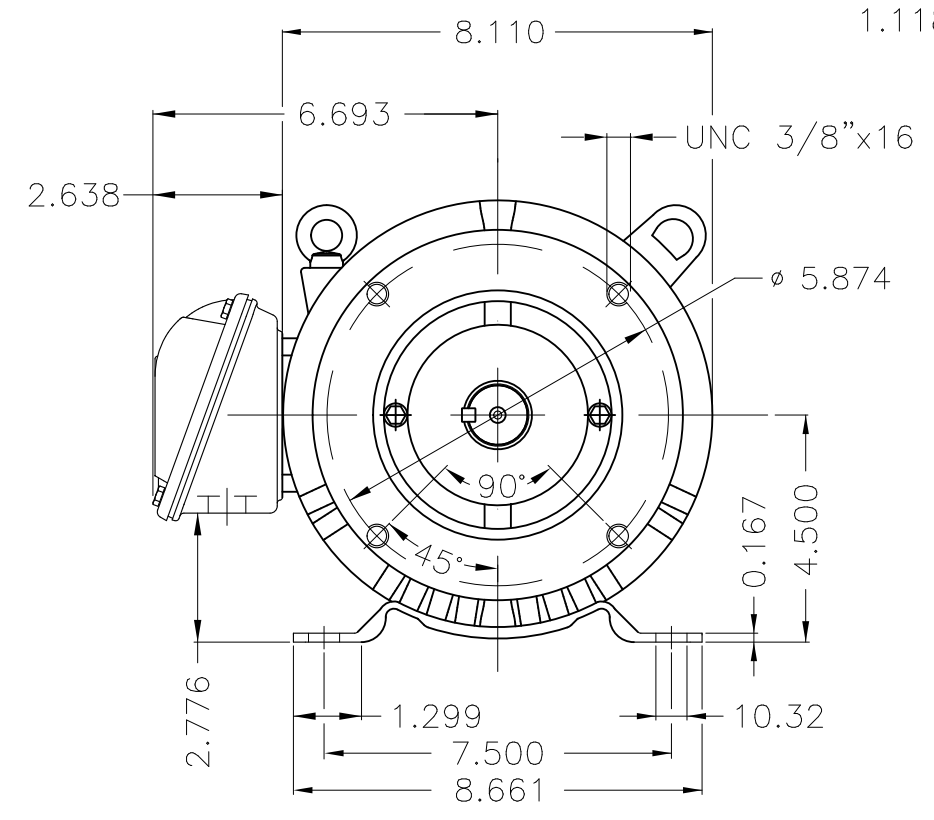
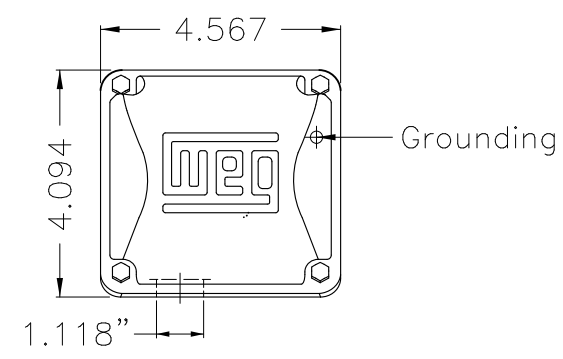
A

B

C

D

E



EUNC 3/8"-16 WEG WPR-7309

Color Munsell N 1 matte black
 Painting plan 207N
 Mounting F-1/B34R(D)

ECM	LOC	SUMMARY OF MODIFICATIONS	EXECUTED	CHECKED	RELEASED	DATE	VER
EXECUTED	PIRWBUSER	THREE PH. MOTOR ROLLED STEEL CLOSE COUPLED PUMP JP 3/4 DE PREM LFA					
CHECKED		FRAME 182/4JP IP21 ODP					
RELEASED							
REL DT.	WMO	Jaragua do Sul	Product Engineering	WDD	SHEET	1 / 1	

7.5 HP 02 Poles 60 Hz



**NEMA**
Premium

MADE IN MEXICO

MAT: 12682715 CC029A

W01.T00IC0X0N

MODEL 007360T3E184JP-S

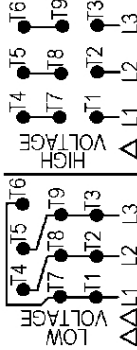
05JAN2022 S/N:

PH 3	Hz 60	HP 7.5
FR 182/4JP		KW 5.5
DUTY CONT.		V 230/460
ALT 1000 m.a.s.l.		A 17.3/8.67
INS CL F AT 80K		SFA 19.9/9.97
AMB 40°C	DES B	SF 1.15
ENCL ODP	CODE H	PF 0.90
USABLE @ 208V 19.2A		RPM 3500
SF1.00		NEMA NOM. EFF 88.5%

ALTERNATE RATING: 7.5HP 50Hz 190-220/380-415V SF1.00
 21.4-18.6/10.7-8.84A 2865RPM EFF 84.7% (IE1) IEC 60034-1

Inverter duty motor For 80Hz use on VPWM 1000:1 VT, 3:1 CT

DE 6207-ZZ	ODE 6205-ZZ	MOBIL POLYREX EM
------------	-------------	------------------



T1-BLU T2-WHT
 T3-ORG T4-YEL
 T5-BLK T6-GRY
 T7-PNK T8-RED
 T9-BRK RED

INTERCHANGE ANY TWO LINE WIRES TO REVERSE THE ROTATION



WARNING: Motor must be grounded in accordance with local and national electrical codes to prevent serious electrical shocks. Disconnect power source before servicing unit.

AVERTISSEMENT: Le moteur doit être mis à la terre conformément aux codes électriques locaux et nationaux afin d'éviter tout choc électrique grave. Déconnectez l'alimentation avant l'entretien de la machine.

