

# DATA SHEET

## Three Phase Induction Motor - Squirrel Cage



Customer :				
Product line	: JP Pump NEMA Premium Efficiency Three-Phase	Product code :	13482794	
		Catalog # :	00736OT3E184JPV-S	
Frame	: 182/4JP	Cooling method	: IC01 - ODP	
Insulation class	: F	Mounting	: W-6	
Duty cycle	: Cont.(S1)	Rotation <sup>1</sup>	: Both (CW and CCW)	
Ambient temperature	: -20°C to +40°C	Starting method	: Direct On Line	
Altitude	: 1000 m.a.s.l.	Approx. weight <sup>2</sup>	: 75.9 lb	
Design	: B	Moment of inertia (J)	: 0.1818 sq.ft.lb	
Output [HP]	7.5	7.5	7.5	
Poles	2	2	2	
Frequency [Hz]	60	50	50	
Rated voltage [V]	230/460	190/380	220/415	
Rated current [A]	17.3/8.67	21.4/10.7	19.2/10.2	
L. R. Amperes [A]	128/64.2	120/59.9	121/64.3	
LRC [A]	7.4x(Code H)	5.6x(Code F)	6.3x(Code G)	
No load current [A]	6.43/3.22	6.33/3.17	6.59/3.49	
Rated speed [RPM]	3500	2865	2880	
Slip [%]	2.78	4.50	4.00	
Rated torque [ft.lb]	11.3	13.7	13.7	
Locked rotor torque [%]	180	150	170	
Breakdown torque [%]	290	210	240	
Service factor	1.15	1.00	1.00	
Temperature rise	80 K	105 K	105 K	
Locked rotor time	18s (cold) 10s (hot)	0s (cold) 0s (hot)	0s (cold) 0s (hot)	
Noise level <sup>2</sup>	65.0 dB(A)	63.0 dB(A)	63.0 dB(A)	
Efficiency (%)	25%	88.3	90.6	
	50%	88.5	88.8	
	75%	88.5	87.9	
	100%	88.5	85.7	
Power Factor	25%	0.49	0.51	
	50%	0.76	0.79	
	75%	0.85	0.87	
	100%	0.90	0.91	
Bearing type	: <u>Drive end</u> 6207 ZZ <u>Non drive end</u> 6205 ZZ	Foundation loads		
Sealing	: Without Without Bearing Seal Bearing Seal	Max. traction	: 172 lb	
		Max. compression	: 247 lb	
Lubrication interval	: - -			
Lubricant amount	: - -			
Lubricant type	: Mobil Polyrex EM			
Notes USABLE @208V 19.2A SF 1.00 SFA 19.2A				
This revision replaces and cancel the previous one, which must be eliminated. (1) Looking the motor from the shaft end. (2) Measured at 1m and with tolerance of +3dB(A). (3) Approximate weight subject to changes after manufacturing process. (4) At 100% of full load.		These are average values based on tests with sinusoidal power supply, subject to the tolerances stipulated in NEMA MG-1.		
Rev.	Changes Summary	Performed	Checked	Date
Performed by				
Checked by			Page	Revision
Date	12/04/2022		1 /	

# TORQUE AND CURRENT VS SPEED CURVE

## Three Phase Induction Motor - Squirrel Cage



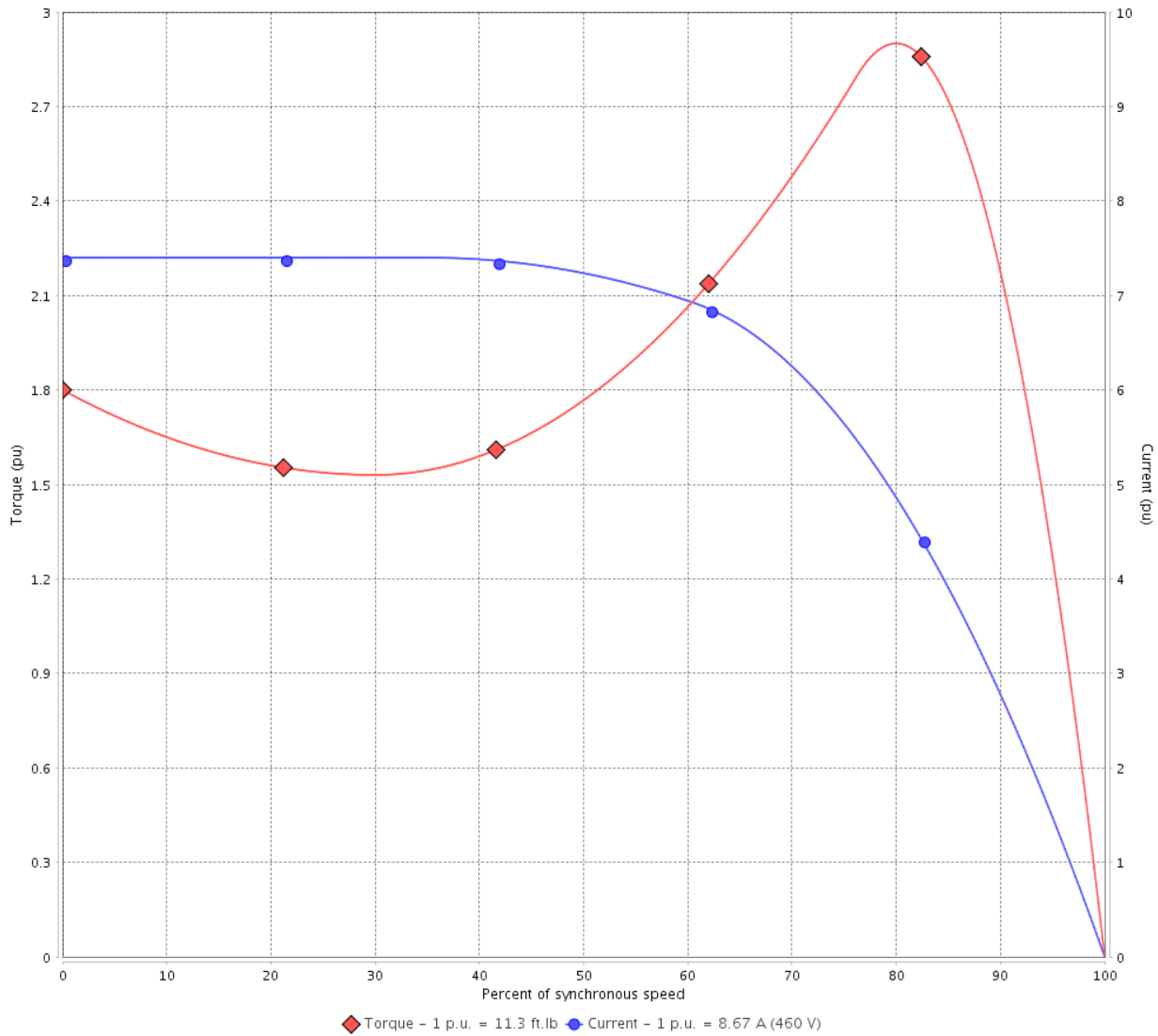
Customer :

Product line : JP Pump NEMA Premium  
Efficiency Three-Phase

Product code : 13482794

Catalog # : 007360T3E184JPV-S

TORQUE AND CURRENT VS SPEED CURVE



Performance : 230/460 V 60 Hz 2P

Rated current : 17.3/8.67 A  
LRC : 7.4  
Rated torque : 11.3 ft.lb  
Locked rotor torque : 180 %  
Breakdown torque : 290 %  
Rated speed : 3500 rpm

Moment of inertia (J) : 0.1818 sq.ft.lb  
Duty cycle : Cont.(S1)  
Insulation class : F  
Service factor : 1.15  
Temperature rise : 80 K  
Design : B

Locked rotor time : 18s (cold) 10s (hot)

Rev.	Changes Summary	Performed	Checked	Date
Performed by			Page 2 /	Revision
Checked by				
Date	12/04/2022			

# TORQUE AND CURRENT VS SPEED CURVE



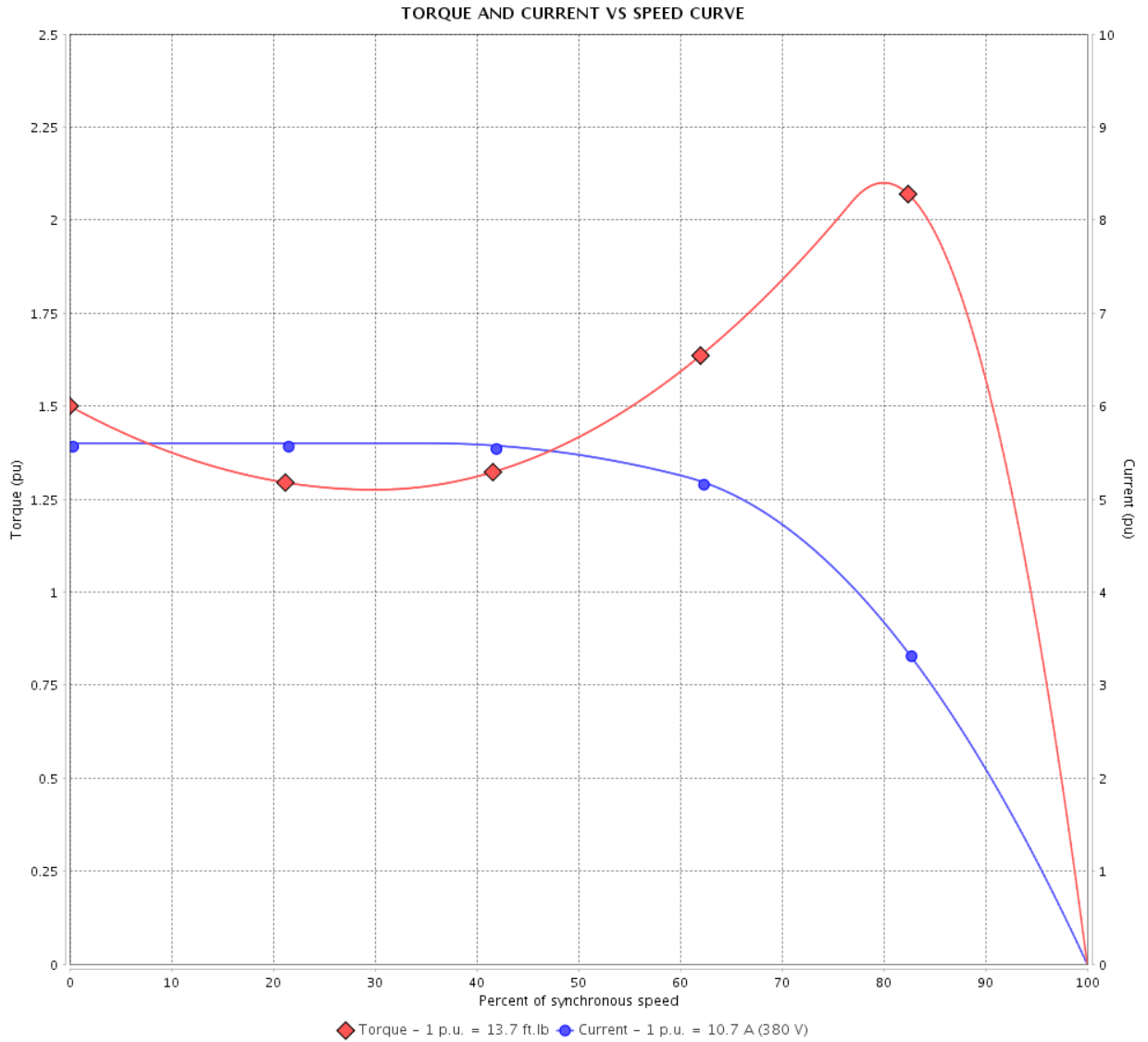
## Three Phase Induction Motor - Squirrel Cage

Customer :

Product line : JP Pump NEMA Premium Efficiency Three-Phase

Product code : 13482794

Catalog # : 007360T3E184JPV-S



Performance : 190/380 V 50 Hz 2P

Rated current : 21.4/10.7 A  
 LRC : 5.6  
 Rated torque : 13.7 ft.lb  
 Locked rotor torque : 150 %  
 Breakdown torque : 210 %  
 Rated speed : 2865 rpm

Moment of inertia (J) : 0.1818 sq.ft.lb  
 Duty cycle : Cont.(S1)  
 Insulation class : F  
 Service factor : 1.00  
 Temperature rise : 105 K  
 Design : B

Locked rotor time : 0s (cold) 0s (hot)

Rev.	Changes Summary	Performed	Checked	Date
Performed by			Page 3 /	Revision
Checked by				
Date	12/04/2022			

# TORQUE AND CURRENT VS SPEED CURVE

## Three Phase Induction Motor - Squirrel Cage



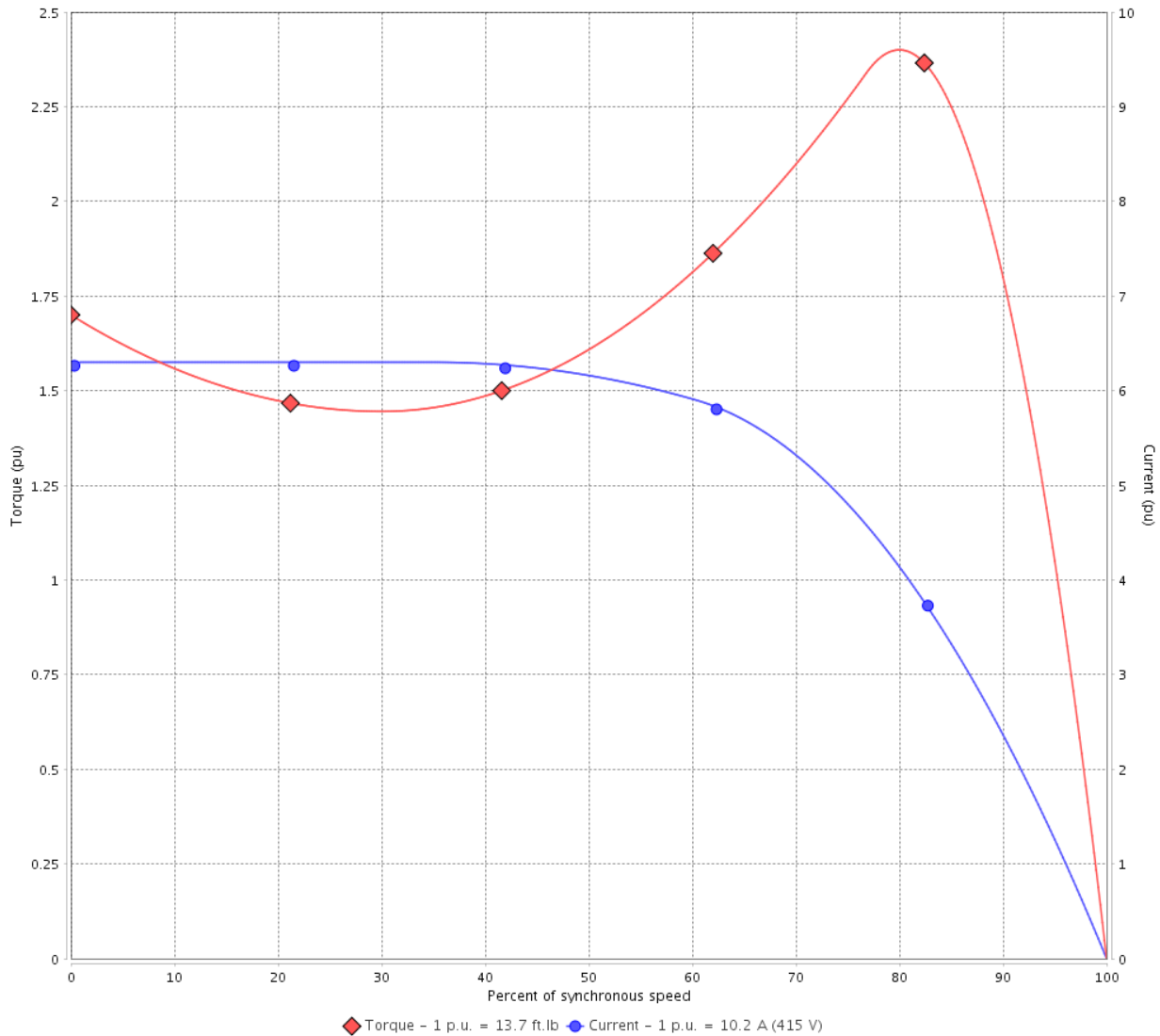
Customer :

Product line : JP Pump NEMA Premium  
Efficiency Three-Phase

Product code : 13482794

Catalog # : 007360T3E184JPV-S

TORQUE AND CURRENT VS SPEED CURVE



Performance : 220/415 V 50 Hz 2P

Rated current : 19.2/10.2 A  
LRC : 6.3  
Rated torque : 13.7 ft.lb  
Locked rotor torque : 170 %  
Breakdown torque : 240 %  
Rated speed : 2880 rpm

Moment of inertia (J) : 0.1818 sq.ft.lb  
Duty cycle : Cont.(S1)  
Insulation class : F  
Service factor : 1.00  
Temperature rise : 105 K  
Design : B

Locked rotor time : 0s (cold) 0s (hot)

Rev.	Changes Summary	Performed	Checked	Date
Performed by			Page 4 /	Revision
Checked by				
Date	12/04/2022			

# LOAD PERFORMANCE CURVE

## Three Phase Induction Motor - Squirrel Cage

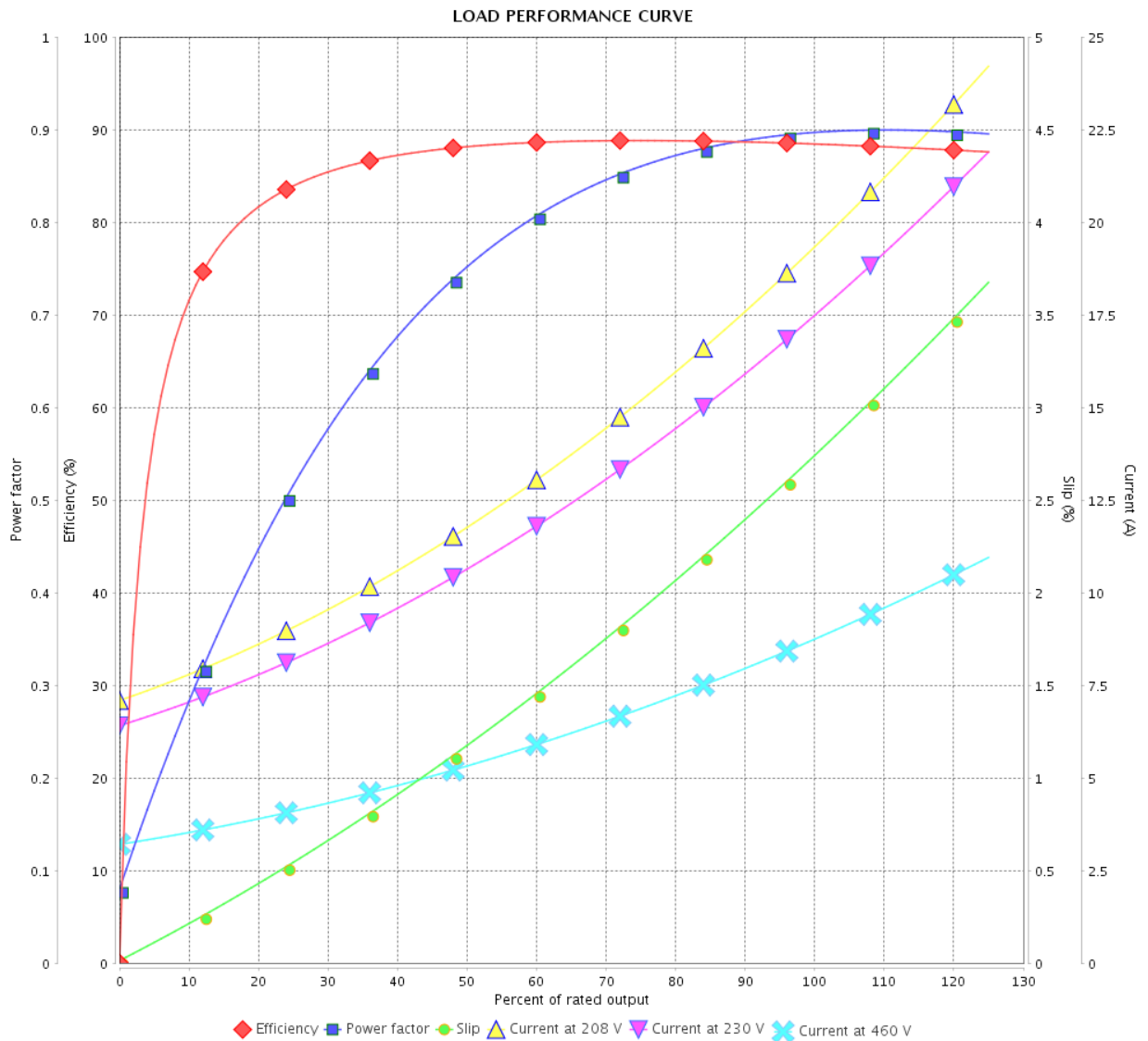


Customer : \_\_\_\_\_

Product line : JP Pump NEMA Premium  
Efficiency Three-Phase

Product code : 13482794

Catalog # : 00736OT3E184JPV-S



Performance : 230/460 V 60 Hz 2P

Rated current : 17.3/8.67 A  
LRC : 7.4  
Rated torque : 11.3 ft.lb  
Locked rotor torque : 180 %  
Breakdown torque : 290 %  
Rated speed : 3500 rpm

Moment of inertia (J) : 0.1818 sq.ft.lb  
Duty cycle : Cont.(S1)  
Insulation class : F  
Service factor : 1.15  
Temperature rise : 80 K  
Design : B

Rev.	Changes Summary	Performed	Checked	Date
Performed by			Page	Revision
Checked by				
Date				
			5 /	

# LOAD PERFORMANCE CURVE

Three Phase Induction Motor - Squirrel Cage



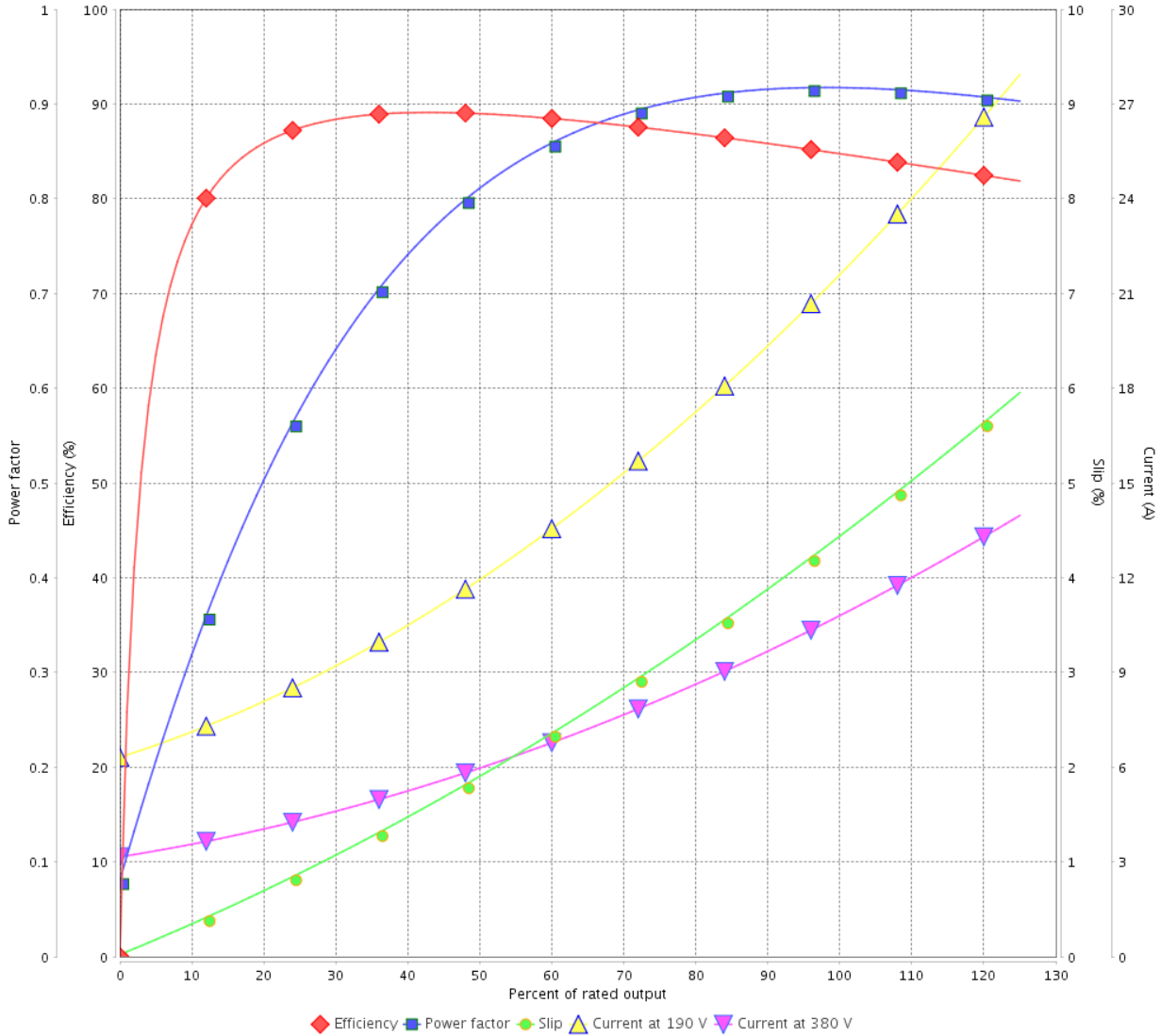
Customer :

Product line : JP Pump NEMA Premium  
Efficiency Three-Phase

Product code : 13482794

Catalog # : 007360T3E184JPV-S

LOAD PERFORMANCE CURVE



Performance : 190/380 V 50 Hz 2P

Rated current : 21.4/10.7 A  
LRC : 5.6  
Rated torque : 13.7 ft.lb  
Locked rotor torque : 150 %  
Breakdown torque : 210 %  
Rated speed : 2865 rpm

Moment of inertia (J) : 0.1818 sq.ft.lb  
Duty cycle : Cont.(S1)  
Insulation class : F  
Service factor : 1.00  
Temperature rise : 105 K  
Design : B

Rev.	Changes Summary	Performed	Checked	Date
Performed by			Page	Revision
Checked by			6 /	
Date	12/04/2022			

# LOAD PERFORMANCE CURVE

## Three Phase Induction Motor - Squirrel Cage

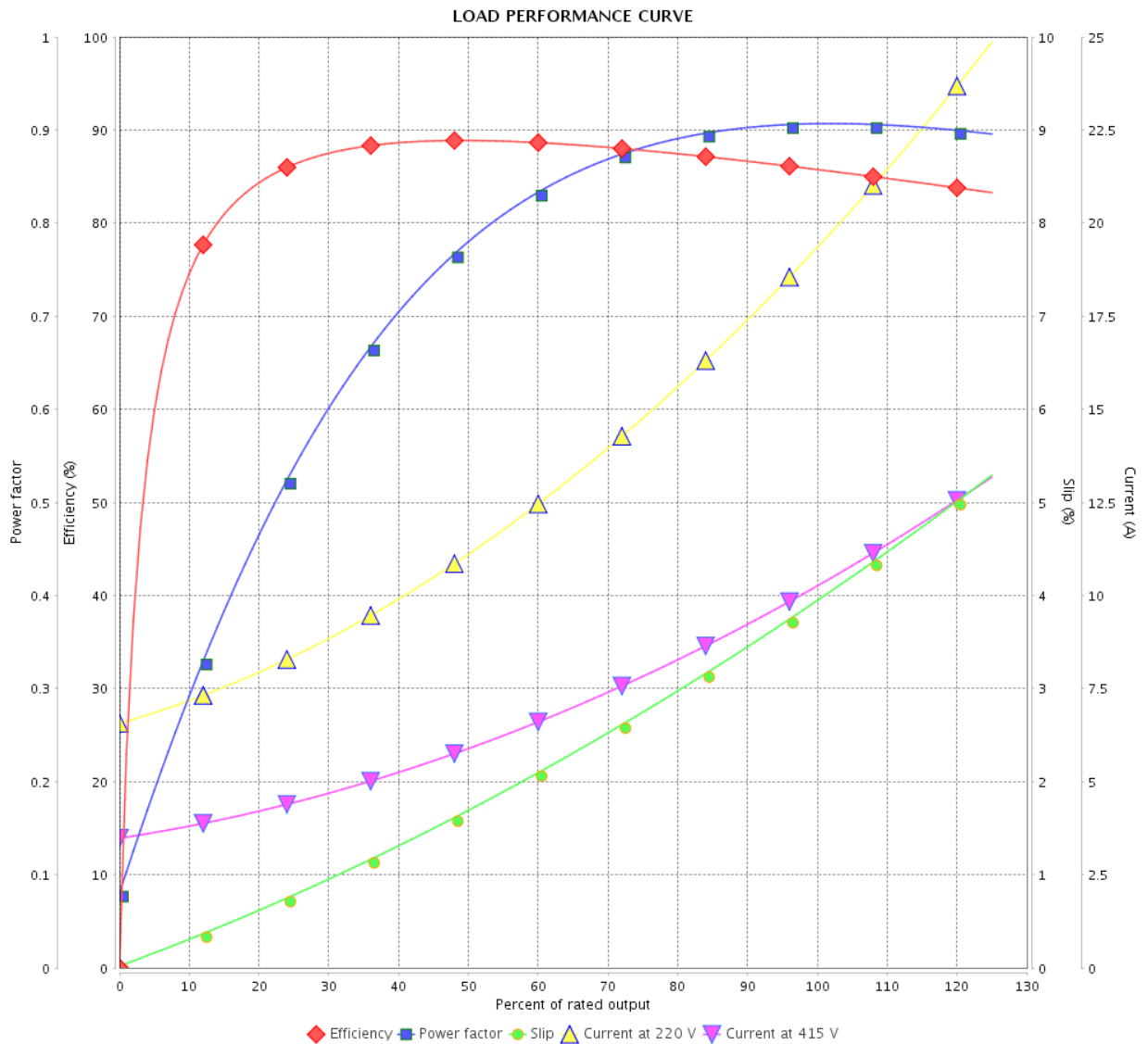


Customer : \_\_\_\_\_

Product line : JP Pump NEMA Premium  
Efficiency Three-Phase

Product code : 13482794

Catalog # : 00736OT3E184JPV-S



Performance : 220/415 V 50 Hz 2P

Rated current : 19.2/10.2 A  
 LRC : 6.3  
 Rated torque : 13.7 ft.lb  
 Locked rotor torque : 170 %  
 Breakdown torque : 240 %  
 Rated speed : 2880 rpm

Moment of inertia (J) : 0.1818 sq.ft.lb  
 Duty cycle : Cont.(S1)  
 Insulation class : F  
 Service factor : 1.00  
 Temperature rise : 105 K  
 Design : B

Rev.	Changes Summary	Performed	Checked	Date
Performed by			Page	Revision
Checked by				
Date				
			7 /	

# THERMAL LIMIT CURVE



## Three Phase Induction Motor - Squirrel Cage

Customer :

Product line : JP Pump NEMA Premium  
Efficiency Three-Phase

Product code : 13482794

Catalog # : 00736OT3E184JPV-S

Performance : 230/460 V 60 Hz 2P

Rated current : 17.3/8.67 A  
LRC : 7.4  
Rated torque : 11.3 ft.lb  
Locked rotor torque : 180 %  
Breakdown torque : 290 %  
Rated speed : 3500 rpm

Moment of inertia (J) : 0.1818 sq.ft.lb  
Duty cycle : Cont.(S1)  
Insulation class : F  
Service factor : 1.15  
Temperature rise : 80 K  
Design : B

Heating constant

Cooling constant

Rev.	Changes Summary	Performed	Checked	Date
Performed by				
Checked by			Page	Revision
Date	12/04/2022		8 /	

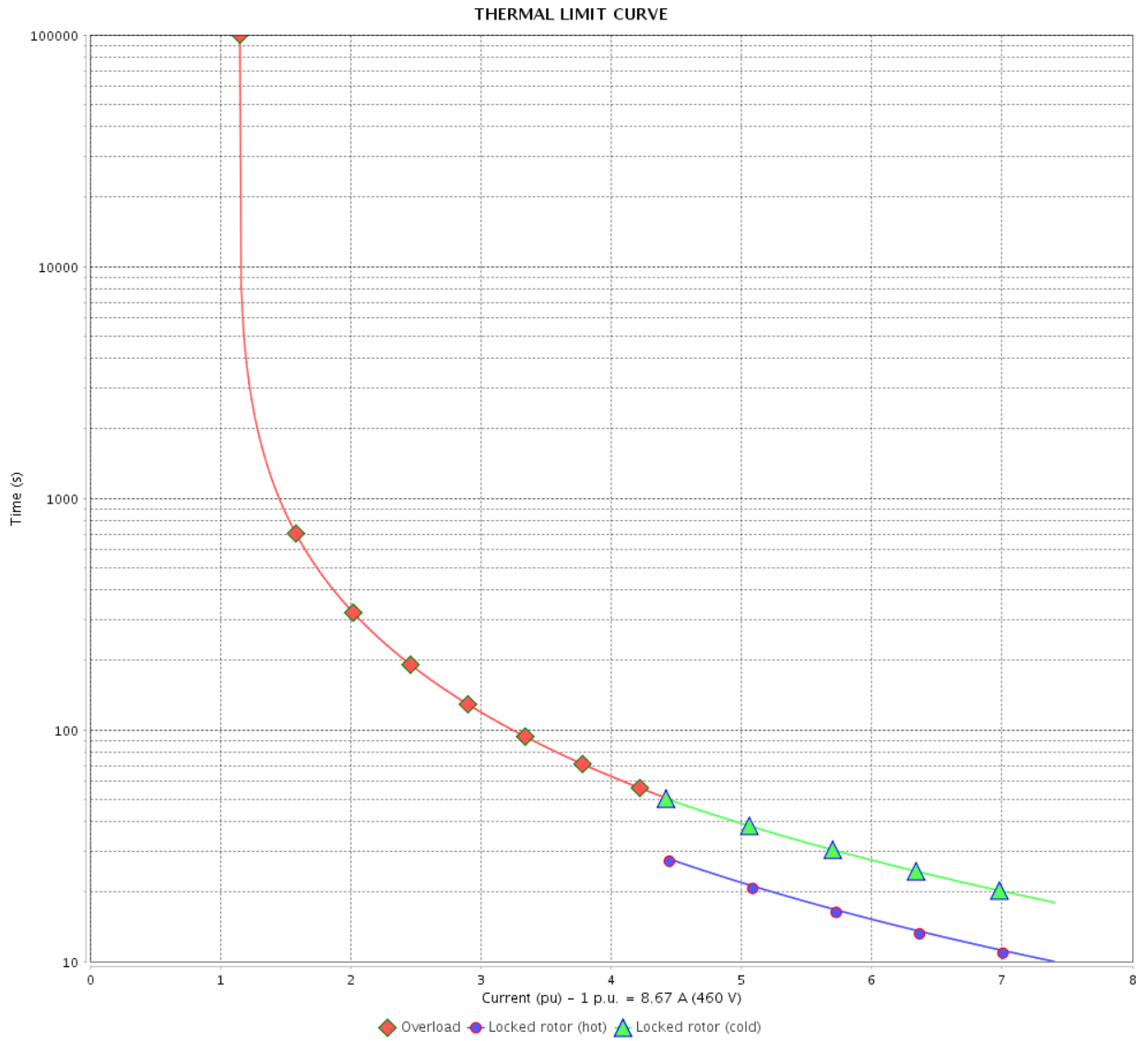


# THERMAL LIMIT CURVE

Three Phase Induction Motor - Squirrel Cage



Customer : \_\_\_\_\_



Rev.	Changes Summary	Performed	Checked	Date
Performed by		Page		Revision
Checked by		9 /		
Date		12/04/2022		

# THERMAL LIMIT CURVE



## Three Phase Induction Motor - Squirrel Cage

Customer :

Product line : JP Pump NEMA Premium  
Efficiency Three-Phase

Product code : 13482794

Catalog # : 00736OT3E184JPV-S

Performance : 190/380 V 50 Hz 2P

Rated current : 21.4/10.7 A  
LRC : 5.6  
Rated torque : 13.7 ft.lb  
Locked rotor torque : 150 %  
Breakdown torque : 210 %  
Rated speed : 2865 rpm

Moment of inertia (J) : 0.1818 sq.ft.lb  
Duty cycle : Cont.(S1)  
Insulation class : F  
Service factor : 1.00  
Temperature rise : 105 K  
Design : B

Heating constant

Cooling constant

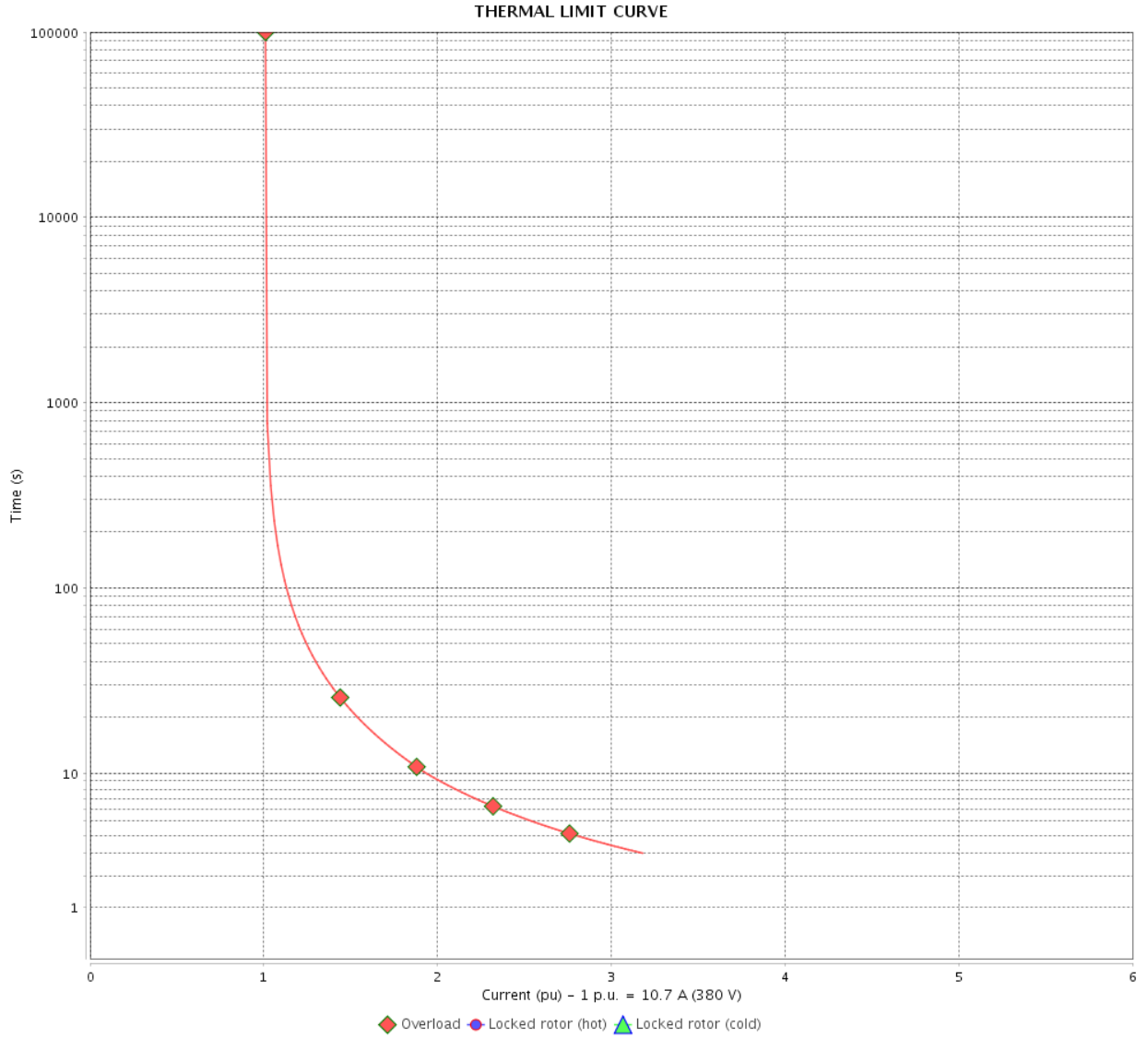
Rev.	Changes Summary	Performed	Checked	Date
Performed by				
Checked by				
Date	12/04/2022		Page 10 /	Revision

# THERMAL LIMIT CURVE

Three Phase Induction Motor - Squirrel Cage



Customer : \_\_\_\_\_



Rev.	Changes Summary	Performed	Checked	Date
Performed by		Page		Revision
Checked by		11 /		
Date		12/04/2022		

# THERMAL LIMIT CURVE



## Three Phase Induction Motor - Squirrel Cage

Customer :

Product line : JP Pump NEMA Premium  
Efficiency Three-Phase

Product code : 13482794

Catalog # : 00736OT3E184JPV-S

Performance : 220/415 V 50 Hz 2P

Rated current : 19.2/10.2 A  
LRC : 6.3  
Rated torque : 13.7 ft.lb  
Locked rotor torque : 170 %  
Breakdown torque : 240 %  
Rated speed : 2880 rpm

Moment of inertia (J) : 0.1818 sq.ft.lb  
Duty cycle : Cont.(S1)  
Insulation class : F  
Service factor : 1.00  
Temperature rise : 105 K  
Design : B

Heating constant

Cooling constant

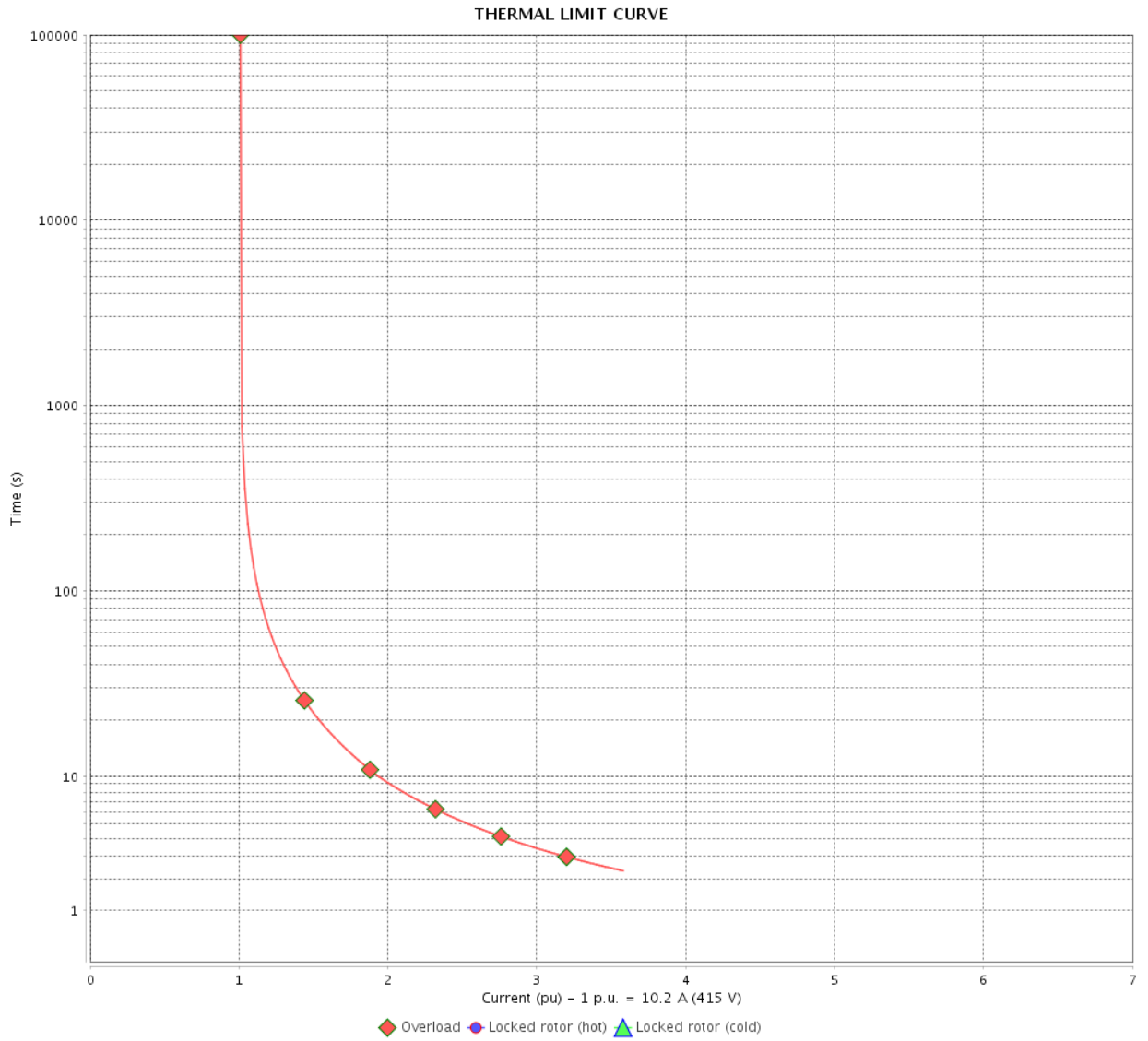
Rev.	Changes Summary	Performed	Checked	Date
Performed by				
Checked by			Page	Revision
Date	12/04/2022		12 /	

# THERMAL LIMIT CURVE

Three Phase Induction Motor - Squirrel Cage



Customer : \_\_\_\_\_



Rev.	Changes Summary	Performed	Checked	Date
Performed by		Page		Revision
Checked by		13 /		
Date		12/04/2022		

# VFD OPERATION CURVE

Three Phase Induction Motor - Squirrel Cage



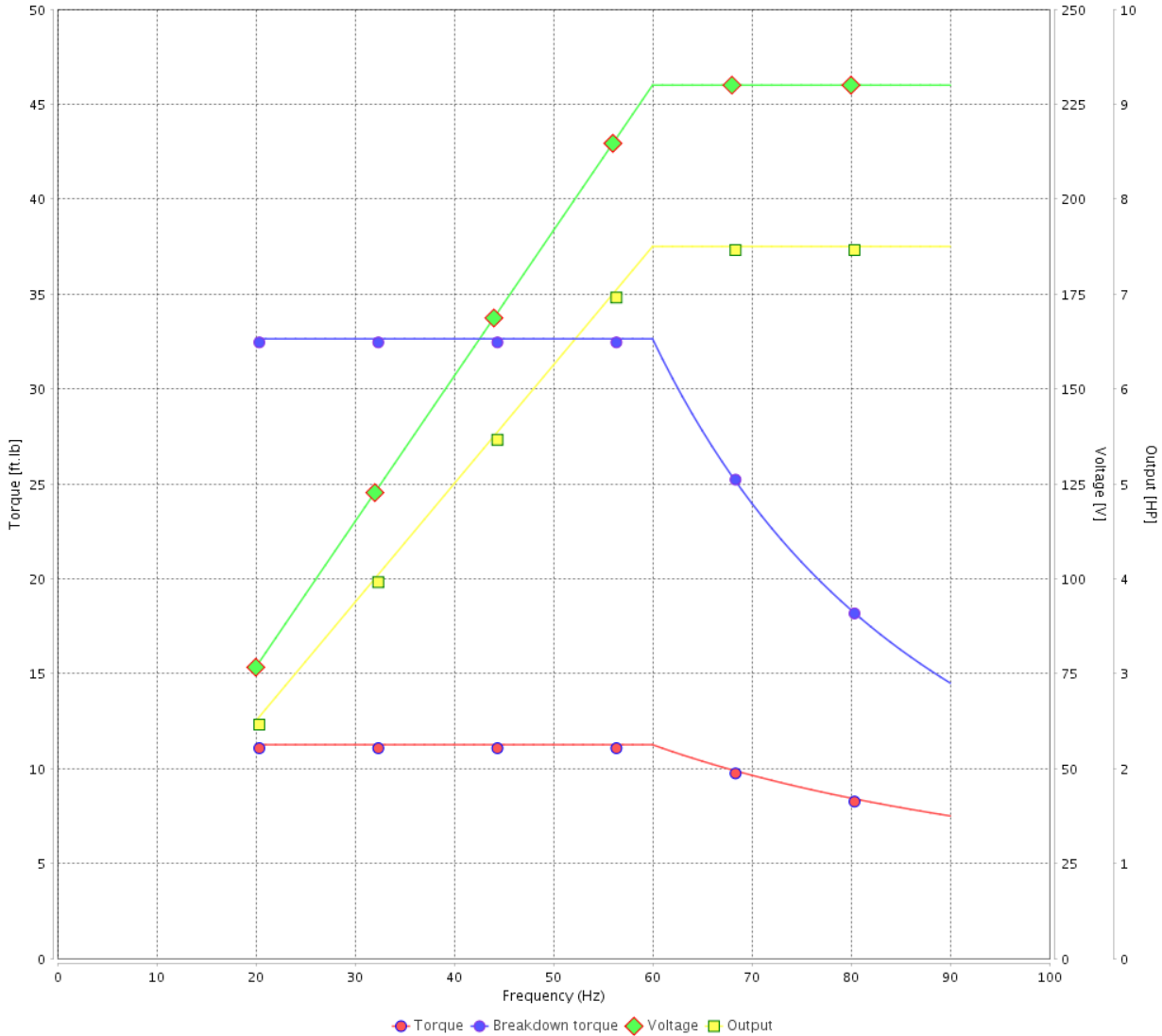
Customer :

Product line : JP Pump NEMA Premium Efficiency Three-Phase

Product code : 13482794

Catalog # : 007360T3E184JPV-S

VFD OPERATION CURVE



Performance : 230/460 V 60 Hz 2P

Rated current : 17.3/8.67 A  
 LRC : 7.4  
 Rated torque : 11.3 ft.lb  
 Locked rotor torque : 180 %  
 Breakdown torque : 290 %  
 Rated speed : 3500 rpm

Moment of inertia (J) : 0.1818 sq.ft.lb  
 Duty cycle : Cont.(S1)  
 Insulation class : F  
 Service factor : 1.15  
 Temperature rise : 80 K  
 Design : B

Rev.	Changes Summary	Performed	Checked	Date
Performed by		Page		Revision
Checked by		14 /		
Date	12/04/2022			

1 2 3 4 5 6

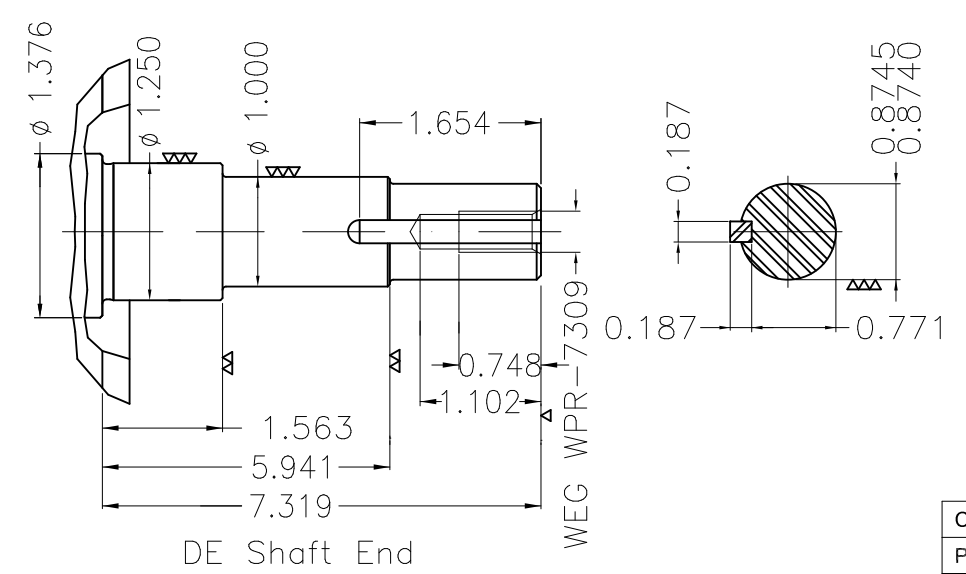
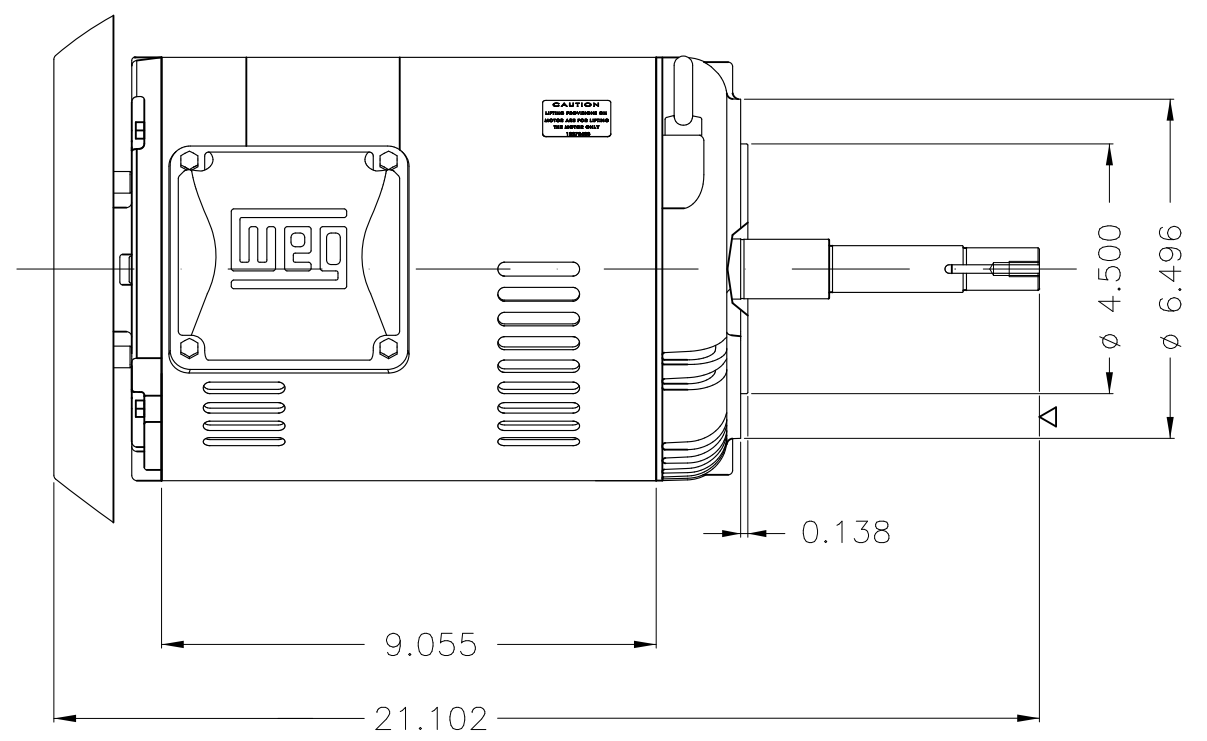
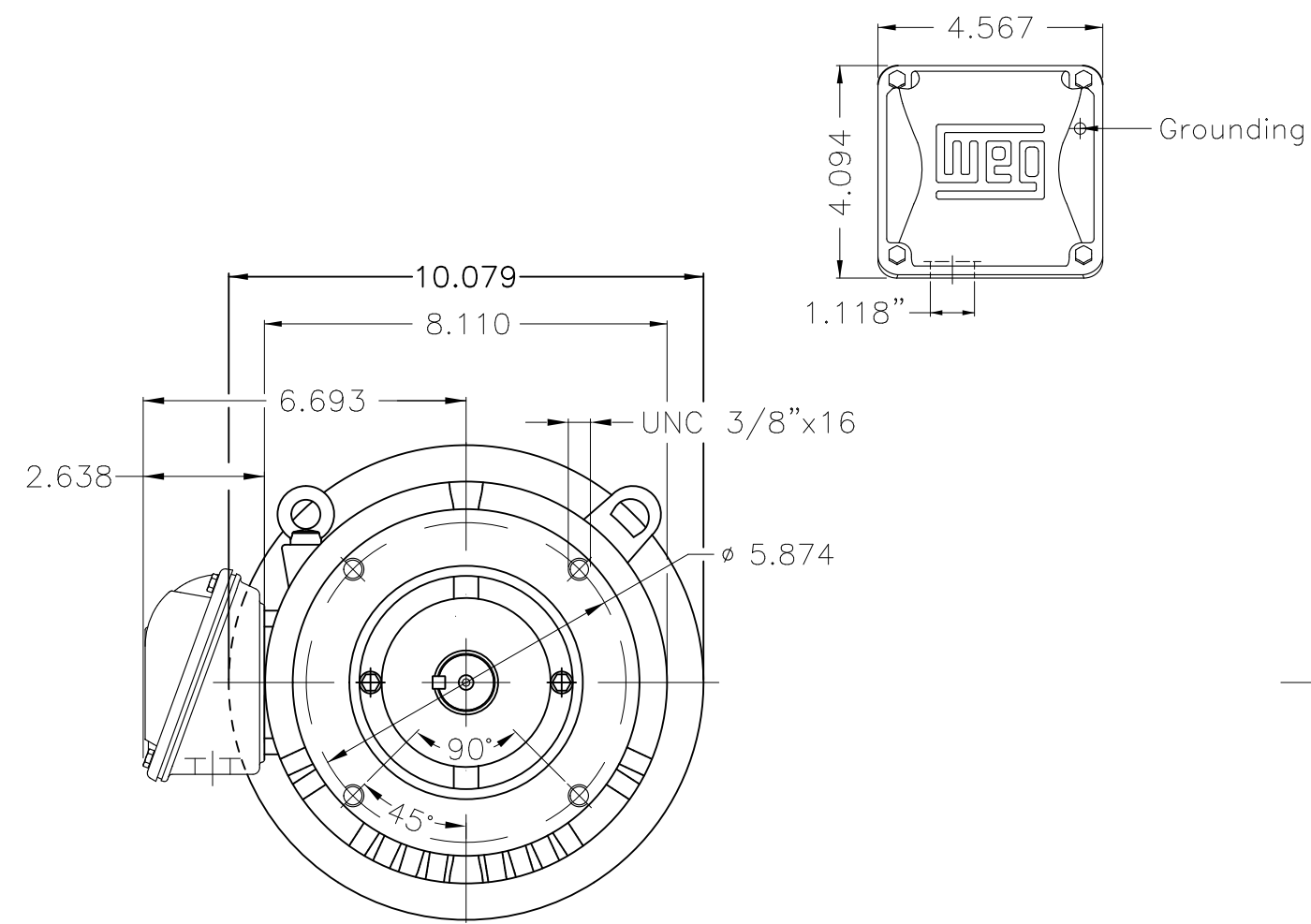
A

B

C

D

E



EUNC 3/8"-16 WEG WPR-7309

Color Munsell N 1 matte black									
Painting plan 207N									
Mounting W-6/V18R(D)									
ECM	LOC	SUMMARY OF MODIFICATIONS			EXECUTED	CHECKED	RELEASED	DATE	VER
EXECUTED	PIRBUSER	THREE PH. MOTOR ROLLED STEEL CLOSE COUPLED PUMP JP TYPE PREMIER							
CHECKED		FRAME 182/4JP IP21 ODP							
RELEASED									
REL DT.		WMO	Jaragua do Sul	Product Engineering					

7.5 HP 02 Poles 60 Hz

**NEMA**  
**Premium**

MADE IN MEXICO

MAT: 13482794 CC029A

W01.T00IC0X0N

MODEL 007360T3E184JPV-S

06OCT2021 S/N:

PH 3	Hz 60	HP 7.5
FR 182/4JP		KW 5.5
DUTY CONT.		V 230/460
ALT 1000 m.a.s.l.		A 17.3/8.67
INS CL F AT 80K		SFA 19.9/9.97
AMB 40°C	DES B	SF 1.15
ENCL ODP	CODE H	PF 0.90
USABLE @ 208V 19.2A		RPM 3500
SF1.00		NEMA NOM. EFF 88.5%

ALTERNATE RATING: 7.5HP 50Hz 190-220/380-415V SF1.00  
 21.4-18.6/10.7-8.84A 2865RPM EFF 84.7% (IE1) IEC 60034-1

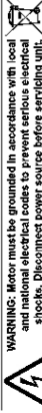
Inverter duty motor For 80Hz use on VPWM 1000:1 VT, 3:1 CT

DE 6207-ZZ	ODE 6205-ZZ	MOBIL POLYREX EM
------------	-------------	------------------



T1-BLU T2-WHT  
 T3-ORG T4-YEL  
 T5-BLK T6-GRY  
 T7-PNK T8-RED  
 T9-BRK RED

INTERCHANGE ANY TWO LINE WIRES TO REVERSE THE ROTATION



**WARNING:** Motor must be grounded in accordance with local and national electrical codes to prevent serious electrical shocks. Disconnect power source before servicing unit.

**AVERTISSEMENT:** Le moteur doit être mis à la terre conformément aux codes électriques locaux et nationaux afin d'éviter tout choc électrique grave. Déconnectez l'alimentation avant l'entretien de la machine.

