

DATA SHEET



Three Phase Induction Motor - Squirrel Cage

Customer :																			
Product line : JM Pump NEMA Premium Efficiency Three-Phase	Product code : 12676953 Catalog # : 00736OT3H184JM-S																		
Frame : 182/4JM Output : 7.5 HP (5.5 kW) Poles : 2 Frequency : 60 Hz Rated voltage : 575 V Rated current : 6.94 A L. R. Amperes : 51.3 A LRC : 7.4x(Code H) No load current : 2.57 A Rated speed : 3500 rpm Slip : 2.78 % Rated torque : 11.3 ft.lb Locked rotor torque : 180 % Breakdown torque : 290 % Insulation class : F Service factor : 1.15 Moment of inertia (J) : 0.1818 sq.ft.lb Design : B	Locked rotor time : 18s (cold) 10s (hot) Temperature rise : 80 K Duty cycle : Cont.(S1) Ambient temperature : -20°C to +40°C Altitude : 1000 m.a.s.l. Cooling method : IC01 - ODP Mounting : F-1 Rotation ¹ : Both (CW and CCW) Noise level ² : 65.0 dB(A) Starting method : Direct On Line Approx. weight ³ : 76.7 lb																		
<table border="1"> <tr> <td>Output</td> <td>25%</td> <td>50%</td> <td>75%</td> <td>100%</td> </tr> <tr> <td>Efficiency (%)</td> <td>88.3</td> <td>88.5</td> <td>88.5</td> <td>88.5</td> </tr> <tr> <td>Power Factor</td> <td>0.49</td> <td>0.76</td> <td>0.85</td> <td>0.90</td> </tr> </table>	Output	25%	50%	75%	100%	Efficiency (%)	88.3	88.5	88.5	88.5	Power Factor	0.49	0.76	0.85	0.90	Foundation loads Max. traction : 170 lb Max. compression : 247 lb			
Output	25%	50%	75%	100%															
Efficiency (%)	88.3	88.5	88.5	88.5															
Power Factor	0.49	0.76	0.85	0.90															
<table border="1"> <thead> <tr> <th></th> <th>Drive end</th> <th>Non drive end</th> </tr> </thead> <tbody> <tr> <td>Bearing type :</td> <td>6207 ZZ</td> <td>6205 ZZ</td> </tr> <tr> <td>Sealing :</td> <td>Without Bearing Seal</td> <td>Without Bearing Seal</td> </tr> <tr> <td>Lubrication interval :</td> <td>-</td> <td>-</td> </tr> <tr> <td>Lubricant amount :</td> <td>-</td> <td>-</td> </tr> <tr> <td>Lubricant type :</td> <td colspan="2">Mobil Polyrex EM</td> </tr> </tbody> </table>			Drive end	Non drive end	Bearing type :	6207 ZZ	6205 ZZ	Sealing :	Without Bearing Seal	Without Bearing Seal	Lubrication interval :	-	-	Lubricant amount :	-	-	Lubricant type :	Mobil Polyrex EM	
	Drive end	Non drive end																	
Bearing type :	6207 ZZ	6205 ZZ																	
Sealing :	Without Bearing Seal	Without Bearing Seal																	
Lubrication interval :	-	-																	
Lubricant amount :	-	-																	
Lubricant type :	Mobil Polyrex EM																		
Notes																			
This revision replaces and cancel the previous one, which must be eliminated. (1) Looking the motor from the shaft end. (2) Measured at 1m and with tolerance of +3dB(A). (3) Approximate weight subject to changes after manufacturing process. (4) At 100% of full load.	These are average values based on tests with sinusoidal power supply, subject to the tolerances stipulated in NEMA MG-1.																		
Rev.	Changes Summary	Performed	Checked	Date															
Performed by																			
Checked by			Page	Revision															
Date	12/04/2022		1 / 6																

TORQUE AND CURRENT VS SPEED CURVE

Three Phase Induction Motor - Squirrel Cage



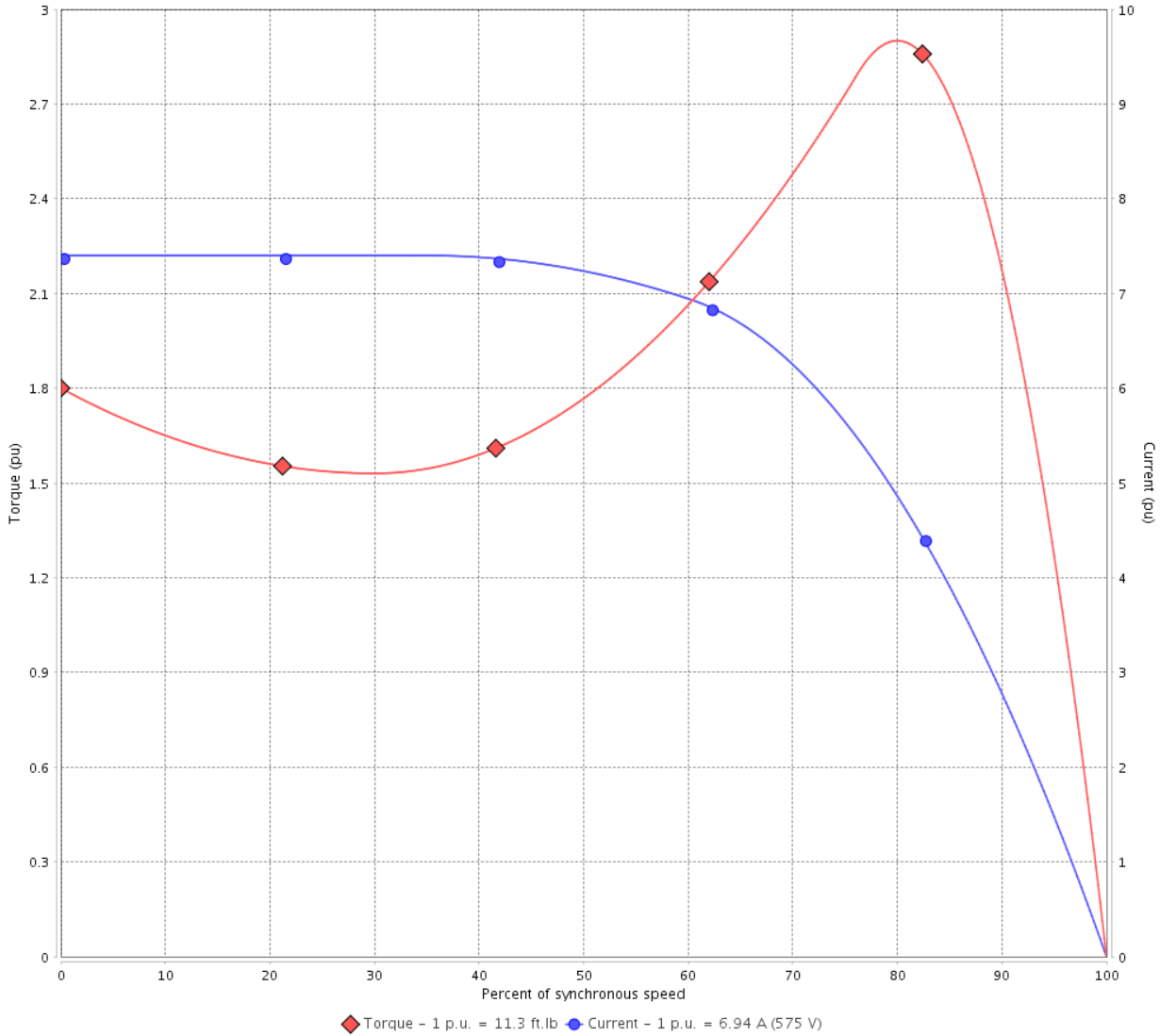
Customer :

Product line : JM Pump NEMA Premium
Efficiency Three-Phase

Product code : 12676953

Catalog # : 00736OT3H184JM-S

TORQUE AND CURRENT VS SPEED CURVE



Performance : 575 V 60 Hz 2P

Rated current	: 6.94 A	Moment of inertia (J)	: 0.1818 sq.ft.lb
LRC	: 7.4	Duty cycle	: Cont.(S1)
Rated torque	: 11.3 ft.lb	Insulation class	: F
Locked rotor torque	: 180 %	Service factor	: 1.15
Breakdown torque	: 290 %	Temperature rise	: 80 K
Rated speed	: 3500 rpm	Design	: B

Locked rotor time : 18s (cold) 10s (hot)

Rev.	Changes Summary	Performed	Checked	Date
Performed by			Page 2 / 6	Revision
Checked by				
Date	12/04/2022			

LOAD PERFORMANCE CURVE

Three Phase Induction Motor - Squirrel Cage

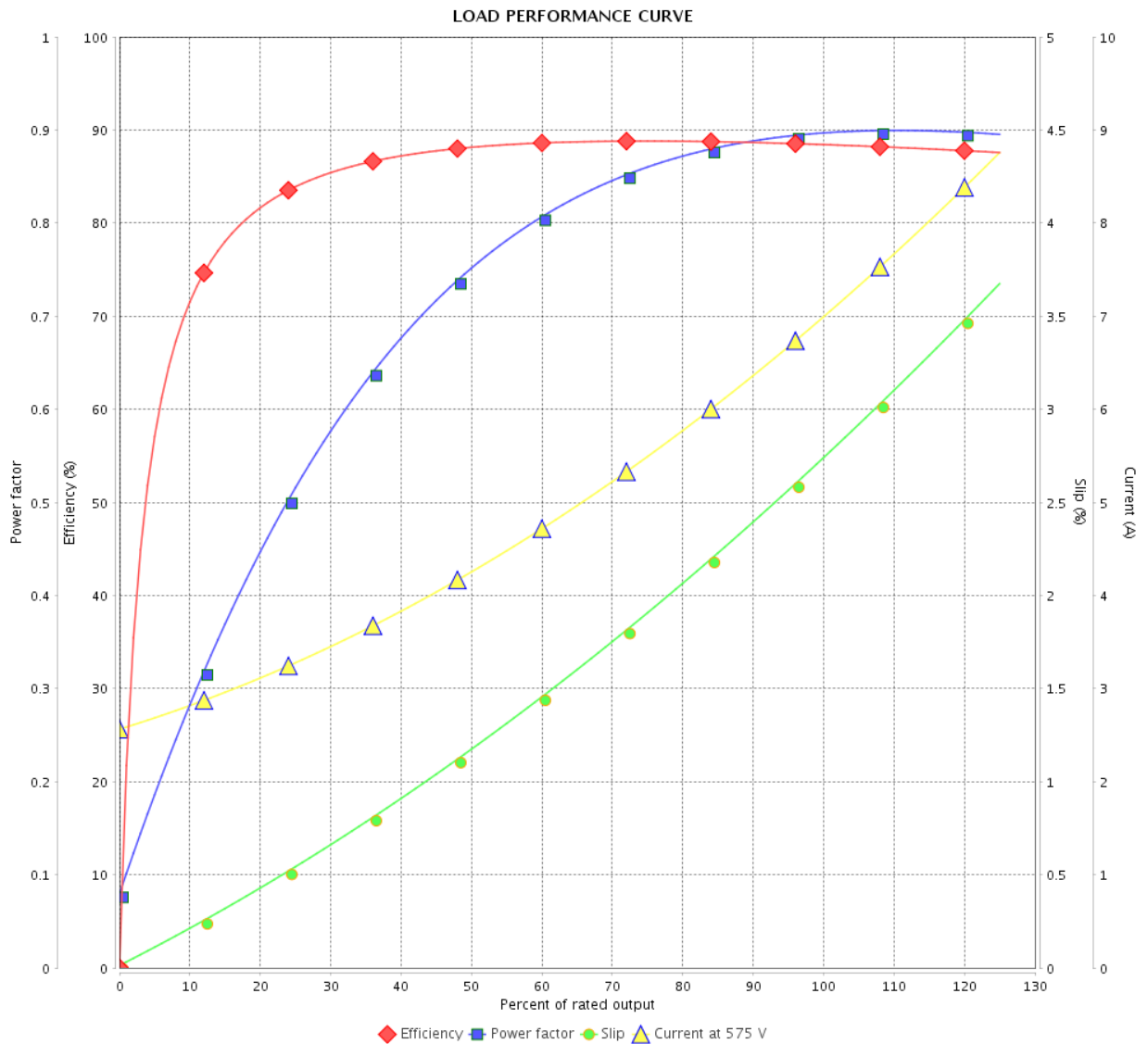


Customer : _____

Product line : JM Pump NEMA Premium
Efficiency Three-Phase

Product code : 12676953

Catalog # : 00736OT3H184JM-S



Performance : 575 V 60 Hz 2P

Rated current : 6.94 A
 LRC : 7.4
 Rated torque : 11.3 ft.lb
 Locked rotor torque : 180 %
 Breakdown torque : 290 %
 Rated speed : 3500 rpm

Moment of inertia (J) : 0.1818 sq.ft.lb
 Duty cycle : Cont.(S1)
 Insulation class : F
 Service factor : 1.15
 Temperature rise : 80 K
 Design : B

Rev.	Changes Summary	Performed	Checked	Date
Performed by			Page	Revision
Checked by			3 / 6	
Date	12/04/2022			

THERMAL LIMIT CURVE



Three Phase Induction Motor - Squirrel Cage

Customer :

Product line : JM Pump NEMA Premium
Efficiency Three-Phase

Product code : 12676953

Catalog # : 00736OT3H184JM-S

Performance : 575 V 60 Hz 2P

Rated current : 6.94 A
LRC : 7.4
Rated torque : 11.3 ft.lb
Locked rotor torque : 180 %
Breakdown torque : 290 %
Rated speed : 3500 rpm

Moment of inertia (J) : 0.1818 sq.ft.lb
Duty cycle : Cont.(S1)
Insulation class : F
Service factor : 1.15
Temperature rise : 80 K
Design : B

Heating constant

Cooling constant

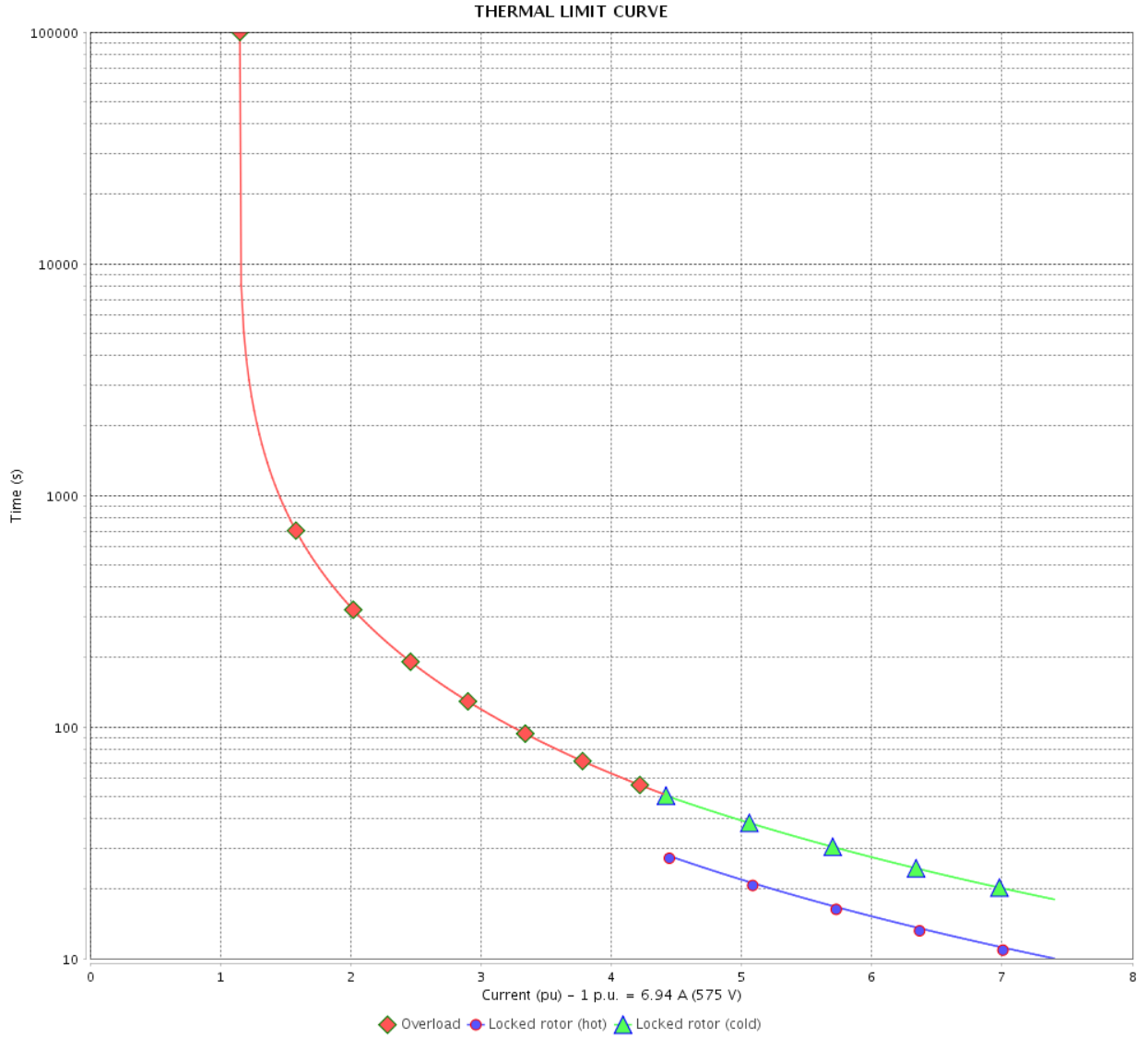
Rev.	Changes Summary	Performed	Checked	Date
Performed by				
Checked by			Page	Revision
Date	12/04/2022		4 / 6	

THERMAL LIMIT CURVE

Three Phase Induction Motor - Squirrel Cage



Customer : _____



Rev.	Changes Summary	Performed	Checked	Date
Performed by		Page 5 / 6		Revision
Checked by				
Date				

VFD OPERATION CURVE

Three Phase Induction Motor - Squirrel Cage



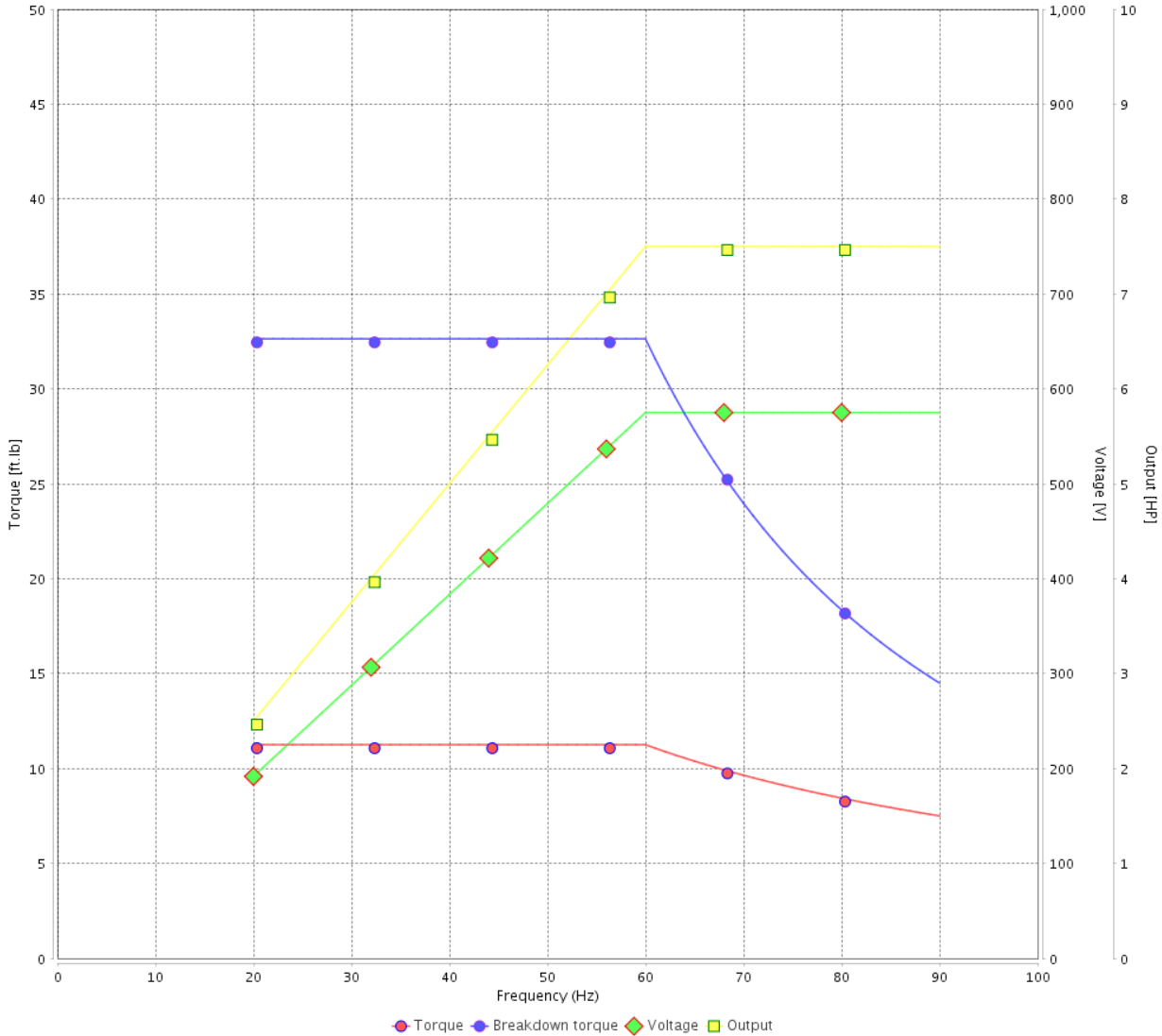
Customer :

Product line : JM Pump NEMA Premium Efficiency Three-Phase

Product code : 12676953

Catalog # : 00736OT3H184JM-S

VFD OPERATION CURVE



Performance : 575 V 60 Hz 2P

Rated current : 6.94 A
 LRC : 7.4
 Rated torque : 11.3 ft.lb
 Locked rotor torque : 180 %
 Breakdown torque : 290 %
 Rated speed : 3500 rpm

Moment of inertia (J) : 0.1818 sq.ft.lb
 Duty cycle : Cont.(S1)
 Insulation class : F
 Service factor : 1.15
 Temperature rise : 80 K
 Design : B

Rev.	Changes Summary	Performed	Checked	Date
Performed by			Page 6 / 6	Revision
Checked by				
Date	12/04/2022			

1 2 3 4 5 6

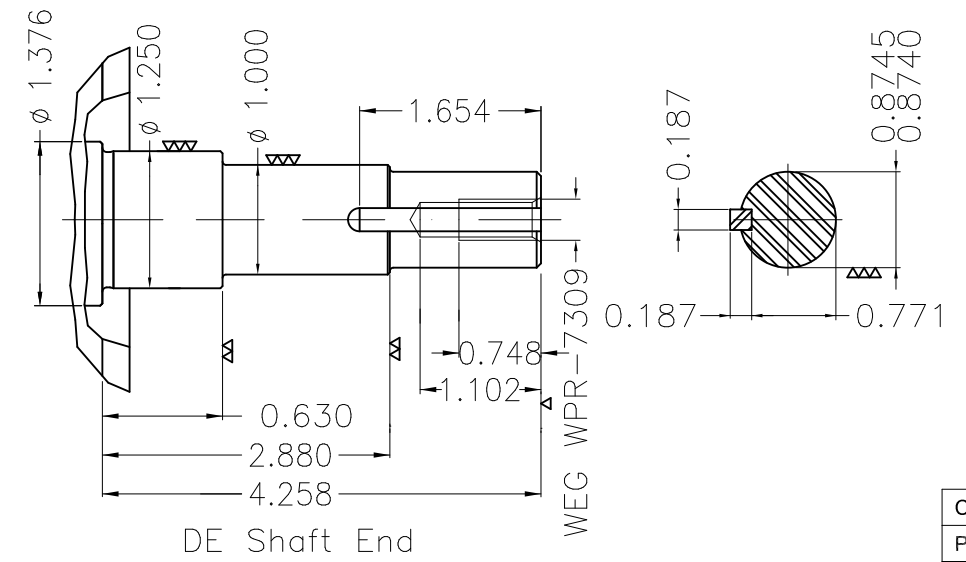
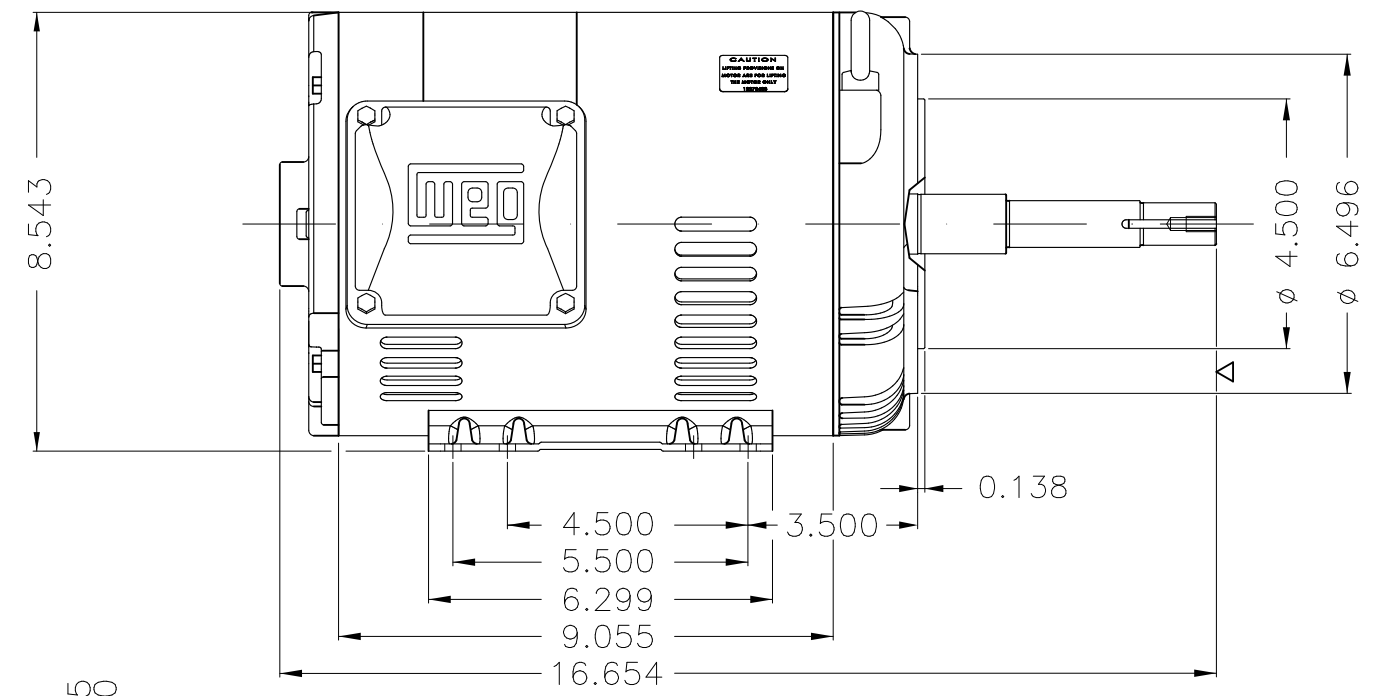
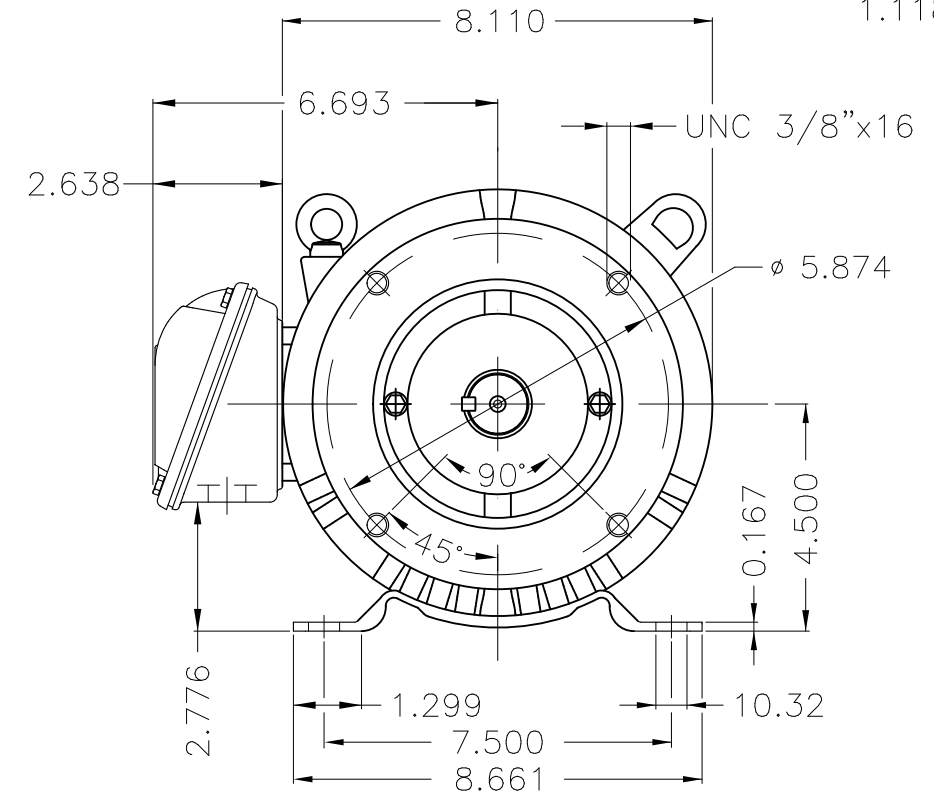
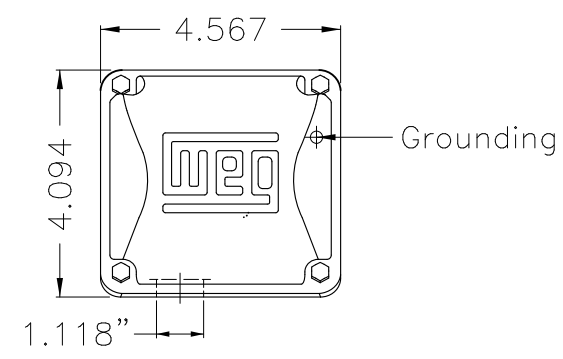
A

B

C

D

E



EUNC 3/8" - 16 WEG WPR-7309

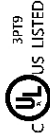
DE Shaft End

Color Munsell N 1 matte black
 Painting plan 207N
 Mounting F-1/B34R(D)

ECM	LOC	SUMMARY OF MODIFICATIONS	EXECUTED	CHECKED	RELEASED	DATE	VER
EXECUTED	PIRWBUSER	THREE PH. MOTOR ROLLED STEEL CLOSE COUPLED PUMP JN TYPE PSEF 107					
CHECKED		FRAME 182/4JM IP21 ODP					
RELEASED							
REL DT.	WMO	Jaragua do Sul	Product Engineering	WDD	SHEET	1 / 1	

7.5 HP 02 Poles 60 Hz



**NEMA**
Premium

MADE IN MEXICO

MAT: 12676953 CC029A

W01.T00IC0X0N

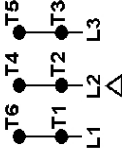
JM007502DPNPW01

18APR2022 S/N:

PH 3	Hz 60	HP 7.5
FR 182/4JM		KW 5.5
DUTY CONT.		V 575
ALT 1000 m.a.s.l		A 6.94
INS CL F AT 80K		SFA 7.98
AMB 40°C	DES B	SF 1.15
ENCL ODP	CODE H	PF 0.90
		RPM 3500
		NEMA NOM. EFF 88.5%

Inverter duty motor For use on VPWM 1000:1 VT, 3:1 CT

DE 6207-ZZ ODE 6205-ZZ MOBIL POLYREX EM

T1-BLU
T2-WHT
T3-ORG
T4-YEL
T5-BLK
T6-GRY

INTERCHANGE ANY TWO LINE WIRES TO REVERSE THE ROTATION

WARNING: Motor must be grounded in accordance with local and national electrical codes to prevent serious electrical shocks. Disconnect power source before servicing unit.

**AVERTISSEMENT:** Le moteur doit être mis à la terre

conformément aux codes électriques locaux et nationaux afin d'éviter tout choc électrique grave. Déconnectez l'alimentation avant l'entretien de la machine.

