

DATA SHEET



Three Phase Induction Motor - Squirrel Cage

Customer :				
Product line	: JM Pump NEMA Premium Efficiency Three-Phase			
Product code :	13482761			
Catalog # :	00736OT3V184JMV-S			
Frame : 182/4JM Output : 7.5 HP (5.5 kW) Poles : 2 Frequency : 60 Hz Rated voltage : 200/400 V Rated current : 19.9/9.97 A L. R. Amperes : 148/73.8 A LRC : 7.4x(Code H) No load current : 7.40/3.70 A Rated speed : 3500 rpm Slip : 2.78 % Rated torque : 11.3 ft.lb Locked rotor torque : 180 % Breakdown torque : 290 % Insulation class : F Service factor : 1.15 Moment of inertia (J) : 0.1818 sq.ft.lb Design : B	Locked rotor time : 18s (cold) 10s (hot) Temperature rise : 80 K Duty cycle : Cont.(S1) Ambient temperature : -20°C to +40°C Altitude : 1000 m.a.s.l. Cooling method : IC01 - ODP Mounting : W-6 Rotation ¹ : Both (CW and CCW) Noise level ² : 65.0 dB(A) Starting method : Direct On Line Approx. weight ³ : 75.5 lb			
Output	25% 50% 75% 100%			
Efficiency (%)	88.3 88.5 88.5 88.5			
Power Factor	0.49 0.76 0.85 0.90			
Foundation loads				
Max. traction : 171 lb				
Max. compression : 246 lb				
Bearing type	: <u>Drive end</u> 6207 ZZ <u>Non drive end</u> 6205 ZZ			
Sealing	: Without Bearing Seal Without Bearing Seal			
Lubrication interval	: - -			
Lubricant amount	: - -			
Lubricant type	: Mobil Polyrex EM			
Notes				
This revision replaces and cancel the previous one, which must be eliminated. (1) Looking the motor from the shaft end. (2) Measured at 1m and with tolerance of +3dB(A). (3) Approximate weight subject to changes after manufacturing process. (4) At 100% of full load.				
These are average values based on tests with sinusoidal power supply, subject to the tolerances stipulated in NEMA MG-1.				
Rev.	Changes Summary	Performed	Checked	Date
Performed by				
Checked by			Page	Revision
Date	13/04/2022		1 / 6	

TORQUE AND CURRENT VS SPEED CURVE

Three Phase Induction Motor - Squirrel Cage



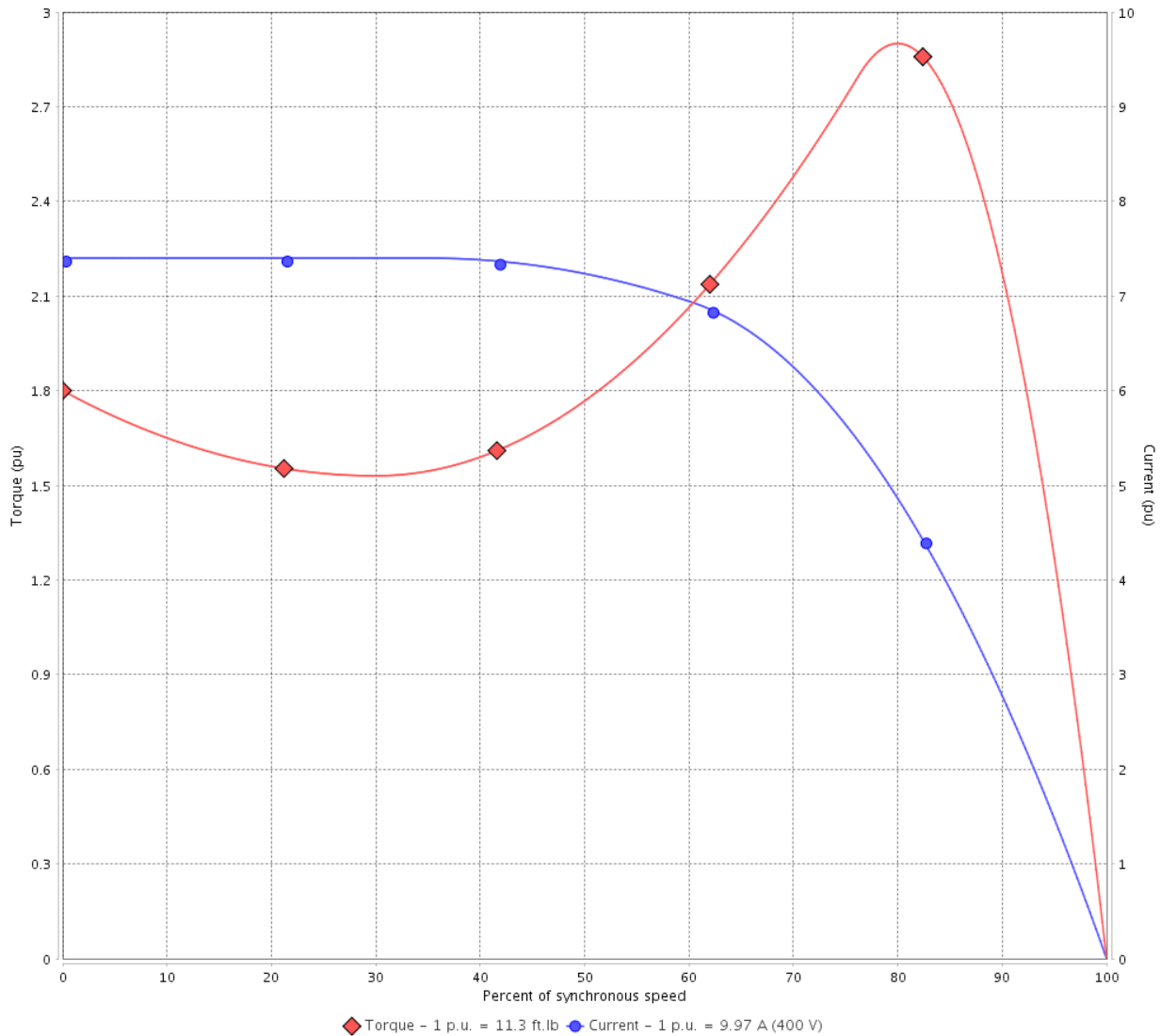
Customer :

Product line : JM Pump NEMA Premium
Efficiency Three-Phase

Product code : 13482761

Catalog # : 007360T3V184JMV-S

TORQUE AND CURRENT VS SPEED CURVE



Performance : 200/400 V 60 Hz 2P

Rated current : 19.9/9.97 A
LRC : 7.4
Rated torque : 11.3 ft.lb
Locked rotor torque : 180 %
Breakdown torque : 290 %
Rated speed : 3500 rpm

Moment of inertia (J) : 0.1818 sq.ft.lb
Duty cycle : Cont.(S1)
Insulation class : F
Service factor : 1.15
Temperature rise : 80 K
Design : B

Locked rotor time : 18s (cold) 10s (hot)

Rev.	Changes Summary	Performed	Checked	Date
Performed by			Page 2 / 6	Revision
Checked by				
Date	13/04/2022			

LOAD PERFORMANCE CURVE

Three Phase Induction Motor - Squirrel Cage

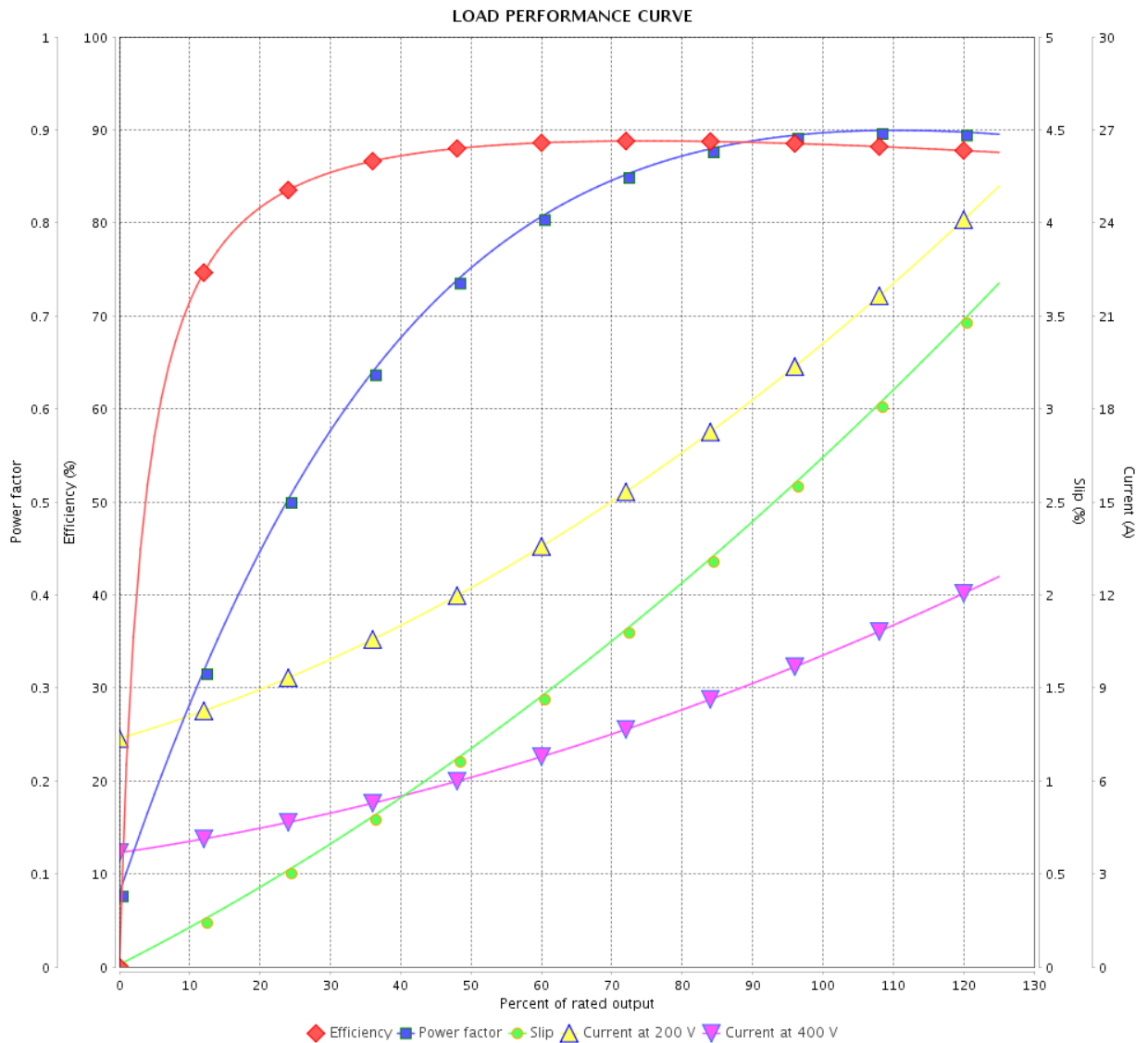


Customer :

Product line : JM Pump NEMA Premium
Efficiency Three-Phase

Product code : 13482761

Catalog # : 00736OT3V184JMV-S



Performance : 200/400 V 60 Hz 2P

Rated current : 19.9/9.97 A
 LRC : 7.4
 Rated torque : 11.3 ft.lb
 Locked rotor torque : 180 %
 Breakdown torque : 290 %
 Rated speed : 3500 rpm

Moment of inertia (J) : 0.1818 sq.ft.lb
 Duty cycle : Cont.(S1)
 Insulation class : F
 Service factor : 1.15
 Temperature rise : 80 K
 Design : B

Rev.	Changes Summary	Performed	Checked	Date
Performed by		Page		Revision
Checked by		3 / 6		
Date		13/04/2022		

THERMAL LIMIT CURVE



Three Phase Induction Motor - Squirrel Cage

Customer :

Product line : JM Pump NEMA Premium
Efficiency Three-Phase

Product code : 13482761

Catalog # : 00736OT3V184JMV-S

Performance : 200/400 V 60 Hz 2P

Rated current : 19.9/9.97 A
LRC : 7.4
Rated torque : 11.3 ft.lb
Locked rotor torque : 180 %
Breakdown torque : 290 %
Rated speed : 3500 rpm

Moment of inertia (J) : 0.1818 sq.ft.lb
Duty cycle : Cont.(S1)
Insulation class : F
Service factor : 1.15
Temperature rise : 80 K
Design : B

Heating constant

Cooling constant

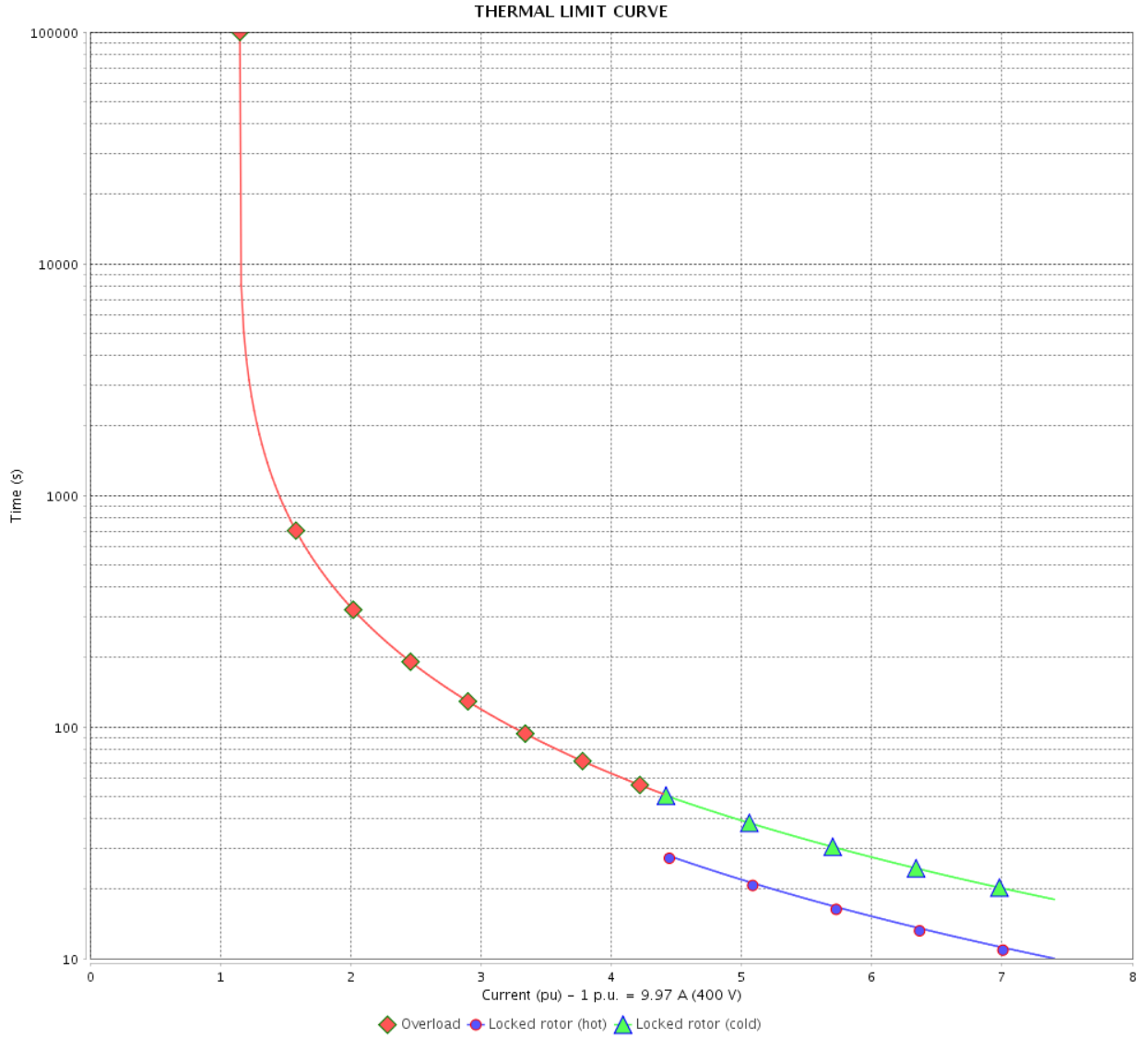
Rev.	Changes Summary	Performed	Checked	Date
Performed by				
Checked by			Page	Revision
Date	13/04/2022		4 / 6	

THERMAL LIMIT CURVE

Three Phase Induction Motor - Squirrel Cage



Customer : _____



Rev.	Changes Summary	Performed	Checked	Date
Performed by		Page 5 / 6		Revision
Checked by				
Date				

VFD OPERATION CURVE

Three Phase Induction Motor - Squirrel Cage

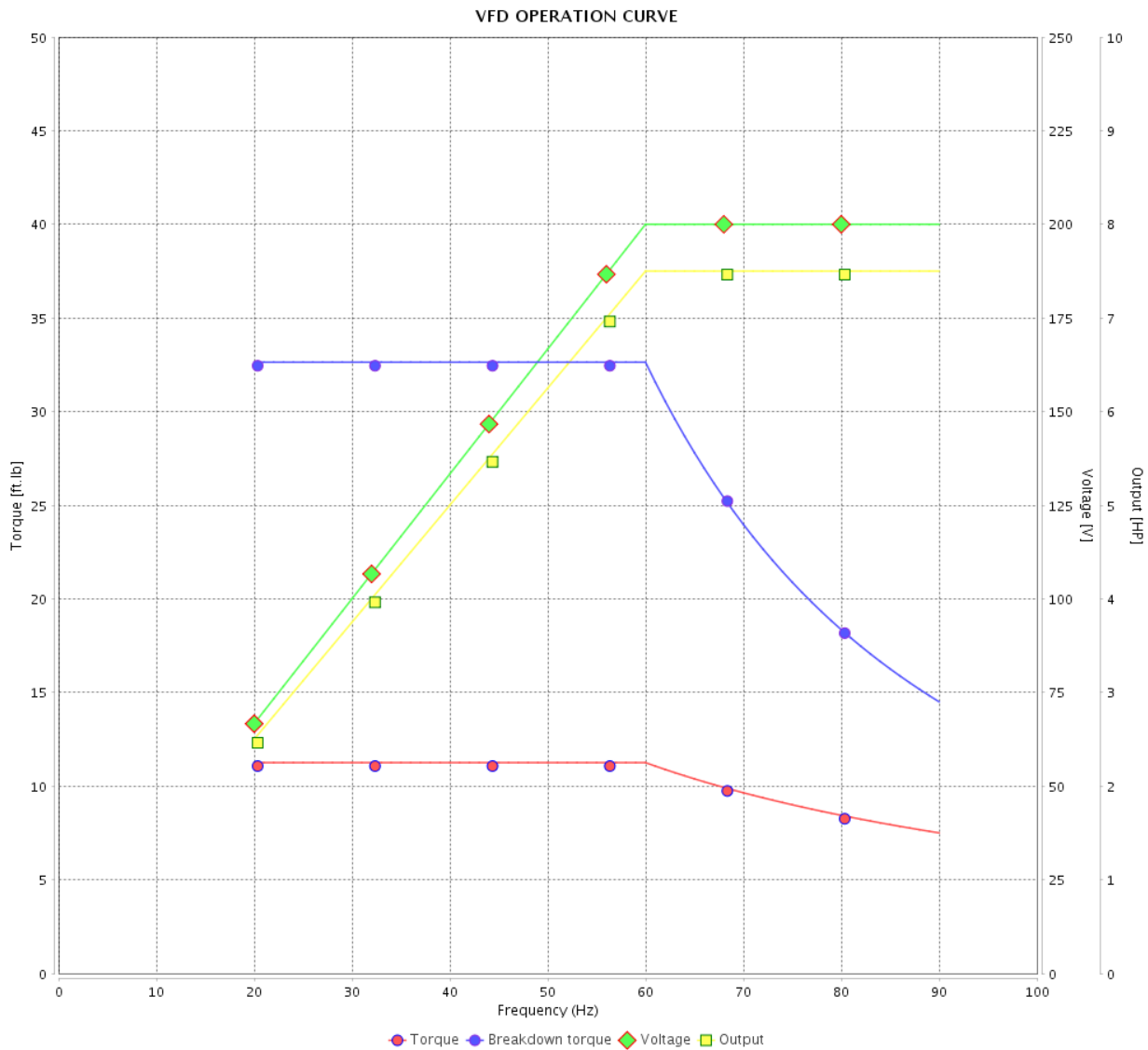


Customer :

Product line : JM Pump NEMA Premium Efficiency Three-Phase

Product code : 13482761

Catalog # : 00736OT3V184JMV-S



Performance : 200/400 V 60 Hz 2P

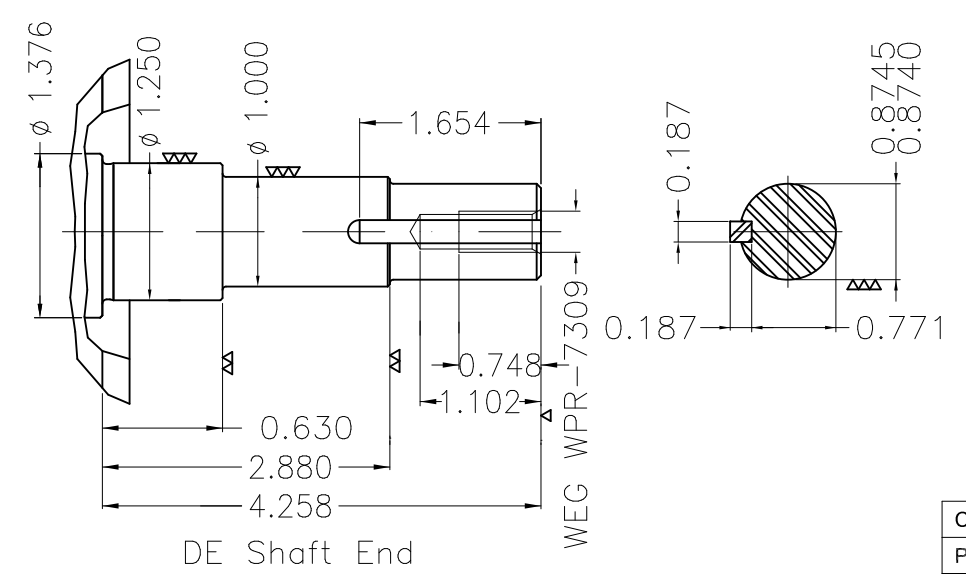
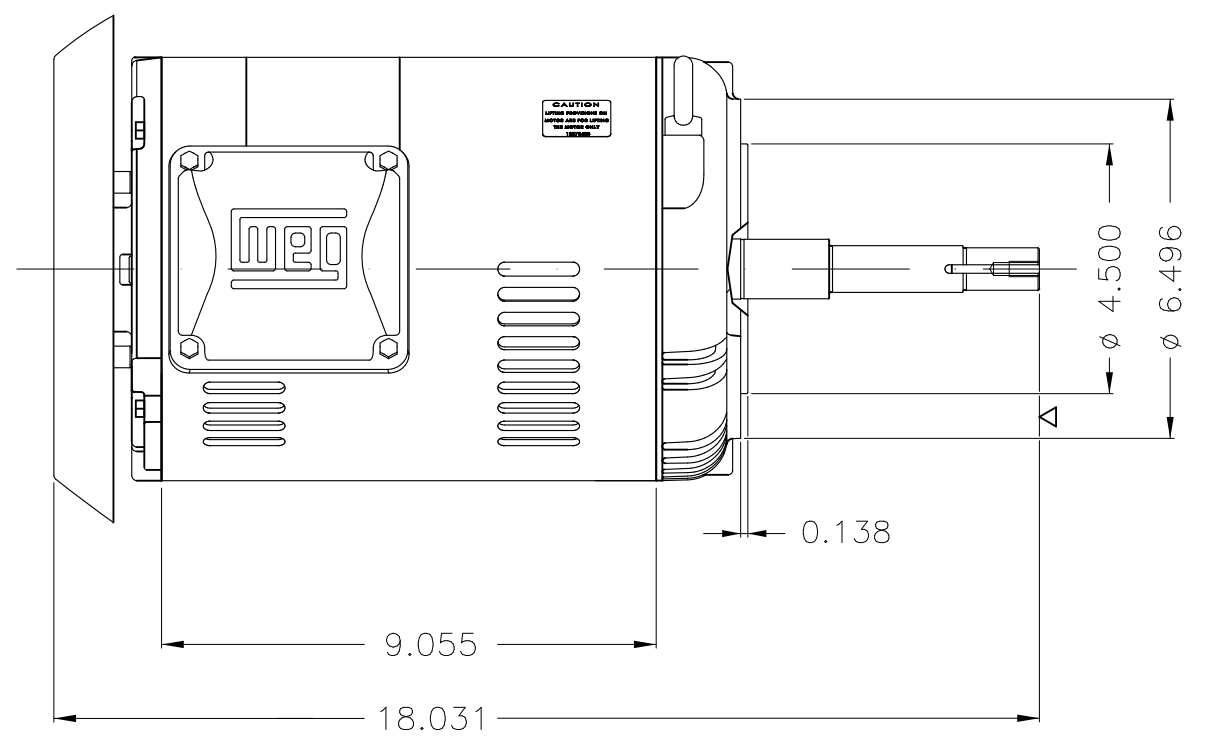
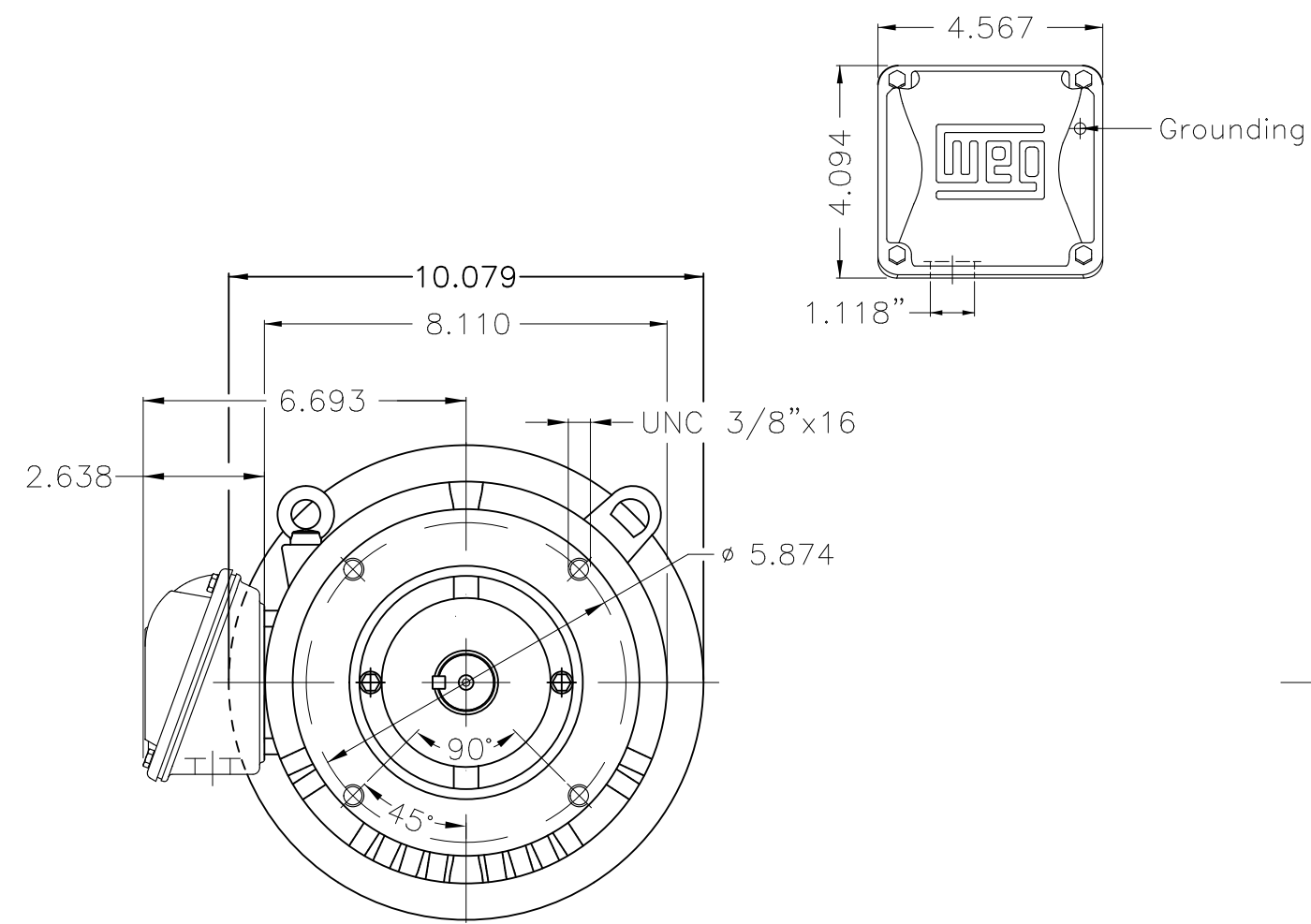
Rated current : 19.9/9.97 A
 LRC : 7.4
 Rated torque : 11.3 ft.lb
 Locked rotor torque : 180 %
 Breakdown torque : 290 %
 Rated speed : 3500 rpm

Moment of inertia (J) : 0.1818 sq.ft.lb
 Duty cycle : Cont.(S1)
 Insulation class : F
 Service factor : 1.15
 Temperature rise : 80 K
 Design : B

Rev.	Changes Summary	Performed	Checked	Date
Performed by			Page 6 / 6	Revision
Checked by				
Date	13/04/2022			

1 2 3 4 5 6

A
B
C
D
E



EUNC 3/8"-16 WEG WPR-7309

DE Shaft End

Color Munsell N 1 matte black
 Painting plan 207N
 Mounting W-6/V18R(D)

ECM	LOC	SUMMARY OF MODIFICATIONS	EXECUTED	CHECKED	RELEASED	DATE	VER
EXECUTED	PIRBUSER	THREE PH. MOTOR ROLLED STEEL CLOSE COUPLED PUMP JN TYPE PSEF 182					
CHECKED		FRAME 182/4JM IP21 ODP					
RELEASED							
REL DT.	WMO	Jaragua do Sul	Product Engineering	WDD	SHEET	1 / 1	

7.5 HP 02 Poles 60 Hz

Dimensions in inches XME A3

