

DATA SHEET

Three Phase Induction Motor - Squirrel Cage



Customer :																
Product line	: JP Pump NEMA Premium Efficiency Three-Phase	Product code :	13503345													
		Catalog # :	007360T3V184JP-S													
Frame : 182/4JP Output : 7.5 HP (5.5 kW) Poles : 2 Frequency : 60 Hz Rated voltage : 200/400 V Rated current : 19.9/9.97 A L. R. Amperes : 148/73.8 A LRC : 7.4x(Code H) No load current : 7.40/3.70 A Rated speed : 3500 rpm Slip : 2.78 % Rated torque : 11.3 ft.lb Locked rotor torque : 180 % Breakdown torque : 290 % Insulation class : F Service factor : 1.15 Moment of inertia (J) : 0.1818 sq.ft.lb Design : B	Locked rotor time : 18s (cold) 10s (hot) Temperature rise : 80 K Duty cycle : Cont.(S1) Ambient temperature : -20°C to +40°C Altitude : 1000 m.a.s.l. Cooling method : IC01 - ODP Mounting : F-1 Rotation ¹ : Both (CW and CCW) Noise level ² : 65.0 dB(A) Starting method : Direct On Line Approx. weight ³ : 69.9 lb															
<table border="1" style="width: 100%; border-collapse: collapse;"> <tr> <td>Output</td> <td>25%</td> <td>50%</td> <td>75%</td> <td>100%</td> </tr> <tr> <td>Efficiency (%)</td> <td>88.3</td> <td>88.5</td> <td>88.5</td> <td>88.5</td> </tr> <tr> <td>Power Factor</td> <td>0.49</td> <td>0.76</td> <td>0.85</td> <td>0.90</td> </tr> </table>	Output	25%	50%	75%	100%	Efficiency (%)	88.3	88.5	88.5	88.5	Power Factor	0.49	0.76	0.85	0.90	Foundation loads Max. traction : 173 lb Max. compression : 243 lb
Output	25%	50%	75%	100%												
Efficiency (%)	88.3	88.5	88.5	88.5												
Power Factor	0.49	0.76	0.85	0.90												
	<u>Drive end</u> Bearing type : 6207 ZZ Sealing : Without Bearing Seal Lubrication interval : - Lubricant amount : - Lubricant type : Mobil Polyrex EM	<u>Non drive end</u> Bearing type : 6205 ZZ Sealing : Without Bearing Seal Lubrication interval : - Lubricant amount : - Lubricant type : Mobil Polyrex EM														
Notes																
This revision replaces and cancel the previous one, which must be eliminated. (1) Looking the motor from the shaft end. (2) Measured at 1m and with tolerance of +3dB(A). (3) Approximate weight subject to changes after manufacturing process. (4) At 100% of full load.	These are average values based on tests with sinusoidal power supply, subject to the tolerances stipulated in NEMA MG-1.															
Rev.	Changes Summary	Performed	Checked	Date												
Performed by																
Checked by			Page	Revision												
Date	13/04/2022		1 / 6													

TORQUE AND CURRENT VS SPEED CURVE

Three Phase Induction Motor - Squirrel Cage



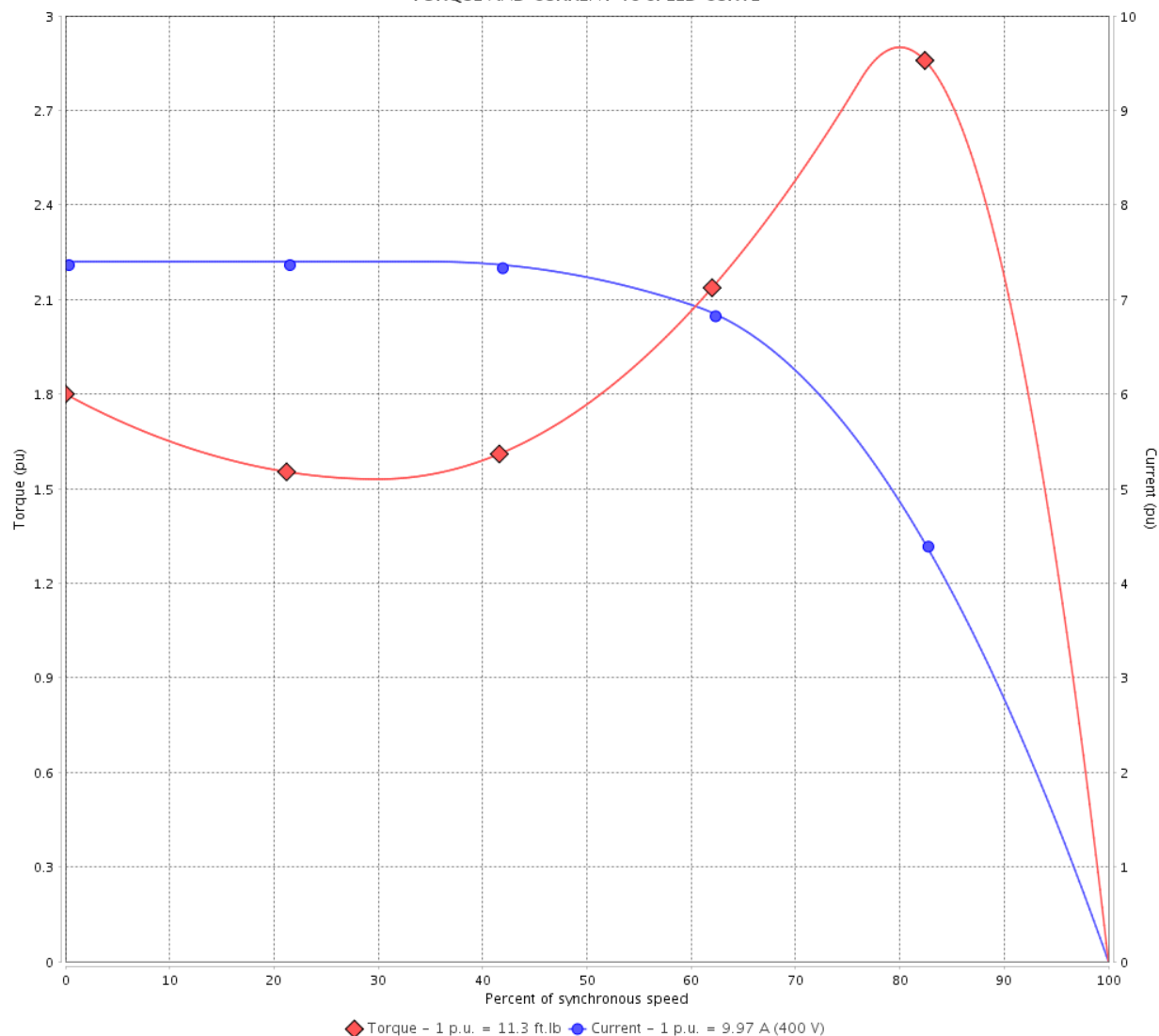
Customer :

Product line : JP Pump NEMA Premium Efficiency Three-Phase

Product code : 13503345

Catalog # : 007360T3V184JP-S

TORQUE AND CURRENT VS SPEED CURVE



Performance : 200/400 V 60 Hz 2P

Rated current : 19.9/9.97 A
 LRC : 7.4
 Rated torque : 11.3 ft.lb
 Locked rotor torque : 180 %
 Breakdown torque : 290 %
 Rated speed : 3500 rpm

Moment of inertia (J) : 0.1818 sq.ft.lb
 Duty cycle : Cont.(S1)
 Insulation class : F
 Service factor : 1.15
 Temperature rise : 80 K
 Design : B

Locked rotor time : 18s (cold) 10s (hot)

Rev.	Changes Summary	Performed	Checked	Date
Performed by			Page 2 / 6	Revision
Checked by				
Date	13/04/2022			

LOAD PERFORMANCE CURVE

Three Phase Induction Motor - Squirrel Cage

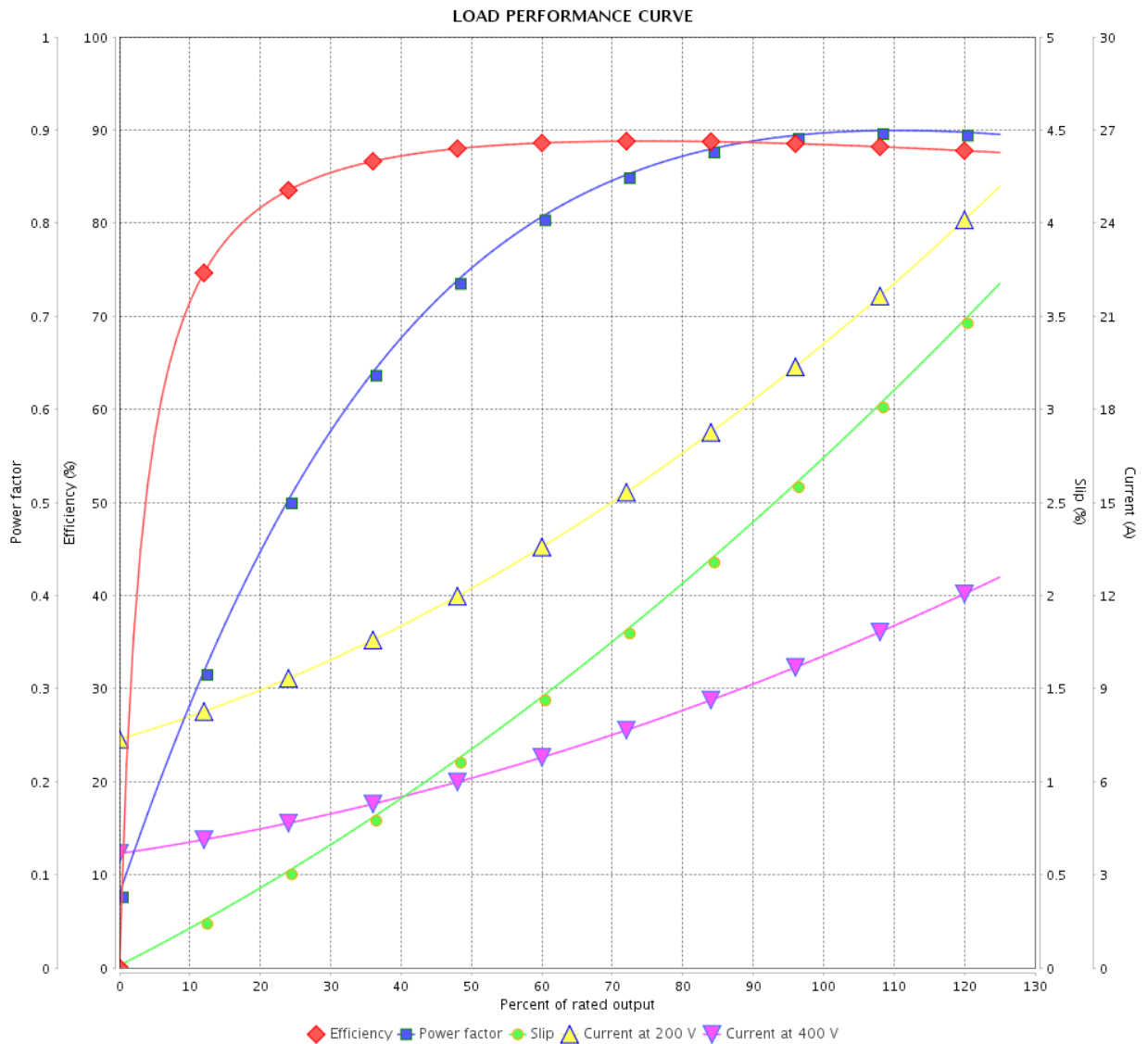


Customer : _____

Product line : JP Pump NEMA Premium
Efficiency Three-Phase

Product code : 13503345

Catalog # : 007360T3V184JP-S



Performance : 200/400 V 60 Hz 2P

Rated current : 19.9/9.97 A
 LRC : 7.4
 Rated torque : 11.3 ft.lb
 Locked rotor torque : 180 %
 Breakdown torque : 290 %
 Rated speed : 3500 rpm

Moment of inertia (J) : 0.1818 sq.ft.lb
 Duty cycle : Cont.(S1)
 Insulation class : F
 Service factor : 1.15
 Temperature rise : 80 K
 Design : B

Rev.	Changes Summary	Performed	Checked	Date
Performed by			Page	Revision
Checked by				
Date				
			3 / 6	

THERMAL LIMIT CURVE



Three Phase Induction Motor - Squirrel Cage

Customer :

Product line : JP Pump NEMA Premium
Efficiency Three-Phase

Product code : 13503345

Catalog # : 00736OT3V184JP-S

Performance : 200/400 V 60 Hz 2P

Rated current : 19.9/9.97 A
LRC : 7.4
Rated torque : 11.3 ft.lb
Locked rotor torque : 180 %
Breakdown torque : 290 %
Rated speed : 3500 rpm

Moment of inertia (J) : 0.1818 sq.ft.lb
Duty cycle : Cont.(S1)
Insulation class : F
Service factor : 1.15
Temperature rise : 80 K
Design : B

Heating constant

Cooling constant

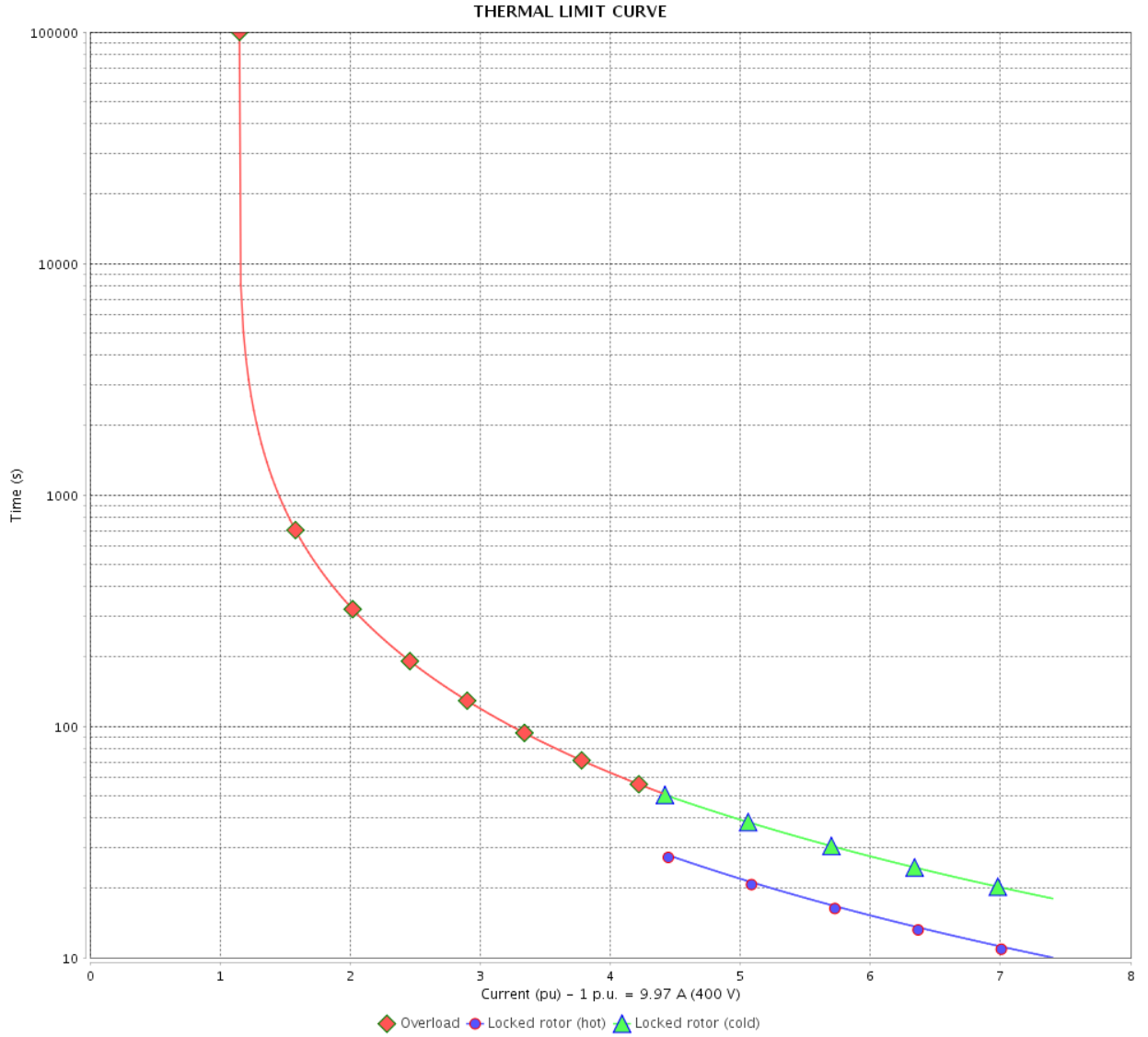
Rev.	Changes Summary	Performed	Checked	Date
Performed by				
Checked by			Page	Revision
Date	13/04/2022		4 / 6	

THERMAL LIMIT CURVE

Three Phase Induction Motor - Squirrel Cage



Customer : _____



Rev.	Changes Summary	Performed	Checked	Date
Performed by		Page 5 / 6		Revision
Checked by				
Date				

VFD OPERATION CURVE

Three Phase Induction Motor - Squirrel Cage



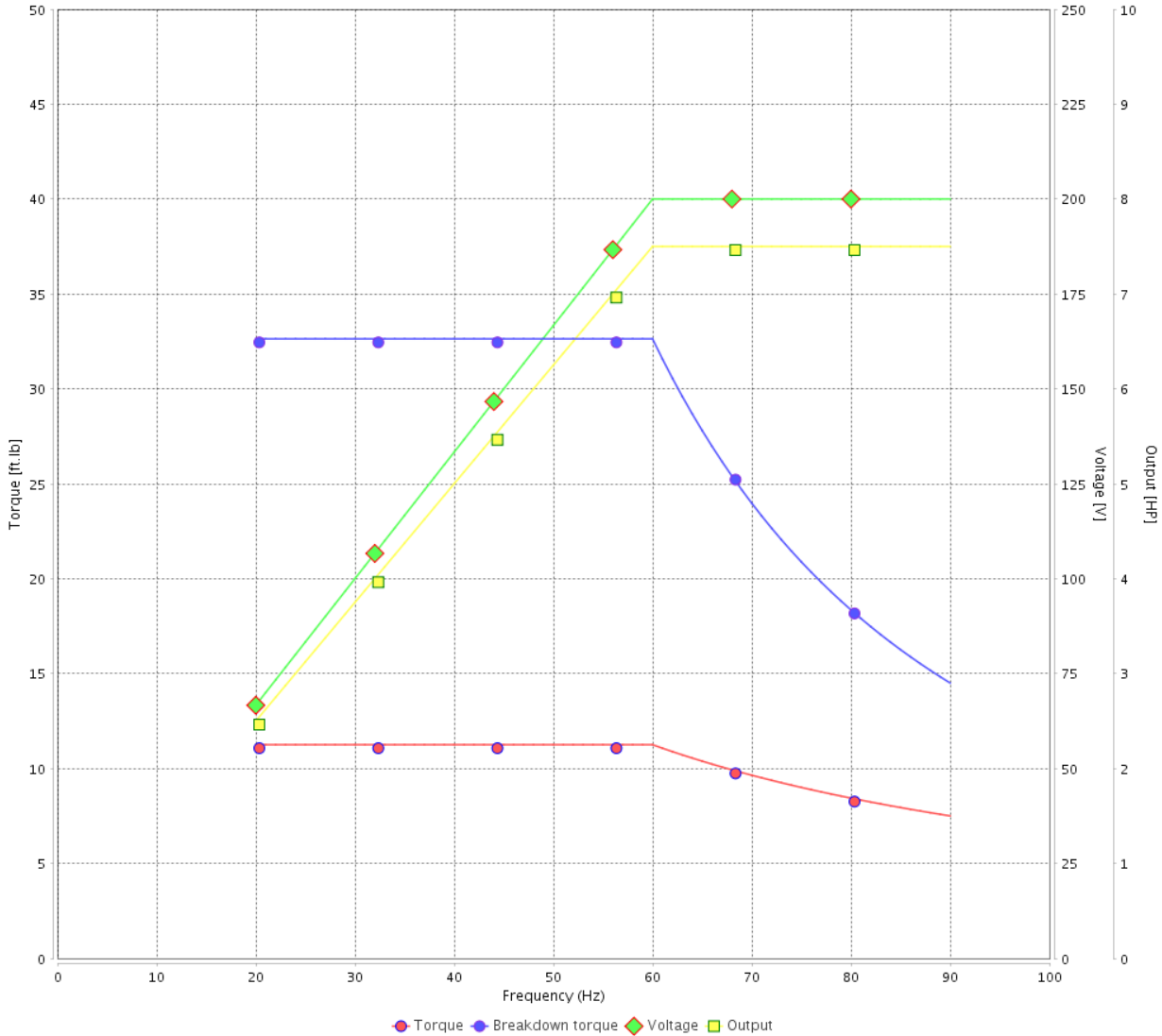
Customer :

Product line : JP Pump NEMA Premium Efficiency Three-Phase

Product code : 13503345

Catalog # : 007360T3V184JP-S

VFD OPERATION CURVE



Performance : 200/400 V 60 Hz 2P

Rated current : 19.9/9.97 A
 LRC : 7.4
 Rated torque : 11.3 ft.lb
 Locked rotor torque : 180 %
 Breakdown torque : 290 %
 Rated speed : 3500 rpm

Moment of inertia (J) : 0.1818 sq.ft.lb
 Duty cycle : Cont.(S1)
 Insulation class : F
 Service factor : 1.15
 Temperature rise : 80 K
 Design : B

Rev.	Changes Summary	Performed	Checked	Date
Performed by			Page 6 / 6	Revision
Checked by				
Date	13/04/2022			

1 2 3 4 5 6

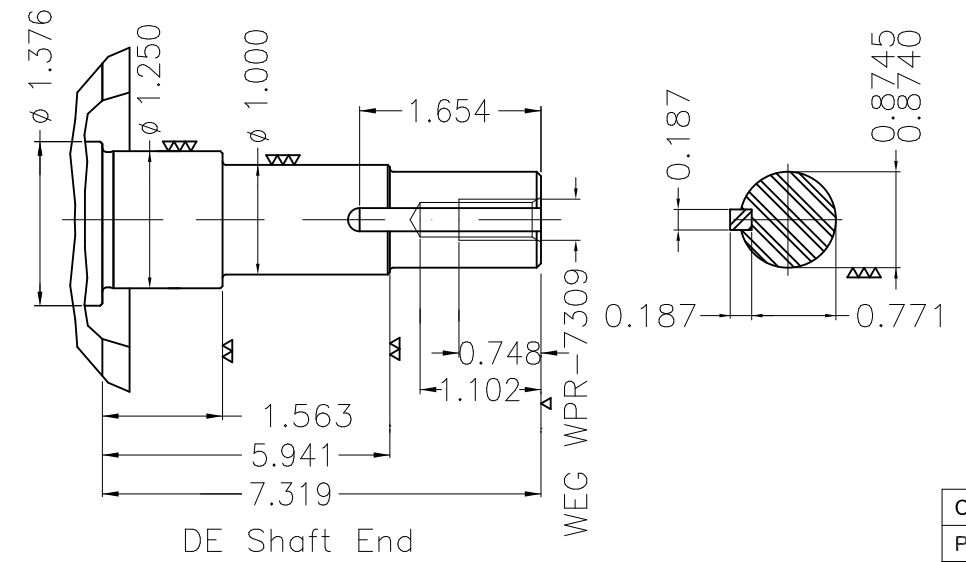
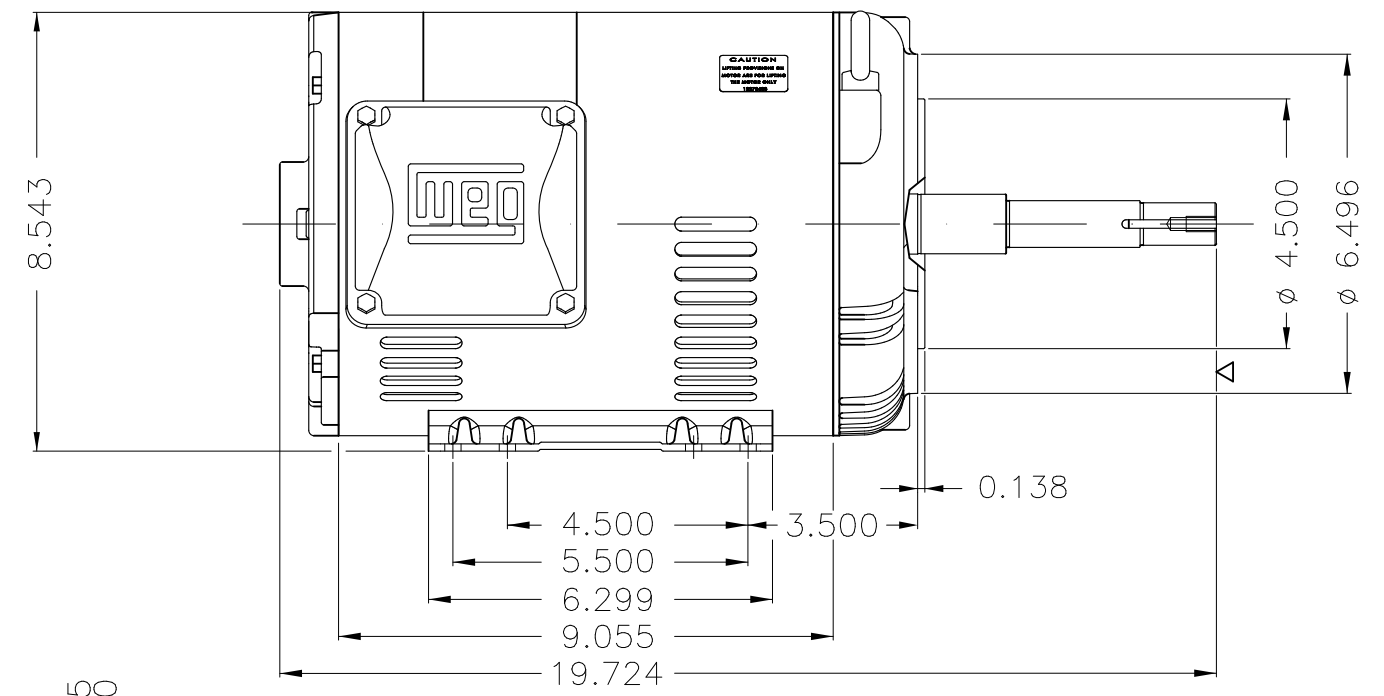
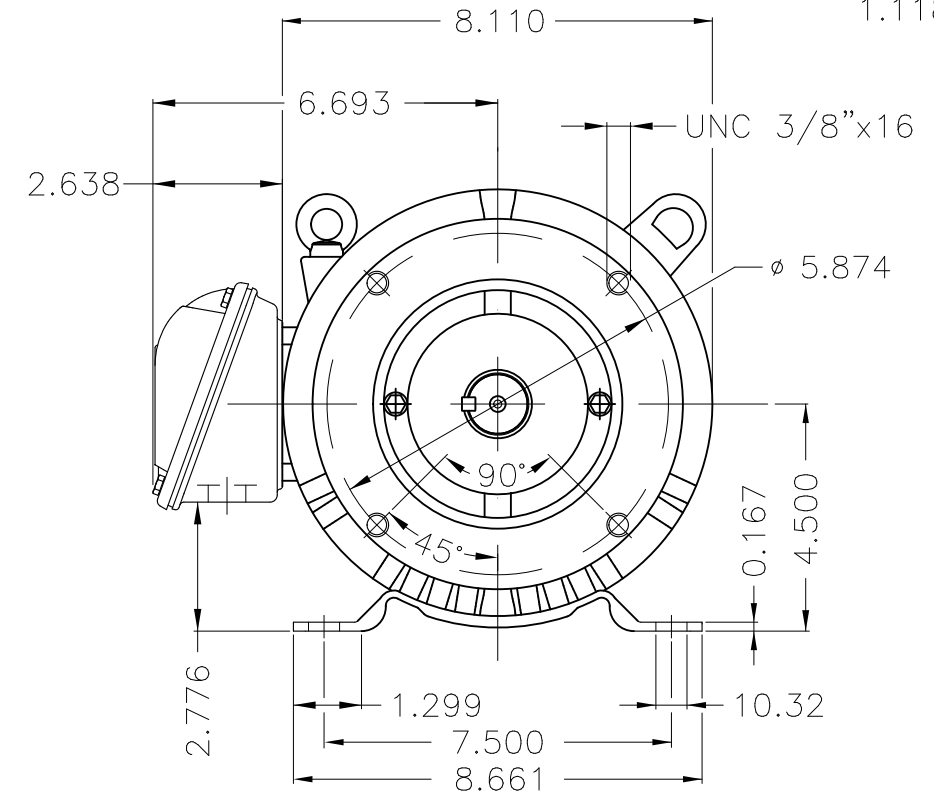
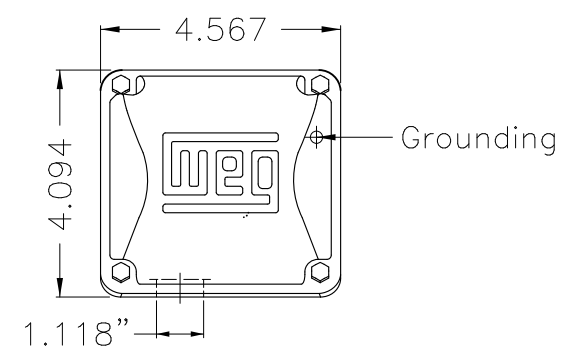
A

B

C

D

E



EUNC 3/8"-16 WEG WPR-7309

DE Shaft End

Color Munsell N 1 matte black
 Painting plan 207N
 Mounting F-1/B34R(D)

ECM	LOC	SUMMARY OF MODIFICATIONS	EXECUTED	CHECKED	RELEASED	DATE	VER
EXECUTED	PIRWBUSER	THREE PH. MOTOR ROLLED STEEL CLOSE COUPLED PUMP JP 3/4 DE PRELIMET					
CHECKED		FRAME 182/4JP IP21 ODP					
RELEASED							
REL DT.	WMO	Jaragua do Sul	Product Engineering	WDD	SHEET	1 / 1	

7.5 HP 02 Poles 60 Hz

