

# DATA SHEET

## Three Phase Induction Motor - Squirrel Cage



Customer		:	
Product line	: JP Pump NEMA Premium Efficiency Three-Phase	Product code :	14328056
		Catalog # :	01012ET3E256JP-S
Frame	: 254/6JP	Cooling method	: IC411 - TEFC
Insulation class	: F	Mounting	: F-1
Duty cycle	: Cont.(S1)	Rotation <sup>1</sup>	: Both (CW and CCW)
Ambient temperature	: -20°C to +40°C	Starting method	: Direct On Line
Altitude	: 1000 m.a.s.l.	Approx. weight <sup>2</sup>	: 287 lb
Protection degree	: IP55	Moment of inertia (J)	: 2.83 sq.ft.lb
Design	: B		
Output [HP]	10	7.5	7.5
Poles	6	6	6
Frequency [Hz]	60	50	50
Rated voltage [V]	230/460	190/380	220/415
Rated current [A]	27.6/13.8	25.0/12.5	23.4/12.4
L. R. Amperes [A]	149/74.5	138/68.7	140/74.4
LRC [A]	5.4x(Code G)	5.5x(Code G)	6.0x(Code H)
No load current [A]	14.2/7.12	14.1/7.03	14.3/7.56
Rated speed [RPM]	1175	975	980
Slip [%]	2.08	2.50	2.00
Rated torque [ft.lb]	44.7	40.4	40.2
Locked rotor torque [%]	210	210	250
Breakdown torque [%]	229	250	280
Service factor	1.15	1.15	1.15
Temperature rise	80 K	80 K	80 K
Locked rotor time	54s (cold) 30s (hot)	0s (cold) 0s (hot)	0s (cold) 0s (hot)
Noise level <sup>2</sup>	59.0 dB(A)	57.0 dB(A)	57.0 dB(A)
Efficiency (%)	25%	90.0	89.5
	50%	90.2	89.5
	75%	91.0	90.5
	100%	91.0	90.2
Power Factor	25%	0.33	0.31
	50%	0.57	0.54
	75%	0.69	0.66
	100%	0.75	0.74
Bearing type	: <u>Drive end</u> 6309 Z C3 <u>Non drive end</u> 6208 Z C3	Foundation loads	
Sealing	: V'Ring Without Bearing Seal	Max. traction	: 396 lb
		Max. compression	: 683 lb
Lubrication interval	: 20000 h 20000 h		
Lubricant amount	: 13 g 8 g		
Lubricant type	: Mobil Polyrex EM		
Notes USABLE @208V 30.5A SF 1.00 SFA 30.5A			
This revision replaces and cancel the previous one, which must be eliminated. (1) Looking the motor from the shaft end. (2) Measured at 1m and with tolerance of +3dB(A). (3) Approximate weight subject to changes after manufacturing process. (4) At 100% of full load.		These are average values based on tests with sinusoidal power supply, subject to the tolerances stipulated in NEMA MG-1.	
Rev.	Changes Summary	Performed	Checked
			Date
Performed by			
Checked by			Page
Date	12/04/2022		Revision
			1 / 16

# TORQUE AND CURRENT VS SPEED CURVE

Three Phase Induction Motor - Squirrel Cage



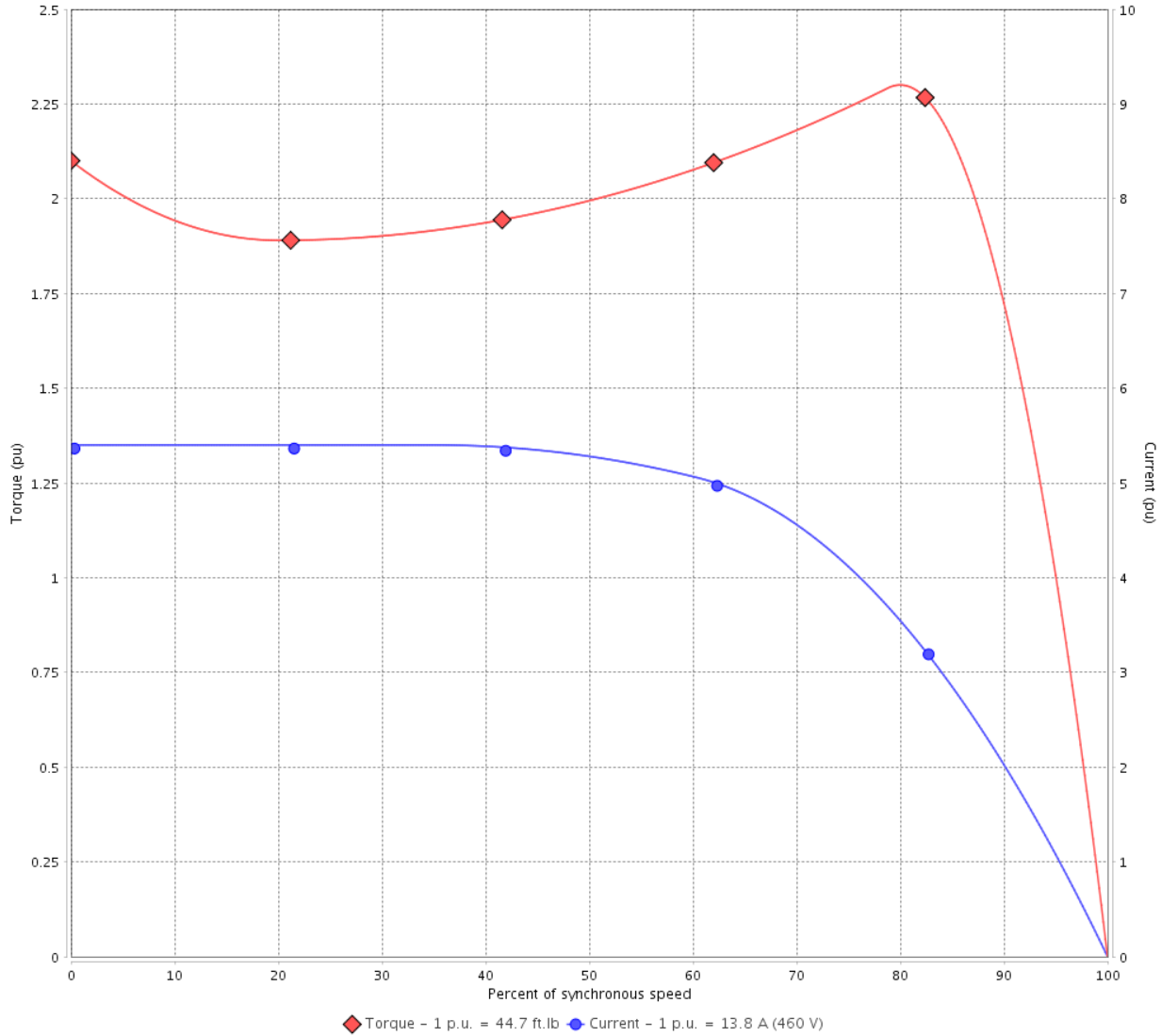
Customer :

Product line : JP Pump NEMA Premium  
Efficiency Three-Phase

Product code : 14328056

Catalog # : 01012ET3E256JP-S

TORQUE AND CURRENT VS SPEED CURVE



Performance : 230/460 V 60 Hz 6P

Rated current	: 27.6/13.8 A	Moment of inertia (J)	: 2.83 sq.ft.lb
LRC	: 5.4	Duty cycle	: Cont.(S1)
Rated torque	: 44.7 ft.lb	Insulation class	: F
Locked rotor torque	: 210 %	Service factor	: 1.15
Breakdown torque	: 229 %	Temperature rise	: 80 K
Rated speed	: 1175 rpm	Design	: B

Locked rotor time : 54s (cold) 30s (hot)

Rev.	Changes Summary	Performed	Checked	Date
Performed by			Page 2 / 16	Revision
Checked by				
Date	12/04/2022			

# TORQUE AND CURRENT VS SPEED CURVE



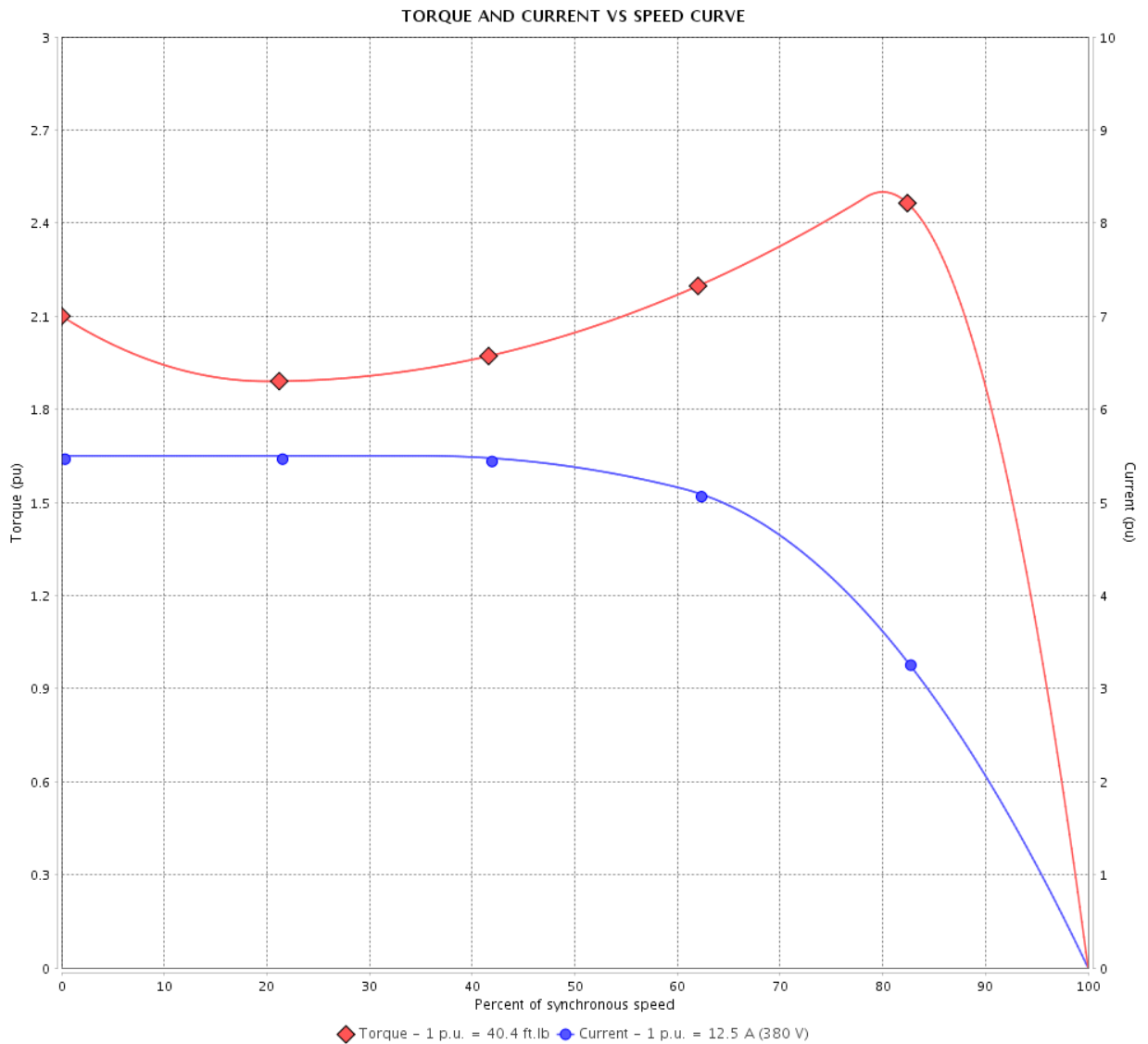
## Three Phase Induction Motor - Squirrel Cage

Customer :

Product line : JP Pump NEMA Premium Efficiency Three-Phase

Product code : 14328056

Catalog # : 01012ET3E256JP-S



Performance : 190/380 V 50 Hz 6P

Rated current : 25.0/12.5 A  
 LRC : 5.5  
 Rated torque : 40.4 ft.lb  
 Locked rotor torque : 210 %  
 Breakdown torque : 250 %  
 Rated speed : 975 rpm

Moment of inertia (J) : 2.83 sq.ft.lb  
 Duty cycle : Cont.(S1)  
 Insulation class : F  
 Service factor : 1.15  
 Temperature rise : 80 K  
 Design : B

Locked rotor time : 0s (cold) 0s (hot)

Rev.	Changes Summary	Performed	Checked	Date
Performed by			Page 3 / 16	Revision
Checked by				
Date	12/04/2022			

# TORQUE AND CURRENT VS SPEED CURVE

Three Phase Induction Motor - Squirrel Cage



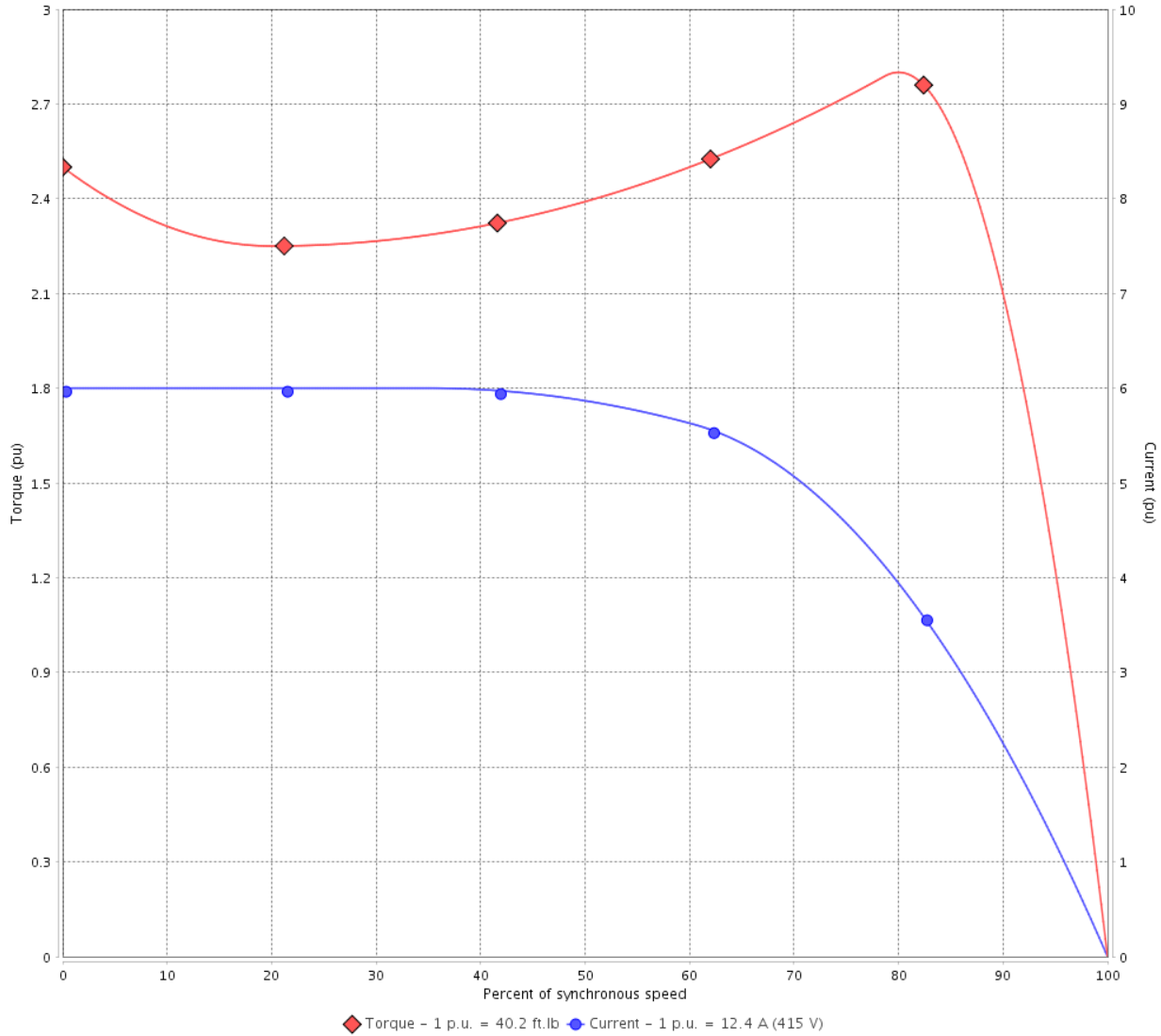
Customer :

Product line : JP Pump NEMA Premium Efficiency Three-Phase

Product code : 14328056

Catalog # : 01012ET3E256JP-S

TORQUE AND CURRENT VS SPEED CURVE



Performance : 220/415 V 50 Hz 6P

Rated current	: 23.4/12.4 A	Moment of inertia (J)	: 2.83 sq.ft.lb
LRC	: 6.0	Duty cycle	: Cont.(S1)
Rated torque	: 40.2 ft.lb	Insulation class	: F
Locked rotor torque	: 250 %	Service factor	: 1.15
Breakdown torque	: 280 %	Temperature rise	: 80 K
Rated speed	: 980 rpm	Design	: B

Locked rotor time : 0s (cold) 0s (hot)

Rev.	Changes Summary	Performed	Checked	Date
Performed by			Page 4 / 16	Revision
Checked by				
Date	12/04/2022			

# LOAD PERFORMANCE CURVE

## Three Phase Induction Motor - Squirrel Cage

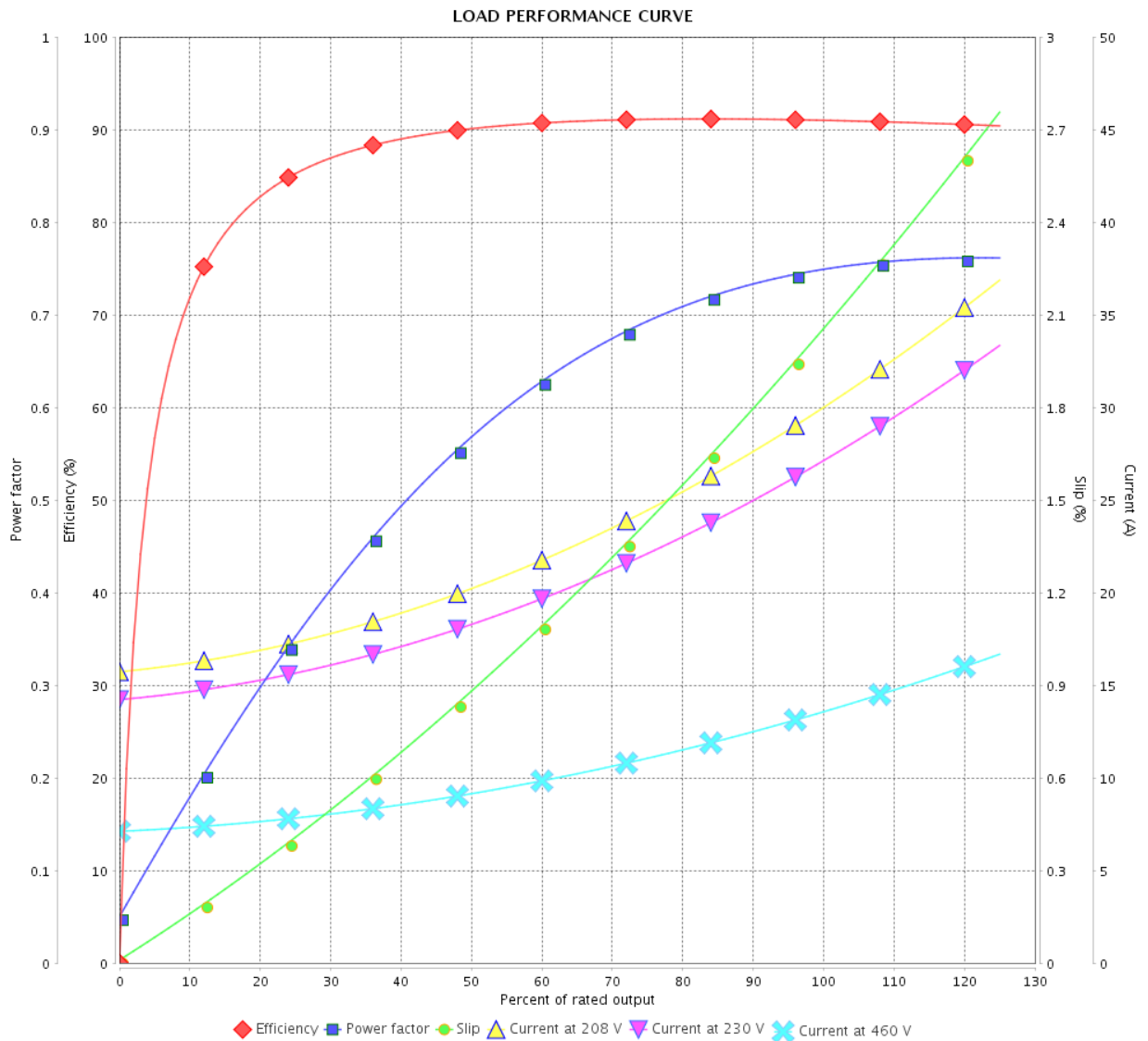


Customer :

Product line : JP Pump NEMA Premium Efficiency Three-Phase

Product code : 14328056

Catalog # : 01012ET3E256JP-S



Performance : 230/460 V 60 Hz 6P

Rated current : 27.6/13.8 A  
 LRC : 5.4  
 Rated torque : 44.7 ft.lb  
 Locked rotor torque : 210 %  
 Breakdown torque : 229 %  
 Rated speed : 1175 rpm

Moment of inertia (J) : 2.83 sq.ft.lb  
 Duty cycle : Cont.(S1)  
 Insulation class : F  
 Service factor : 1.15  
 Temperature rise : 80 K  
 Design : B

Rev.	Changes Summary	Performed	Checked	Date
Performed by			Page	Revision
Checked by				
Date				

# LOAD PERFORMANCE CURVE

Three Phase Induction Motor - Squirrel Cage



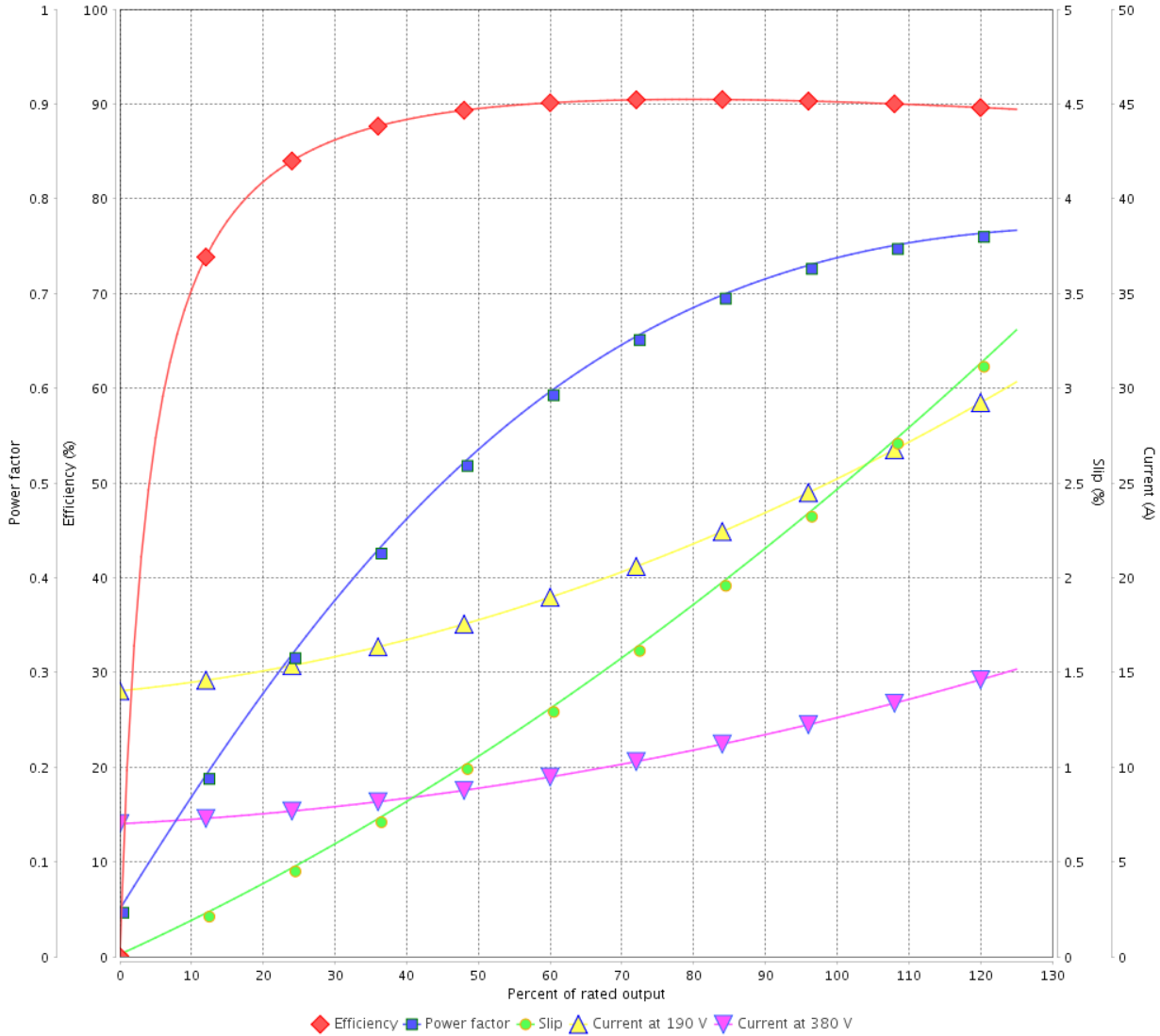
Customer :

Product line : JP Pump NEMA Premium Efficiency Three-Phase

Product code : 14328056

Catalog # : 01012ET3E256JP-S

LOAD PERFORMANCE CURVE



Performance : 190/380 V 50 Hz 6P

Rated current : 25.0/12.5 A  
 LRC : 5.5  
 Rated torque : 40.4 ft.lb  
 Locked rotor torque : 210 %  
 Breakdown torque : 250 %  
 Rated speed : 975 rpm

Moment of inertia (J) : 2.83 sq.ft.lb  
 Duty cycle : Cont.(S1)  
 Insulation class : F  
 Service factor : 1.15  
 Temperature rise : 80 K  
 Design : B

Rev.	Changes Summary	Performed	Checked	Date
Performed by			Page	Revision
Checked by				
Date				

# LOAD PERFORMANCE CURVE

## Three Phase Induction Motor - Squirrel Cage

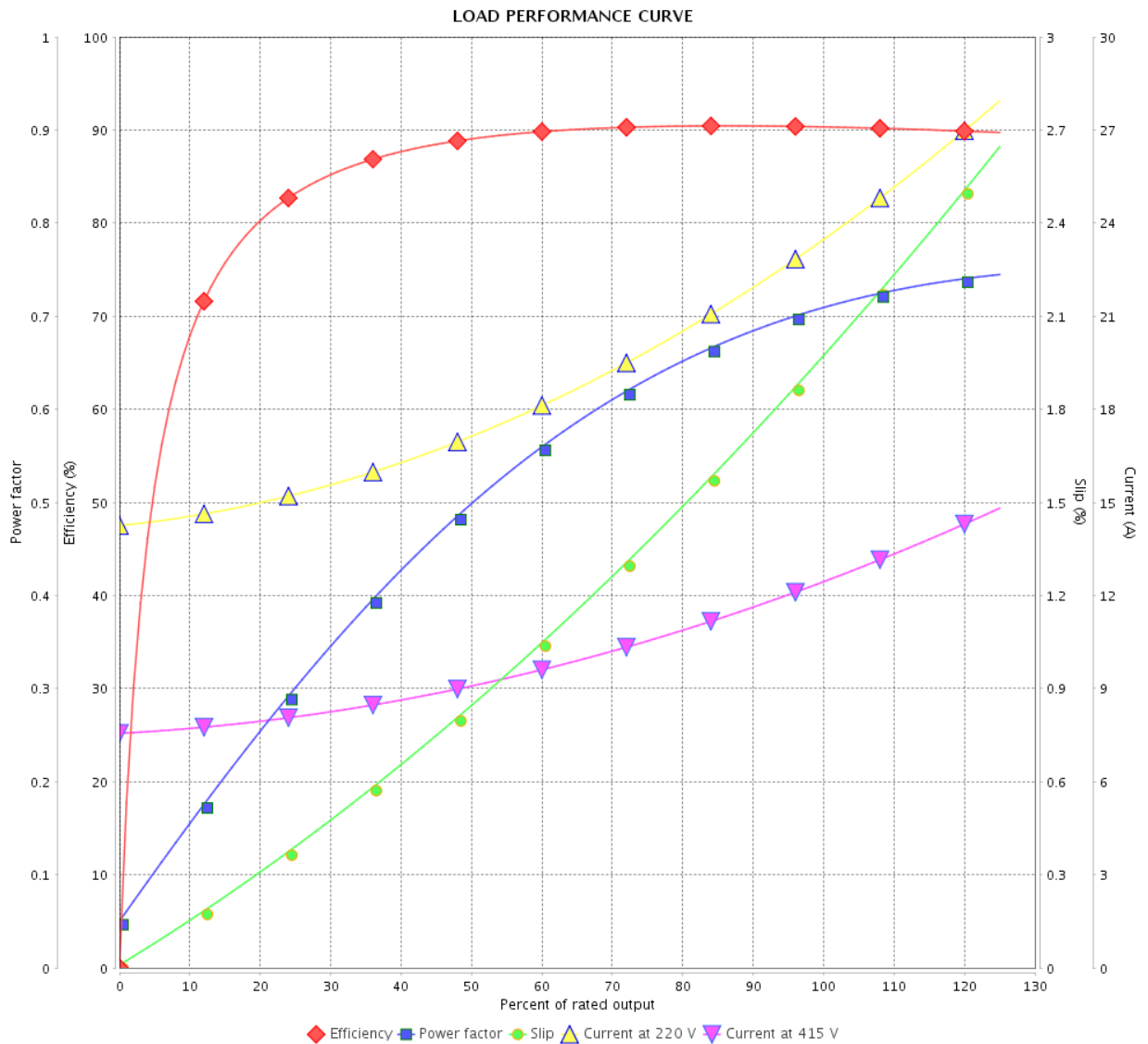


Customer :

Product line : JP Pump NEMA Premium Efficiency Three-Phase

Product code : 14328056

Catalog # : 01012ET3E256JP-S



Performance : 220/415 V 50 Hz 6P

Rated current : 23.4/12.4 A  
 LRC : 6.0  
 Rated torque : 40.2 ft.lb  
 Locked rotor torque : 250 %  
 Breakdown torque : 280 %  
 Rated speed : 980 rpm

Moment of inertia (J) : 2.83 sq.ft.lb  
 Duty cycle : Cont.(S1)  
 Insulation class : F  
 Service factor : 1.15  
 Temperature rise : 80 K  
 Design : B

Rev.	Changes Summary	Performed	Checked	Date
Performed by			Page	Revision
Checked by			7 / 16	
Date	12/04/2022			

# THERMAL LIMIT CURVE



## Three Phase Induction Motor - Squirrel Cage

Customer :

Product line : JP Pump NEMA Premium  
Efficiency Three-Phase

Product code : 14328056

Catalog # : 01012ET3E256JP-S

Performance : 230/460 V 60 Hz 6P

Rated current : 27.6/13.8 A  
LRC : 5.4  
Rated torque : 44.7 ft.lb  
Locked rotor torque : 210 %  
Breakdown torque : 229 %  
Rated speed : 1175 rpm

Moment of inertia (J) : 2.83 sq.ft.lb  
Duty cycle : Cont.(S1)  
Insulation class : F  
Service factor : 1.15  
Temperature rise : 80 K  
Design : B

Heating constant

Cooling constant

Rev.	Changes Summary	Performed	Checked	Date
Performed by				
Checked by			Page	Revision
Date	12/04/2022		8 / 16	

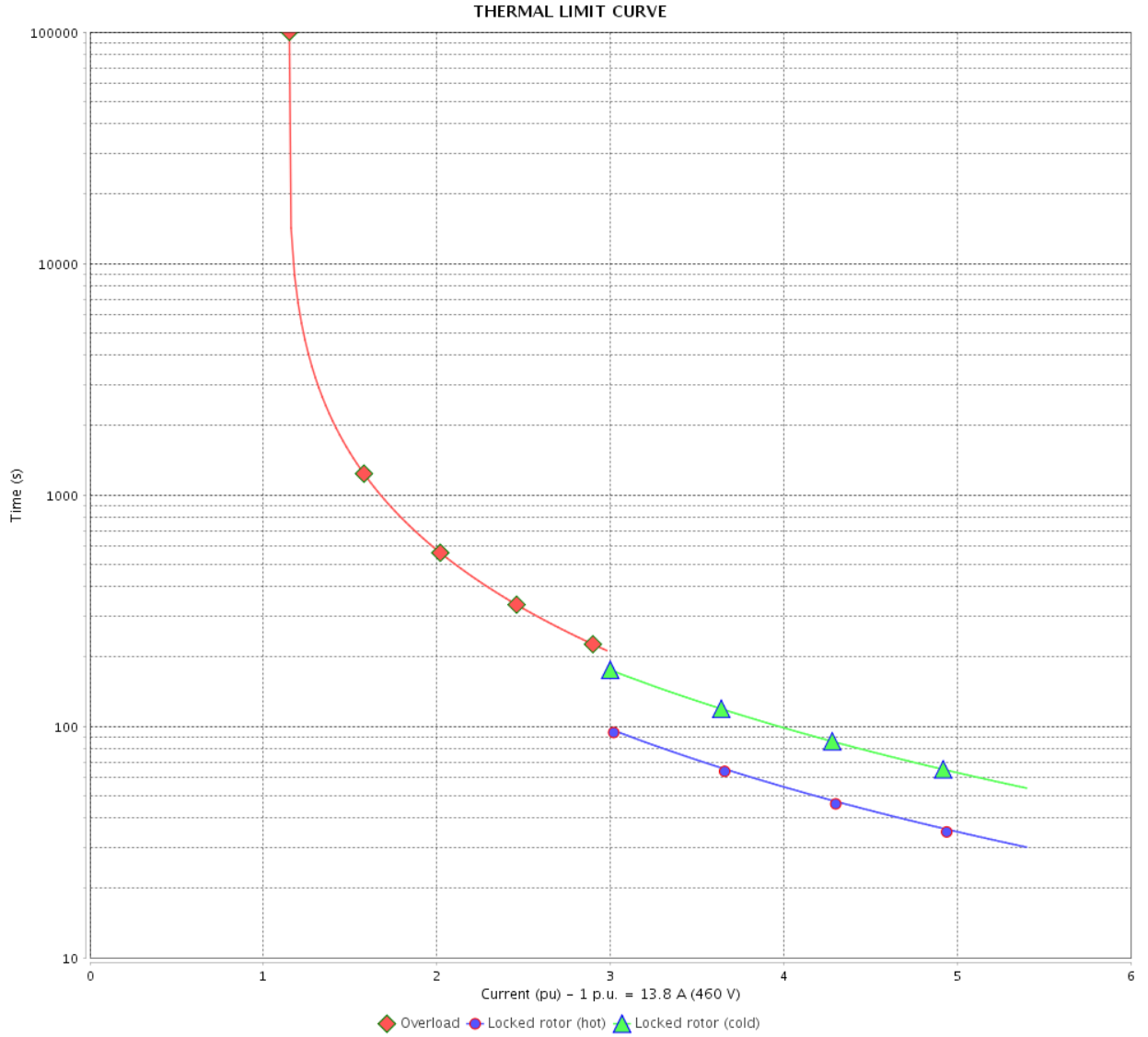


# THERMAL LIMIT CURVE

Three Phase Induction Motor - Squirrel Cage



Customer : \_\_\_\_\_



Rev.	Changes Summary	Performed	Checked	Date
Performed by				
Checked by				
Date				
		Page	Revision	
		9 / 16		

# THERMAL LIMIT CURVE



## Three Phase Induction Motor - Squirrel Cage

Customer :

Product line : JP Pump NEMA Premium  
Efficiency Three-Phase

Product code : 14328056

Catalog # : 01012ET3E256JP-S

Performance : 190/380 V 50 Hz 6P

Rated current : 25.0/12.5 A  
LRC : 5.5  
Rated torque : 40.4 ft.lb  
Locked rotor torque : 210 %  
Breakdown torque : 250 %  
Rated speed : 975 rpm

Moment of inertia (J) : 2.83 sq.ft.lb  
Duty cycle : Cont.(S1)  
Insulation class : F  
Service factor : 1.15  
Temperature rise : 80 K  
Design : B

Heating constant

Cooling constant

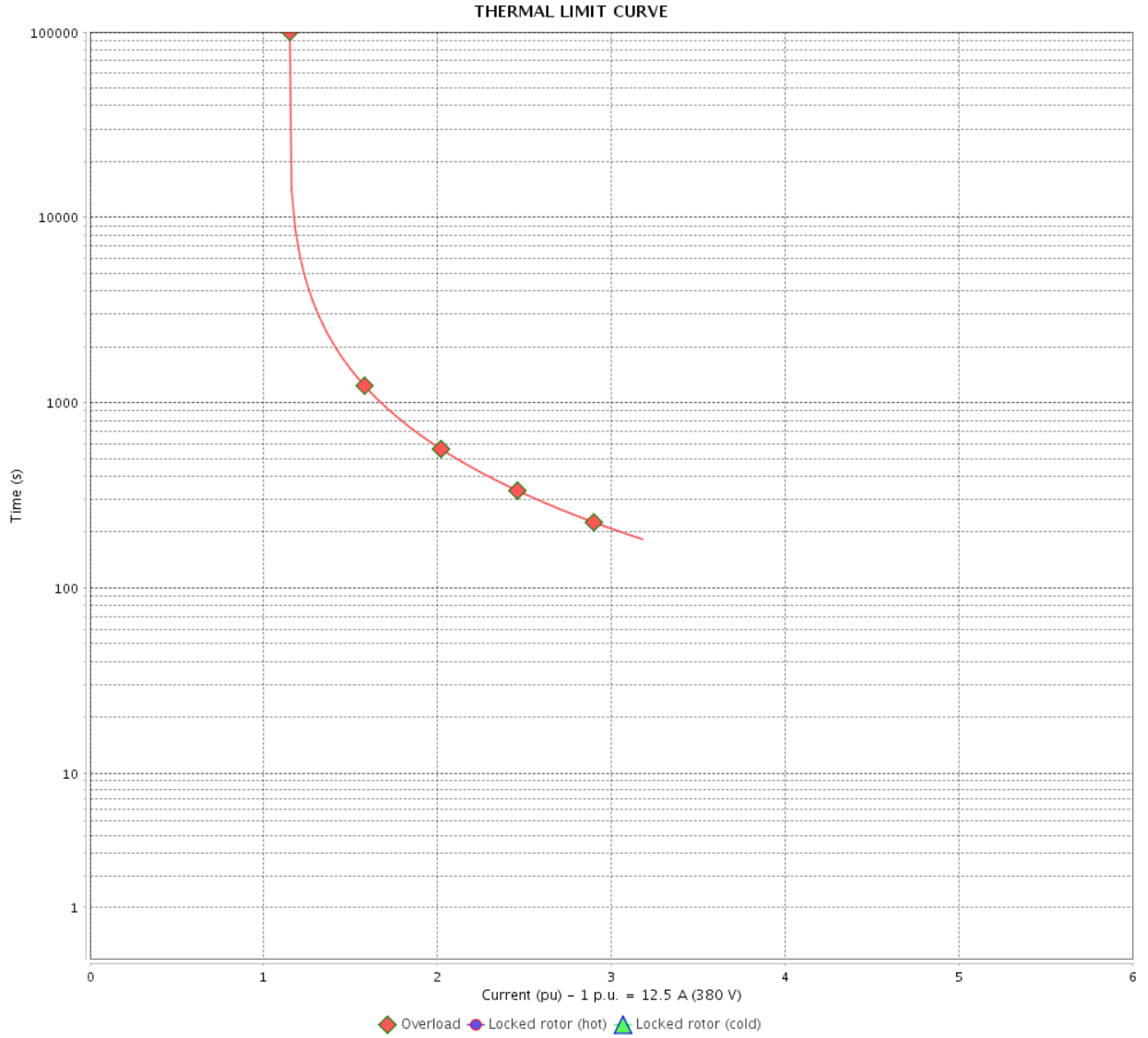
Rev.	Changes Summary	Performed	Checked	Date
Performed by				
Checked by			Page	Revision
Date	12/04/2022		10 / 16	

# THERMAL LIMIT CURVE

Three Phase Induction Motor - Squirrel Cage



Customer : \_\_\_\_\_



Rev.	Changes Summary	Performed	Checked	Date
Performed by		Page		Revision
Checked by		11 / 16		
Date		12/04/2022		

# THERMAL LIMIT CURVE



## Three Phase Induction Motor - Squirrel Cage

Customer :

Product line : JP Pump NEMA Premium  
Efficiency Three-Phase

Product code : 14328056

Catalog # : 01012ET3E256JP-S

Performance : 220/415 V 50 Hz 6P

Rated current : 23.4/12.4 A  
LRC : 6.0  
Rated torque : 40.2 ft.lb  
Locked rotor torque : 250 %  
Breakdown torque : 280 %  
Rated speed : 980 rpm

Moment of inertia (J) : 2.83 sq.ft.lb  
Duty cycle : Cont.(S1)  
Insulation class : F  
Service factor : 1.15  
Temperature rise : 80 K  
Design : B

Heating constant

Cooling constant

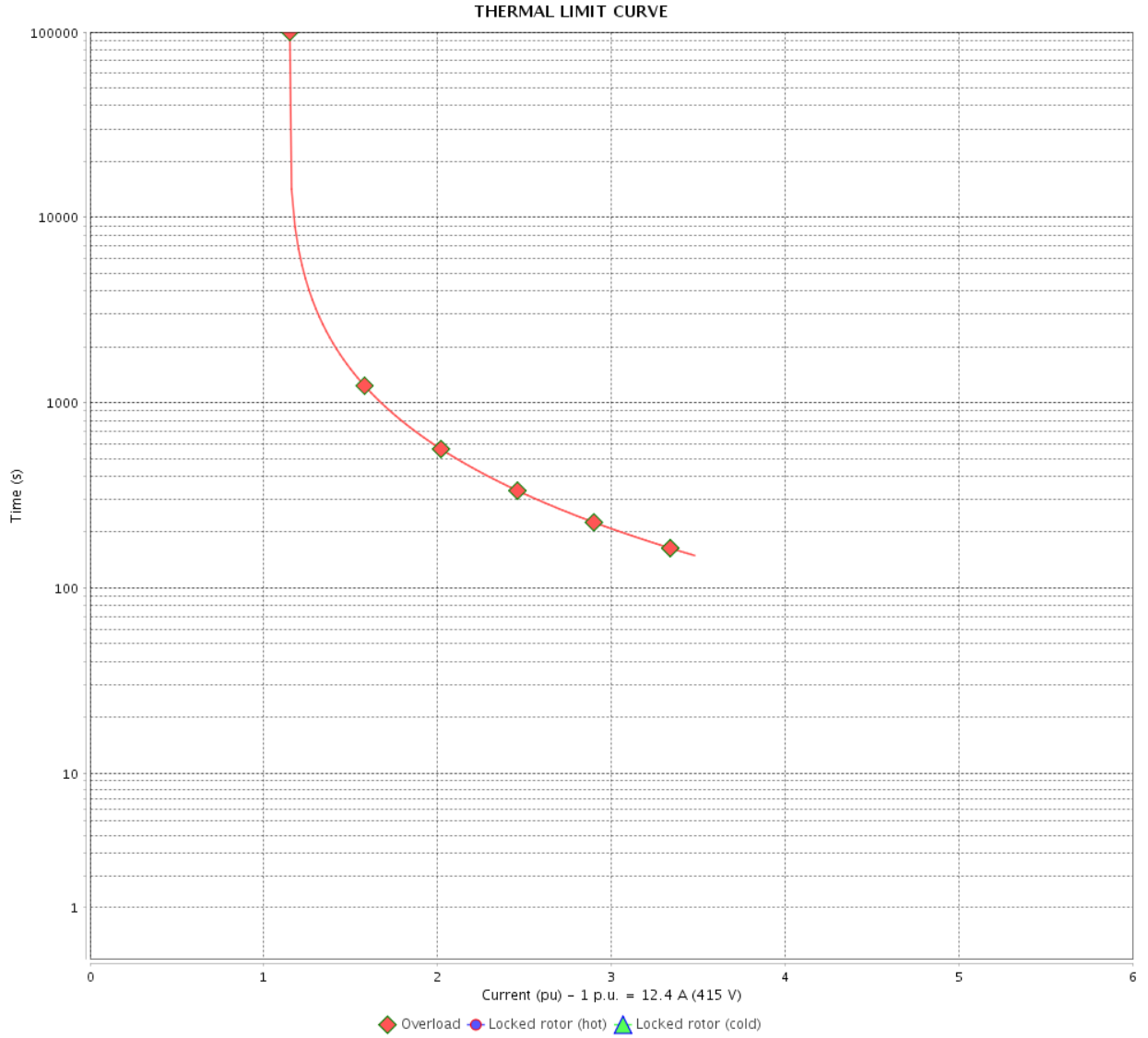
Rev.	Changes Summary	Performed	Checked	Date
Performed by				
Checked by			Page	Revision
Date	12/04/2022		12 / 16	

# THERMAL LIMIT CURVE

Three Phase Induction Motor - Squirrel Cage



Customer : \_\_\_\_\_



Rev.	Changes Summary	Performed	Checked	Date
Performed by		Page		Revision
Checked by		13 / 16		
Date		12/04/2022		

# VFD OPERATION CURVE

Three Phase Induction Motor - Squirrel Cage



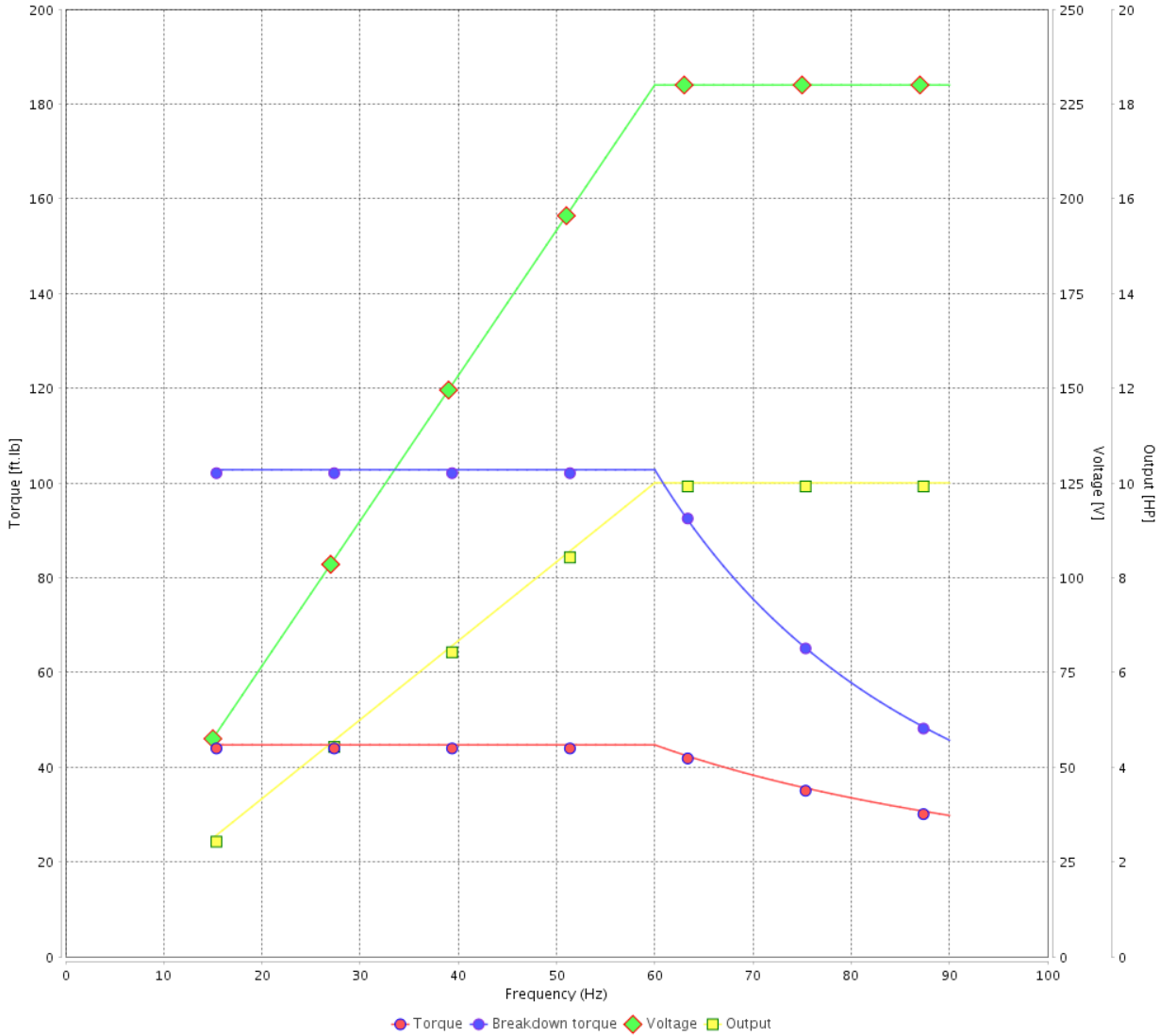
Customer :

Product line : JP Pump NEMA Premium Efficiency Three-Phase

Product code : 14328056

Catalog # : 01012ET3E256JP-S

VFD OPERATION CURVE



Performance : 230/460 V 60 Hz 6P

Rated current : 27.6/13.8 A  
 LRC : 5.4  
 Rated torque : 44.7 ft.lb  
 Locked rotor torque : 210 %  
 Breakdown torque : 229 %  
 Rated speed : 1175 rpm

Moment of inertia (J) : 2.83 sq.ft.lb  
 Duty cycle : Cont.(S1)  
 Insulation class : F  
 Service factor : 1.15  
 Temperature rise : 80 K  
 Design : B

Rev.	Changes Summary	Performed	Checked	Date
Performed by			Page 14 / 16	Revision
Checked by				
Date	12/04/2022			

# VFD OPERATION CURVE

## Three Phase Induction Motor - Squirrel Cage

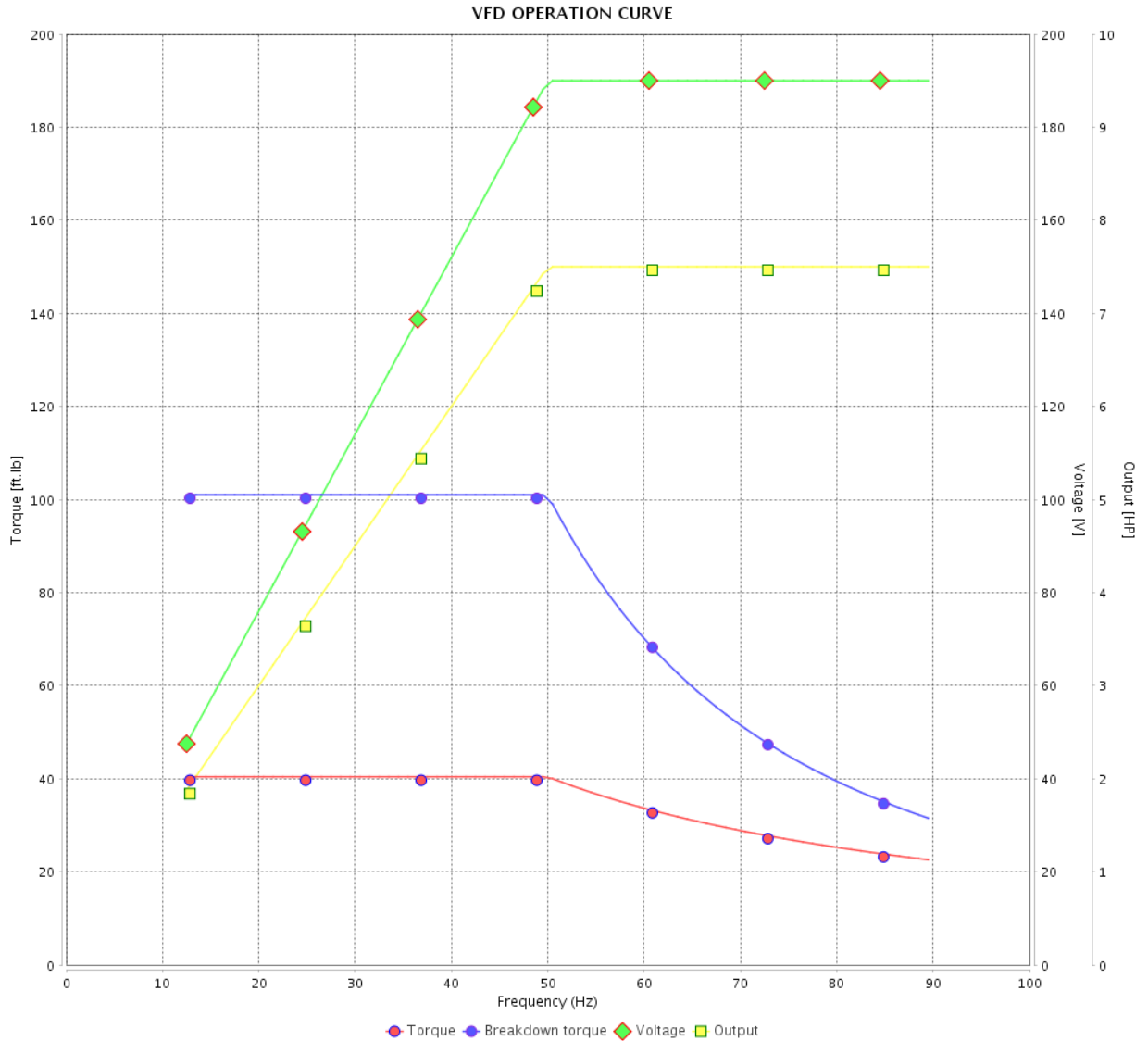


Customer :

Product line : JP Pump NEMA Premium Efficiency Three-Phase

Product code : 14328056

Catalog # : 01012ET3E256JP-S



Performance : 190/380 V 50 Hz 6P

Rated current : 25.0/12.5 A  
 LRC : 5.5  
 Rated torque : 40.4 ft.lb  
 Locked rotor torque : 210 %  
 Breakdown torque : 250 %  
 Rated speed : 975 rpm

Moment of inertia (J) : 2.83 sq.ft.lb  
 Duty cycle : Cont.(S1)  
 Insulation class : F  
 Service factor : 1.15  
 Temperature rise : 80 K  
 Design : B

Rev.	Changes Summary	Performed	Checked	Date
Performed by		Page		Revision
Checked by		15 / 16		
Date	12/04/2022			

# VFD OPERATION CURVE

Three Phase Induction Motor - Squirrel Cage



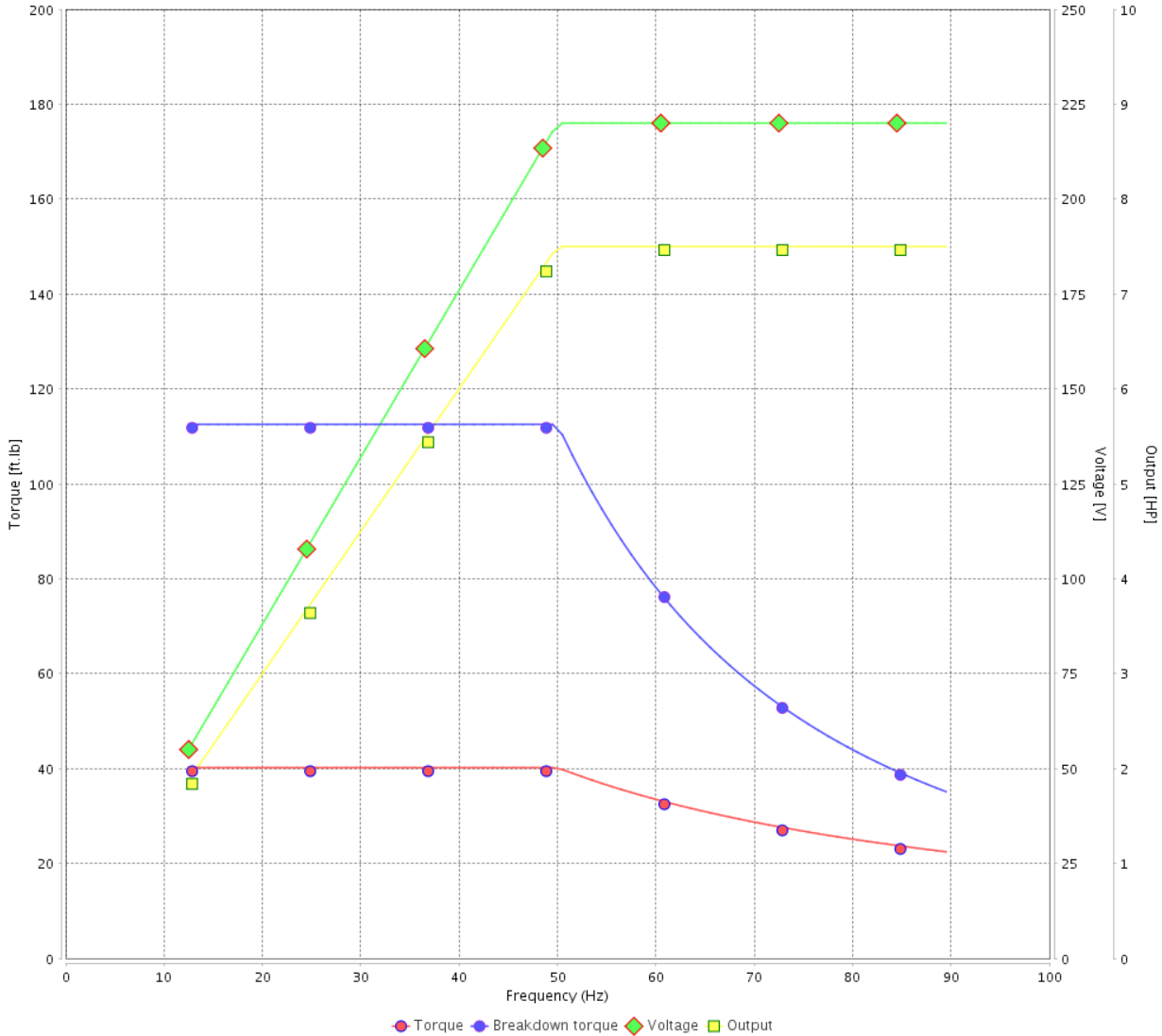
Customer :

Product line : JP Pump NEMA Premium Efficiency Three-Phase

Product code : 14328056

Catalog # : 01012ET3E256JP-S

VFD OPERATION CURVE



Performance : 220/415 V 50 Hz 6P

Rated current : 23.4/12.4 A  
 LRC : 6.0  
 Rated torque : 40.2 ft.lb  
 Locked rotor torque : 250 %  
 Breakdown torque : 280 %  
 Rated speed : 980 rpm

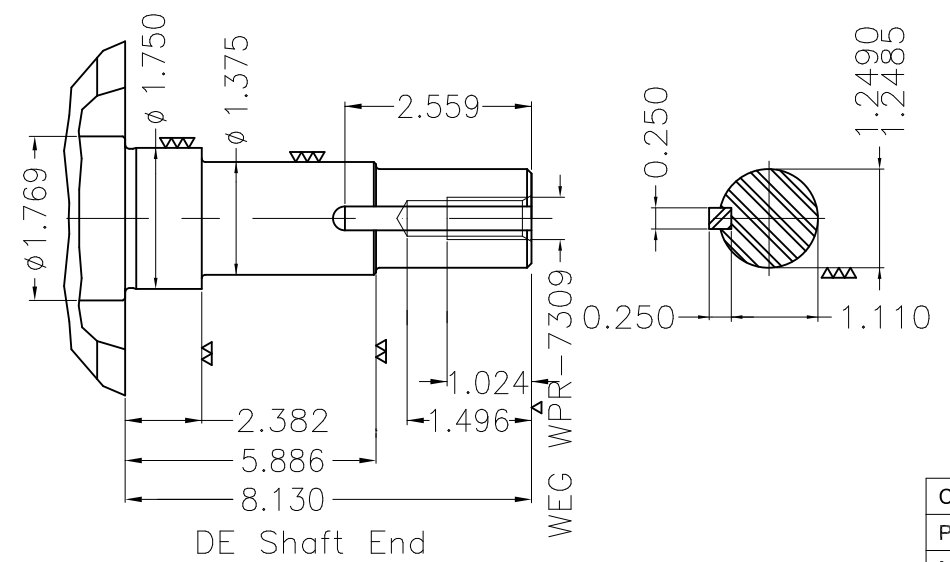
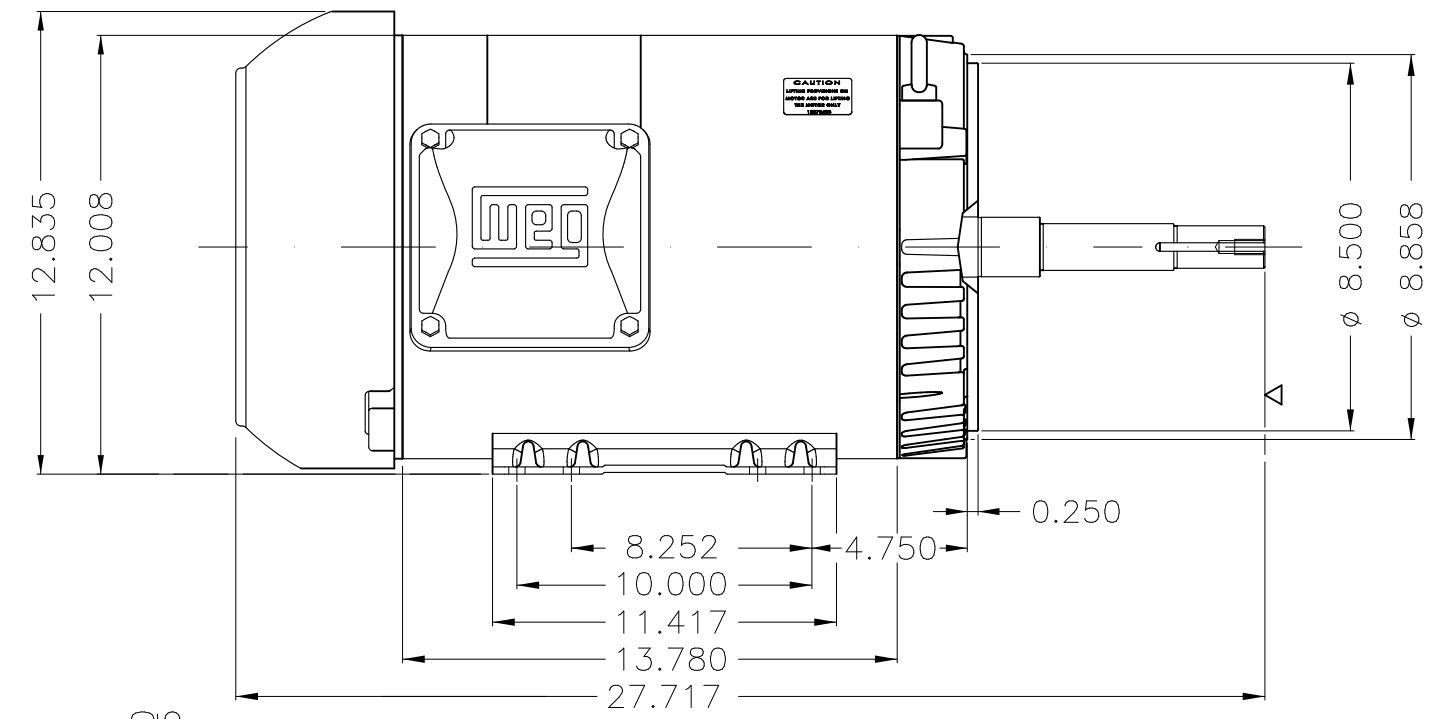
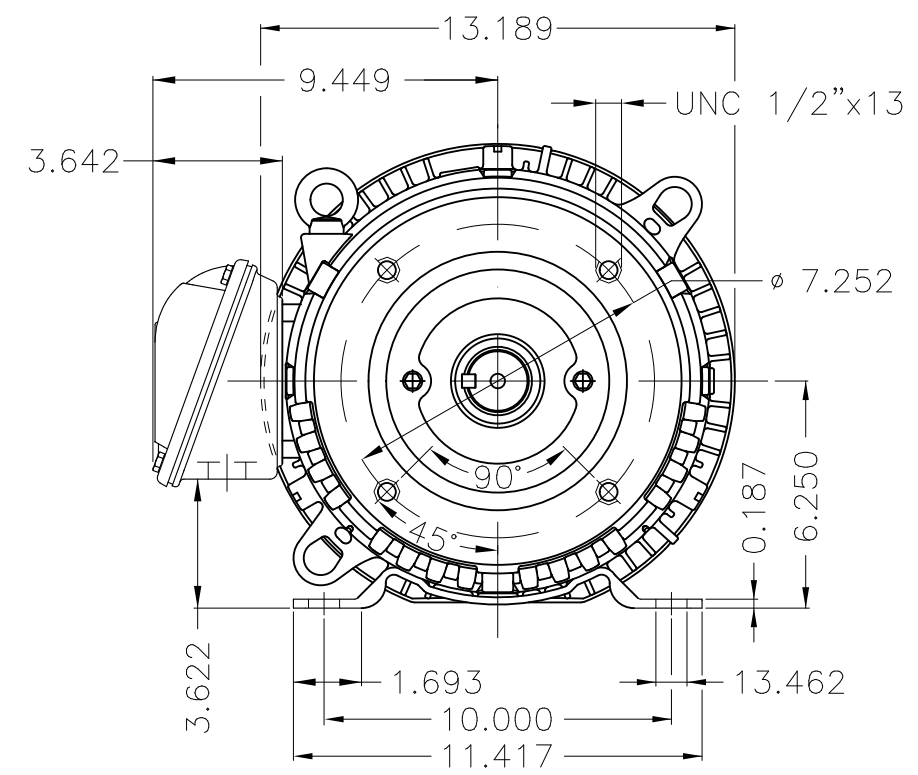
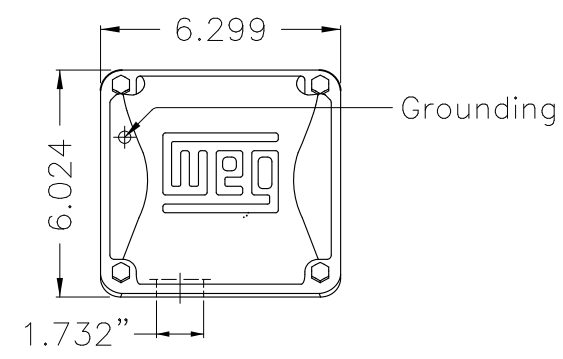
Moment of inertia (J) : 2.83 sq.ft.lb  
 Duty cycle : Cont.(S1)  
 Insulation class : F  
 Service factor : 1.15  
 Temperature rise : 80 K  
 Design : B

Rev.	Changes Summary	Performed	Checked	Date
Performed by			Page 16 / 16	Revision
Checked by				
Date	12/04/2022			



1 2 3 4 5 6

A  
B  
C  
D  
E



EUNC 1/2"-13 WEG WPR-7309

Color Munsell N 1 matte black									
Painting plan 207N									
Mounting F-1/B34R(D)									
ECM	LOC	SUMMARY OF MODIFICATIONS			EXECUTED	CHECKED	RELEASED	DATE	VER
EXECUTED	PIRWBUSER	THREE PH. MOTOR ROLLED STEEL CLOSE COUPLED PUMP JP 3/4 DE PREM LFA							
CHECKED		FRAME 254/6JP IP55 TEFC							
RELEASED									
REL DT.		WMO	Jaragua do Sul	Product Engineering					

10 HP 06 Poles 60 Hz



**NEMA**  
**Premium**



3PT9



Energy Verified

MADE IN MEXICO

**MAT: 14328056 CC029A**

**W01.TE0IC0X0N**

**MODEL 01012ET3E256JP-S**

**16FEV2021 S/N:**

**For 60Hz: Class I, Zone 2, IIC**  
**Class I, Div.2, Gr. A,B,C,D - T3**

**Div 2 Inverter Duty (SF1.00)**

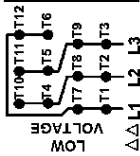
**CT 2:1/VT 1000:1**

<b>PH 3</b>	<b>Hz 60</b>	<b>HP 10</b>
<b>FR 254/6.JP</b>		<b>KW 7.5</b>
<b>DUTY CONT.</b>		<b>V 230/460</b>
<b>ALT 1000 m.a.s.l.</b>		<b>A 27.6/13.8</b>
<b>INS CL F AT 80K</b>	<b>IP55</b>	<b>SFA 31.7/15.9</b>
<b>AMB 40°C</b>	<b>DES B</b>	<b>SF 1.15</b>
<b>ENCL TEFC</b>	<b>CODE G</b>	<b>PF 0.75</b>
<b>USABLE @ 208V 30.5A</b>		<b>RPM 1175</b>
<b>SF1.00</b>		<b>NEMA</b>
		<b>NOM. EFF 91.0%</b>

<b>ALTERNATE RATING: 7.5HP 50Hz 190-220/380-415V SF1.15</b>
<b>25.0-23.4/12.5-12.4A 975RPM EFF 90.2% (IE3) IEC 60034-1</b>

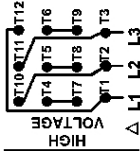
For safe area-inverter duty motor For 60Hz use on VPWM 1000:1 VT, 4:1 CT

<b>DE 6309-Z-C3</b>	<b>ODE 6208-Z-C3</b>	<b>MOBIL POLYREX EM</b>	<b>200000h</b>
---------------------	----------------------	-------------------------	----------------



**LOW**  
**VOLTAGE**

**Δ Δ L1 L2 L3**



**HIGH**  
**VOLTAGE**

**Δ L1 L2 L3**

**T1-BLU T2-WHT**  
**T3-ORG T4-YEL**  
**T5-BLK T6-GRY**  
**T7-PNK T8-RED**  
**T9-BRK RED**  
**T10-CURRY**  
**T11-GRN T12-VLT**

**INTERCHANGE ANY TWO LINE WIRES TO REVERSE THE ROTATION**

**WARNING:** Motor must be grounded in accordance with local and national electrical codes to prevent serious electrical shocks. Disconnect power source before servicing unit.



**AVERTISSEMENT:** Le moteur doit être mis à la terre conformément aux codes électriques locaux et nationaux afin d'éviter tout choc électrique grave. Déconnectez l'alimentation avant l'entretien de la machine.

