

DATA SHEET

Three Phase Induction Motor - Squirrel Cage



Customer :				
Product line	: JP Pump NEMA Premium Efficiency Three-Phase	Product code :	13500936	
		Catalog # :	01012OT3E256JPV-S	
Frame	: 254/6JP	Cooling method	: IC01 - ODP	
Insulation class	: F	Mounting	: W-6	
Duty cycle	: Cont.(S1)	Rotation ¹	: Both (CW and CCW)	
Ambient temperature	: -20°C to +40°C	Starting method	: Direct On Line	
Altitude	: 1000 m.a.s.l.	Approx. weight ²	: 228 lb	
Design	: B	Moment of inertia (J)	: 2.50 sq.ft.lb	
Output [HP]	10	10	10	
Poles	6	6	6	
Frequency [Hz]	60	50	50	
Rated voltage [V]	230/460	190/380	220/415	
Rated current [A]	27.8/13.9	33.2/16.6	29.8/15.8	
L. R. Amperes [A]	147/73.7	139/69.7	137/72.7	
LRC [A]	5.3x(Code G)	4.2x(Code E)	4.6x(Code F)	
No load current [A]	14.7/7.33	14.4/7.22	14.9/7.90	
Rated speed [RPM]	1180	970	970	
Slip [%]	1.67	3.00	3.00	
Rated torque [ft.lb]	44.5	54.1	54.1	
Locked rotor torque [%]	210	150	170	
Breakdown torque [%]	229	180	200	
Service factor	1.15	1.15	1.15	
Temperature rise	80 K	80 K	80 K	
Locked rotor time	61s (cold) 34s (hot)	0s (cold) 0s (hot)	0s (cold) 0s (hot)	
Noise level ²	59.0 dB(A)	57.0 dB(A)	57.0 dB(A)	
Efficiency (%)	25%	90.8	91.5	90.5
	50%	91.0	90.1	89.7
	75%	91.7	89.7	89.9
	100%	91.7	88.0	88.7
Power Factor	25%	0.32	0.38	0.35
	50%	0.56	0.63	0.59
	75%	0.68	0.74	0.71
	100%	0.74	0.78	0.77
Bearing type	: <u>Drive end</u> 6309 Z C3 <u>Non drive end</u> 6208 Z C3	Foundation loads		
Sealing	: Without Without Bearing Seal Bearing Seal	Max. traction	: 405 lb	
Lubrication interval	: 20000 h 20000 h	Max. compression	: 633 lb	
Lubricant amount	: 13 g 8 g			
Lubricant type	: Mobil Polyrex EM			
Notes USABLE @208V 30.7A SF 1.00 SFA 30.7A				
This revision replaces and cancel the previous one, which must be eliminated. (1) Looking the motor from the shaft end. (2) Measured at 1m and with tolerance of +3dB(A). (3) Approximate weight subject to changes after manufacturing process. (4) At 100% of full load.		These are average values based on tests with sinusoidal power supply, subject to the tolerances stipulated in NEMA MG-1.		
Rev.	Changes Summary	Performed	Checked	Date
Performed by				
Checked by			Page	Revision
Date	12/04/2022		1 / 16	

TORQUE AND CURRENT VS SPEED CURVE

Three Phase Induction Motor - Squirrel Cage



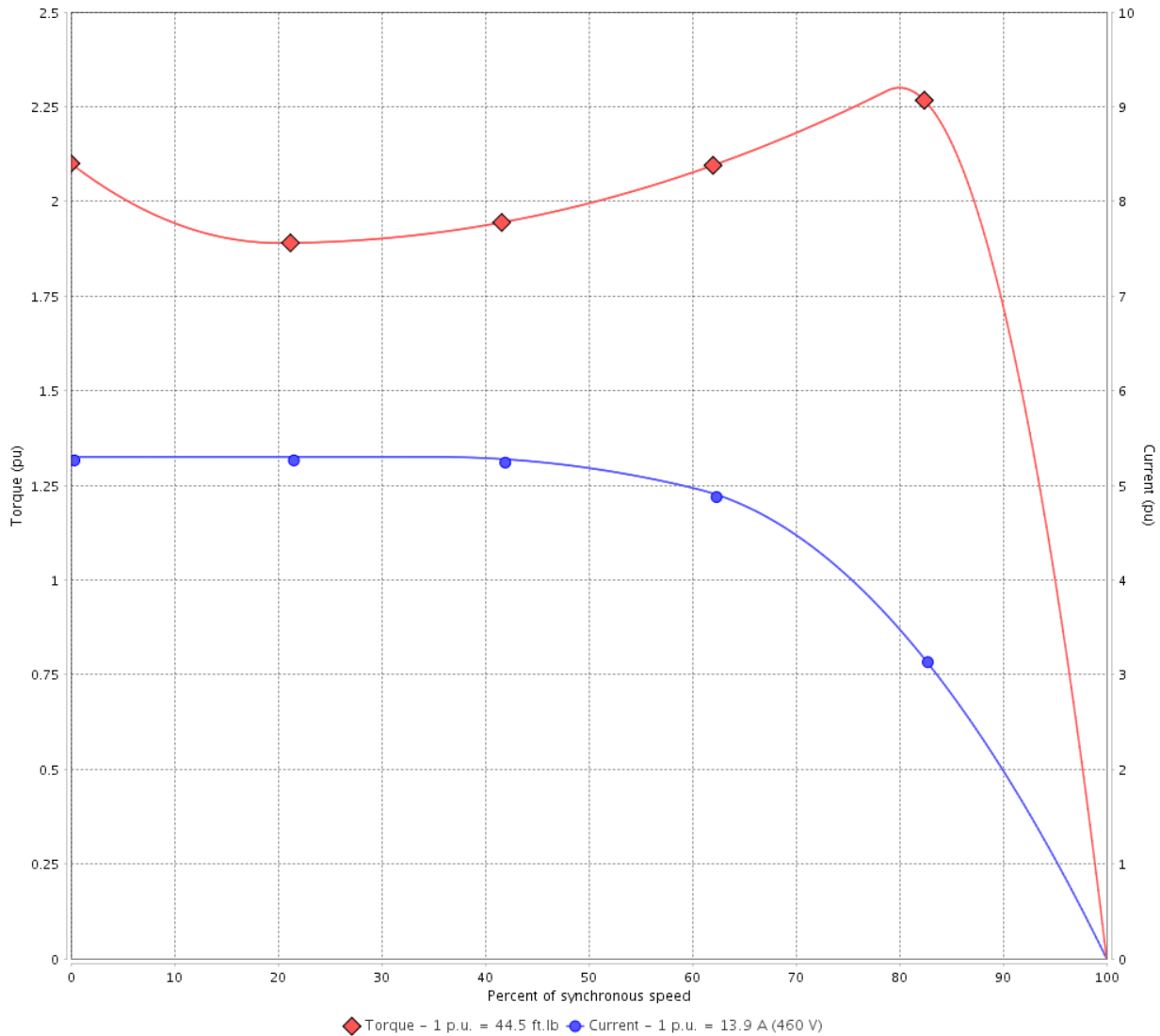
Customer :

Product line : JP Pump NEMA Premium
Efficiency Three-Phase

Product code : 13500936

Catalog # : 010120T3E256JPV-S

TORQUE AND CURRENT VS SPEED CURVE



Performance : 230/460 V 60 Hz 6P

Rated current	: 27.8/13.9 A	Moment of inertia (J)	: 2.50 sq.ft.lb
LRC	: 5.3	Duty cycle	: Cont.(S1)
Rated torque	: 44.5 ft.lb	Insulation class	: F
Locked rotor torque	: 210 %	Service factor	: 1.15
Breakdown torque	: 229 %	Temperature rise	: 80 K
Rated speed	: 1180 rpm	Design	: B

Locked rotor time : 61s (cold) 34s (hot)

Rev.	Changes Summary	Performed	Checked	Date
Performed by			Page 2 / 16	Revision
Checked by				
Date	12/04/2022			

TORQUE AND CURRENT VS SPEED CURVE



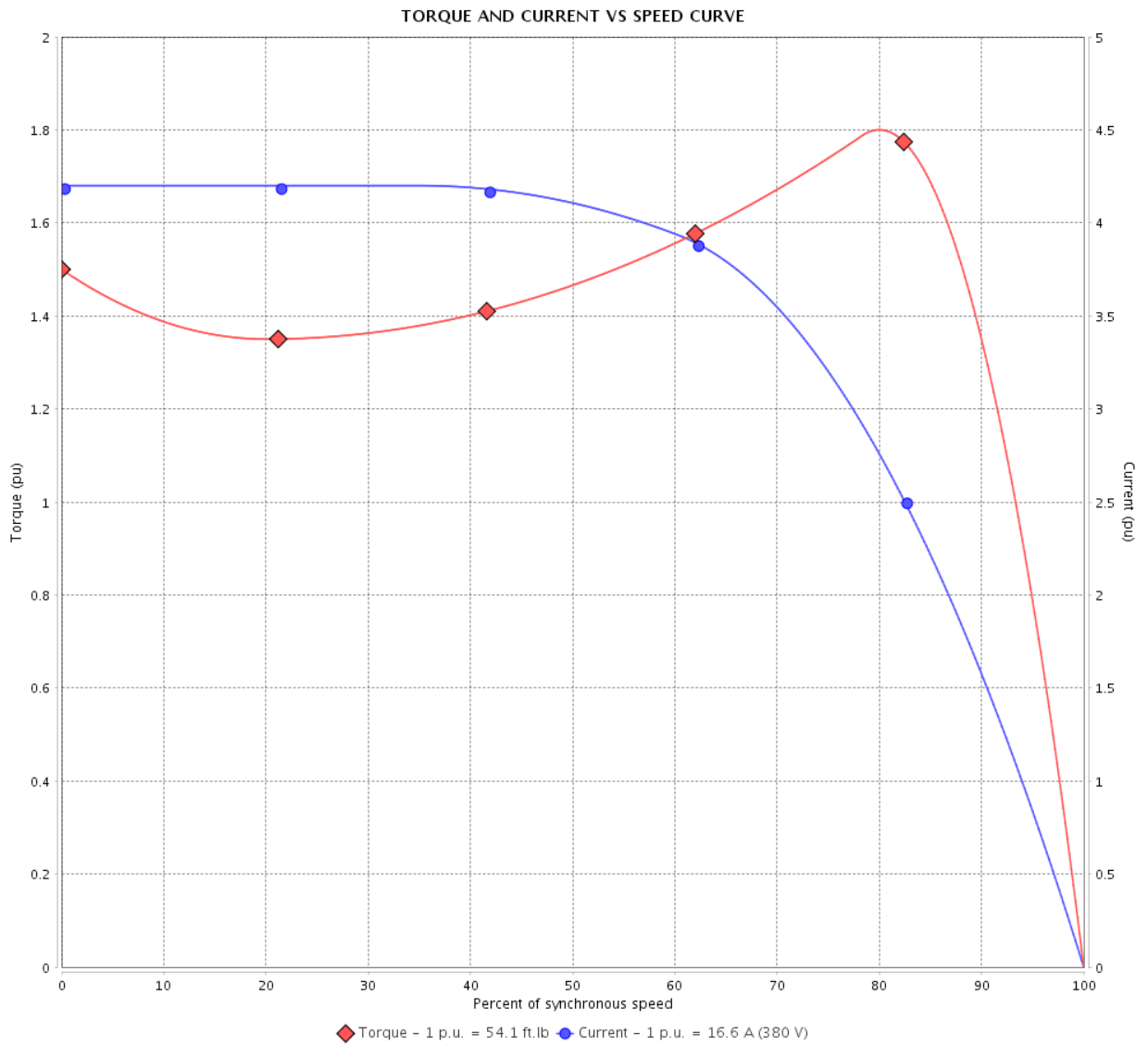
Three Phase Induction Motor - Squirrel Cage

Customer :

Product line : JP Pump NEMA Premium Efficiency Three-Phase

Product code : 13500936

Catalog # : 01012OT3E256JPV-S



Performance : 190/380 V 50 Hz 6P

Rated current : 33.2/16.6 A
 LRC : 4.2
 Rated torque : 54.1 ft.lb
 Locked rotor torque : 150 %
 Breakdown torque : 180 %
 Rated speed : 970 rpm

Moment of inertia (J) : 2.50 sq.ft.lb
 Duty cycle : Cont.(S1)
 Insulation class : F
 Service factor : 1.15
 Temperature rise : 80 K
 Design : B

Locked rotor time : 0s (cold) 0s (hot)

Rev.	Changes Summary	Performed	Checked	Date
Performed by			Page 3 / 16	Revision
Checked by				
Date	12/04/2022			

TORQUE AND CURRENT VS SPEED CURVE

Three Phase Induction Motor - Squirrel Cage



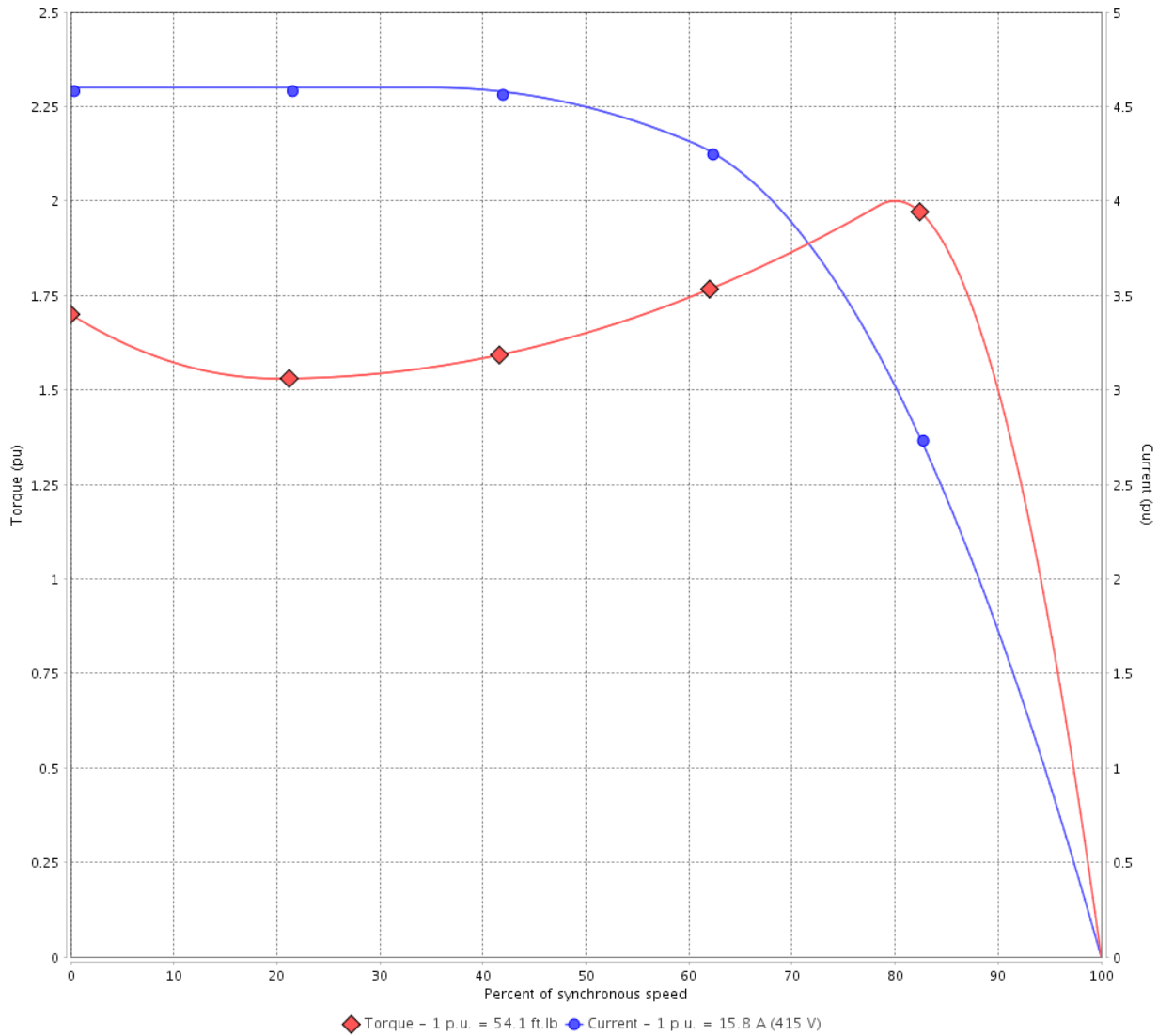
Customer :

Product line : JP Pump NEMA Premium Efficiency Three-Phase

Product code : 13500936

Catalog # : 010120T3E256JPV-S

TORQUE AND CURRENT VS SPEED CURVE



Performance : 220/415 V 50 Hz 6P

Rated current	: 29.8/15.8 A	Moment of inertia (J)	: 2.50 sq.ft.lb
LRC	: 4.6	Duty cycle	: Cont.(S1)
Rated torque	: 54.1 ft.lb	Insulation class	: F
Locked rotor torque	: 170 %	Service factor	: 1.15
Breakdown torque	: 200 %	Temperature rise	: 80 K
Rated speed	: 970 rpm	Design	: B

Locked rotor time : 0s (cold) 0s (hot)

Rev.	Changes Summary	Performed	Checked	Date
Performed by			Page 4 / 16	Revision
Checked by				
Date	12/04/2022			

LOAD PERFORMANCE CURVE

Three Phase Induction Motor - Squirrel Cage

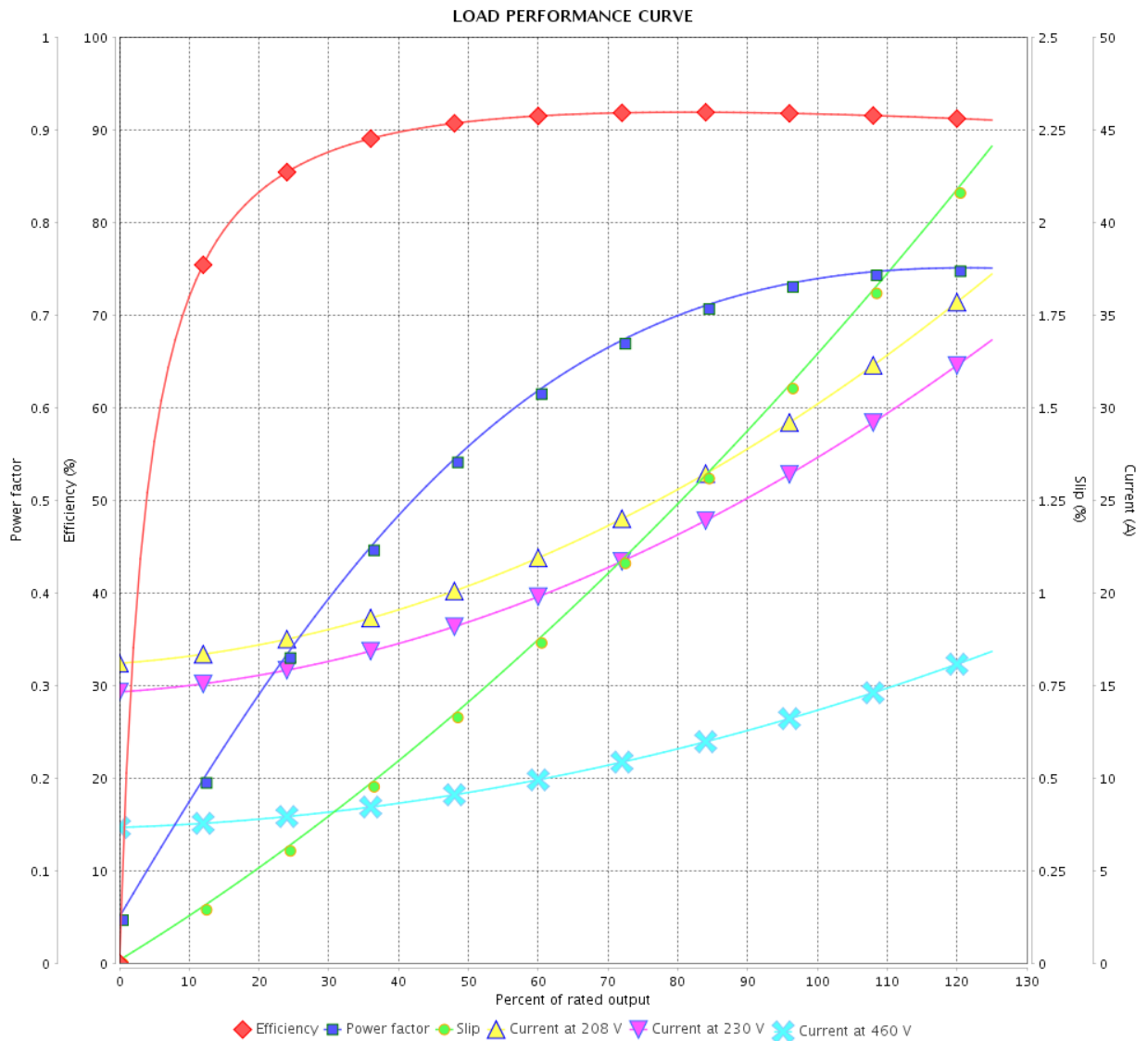


Customer :

Product line : JP Pump NEMA Premium
Efficiency Three-Phase

Product code : 13500936

Catalog # : 01012OT3E256JPV-S



Performance : 230/460 V 60 Hz 6P

Rated current : 27.8/13.9 A
 LRC : 5.3
 Rated torque : 44.5 ft.lb
 Locked rotor torque : 210 %
 Breakdown torque : 229 %
 Rated speed : 1180 rpm

Moment of inertia (J) : 2.50 sq.ft.lb
 Duty cycle : Cont.(S1)
 Insulation class : F
 Service factor : 1.15
 Temperature rise : 80 K
 Design : B

Rev.	Changes Summary	Performed	Checked	Date
Performed by				
Checked by			Page	Revision
Date	12/04/2022		5 / 16	

LOAD PERFORMANCE CURVE

Three Phase Induction Motor - Squirrel Cage



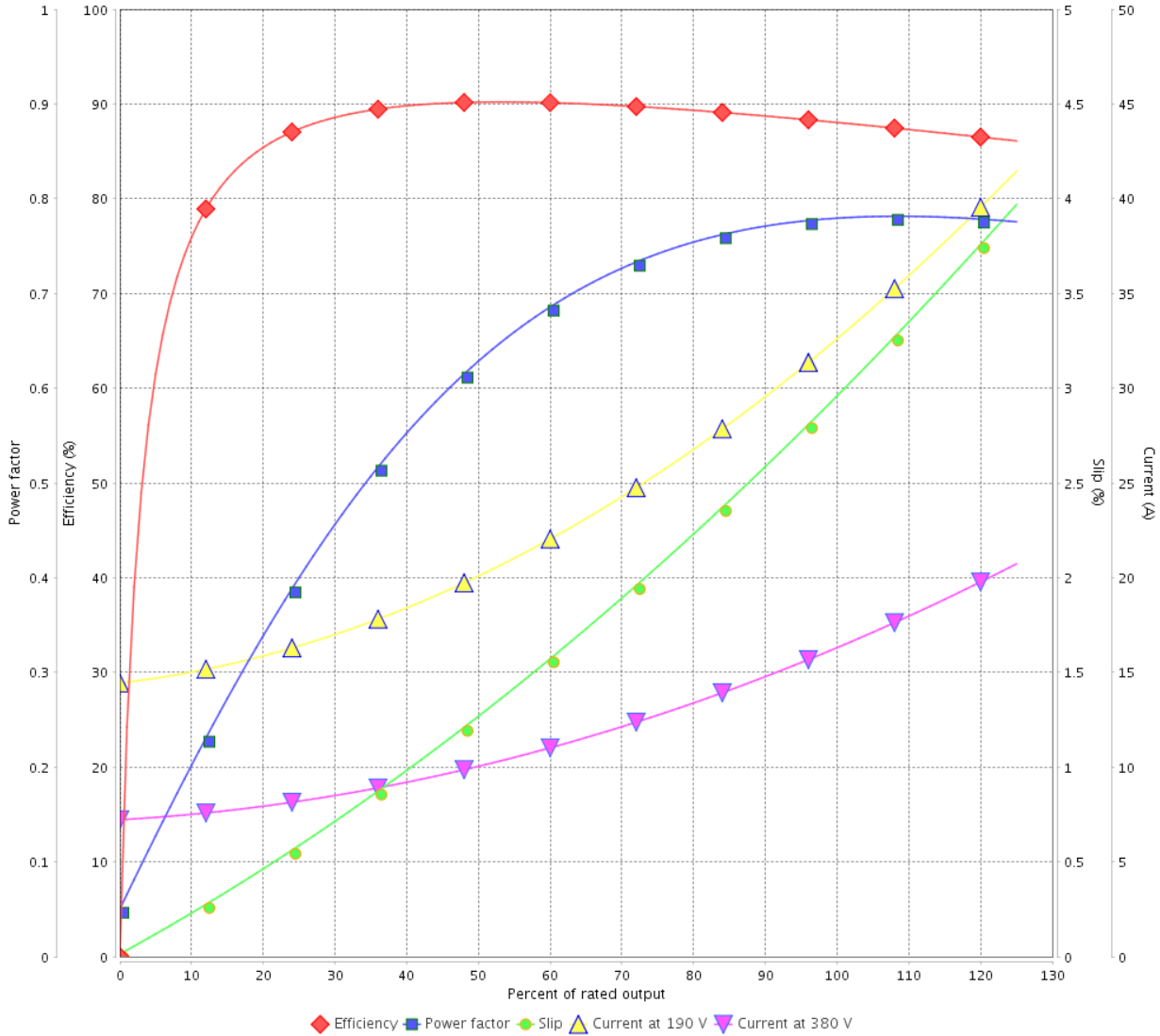
Customer :

Product line : JP Pump NEMA Premium
Efficiency Three-Phase

Product code : 13500936

Catalog # : 010120T3E256JPV-S

LOAD PERFORMANCE CURVE



Performance : 190/380 V 50 Hz 6P

Rated current : 33.2/16.6 A
LRC : 4.2
Rated torque : 54.1 ft.lb
Locked rotor torque : 150 %
Breakdown torque : 180 %
Rated speed : 970 rpm

Moment of inertia (J) : 2.50 sq.ft.lb
Duty cycle : Cont.(S1)
Insulation class : F
Service factor : 1.15
Temperature rise : 80 K
Design : B

Rev.	Changes Summary	Performed	Checked	Date
Performed by			Page	Revision
Checked by			6 / 16	
Date	12/04/2022			

LOAD PERFORMANCE CURVE

Three Phase Induction Motor - Squirrel Cage

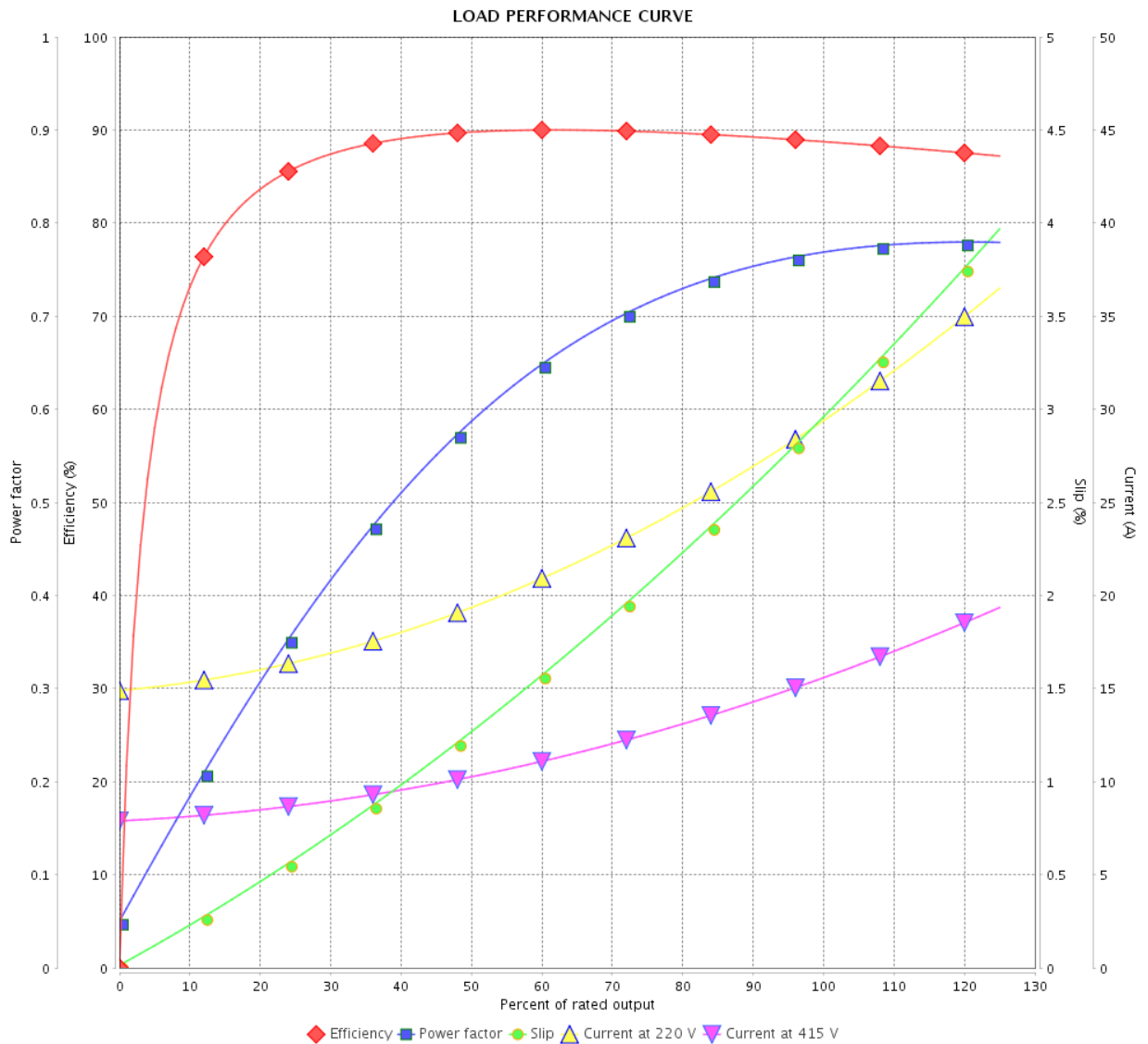


Customer :

Product line : JP Pump NEMA Premium
Efficiency Three-Phase

Product code : 13500936

Catalog # : 01012OT3E256JPV-S



Performance : 220/415 V 50 Hz 6P

Rated current : 29.8/15.8 A
LRC : 4.6
Rated torque : 54.1 ft.lb
Locked rotor torque : 170 %
Breakdown torque : 200 %
Rated speed : 970 rpm

Moment of inertia (J) : 2.50 sq.ft.lb
Duty cycle : Cont.(S1)
Insulation class : F
Service factor : 1.15
Temperature rise : 80 K
Design : B

Rev.	Changes Summary	Performed	Checked	Date
Performed by		Page		Revision
Checked by		7 / 16		
Date		12/04/2022		

THERMAL LIMIT CURVE



Three Phase Induction Motor - Squirrel Cage

Customer :

Product line : JP Pump NEMA Premium
Efficiency Three-Phase

Product code : 13500936

Catalog # : 01012OT3E256JPV-S

Performance : 230/460 V 60 Hz 6P

Rated current : 27.8/13.9 A
LRC : 5.3
Rated torque : 44.5 ft.lb
Locked rotor torque : 210 %
Breakdown torque : 229 %
Rated speed : 1180 rpm

Moment of inertia (J) : 2.50 sq.ft.lb
Duty cycle : Cont.(S1)
Insulation class : F
Service factor : 1.15
Temperature rise : 80 K
Design : B

Heating constant

Cooling constant

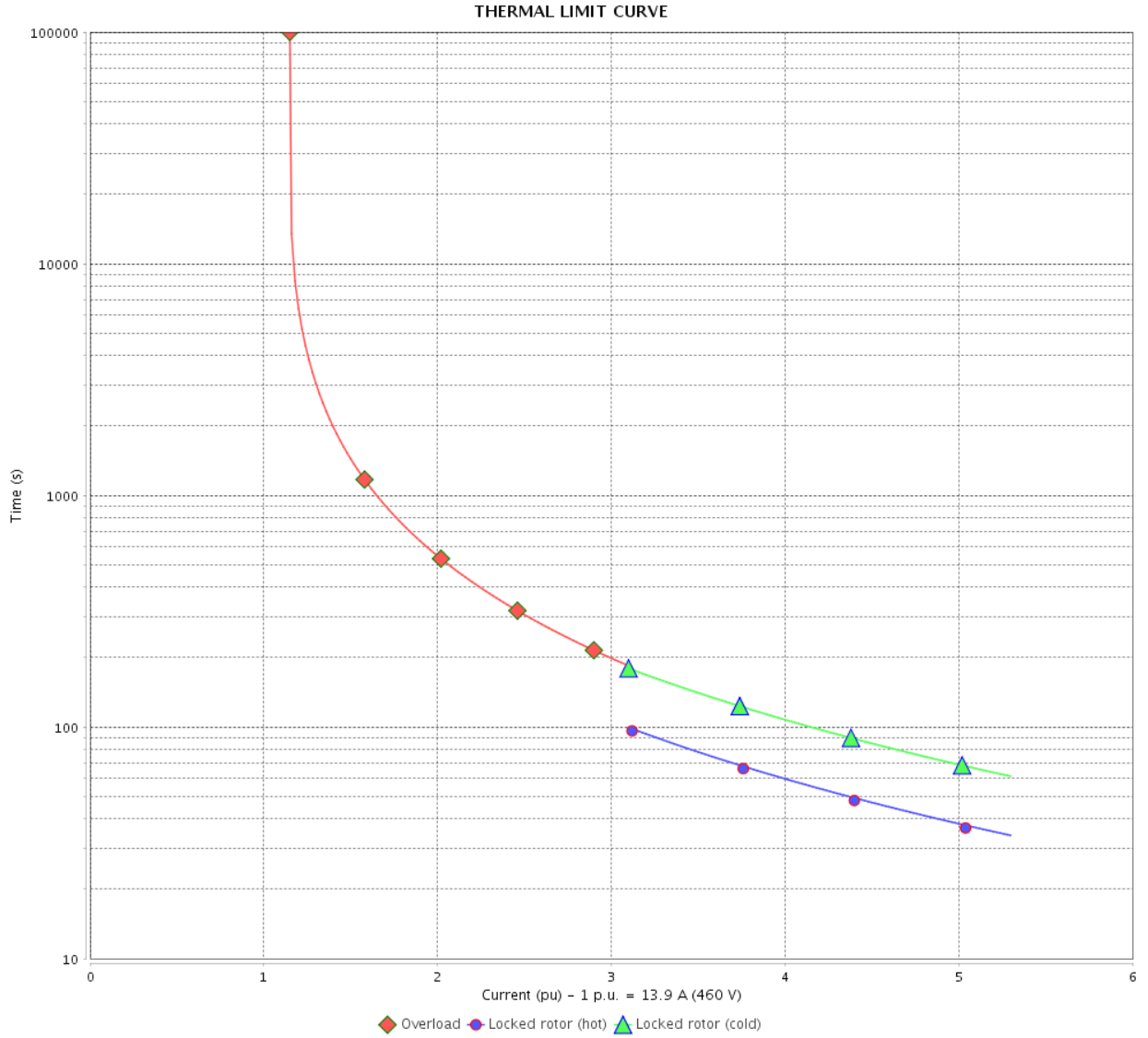
Rev.	Changes Summary	Performed	Checked	Date
Performed by				
Checked by			Page	Revision
Date	12/04/2022		8 / 16	

THERMAL LIMIT CURVE

Three Phase Induction Motor - Squirrel Cage



Customer : _____



Rev.	Changes Summary	Performed	Checked	Date
Performed by		Page		Revision
Checked by		9 / 16		
Date		12/04/2022		

THERMAL LIMIT CURVE



Three Phase Induction Motor - Squirrel Cage

Customer :

Product line : JP Pump NEMA Premium
Efficiency Three-Phase

Product code : 13500936

Catalog # : 01012OT3E256JPV-S

Performance : 190/380 V 50 Hz 6P

Rated current : 33.2/16.6 A
LRC : 4.2
Rated torque : 54.1 ft.lb
Locked rotor torque : 150 %
Breakdown torque : 180 %
Rated speed : 970 rpm

Moment of inertia (J) : 2.50 sq.ft.lb
Duty cycle : Cont.(S1)
Insulation class : F
Service factor : 1.15
Temperature rise : 80 K
Design : B

Heating constant

Cooling constant

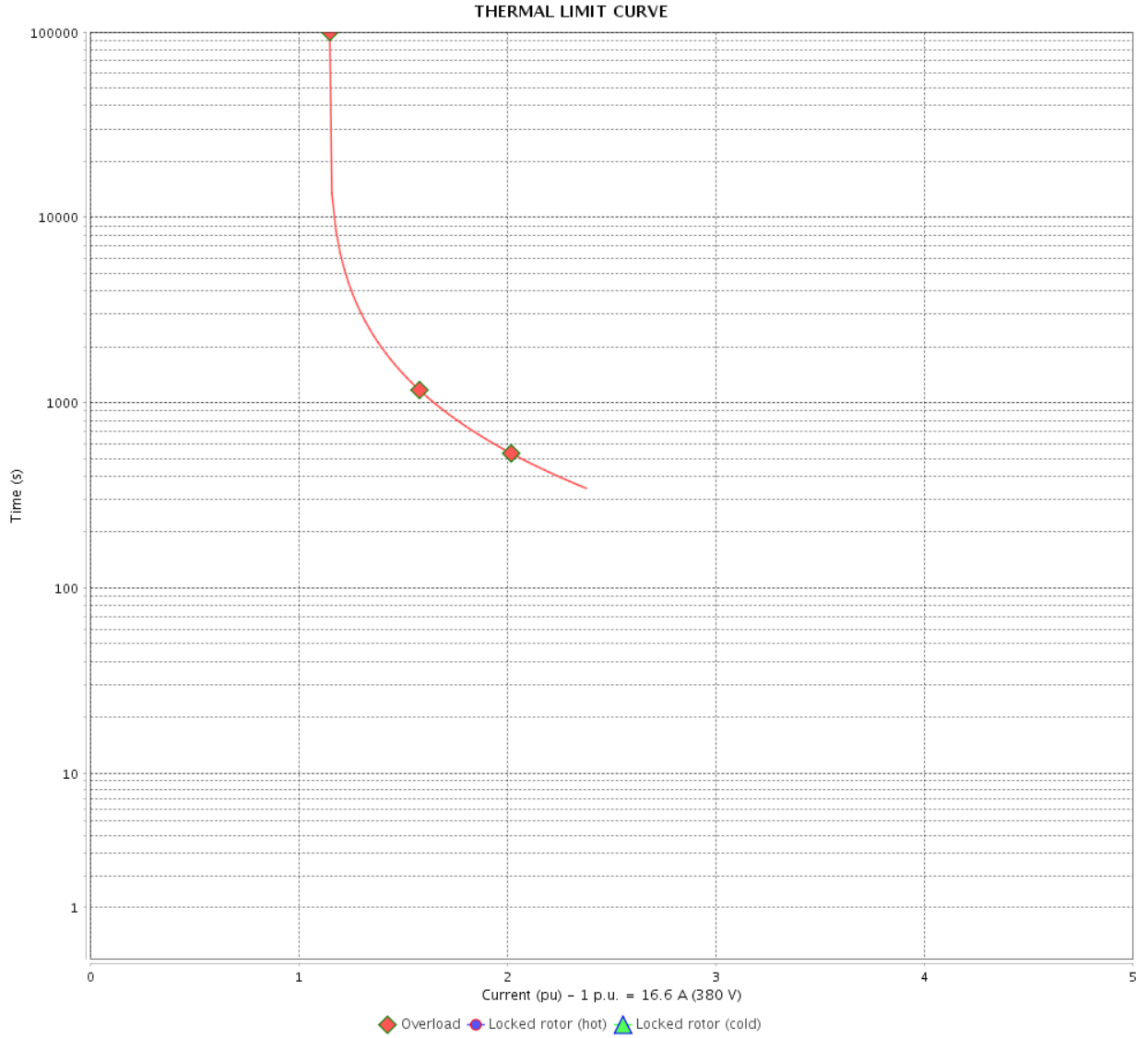
Rev.	Changes Summary	Performed	Checked	Date
Performed by				
Checked by			Page	Revision
Date	12/04/2022		10 / 16	

THERMAL LIMIT CURVE

Three Phase Induction Motor - Squirrel Cage



Customer : _____



Rev.	Changes Summary	Performed	Checked	Date
Performed by		Page		Revision
Checked by		11 / 16		
Date		12/04/2022		

THERMAL LIMIT CURVE



Three Phase Induction Motor - Squirrel Cage

Customer :

Product line : JP Pump NEMA Premium
Efficiency Three-Phase

Product code : 13500936

Catalog # : 01012OT3E256JPV-S

Performance : 220/415 V 50 Hz 6P

Rated current : 29.8/15.8 A
LRC : 4.6
Rated torque : 54.1 ft.lb
Locked rotor torque : 170 %
Breakdown torque : 200 %
Rated speed : 970 rpm

Moment of inertia (J) : 2.50 sq.ft.lb
Duty cycle : Cont.(S1)
Insulation class : F
Service factor : 1.15
Temperature rise : 80 K
Design : B

Heating constant

Cooling constant

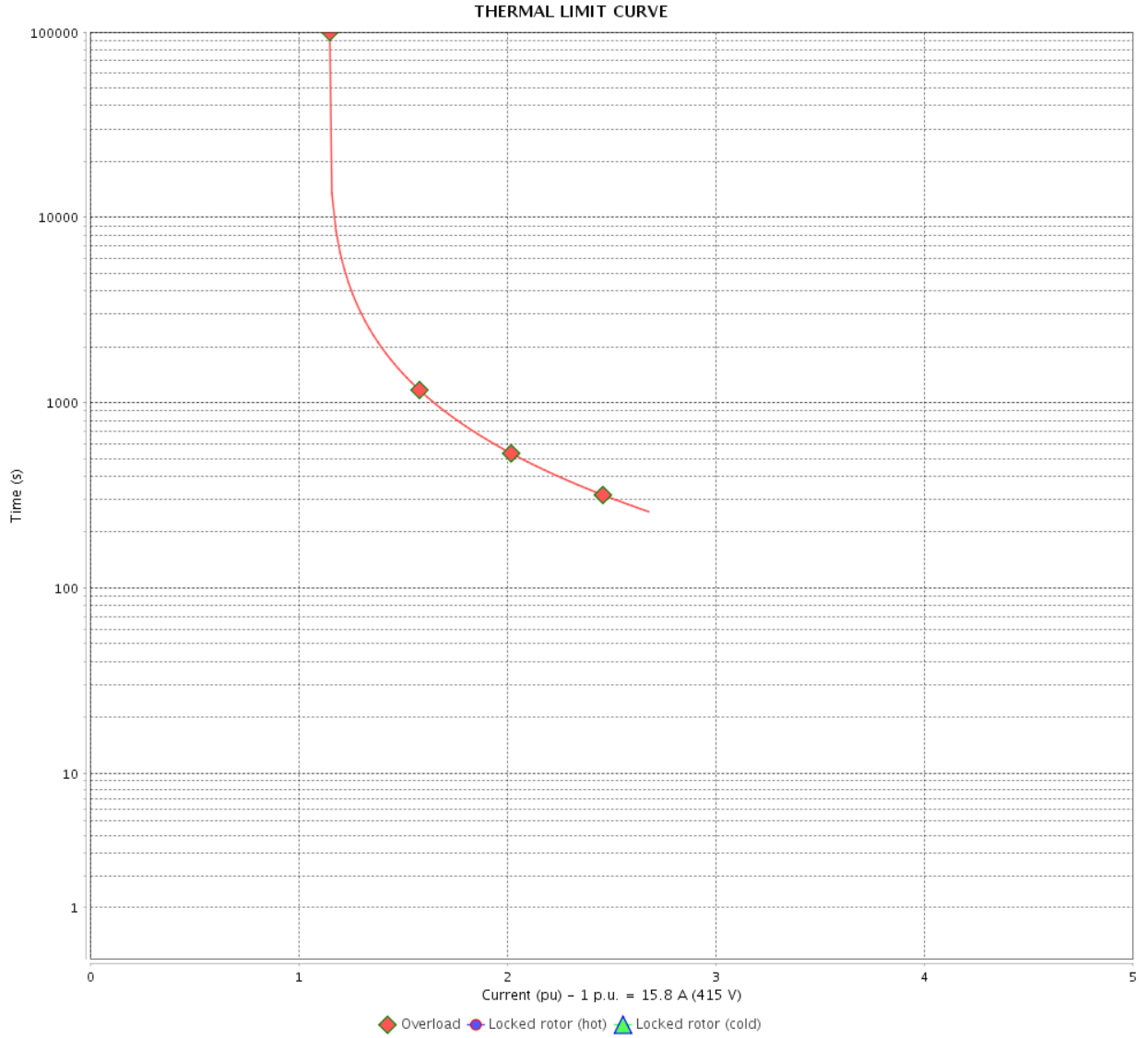
Rev.	Changes Summary	Performed	Checked	Date
Performed by			Page 12 / 16	Revision
Checked by				
Date	12/04/2022			

THERMAL LIMIT CURVE

Three Phase Induction Motor - Squirrel Cage



Customer : _____



Rev.	Changes Summary	Performed	Checked	Date
Performed by		Page		Revision
Checked by		13 / 16		
Date		12/04/2022		

VFD OPERATION CURVE

Three Phase Induction Motor - Squirrel Cage

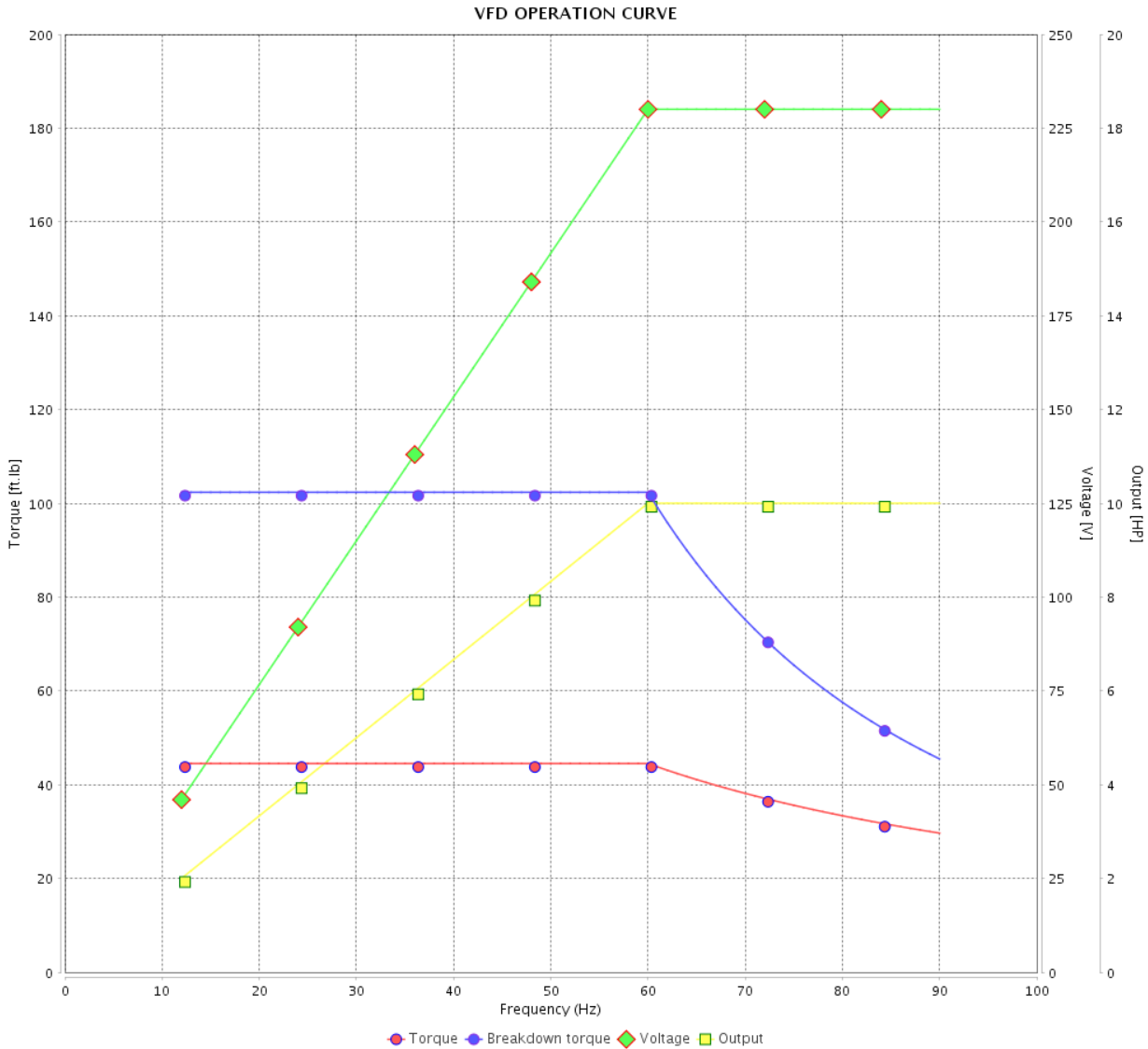


Customer :

Product line : JP Pump NEMA Premium Efficiency Three-Phase

Product code : 13500936

Catalog # : 01012OT3E256JPV-S



Performance : 230/460 V 60 Hz 6P

Rated current : 27.8/13.9 A
 LRC : 5.3
 Rated torque : 44.5 ft.lb
 Locked rotor torque : 210 %
 Breakdown torque : 229 %
 Rated speed : 1180 rpm

Moment of inertia (J) : 2.50 sq.ft.lb
 Duty cycle : Cont.(S1)
 Insulation class : F
 Service factor : 1.15
 Temperature rise : 80 K
 Design : B

Rev.	Changes Summary	Performed	Checked	Date
Performed by			Page 14 / 16	Revision
Checked by				
Date	12/04/2022			

VFD OPERATION CURVE

Three Phase Induction Motor - Squirrel Cage

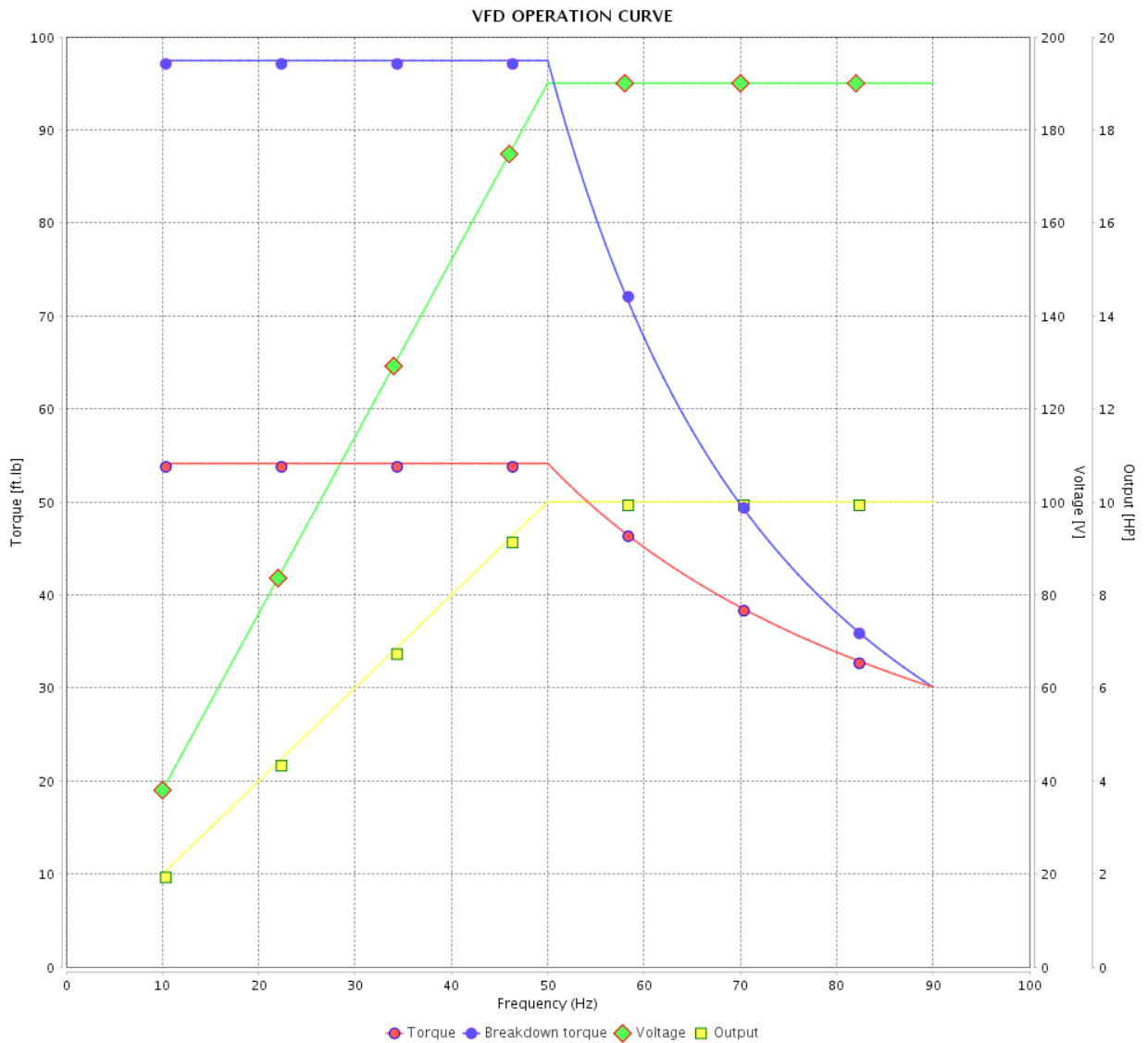


Customer :

Product line : JP Pump NEMA Premium
Efficiency Three-Phase

Product code : 13500936

Catalog # : 01012OT3E256JPV-S



Performance : 190/380 V 50 Hz 6P

Rated current : 33.2/16.6 A
LRC : 4.2
Rated torque : 54.1 ft.lb
Locked rotor torque : 150 %
Breakdown torque : 180 %
Rated speed : 970 rpm

Moment of inertia (J) : 2.50 sq.ft.lb
Duty cycle : Cont.(S1)
Insulation class : F
Service factor : 1.15
Temperature rise : 80 K
Design : B

Rev.	Changes Summary	Performed	Checked	Date
Performed by				Page 15 / 16
Checked by				
Date	12/04/2022			
				Revision

VFD OPERATION CURVE

Three Phase Induction Motor - Squirrel Cage



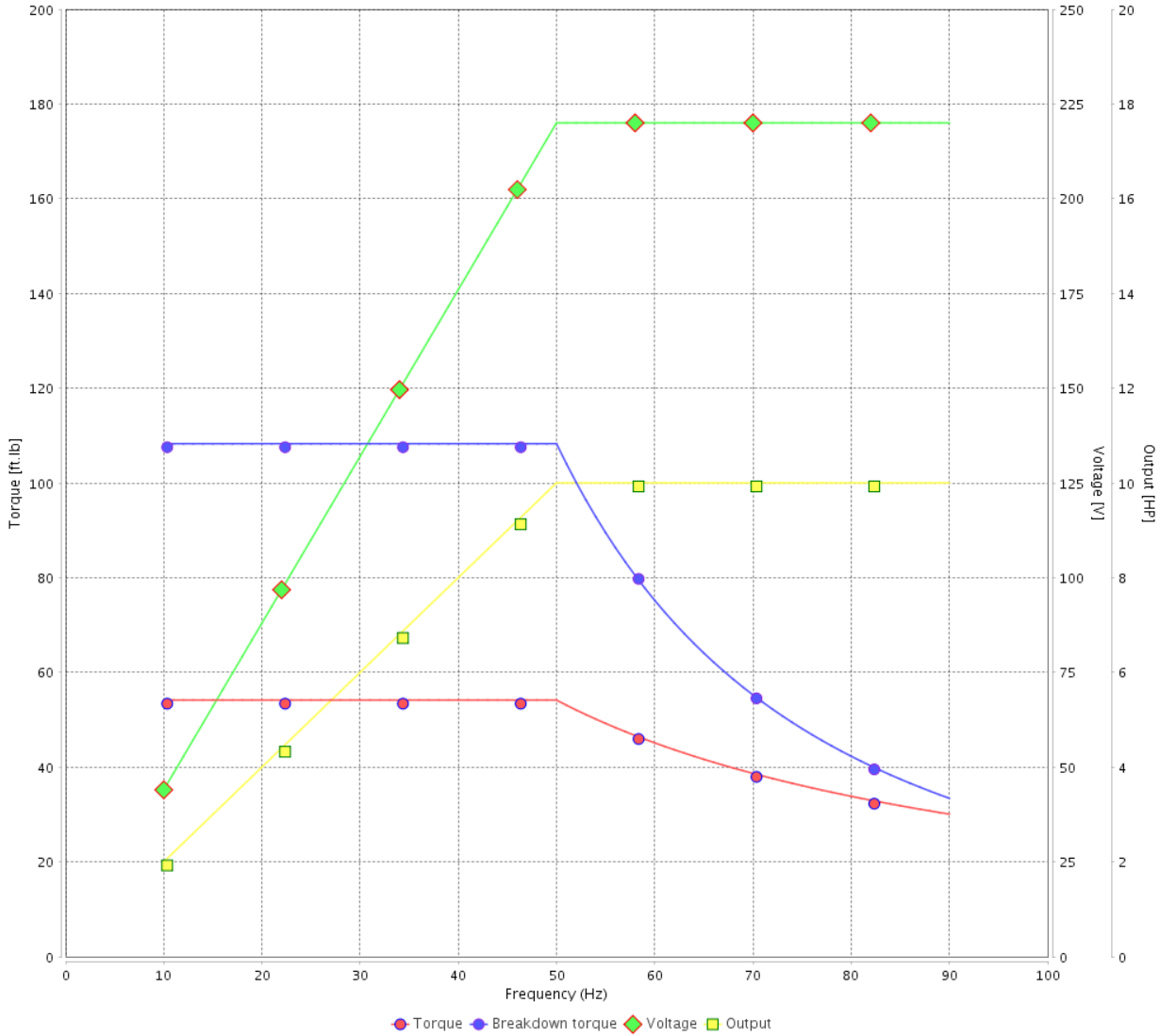
Customer :

Product line : JP Pump NEMA Premium Efficiency Three-Phase

Product code : 13500936

Catalog # : 01012OT3E256JPV-S

VFD OPERATION CURVE



Performance : 220/415 V 50 Hz 6P

Rated current : 29.8/15.8 A
 LRC : 4.6
 Rated torque : 54.1 ft.lb
 Locked rotor torque : 170 %
 Breakdown torque : 200 %
 Rated speed : 970 rpm

Moment of inertia (J) : 2.50 sq.ft.lb
 Duty cycle : Cont.(S1)
 Insulation class : F
 Service factor : 1.15
 Temperature rise : 80 K
 Design : B

Rev.	Changes Summary	Performed	Checked	Date
Performed by			Page 16 / 16	Revision
Checked by				
Date	12/04/2022			

1 2 3 4 5 6

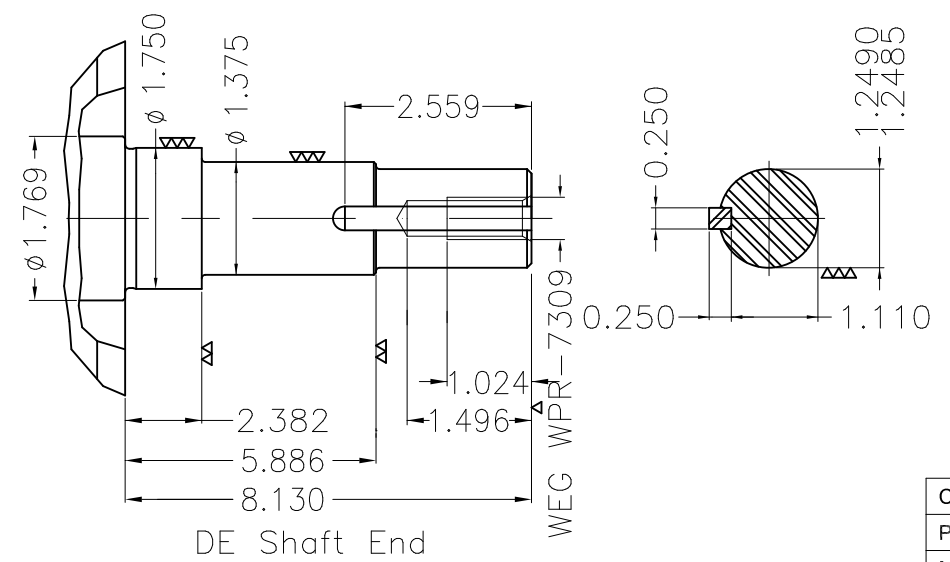
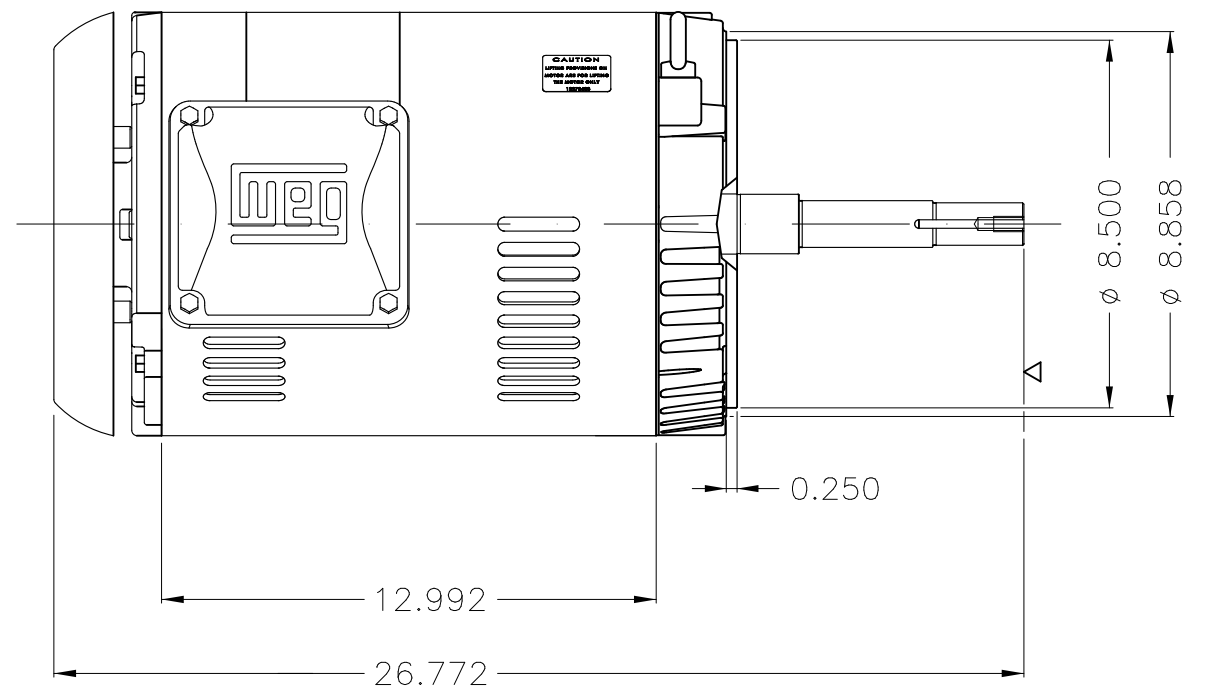
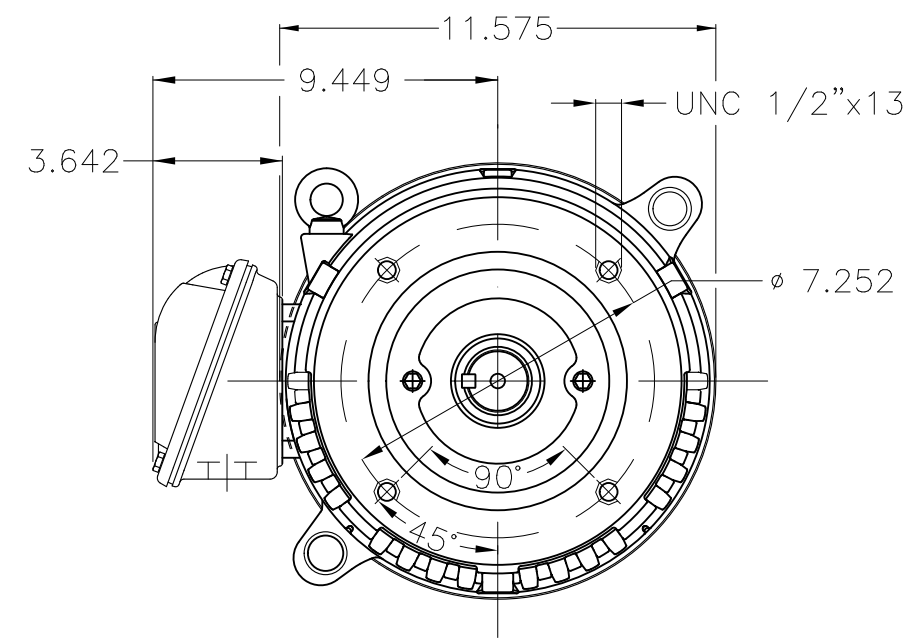
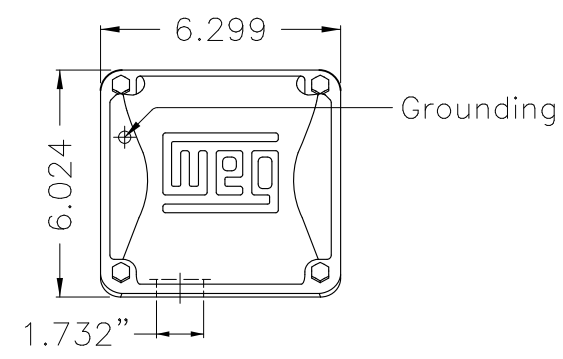
A

B

C

D

E



EUNC 1/2"-13 WEG WPR-7309

Color Munsell N 1 matte black									
Painting plan 207N									
Mounting W-6/V18R(D)									
ECM	LOC	SUMMARY OF MODIFICATIONS			EXECUTED	CHECKED	RELEASED	DATE	VER
EXECUTED	PIRBUSER	THREE PH. MOTOR ROLLED STEEL CLOSE COUPLED PUMP JP 3/4 DE PREMETS							
CHECKED		FRAME 254/6JP IP21 ODP							
RELEASED									
REL DT.		WMO	Jaragua do Sul	Product Engineering					

PREVIEW
WDD



10 HP 06 Poles 60 Hz

Dimensions in inches XME A3



NEMA
Premium



3PT9



Energy Verified

MADE IN MEXICO

MAT: 13500936 CC029A

W01.T00IC0X0N

MODEL 010120T3E256JPV-S

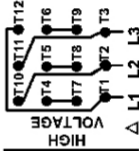
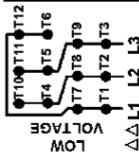
20OCT2021 S/N:

PH 3	Hz 60	HP 10
FR 254/6.JP		KW 7.5
DUTY CONT.		V 230/460
ALT 1000 m.a.s.l.		A 27.8/13.9
INS CL F AT 80K		SFA 32.0/16.0
AMB 40°C	DES B	SF 1.15
ENCL ODP	CODE G	PF 0.74
USABLE @ 208V 30.7A		RPM 1180
SF1.00		NEMA NOM. EFF 91.7%

ALTERNATE RATING: 10HP 50Hz 190-220/380-415V SF1.15
33.2-29.4/16.8-15.6A 970RPM EFF 88.0% (IE2) IEC 60034-1

Inverter duty motor For 80Hz use on VPWM 1000:1 VT, 5:1 CT

DE 6309-Z-C3	ODE 6208-Z-C3	MOBIL POLYREX EM	20000h
---------------------	----------------------	-------------------------	---------------



T1-BLU T2-WHT
 T3-ORG T4-YEL
 T5-BLK T6-GRY
 T7-PNK T8-RED
 T9-BRK RED
 T10-CURRY
 T11-GRN T12-VLT

INTERCHANGE ANY TWO LINE WIRES TO REVERSE THE ROTATION

WARNING: Motor must be grounded in accordance with local and national electrical codes to prevent serious electrical shocks. Disconnect power source before servicing unit.



AVERTISSEMENT: Le moteur doit être mis à la terre

conformément aux codes électriques locaux et nationaux afin d'éviter tout choc électrique grave. Déconnectez l'alimentation avant l'entretien de la machine.

