



# TORQUE AND CURRENT VS SPEED CURVE



## Three Phase Induction Motor - Squirrel Cage

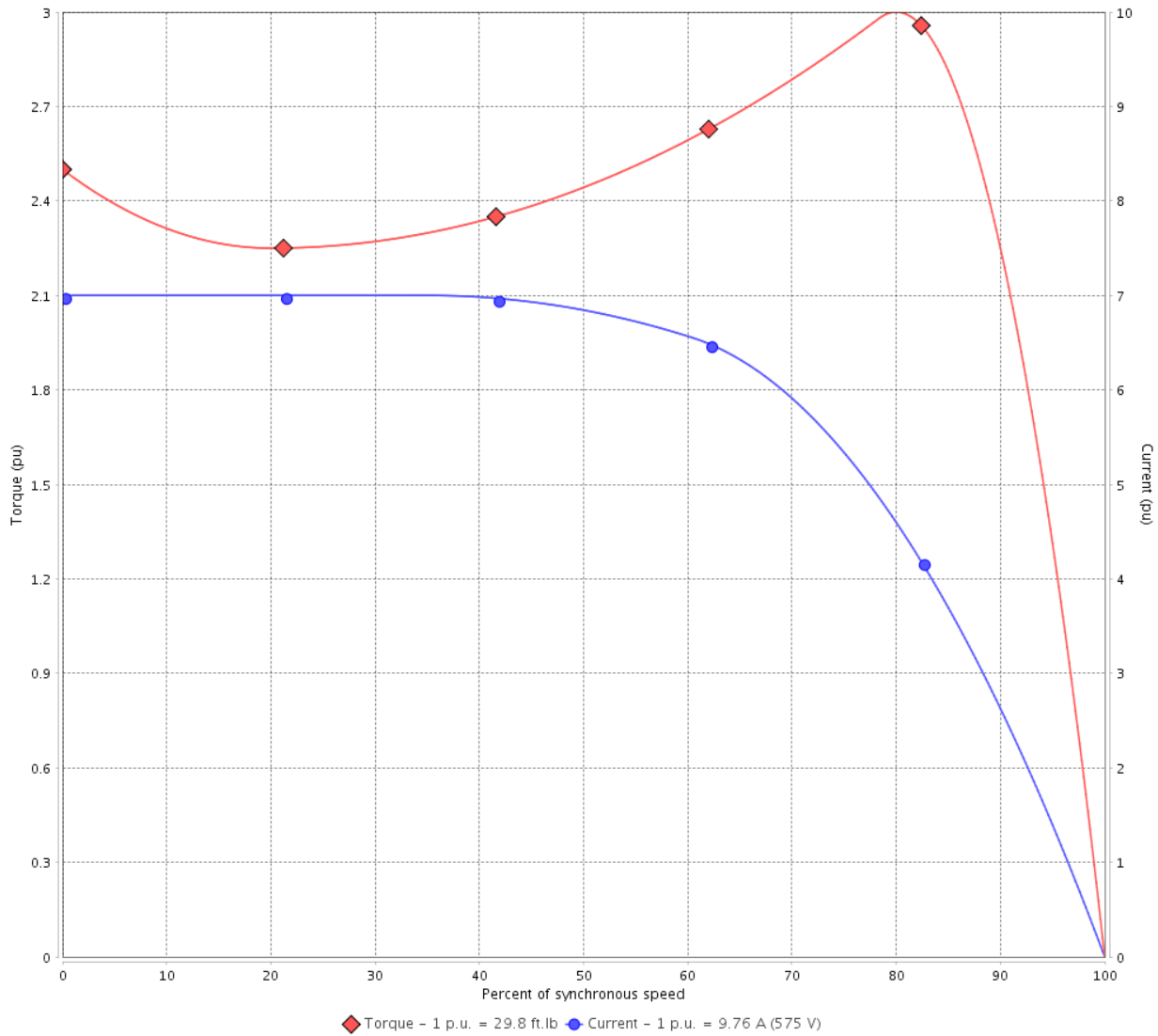
Customer :

Product line : JM Pump NEMA Premium  
Efficiency Three-Phase

Product code : 14218467

Catalog # : 01018ET3H215JM-SG

TORQUE AND CURRENT VS SPEED CURVE



Performance : 575 V 60 Hz 4P

Rated current	: 9.76 A	Moment of inertia (J)	: 1.07 sq.ft.lb
LRC	: 7.0	Duty cycle	: Cont.(S1)
Rated torque	: 29.8 ft.lb	Insulation class	: F
Locked rotor torque	: 250 %	Service factor	: 1.15
Breakdown torque	: 300 %	Temperature rise	: 80 K
Rated speed	: 1760 rpm	Design	: B

Locked rotor time : 27s (cold) 15s (hot)

Rev.	Changes Summary	Performed	Checked	Date
Performed by			Page 2 / 6	Revision
Checked by				
Date	12/04/2022			

# LOAD PERFORMANCE CURVE

## Three Phase Induction Motor - Squirrel Cage

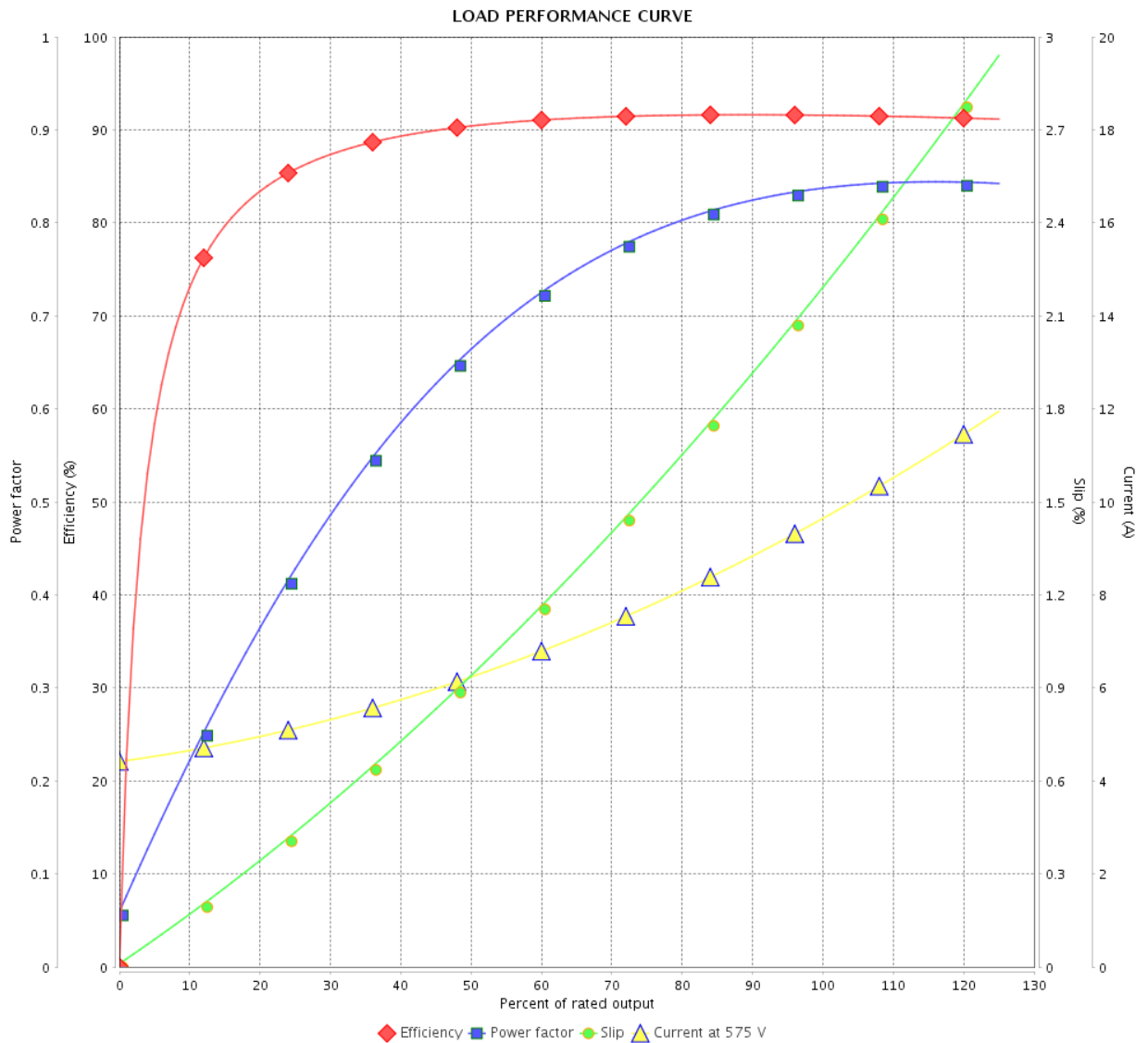


Customer : \_\_\_\_\_

Product line : JM Pump NEMA Premium  
Efficiency Three-Phase

Product code : 14218467

Catalog # : 01018ET3H215JM-SG



Performance : 575 V 60 Hz 4P

Rated current : 9.76 A  
 LRC : 7.0  
 Rated torque : 29.8 ft.lb  
 Locked rotor torque : 250 %  
 Breakdown torque : 300 %  
 Rated speed : 1760 rpm

Moment of inertia (J) : 1.07 sq.ft.lb  
 Duty cycle : Cont.(S1)  
 Insulation class : F  
 Service factor : 1.15  
 Temperature rise : 80 K  
 Design : B

Rev.	Changes Summary	Performed	Checked	Date
Performed by		Page		Revision
Checked by		3 / 6		
Date		12/04/2022		

# THERMAL LIMIT CURVE



## Three Phase Induction Motor - Squirrel Cage

Customer :

Product line : JM Pump NEMA Premium  
Efficiency Three-Phase

Product code : 14218467

Catalog # : 01018ET3H215JM-SG

Performance : 575 V 60 Hz 4P

Rated current	: 9.76 A	Moment of inertia (J)	: 1.07 sq.ft.lb
LRC	: 7.0	Duty cycle	: Cont.(S1)
Rated torque	: 29.8 ft.lb	Insulation class	: F
Locked rotor torque	: 250 %	Service factor	: 1.15
Breakdown torque	: 300 %	Temperature rise	: 80 K
Rated speed	: 1760 rpm	Design	: B

Heating constant

Cooling constant

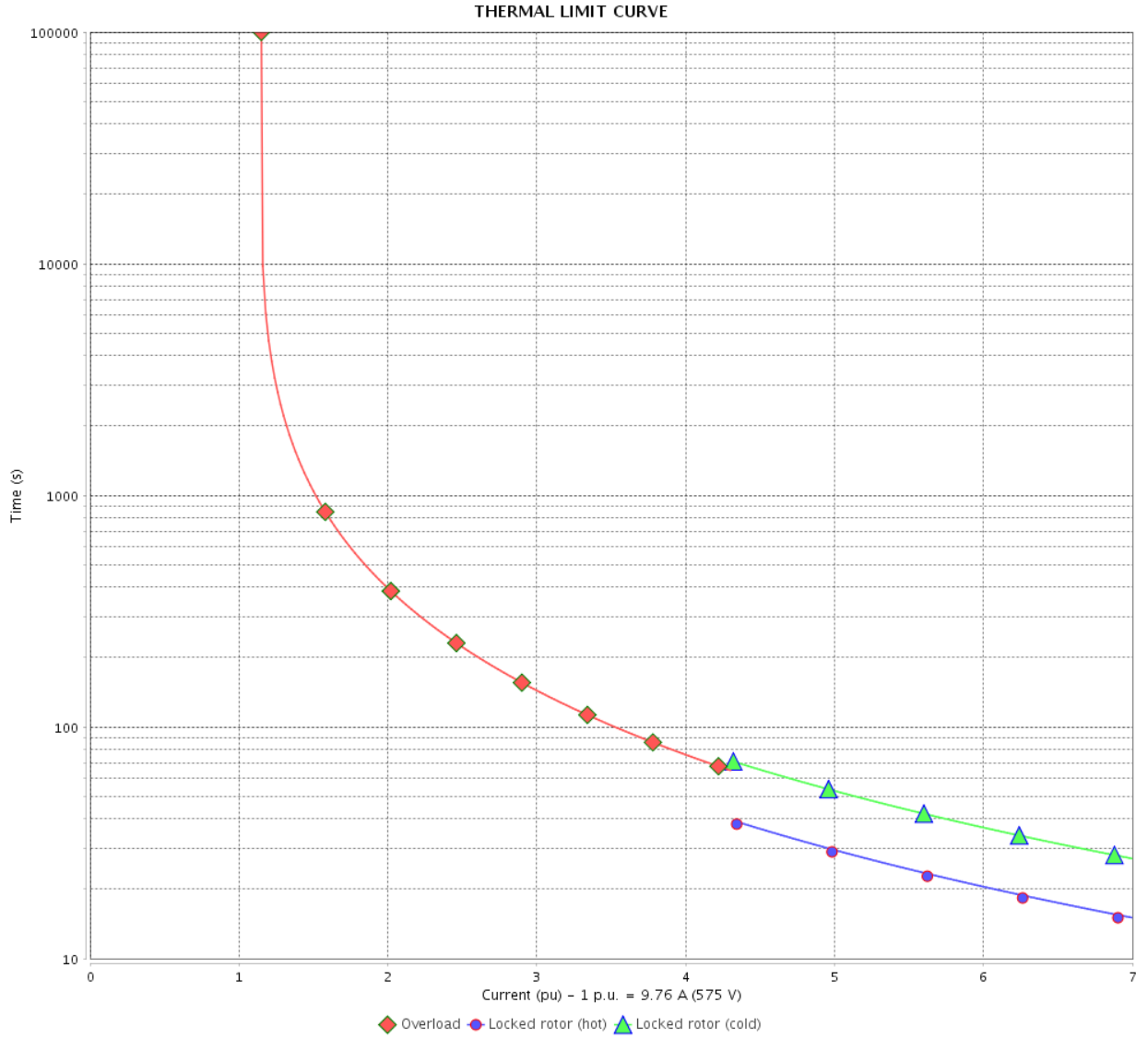
Rev.	Changes Summary	Performed	Checked	Date
Performed by				
Checked by			Page	Revision
Date	12/04/2022		4 / 6	

# THERMAL LIMIT CURVE

Three Phase Induction Motor - Squirrel Cage



Customer : \_\_\_\_\_



Rev.	Changes Summary	Performed	Checked	Date
Performed by		Page		Revision
Checked by				
Date				

# VFD OPERATION CURVE

Three Phase Induction Motor - Squirrel Cage



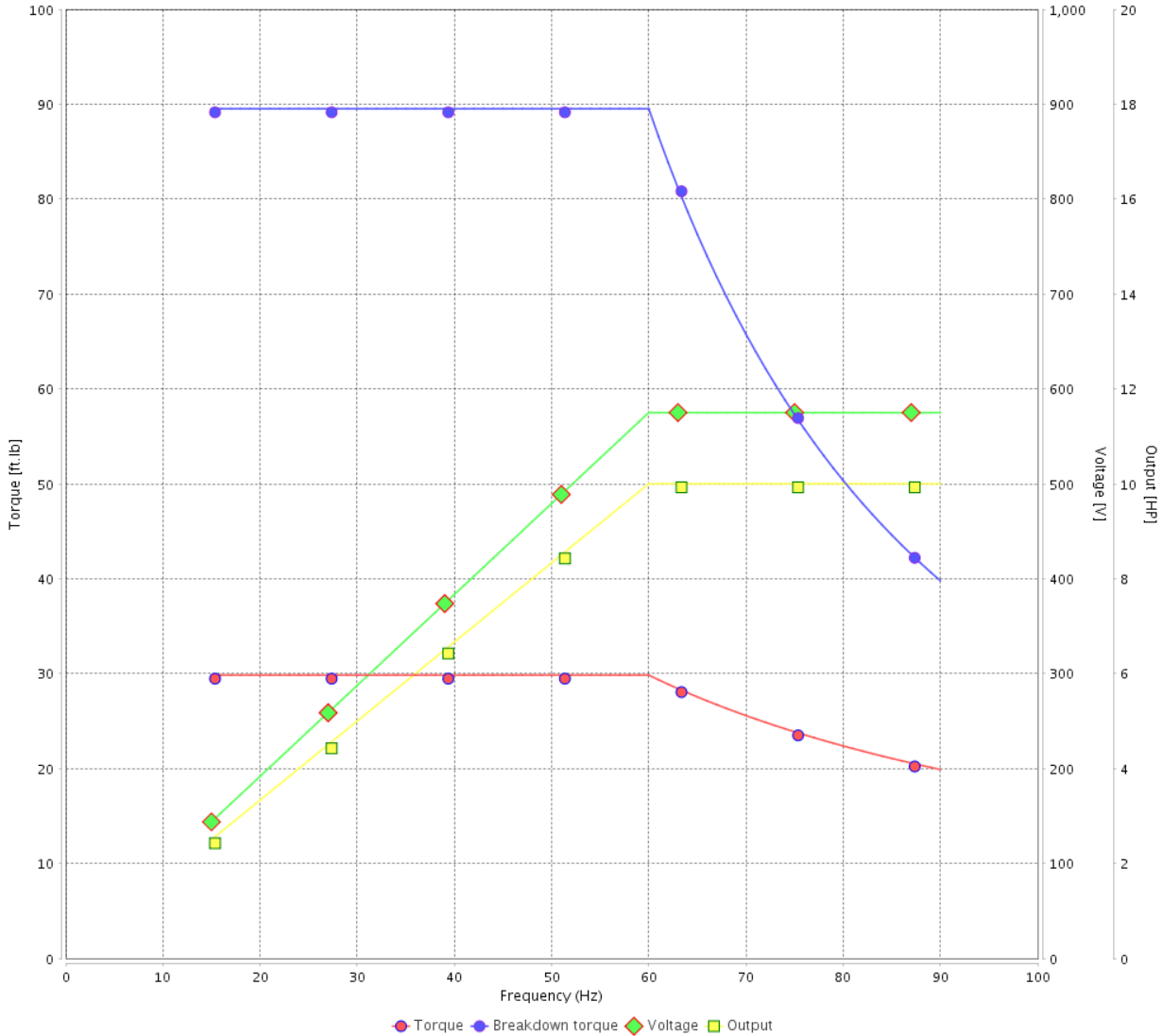
Customer :

Product line : JM Pump NEMA Premium Efficiency Three-Phase

Product code : 14218467

Catalog # : 01018ET3H215JM-SG

VFD OPERATION CURVE



Performance : 575 V 60 Hz 4P

Rated current : 9.76 A  
 LRC : 7.0  
 Rated torque : 29.8 ft.lb  
 Locked rotor torque : 250 %  
 Breakdown torque : 300 %  
 Rated speed : 1760 rpm

Moment of inertia (J) : 1.07 sq.ft.lb  
 Duty cycle : Cont.(S1)  
 Insulation class : F  
 Service factor : 1.15  
 Temperature rise : 80 K  
 Design : B

Rev.	Changes Summary	Performed	Checked	Date
Performed by			Page 6 / 6	Revision
Checked by				
Date	12/04/2022			

1 2 3 4 5 6

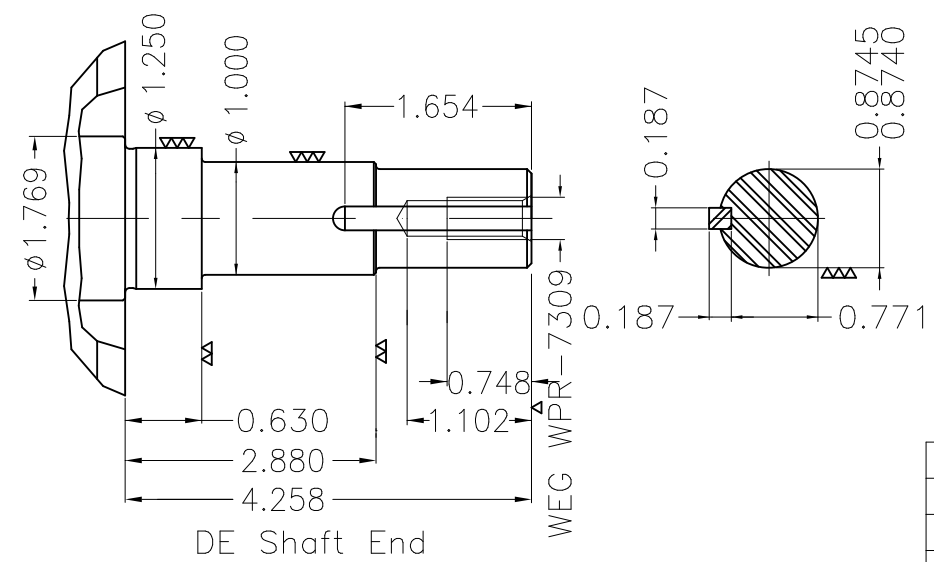
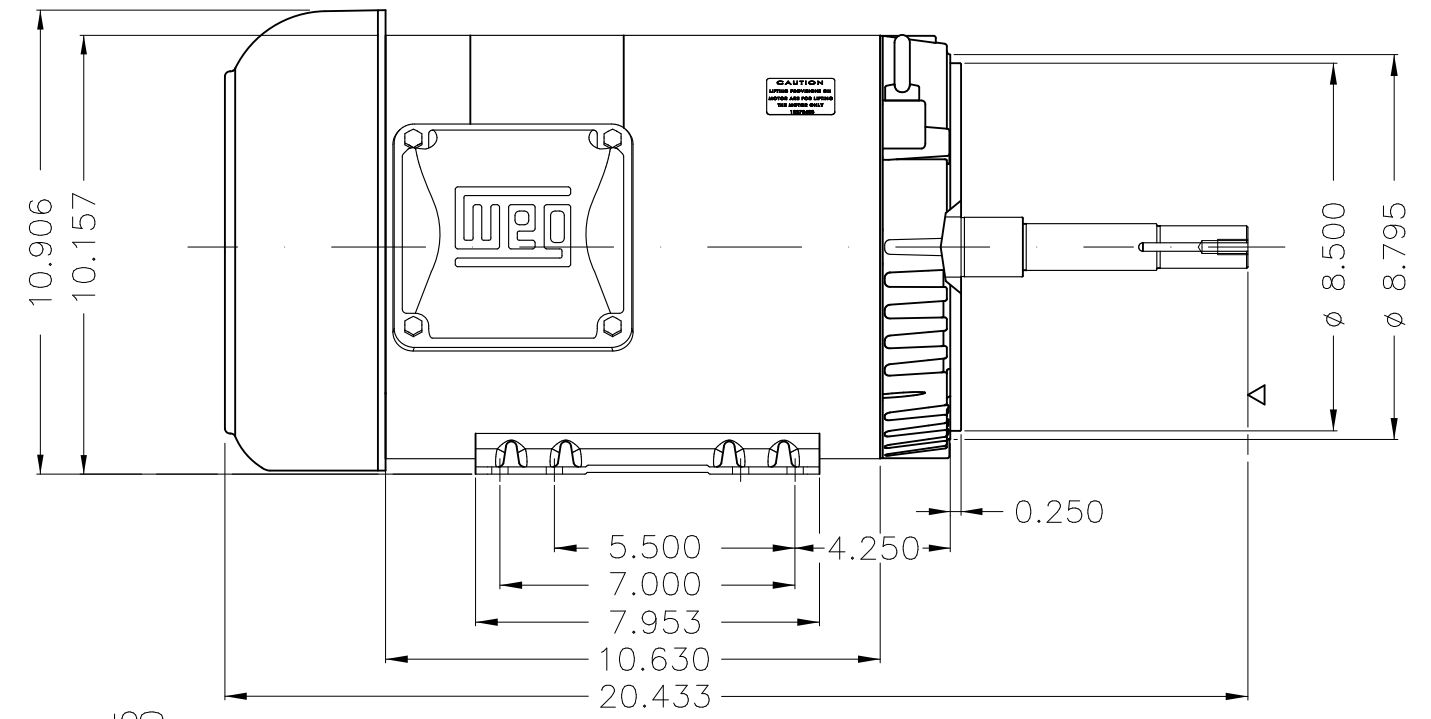
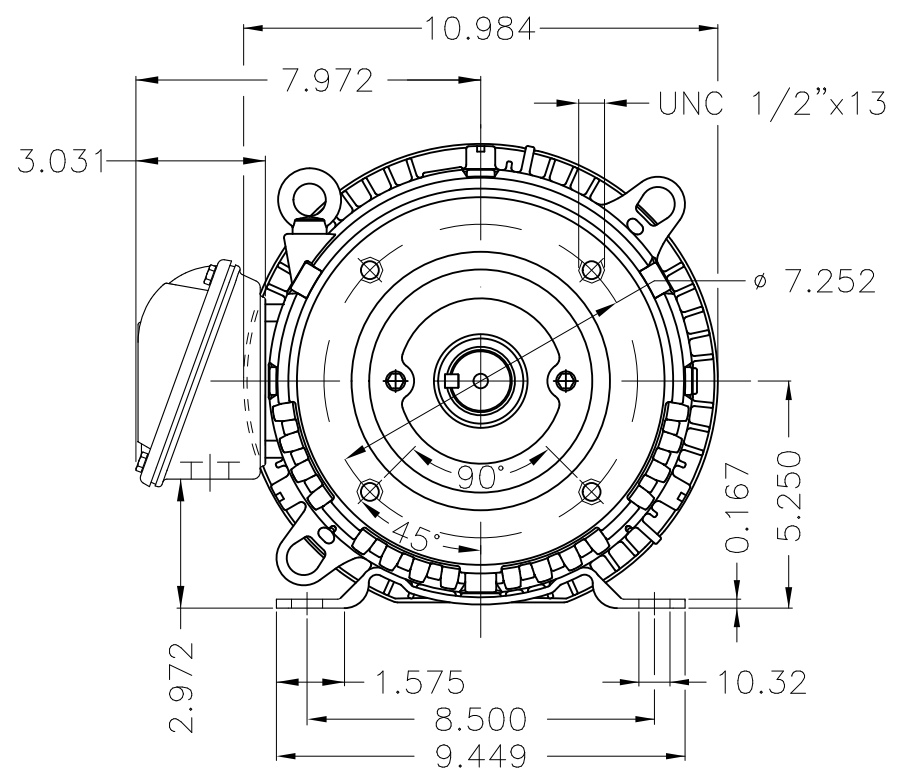
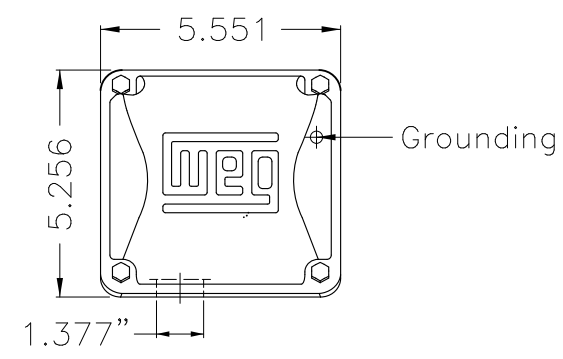
A

B

C

D

E



EUNC 3/8" - 16 WEG WPR-7309

Internal AEGIS ground ring on the DE  
 Color Munsell N 1 matte black  
 Painting plan 207N  
 Mounting F-1/B34R(D)

ECM	LOC	SUMMARY OF MODIFICATIONS	EXECUTED	CHECKED	RELEASED	DATE	VER
EXECUTED	PIRWBUSER	THREE PH. MOTOR ROLLED STEEL CLOSE COUPLED PUMP JN TYPE PSEF 575					
CHECKED		FRAME 213/5JM IP55 TEFC					
RELEASED							
REL DT.	WMO	Jaragua do Sul	Product Engineering	WDD			

10 HP 04 Poles 60 Hz

REL DT. WMO Jaragua do Sul Product Engineering SHEET 1 / 1



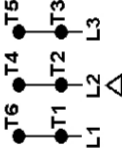
Dimensions in inches XME A3

**NEMA**  
**Premium**

MADE IN MEXICO

**MAT: 14218467 CC029A****W01.TE0IC0X0N****JM010504NPW01GR****25FEB2022 S/N:**

<b>PH 3</b>	<b>Hz 60</b>	<b>HP 10</b>
<b>FR 213/5JM</b>		<b>KW 7.5</b>
<b>DUTY CONT.</b>		<b>V 575</b>
<b>ALT 1000 m.a.s.l.</b>		<b>A 9.76</b>
<b>INS CL F AT 80K</b>	<b>IP55</b>	<b>SFA 11.2</b>
<b>AMB 40°C</b>	<b>DES B</b>	<b>SF 1.15</b>
<b>ENCL TEFC</b>	<b>CODE H</b>	<b>PF 0.84</b>
		<b>RPM 1760</b>
		<b>NEMA NOM. EFF 91.7%</b>

**Inverter duty motor For use on VPWM 1000:1 VT, 4:1 CT****DE 6209-ZZ ODE 6206-ZZ MOBIL POLYREX EM**

T1-BLU  
T2-WHT  
T3-ORG  
T4-YEL  
T5-BLK  
T6-GRY

**INTERCHANGE ANY TWO LINE WIRES TO REVERSE THE ROTATION**

**WARNING:** Motor must be grounded in accordance with local and national electrical codes to prevent serious electrical shocks. Disconnect power source before servicing unit.



**AVERTISSEMENT:** Le moteur doit être mis à la terre

conformément aux codes électriques locaux et nationaux afin d'éviter tout choc électrique grave. Déconnectez l'alimentation avant l'entretien de la machine.

