

DATA SHEET



Three Phase Induction Motor - Squirrel Cage

Customer :																			
Product line	: JP Pump NEMA Premium Efficiency Three-Phase																		
Product code :	13507661																		
Catalog # :	01018ET3H215JP-S																		
Frame : 213/5JP Output : 10 HP (7.5 kW) Poles : 4 Frequency : 60 Hz Rated voltage : 575 V Rated current : 9.76 A L. R. Amperes : 68.3 A LRC : 7.0x(Code H) No load current : 4.43 A Rated speed : 1760 rpm Slip : 2.22 % Rated torque : 29.8 ft.lb Locked rotor torque : 250 % Breakdown torque : 300 % Insulation class : F Service factor : 1.15 Moment of inertia (J) : 1.07 sq.ft.lb Design : B	Locked rotor time : 27s (cold) 15s (hot) Temperature rise : 80 K Duty cycle : Cont.(S1) Ambient temperature : -20°C to +40°C Altitude : 1000 m.a.s.l. Protection degree : IP55 Cooling method : IC411 - TEFC Mounting : F-1 Rotation ¹ : Both (CW and CCW) Noise level ² : 60.0 dB(A) Starting method : Direct On Line Approx. weight ³ : 145 lb																		
Output	25% 50% 75% 100%																		
Efficiency (%)	90.2 91.0 91.0 91.7																		
Power Factor	0.41 0.67 0.78 0.84																		
Foundation loads																			
Max. traction : 432 lb																			
Max. compression : 577 lb																			
	<table border="0"> <tr> <td></td> <td style="text-align: center;"><u>Drive end</u></td> <td style="text-align: center;"><u>Non drive end</u></td> </tr> <tr> <td>Bearing type :</td> <td style="text-align: center;">6209 ZZ</td> <td style="text-align: center;">6206 ZZ</td> </tr> <tr> <td>Sealing :</td> <td style="text-align: center;">V'Ring</td> <td style="text-align: center;">Without Bearing Seal</td> </tr> <tr> <td>Lubrication interval :</td> <td style="text-align: center;">-</td> <td style="text-align: center;">-</td> </tr> <tr> <td>Lubricant amount :</td> <td style="text-align: center;">-</td> <td style="text-align: center;">-</td> </tr> <tr> <td>Lubricant type :</td> <td colspan="2" style="text-align: center;">Mobil Polyrex EM</td> </tr> </table>		<u>Drive end</u>	<u>Non drive end</u>	Bearing type :	6209 ZZ	6206 ZZ	Sealing :	V'Ring	Without Bearing Seal	Lubrication interval :	-	-	Lubricant amount :	-	-	Lubricant type :	Mobil Polyrex EM	
	<u>Drive end</u>	<u>Non drive end</u>																	
Bearing type :	6209 ZZ	6206 ZZ																	
Sealing :	V'Ring	Without Bearing Seal																	
Lubrication interval :	-	-																	
Lubricant amount :	-	-																	
Lubricant type :	Mobil Polyrex EM																		
Notes																			
This revision replaces and cancel the previous one, which must be eliminated. (1) Looking the motor from the shaft end. (2) Measured at 1m and with tolerance of +3dB(A). (3) Approximate weight subject to changes after manufacturing process. (4) At 100% of full load.																			
These are average values based on tests with sinusoidal power supply, subject to the tolerances stipulated in NEMA MG-1.																			
Rev.	Changes Summary	Performed	Checked	Date															
Performed by																			
Checked by			Page	Revision															
Date	12/04/2022		1 / 6																

TORQUE AND CURRENT VS SPEED CURVE

Three Phase Induction Motor - Squirrel Cage



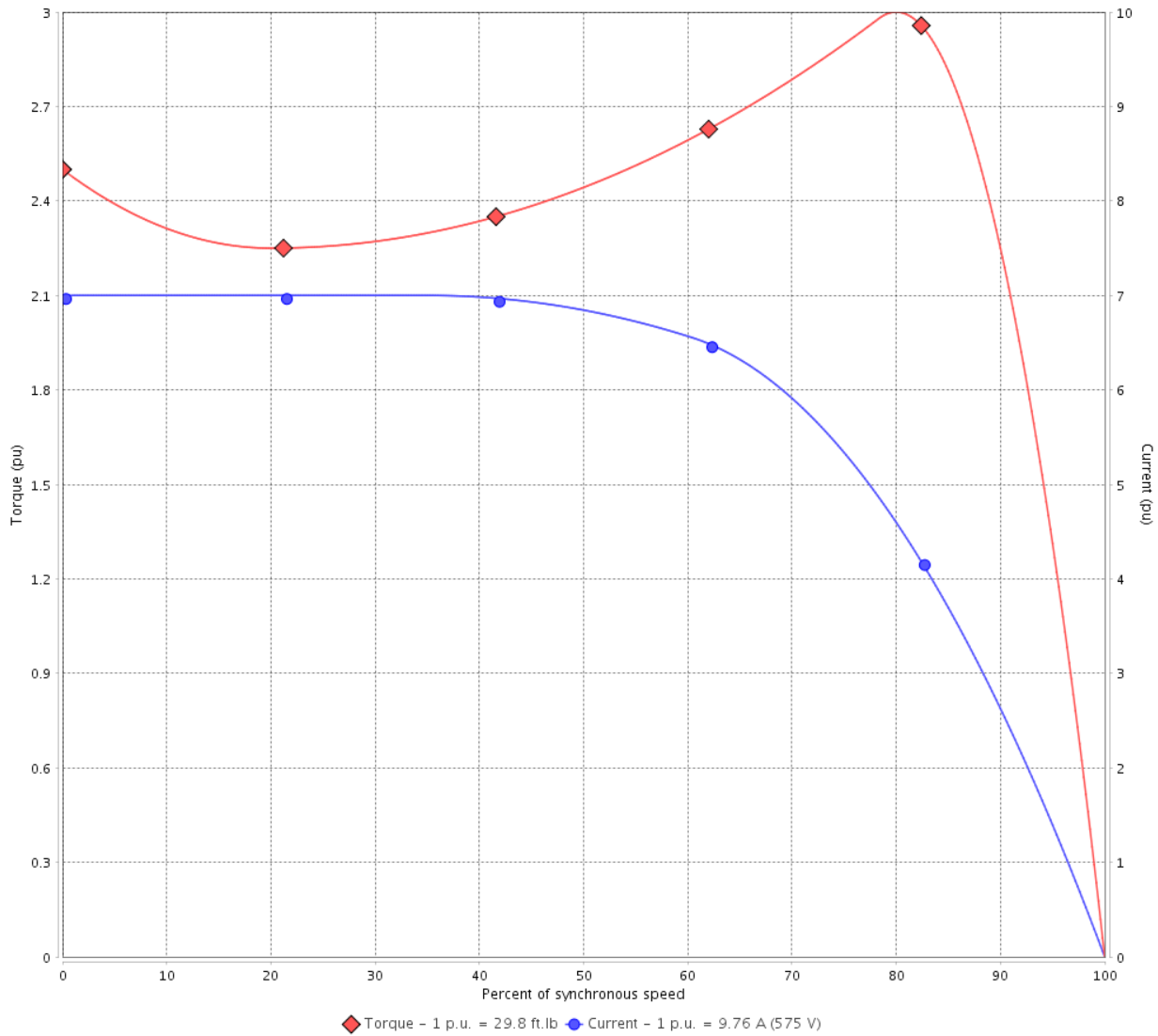
Customer :

Product line : JP Pump NEMA Premium
Efficiency Three-Phase

Product code : 13507661

Catalog # : 01018ET3H215JP-S

TORQUE AND CURRENT VS SPEED CURVE



Performance : 575 V 60 Hz 4P

Rated current	: 9.76 A	Moment of inertia (J)	: 1.07 sq.ft.lb
LRC	: 7.0	Duty cycle	: Cont.(S1)
Rated torque	: 29.8 ft.lb	Insulation class	: F
Locked rotor torque	: 250 %	Service factor	: 1.15
Breakdown torque	: 300 %	Temperature rise	: 80 K
Rated speed	: 1760 rpm	Design	: B

Locked rotor time : 27s (cold) 15s (hot)

Rev.	Changes Summary	Performed	Checked	Date
Performed by			Page 2 / 6	Revision
Checked by				
Date	12/04/2022			

LOAD PERFORMANCE CURVE

Three Phase Induction Motor - Squirrel Cage

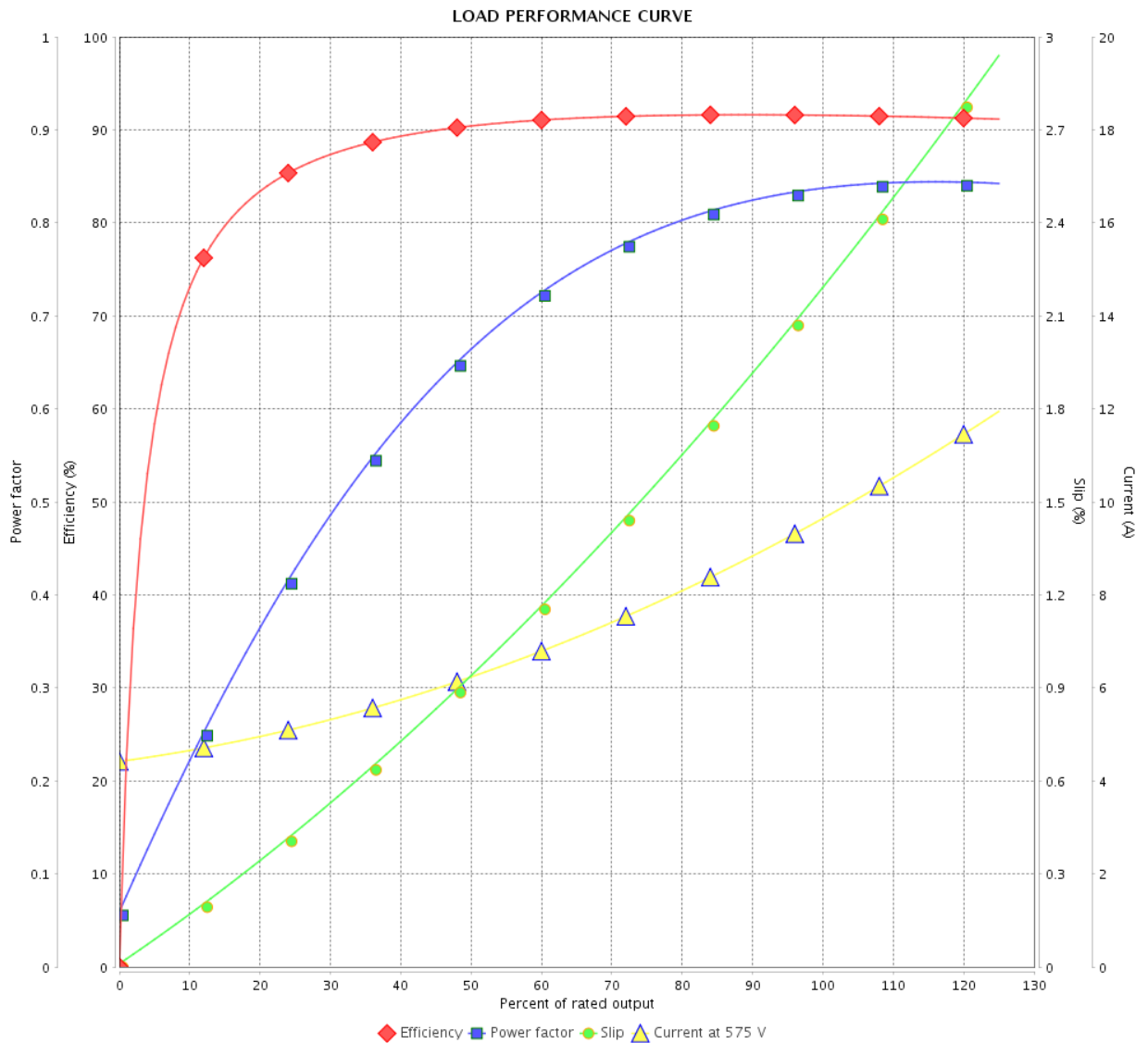


Customer : _____

Product line : JP Pump NEMA Premium Efficiency Three-Phase

Product code : 13507661

Catalog # : 01018ET3H215JP-S



Performance : 575 V 60 Hz 4P

Rated current : 9.76 A
 LRC : 7.0
 Rated torque : 29.8 ft.lb
 Locked rotor torque : 250 %
 Breakdown torque : 300 %
 Rated speed : 1760 rpm

Moment of inertia (J) : 1.07 sq.ft.lb
 Duty cycle : Cont.(S1)
 Insulation class : F
 Service factor : 1.15
 Temperature rise : 80 K
 Design : B

Rev.	Changes Summary	Performed	Checked	Date
Performed by		Page		Revision
Checked by		3 / 6		
Date		12/04/2022		

THERMAL LIMIT CURVE



Three Phase Induction Motor - Squirrel Cage

Customer :

Product line : JP Pump NEMA Premium
Efficiency Three-Phase

Product code : 13507661

Catalog # : 01018ET3H215JP-S

Performance : 575 V 60 Hz 4P

Rated current	: 9.76 A	Moment of inertia (J)	: 1.07 sq.ft.lb
LRC	: 7.0	Duty cycle	: Cont.(S1)
Rated torque	: 29.8 ft.lb	Insulation class	: F
Locked rotor torque	: 250 %	Service factor	: 1.15
Breakdown torque	: 300 %	Temperature rise	: 80 K
Rated speed	: 1760 rpm	Design	: B

Heating constant

Cooling constant

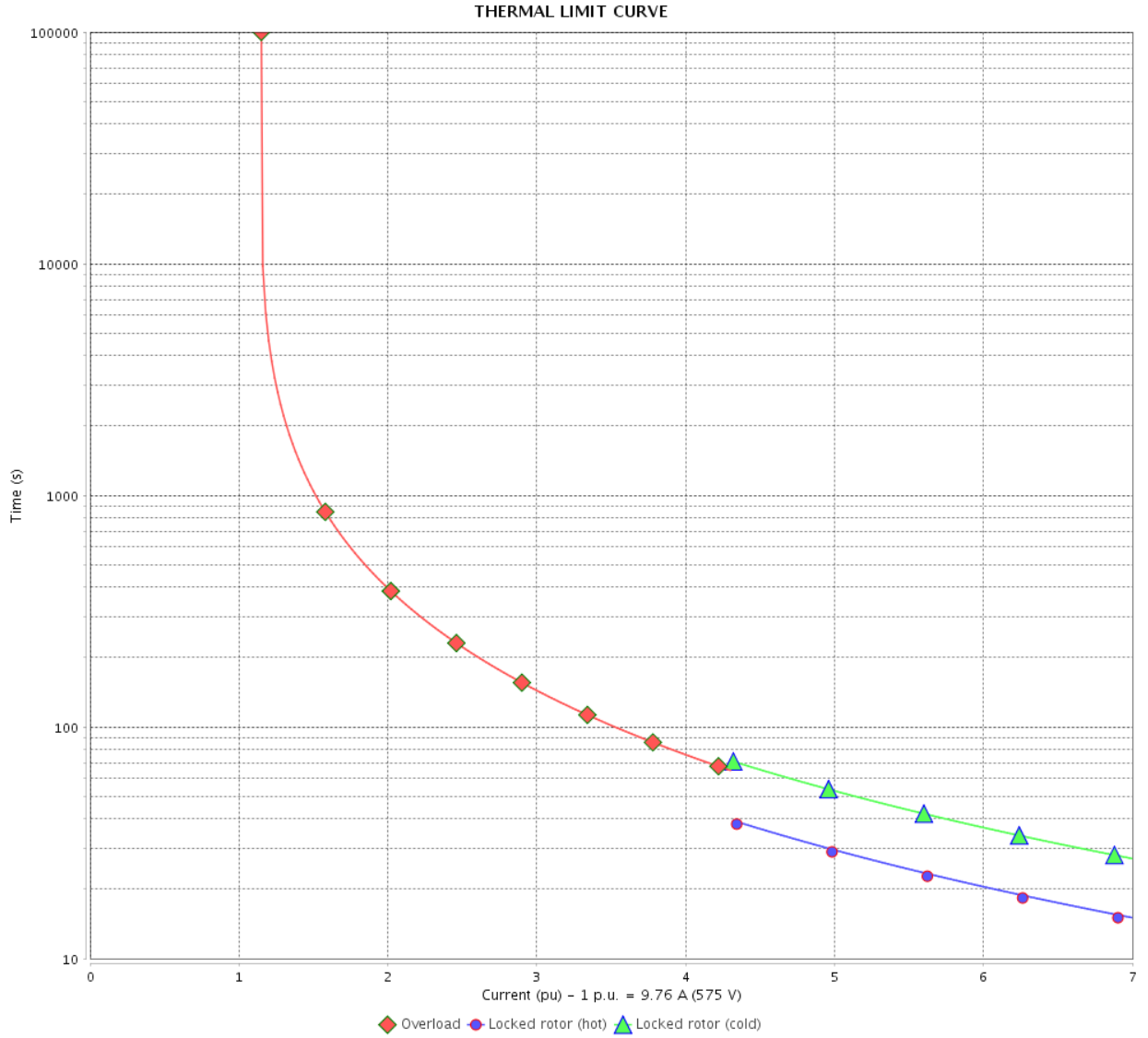
Rev.	Changes Summary	Performed	Checked	Date
Performed by				
Checked by			Page	Revision
Date	12/04/2022		4 / 6	

THERMAL LIMIT CURVE

Three Phase Induction Motor - Squirrel Cage



Customer : _____



Rev.	Changes Summary	Performed	Checked	Date
Performed by		Page 5 / 6		Revision
Checked by				
Date				

VFD OPERATION CURVE

Three Phase Induction Motor - Squirrel Cage



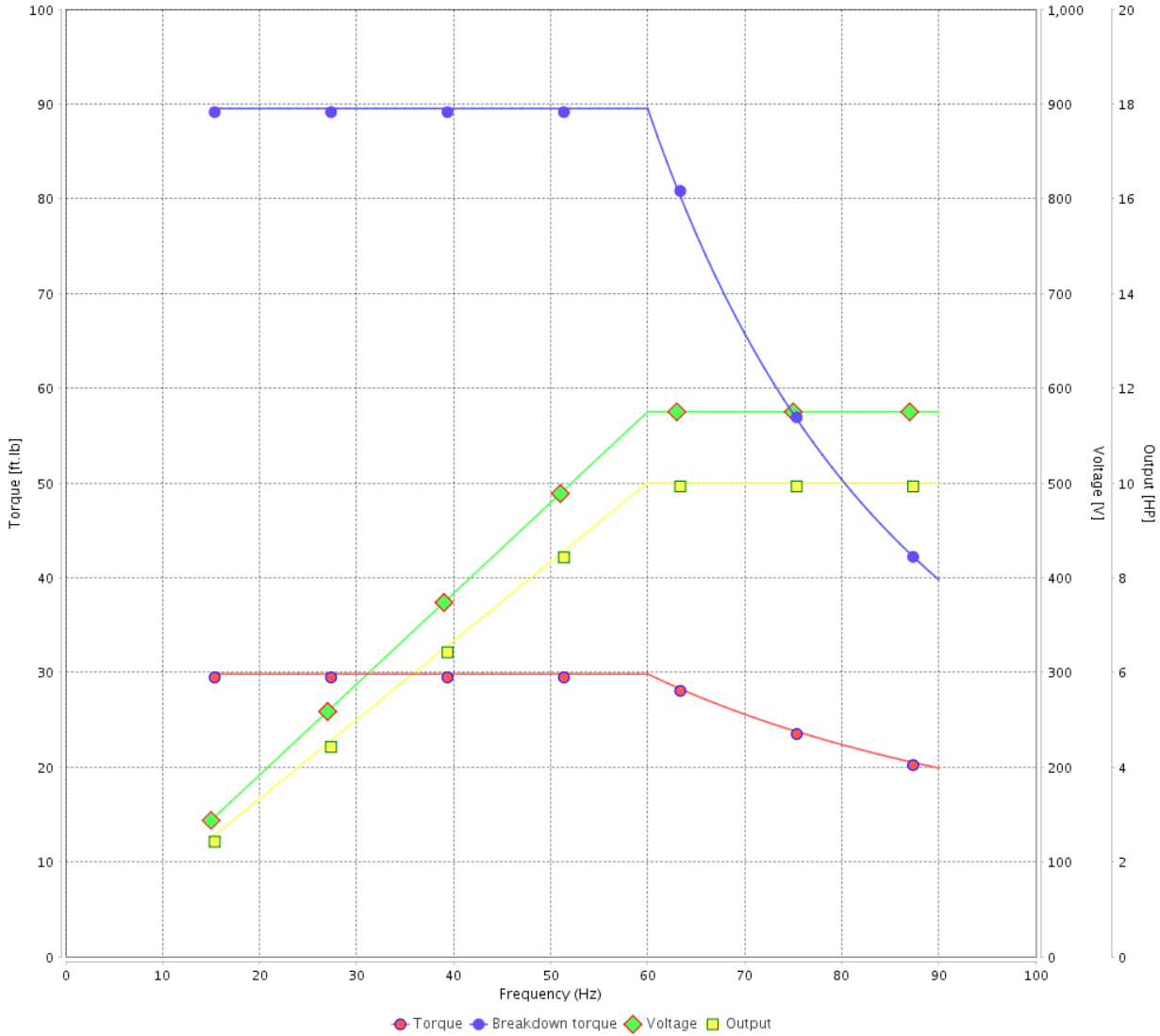
Customer :

Product line : JP Pump NEMA Premium Efficiency Three-Phase

Product code : 13507661

Catalog # : 01018ET3H215JP-S

VFD OPERATION CURVE



Performance : 575 V 60 Hz 4P

Rated current : 9.76 A
 LRC : 7.0
 Rated torque : 29.8 ft.lb
 Locked rotor torque : 250 %
 Breakdown torque : 300 %
 Rated speed : 1760 rpm

Moment of inertia (J) : 1.07 sq.ft.lb
 Duty cycle : Cont.(S1)
 Insulation class : F
 Service factor : 1.15
 Temperature rise : 80 K
 Design : B

Rev.	Changes Summary	Performed	Checked	Date
Performed by			Page 6 / 6	Revision
Checked by				
Date	12/04/2022			

1 2 3 4 5 6

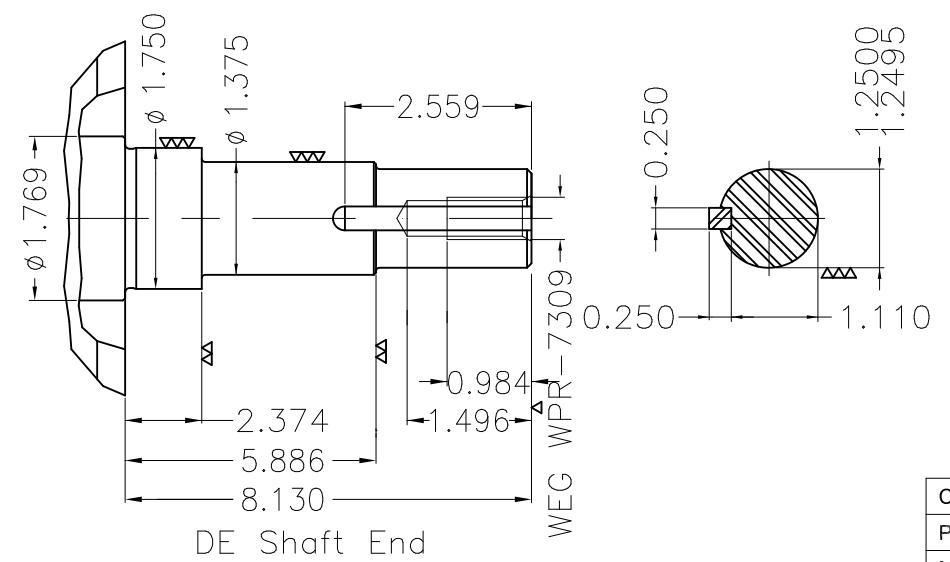
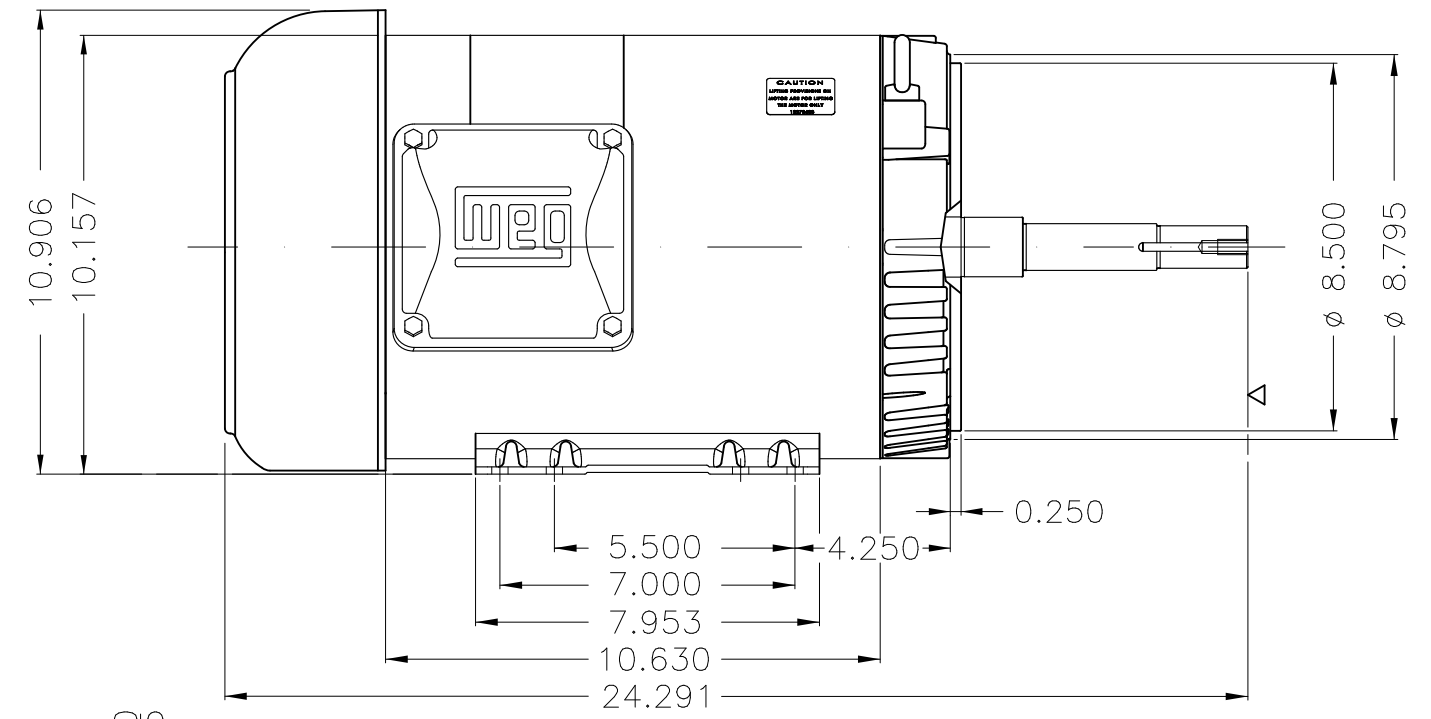
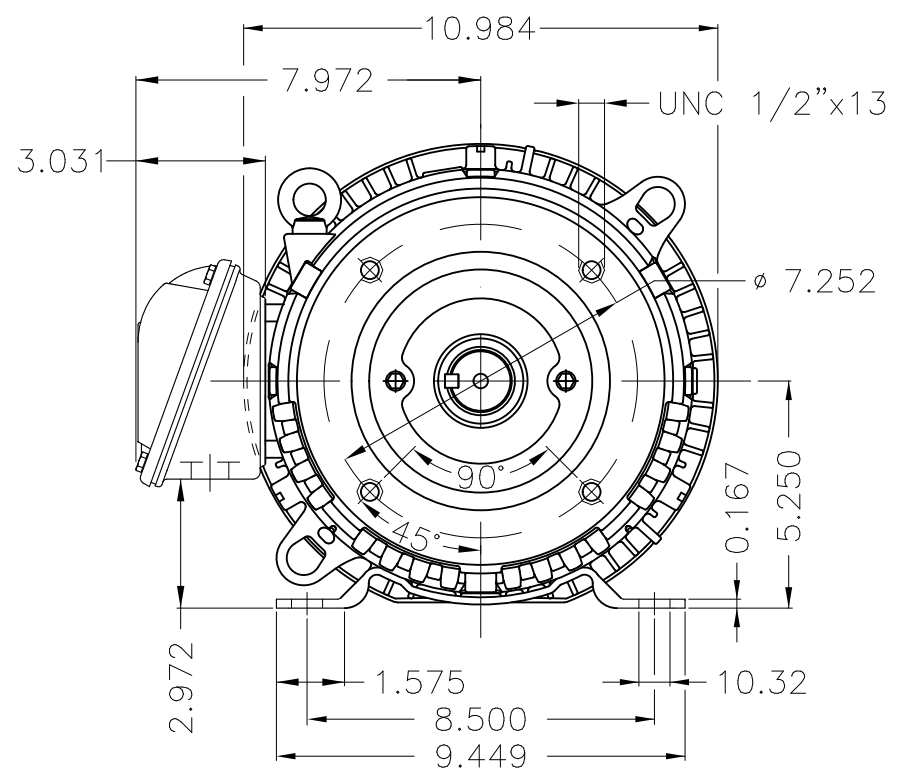
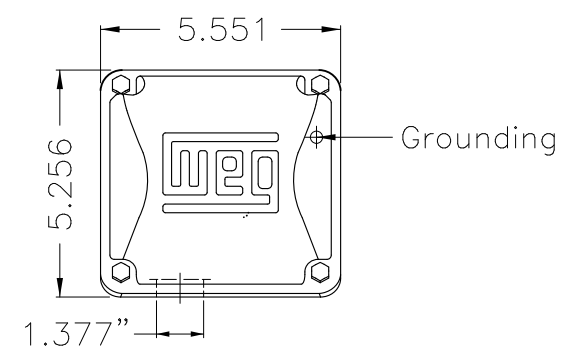
A

B

C

D

E



EUNC 1/2"-13 WEG WPR-7309

Color Munsell N 1 matte black									
Painting plan 207N									
Mounting F-1/B34R(D)									
ECM	LOC	SUMMARY OF MODIFICATIONS			EXECUTED	CHECKED	RELEASED	DATE	VER
EXECUTED	PIRWBUSER	THREE PH. MOTOR ROLLED STEEL CLOSE COUPLED PUMP JP 5/5 DE PREM LTT							
CHECKED		FRAME 213/5JP IP55 TEFC							
RELEASED									
REL DT.	WMO	Jaragua do Sul	Product Engineering	SHEET	1 / 1				

10 HP 04 Poles 60 Hz



NEMA
Premium



MADE IN MEXICO

MAT: 13507661 CC029A

W01.TE0IC0X0N

MODEL 01018ET3H215JP-S

28JUL2021 S/N:

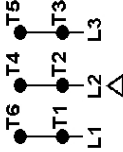
**For 60Hz: Class I, Zone 2, IIC
Class I, Div.2, Gr. A,B,C,D - T3
DIV 2 Inverter Duty (SF1.00)**

CT 2:1/VT 1000:1

PH 3	Hz 60	HP 10
FR 213/5.JP		KW 7.5
DUTY CONT.		V 575
ALT 1000 m.a.s.l.		A 9.76
INS CL F AT 80K	IP55	SFA 11.2
AMB 40°C	DES B	SF 1.15
ENCL TEFC	CODE H	PF 0.84
		RPM 1760
		NEMA NOM. EFF 91.7%

For safe area-Inverter duty motor For use on VPWM 1000:1 VT, 4:1 CT

DE 6209-ZZ ODE 6206-ZZ MOBIL POLYREX EM



T1-BLU
T2-WHT
T3-ORG
T4-YEL
T5-BLK
T6-GRY



INTERCHANGE ANY TWO LINE WIRES TO REVERSE THE ROTATION

WARNING: Motor must be grounded in accordance with local and national electrical codes to prevent serious electrical shocks. Disconnect power source before servicing unit.



AVERTISSEMENT: Le moteur doit être mis à la terre

conformément aux codes électriques locaux et nationaux afin d'éviter tout choc électrique grave. Déconnectez l'alimentation avant l'entretien de la machine.

