

# DATA SHEET

## Three Phase Induction Motor - Squirrel Cage



Customer :		
Product line	: NEMA Premium Efficiency Three-Phase	
Product code :	12630272	
Catalog # :	01018OT3E215T-S	
Frame	: 213/5T	
Insulation class	: F	
Duty cycle	: Cont.(S1)	
Ambient temperature	: -20°C to +40°C	
Altitude	: 1000 m.a.s.l.	
Design	: B	
Cooling method	: IC01 - ODP	
Mounting	: F-1	
Rotation <sup>1</sup>	: Both (CW and CCW)	
Starting method	: Direct On Line	
Approx. weight <sup>2</sup>	: 122 lb	
Moment of inertia (J)	: 1.30 sq.ft.lb	
Output [HP]	10	
Poles	4	
Frequency [Hz]	60	
Rated voltage [V]	230/460	
Rated current [A]	24.8/12.4	
L. R. Amperes [A]	174/86.8	
LRC [A]	7.0x(Code H)	
No load current [A]	12.0/5.99	
Rated speed [RPM]	1770	
Slip [%]	1.67	
Rated torque [ft.lb]	29.7	
Locked rotor torque [%]	250	
Breakdown torque [%]	350	
Service factor	1.15	
Temperature rise	80 K	
Locked rotor time	25s (cold) 14s (hot)	
Noise level <sup>2</sup>	59.0 dB(A)	
Efficiency (%)	25%	89.4
	50%	90.2
	75%	91.0
	100%	91.7
Power Factor	25%	0.38
	50%	0.64
	75%	0.77
	100%	0.83
Bearing type	: <u>Drive end</u> 6208 ZZ <u>Non drive end</u> 6206 ZZ	
Sealing	: Without Without Bearing Seal Bearing Seal	
Lubrication interval	: - -	
Lubricant amount	: - -	
Lubricant type	: Mobil Polyrex EM	
Foundation loads	Max. traction : 505 lb Max. compression : 627 lb	
Notes USABLE @208V 27.4A SF 1.00 SFA 27.4A		
This revision replaces and cancel the previous one, which must be eliminated. (1) Looking the motor from the shaft end. (2) Measured at 1m and with tolerance of +3dB(A). (3) Approximate weight subject to changes after manufacturing process. (4) At 100% of full load.		
These are average values based on tests with sinusoidal power supply, subject to the tolerances stipulated in NEMA MG-1.		
Rev.	Changes Summary	
Performed by	Performed	
Checked by	Checked	
Date	Date	
12/04/2022		
Page	Revision	
1 / 16		

# TORQUE AND CURRENT VS SPEED CURVE

Three Phase Induction Motor - Squirrel Cage



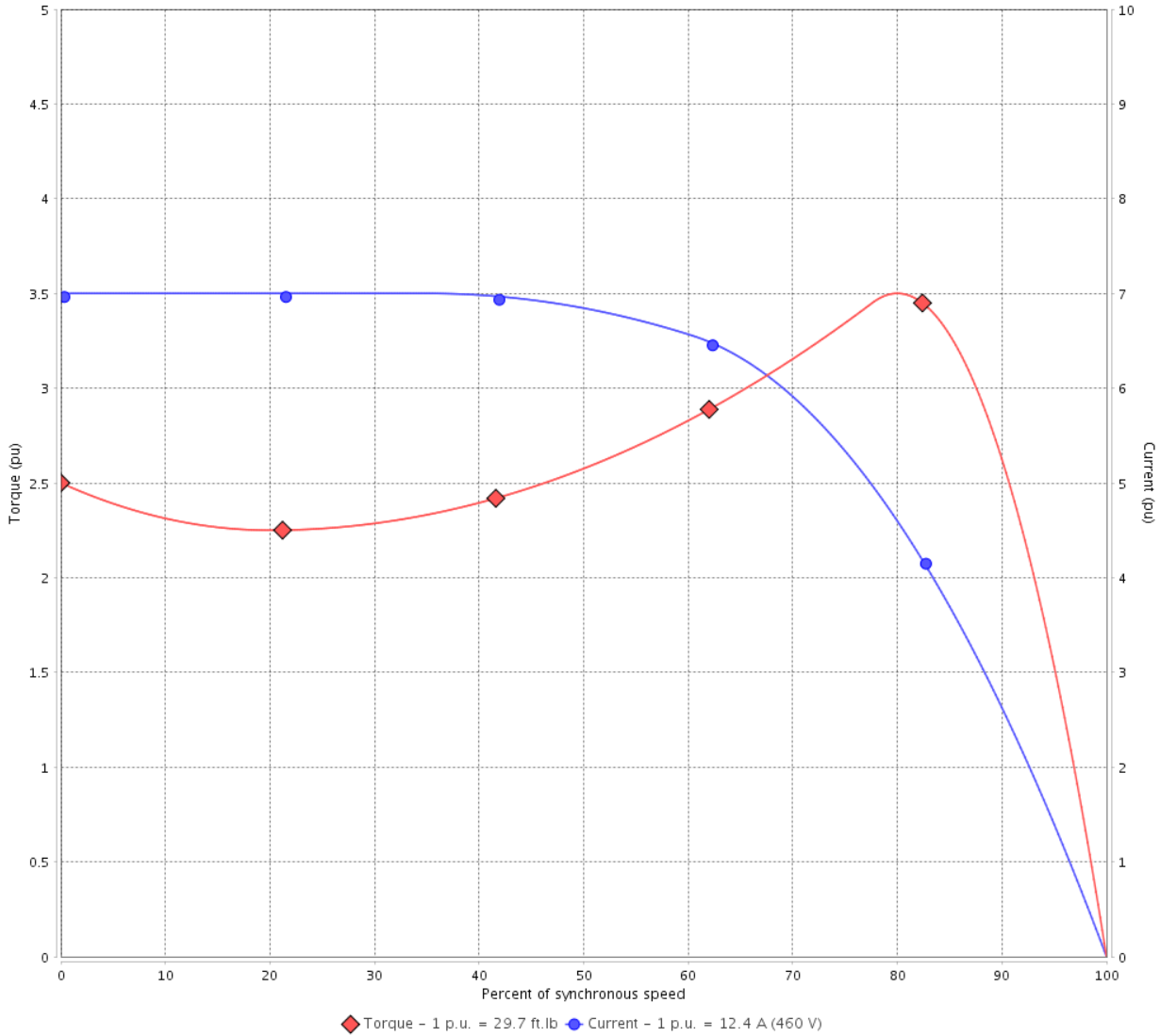
Customer :

Product line : NEMA Premium Efficiency Three-Phase

Product code : 12630272

Catalog # : 01018OT3E215T-S

TORQUE AND CURRENT VS SPEED CURVE



Performance : 230/460 V 60 Hz 4P

Rated current	: 24.8/12.4 A	Moment of inertia (J)	: 1.30 sq.ft.lb
LRC	: 7.0	Duty cycle	: Cont.(S1)
Rated torque	: 29.7 ft.lb	Insulation class	: F
Locked rotor torque	: 250 %	Service factor	: 1.15
Breakdown torque	: 350 %	Temperature rise	: 80 K
Rated speed	: 1770 rpm	Design	: B

Locked rotor time : 25s (cold) 14s (hot)

Rev.	Changes Summary	Performed	Checked	Date
Performed by			Page 2 / 16	Revision
Checked by				
Date	12/04/2022			

# TORQUE AND CURRENT VS SPEED CURVE



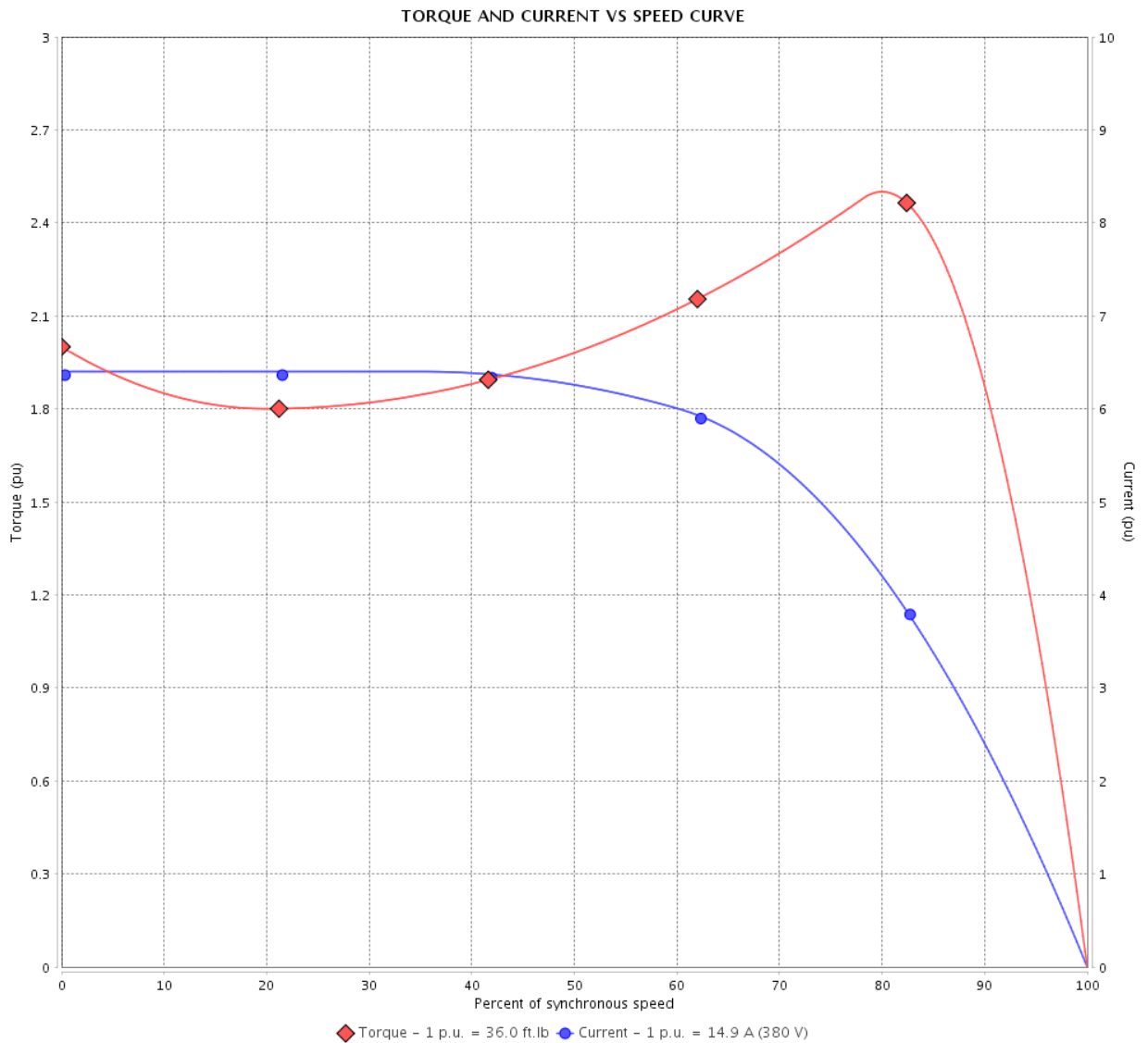
## Three Phase Induction Motor - Squirrel Cage

Customer :

Product line : NEMA Premium Efficiency Three-Phase

Product code : 12630272

Catalog # : 01018OT3E215T-S



Performance : 190/380 V 50 Hz 4P

Rated current	: 29.8/14.9 A	Moment of inertia (J)	: 1.30 sq.ft.lb
LRC	: 6.4	Duty cycle	: Cont.(S1)
Rated torque	: 36.0 ft.lb	Insulation class	: F
Locked rotor torque	: 200 %	Service factor	: 1.15
Breakdown torque	: 250 %	Temperature rise	: 80 K
Rated speed	: 1460 rpm	Design	: B

Locked rotor time : 0s (cold) 0s (hot)

Rev.	Changes Summary	Performed	Checked	Date
Performed by			Page 3 / 16	Revision
Checked by				
Date	12/04/2022			

# TORQUE AND CURRENT VS SPEED CURVE

Three Phase Induction Motor - Squirrel Cage



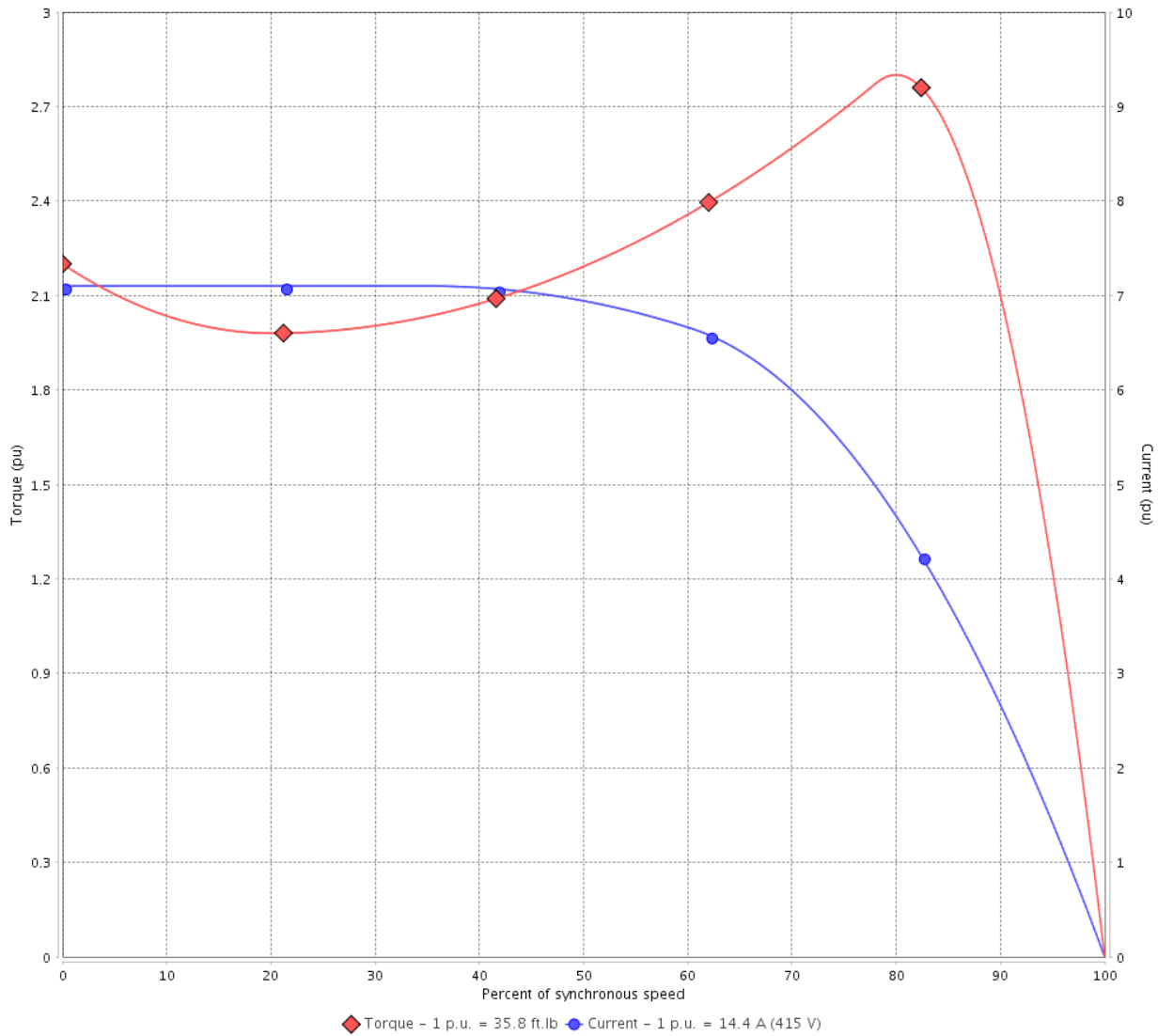
Customer :

Product line : NEMA Premium Efficiency Three-Phase

Product code : 12630272

Catalog # : 01018OT3E215T-S

TORQUE AND CURRENT VS SPEED CURVE



Performance : 220/415 V 50 Hz 4P

Rated current	: 27.2/14.4 A	Moment of inertia (J)	: 1.30 sq.ft.lb
LRC	: 7.1	Duty cycle	: Cont.(S1)
Rated torque	: 35.8 ft.lb	Insulation class	: F
Locked rotor torque	: 220 %	Service factor	: 1.15
Breakdown torque	: 280 %	Temperature rise	: 80 K
Rated speed	: 1465 rpm	Design	: B

Locked rotor time : 0s (cold) 0s (hot)

Rev.	Changes Summary	Performed	Checked	Date
Performed by			Page 4 / 16	Revision
Checked by				
Date	12/04/2022			

# LOAD PERFORMANCE CURVE

## Three Phase Induction Motor - Squirrel Cage

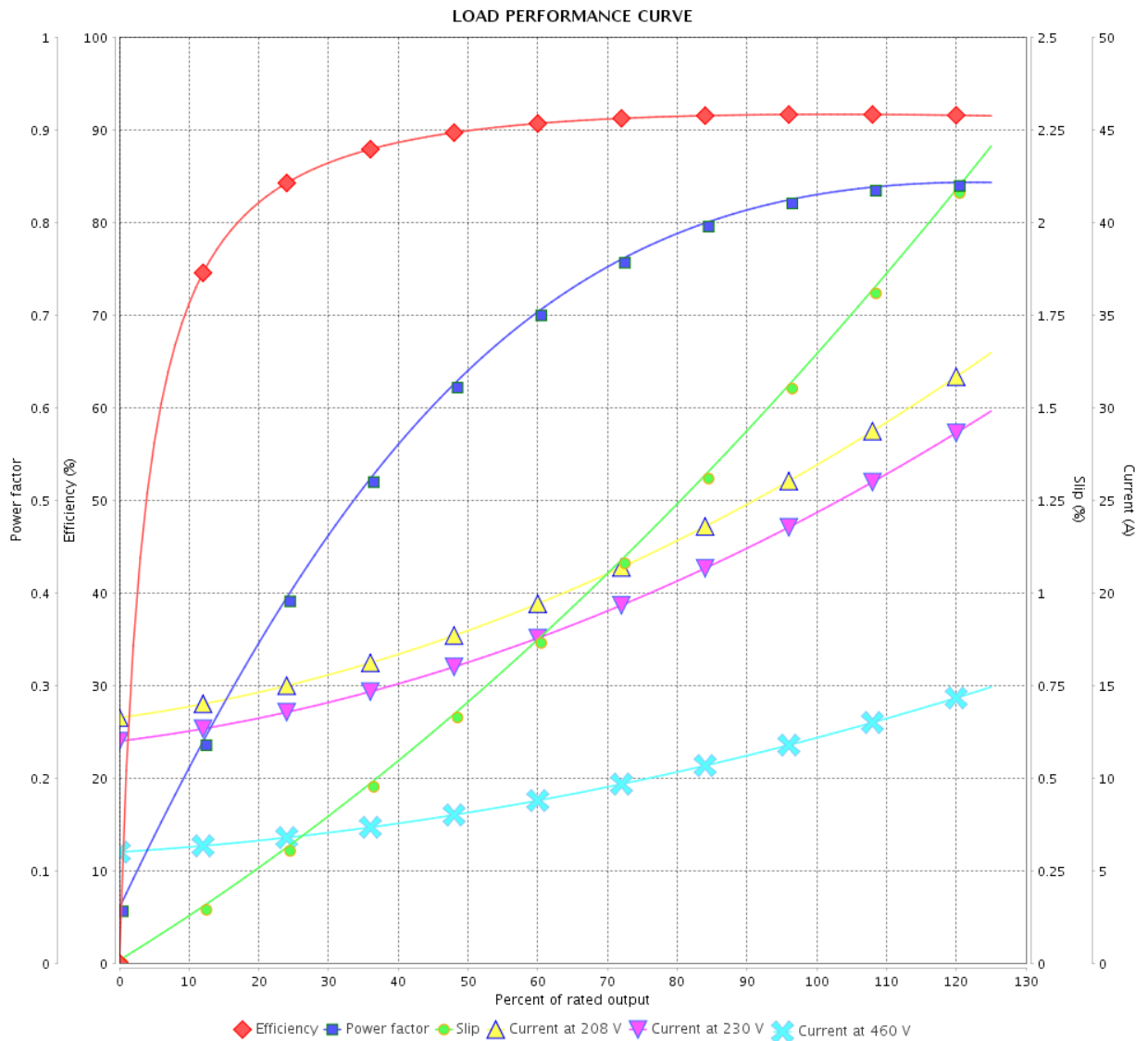


Customer :

Product line : NEMA Premium Efficiency Three-Phase

Product code : 12630272

Catalog # : 01018OT3E215T-S



Performance : 230/460 V 60 Hz 4P

Rated current : 24.8/12.4 A  
 LRC : 7.0  
 Rated torque : 29.7 ft.lb  
 Locked rotor torque : 250 %  
 Breakdown torque : 350 %  
 Rated speed : 1770 rpm

Moment of inertia (J) : 1.30 sq.ft.lb  
 Duty cycle : Cont.(S1)  
 Insulation class : F  
 Service factor : 1.15  
 Temperature rise : 80 K  
 Design : B

Rev.	Changes Summary	Performed	Checked	Date
Performed by			Page	Revision
Checked by				
Date				

# LOAD PERFORMANCE CURVE

Three Phase Induction Motor - Squirrel Cage



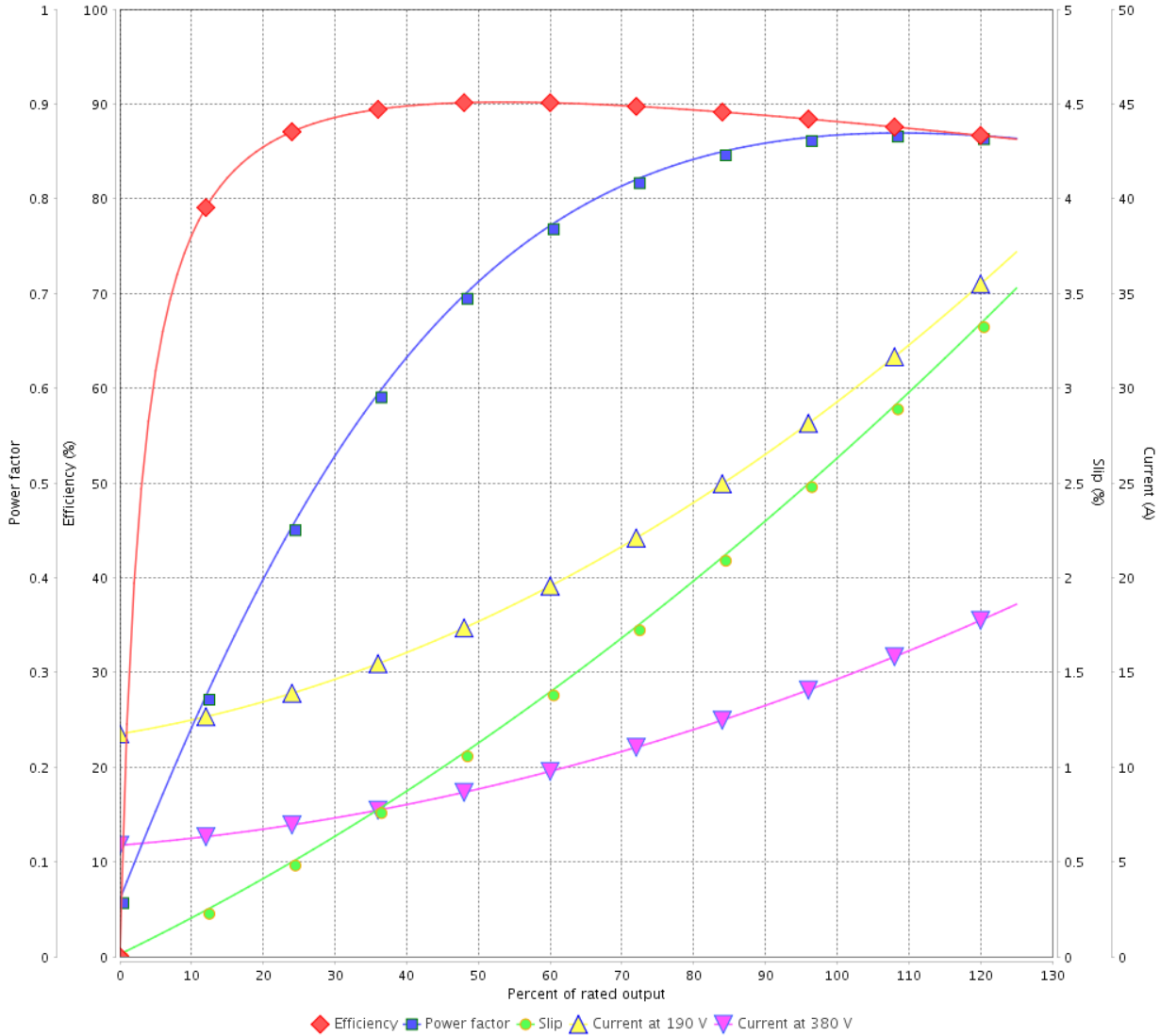
Customer :

Product line : NEMA Premium Efficiency Three-Phase

Product code : 12630272

Catalog # : 01018OT3E215T-S

LOAD PERFORMANCE CURVE



Performance : 190/380 V 50 Hz 4P

Rated current : 29.8/14.9 A  
 LRC : 6.4  
 Rated torque : 36.0 ft.lb  
 Locked rotor torque : 200 %  
 Breakdown torque : 250 %  
 Rated speed : 1460 rpm

Moment of inertia (J) : 1.30 sq.ft.lb  
 Duty cycle : Cont.(S1)  
 Insulation class : F  
 Service factor : 1.15  
 Temperature rise : 80 K  
 Design : B

Rev.	Changes Summary	Performed	Checked	Date
Performed by			Page	Revision
Checked by				
Date				

# LOAD PERFORMANCE CURVE

## Three Phase Induction Motor - Squirrel Cage

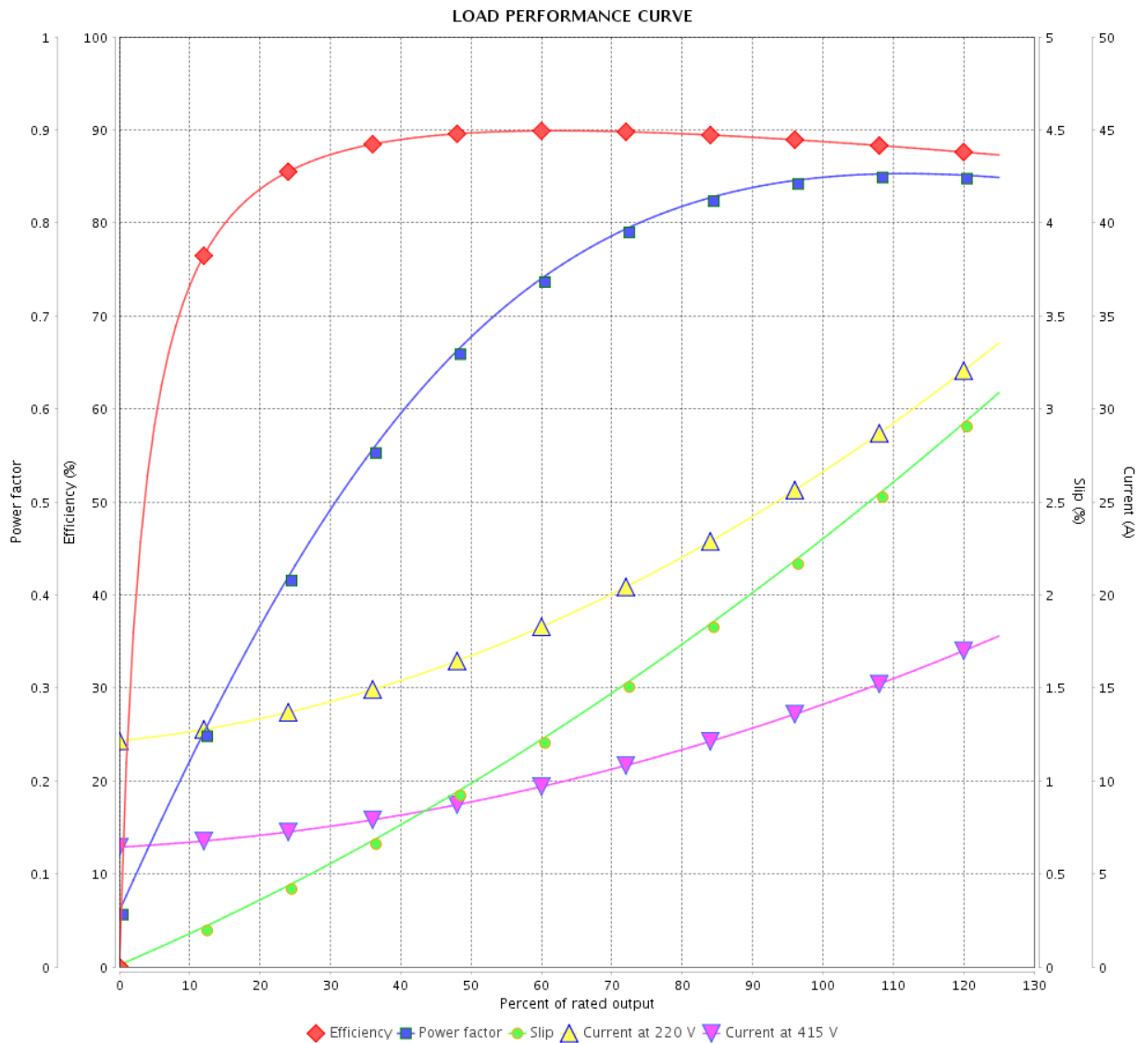


Customer : \_\_\_\_\_

Product line : NEMA Premium Efficiency Three-Phase

Product code : 12630272

Catalog # : 01018OT3E215T-S



Performance : 220/415 V 50 Hz 4P

Rated current : 27.2/14.4 A  
 LRC : 7.1  
 Rated torque : 35.8 ft.lb  
 Locked rotor torque : 220 %  
 Breakdown torque : 280 %  
 Rated speed : 1465 rpm

Moment of inertia (J) : 1.30 sq.ft.lb  
 Duty cycle : Cont.(S1)  
 Insulation class : F  
 Service factor : 1.15  
 Temperature rise : 80 K  
 Design : B

Rev.	Changes Summary	Performed	Checked	Date
Performed by		Page		Revision
Checked by		7 / 16		
Date		12/04/2022		

# THERMAL LIMIT CURVE



## Three Phase Induction Motor - Squirrel Cage

Customer :

Product line : NEMA Premium Efficiency Three-Phase  
 Product code : 12630272  
 Catalog # : 01018OT3E215T-S

Performance : 230/460 V 60 Hz 4P

Rated current : 24.8/12.4 A	Moment of inertia (J) : 1.30 sq.ft.lb
LRC : 7.0	Duty cycle : Cont.(S1)
Rated torque : 29.7 ft.lb	Insulation class : F
Locked rotor torque : 250 %	Service factor : 1.15
Breakdown torque : 350 %	Temperature rise : 80 K
Rated speed : 1770 rpm	Design : B

Heating constant

Cooling constant

Rev.	Changes Summary	Performed	Checked	Date
Performed by			Page	Revision
Checked by				
Date	12/04/2022			

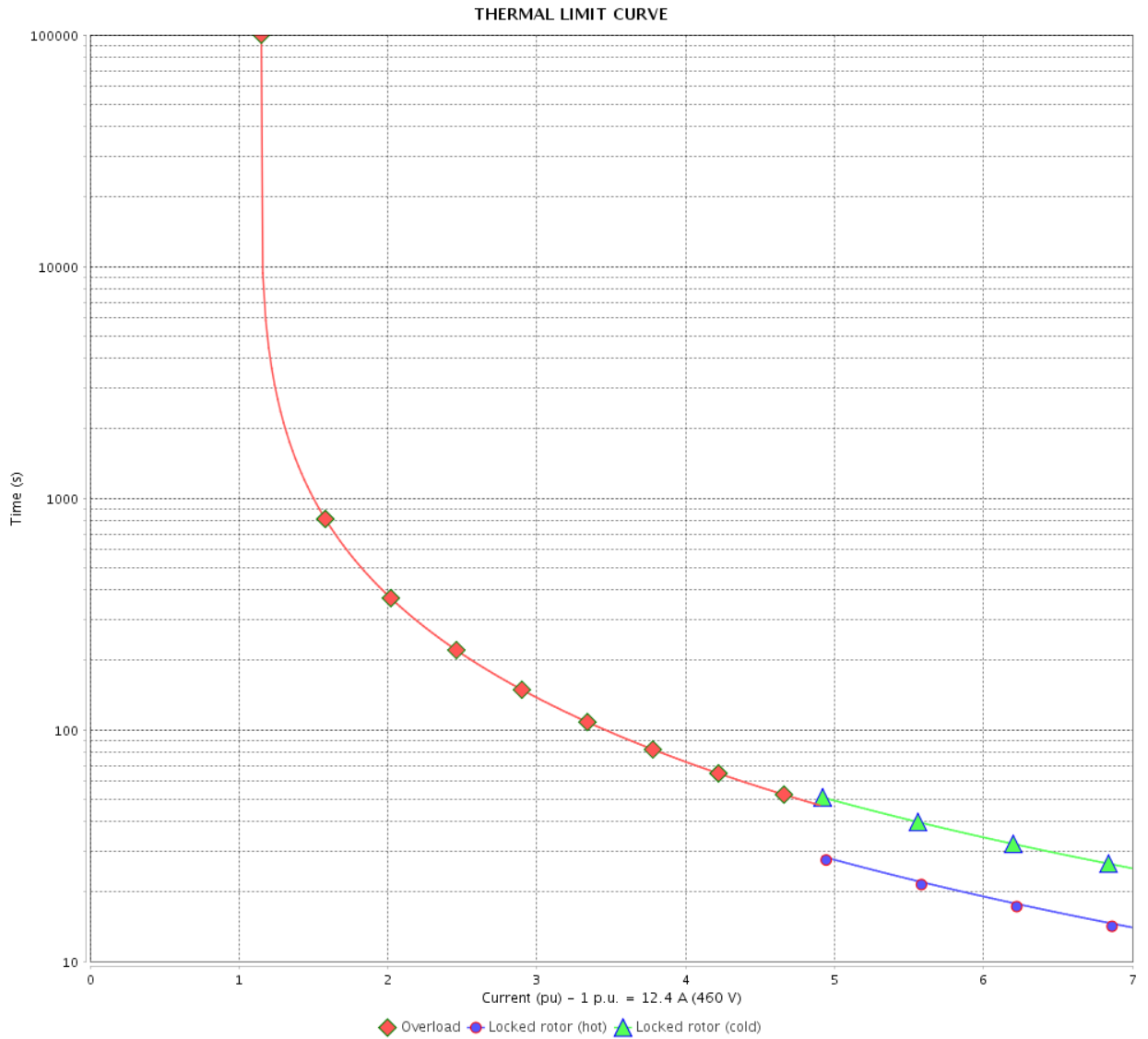


# THERMAL LIMIT CURVE

Three Phase Induction Motor - Squirrel Cage



Customer : \_\_\_\_\_



Rev.	Changes Summary	Performed	Checked	Date
Performed by		Page 9 / 16		Revision
Checked by				
Date				

# THERMAL LIMIT CURVE



## Three Phase Induction Motor - Squirrel Cage

Customer :

Product line : NEMA Premium Efficiency Three-Phase  
 Product code : 12630272  
 Catalog # : 01018OT3E215T-S

Performance : 190/380 V 50 Hz 4P

Rated current : 29.8/14.9 A	Moment of inertia (J) : 1.30 sq.ft.lb
LRC : 6.4	Duty cycle : Cont.(S1)
Rated torque : 36.0 ft.lb	Insulation class : F
Locked rotor torque : 200 %	Service factor : 1.15
Breakdown torque : 250 %	Temperature rise : 80 K
Rated speed : 1460 rpm	Design : B

Heating constant

Cooling constant

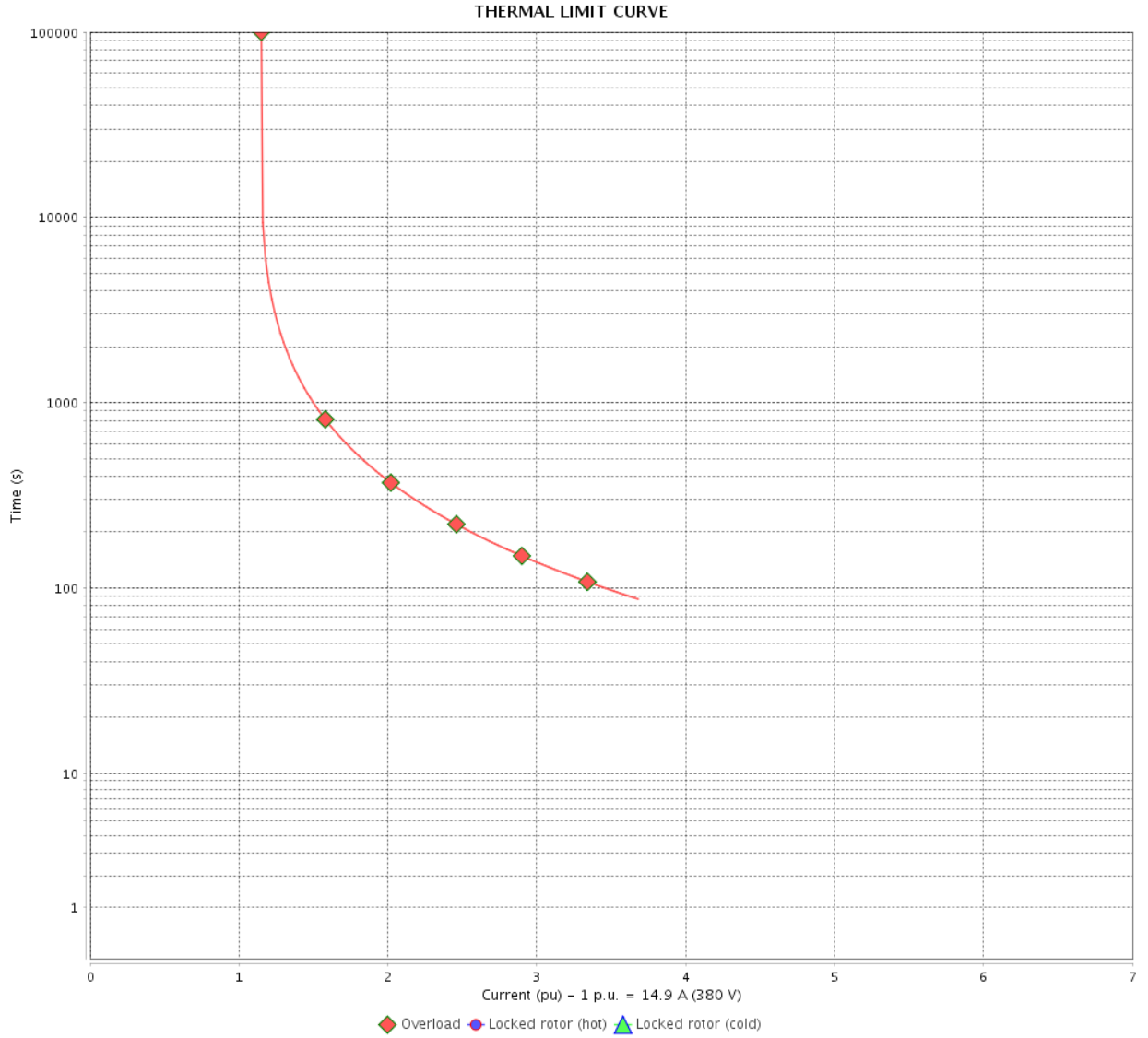
Rev.	Changes Summary	Performed	Checked	Date
Performed by			Page 10 / 16	Revision
Checked by				
Date	12/04/2022			

# THERMAL LIMIT CURVE

Three Phase Induction Motor - Squirrel Cage



Customer : \_\_\_\_\_



Rev.	Changes Summary	Performed	Checked	Date
Performed by		Page		Revision
Checked by		11 / 16		
Date		12/04/2022		

# THERMAL LIMIT CURVE



## Three Phase Induction Motor - Squirrel Cage

Customer :

Product line : NEMA Premium Efficiency Three-Phase  
Product code : 12630272  
Catalog # : 01018OT3E215T-S

Performance : 220/415 V 50 Hz 4P

Rated current	: 27.2/14.4 A	Moment of inertia (J)	: 1.30 sq.ft.lb
LRC	: 7.1	Duty cycle	: Cont.(S1)
Rated torque	: 35.8 ft.lb	Insulation class	: F
Locked rotor torque	: 220 %	Service factor	: 1.15
Breakdown torque	: 280 %	Temperature rise	: 80 K
Rated speed	: 1465 rpm	Design	: B

Heating constant

Cooling constant

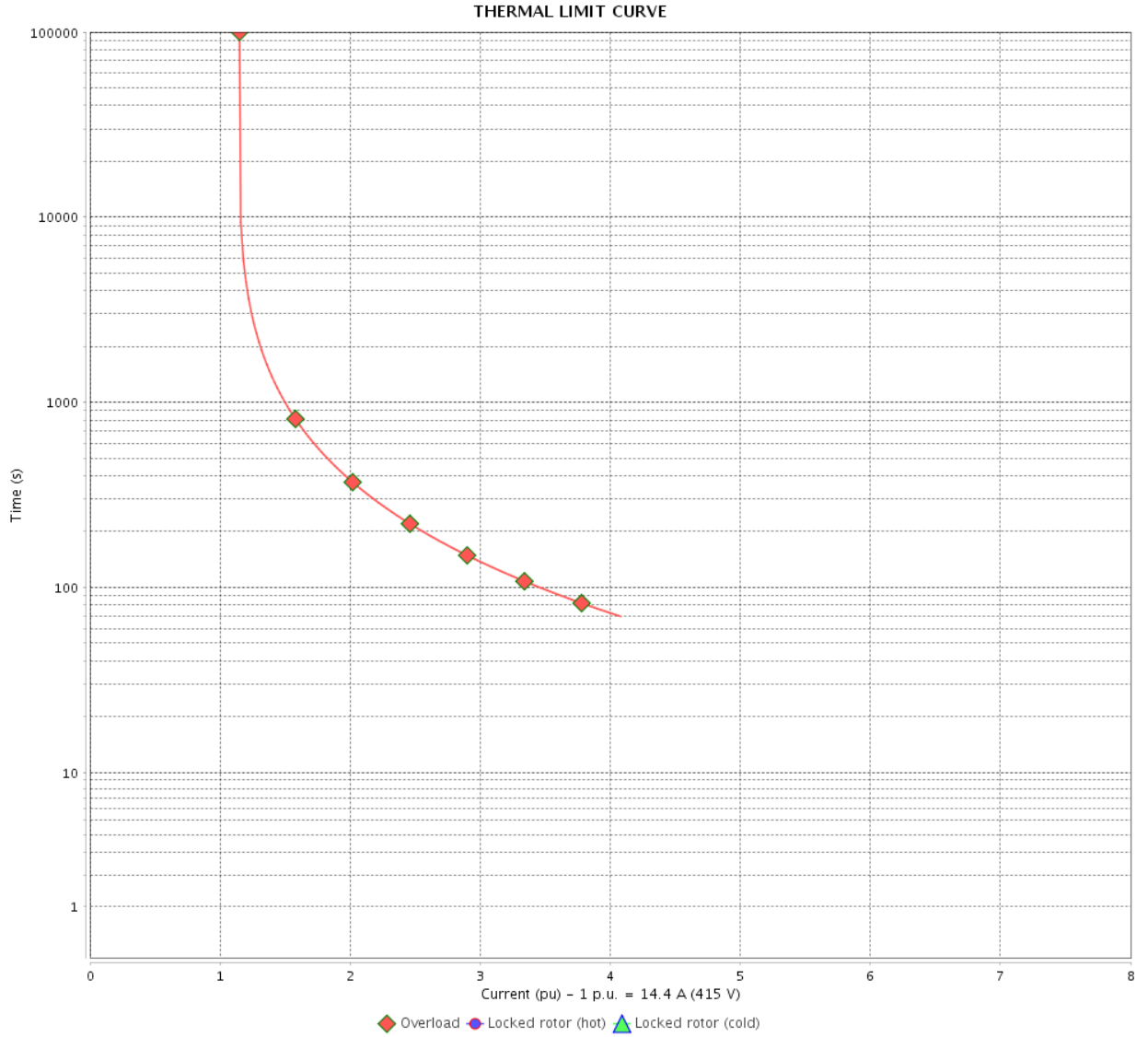
Rev.	Changes Summary	Performed	Checked	Date
Performed by				
Checked by			Page	Revision
Date	12/04/2022		12 / 16	

# THERMAL LIMIT CURVE

Three Phase Induction Motor - Squirrel Cage



Customer : \_\_\_\_\_



Rev.	Changes Summary	Performed	Checked	Date
Performed by		Page		Revision
Checked by		13 / 16		
Date		12/04/2022		

# VFD OPERATION CURVE

Three Phase Induction Motor - Squirrel Cage

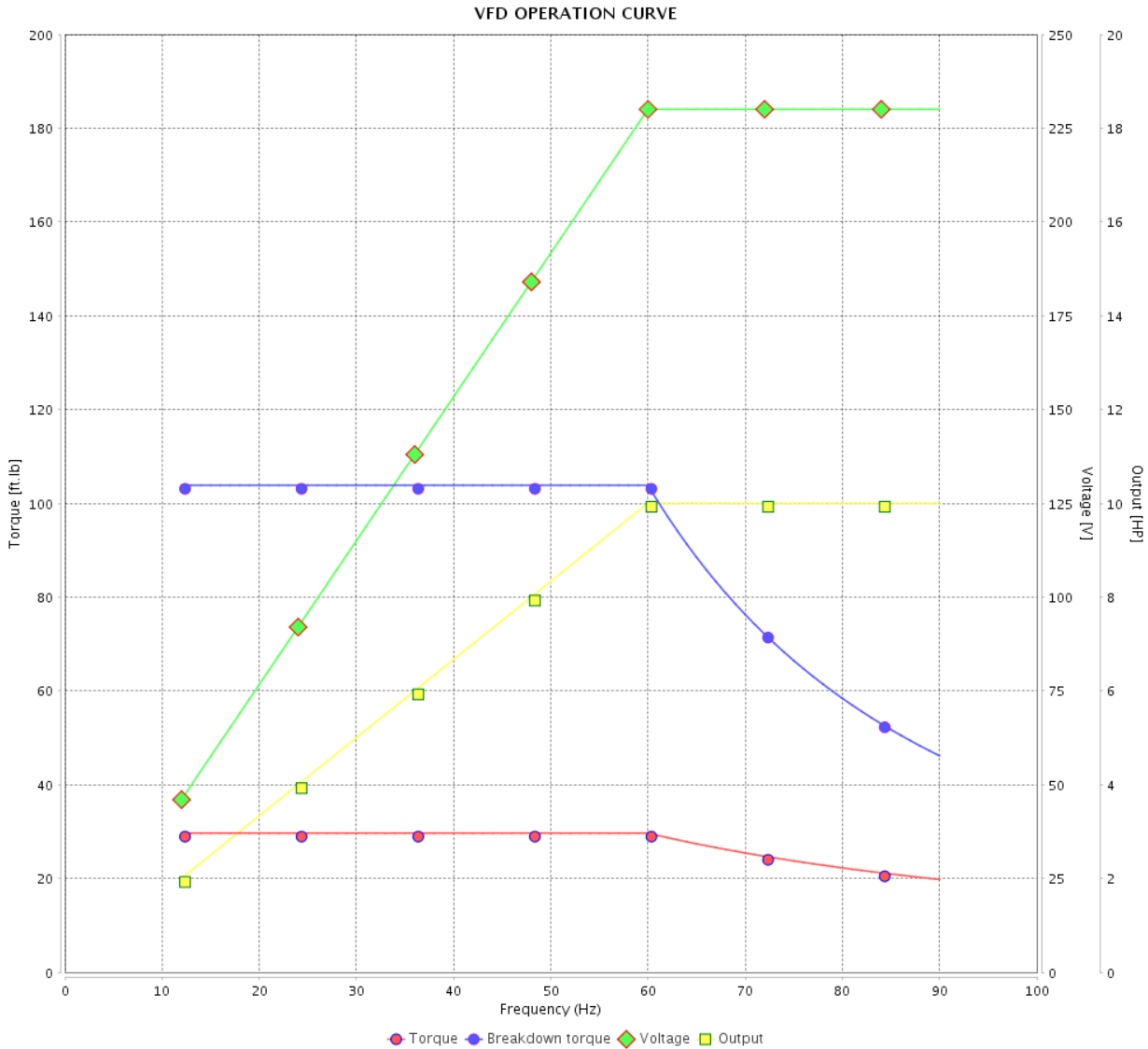


Customer :

Product line : NEMA Premium Efficiency Three-Phase

Product code : 12630272

Catalog # : 01018OT3E215T-S



Performance : 230/460 V 60 Hz 4P

Rated current : 24.8/12.4 A  
 LRC : 7.0  
 Rated torque : 29.7 ft.lb  
 Locked rotor torque : 250 %  
 Breakdown torque : 350 %  
 Rated speed : 1770 rpm

Moment of inertia (J) : 1.30 sq.ft.lb  
 Duty cycle : Cont.(S1)  
 Insulation class : F  
 Service factor : 1.15  
 Temperature rise : 80 K  
 Design : B

Rev.	Changes Summary	Performed	Checked	Date
Performed by			Page	Revision
Checked by				
Date				

# VFD OPERATION CURVE

## Three Phase Induction Motor - Squirrel Cage

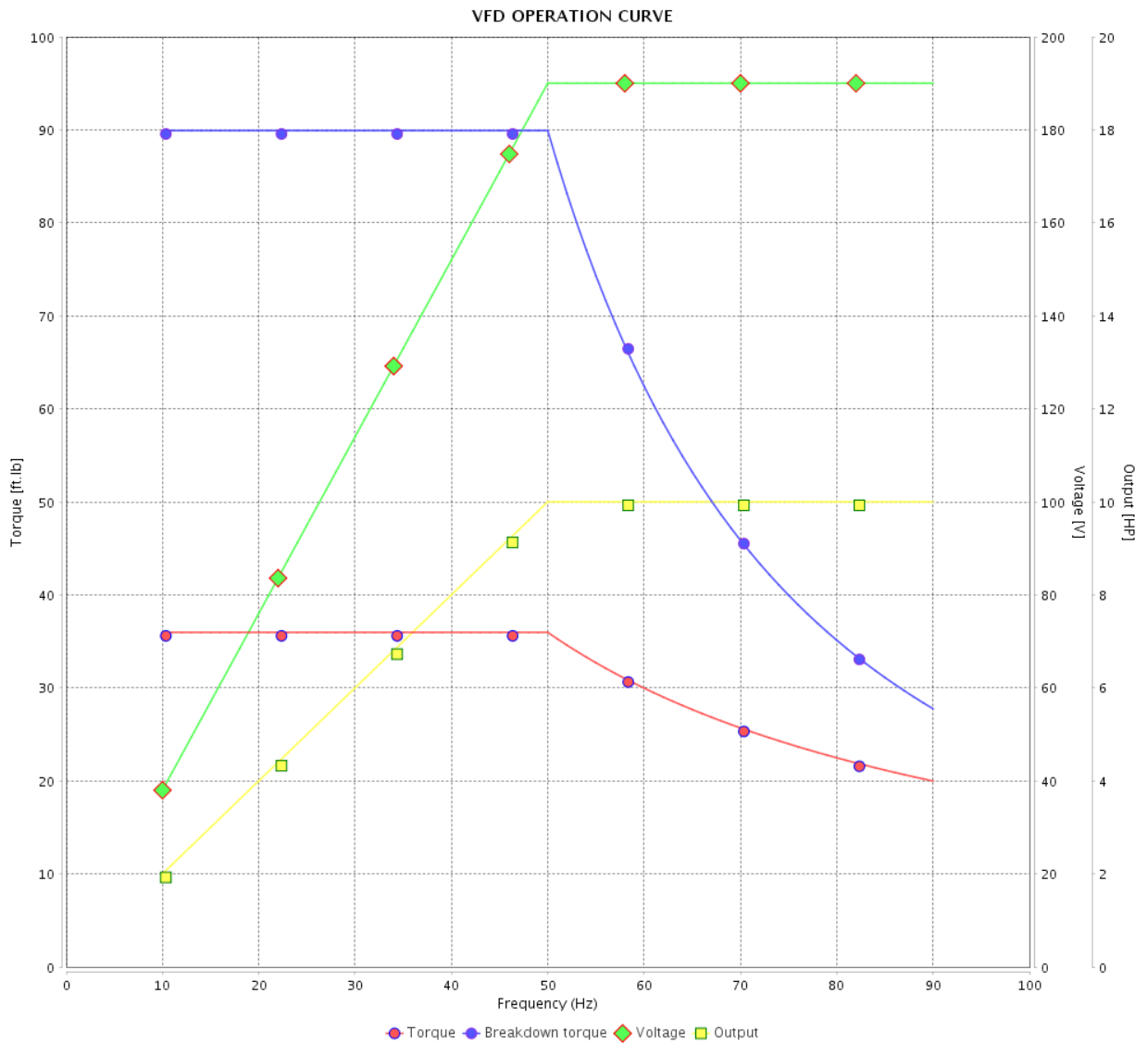


Customer :

Product line : NEMA Premium Efficiency Three-Phase

Product code : 12630272

Catalog # : 01018OT3E215T-S



Performance : 190/380 V 50 Hz 4P

Rated current : 29.8/14.9 A  
 LRC : 6.4  
 Rated torque : 36.0 ft.lb  
 Locked rotor torque : 200 %  
 Breakdown torque : 250 %  
 Rated speed : 1460 rpm

Moment of inertia (J) : 1.30 sq.ft.lb  
 Duty cycle : Cont.(S1)  
 Insulation class : F  
 Service factor : 1.15  
 Temperature rise : 80 K  
 Design : B

Rev.	Changes Summary	Performed	Checked	Date
Performed by				Page 15 / 16
Checked by				
Date	12/04/2022			
				Revision

# VFD OPERATION CURVE

Three Phase Induction Motor - Squirrel Cage



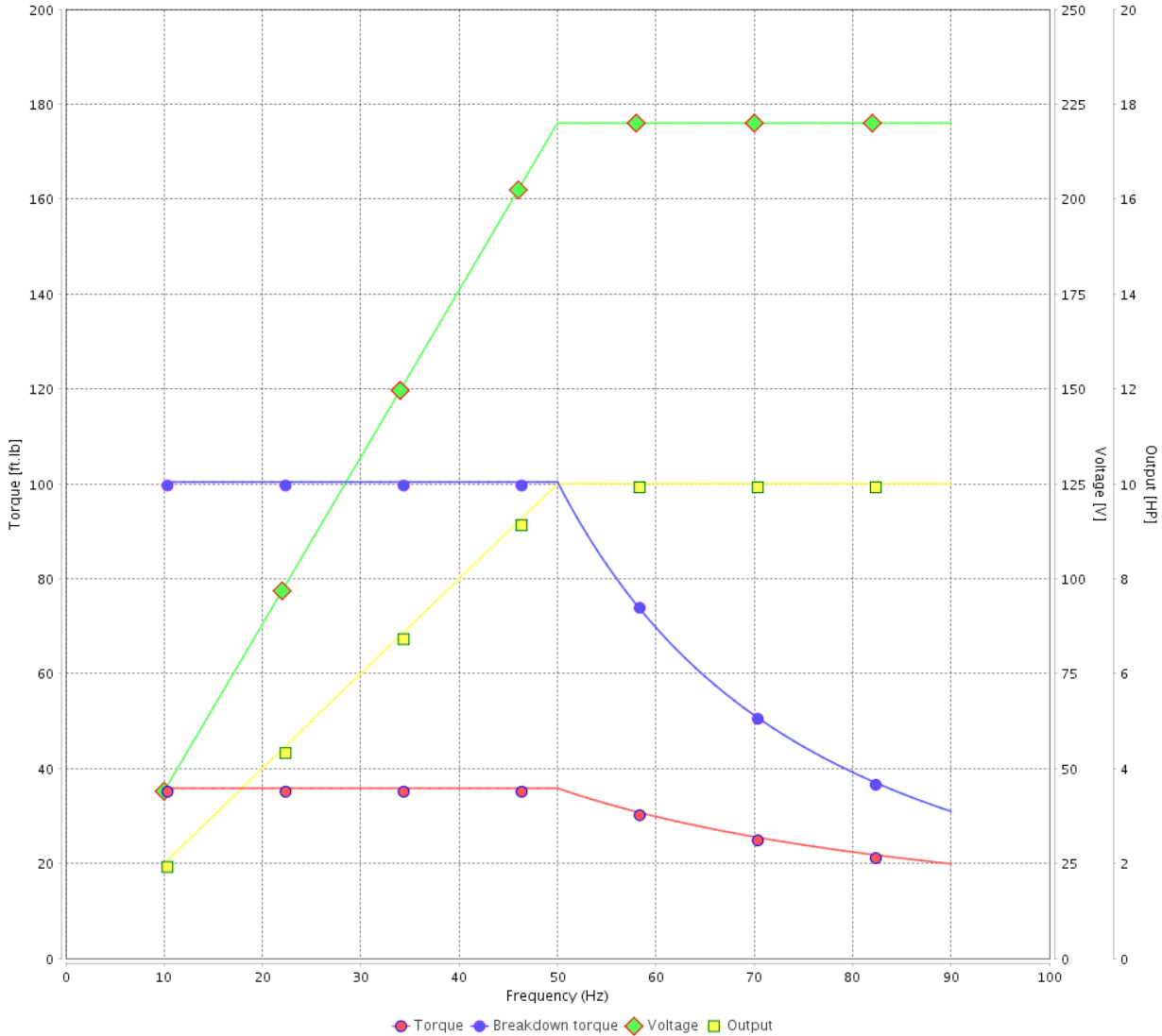
Customer : \_\_\_\_\_

Product line : NEMA Premium Efficiency Three-Phase

Product code : 12630272

Catalog # : 01018OT3E215T-S

VFD OPERATION CURVE



Performance : 220/415 V 50 Hz 4P

Rated current : 27.2/14.4 A  
 LRC : 7.1  
 Rated torque : 35.8 ft.lb  
 Locked rotor torque : 220 %  
 Breakdown torque : 280 %  
 Rated speed : 1465 rpm

Moment of inertia (J) : 1.30 sq.ft.lb  
 Duty cycle : Cont.(S1)  
 Insulation class : F  
 Service factor : 1.15  
 Temperature rise : 80 K  
 Design : B

Rev.	Changes Summary	Performed	Checked	Date
Performed by			Page 16 / 16	Revision
Checked by				
Date	12/04/2022			



1 2 3 4 5 6

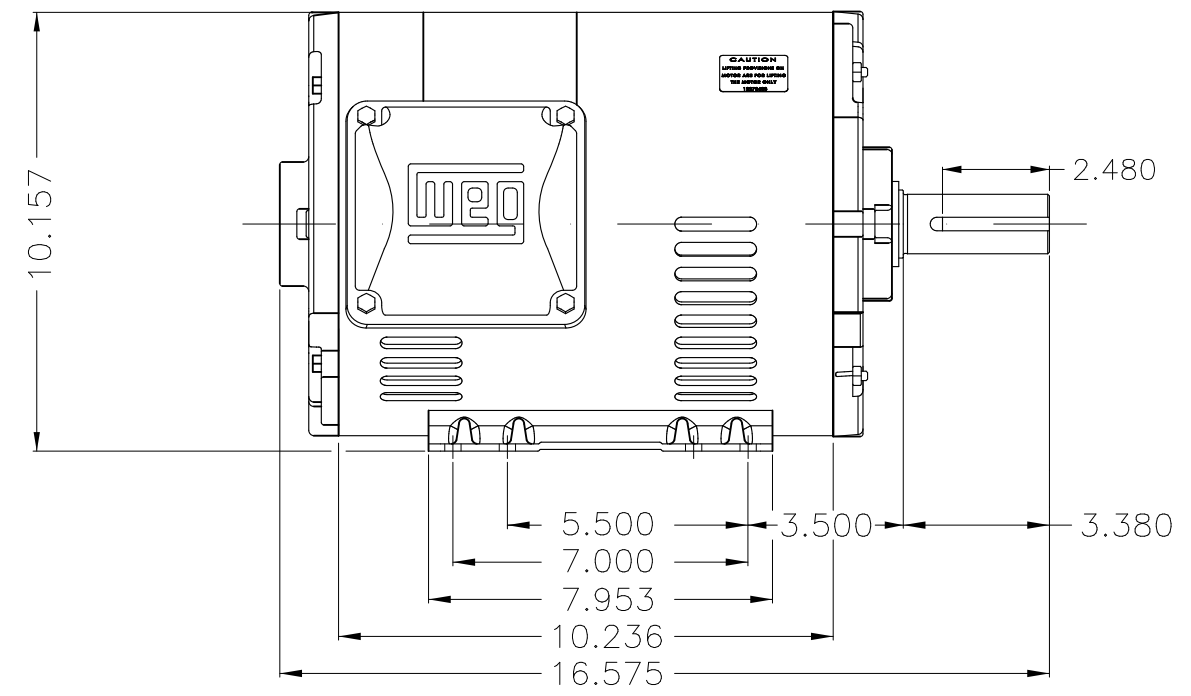
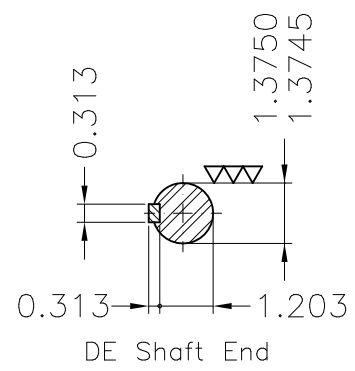
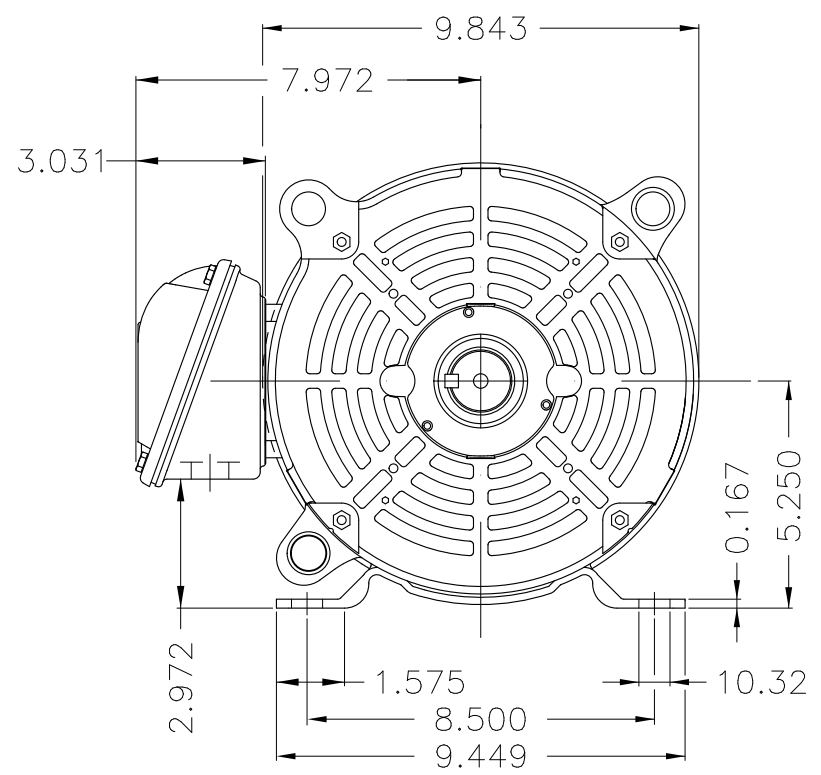
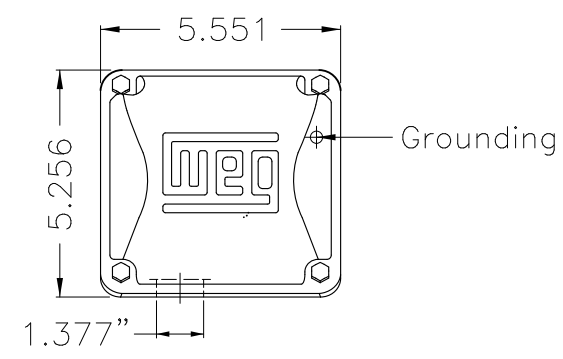
A

B

C

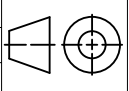
D

E



Dimensions in inches

Color Munsell N 1 matte black  
 Painting plan 207N  
 Mounting F-1/B3R(D)

ECM	LOC	SUMMARY OF MODIFICATIONS	EXECUTED	CHECKED	RELEASED	DATE	VER
EXECUTED	PIRWBUSER	 THREE PH. MOTOR ROLLED STEEL PREM. EFF. FRAME 213/5T IP21 ODP					
CHECKED							
RELEASED							
REL DT.	WMO	Jaragua do Sul	Product Engineering	SHEET		1 / 1	

**PREVIEW**  
WDD



10 HP 04 Poles 60 Hz

A

XME A3



**NEMA**  
**Premium**



MADE IN MEXICO

**MAT: 12630272 CC029A**  
**W01.T00IC0X0N**  
**MODEL 010180T3E215T-S**  
**18APR2022 S/N:**

<b>PH 3</b>	<b>Hz 60</b>	<b>HP 10</b>
<b>FR 213/5T</b>		<b>KW 7.5</b>
<b>DUTY CONT.</b>		<b>V 230/460</b>
<b>ALT 1000 m.a.s.l.</b>		<b>A 24.8/12.4</b>
<b>INS CL F AT 80K</b>		<b>SFA 28.5/14.3</b>
<b>AMB 40°C</b>	<b>DES B</b>	<b>SF 1.15</b>
<b>ENCL ODP</b>	<b>CODE H</b>	<b>PF 0.83</b>
<b>USABLE @ 208V 27.4A</b>		<b>RPM 1770</b>
<b>SF1.00</b>		<b>NEMA NOM. EFF 91.7%</b>

**ALTERNATE RATING: 10HP 50Hz 190-220/380-415V SF1.15**  
**29.8-28.4/14.9-14.0A 1460RPM EFF 88.1% (IE1) IEC 60034-1**

**Inverter duty motor For 80Hz use on VPWM 1000:1 VT, 5:1 CT**

**DE 6208-ZZ ODE 6206-ZZ MOBIL POLYREX EM**



**T1-BLU T2-WHT**  
**T3-ORG T4-YEL**  
**T5-BLK T6-GRY**  
**T7-PNK T8-RED**  
**T9-BRK RED**

**INTERCHANGE ANY TWO LINE WIRES TO REVERSE THE ROTATION**

**WARNING: Motor must be grounded in accordance with local and national electrical codes to prevent serious electrical shocks. Disconnect power source before servicing unit.**



**AVERTISSEMENT: Le moteur doit être mis à la terre conformément aux codes électriques locaux et nationaux afin d'éviter tout choc électrique grave. Déconnectez l'alimentation avant l'entretien de la machine.**

