

# DATA SHEET



## Three Phase Induction Motor - Squirrel Cage

Customer :																			
Product line : JM Pump NEMA Premium Efficiency Three-Phase	Product code : 14327903																		
	Catalog # : 01018OT3H215JM-SG																		
Frame : 213/5JM Output : 10 HP (7.5 kW) Poles : 4 Frequency : 60 Hz Rated voltage : 575 V Rated current : 9.92 A L. R. Amperes : 69.4 A LRC : 7.0x(Code H) No load current : 4.79 A Rated speed : 1770 rpm Slip : 1.67 % Rated torque : 29.7 ft.lb Locked rotor torque : 250 % Breakdown torque : 350 % Insulation class : F Service factor : 1.15 Moment of inertia (J) : 1.30 sq.ft.lb Design : B	Locked rotor time : 25s (cold) 14s (hot) Temperature rise : 80 K Duty cycle : Cont.(S1) Ambient temperature : -20°C to +40°C Altitude : 1000 m.a.s.l. Cooling method : IC01 - ODP Mounting : F-1 Rotation <sup>1</sup> : Both (CW and CCW) Noise level <sup>2</sup> : 59.0 dB(A) Starting method : Direct On Line Approx. weight <sup>3</sup> : 137 lb																		
<table border="1" style="width:100%; border-collapse: collapse;"> <tr> <td>Output</td> <td>25%</td> <td>50%</td> <td>75%</td> <td>100%</td> </tr> <tr> <td>Efficiency (%)</td> <td>89.4</td> <td>90.2</td> <td>91.0</td> <td>91.7</td> </tr> <tr> <td>Power Factor</td> <td>0.38</td> <td>0.64</td> <td>0.77</td> <td>0.83</td> </tr> </table>	Output	25%	50%	75%	100%	Efficiency (%)	89.4	90.2	91.0	91.7	Power Factor	0.38	0.64	0.77	0.83	Foundation loads Max. traction : 517 lb Max. compression : 654 lb			
Output	25%	50%	75%	100%															
Efficiency (%)	89.4	90.2	91.0	91.7															
Power Factor	0.38	0.64	0.77	0.83															
<table border="1" style="width:100%; border-collapse: collapse;"> <tr> <td></td> <td style="text-align:center"><u>Drive end</u></td> <td style="text-align:center"><u>Non drive end</u></td> </tr> <tr> <td>Bearing type :</td> <td style="text-align:center">6209 ZZ</td> <td style="text-align:center">6206 ZZ</td> </tr> <tr> <td>Sealing :</td> <td style="text-align:center">Without Bearing Seal</td> <td style="text-align:center">Without Bearing Seal</td> </tr> <tr> <td>Lubrication interval :</td> <td style="text-align:center">-</td> <td style="text-align:center">-</td> </tr> <tr> <td>Lubricant amount :</td> <td style="text-align:center">-</td> <td style="text-align:center">-</td> </tr> <tr> <td>Lubricant type :</td> <td colspan="2" style="text-align:center">Mobil Polyrex EM</td> </tr> </table>			<u>Drive end</u>	<u>Non drive end</u>	Bearing type :	6209 ZZ	6206 ZZ	Sealing :	Without Bearing Seal	Without Bearing Seal	Lubrication interval :	-	-	Lubricant amount :	-	-	Lubricant type :	Mobil Polyrex EM	
	<u>Drive end</u>	<u>Non drive end</u>																	
Bearing type :	6209 ZZ	6206 ZZ																	
Sealing :	Without Bearing Seal	Without Bearing Seal																	
Lubrication interval :	-	-																	
Lubricant amount :	-	-																	
Lubricant type :	Mobil Polyrex EM																		
Notes																			
This revision replaces and cancel the previous one, which must be eliminated. (1) Looking the motor from the shaft end. (2) Measured at 1m and with tolerance of +3dB(A). (3) Approximate weight subject to changes after manufacturing process. (4) At 100% of full load.																			
These are average values based on tests with sinusoidal power supply, subject to the tolerances stipulated in NEMA MG-1.																			
Rev.	Changes Summary	Performed	Checked	Date															
Performed by																			
Checked by			Page	Revision															
Date	12/04/2022		1 / 6																

# TORQUE AND CURRENT VS SPEED CURVE

Three Phase Induction Motor - Squirrel Cage



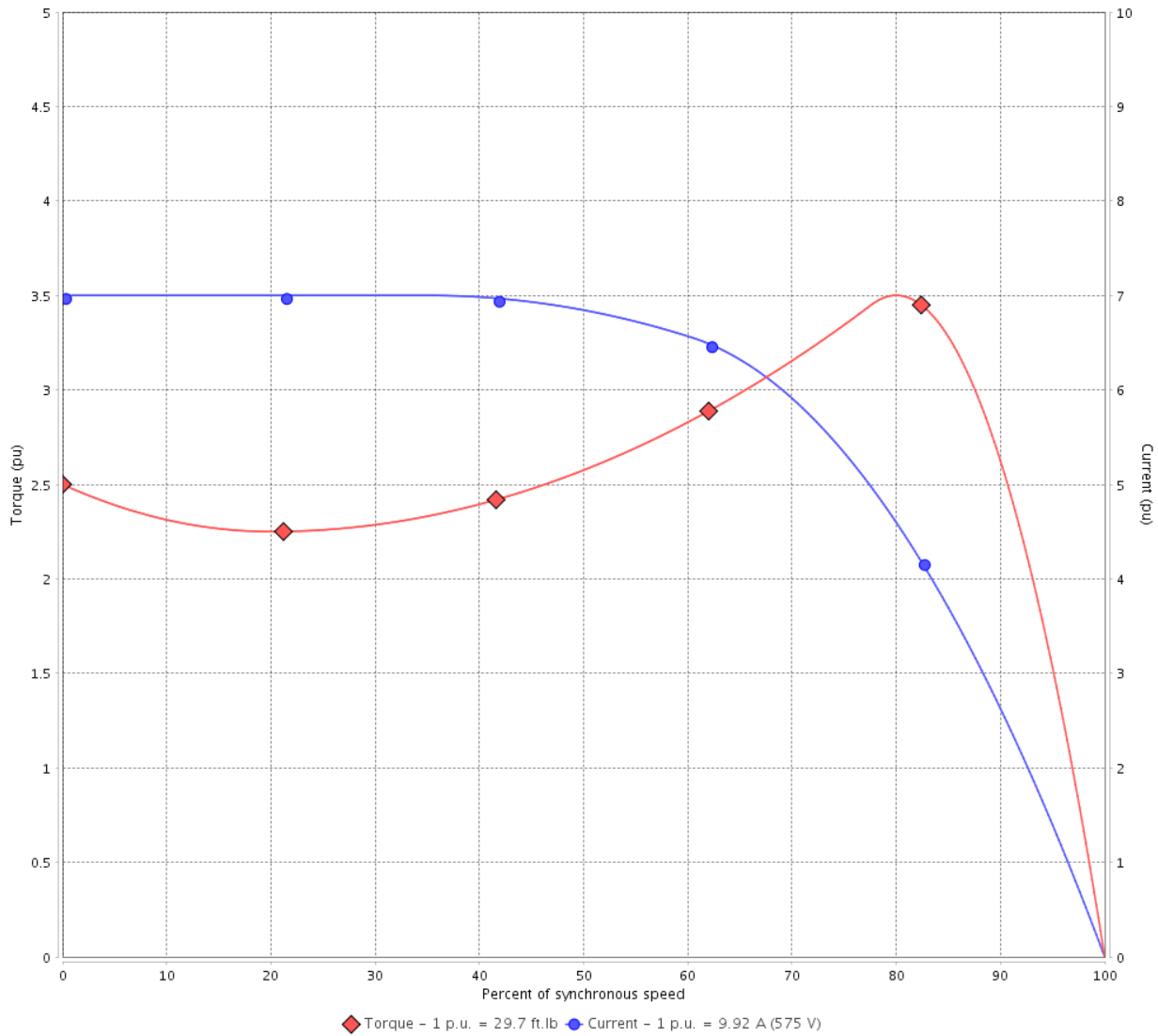
Customer :

Product line : JM Pump NEMA Premium  
Efficiency Three-Phase

Product code : 14327903

Catalog # : 01018OT3H215JM-SG

TORQUE AND CURRENT VS SPEED CURVE



Performance : 575 V 60 Hz 4P

Rated current	: 9.92 A	Moment of inertia (J)	: 1.30 sq.ft.lb
LRC	: 7.0	Duty cycle	: Cont.(S1)
Rated torque	: 29.7 ft.lb	Insulation class	: F
Locked rotor torque	: 250 %	Service factor	: 1.15
Breakdown torque	: 350 %	Temperature rise	: 80 K
Rated speed	: 1770 rpm	Design	: B

Locked rotor time : 25s (cold) 14s (hot)

Rev.	Changes Summary	Performed	Checked	Date
Performed by		Page		Revision
Checked by		2 / 6		
Date	12/04/2022			

# LOAD PERFORMANCE CURVE

## Three Phase Induction Motor - Squirrel Cage

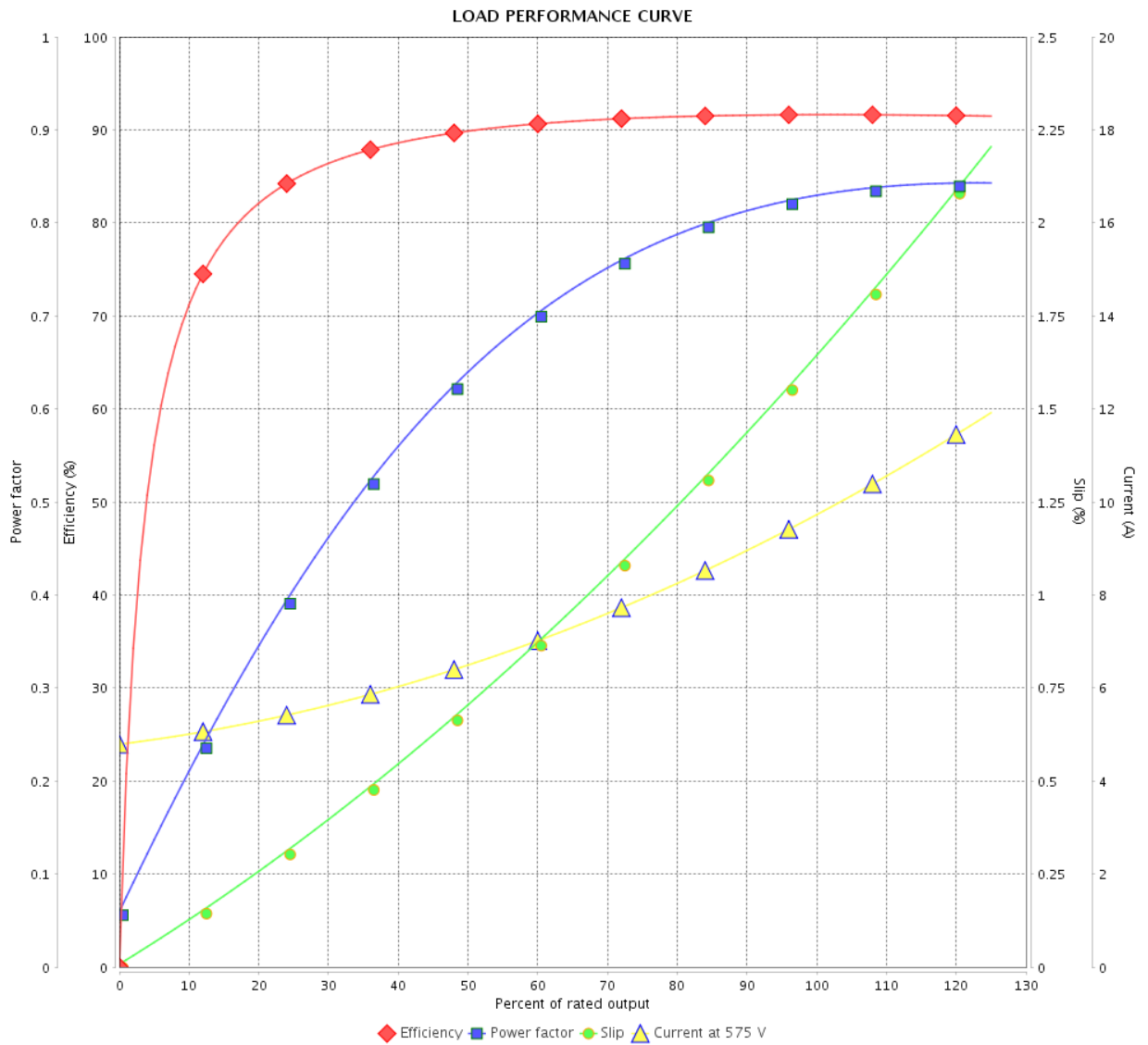


Customer : \_\_\_\_\_

Product line : JM Pump NEMA Premium Efficiency Three-Phase

Product code : 14327903

Catalog # : 01018OT3H215JM-SG



Performance : 575 V 60 Hz 4P

Rated current : 9.92 A  
 LRC : 7.0  
 Rated torque : 29.7 ft.lb  
 Locked rotor torque : 250 %  
 Breakdown torque : 350 %  
 Rated speed : 1770 rpm

Moment of inertia (J) : 1.30 sq.ft.lb  
 Duty cycle : Cont.(S1)  
 Insulation class : F  
 Service factor : 1.15  
 Temperature rise : 80 K  
 Design : B

Rev.	Changes Summary	Performed	Checked	Date
Performed by		Page		Revision
Checked by		3 / 6		
Date	12/04/2022			

# THERMAL LIMIT CURVE



## Three Phase Induction Motor - Squirrel Cage

Customer :

Product line : JM Pump NEMA Premium  
Efficiency Three-Phase

Product code : 14327903

Catalog # : 01018OT3H215JM-SG

Performance : 575 V 60 Hz 4P

Rated current : 9.92 A  
LRC : 7.0  
Rated torque : 29.7 ft.lb  
Locked rotor torque : 250 %  
Breakdown torque : 350 %  
Rated speed : 1770 rpm

Moment of inertia (J) : 1.30 sq.ft.lb  
Duty cycle : Cont.(S1)  
Insulation class : F  
Service factor : 1.15  
Temperature rise : 80 K  
Design : B

Heating constant

Cooling constant

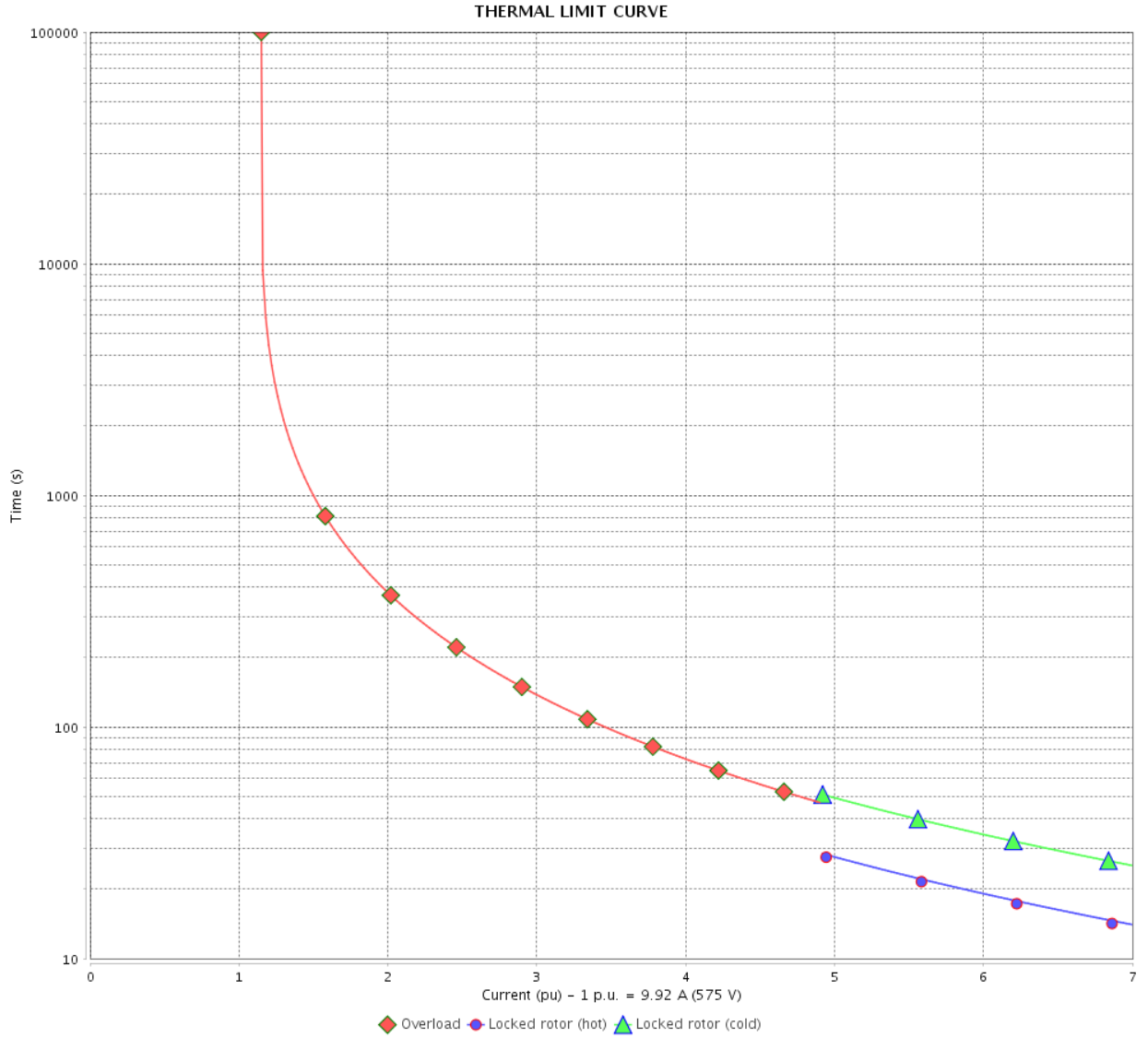
Rev.	Changes Summary	Performed	Checked	Date
Performed by				
Checked by			Page	Revision
Date	12/04/2022		4 / 6	

# THERMAL LIMIT CURVE

Three Phase Induction Motor - Squirrel Cage



Customer : \_\_\_\_\_



Rev.	Changes Summary	Performed	Checked	Date
Performed by		Page 5 / 6		Revision
Checked by				
Date				

# VFD OPERATION CURVE

Three Phase Induction Motor - Squirrel Cage



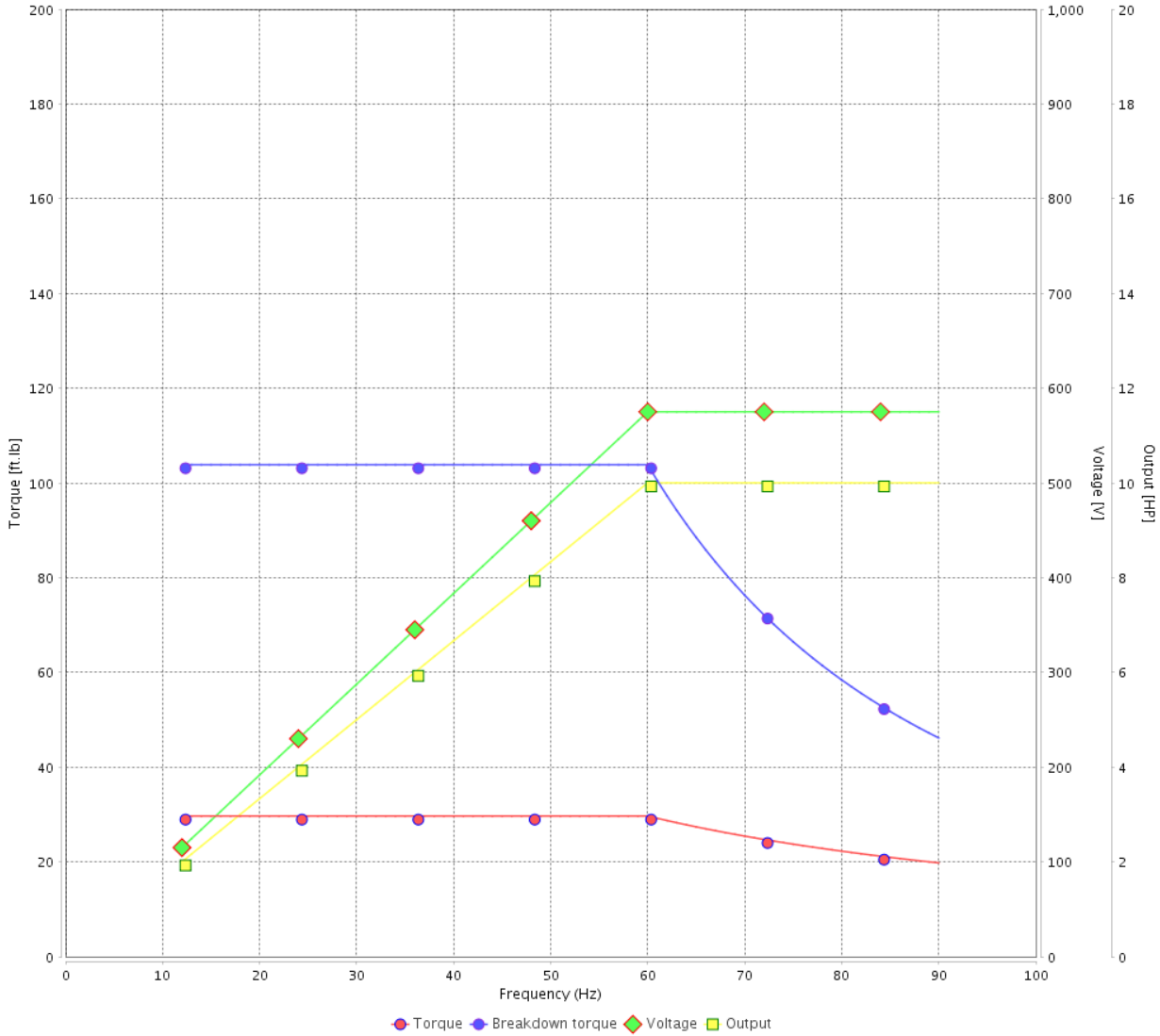
Customer :

Product line : JM Pump NEMA Premium Efficiency Three-Phase

Product code : 14327903

Catalog # : 01018OT3H215JM-SG

VFD OPERATION CURVE



Performance : 575 V 60 Hz 4P

Rated current : 9.92 A  
 LRC : 7.0  
 Rated torque : 29.7 ft.lb  
 Locked rotor torque : 250 %  
 Breakdown torque : 350 %  
 Rated speed : 1770 rpm

Moment of inertia (J) : 1.30 sq.ft.lb  
 Duty cycle : Cont.(S1)  
 Insulation class : F  
 Service factor : 1.15  
 Temperature rise : 80 K  
 Design : B

Rev.	Changes Summary	Performed	Checked	Date
Performed by			Page 6 / 6	Revision
Checked by				
Date	12/04/2022			

1 2 3 4 5 6

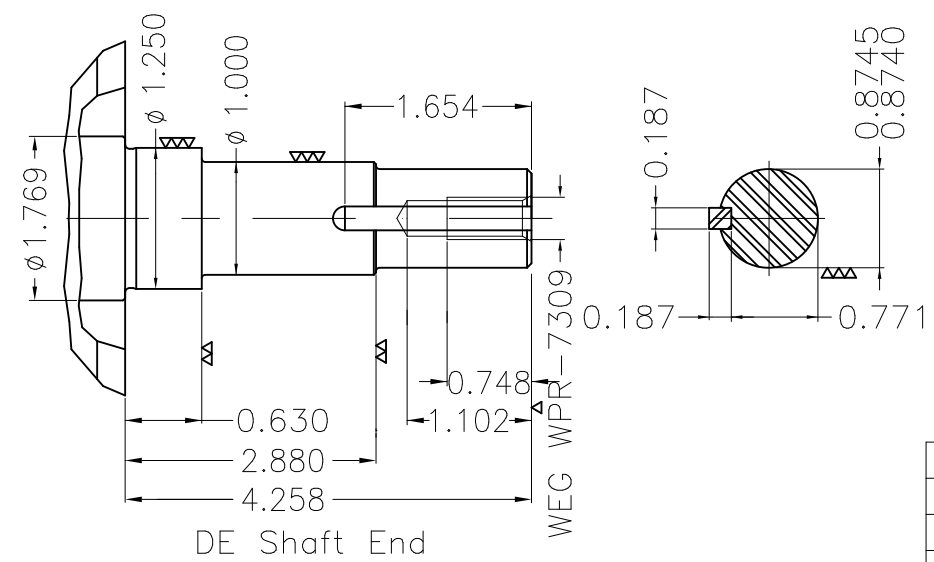
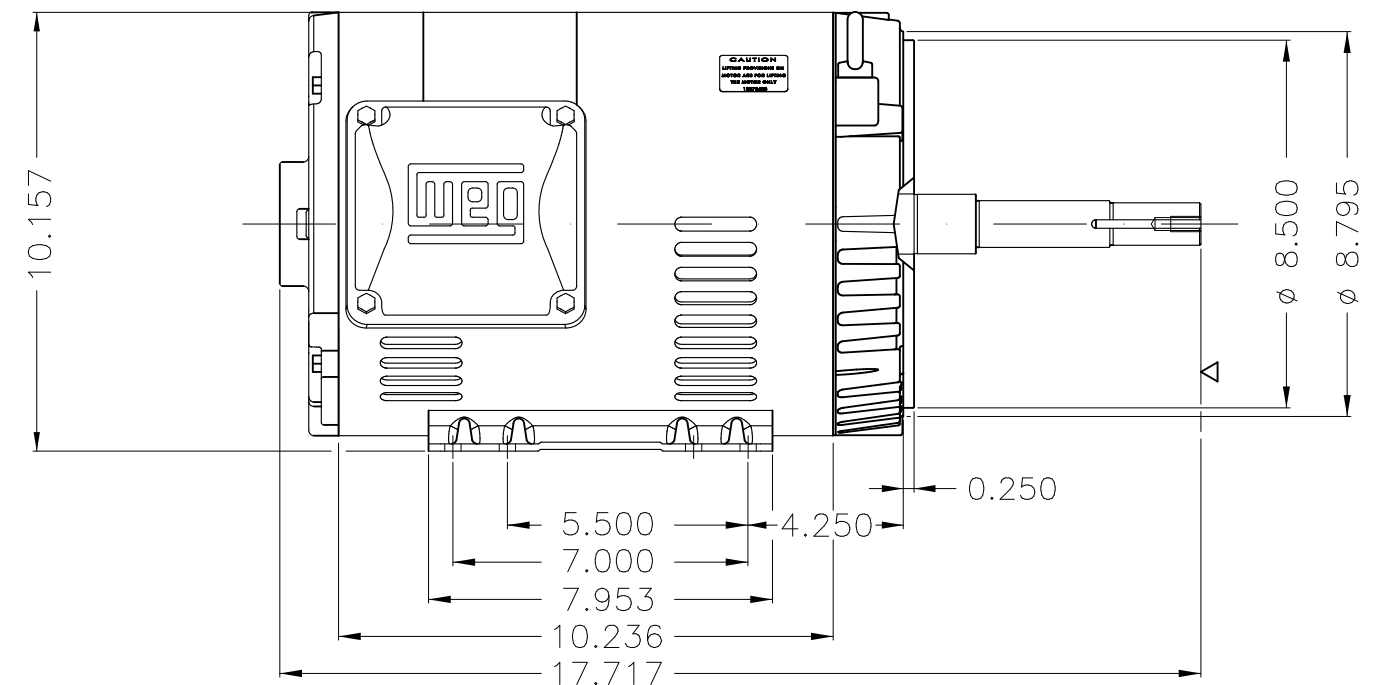
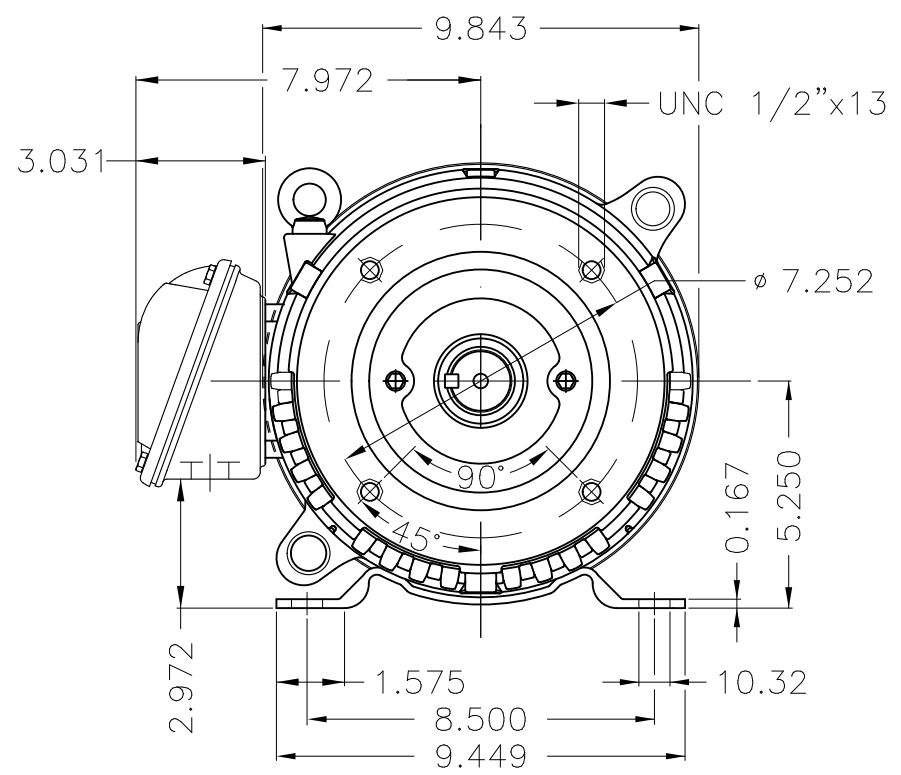
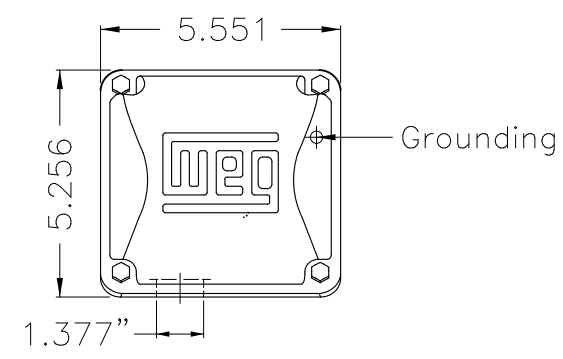
A

B

C

D

E



EUNC 3/8" - 16 WEG WPR-7309

DE Shaft End

Internal AEGIS ground ring on the DE  
 Color Munsell N 1 matte black  
 Painting plan 207N  
 Mounting F-1/B34R(D)

ECM	LOC	SUMMARY OF MODIFICATIONS	EXECUTED	CHECKED	RELEASED	DATE	VER
EXECUTED	PIRBUSER	THREE PH. MOTOR ROLLED STEEL CLOSE COUPLED PUMP JN TYPE PSE 1/2 HP					
CHECKED		FRAME 213/5JM IP21 ODP					
RELEASED							
REL DT.	WMO	Jaragua do Sul	Product Engineering	WDD	SHEET	1 / 1	

10 HP 04 Poles 60 Hz

