



# TORQUE AND CURRENT VS SPEED CURVE

## Three Phase Induction Motor - Squirrel Cage



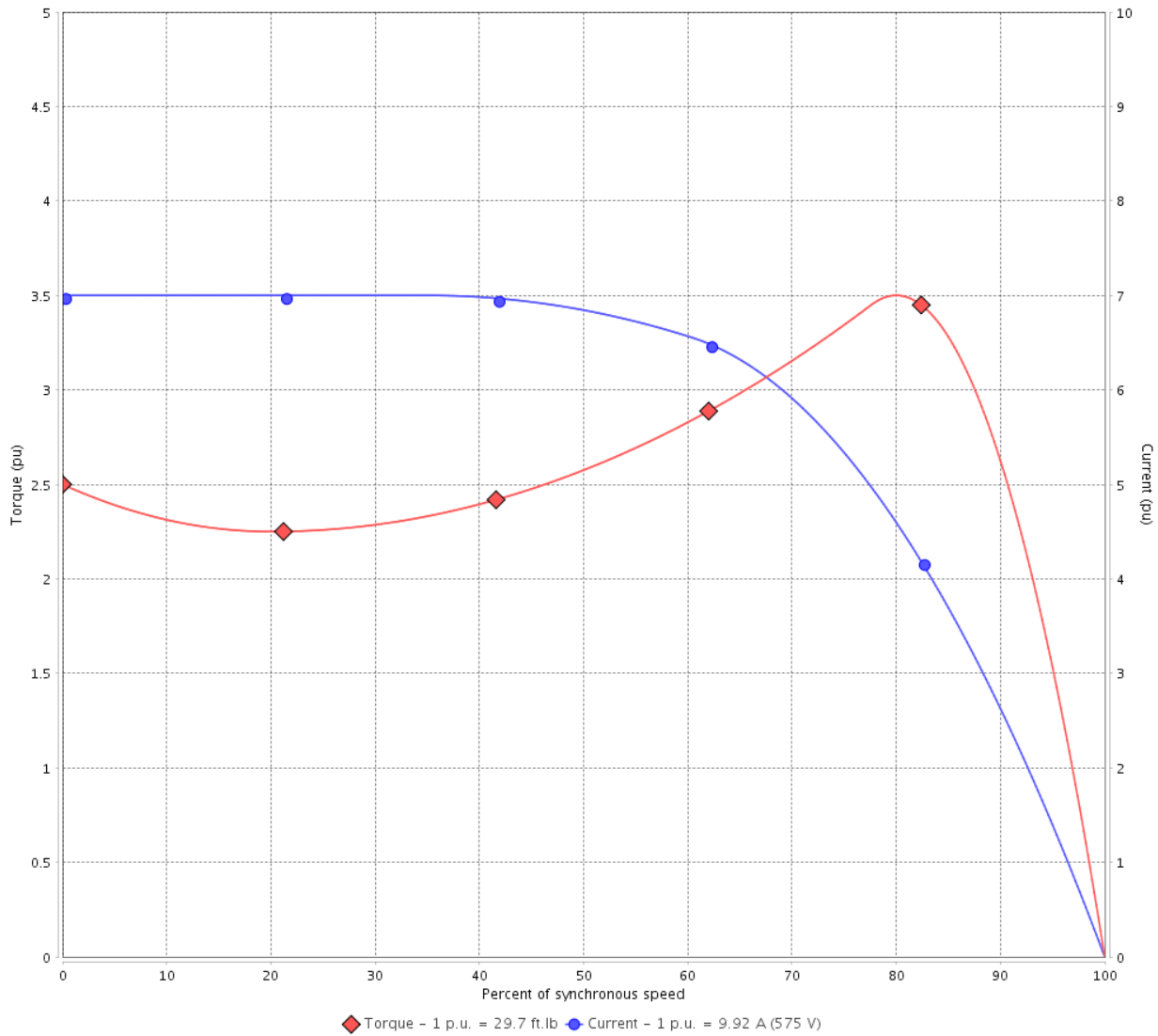
Customer :

Product line : JM Pump NEMA Premium  
Efficiency Three-Phase

Product code : 13289039

Catalog # : 01018OT3H215JMV-S

TORQUE AND CURRENT VS SPEED CURVE



Performance : 575 V 60 Hz 4P

Rated current	: 9.92 A	Moment of inertia (J)	: 1.30 sq.ft.lb
LRC	: 7.0	Duty cycle	: Cont.(S1)
Rated torque	: 29.7 ft.lb	Insulation class	: F
Locked rotor torque	: 250 %	Service factor	: 1.15
Breakdown torque	: 350 %	Temperature rise	: 80 K
Rated speed	: 1770 rpm	Design	: B

Locked rotor time : 25s (cold) 14s (hot)

Rev.	Changes Summary	Performed	Checked	Date
Performed by			Page 2 / 6	Revision
Checked by				
Date	12/04/2022			

# LOAD PERFORMANCE CURVE

Three Phase Induction Motor - Squirrel Cage

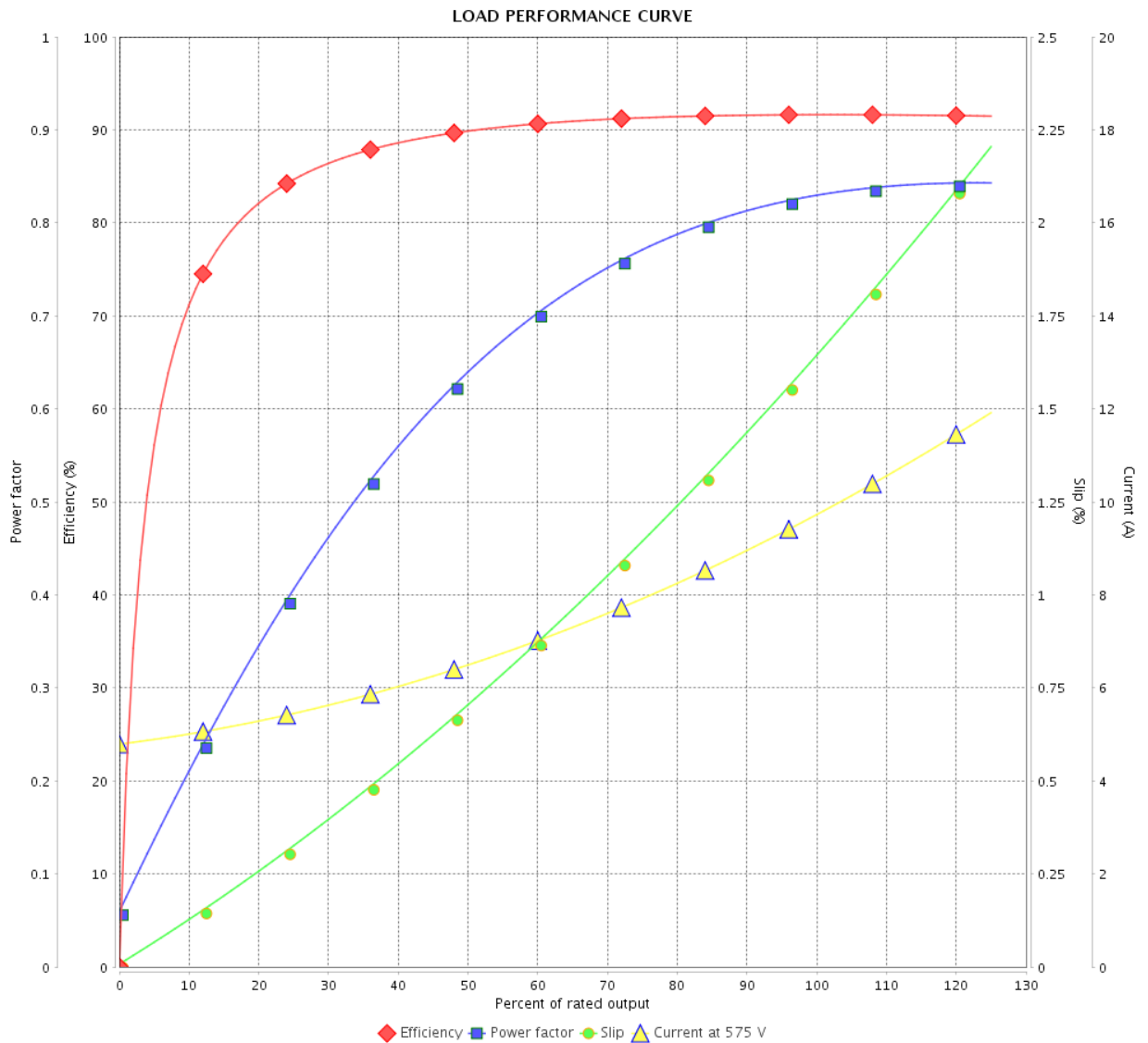


Customer : \_\_\_\_\_

Product line : JM Pump NEMA Premium Efficiency Three-Phase

Product code : 13289039

Catalog # : 01018OT3H215JMV-S



Performance : 575 V 60 Hz 4P

Rated current : 9.92 A  
 LRC : 7.0  
 Rated torque : 29.7 ft.lb  
 Locked rotor torque : 250 %  
 Breakdown torque : 350 %  
 Rated speed : 1770 rpm

Moment of inertia (J) : 1.30 sq.ft.lb  
 Duty cycle : Cont.(S1)  
 Insulation class : F  
 Service factor : 1.15  
 Temperature rise : 80 K  
 Design : B

Rev.	Changes Summary	Performed	Checked	Date
Performed by		Page		Revision
Checked by		3 / 6		
Date		12/04/2022		

# THERMAL LIMIT CURVE



## Three Phase Induction Motor - Squirrel Cage

Customer :

Product line : JM Pump NEMA Premium  
Efficiency Three-Phase

Product code : 13289039

Catalog # : 01018OT3H215JMV-S

Performance : 575 V 60 Hz 4P

Rated current : 9.92 A  
LRC : 7.0  
Rated torque : 29.7 ft.lb  
Locked rotor torque : 250 %  
Breakdown torque : 350 %  
Rated speed : 1770 rpm

Moment of inertia (J) : 1.30 sq.ft.lb  
Duty cycle : Cont.(S1)  
Insulation class : F  
Service factor : 1.15  
Temperature rise : 80 K  
Design : B

Heating constant

Cooling constant

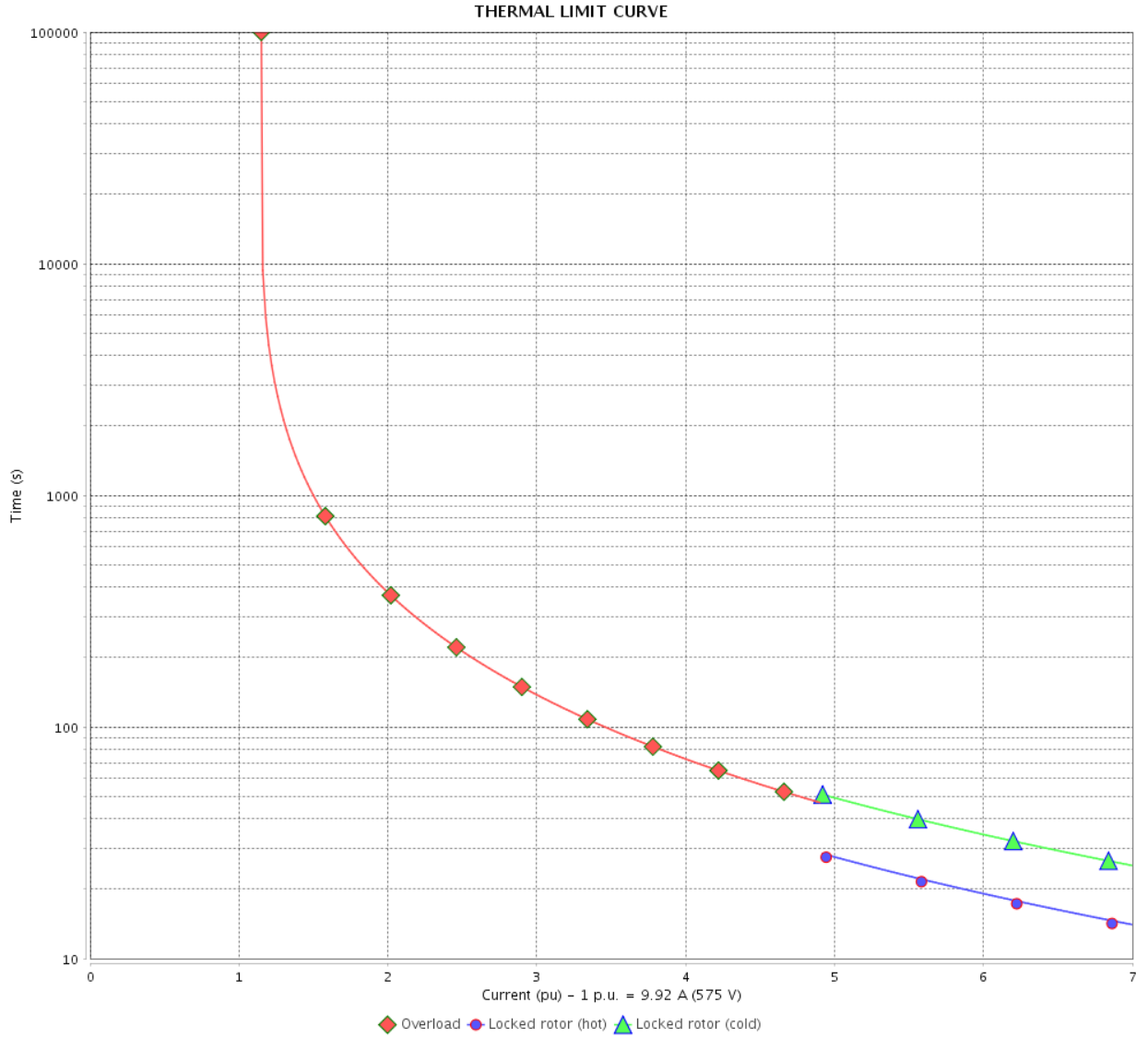
Rev.	Changes Summary	Performed	Checked	Date
Performed by				
Checked by			Page	Revision
Date	12/04/2022		4 / 6	

# THERMAL LIMIT CURVE

Three Phase Induction Motor - Squirrel Cage



Customer : \_\_\_\_\_



Rev.	Changes Summary	Performed	Checked	Date
Performed by		Page		Revision
Checked by				
Date				

# VFD OPERATION CURVE

Three Phase Induction Motor - Squirrel Cage



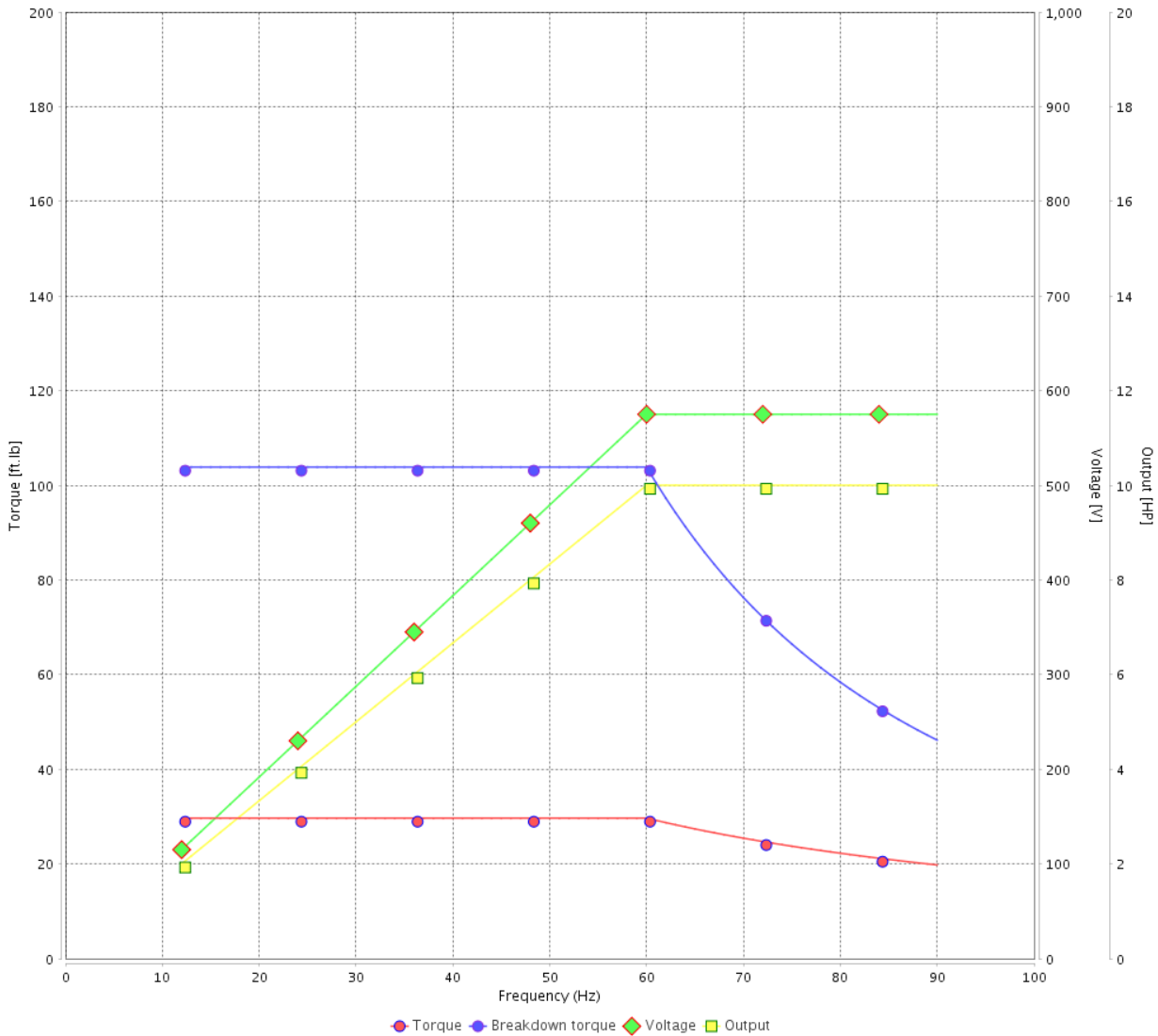
Customer :

Product line : JM Pump NEMA Premium Efficiency Three-Phase

Product code : 13289039

Catalog # : 01018OT3H215JMV-S

VFD OPERATION CURVE



Performance : 575 V 60 Hz 4P

Rated current : 9.92 A  
 LRC : 7.0  
 Rated torque : 29.7 ft.lb  
 Locked rotor torque : 250 %  
 Breakdown torque : 350 %  
 Rated speed : 1770 rpm

Moment of inertia (J) : 1.30 sq.ft.lb  
 Duty cycle : Cont.(S1)  
 Insulation class : F  
 Service factor : 1.15  
 Temperature rise : 80 K  
 Design : B

Rev.	Changes Summary	Performed	Checked	Date
Performed by			Page 6 / 6	Revision
Checked by				
Date	12/04/2022			

1 2 3 4 5 6

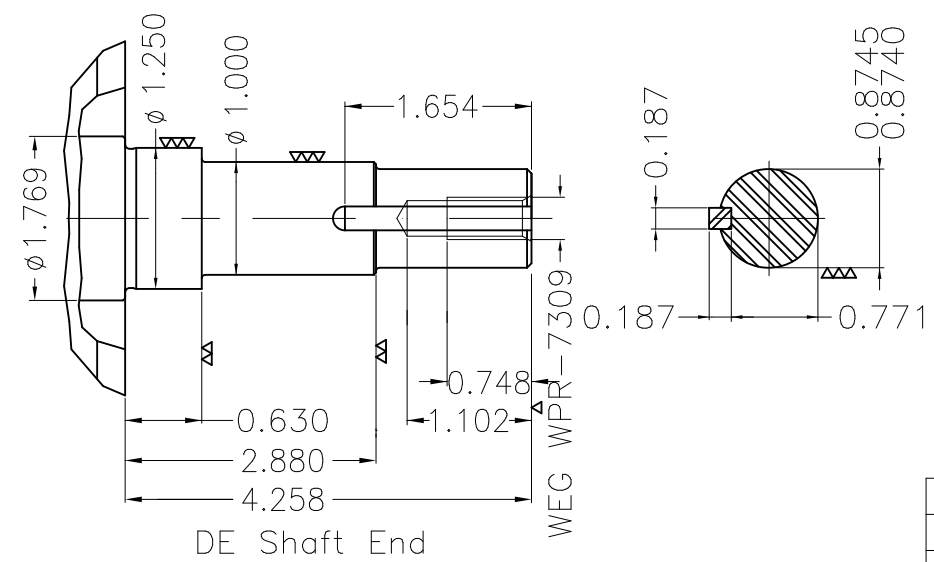
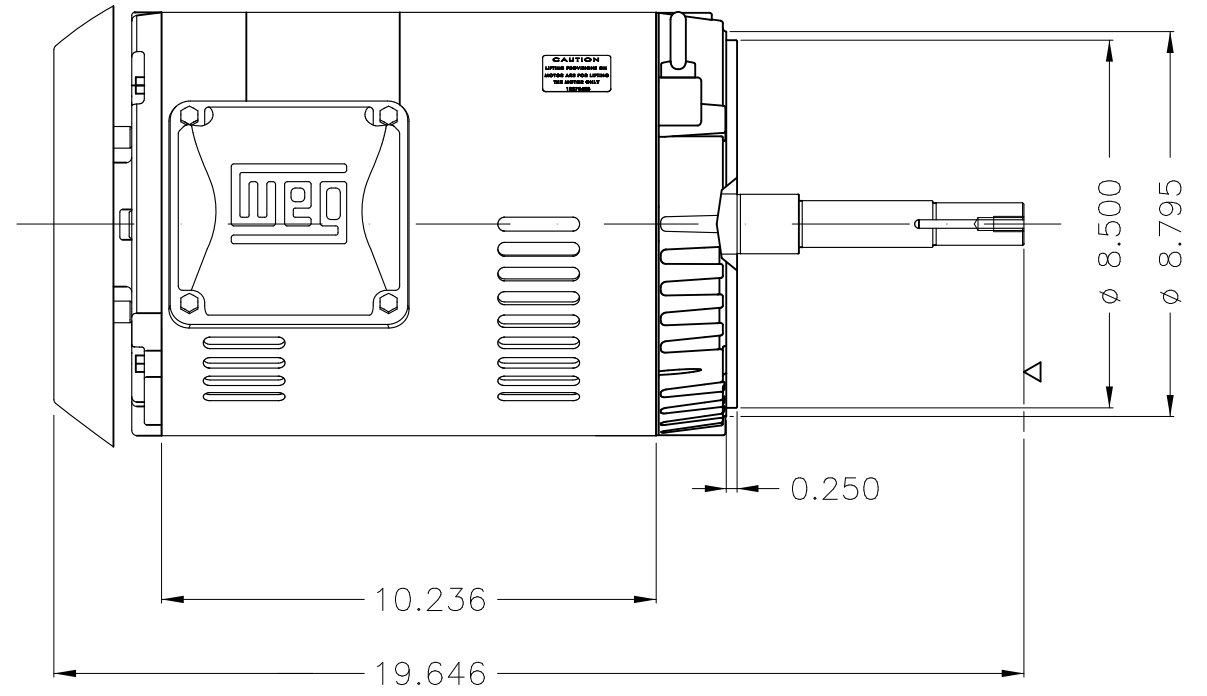
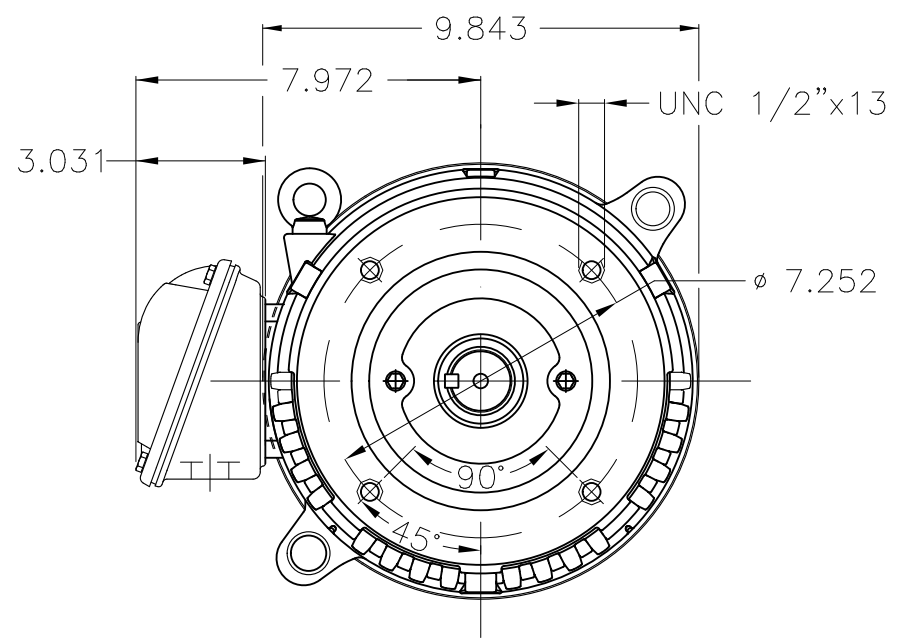
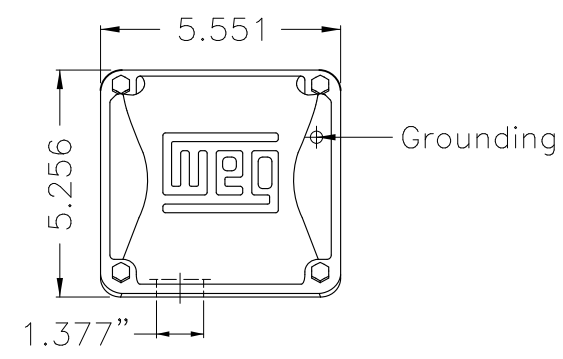
A

B

C

D

E



EUNC 3/8" - 16 WEG WPR-7309

Color Munsell N 1 matte black									
Painting plan 207N									
Mounting W-6/V18R(D)									
ECM	LOC	SUMMARY OF MODIFICATIONS			EXECUTED	CHECKED	RELEASED	DATE	VER
EXECUTED	PIRBUSER	THREE PH. MOTOR ROLLED STEEL CLOSE COUPLED PUMP JN TYPE PSE 187							
CHECKED		FRAME 213/5JM IP21 ODP							
RELEASED									
REL DT.		WMO	Jaragua do Sul	Product Engineering					

PREVIEW  
WDD



10 HP 04 Poles 60 Hz



**NEMA**  
**Premium**



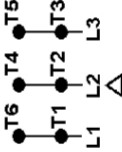
MADE IN MEXICO

**MAT: 13289039 CC029A**  
**W01.T00IC0X0N**  
**JM010504DPNPSW01**  
**13DEC2021 S/N:**

PH 3	Hz 60	HP 10
FR 213/5JM		KW 7.5
DUTY CONT.		V 575
ALT 1000 m.a.s.l		A 9.92
INS CL F AT 80K		SFA 11.4
AMB 40°C	DES B	SF 1.15
ENCL ODP	CODE H	PF 0.83
		RPM 1770
		NEMA NOM. EFF 91.7%

Inverter duty motor For use on VPWM 1000:1 VT, 5:1 CT

DE 6209-ZZ ODE 6206-ZZ MOBIL POLYREX EM



T1-BLU  
T2-WHT  
T3-ORG  
T4-YEL  
T5-BLK  
T6-GRY



INTERCHANGE ANY TWO LINE WIRES TO REVERSE THE ROTATION

**WARNING:** Motor must be grounded in accordance with local and national electrical codes to prevent serious electrical shocks. Disconnect power source before servicing unit.



**AVERTISSEMENT:** Le moteur doit être mis à la terre

conformément aux codes électriques locaux et nationaux afin d'éviter tout choc électrique grave. Déconnectez l'alimentation avant l'entretien de la machine.

