

DATA SHEET



Three Phase Induction Motor - Squirrel Cage

Customer :				
Product line	: NEMA Premium Efficiency Three-Phase			
Product code :	12792597			
Catalog # :	01018OT3H215T-SG			
Frame : 213/5T Output : 10 HP (7.5 kW) Poles : 4 Frequency : 60 Hz Rated voltage : 575 V Rated current : 9.92 A L. R. Amperes : 69.4 A LRC : 7.0x(Code H) No load current : 4.79 A Rated speed : 1770 rpm Slip : 1.67 % Rated torque : 29.7 ft.lb Locked rotor torque : 250 % Breakdown torque : 350 % Insulation class : F Service factor : 1.15 Moment of inertia (J) : 1.30 sq.ft.lb Design : B	Locked rotor time : 25s (cold) 14s (hot) Temperature rise : 80 K Duty cycle : Cont.(S1) Ambient temperature : -20°C to +40°C Altitude : 1000 m.a.s.l. Cooling method : IC01 - ODP Mounting : F-1 Rotation ¹ : Both (CW and CCW) Noise level ² : 59.0 dB(A) Starting method : Direct On Line Approx. weight ³ : 120 lb			
Output	25% 50% 75% 100%			
Efficiency (%)	89.4 90.2 91.0 91.7			
Power Factor	0.38 0.64 0.77 0.83			
Foundation loads				
Max. traction	: 526 lb			
Max. compression	: 646 lb			
Bearing type	: <u>Drive end</u> 6208 ZZ <u>Non drive end</u> 6206 ZZ			
Sealing	: Without Bearing Seal Without Bearing Seal			
Lubrication interval	: - -			
Lubricant amount	: - -			
Lubricant type	: Mobil Polyrex EM			
Notes				
This revision replaces and cancel the previous one, which must be eliminated. (1) Looking the motor from the shaft end. (2) Measured at 1m and with tolerance of +3dB(A). (3) Approximate weight subject to changes after manufacturing process. (4) At 100% of full load.				
These are average values based on tests with sinusoidal power supply, subject to the tolerances stipulated in NEMA MG-1.				
Rev.	Changes Summary	Performed	Checked	Date
Performed by				
Checked by			Page	Revision
Date	12/04/2022		1 / 6	

TORQUE AND CURRENT VS SPEED CURVE

Three Phase Induction Motor - Squirrel Cage



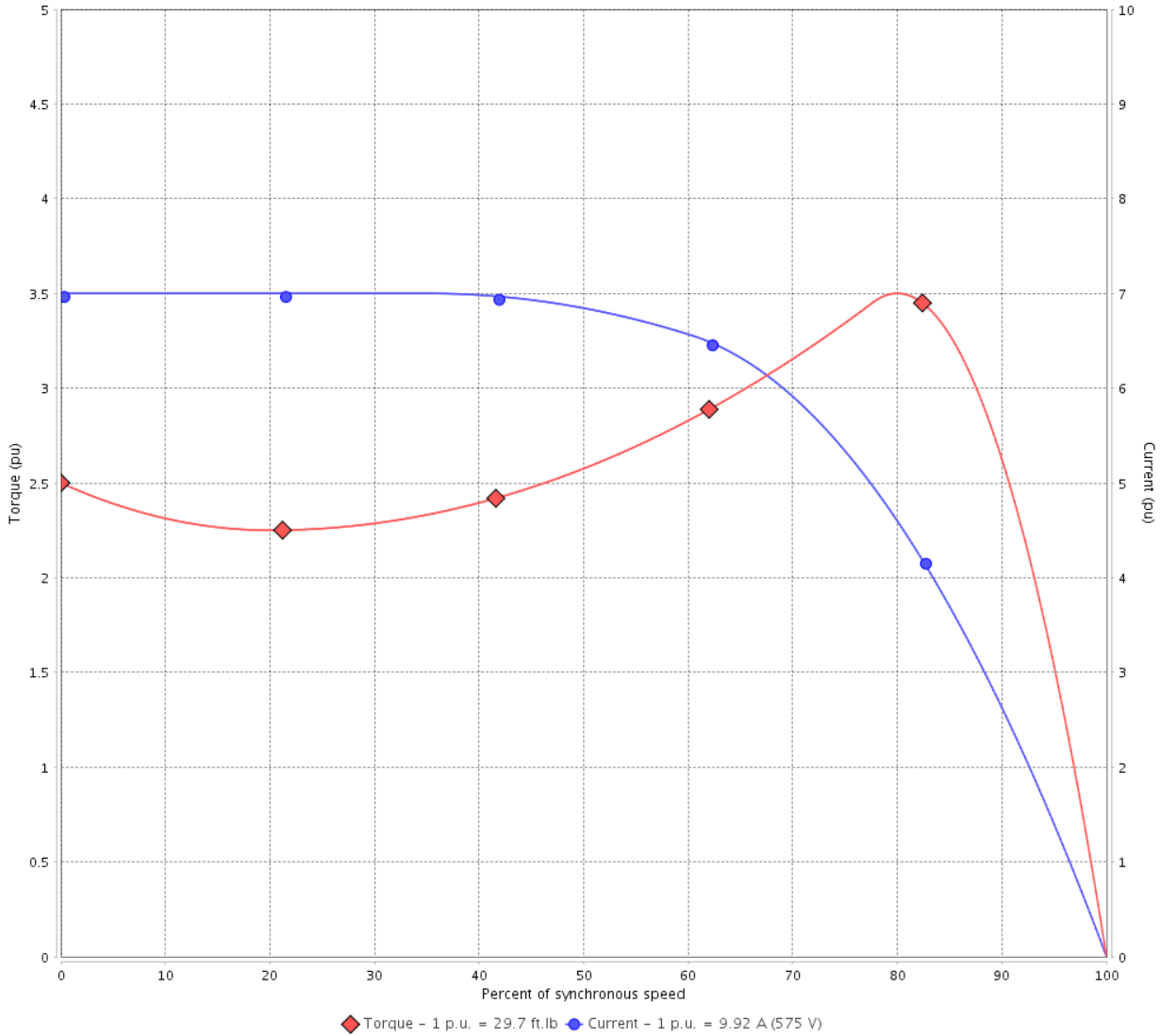
Customer :

Product line : NEMA Premium Efficiency Three-Phase

Product code : 12792597

Catalog # : 01018OT3H215T-SG

TORQUE AND CURRENT VS SPEED CURVE



Performance : 575 V 60 Hz 4P

Rated current	: 9.92 A	Moment of inertia (J)	: 1.30 sq.ft.lb
LRC	: 7.0	Duty cycle	: Cont.(S1)
Rated torque	: 29.7 ft.lb	Insulation class	: F
Locked rotor torque	: 250 %	Service factor	: 1.15
Breakdown torque	: 350 %	Temperature rise	: 80 K
Rated speed	: 1770 rpm	Design	: B

Locked rotor time : 25s (cold) 14s (hot)

Rev.	Changes Summary	Performed	Checked	Date
Performed by			Page 2 / 6	Revision
Checked by				
Date	12/04/2022			

LOAD PERFORMANCE CURVE

Three Phase Induction Motor - Squirrel Cage

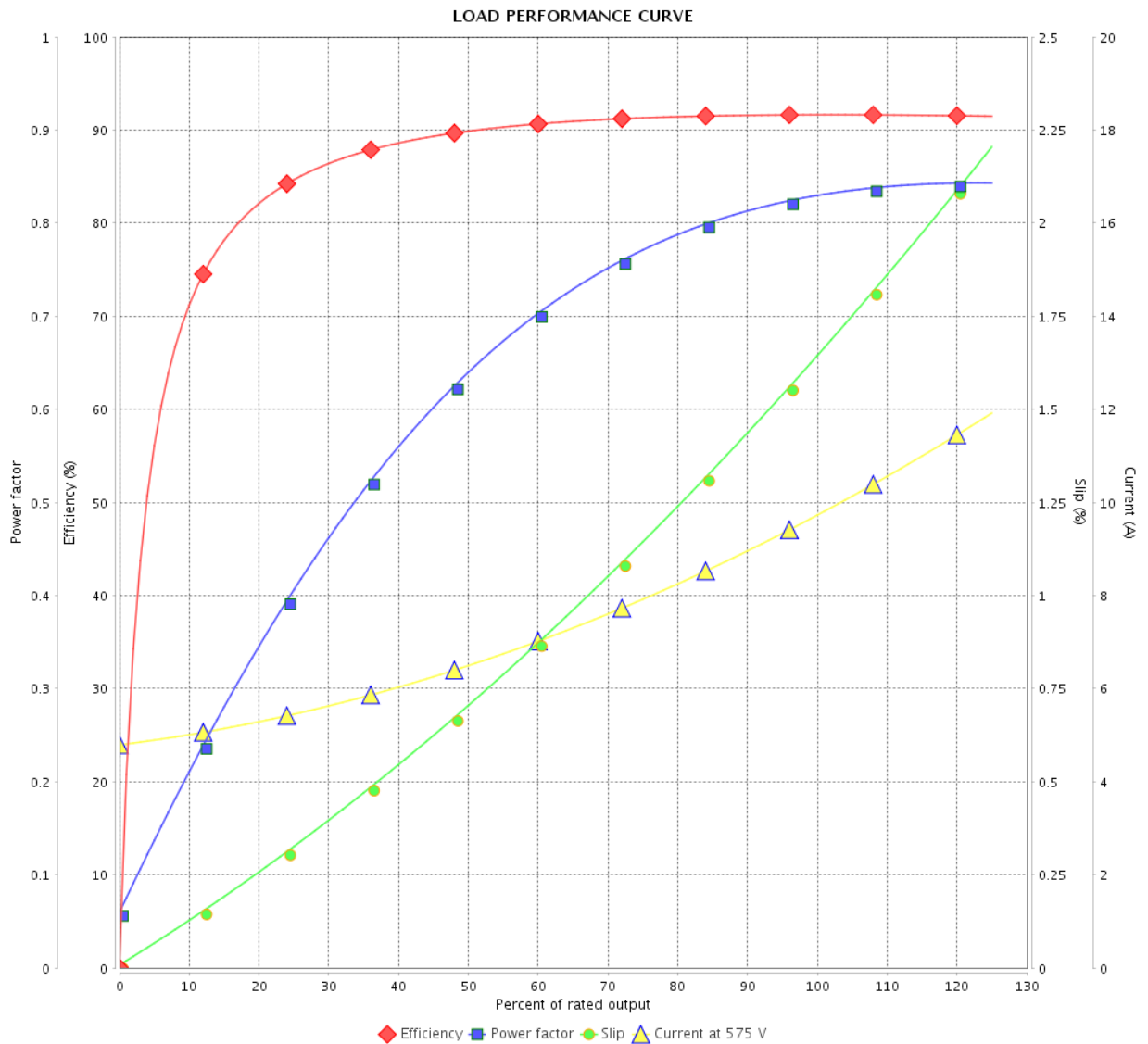


Customer : _____

Product line : NEMA Premium Efficiency Three-Phase

Product code : 12792597

Catalog # : 01018OT3H215T-SG



Performance : 575 V 60 Hz 4P

Rated current : 9.92 A
 LRC : 7.0
 Rated torque : 29.7 ft.lb
 Locked rotor torque : 250 %
 Breakdown torque : 350 %
 Rated speed : 1770 rpm

Moment of inertia (J) : 1.30 sq.ft.lb
 Duty cycle : Cont.(S1)
 Insulation class : F
 Service factor : 1.15
 Temperature rise : 80 K
 Design : B

Rev.	Changes Summary	Performed	Checked	Date
Performed by		Page		Revision
Checked by		3 / 6		
Date		12/04/2022		

THERMAL LIMIT CURVE

Three Phase Induction Motor - Squirrel Cage



Customer :

Product line : NEMA Premium Efficiency Three-Phase
Product code : 12792597
Catalog # : 01018OT3H215T-SG

Performance : 575 V 60 Hz 4P

Rated current	: 9.92 A	Moment of inertia (J)	: 1.30 sq.ft.lb
LRC	: 7.0	Duty cycle	: Cont.(S1)
Rated torque	: 29.7 ft.lb	Insulation class	: F
Locked rotor torque	: 250 %	Service factor	: 1.15
Breakdown torque	: 350 %	Temperature rise	: 80 K
Rated speed	: 1770 rpm	Design	: B

Heating constant

Cooling constant

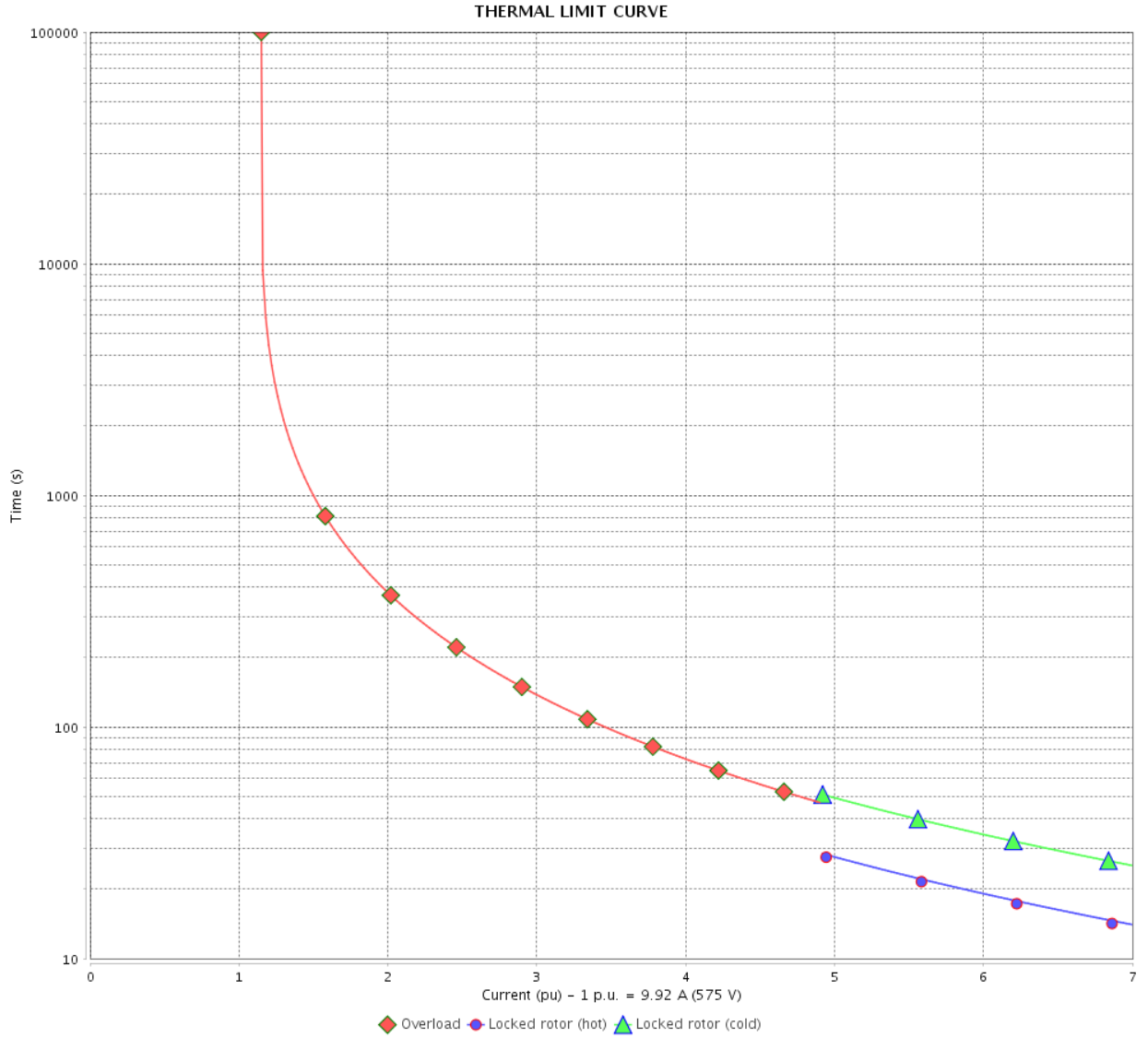
Rev.	Changes Summary	Performed	Checked	Date
Performed by				
Checked by			Page	Revision
Date	12/04/2022		4 / 6	

THERMAL LIMIT CURVE

Three Phase Induction Motor - Squirrel Cage



Customer : _____



Rev.	Changes Summary	Performed	Checked	Date
Performed by		Page 5 / 6		Revision
Checked by				
Date				

VFD OPERATION CURVE

Three Phase Induction Motor - Squirrel Cage



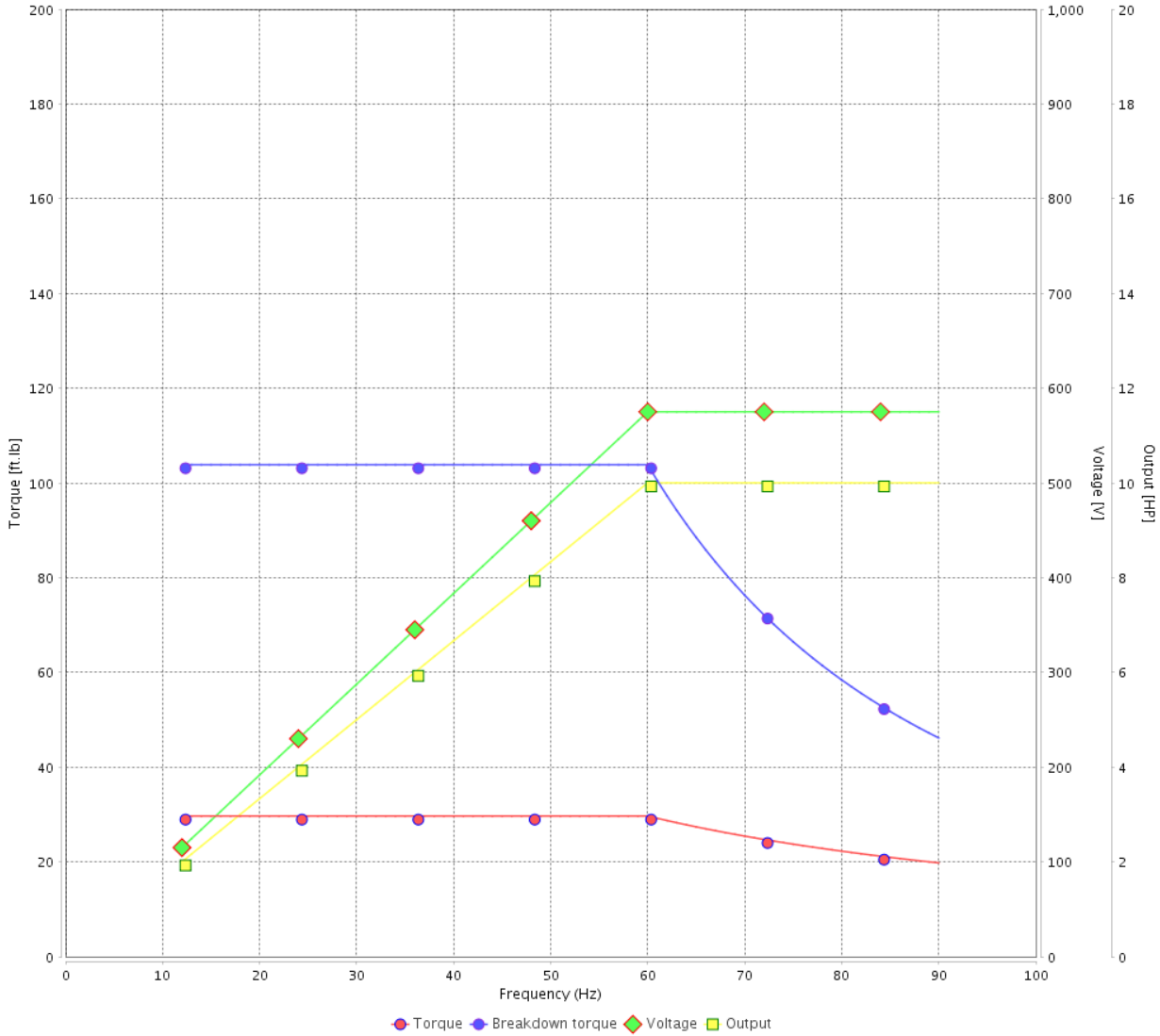
Customer :

Product line : NEMA Premium Efficiency Three-Phase

Product code : 12792597

Catalog # : 01018OT3H215T-SG

VFD OPERATION CURVE



Performance : 575 V 60 Hz 4P

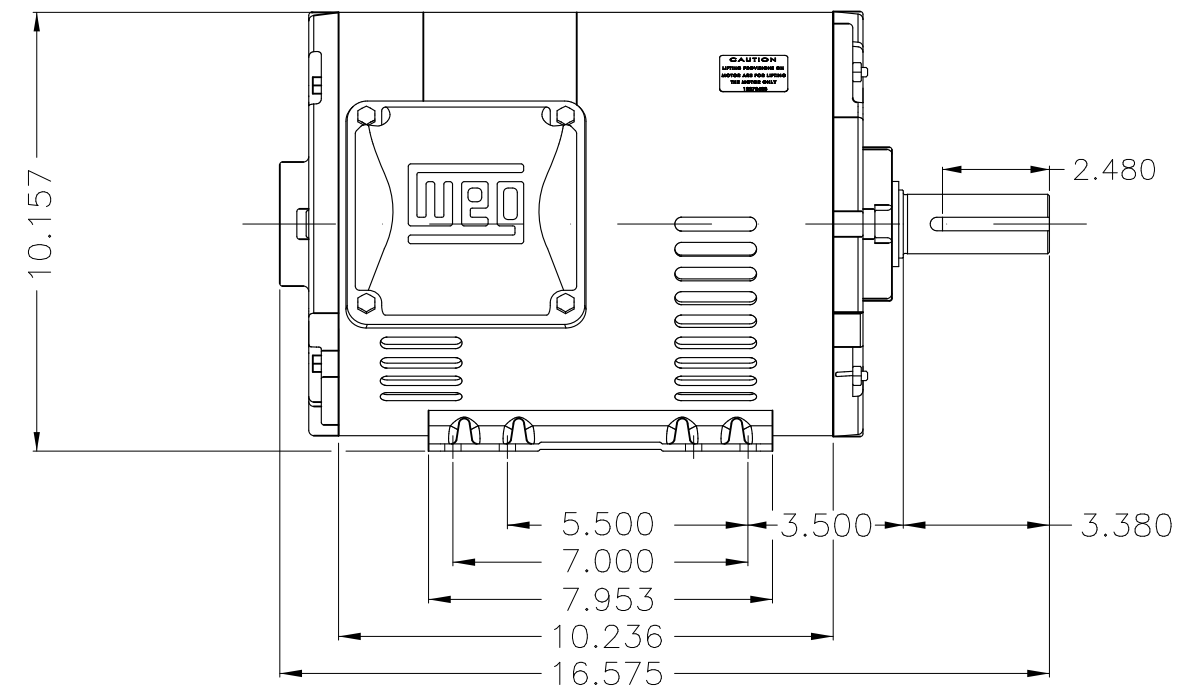
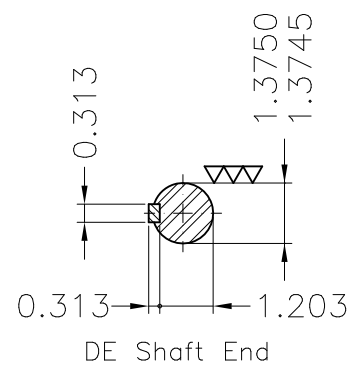
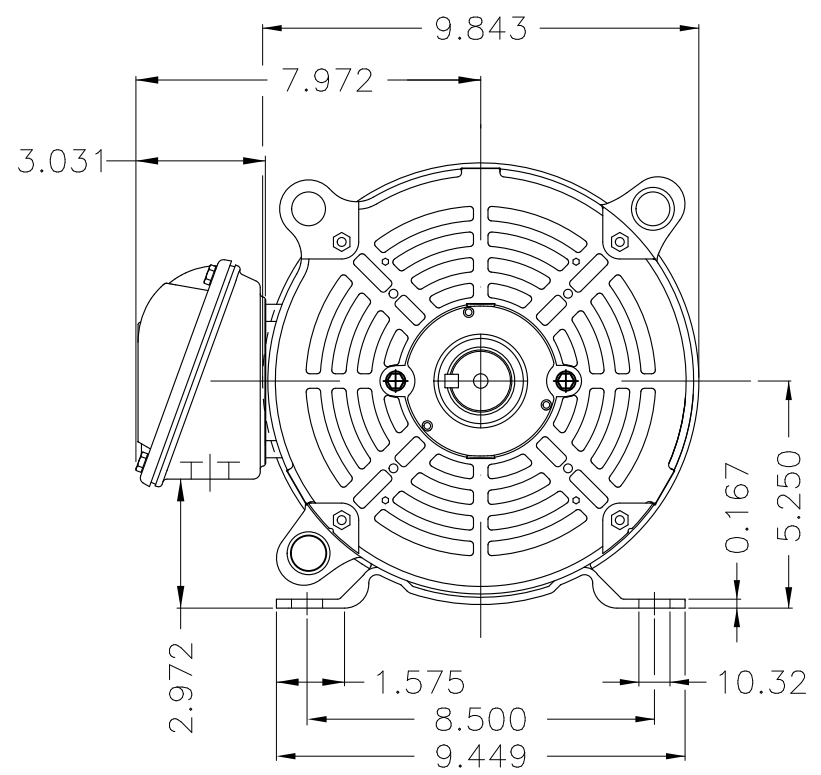
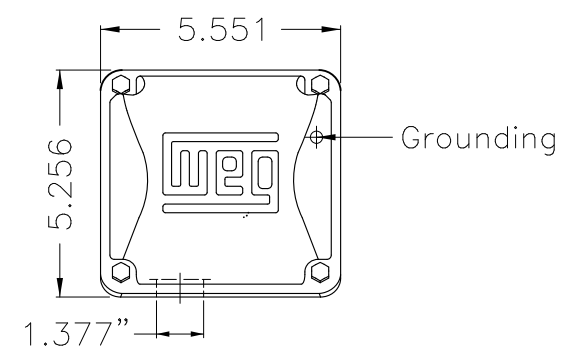
Rated current : 9.92 A
 LRC : 7.0
 Rated torque : 29.7 ft.lb
 Locked rotor torque : 250 %
 Breakdown torque : 350 %
 Rated speed : 1770 rpm

Moment of inertia (J) : 1.30 sq.ft.lb
 Duty cycle : Cont.(S1)
 Insulation class : F
 Service factor : 1.15
 Temperature rise : 80 K
 Design : B

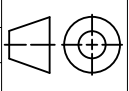
Rev.	Changes Summary	Performed	Checked	Date
Performed by			Page 6 / 6	Revision
Checked by				
Date	12/04/2022			

1 2 3 4 5 6

A
B
C
D
E



Bearing cap
 Internal AEGIS ground ring on the DE
 Color Munsell N 1 matte black
 Painting plan 207N
 Mounting F-1/B3R(D)

ECM	LOC	SUMMARY OF MODIFICATIONS	EXECUTED	CHECKED	RELEASED	DATE	VER
EXECUTED	PIRWBUSER	 THREE PH. MOTOR ROLLED STEEL PREM. EFF. FRAME 213/5T IP21 ODP					
CHECKED							
RELEASED							
REL DT.	WMO	Jaragua do Sul	Product Engineering	SHEET	1 / 1		

10 HP 04 Poles 60 Hz

A

PREVIEW

WDD



Dimensions in inches XME A3

**NEMA**
Premium

3PT9

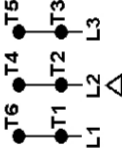


Energy Verified

MADE IN MEXICO

MAT: 12792597 CC029A**W01.T00IC0X0N****DP010504NPW01GR****07DEC2021 S/N:**

PH 3	Hz 60	HP 10
FR 213/5T		KW 7.5
DUTY CONT.		V 575
ALT 1000 m.a.s.l		A 9.92
INS CL F AT 80K		SFA 11.4
AMB 40°C	DES B	SF 1.15
ENCL ODP	CODE H	PF 0.83
		RPM 1770
		NEMA
		NOM. EFF 91.7%

Inverter duty motor For use on VPWM 1000:1 VT, 5:1 CT**DE 6208-ZZ ODE 6206-ZZ MOBIL POLYREX EM**

T1-BLU
T2-WHT
T3-ORG
T4-YEL
T5-BLK
T6-GRY

**INTERCHANGE ANY TWO LINE WIRES TO REVERSE THE ROTATION**

WARNING: Motor must be grounded in accordance with local and national electrical codes to prevent serious electrical shocks. Disconnect power source before servicing unit.



AVERTISSEMENT: Le moteur doit être mis à la terre

conformément aux codes électriques locaux et nationaux afin d'éviter tout choc électrique grave. Déconnectez l'alimentation avant l'entretien de la machine.

