

# DATA SHEET



## Three Phase Induction Motor - Squirrel Cage

Customer :																			
Product line : JP Pump NEMA Premium Efficiency Three-Phase	Product code : 12682730 Catalog # : 01018OT3V215JP-S																		
Frame : 213/5JP Output : 10 HP (7.5 kW) Poles : 4 Frequency : 60 Hz Rated voltage : 200/400 V Rated current : 28.5/14.3 A L. R. Amperes : 200/100 A LRC : 7.0x(Code H) No load current : 13.8/6.89 A Rated speed : 1770 rpm Slip : 1.67 % Rated torque : 29.7 ft.lb Locked rotor torque : 250 % Breakdown torque : 350 % Insulation class : F Service factor : 1.15 Moment of inertia (J) : 1.30 sq.ft.lb Design : B	Locked rotor time : 25s (cold) 14s (hot) Temperature rise : 80 K Duty cycle : Cont.(S1) Ambient temperature : -20°C to +40°C Altitude : 1000 m.a.s.l. Cooling method : IC01 - ODP Mounting : F-1 Rotation <sup>1</sup> : Both (CW and CCW) Noise level <sup>2</sup> : 59.0 dB(A) Starting method : Direct On Line Approx. weight <sup>3</sup> : 134 lb																		
<table border="1" style="width:100%; border-collapse: collapse;"> <tr> <td>Output</td> <td>25%</td> <td>50%</td> <td>75%</td> <td>100%</td> </tr> <tr> <td>Efficiency (%)</td> <td>89.4</td> <td>90.2</td> <td>91.0</td> <td>91.7</td> </tr> <tr> <td>Power Factor</td> <td>0.38</td> <td>0.64</td> <td>0.77</td> <td>0.83</td> </tr> </table>	Output	25%	50%	75%	100%	Efficiency (%)	89.4	90.2	91.0	91.7	Power Factor	0.38	0.64	0.77	0.83	Foundation loads Max. traction : 519 lb Max. compression : 653 lb			
Output	25%	50%	75%	100%															
Efficiency (%)	89.4	90.2	91.0	91.7															
Power Factor	0.38	0.64	0.77	0.83															
<table border="1" style="width:100%; border-collapse: collapse;"> <tr> <td></td> <td style="text-align:center"><u>Drive end</u></td> <td style="text-align:center"><u>Non drive end</u></td> </tr> <tr> <td>Bearing type :</td> <td style="text-align:center">6209 ZZ</td> <td style="text-align:center">6206 ZZ</td> </tr> <tr> <td>Sealing :</td> <td style="text-align:center">Without Bearing Seal</td> <td style="text-align:center">Without Bearing Seal</td> </tr> <tr> <td>Lubrication interval :</td> <td style="text-align:center">-</td> <td style="text-align:center">-</td> </tr> <tr> <td>Lubricant amount :</td> <td style="text-align:center">-</td> <td style="text-align:center">-</td> </tr> <tr> <td>Lubricant type :</td> <td colspan="2" style="text-align:center">Mobil Polyrex EM</td> </tr> </table>			<u>Drive end</u>	<u>Non drive end</u>	Bearing type :	6209 ZZ	6206 ZZ	Sealing :	Without Bearing Seal	Without Bearing Seal	Lubrication interval :	-	-	Lubricant amount :	-	-	Lubricant type :	Mobil Polyrex EM	
	<u>Drive end</u>	<u>Non drive end</u>																	
Bearing type :	6209 ZZ	6206 ZZ																	
Sealing :	Without Bearing Seal	Without Bearing Seal																	
Lubrication interval :	-	-																	
Lubricant amount :	-	-																	
Lubricant type :	Mobil Polyrex EM																		
Notes																			
This revision replaces and cancel the previous one, which must be eliminated. (1) Looking the motor from the shaft end. (2) Measured at 1m and with tolerance of +3dB(A). (3) Approximate weight subject to changes after manufacturing process. (4) At 100% of full load.																			
These are average values based on tests with sinusoidal power supply, subject to the tolerances stipulated in NEMA MG-1.																			
Rev.	Changes Summary	Performed	Checked	Date															
Performed by																			
Checked by			Page	Revision															
Date	12/04/2022		1 / 6																

# TORQUE AND CURRENT VS SPEED CURVE

Three Phase Induction Motor - Squirrel Cage



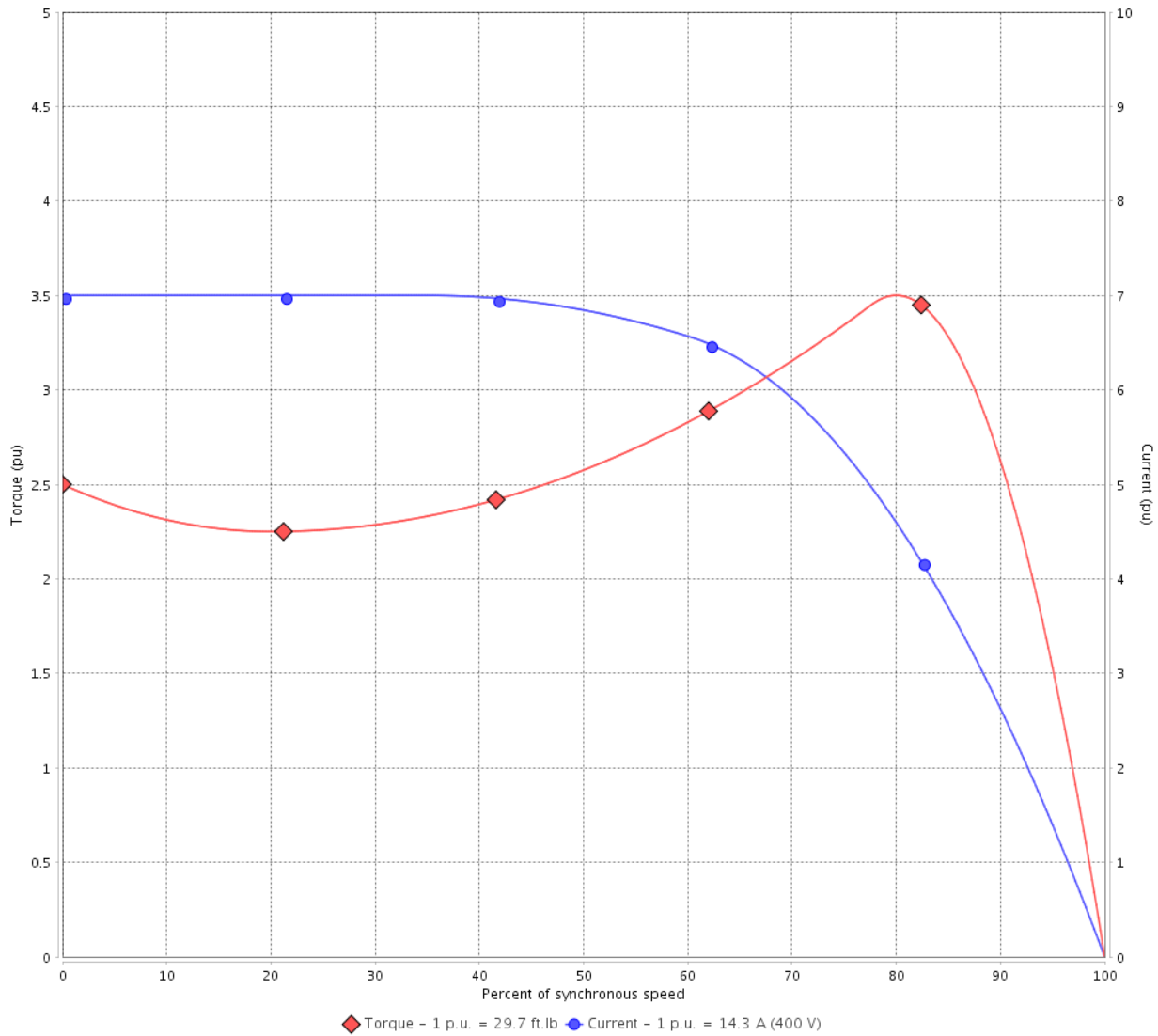
Customer :

Product line : JP Pump NEMA Premium Efficiency Three-Phase

Product code : 12682730

Catalog # : 01018OT3V215JP-S

TORQUE AND CURRENT VS SPEED CURVE



Performance : 200/400 V 60 Hz 4P

Rated current	: 28.5/14.3 A	Moment of inertia (J)	: 1.30 sq.ft.lb
LRC	: 7.0	Duty cycle	: Cont.(S1)
Rated torque	: 29.7 ft.lb	Insulation class	: F
Locked rotor torque	: 250 %	Service factor	: 1.15
Breakdown torque	: 350 %	Temperature rise	: 80 K
Rated speed	: 1770 rpm	Design	: B

Locked rotor time : 25s (cold) 14s (hot)

Rev.	Changes Summary	Performed	Checked	Date
Performed by			Page 2 / 6	Revision
Checked by				
Date	12/04/2022			

# LOAD PERFORMANCE CURVE

## Three Phase Induction Motor - Squirrel Cage

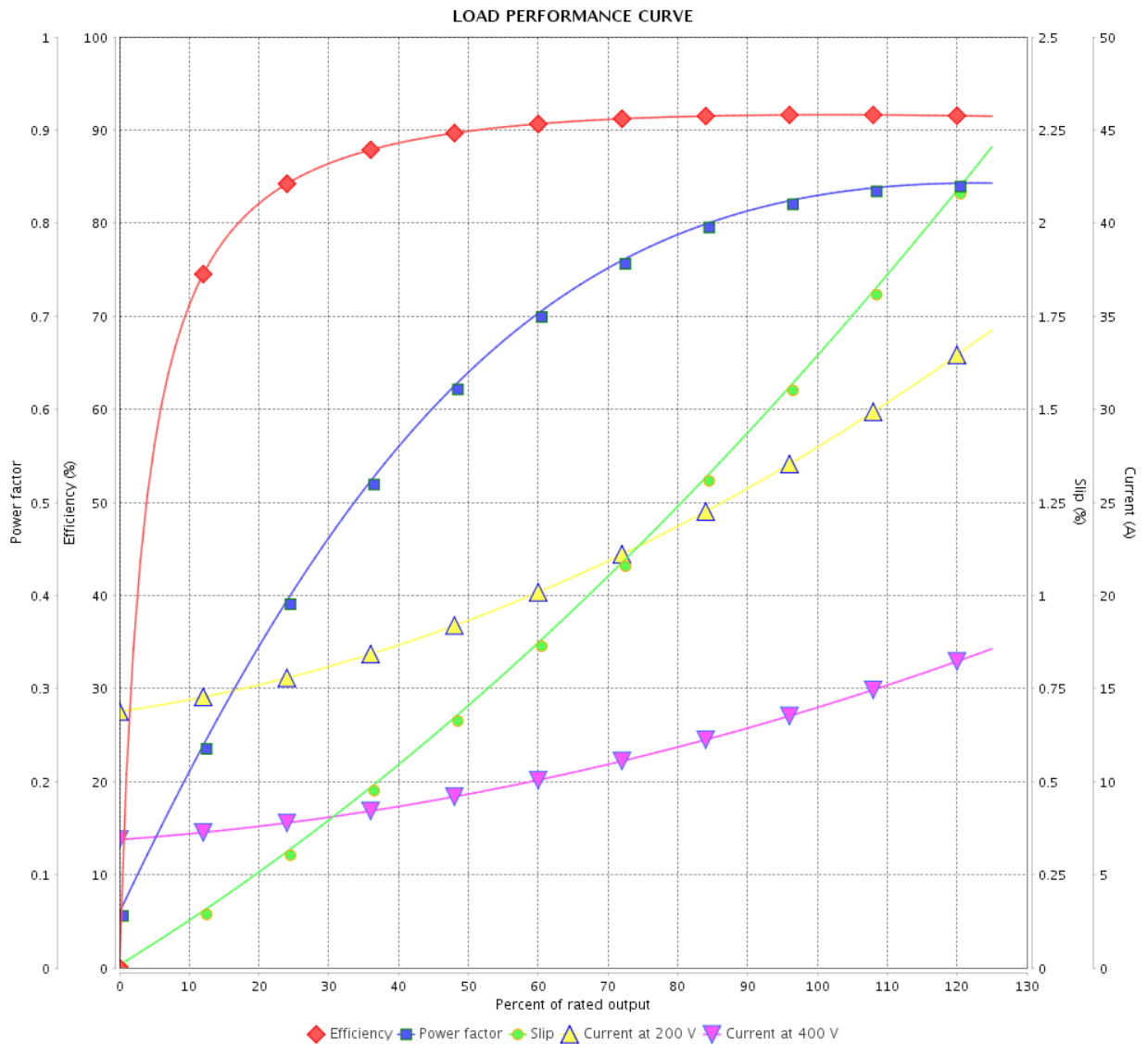


Customer :

Product line : JP Pump NEMA Premium Efficiency Three-Phase

Product code : 12682730

Catalog # : 01018OT3V215JP-S



Performance : 200/400 V 60 Hz 4P

Rated current : 28.5/14.3 A  
 LRC : 7.0  
 Rated torque : 29.7 ft.lb  
 Locked rotor torque : 250 %  
 Breakdown torque : 350 %  
 Rated speed : 1770 rpm

Moment of inertia (J) : 1.30 sq.ft.lb  
 Duty cycle : Cont.(S1)  
 Insulation class : F  
 Service factor : 1.15  
 Temperature rise : 80 K  
 Design : B

Rev.	Changes Summary	Performed	Checked	Date
Performed by		Page		Revision
Checked by		3 / 6		
Date	12/04/2022			

# THERMAL LIMIT CURVE



## Three Phase Induction Motor - Squirrel Cage

Customer :

Product line : JP Pump NEMA Premium  
Efficiency Three-Phase

Product code : 12682730

Catalog # : 01018OT3V215JP-S

Performance : 200/400 V 60 Hz 4P

Rated current : 28.5/14.3 A  
LRC : 7.0  
Rated torque : 29.7 ft.lb  
Locked rotor torque : 250 %  
Breakdown torque : 350 %  
Rated speed : 1770 rpm

Moment of inertia (J) : 1.30 sq.ft.lb  
Duty cycle : Cont.(S1)  
Insulation class : F  
Service factor : 1.15  
Temperature rise : 80 K  
Design : B

Heating constant

Cooling constant

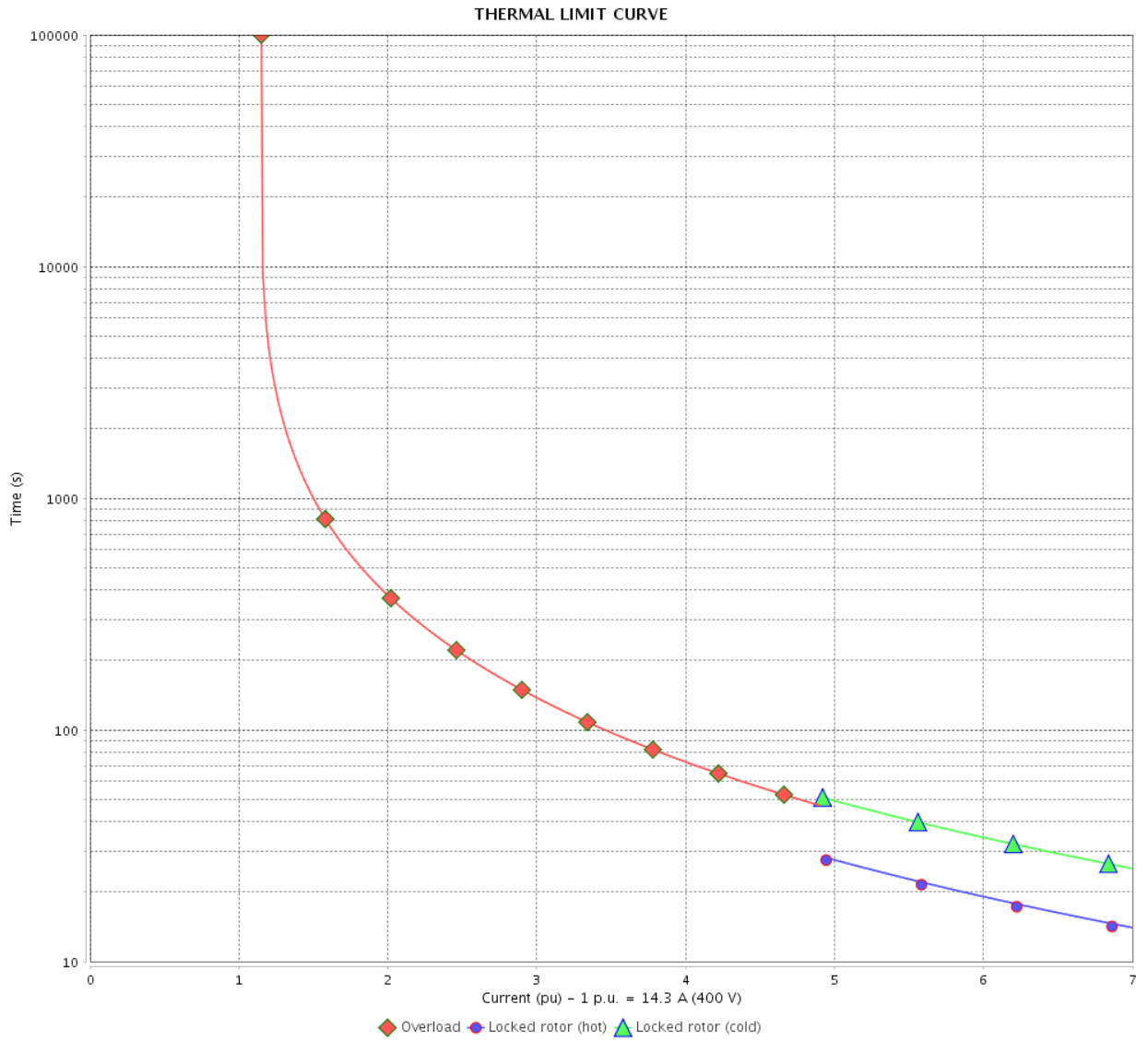
Rev.	Changes Summary	Performed	Checked	Date
Performed by				
Checked by			Page	Revision
Date	12/04/2022		4 / 6	

# THERMAL LIMIT CURVE

Three Phase Induction Motor - Squirrel Cage



Customer : \_\_\_\_\_



Rev.	Changes Summary	Performed	Checked	Date
Performed by		Page 5 / 6		Revision
Checked by				
Date				

# VFD OPERATION CURVE

Three Phase Induction Motor - Squirrel Cage



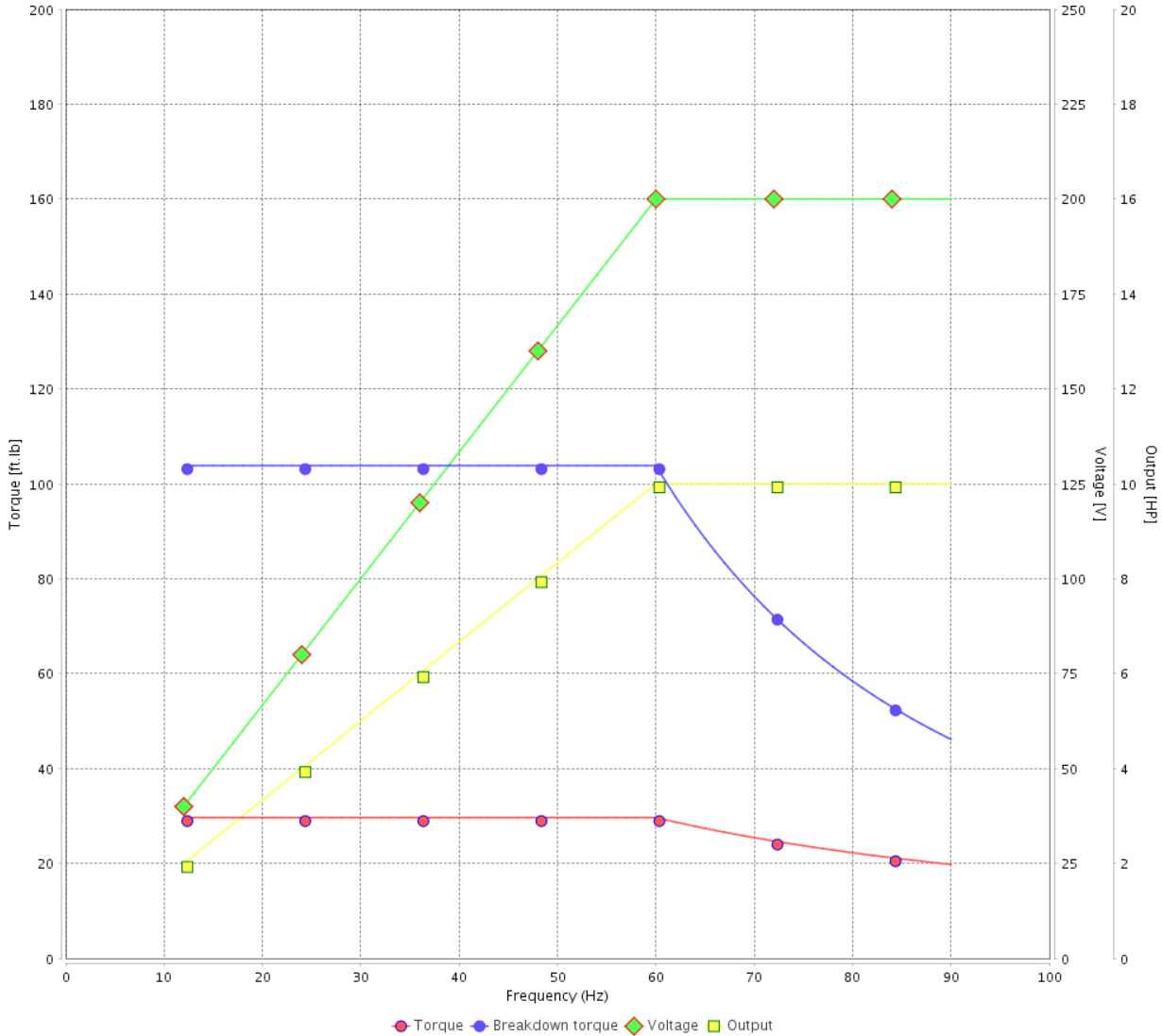
Customer :

Product line : JP Pump NEMA Premium Efficiency Three-Phase

Product code : 12682730

Catalog # : 01018OT3V215JP-S

VFD OPERATION CURVE



Performance : 200/400 V 60 Hz 4P

Rated current : 28.5/14.3 A  
 LRC : 7.0  
 Rated torque : 29.7 ft.lb  
 Locked rotor torque : 250 %  
 Breakdown torque : 350 %  
 Rated speed : 1770 rpm

Moment of inertia (J) : 1.30 sq.ft.lb  
 Duty cycle : Cont.(S1)  
 Insulation class : F  
 Service factor : 1.15  
 Temperature rise : 80 K  
 Design : B

Rev.	Changes Summary	Performed	Checked	Date
Performed by			Page 6 / 6	Revision
Checked by				
Date	12/04/2022			

1 2 3 4 5 6

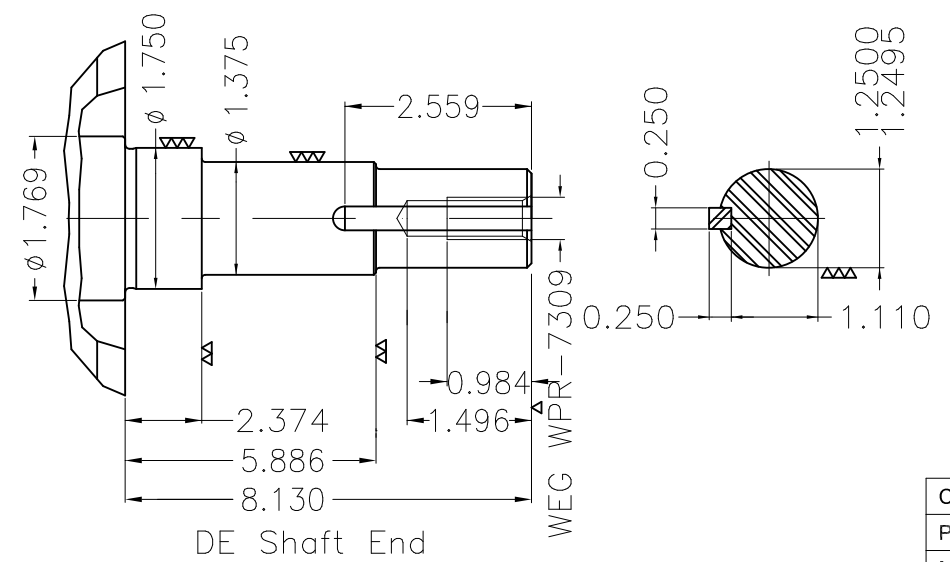
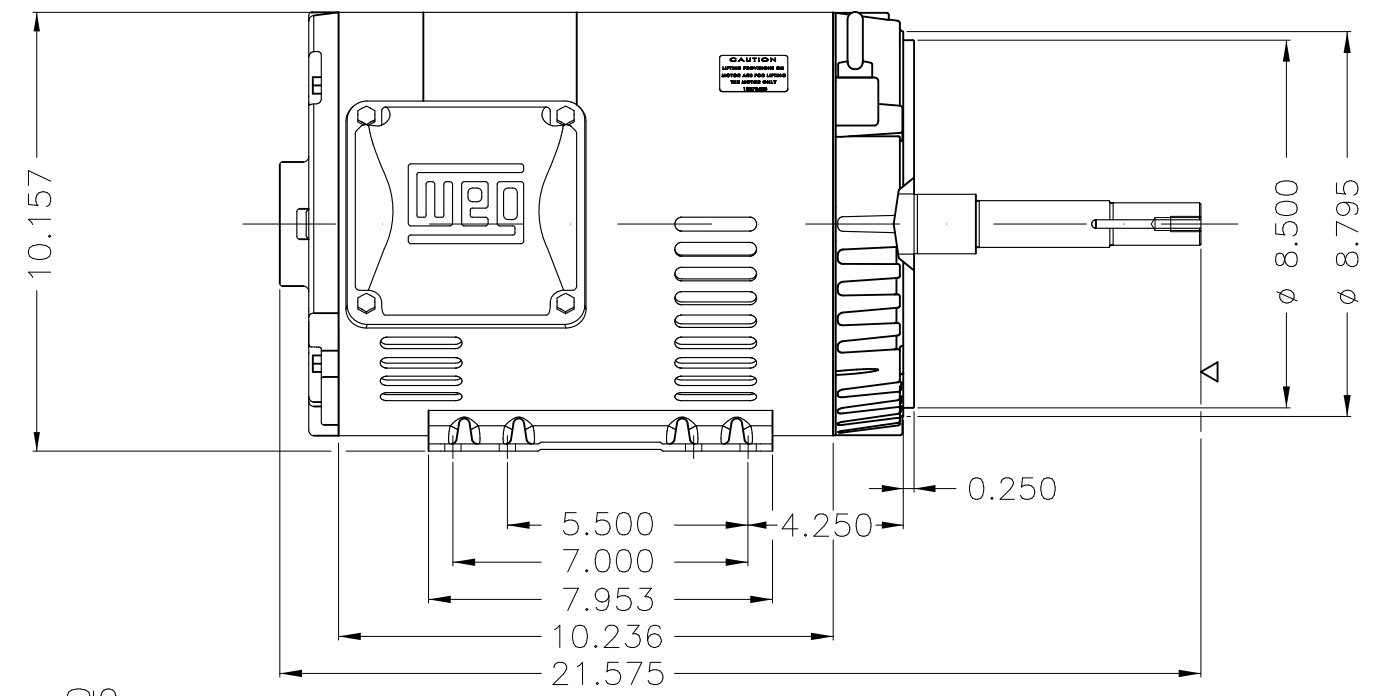
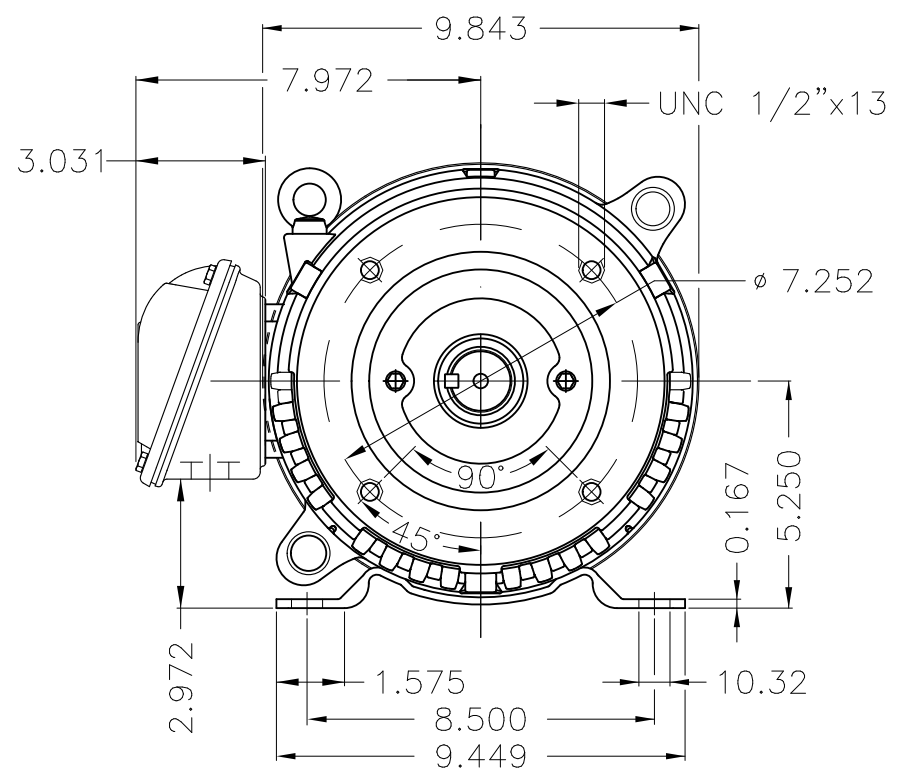
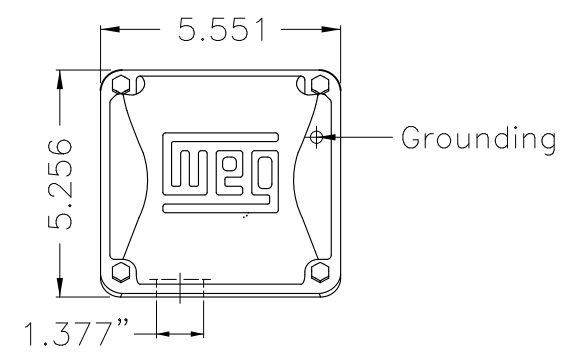
A

B

C

D

E



EUNC 1/2"-13 WEG WPR-7309

DE Shaft End

Color Munsell N 1 matte black  
 Painting plan 207N  
 Mounting F-1/B34R(D)

ECM	LOC	SUMMARY OF MODIFICATIONS	EXECUTED	CHECKED	RELEASED	DATE	VER
EXECUTED	PIRBUSER	THREE PH. MOTOR ROLLED STEEL CLOSE COUPLED PUMP JP 5/5 DE PREL ETX					
CHECKED		FRAME 213/5JP IP21 ODP					
RELEASED							
REL DT.	WMO	Jaragua do Sul	Product Engineering	WDD	SHEET	1 / 1	

10 HP 04 Poles 60 Hz



**NEMA  
Premium**

MADE IN MEXICO

MAT: 12682730 CC029A

W01.T00IC0X0N

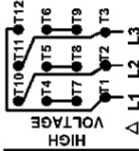
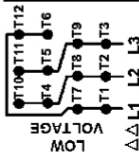
MODEL 010180T3V215JP-S

09AUG2021 S/N:

PH 3	Hz 60	HP 10
FR 213/5JP		KW 7.5
DUTY CONT.		V 200/400
ALT 1000 m.a.s.l.		A 28.5/14.3
INS CL F AT 80K		SFA 32.8/16.4
AMB 40°C	DES B	SF 1.15
ENCL ODP	CODE H	PF 0.83
		RPM 1770
		NEMA NOM. EFF 91.7%

Inverter duty motor For use on VPWM 1000:1 VT, 5:1 CT

DE 6209-ZZ	ODE 6206-ZZ	MOBIL POLYREX EM
------------	-------------	------------------



T1-BLU T2-WHT  
 T3-ORG T4-YEL  
 T5-BLK T6-GRY  
 T7-PNK T8-RED  
 T9-BRK RED  
 T10-CURRY  
 T11-GRN T12-VLT

INTERCHANGE ANY TWO LINE WIRES TO REVERSE THE ROTATION

**WARNING:** Motor must be grounded in accordance with local and national electrical codes to prevent serious electrical shocks. Disconnect power source before servicing unit.



**AVERTISSEMENT:** Le moteur doit être mis à la terre

conformément aux codes électriques locaux et nationaux afin d'éviter tout choc électrique grave. Déconnectez l'alimentation avant l'entretien de la machine.

