

# DATA SHEET



## Three Phase Induction Motor - Squirrel Cage

|  |  |           |         |          |
|--|--|-----------|---------|----------|
| Customer :   |  |           |         |          |
| Product line   | : NEMA Premium Efficiency Three-Phase  |           |         |          |
| Product code :   | 14284317   |           |         |          |
| Catalog # :  | 01018XT3E215T  |           |         |          |
| Frame : L215T<br>Output : 10 HP (7.5 kW)<br>Poles : 4<br>Frequency : 60 Hz<br>Rated voltage : 208-230/460 V<br>Rated current : 28.1-25.4/12.7 A<br>L. R. Amperes : 183-165/82.5 A<br>LRC : 6.5x(Code H)<br>No load current : 9.48-11.0/5.50 A<br>Rated speed : 1765 rpm<br>Slip : 1.94 %<br>Rated torque : 29.8 ft.lb<br>Locked rotor torque : 210 %<br>Breakdown torque : 300 %<br>Insulation class : F<br>Service factor : 1.15<br>Moment of inertia (J) : 1.34 sq.ft.lb<br>Design : B | Locked rotor time : 27s (cold) 15s (hot)<br>Temperature rise : 80 K<br>Duty cycle : Cont.(S1)<br>Ambient temperature : -20°C to +40°C<br>Altitude : 1000 m.a.s.l.<br>Protection degree : IP55<br>Cooling method : IC411 - TEFC<br>Mounting : F-1<br>Rotation <sup>1</sup> : Both (CW and CCW)<br>Noise level <sup>2</sup> : 58.0 dB(A)<br>Starting method : Direct On Line<br>Approx. weight <sup>3</sup> : 229 lb |           |         |          |
| Output   | 25%    50%    75%    100%  |           |         |          |
| Efficiency (%)   | 0.000    90.2    91.0    91.7  |           |         |          |
| Power Factor   | 0.00    0.62    0.75    0.81   |           |         |          |
| Foundation loads   |  |           |         |          |
| Max. traction : 389 lb   |  |           |         |          |
| Max. compression : 618 lb  |  |           |         |          |
| Bearing type   | : <u>Drive end</u> 6308 2RS <u>Non drive end</u> 6207 2RS  |           |         |          |
| Sealing  | : Oil Seal      Lip Seal   |           |         |          |
| Lubrication interval   | : 0 h      0 h   |           |         |          |
| Lubricant amount   | : 0 g      0 g   |           |         |          |
| Lubricant type   | : Mobil Polyrex EM   |           |         |          |
| Notes  |  |           |         |          |
| This revision replaces and cancel the previous one, which must be eliminated.  |  |           |         |          |
| (1) Looking the motor from the shaft end.  |  |           |         |          |
| (2) Measured at 1m and with tolerance of +3dB(A).  |  |           |         |          |
| (3) Approximate weight subject to changes after manufacturing process.   |  |           |         |          |
| (4) At 100% of full load.  |  |           |         |          |
| These are average values based on tests with sinusoidal power supply, subject to the tolerances stipulated in NEMA MG-1.   |  |           |         |          |
| Rev.   | Changes Summary  | Performed | Checked | Date     |
| Performed by   |  |           |         |          |
| Checked by   |  |           | Page    | Revision |
| Date   | 12/04/2022   |           | 1 / 7   |          |

# DATA SHEET

## Three Phase Induction Motor - Squirrel Cage



Customer : \_\_\_\_\_

### Thermal protection

| ID | Application | Type                 | Quantity  | Sensing Temperature |
|----|-------------|----------------------|-----------|---------------------|
| 1  | Winding     | Thermostat - 2 wires | 1 x Phase | 155 °C              |

| Rev.         | Changes Summary | Performed | Checked | Date     |
|--------------|-----------------|-----------|---------|----------|
| Performed by |                 |           |         |          |
| Checked by   |                 |           | Page    | Revision |
| Date         | 12/04/2022      |           | 2 / 7   |          |

# TORQUE AND CURRENT VS SPEED CURVE



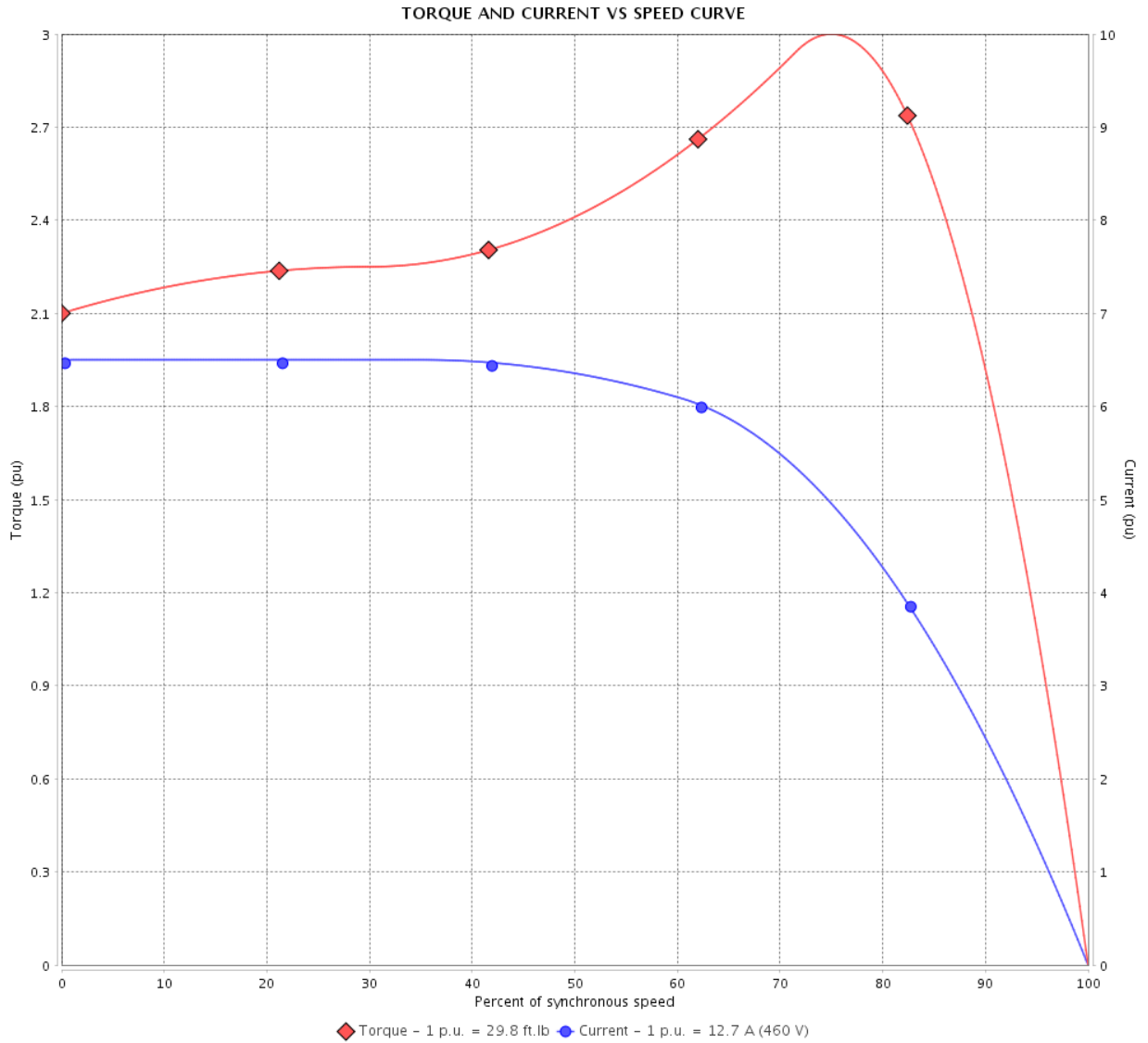
## Three Phase Induction Motor - Squirrel Cage

Customer :

Product line : NEMA Premium Efficiency Three-Phase

Product code : 14284317

Catalog # : 01018XT3E215T



Performance : 208-230/460 V 60 Hz 4P

|                     |                    |                       |                 |
|---------------------|--------------------|-----------------------|-----------------|
| Rated current       | : 28.1-25.4/12.7 A | Moment of inertia (J) | : 1.34 sq.ft.lb |
| LRC                 | : 6.5              | Duty cycle            | : Cont.(S1)     |
| Rated torque        | : 29.8 ft.lb       | Insulation class      | : F             |
| Locked rotor torque | : 210 %            | Service factor        | : 1.15          |
| Breakdown torque    | : 300 %            | Temperature rise      | : 80 K          |
| Rated speed         | : 1765 rpm         | Design                | : B             |

Locked rotor time : 27s (cold) 15s (hot)

| Rev.         | Changes Summary | Performed | Checked       | Date     |
|--------------|-----------------|-----------|---------------|----------|
|              |                 |           |               |          |
| Performed by |                 |           | Page<br>3 / 7 | Revision |
| Checked by   |                 |           |               |          |
| Date         | 12/04/2022      |           |               |          |

# LOAD PERFORMANCE CURVE

Three Phase Induction Motor - Squirrel Cage



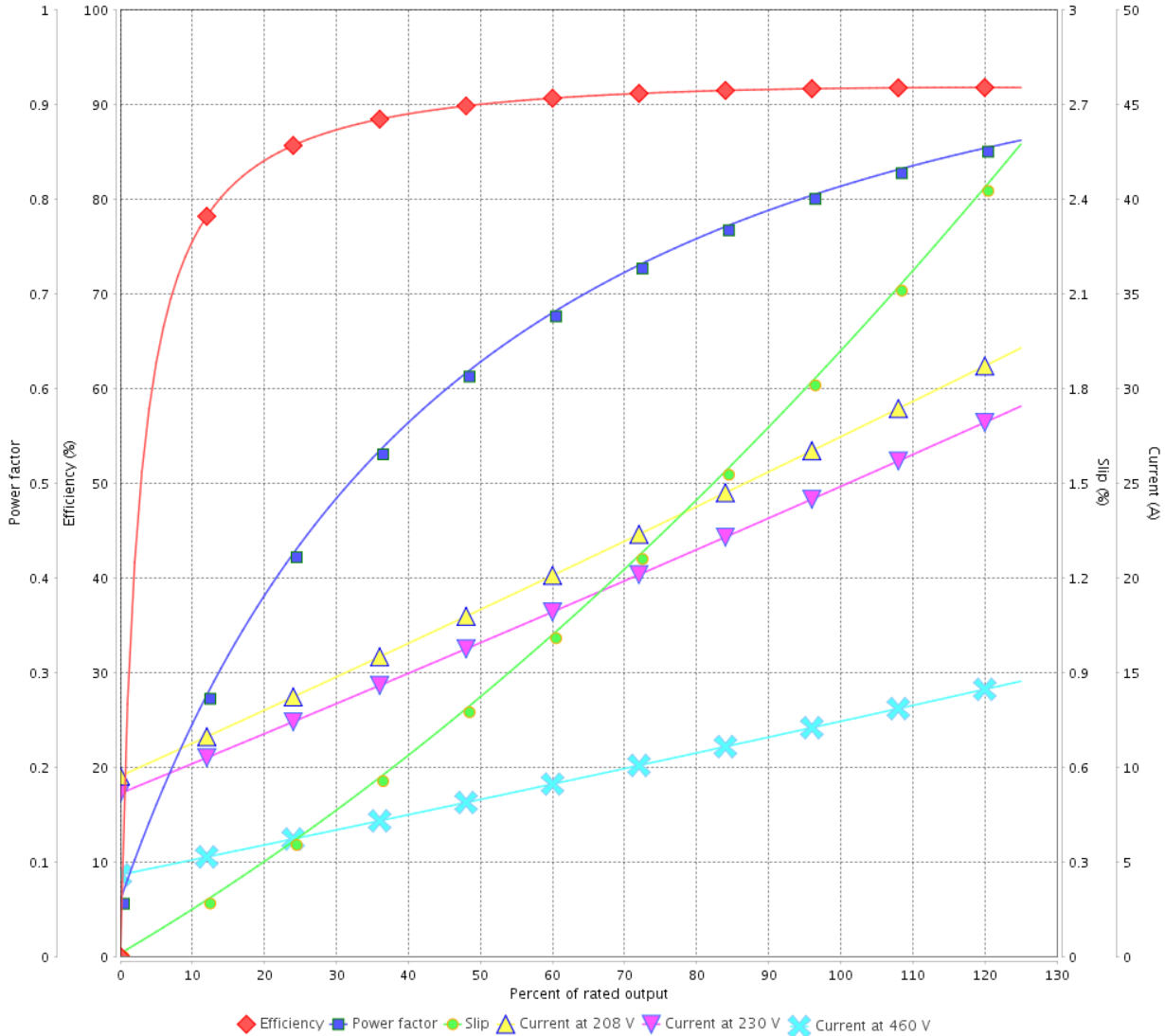
Customer :

Product line : NEMA Premium Efficiency Three-Phase

Product code : 14284317

Catalog # : 01018XT3E215T

LOAD PERFORMANCE CURVE



Performance : 208-230/460 V 60 Hz 4P

Rated current : 28.1-25.4/12.7 A  
 LRC : 6.5  
 Rated torque : 29.8 ft.lb  
 Locked rotor torque : 210 %  
 Breakdown torque : 300 %  
 Rated speed : 1765 rpm

Moment of inertia (J) : 1.34 sq.ft.lb  
 Duty cycle : Cont.(S1)  
 Insulation class : F  
 Service factor : 1.15  
 Temperature rise : 80 K  
 Design : B

| Rev.         | Changes Summary | Performed | Checked | Date     |
|--------------|-----------------|-----------|---------|----------|
|              |                 |           |         |          |
| Performed by |                 |           | Page    | Revision |
| Checked by   |                 |           | 4 / 7   |          |
| Date         | 12/04/2022      |           |         |          |

# THERMAL LIMIT CURVE

## Three Phase Induction Motor - Squirrel Cage



Customer :

Product line : NEMA Premium Efficiency Three-Phase  
 Product code : 14284317  
 Catalog # : 01018XT3E215T

Performance : 208-230/460 V 60 Hz 4P

|                                  |                                       |
|----------------------------------|---------------------------------------|
| Rated current : 28.1-25.4/12.7 A | Moment of inertia (J) : 1.34 sq.ft.lb |
| LRC : 6.5                        | Duty cycle : Cont.(S1)                |
| Rated torque : 29.8 ft.lb        | Insulation class : F                  |
| Locked rotor torque : 210 %      | Service factor : 1.15                 |
| Breakdown torque : 300 %         | Temperature rise : 80 K               |
| Rated speed : 1765 rpm           | Design : B                            |

Heating constant

Cooling constant

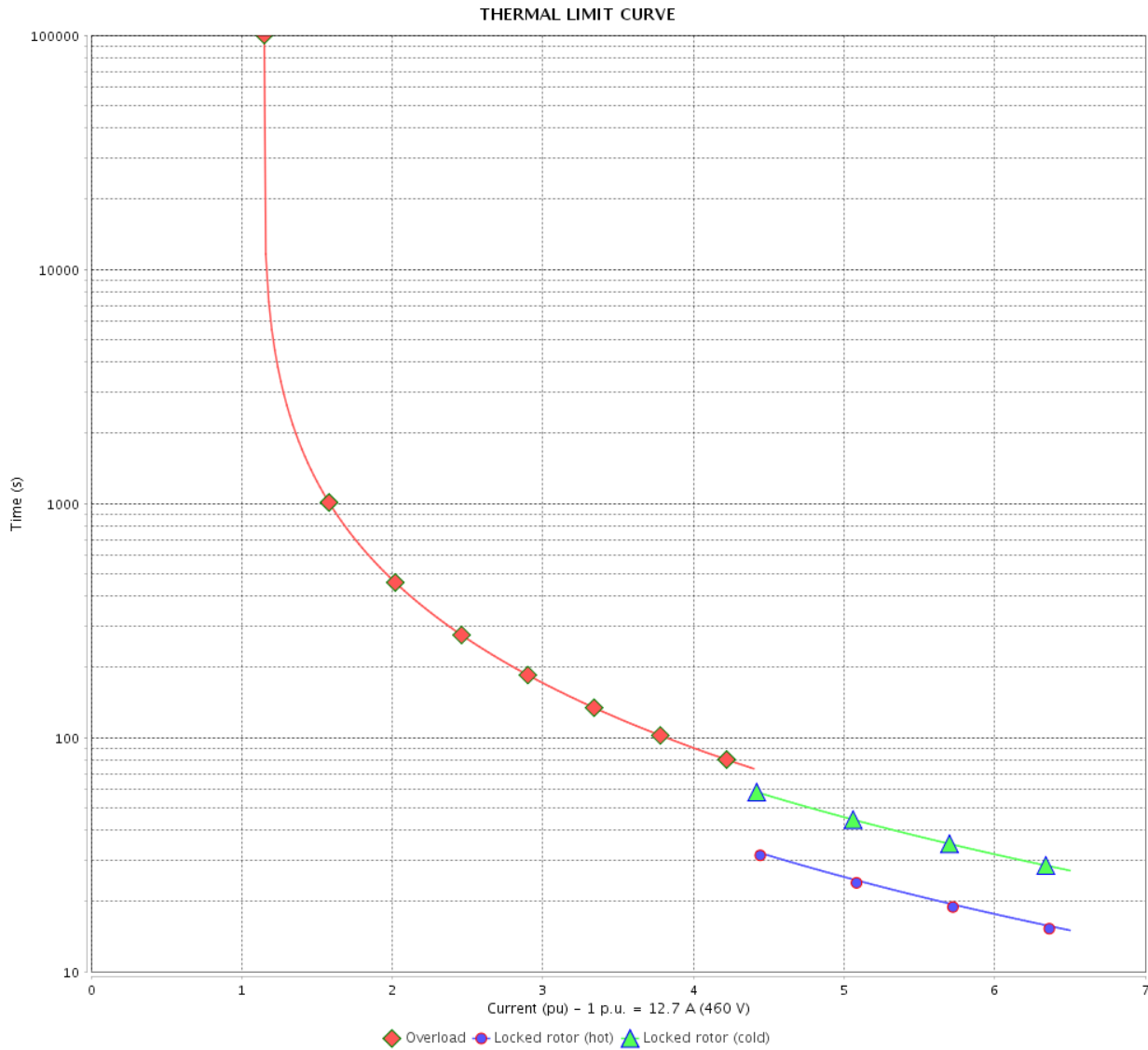
| Rev.         | Changes Summary | Performed | Checked       | Date     |
|--------------|-----------------|-----------|---------------|----------|
|              |                 |           |               |          |
| Performed by |                 |           | Page<br>5 / 7 | Revision |
| Checked by   |                 |           |               |          |
| Date         | 12/04/2022      |           |               |          |

# THERMAL LIMIT CURVE

Three Phase Induction Motor - Squirrel Cage



Customer : \_\_\_\_\_



| Rev.         | Changes Summary | Performed  | Checked | Date     |
|--------------|-----------------|------------|---------|----------|
|              |                 |            |         |          |
| Performed by |                 | Page       |         | Revision |
| Checked by   |                 | 6 / 7      |         |          |
| Date         |                 | 12/04/2022 |         |          |

# VFD OPERATION CURVE

## Three Phase Induction Motor - Squirrel Cage

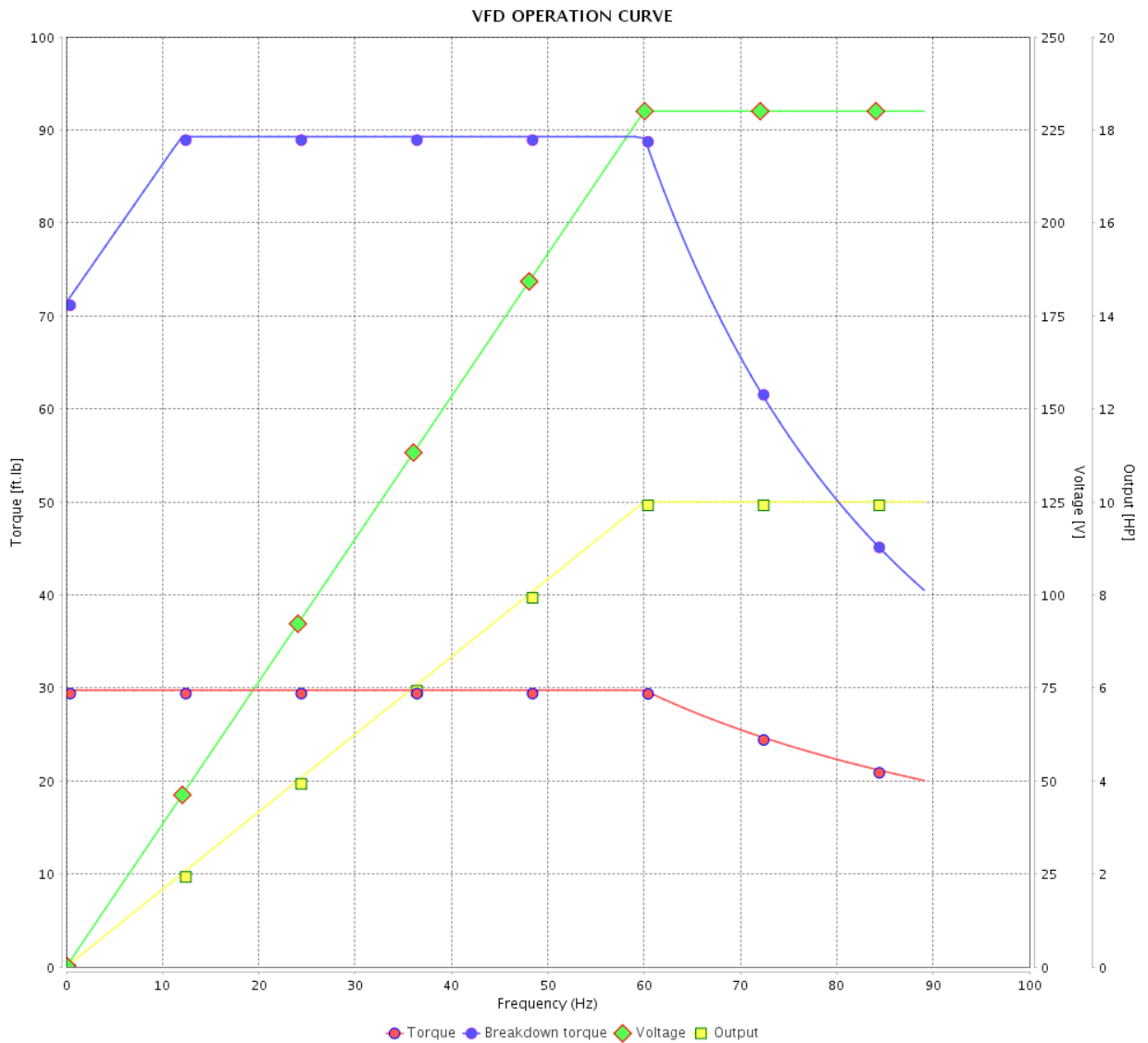


Customer :

Product line : NEMA Premium Efficiency Three-Phase

Product code : 14284317

Catalog # : 01018XT3E215T



Performance : 208-230/460 V 60 Hz 4P

Rated current : 28.1-25.4/12.7 A  
 LRC : 6.5  
 Rated torque : 29.8 ft.lb  
 Locked rotor torque : 210 %  
 Breakdown torque : 300 %  
 Rated speed : 1765 rpm

Moment of inertia (J) : 1.34 sq.ft.lb  
 Duty cycle : Cont.(S1)  
 Insulation class : F  
 Service factor : 1.15  
 Temperature rise : 80 K  
 Design : B

| Rev.         | Changes Summary | Performed | Checked | Date          |
|--------------|-----------------|-----------|---------|---------------|
|              |                 |           |         |               |
| Performed by |                 |           |         | Page<br>7 / 7 |
| Checked by   |                 |           |         |               |
| Date         | 12/04/2022      |           |         |               |

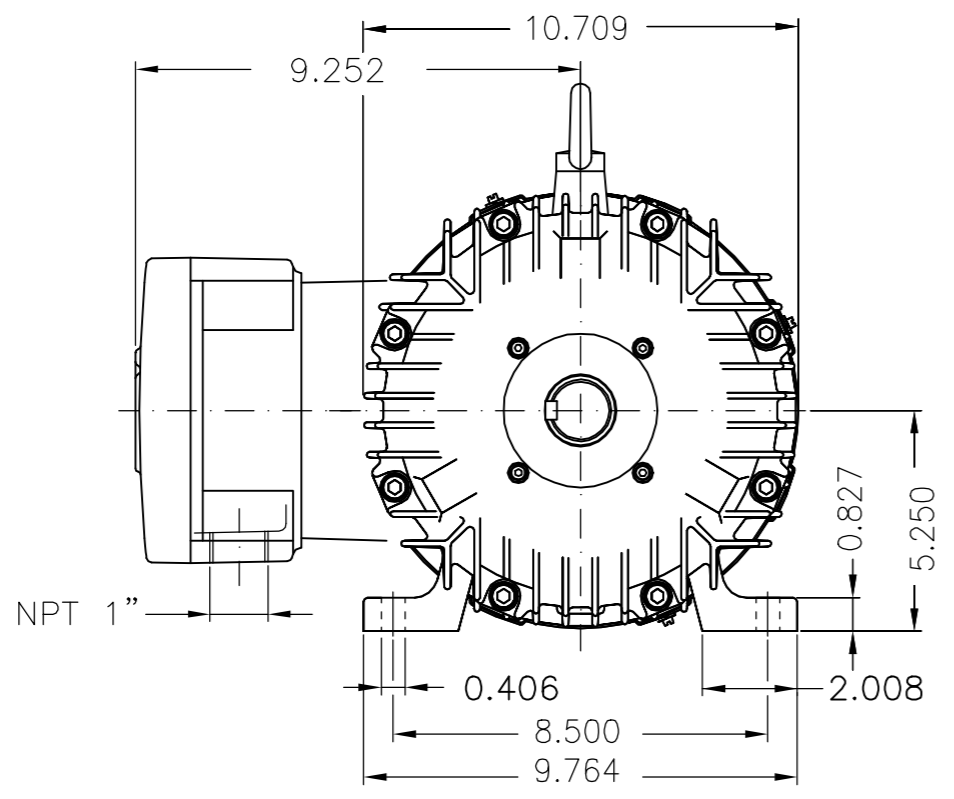
|                   |   |
|-------------------|---|
| EIXO/SHAFT        |   |
| PADRÃO/STANDARD   | X |
| OPCIONAL/OPTIONAL |   |
| ESPECIAL/SPECIAL  |   |

Dimensões em polegada  
Dimensions in inches

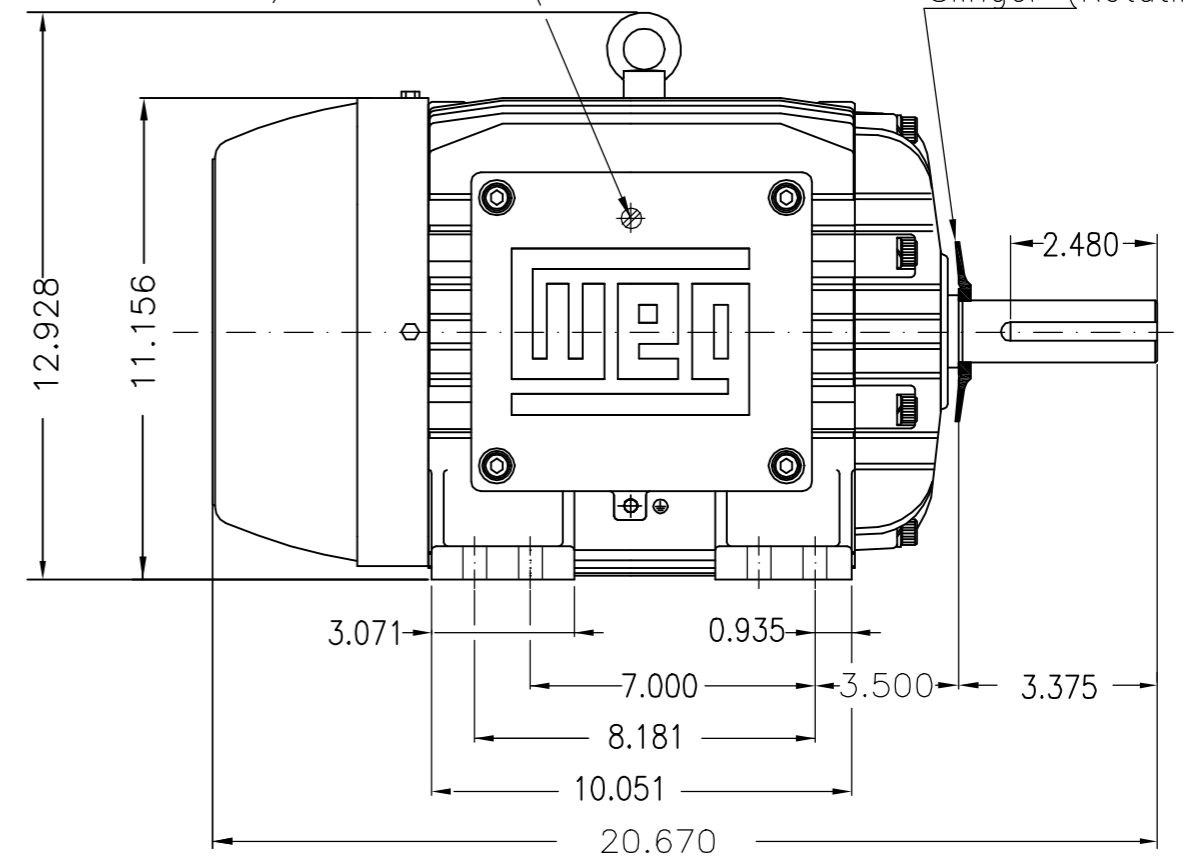
**CERTIFIED WEG MOTORES**  
Certified document.  
Not subject to changes.

THIS IS AN UPDATED REVISION, THE PREVIOUS ONE MUST BE DISREGARDED.

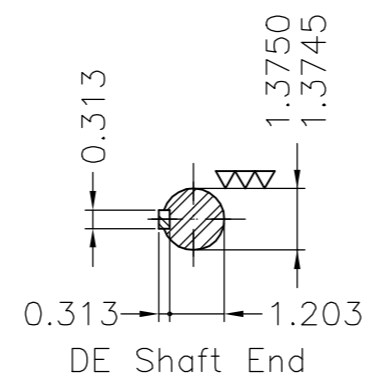
A  
B  
C  
D  
E



Grounding for leads 2-10 mm<sup>2</sup> / 14-7 AWG



Slinger (Rotating Seal)



Caixa de ligação W21 / W21 terminal box  
Cor RAL 5009 / Color RAL 5009  
Plano de pintura 202P / Painting plan 202P  
Forma construtiva NEMA F-1 / Mounting NEMA F-1  
Forma construtiva B3D / Mounting B3R(D)

**WEG ELECTRIC CORPORATION - WEC**

|                  |            |  |                       |                       |                      |              |            |
|------------------|------------|--|-----------------------|-----------------------|----------------------|--------------|------------|
| 500001594952     |            | ALTERADO CONF. CLAIM 415204042                             | RICLAV                | DALTONR               | DALTONR              | 24.05.2019   | 03         |
| 500001427824     |            | REMOVED HIDDEN NOTE CODE 485                               | ERIC                  | MENSOR                | MENSOR               | 13.03.2018   | 02         |
| ECM<br>ECM       | LOC<br>LOC | RESUMO MODIFICAÇÃO<br>SUMMARY OF MODIFICATIONS             | EXECUTADO<br>EXECUTED | VERIFICADO<br>CHECKED | LIBERADO<br>RELEASED | DATA<br>DATE | VER<br>VER |
| EXEC. /EXECUTED  | NSCHMIDT   | THREE-PHASE EXPLOSION PROOF MOTOR<br>FRAME L215T IP55 TEFC | 10005474634           |                       |                      |              |            |
| VERIF. /CHECKED  | DANIELAW   |  | 000                   | 03                    |                      |              |            |
| LIBER. /RELEASED | DANIELAW   |  |                       |                       |                      |              |            |
| DATA LB /REL DT  | 18.01.2018 | WMO  | Jaraguá do Sul        | Product Engineering   | FOLHA/SHEET          | 1 / 1        |            |

10 HP 04 Poles 60Hz 414924097/1

UNCONTROLLED COPY  
RELEASED  
ZME A3