

# DATA SHEET

## Three Phase Induction Motor - Squirrel Cage



Customer :		
Product line	: NEMA Premium Efficiency Three-Phase	
Product code :	14284622	
Catalog # :	01018XT3ER215TC	
Frame	: L215TC	
Insulation class	: F	
Duty cycle	: Cont.(S1)	
Ambient temperature	: -20°C to +40°C	
Altitude	: 1000 m.a.s.l.	
Protection degree	: IP55	
Design	: B	
Cooling method	: IC411 - TEFC	
Mounting	: W-6	
Rotation <sup>1</sup>	: Both (CW and CCW)	
Starting method	: Direct On Line	
Approx. weight <sup>2</sup>	: 229 lb	
Moment of inertia (J)		
Output [HP]	10	
Poles	4	
Frequency [Hz]	50	
Rated voltage [V]	380	
Rated current [A]	15.3	
L. R. Amperes [A]	87.2	
LRC [A]	5.7x(Code G)	
No load current [A]	5.30	
Rated speed [RPM]	1450	
Slip [%]	3.33	
Rated torque [ft.lb]	36.2	
Locked rotor torque [%]	165	
Breakdown torque [%]	220	
Service factor	1.00	
Temperature rise	80 K	
Locked rotor time	36s (cold) 20s (hot)	
Noise level <sup>2</sup>	56.0 dB(A)	
Efficiency (%)	25%	0.000
	50%	90.2
	75%	89.5
	100%	88.5
Power Factor	25%	0.00
	50%	0.70
	75%	0.80
	100%	0.84
Bearing type	: <u>Drive end</u> 6308 2RS <u>Non drive end</u> 6207 2RS	
Sealing	: Oil Seal Lip Seal	
Lubrication interval	: 0 h 0 h	
Lubricant amount	: 0 g 0 g	
Lubricant type	: Mobil Polyrex EM	
Foundation loads	Max. traction : 338 lb	
	Max. compression : 568 lb	
Notes		
This revision replaces and cancel the previous one, which must be eliminated. (1) Looking the motor from the shaft end. (2) Measured at 1m and with tolerance of +3dB(A). (3) Approximate weight subject to changes after manufacturing process. (4) At 100% of full load.		
These are average values based on tests with sinusoidal power supply, subject to the tolerances stipulated in NEMA MG-1.		
Rev.	Changes Summary	
Performed by	Performed	
Checked by	Checked	
Date	Date	
12/04/2022		
Page	Revision	
1 /		

# DATA SHEET

## Three Phase Induction Motor - Squirrel Cage



Customer : \_\_\_\_\_

### Thermal protection

ID	Application	Type	Quantity	Sensing Temperature
1	Winding	Thermostat - 2 wires	1 x Phase	155 °C

Rev.	Changes Summary	Performed	Checked	Date
Performed by				
Checked by			Page	Revision
Date	12/04/2022		2 /	

# TORQUE AND CURRENT VS SPEED CURVE



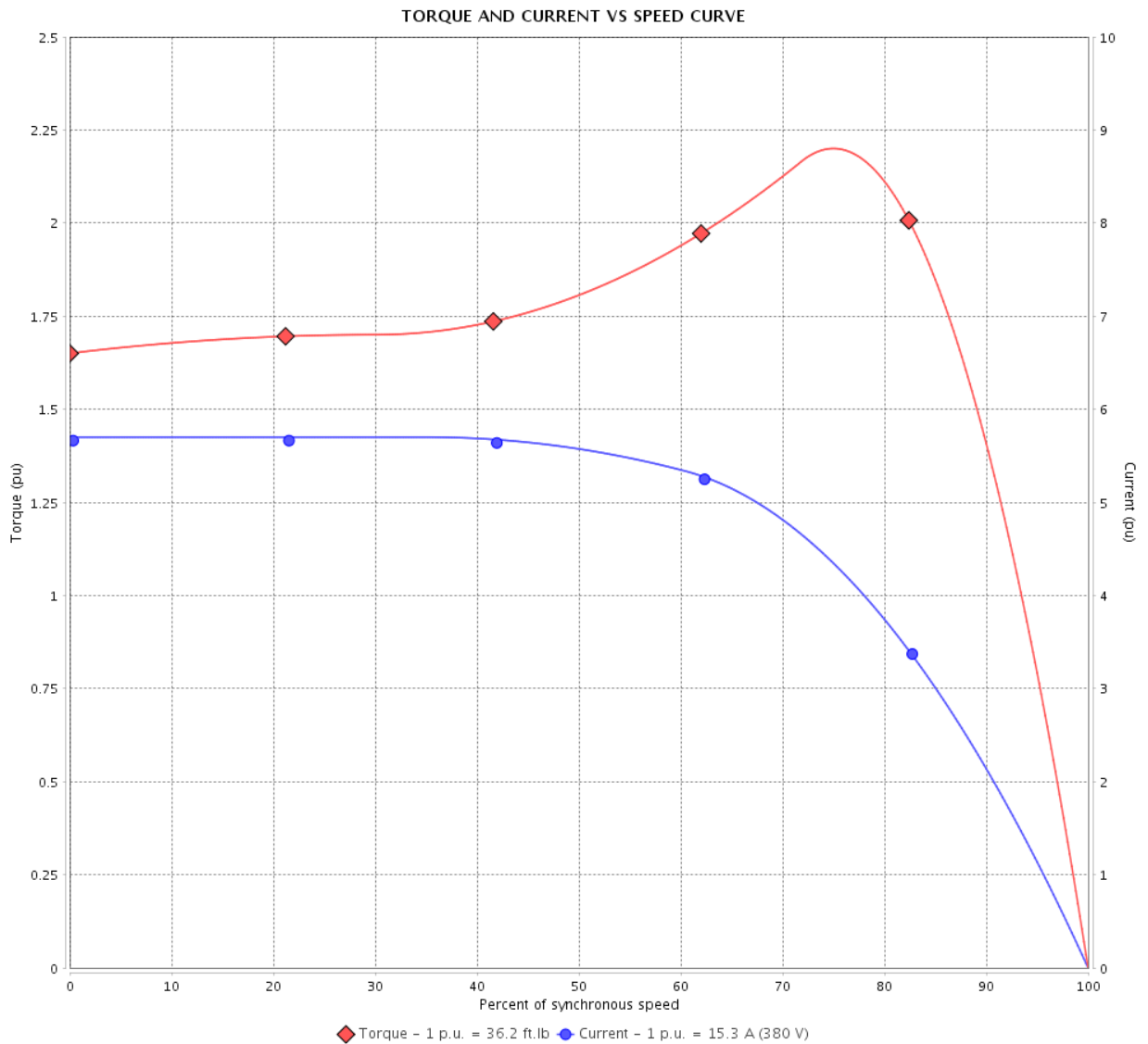
## Three Phase Induction Motor - Squirrel Cage

Customer :

Product line : NEMA Premium Efficiency Three-Phase

Product code : 14284622

Catalog # : 01018XT3ER215TC



Performance : 380 V 50 Hz 4P

Rated current : 15.3 A  
 LRC : 5.7  
 Rated torque : 36.2 ft.lb  
 Locked rotor torque : 165 %  
 Breakdown torque : 220 %  
 Rated speed : 1450 rpm

Moment of inertia (J)  
 Duty cycle : Cont.(S1)  
 Insulation class : F  
 Service factor : 1.00  
 Temperature rise : 80 K  
 Design : B

Locked rotor time : 36s (cold) 20s (hot)

Rev.	Changes Summary	Performed	Checked	Date
Performed by			Page 3 /	Revision
Checked by				
Date	12/04/2022			

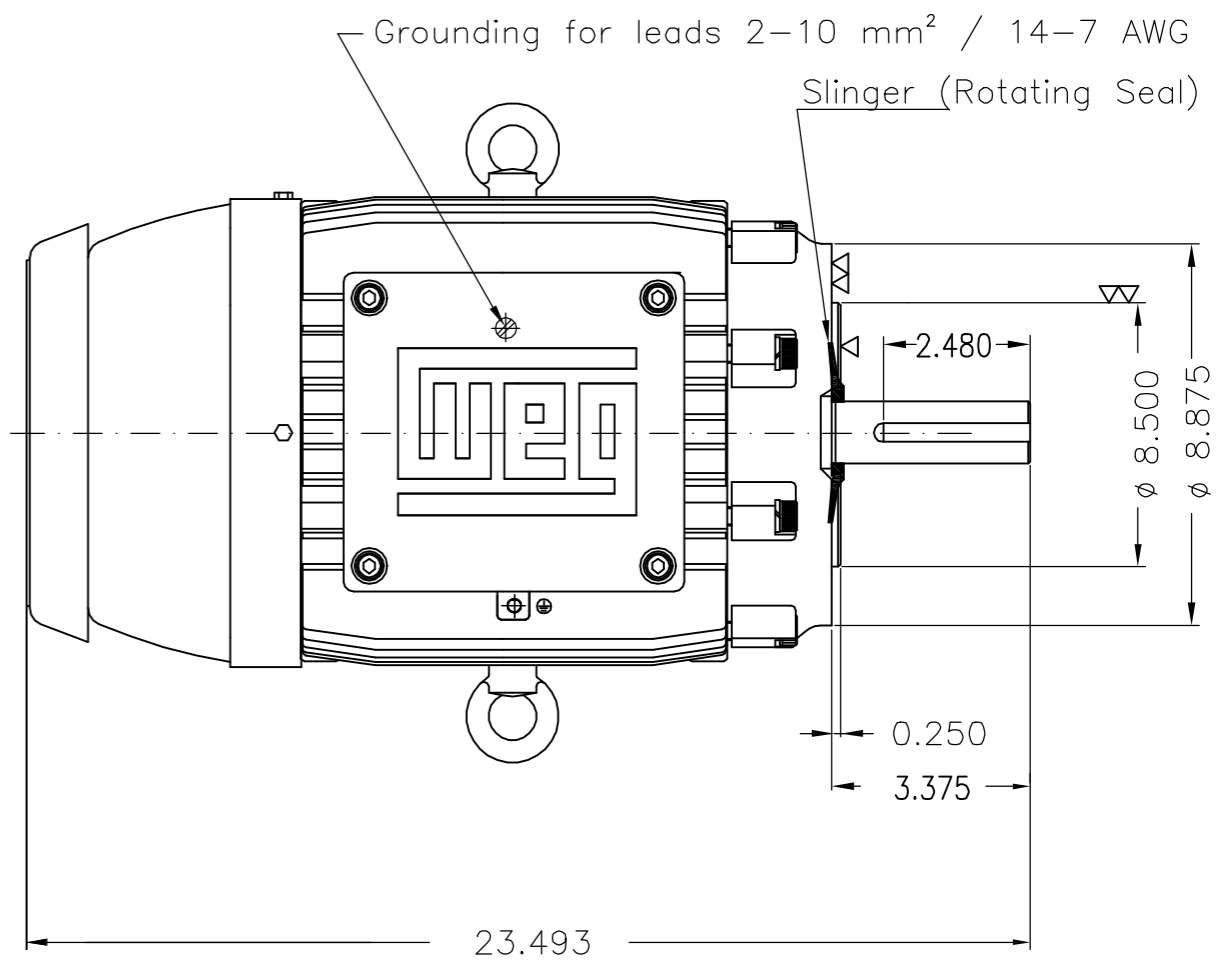
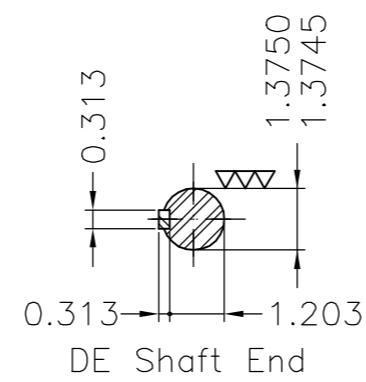
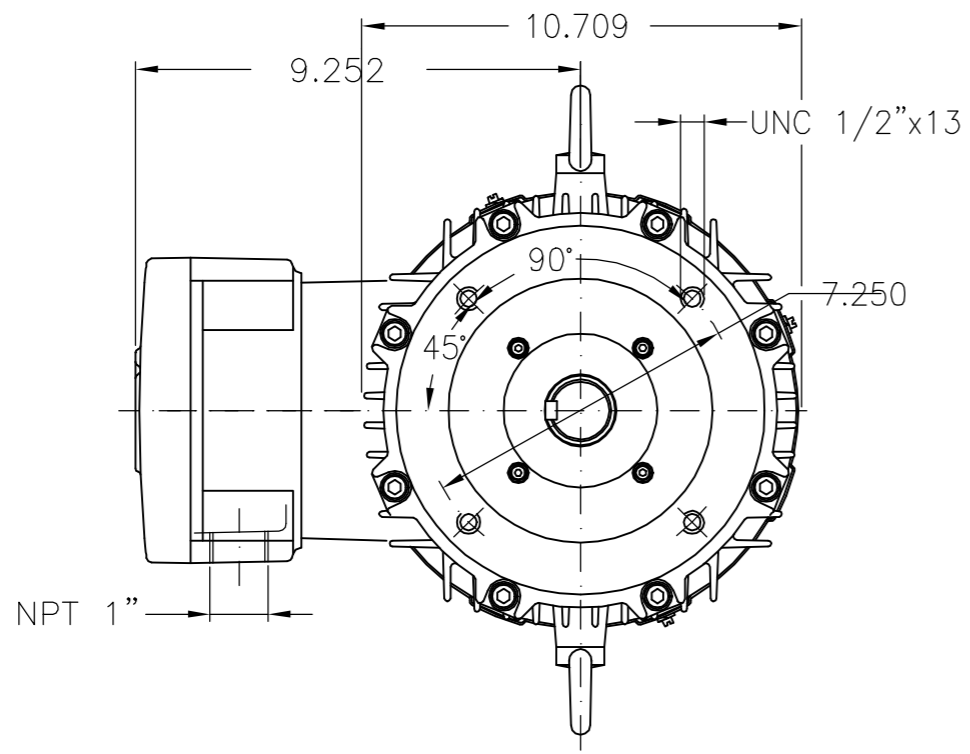
EIXO/SHAFT	
PADRÃO/STANDARD	X
OPCIONAL/OPTIONAL	
ESPECIAL/SPECIAL	

Dimensões em polegada  
Dimensions in inches

**CERTIFIED WEG MOTORES**  
Certified document.  
Not subject to changes.

THIS IS AN UPDATED REVISION, THE PREVIOUS ONE MUST BE DISREGARDED.

A  
B  
C  
D  
E



Caixa de ligação W21 / W21 terminal box						
Cor RAL 5009 / Color RAL 5009						
Plano de pintura 202P / Painting plan 202P						
Forma construtiva NEMA W-6 / Mounting NEMA W-6						
Forma construtiva V18 / Mounting V18						
<b>WEG ELECTRIC CORPORATION - WEC</b>						
500001594952		ALTERADO CONF. CLAIM 415204042	RICLAV		20.05.2019	03
500001427824		REMOVED HIDDEN NOTE CODE 485	ERIC	MENSOR	MENSOR	13.03.2018 02
ECM ECM	LOC LOC	RESUMO MODIFICAÇÃO SUMMARY OF MODIFICATIONS	EXECUTADO EXECUTED	VERIFICADO CHECKED	LIBERADO RELEASED	DATA DATE VER VER
EXEC. /EXECUTED	NSCHMIDT	THREE-PHASE EXPLOSION PROOF MOTOR FRAME L215TC IP55 TEFC	10005474831			
VERIF. /CHECKED			000	03		
LIBER. /RELEASED	DANIELAW					
DATA LB /REL DT	18.01.2018	WMO	Jaraguá do Sul	Product Engineering	FOLHA/SHEET	1 / 1

10 HP 04 Poles 60Hz 414924099/1

UNCONTROLLED COPY RELEASED ZME A3

MADE IN BRAZIL

**W21X NEMA**  
**Premium**

14284622



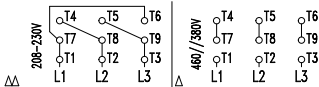
LISTED

CC029A

*Inverter Duty Motor*  
*Severe Duty*

MODEL 01018XT3ER215TC

PH 3	FR L215TC		
HP(kW) 10.0(7.5)		HZ 60	IP55
V 230/460		A 25.4/12.7	
RPM 1765		NEMA NOM EFF 91.7%	
PF 0.81		SFA 29.2/14.6	DES B
INS CL F $\Delta$ T 80 K		SF 1.15	ENCL TEFC
DUTY CONT.		CODE H	ALT 1000 m.a.s.l.
AMB 40°C	USABLE @208V	28.1 A	SF 1.15 SFA 32.3



→ 6308-2RS MOBIL POLYREX EM  
→ 6207-2RS

236 Lbs



TEMP CODE T3C  
CSA/UL: Class I - Div. 1 - Groups C and D  
CSA: Class II - Div. 1 - Groups F and G  
CSA: Class I - Zone 1 - IIB

EXPLOSION PROOF MOTOR

FOR USE ON VPWM VFD 1000:1VT, 20:1CT, 1.0SF, T3C, AMB 40°C.