

# DATA SHEET



## Three Phase Induction Motor - Squirrel Cage

|  |   |      |
|--|---|------|
| Customer :   |   |      |
| Product line   | : JP Pump NEMA Premium Efficiency Three-Phase           |      |
| Product code :   | 14329719  |      |
| Catalog # :  | 01036ET3E215JP-SG                                       |      |
| Frame  | : 213/5JP   |      |
| Insulation class   | : F   |      |
| Duty cycle   | : Cont.(S1)   |      |
| Ambient temperature  | : -20°C to +40°C  |      |
| Altitude   | : 1000 m.a.s.l.   |      |
| Protection degree  | : IP55  |      |
| Design   | : B   |      |
| Cooling method   | : IC411 - TEFC  |      |
| Mounting   | : F-1   |      |
| Rotation <sup>1</sup>  | : Both (CW and CCW)                                     |      |
| Starting method  | : Direct On Line  |      |
| Approx. weight <sup>2</sup>  | : 169 lb  |      |
| Moment of inertia (J)  | : 0.7188 sq.ft.lb                                       |      |
| Output [HP]  | 10  |      |
| Poles  | 2   |      |
| Frequency [Hz]   | 60  |      |
| Rated voltage [V]  | 230/460   |      |
| Rated current [A]  | 23.0/11.5   |      |
| L. R. Amperes [A]  | 173/86.2  |      |
| LRC [A]  | 7.5x(Code H)  |      |
| No load current [A]  | 7.53/3.77   |      |
| Rated speed [RPM]  | 3530  |      |
| Slip [%]   | 1.94  |      |
| Rated torque [ft.lb]   | 14.9  |      |
| Locked rotor torque [%]  | 260   |      |
| Breakdown torque [%]   | 300   |      |
| Service factor   | 1.15  |      |
| Temperature rise   | 80 K  |      |
| Locked rotor time  | 21s (cold) 12s (hot)                                    |      |
| Noise level <sup>2</sup>   | 70.0 dB(A)  |      |
| Efficiency (%)   | 25%   | 89.3 |
|  | 50%   | 89.5 |
|  | 75%   | 90.2 |
|  | 100%  | 90.2 |
| Power Factor   | 25%   | 0.53 |
|  | 50%   | 0.80 |
|  | 75%   | 0.88 |
|  | 100%  | 0.91 |
| Bearing type   | : <u>Drive end</u> 6209 ZZ <u>Non drive end</u> 6206 ZZ |      |
| Sealing  | : V'Ring Without Bearing Seal                           |      |
| Lubrication interval   | : - -   |      |
| Lubricant amount   | : - -   |      |
| Lubricant type   | : Mobil Polyrex EM                                      |      |
| Foundation loads   | Max. traction : 180 lb                                  |      |
|  | Max. compression : 349 lb                               |      |
| Notes<br>USABLE @208V 25.4A SF 1.00 SFA 25.4A  |   |      |
| This revision replaces and cancel the previous one, which must be eliminated.<br>(1) Looking the motor from the shaft end.<br>(2) Measured at 1m and with tolerance of +3dB(A).<br>(3) Approximate weight subject to changes after manufacturing process.<br>(4) At 100% of full load. |   |      |
| These are average values based on tests with sinusoidal power supply, subject to the tolerances stipulated in NEMA MG-1.   |   |      |
| Rev.   | Changes Summary   |      |
| Performed by   | Performed   |      |
| Checked by   | Checked   |      |
| Date   | 12/04/2022  |      |
| Page   | 1 / 16  |      |
| Revision   |   |      |

# TORQUE AND CURRENT VS SPEED CURVE

## Three Phase Induction Motor - Squirrel Cage



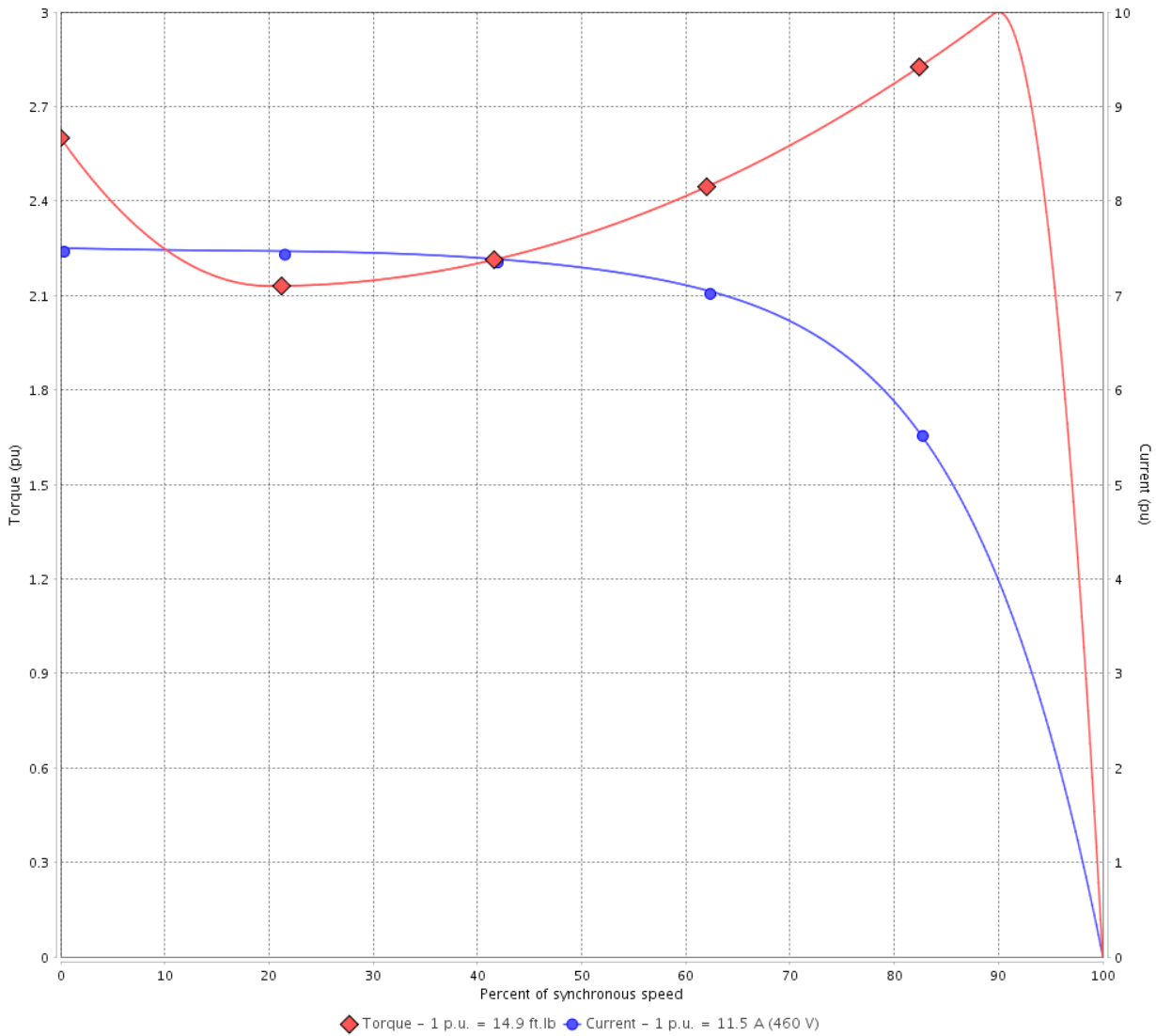
Customer :

Product line : JP Pump NEMA Premium  
Efficiency Three-Phase

Product code : 14329719

Catalog # : 01036ET3E215JP-SG

TORQUE AND CURRENT VS SPEED CURVE



Performance : 230/460 V 60 Hz 2P

|                     |               |                       |                   |
|---------------------|---------------|-----------------------|-------------------|
| Rated current       | : 23.0/11.5 A | Moment of inertia (J) | : 0.7188 sq.ft.lb |
| LRC                 | : 7.5         | Duty cycle            | : Cont.(S1)       |
| Rated torque        | : 14.9 ft.lb  | Insulation class      | : F               |
| Locked rotor torque | : 260 %       | Service factor        | : 1.15            |
| Breakdown torque    | : 300 %       | Temperature rise      | : 80 K            |
| Rated speed         | : 3530 rpm    | Design                | : B               |

Locked rotor time : 21s (cold) 12s (hot)

| Rev.         | Changes Summary | Performed | Checked        | Date     |
|--------------|-----------------|-----------|----------------|----------|
|              |                 |           |                |          |
| Performed by |                 |           | Page<br>2 / 16 | Revision |
| Checked by   |                 |           |                |          |
| Date         | 12/04/2022      |           |                |          |

# TORQUE AND CURRENT VS SPEED CURVE



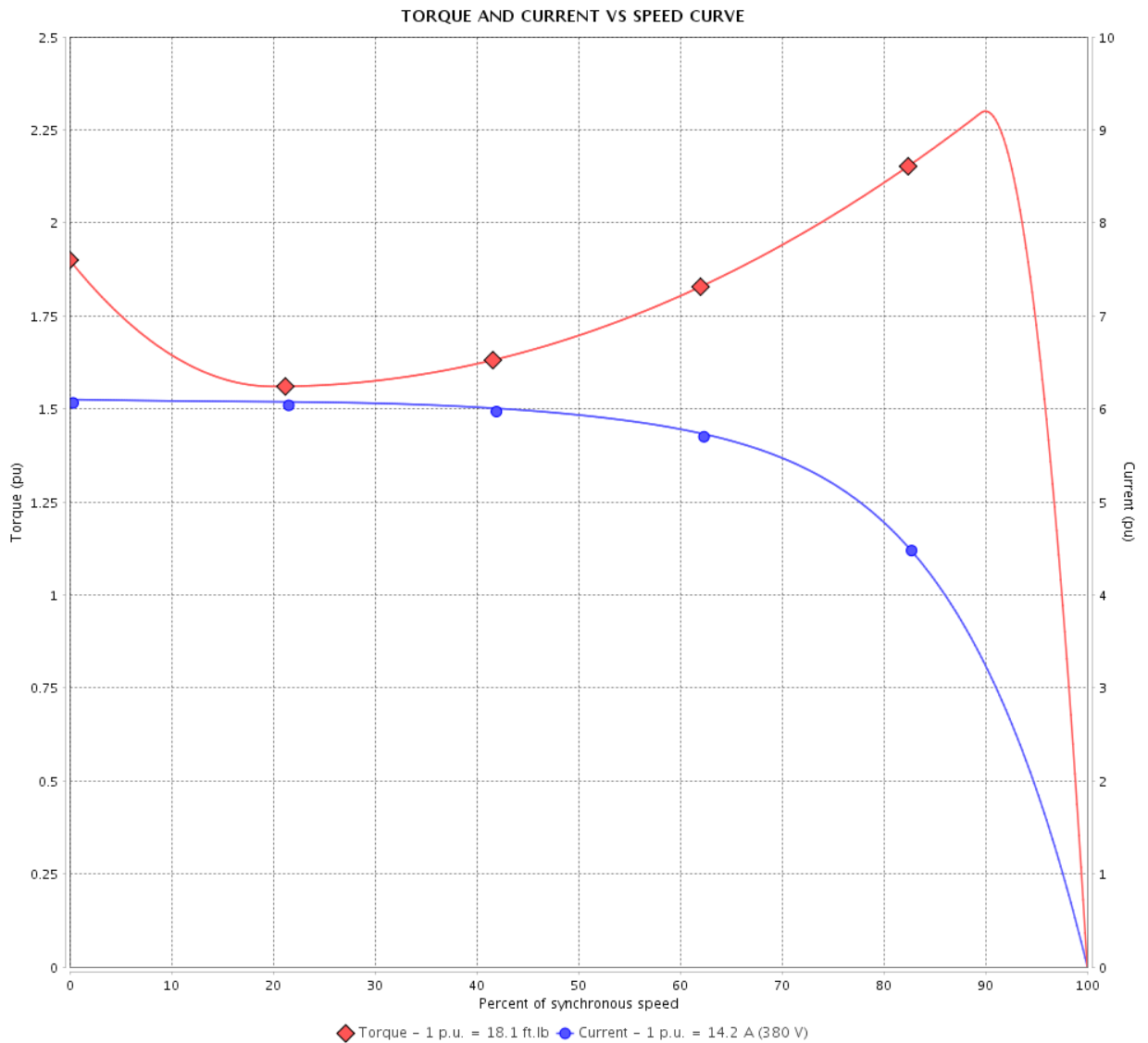
## Three Phase Induction Motor - Squirrel Cage

Customer :

Product line : JP Pump NEMA Premium Efficiency Three-Phase

Product code : 14329719

Catalog # : 01036ET3E215JP-SG



Performance : 190/380 V 50 Hz 2P

Rated current : 28.4/14.2 A  
 LRC : 6.1  
 Rated torque : 18.1 ft.lb  
 Locked rotor torque : 190 %  
 Breakdown torque : 229 %  
 Rated speed : 2900 rpm

Moment of inertia (J) : 0.7188 sq.ft.lb  
 Duty cycle : Cont.(S1)  
 Insulation class : F  
 Service factor : 1.00  
 Temperature rise : 105 K  
 Design : B

Locked rotor time : 0s (cold) 0s (hot)

| Rev.         | Changes Summary | Performed  | Checked | Date     |
|--------------|-----------------|------------|---------|----------|
|              |                 |            |         |          |
| Performed by |                 | Page       |         | Revision |
| Checked by   |                 | 3 / 16     |         |          |
| Date         |                 | 12/04/2022 |         |          |

# TORQUE AND CURRENT VS SPEED CURVE

Three Phase Induction Motor - Squirrel Cage



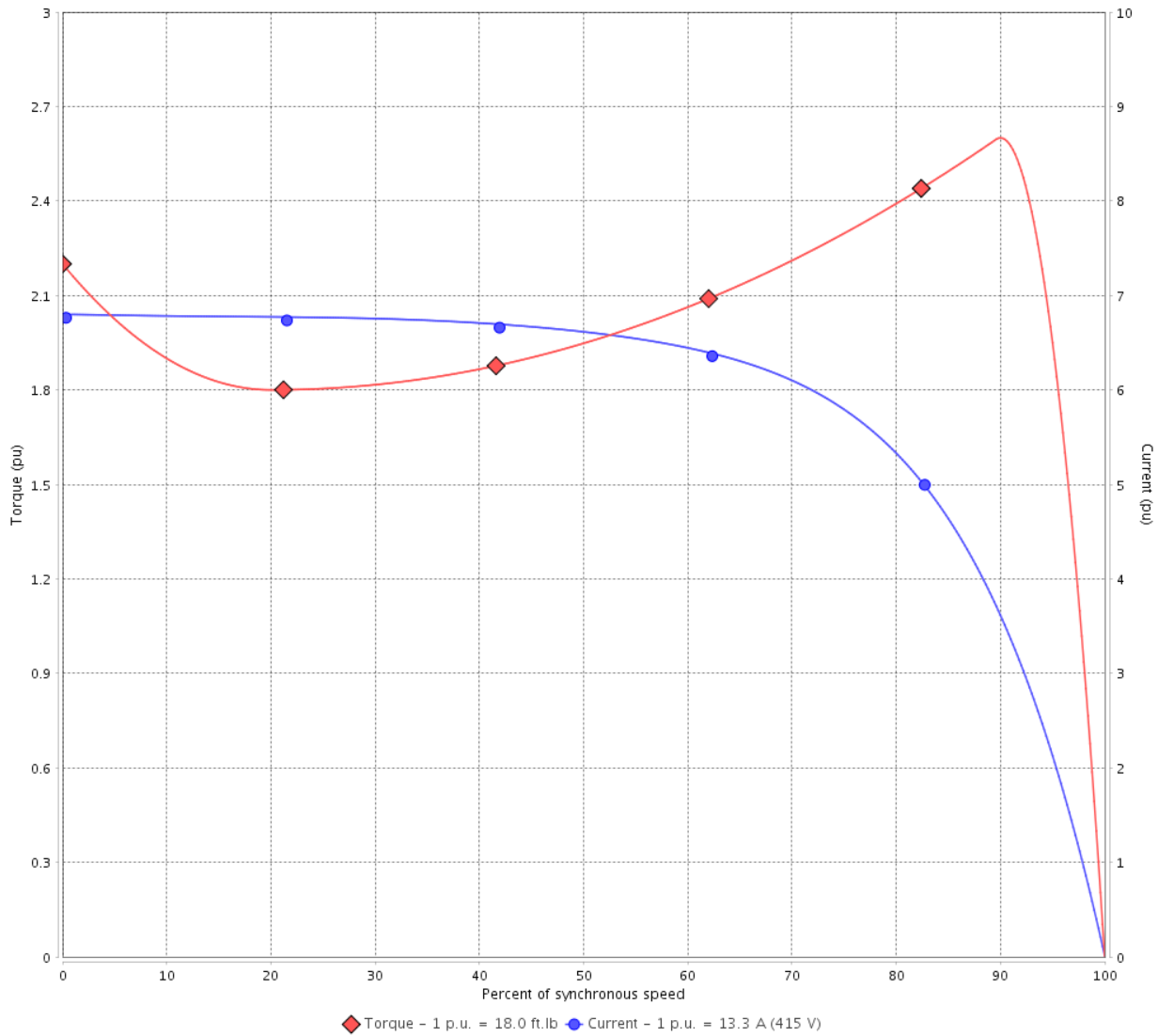
Customer :

Product line : JP Pump NEMA Premium  
Efficiency Three-Phase

Product code : 14329719

Catalog # : 01036ET3E215JP-SG

TORQUE AND CURRENT VS SPEED CURVE



Performance : 220/415 V 50 Hz 2P

|                     |               |                       |                   |
|---------------------|---------------|-----------------------|-------------------|
| Rated current       | : 25.1/13.3 A | Moment of inertia (J) | : 0.7188 sq.ft.lb |
| LRC                 | : 6.8         | Duty cycle            | : Cont.(S1)       |
| Rated torque        | : 18.0 ft.lb  | Insulation class      | : F               |
| Locked rotor torque | : 220 %       | Service factor        | : 1.00            |
| Breakdown torque    | : 260 %       | Temperature rise      | : 105 K           |
| Rated speed         | : 2910 rpm    | Design                | : B               |

Locked rotor time : 0s (cold) 0s (hot)

| Rev.         | Changes Summary | Performed | Checked        | Date     |
|--------------|-----------------|-----------|----------------|----------|
|              |                 |           |                |          |
| Performed by |                 |           | Page<br>4 / 16 | Revision |
| Checked by   |                 |           |                |          |
| Date         | 12/04/2022      |           |                |          |

# LOAD PERFORMANCE CURVE

## Three Phase Induction Motor - Squirrel Cage

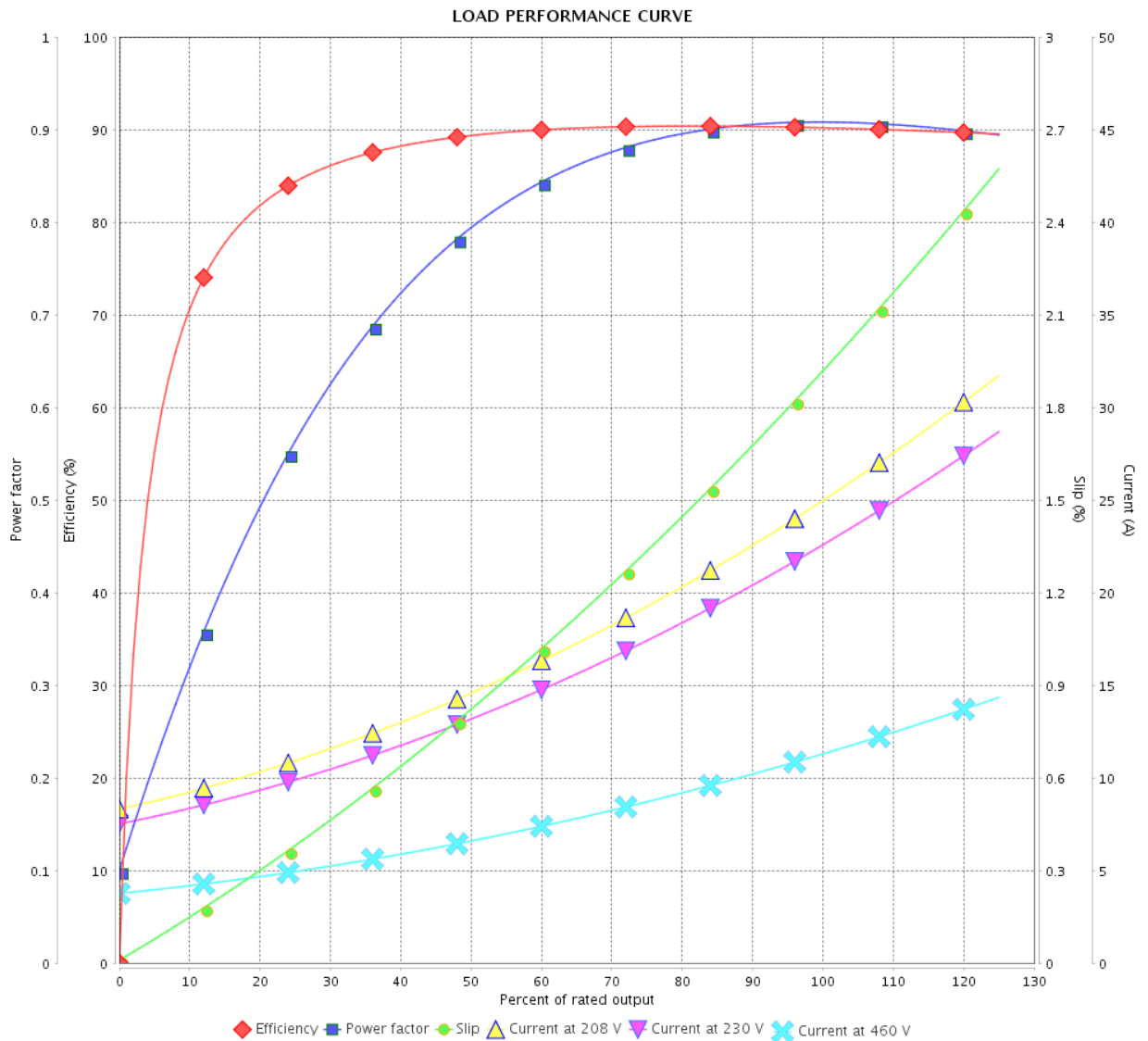


Customer :

Product line : JP Pump NEMA Premium Efficiency Three-Phase

Product code : 14329719

Catalog # : 01036ET3E215JP-SG



Performance : 230/460 V 60 Hz 2P

Rated current : 23.0/11.5 A  
 LRC : 7.5  
 Rated torque : 14.9 ft.lb  
 Locked rotor torque : 260 %  
 Breakdown torque : 300 %  
 Rated speed : 3530 rpm

Moment of inertia (J) : 0.7188 sq.ft.lb  
 Duty cycle : Cont.(S1)  
 Insulation class : F  
 Service factor : 1.15  
 Temperature rise : 80 K  
 Design : B

| Rev.         | Changes Summary | Performed | Checked | Date     |
|--------------|-----------------|-----------|---------|----------|
|              |                 |           |         |          |
| Performed by |                 |           | Page    | Revision |
| Checked by   |                 |           |         |          |
| Date         |                 |           |         |          |

# LOAD PERFORMANCE CURVE

Three Phase Induction Motor - Squirrel Cage



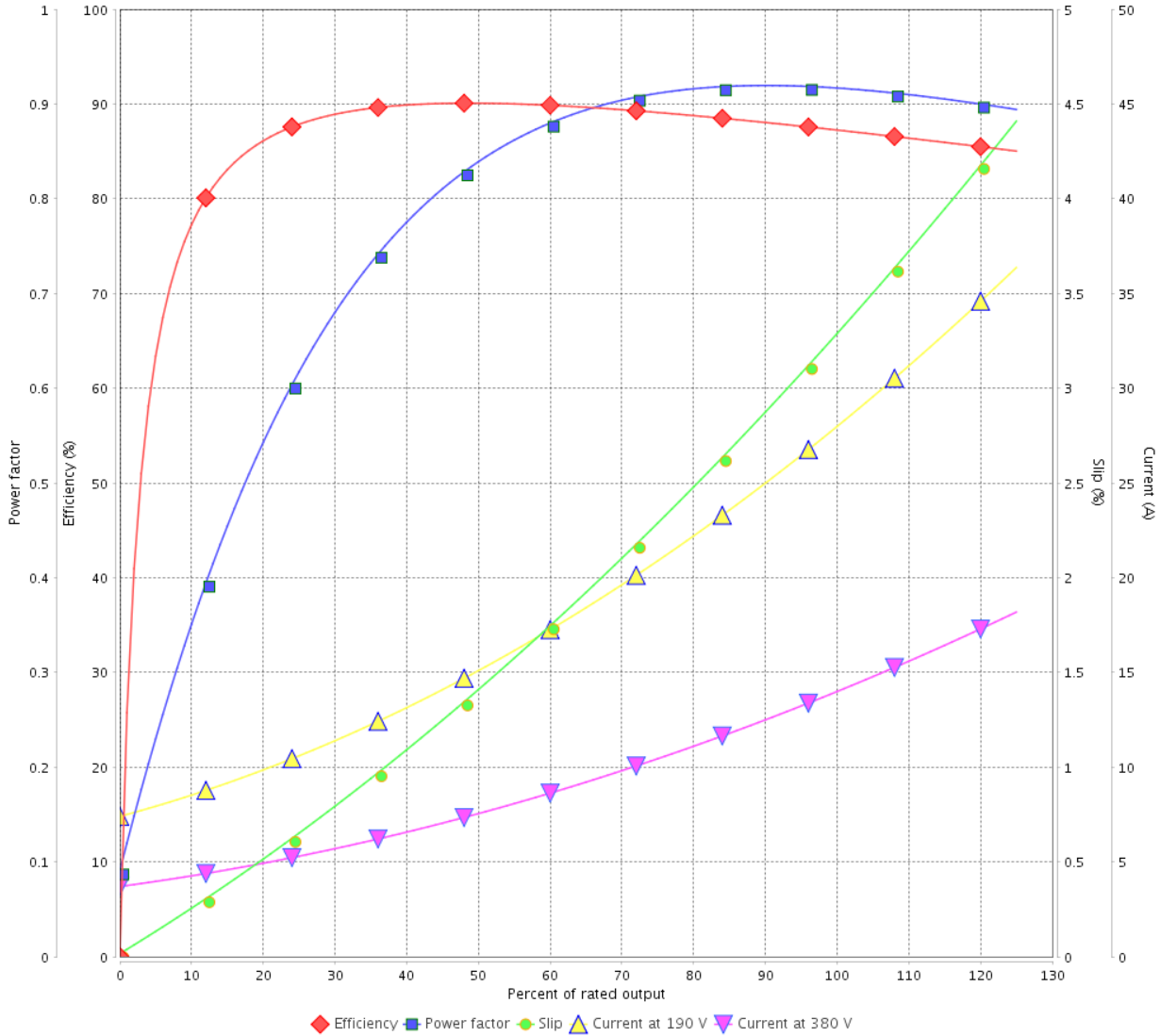
Customer :

Product line : JP Pump NEMA Premium  
Efficiency Three-Phase

Product code : 14329719

Catalog # : 01036ET3E215JP-SG

LOAD PERFORMANCE CURVE



Performance : 190/380 V 50 Hz 2P

Rated current : 28.4/14.2 A  
LRC : 6.1  
Rated torque : 18.1 ft.lb  
Locked rotor torque : 190 %  
Breakdown torque : 229 %  
Rated speed : 2900 rpm

Moment of inertia (J) : 0.7188 sq.ft.lb  
Duty cycle : Cont.(S1)  
Insulation class : F  
Service factor : 1.00  
Temperature rise : 105 K  
Design : B

| Rev.         | Changes Summary | Performed | Checked | Date     |
|--------------|-----------------|-----------|---------|----------|
|              |                 |           |         |          |
| Performed by |                 |           | Page    | Revision |
| Checked by   |                 |           |         |          |
| Date         |                 |           |         |          |

# LOAD PERFORMANCE CURVE

## Three Phase Induction Motor - Squirrel Cage

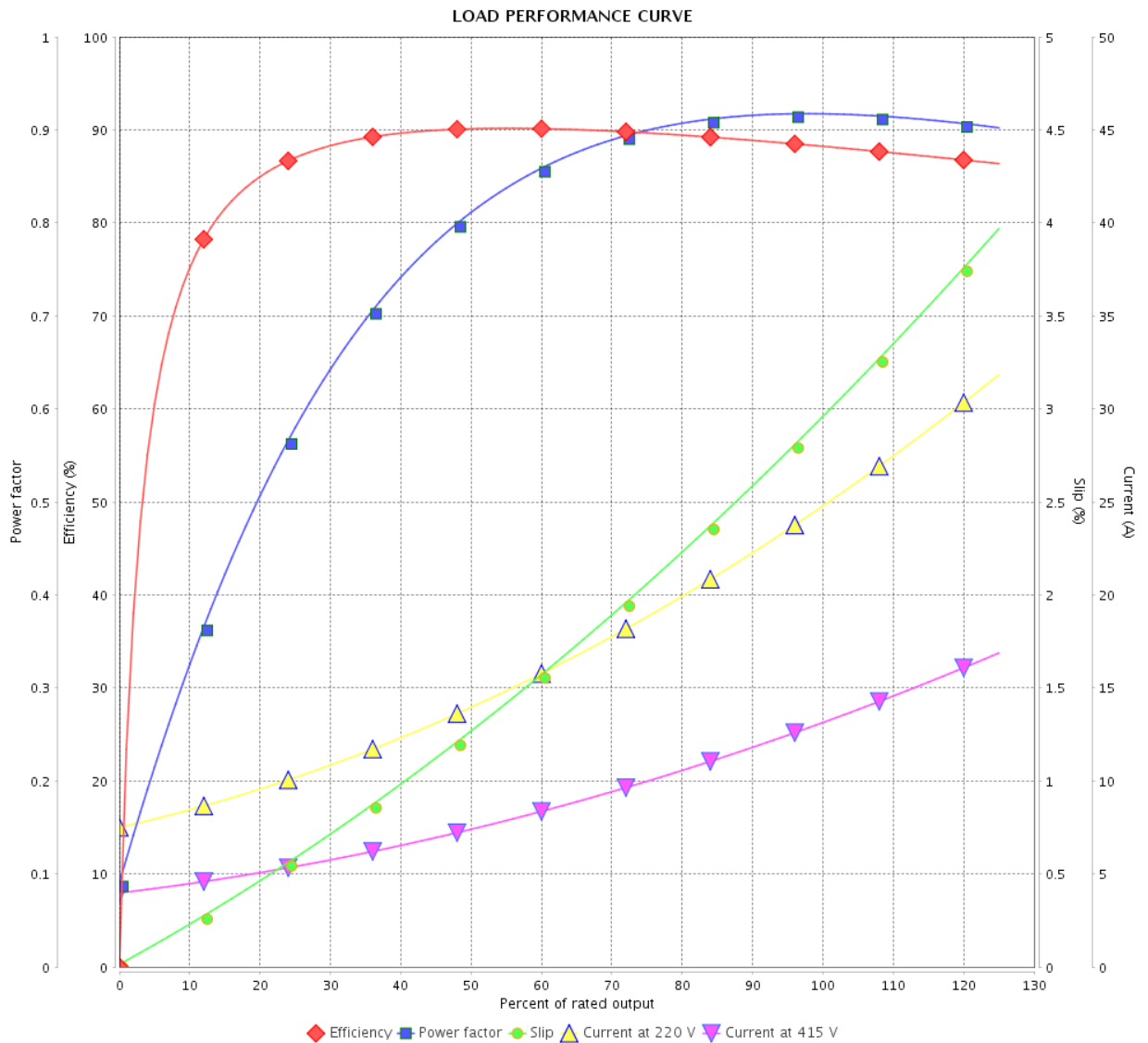


Customer : \_\_\_\_\_

Product line : JP Pump NEMA Premium  
Efficiency Three-Phase

Product code : 14329719

Catalog # : 01036ET3E215JP-SG



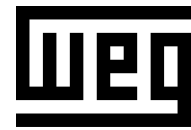
Performance : 220/415 V 50 Hz 2P

Rated current : 25.1/13.3 A  
 LRC : 6.8  
 Rated torque : 18.0 ft.lb  
 Locked rotor torque : 220 %  
 Breakdown torque : 260 %  
 Rated speed : 2910 rpm

Moment of inertia (J) : 0.7188 sq.ft.lb  
 Duty cycle : Cont.(S1)  
 Insulation class : F  
 Service factor : 1.00  
 Temperature rise : 105 K  
 Design : B

| Rev.         | Changes Summary | Performed  | Checked | Date     |
|--------------|-----------------|------------|---------|----------|
|              |                 |            |         |          |
| Performed by |                 | Page       |         | Revision |
| Checked by   |                 | 7 / 16     |         |          |
| Date         |                 | 12/04/2022 |         |          |

# THERMAL LIMIT CURVE



## Three Phase Induction Motor - Squirrel Cage

Customer :

Product line : JP Pump NEMA Premium  
Efficiency Three-Phase

Product code : 14329719

Catalog # : 01036ET3E215JP-SG

Performance : 230/460 V 60 Hz 2P

Rated current : 23.0/11.5 A  
LRC : 7.5  
Rated torque : 14.9 ft.lb  
Locked rotor torque : 260 %  
Breakdown torque : 300 %  
Rated speed : 3530 rpm

Moment of inertia (J) : 0.7188 sq.ft.lb  
Duty cycle : Cont.(S1)  
Insulation class : F  
Service factor : 1.15  
Temperature rise : 80 K  
Design : B

Heating constant

Cooling constant

| Rev.         | Changes Summary | Performed | Checked | Date     |
|--------------|-----------------|-----------|---------|----------|
|              |                 |           |         |          |
| Performed by |                 |           |         |          |
| Checked by   |                 |           | Page    | Revision |
| Date         | 12/04/2022      |           | 8 / 16  |          |

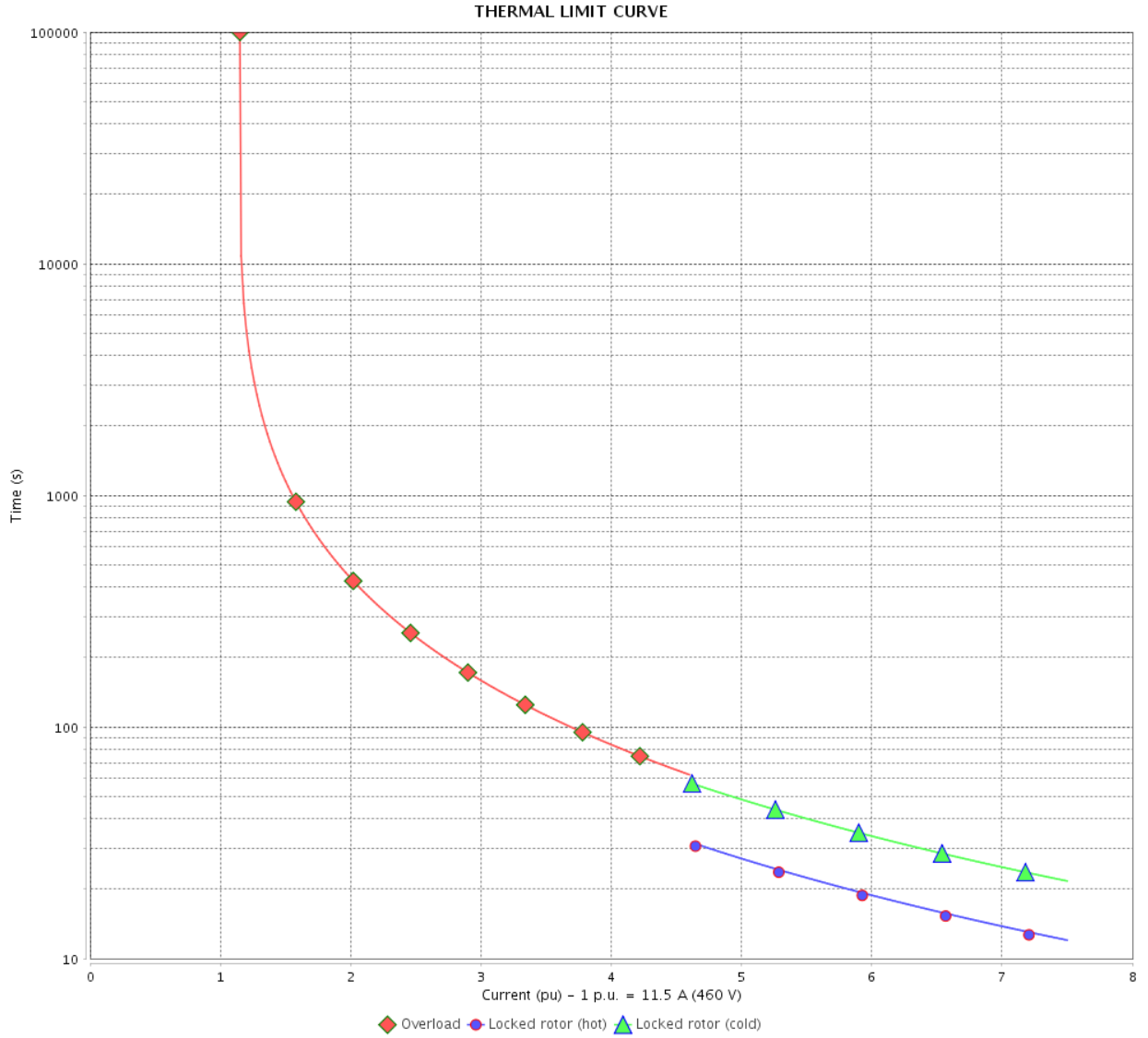


# THERMAL LIMIT CURVE

Three Phase Induction Motor - Squirrel Cage

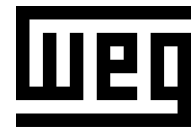


Customer : \_\_\_\_\_



| Rev.         | Changes Summary | Performed  | Checked | Date     |
|--------------|-----------------|------------|---------|----------|
|              |                 |            |         |          |
| Performed by |                 | Page       |         | Revision |
| Checked by   |                 | 9 / 16     |         |          |
| Date         |                 | 12/04/2022 |         |          |

# THERMAL LIMIT CURVE



## Three Phase Induction Motor - Squirrel Cage

Customer :

Product line : JP Pump NEMA Premium  
Efficiency Three-Phase

Product code : 14329719

Catalog # : 01036ET3E215JP-SG

Performance : 190/380 V 50 Hz 2P

Rated current : 28.4/14.2 A  
LRC : 6.1  
Rated torque : 18.1 ft.lb  
Locked rotor torque : 190 %  
Breakdown torque : 229 %  
Rated speed : 2900 rpm

Moment of inertia (J) : 0.7188 sq.ft.lb  
Duty cycle : Cont.(S1)  
Insulation class : F  
Service factor : 1.00  
Temperature rise : 105 K  
Design : B

Heating constant

Cooling constant

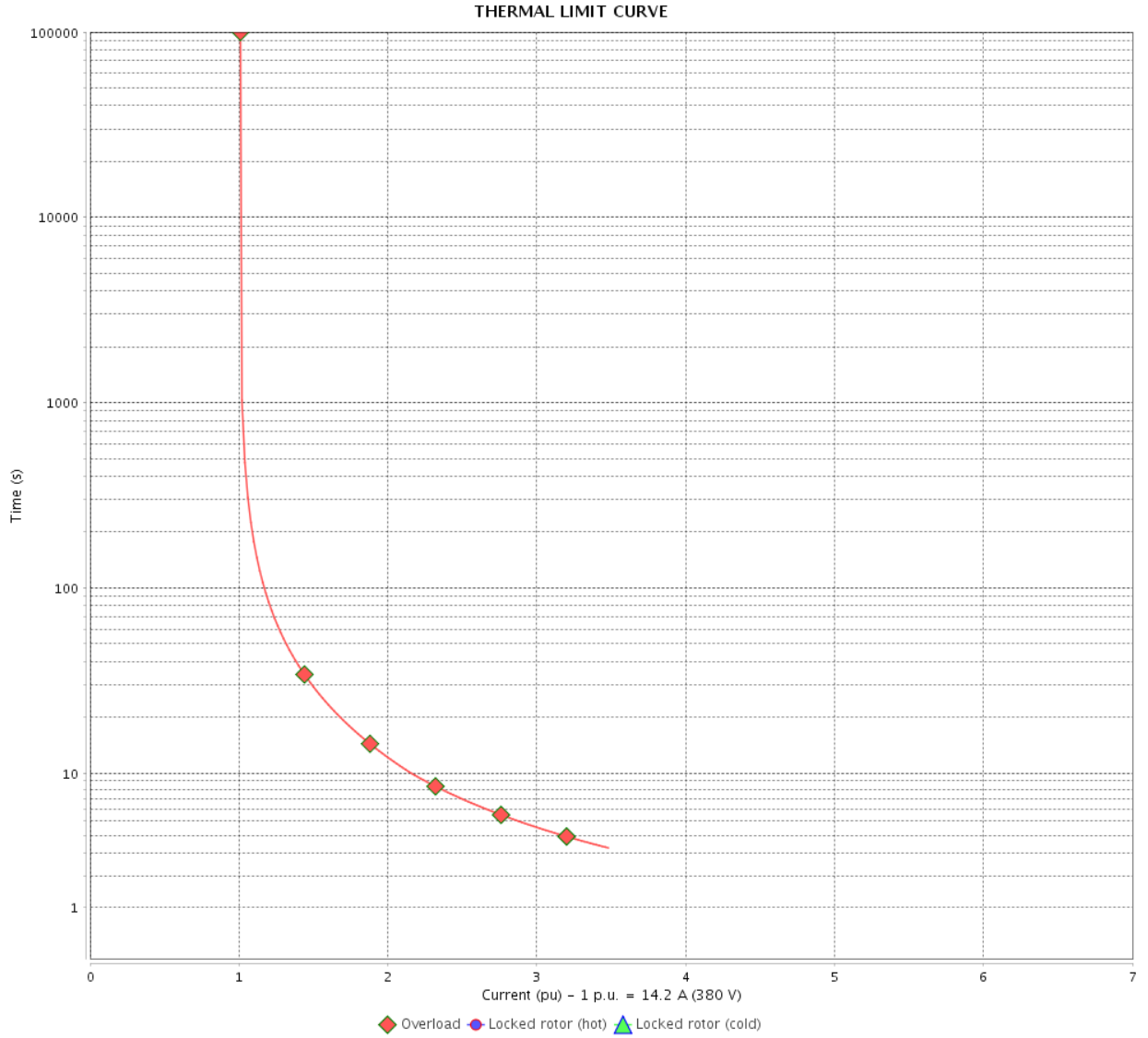
| Rev.         | Changes Summary | Performed | Checked | Date     |
|--------------|-----------------|-----------|---------|----------|
| Performed by |                 |           |         |          |
| Checked by   |                 |           | Page    | Revision |
| Date         | 12/04/2022      |           | 10 / 16 |          |

# THERMAL LIMIT CURVE

Three Phase Induction Motor - Squirrel Cage

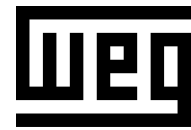


Customer : \_\_\_\_\_



| Rev.         | Changes Summary | Performed  | Checked | Date     |
|--------------|-----------------|------------|---------|----------|
|              |                 |            |         |          |
| Performed by |                 | Page       |         | Revision |
| Checked by   |                 | 11 / 16    |         |          |
| Date         |                 | 12/04/2022 |         |          |

# THERMAL LIMIT CURVE



## Three Phase Induction Motor - Squirrel Cage

Customer :

Product line : JP Pump NEMA Premium  
Efficiency Three-Phase

Product code : 14329719

Catalog # : 01036ET3E215JP-SG

Performance : 220/415 V 50 Hz 2P

Rated current : 25.1/13.3 A  
LRC : 6.8  
Rated torque : 18.0 ft.lb  
Locked rotor torque : 220 %  
Breakdown torque : 260 %  
Rated speed : 2910 rpm

Moment of inertia (J) : 0.7188 sq.ft.lb  
Duty cycle : Cont.(S1)  
Insulation class : F  
Service factor : 1.00  
Temperature rise : 105 K  
Design : B

Heating constant

Cooling constant

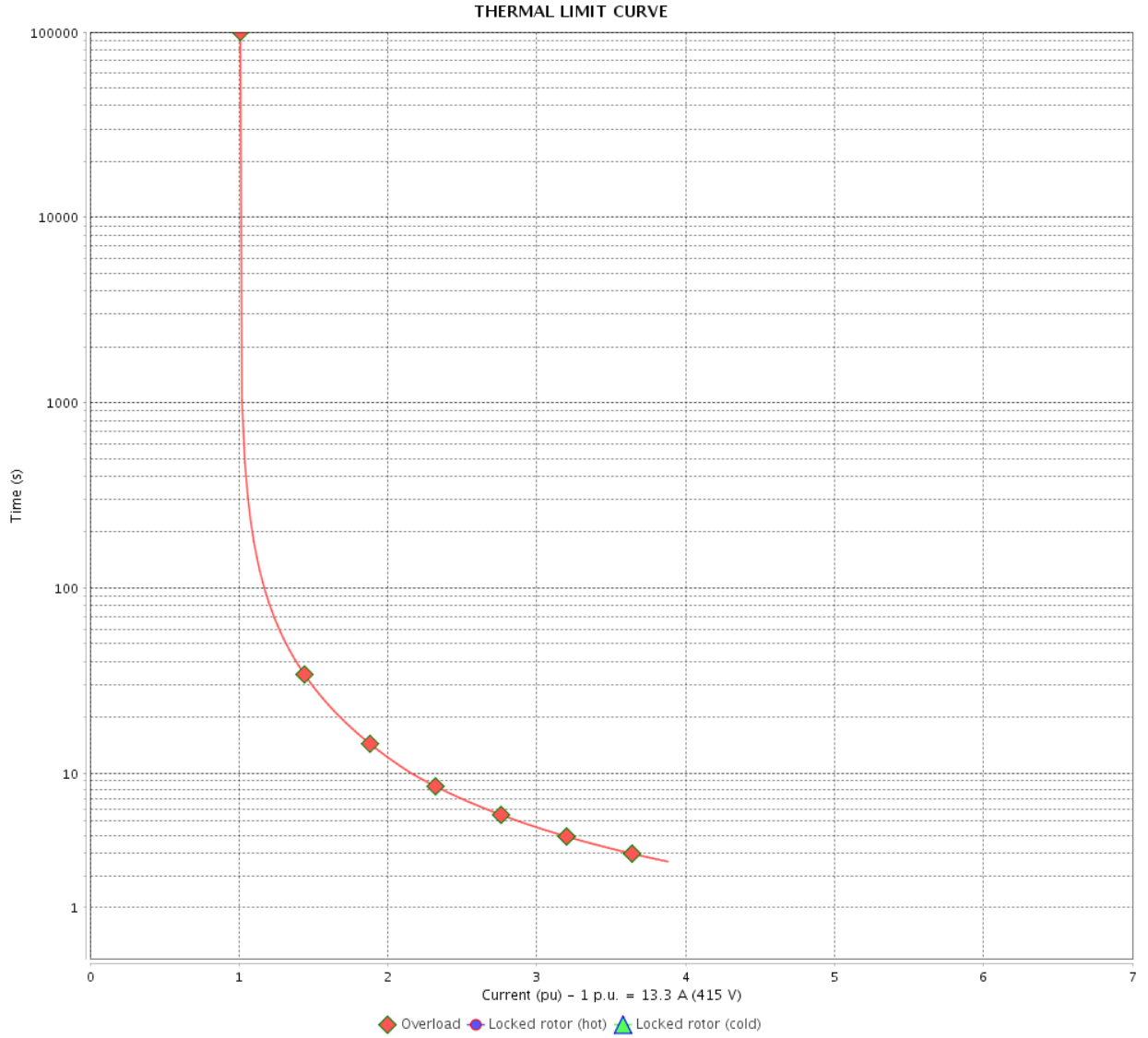
| Rev.         | Changes Summary | Performed | Checked | Date     |
|--------------|-----------------|-----------|---------|----------|
|              |                 |           |         |          |
| Performed by |                 |           |         |          |
| Checked by   |                 |           | Page    | Revision |
| Date         | 12/04/2022      |           | 12 / 16 |          |

# THERMAL LIMIT CURVE

Three Phase Induction Motor - Squirrel Cage



Customer : \_\_\_\_\_



| Rev.         | Changes Summary | Performed  | Checked | Date     |
|--------------|-----------------|------------|---------|----------|
|              |                 |            |         |          |
| Performed by |                 | Page       |         | Revision |
| Checked by   |                 | 13 / 16    |         |          |
| Date         |                 | 12/04/2022 |         |          |

# VFD OPERATION CURVE

Three Phase Induction Motor - Squirrel Cage



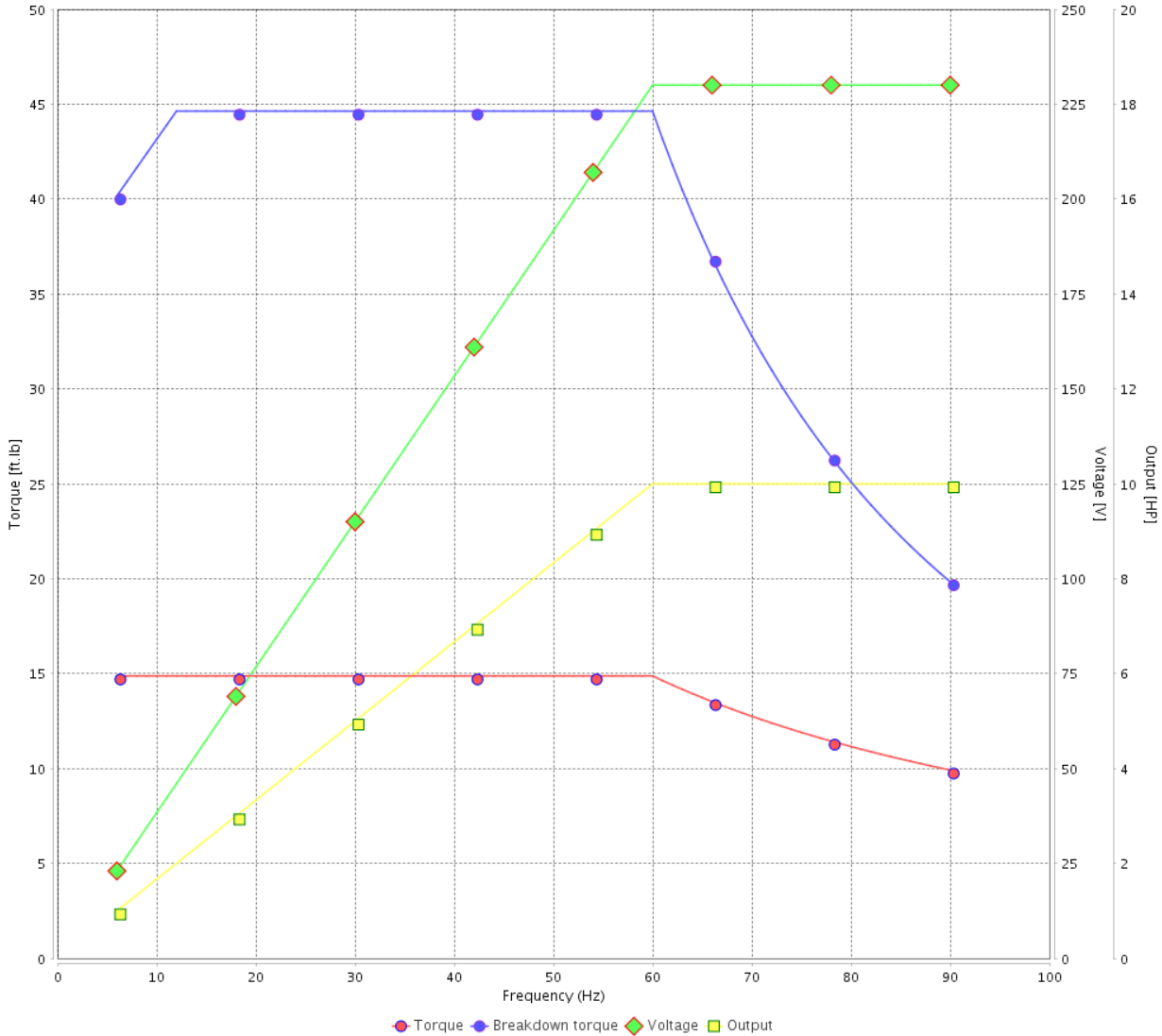
Customer :

Product line : JP Pump NEMA Premium Efficiency Three-Phase

Product code : 14329719

Catalog # : 01036ET3E215JP-SG

VFD OPERATION CURVE



Performance : 230/460 V 60 Hz 2P

Rated current : 23.0/11.5 A  
 LRC : 7.5  
 Rated torque : 14.9 ft.lb  
 Locked rotor torque : 260 %  
 Breakdown torque : 300 %  
 Rated speed : 3530 rpm

Moment of inertia (J) : 0.7188 sq.ft.lb  
 Duty cycle : Cont.(S1)  
 Insulation class : F  
 Service factor : 1.15  
 Temperature rise : 80 K  
 Design : B

| Rev.         | Changes Summary | Performed | Checked         | Date     |
|--------------|-----------------|-----------|-----------------|----------|
|              |                 |           |                 |          |
| Performed by |                 |           | Page<br>14 / 16 | Revision |
| Checked by   |                 |           |                 |          |
| Date         | 12/04/2022      |           |                 |          |

# VFD OPERATION CURVE

## Three Phase Induction Motor - Squirrel Cage

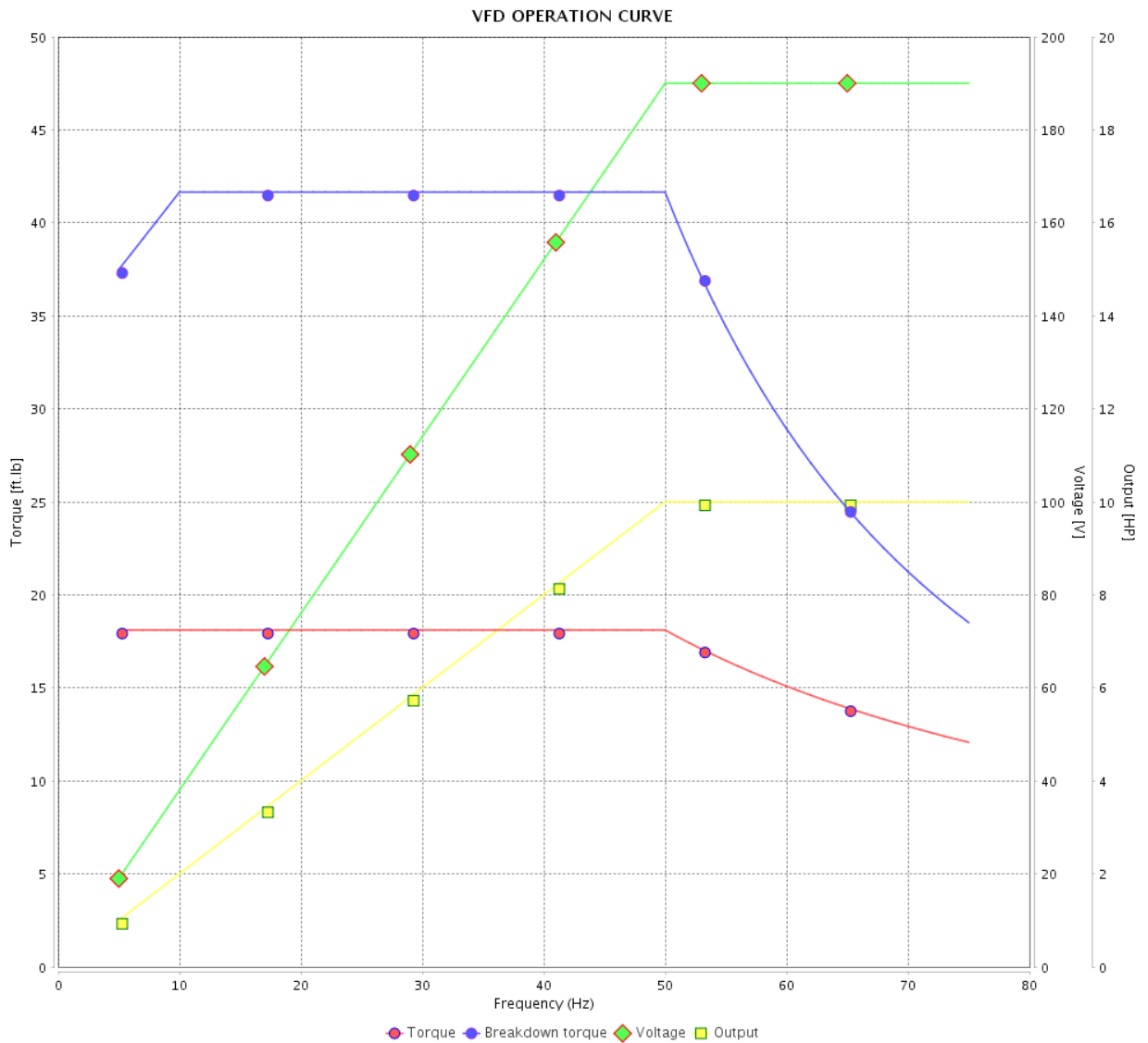


Customer :

Product line : JP Pump NEMA Premium Efficiency Three-Phase

Product code : 14329719

Catalog # : 01036ET3E215JP-SG



Performance : 190/380 V 50 Hz 2P

Rated current : 28.4/14.2 A  
 LRC : 6.1  
 Rated torque : 18.1 ft.lb  
 Locked rotor torque : 190 %  
 Breakdown torque : 229 %  
 Rated speed : 2900 rpm

Moment of inertia (J) : 0.7188 sq.ft.lb  
 Duty cycle : Cont.(S1)  
 Insulation class : F  
 Service factor : 1.00  
 Temperature rise : 105 K  
 Design : B

| Rev.         | Changes Summary | Performed | Checked         | Date     |
|--------------|-----------------|-----------|-----------------|----------|
|              |                 |           |                 |          |
| Performed by |                 |           | Page<br>15 / 16 | Revision |
| Checked by   |                 |           |                 |          |
| Date         | 12/04/2022      |           |                 |          |

# VFD OPERATION CURVE

Three Phase Induction Motor - Squirrel Cage

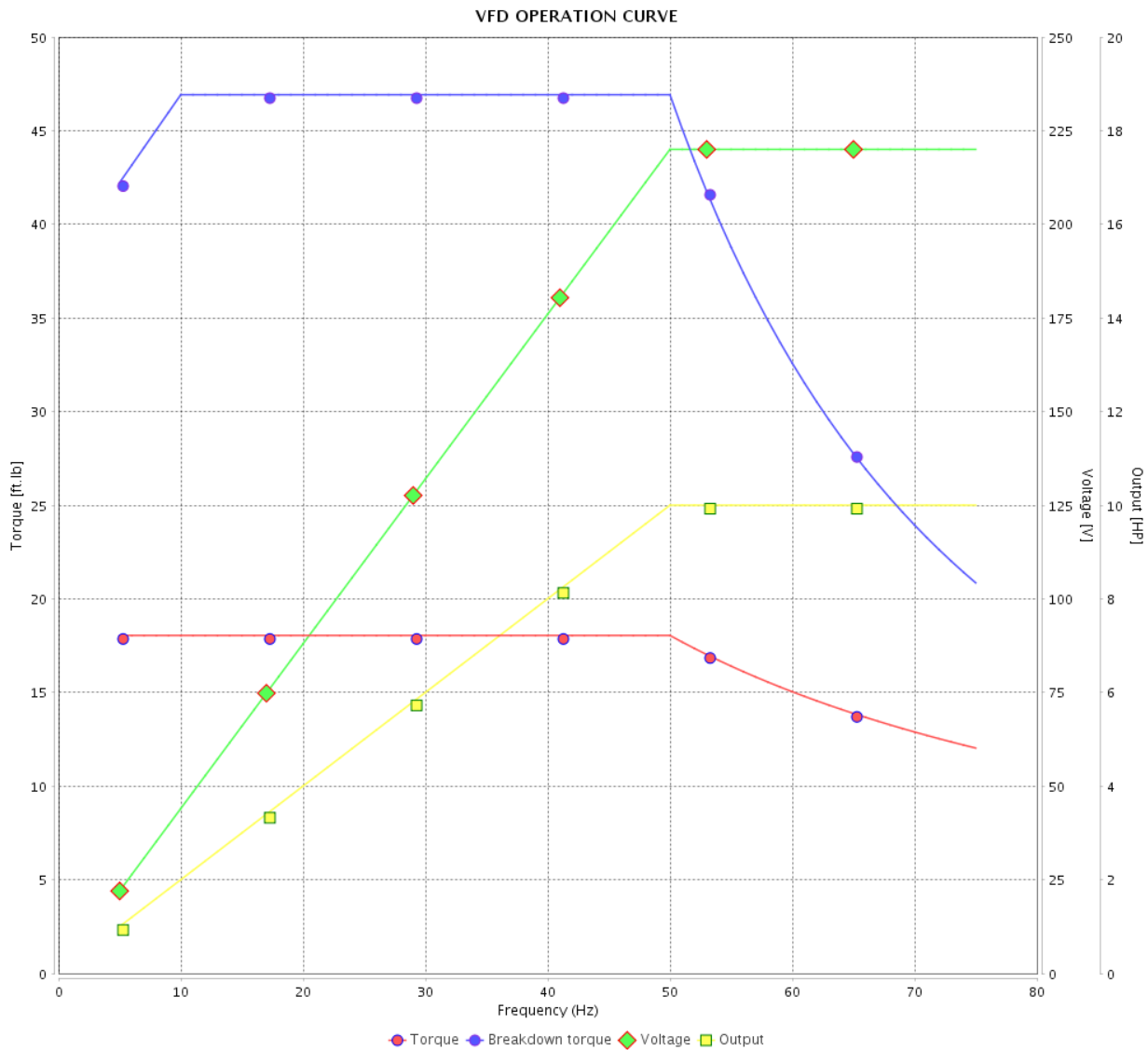


Customer :

Product line : JP Pump NEMA Premium Efficiency Three-Phase

Product code : 14329719

Catalog # : 01036ET3E215JP-SG



Performance : 220/415 V 50 Hz 2P

Rated current : 25.1/13.3 A  
 LRC : 6.8  
 Rated torque : 18.0 ft.lb  
 Locked rotor torque : 220 %  
 Breakdown torque : 260 %  
 Rated speed : 2910 rpm

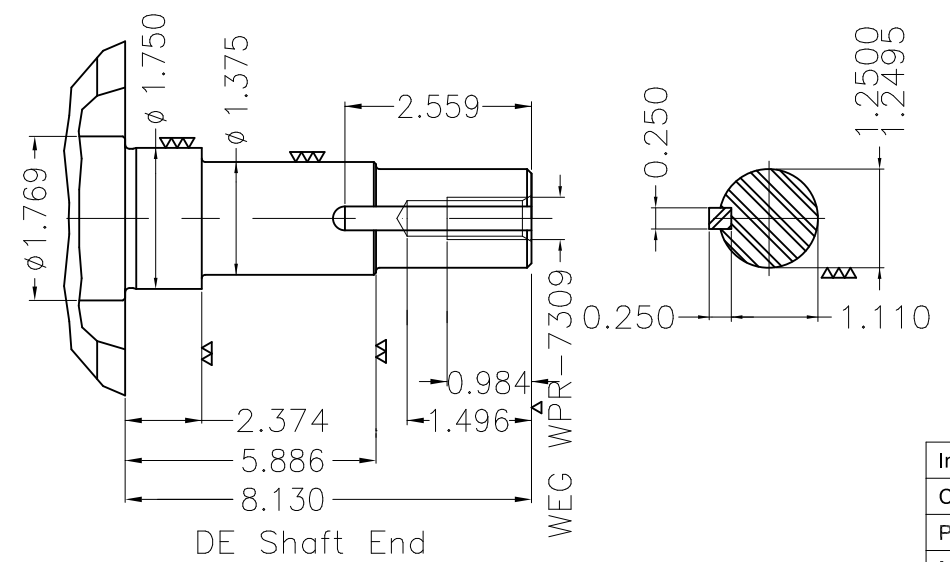
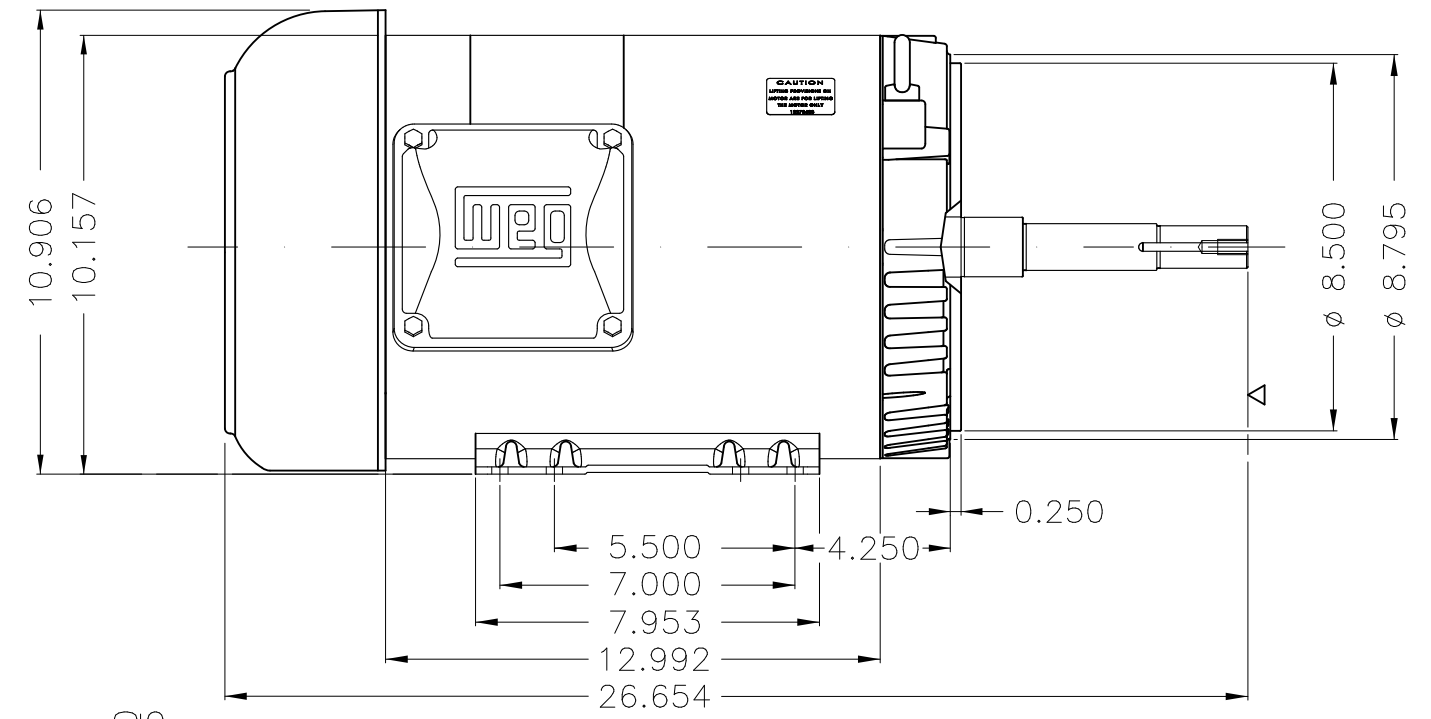
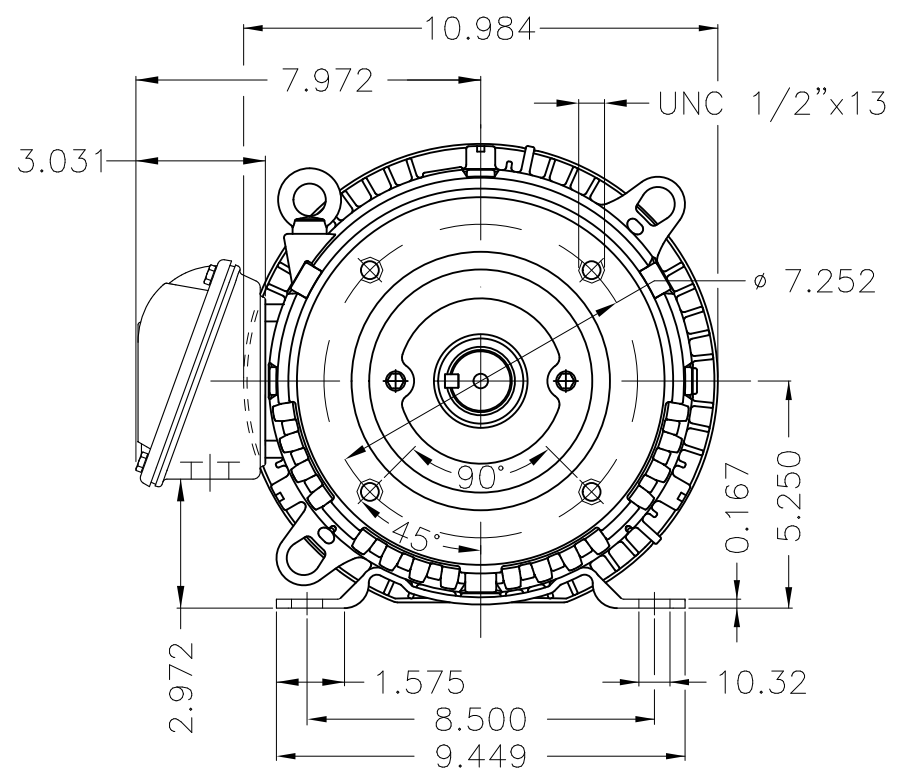
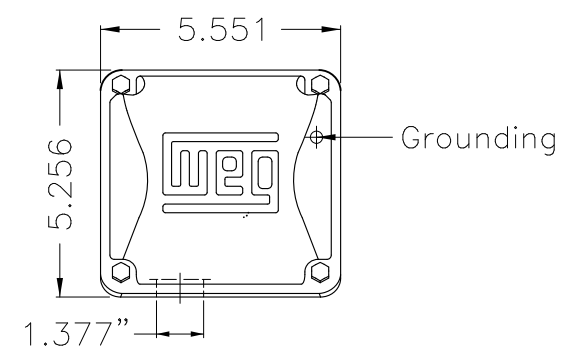
Moment of inertia (J) : 0.7188 sq.ft.lb  
 Duty cycle : Cont.(S1)  
 Insulation class : F  
 Service factor : 1.00  
 Temperature rise : 105 K  
 Design : B

| Rev.         | Changes Summary | Performed | Checked         | Date     |
|--------------|-----------------|-----------|-----------------|----------|
|              |                 |           |                 |          |
| Performed by |                 |           | Page<br>16 / 16 | Revision |
| Checked by   |                 |           |                 |          |
| Date         | 12/04/2022      |           |                 |          |



1 2 3 4 5 6

A  
B  
C  
D  
E



EUNC 1/2"-13 WEG WPR-7309

Internal AEGIS ground ring on the DE  
 Color Munsell N 1 matte black  
 Painting plan 207N  
 Mounting F-1/B34R(D)

| ECM      | LOC      | SUMMARY OF MODIFICATIONS   | EXECUTED            | CHECKED | RELEASED | DATE  | VER |
|----------|----------|--|---------------------|---------|----------|-------|-----|
| EXECUTED | PIRBUSER | THREE PH. MOTOR ROLLED STEEL CLOSE COUPLED PUMP JP 5/5 DE PREM LFA |                     |         |          |       |     |
| CHECKED  |          | FRAME 213/5JP IP55 TEFC  |                     |         |          |       |     |
| RELEASED |          |  |                     |         |          |       |     |
| REL DT.  | WMO      | Jaragua do Sul   | Product Engineering | WDD     | SHEET    | 1 / 1 |     |

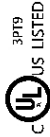
10 HP 02 Poles 60 Hz



Dimensions in inches XME A3



**NEMA**  
**Premium**



3PT9



Energy Verified

MADE IN MEXICO

**MAT: 14329719 CC029A**

**W01.TE0IC0X0N**

**MODEL 01036ET3E215JP-SG**

**17DEZ2020 S/N:**

|                            |               |                                |
|----------------------------|---------------|--------------------------------|
| <b>PH 3</b>                | <b>Hz 60</b>  | <b>HP 10</b>                   |
| <b>FR 213/5.JP</b>         |               | <b>KW 7.5</b>                  |
| <b>DUTY CONT.</b>          |               | <b>V 230/460</b>               |
| <b>ALT 1000 m.a.s.l.</b>   |               | <b>A 23.0/11.5</b>             |
| <b>INS CL F AT 80K</b>     | <b>IP55</b>   | <b>SFA 26.4/13.2</b>           |
| <b>AMB 40°C</b>            | <b>DES B</b>  | <b>SF 1.15</b>                 |
| <b>ENCL TEFC</b>           | <b>CODE H</b> | <b>PF 0.91</b>                 |
| <b>USABLE @ 208V 25.4A</b> |               | <b>RPM 3530</b>                |
| <b>SF1.00</b>              |               | <b>NEMA<br/>NOM. EFF 90.2%</b> |

**ALTERNATE RATING: 10HP 50Hz 190-220/380-415V SF1.00**  
**28.4-24.3/14.2-12.9A 2900RPM EFF 87.2% (IE1) IEC 60034-1**

Inverter duty motor For 60Hz use on VPWM 1000:1 VT, 10:1 CT

|                   |                    |                         |
|-------------------|--------------------|-------------------------|
| <b>DE 6209-ZZ</b> | <b>ODE 6206-ZZ</b> | <b>MOBIL POLYREX EM</b> |
|-------------------|--------------------|-------------------------|



T1-BLU T2-WHT  
 T3-ORG T4-YEL  
 T5-BLK T6-GRY  
 T7-PNK T8-RED  
 T9-BRK RED

INTERCHANGE ANY TWO LINE WIRES TO REVERSE THE ROTATION

**WARNING:** Motor must be grounded in accordance with local and national electrical codes to prevent serious electrical shocks. Disconnect power source before servicing unit.



**AVERTISSEMENT:** Le moteur doit être mis à la terre

conformément aux codes électriques locaux et nationaux afin d'éviter tout choc électrique grave. Déconnectez l'alimentation avant l'entretien de la machine.

