

DATA SHEET



Three Phase Induction Motor - Squirrel Cage

Customer :					
Product line : JM Pump NEMA Premium Efficiency Three-Phase		Product code : 13312539			
		Catalog # : 01036ET3H215JM-S			
Frame : 213/5JM Output : 10 HP (7.5 kW) Poles : 2 Frequency : 60 Hz Rated voltage : 575 V Rated current : 9.20 A L. R. Amperes : 69.0 A LRC : 7.5x(Code H) No load current : 3.01 A Rated speed : 3530 rpm Slip : 1.94 % Rated torque : 14.9 ft.lb Locked rotor torque : 260 % Breakdown torque : 300 % Insulation class : F Service factor : 1.15 Moment of inertia (J) : 0.7188 sq.ft.lb Design : B		Locked rotor time : 21s (cold) 12s (hot) Temperature rise : 80 K Duty cycle : Cont.(S1) Ambient temperature : -20°C to +40°C Altitude : 1000 m.a.s.l. Protection degree : IP55 Cooling method : IC411 - TEFC Mounting : F-1 Rotation ¹ : Both (CW and CCW) Noise level ² : 70.0 dB(A) Starting method : Direct On Line Approx. weight ³ : 170 lb			
Output	25%	50%	75%	100%	
Efficiency (%)	89.3	89.5	90.2	90.2	
Power Factor	0.53	0.80	0.88	0.91	
Foundation loads					
Max. traction : 167 lb					
Max. compression : 336 lb					
		<u>Drive end</u>	<u>Non drive end</u>		
Bearing type	:	6209 ZZ	6206 ZZ		
Sealing	:	V'Ring	V'Ring		
Lubrication interval	:	-	-		
Lubricant amount	:	-	-		
Lubricant type	:	Mobil Polyrex EM			
Notes					
This revision replaces and cancel the previous one, which must be eliminated. (1) Looking the motor from the shaft end. (2) Measured at 1m and with tolerance of +3dB(A). (3) Approximate weight subject to changes after manufacturing process. (4) At 100% of full load.			These are average values based on tests with sinusoidal power supply, subject to the tolerances stipulated in NEMA MG-1.		
Rev.	Changes Summary		Performed	Checked	Date
Performed by					
Checked by				Page	Revision
Date	12/04/2022			1 / 6	

TORQUE AND CURRENT VS SPEED CURVE

Three Phase Induction Motor - Squirrel Cage



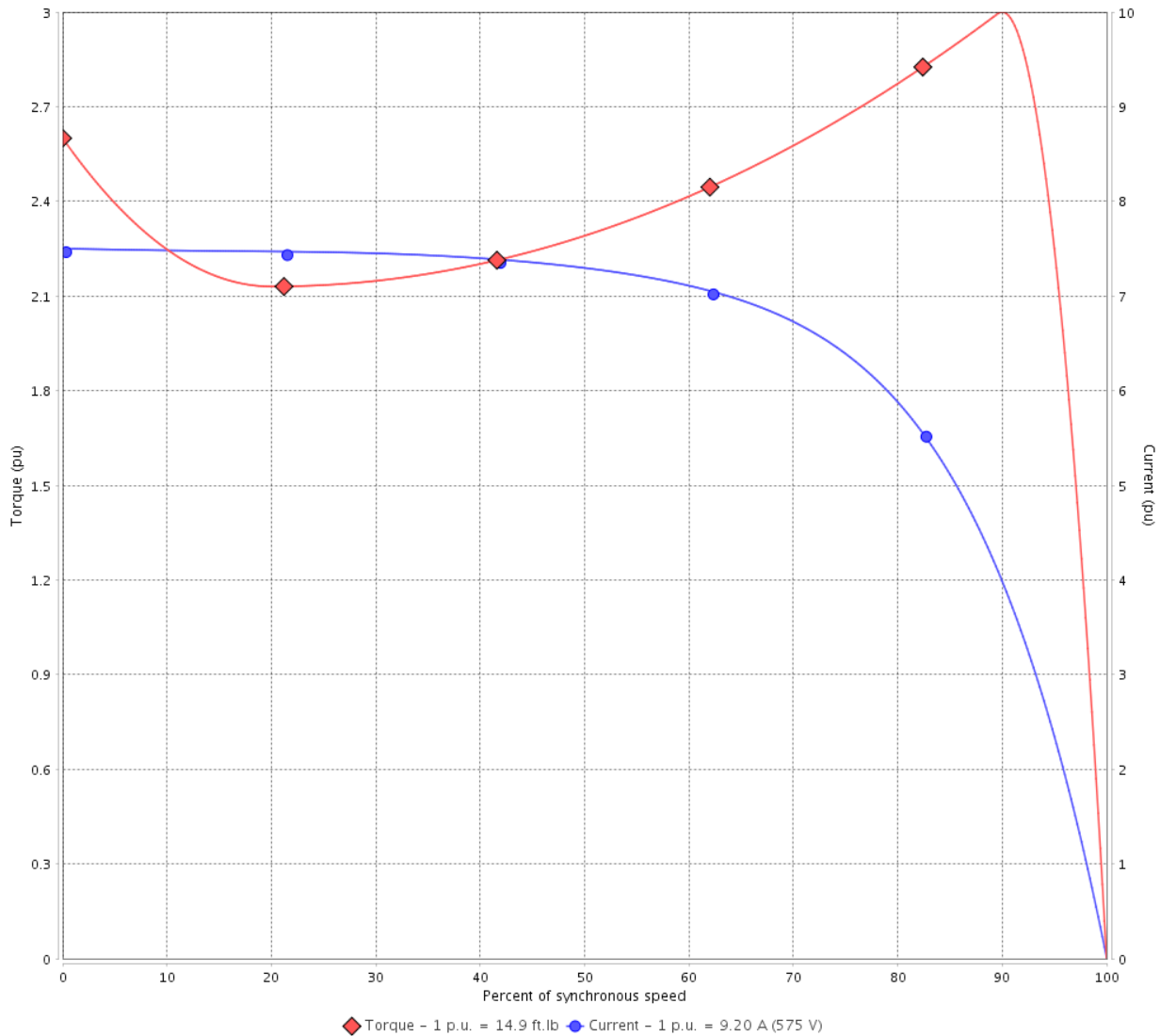
Customer :

Product line : JM Pump NEMA Premium
Efficiency Three-Phase

Product code : 13312539

Catalog # : 01036ET3H215JM-S

TORQUE AND CURRENT VS SPEED CURVE



Performance : 575 V 60 Hz 2P

Rated current	: 9.20 A	Moment of inertia (J)	: 0.7188 sq.ft.lb
LRC	: 7.5	Duty cycle	: Cont.(S1)
Rated torque	: 14.9 ft.lb	Insulation class	: F
Locked rotor torque	: 260 %	Service factor	: 1.15
Breakdown torque	: 300 %	Temperature rise	: 80 K
Rated speed	: 3530 rpm	Design	: B

Locked rotor time : 21s (cold) 12s (hot)

Rev.	Changes Summary	Performed	Checked	Date
Performed by			Page 2 / 6	Revision
Checked by				
Date	12/04/2022			

LOAD PERFORMANCE CURVE

Three Phase Induction Motor - Squirrel Cage

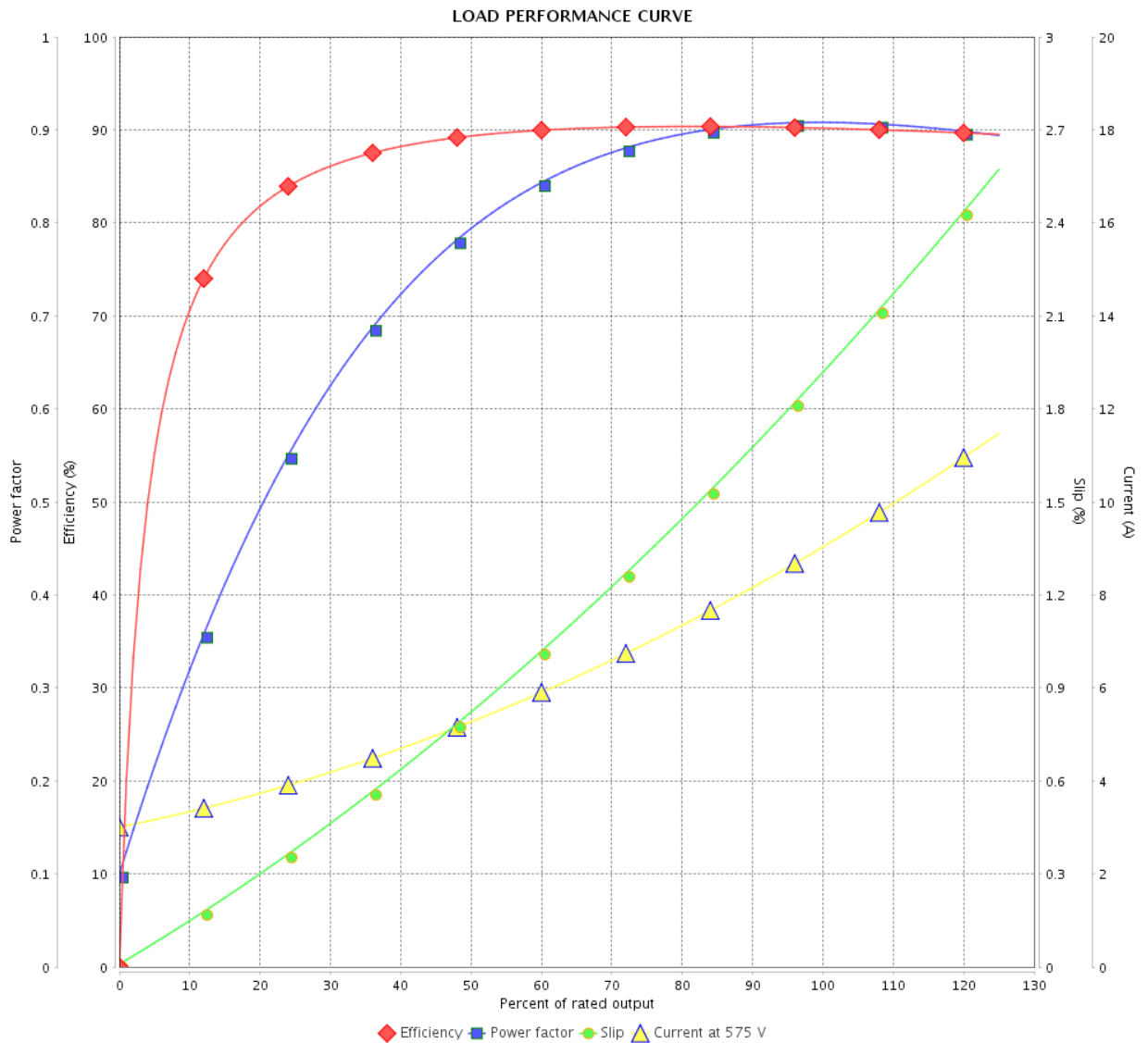


Customer : _____

Product line : JM Pump NEMA Premium Efficiency Three-Phase

Product code : 13312539

Catalog # : 01036ET3H215JM-S



Performance : 575 V 60 Hz 2P

Rated current : 9.20 A
 LRC : 7.5
 Rated torque : 14.9 ft.lb
 Locked rotor torque : 260 %
 Breakdown torque : 300 %
 Rated speed : 3530 rpm

Moment of inertia (J) : 0.7188 sq.ft.lb
 Duty cycle : Cont.(S1)
 Insulation class : F
 Service factor : 1.15
 Temperature rise : 80 K
 Design : B

Rev.	Changes Summary	Performed	Checked	Date
Performed by			Page	Revision
Checked by			3 / 6	
Date	12/04/2022			

THERMAL LIMIT CURVE



Three Phase Induction Motor - Squirrel Cage

Customer :

Product line : JM Pump NEMA Premium
Efficiency Three-Phase

Product code : 13312539

Catalog # : 01036ET3H215JM-S

Performance : 575 V 60 Hz 2P

Rated current : 9.20 A
LRC : 7.5
Rated torque : 14.9 ft.lb
Locked rotor torque : 260 %
Breakdown torque : 300 %
Rated speed : 3530 rpm

Moment of inertia (J) : 0.7188 sq.ft.lb
Duty cycle : Cont.(S1)
Insulation class : F
Service factor : 1.15
Temperature rise : 80 K
Design : B

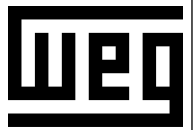
Heating constant

Cooling constant

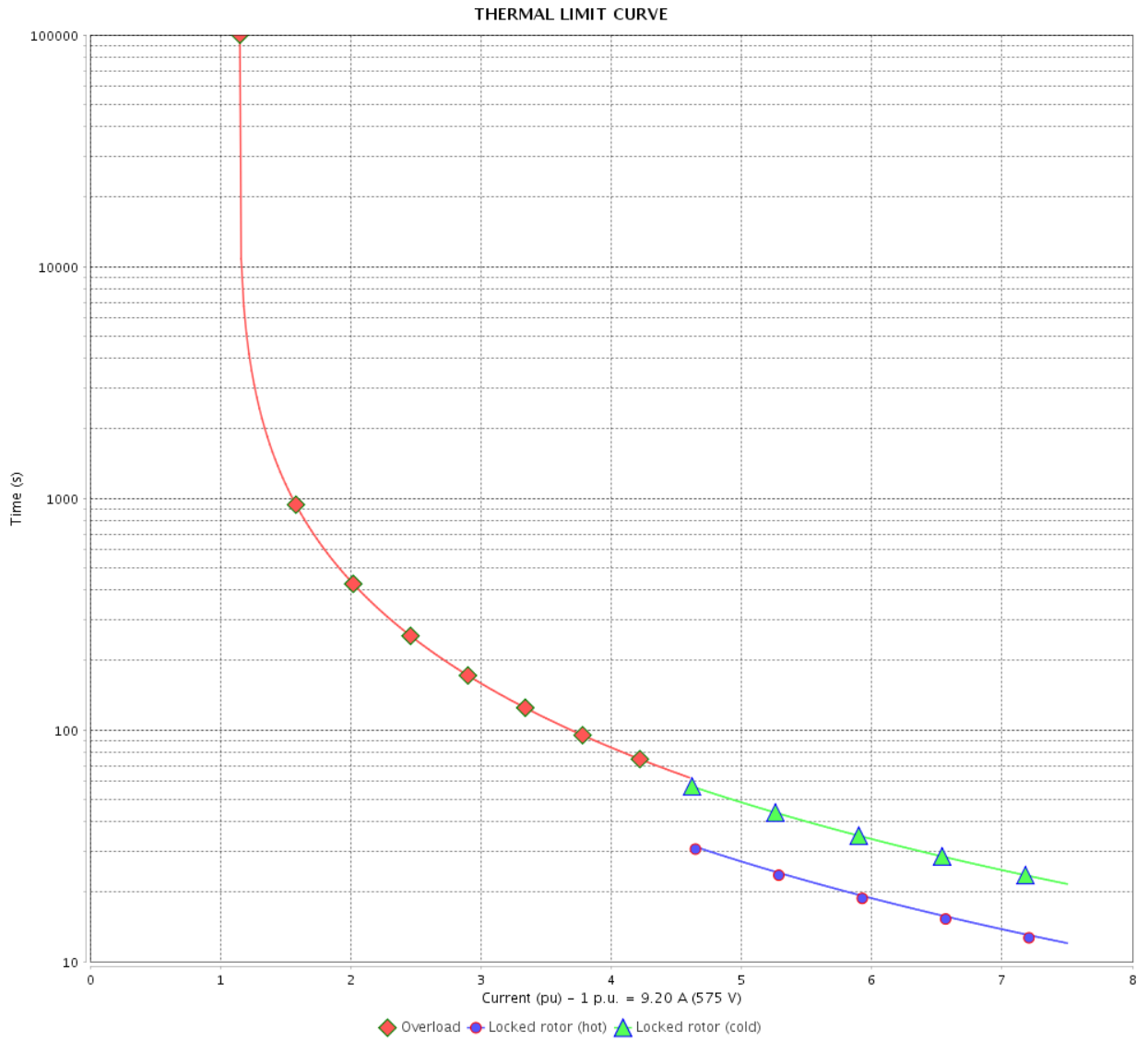
Rev.	Changes Summary	Performed	Checked	Date
Performed by				
Checked by			Page	Revision
Date	12/04/2022		4 / 6	

THERMAL LIMIT CURVE

Three Phase Induction Motor - Squirrel Cage



Customer : _____



Rev.	Changes Summary	Performed	Checked	Date
Performed by		Page 5 / 6		Revision
Checked by				
Date				

VFD OPERATION CURVE

Three Phase Induction Motor - Squirrel Cage



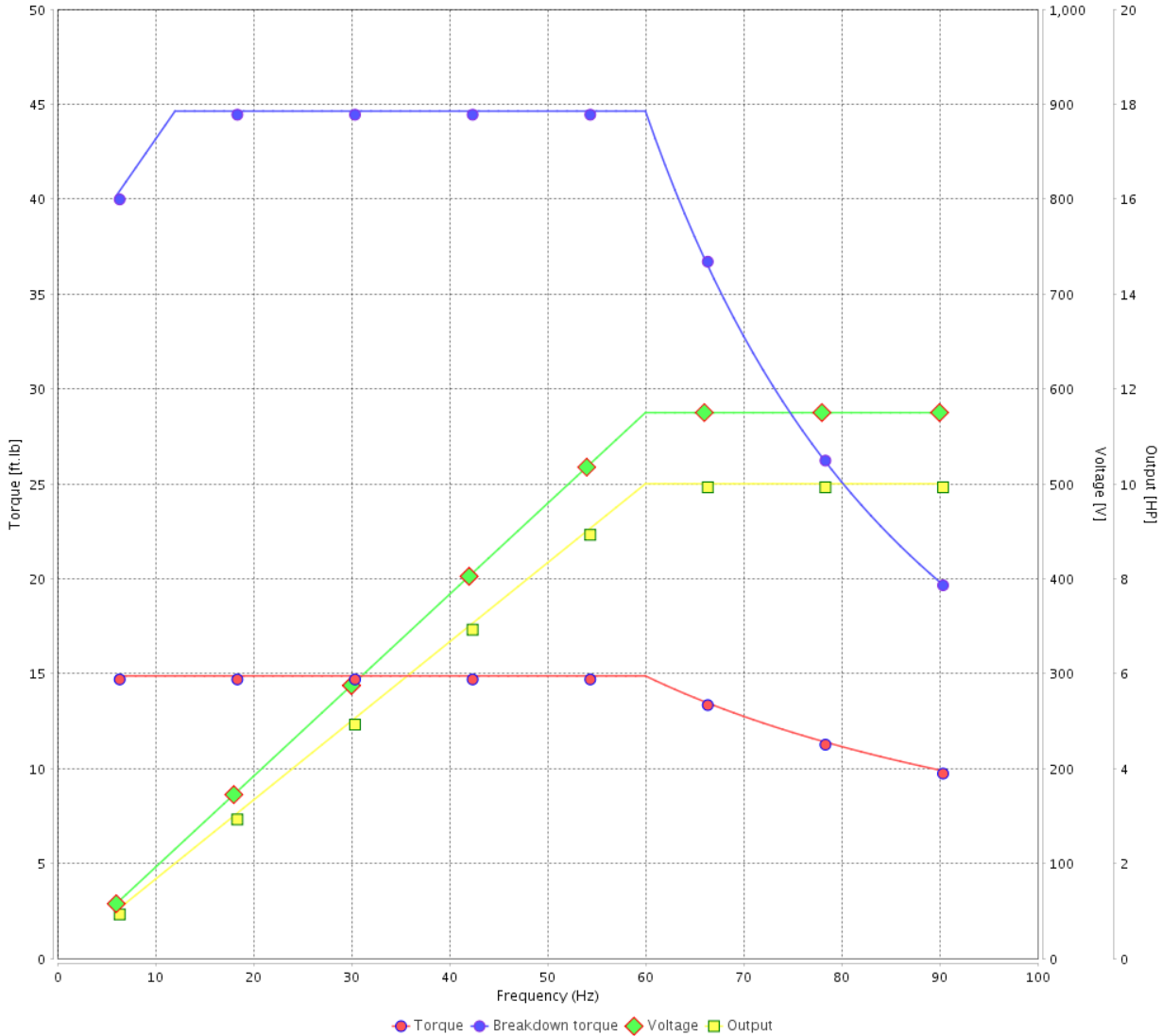
Customer :

Product line : JM Pump NEMA Premium Efficiency Three-Phase

Product code : 13312539

Catalog # : 01036ET3H215JM-S

VFD OPERATION CURVE



Performance : 575 V 60 Hz 2P

Rated current : 9.20 A
 LRC : 7.5
 Rated torque : 14.9 ft.lb
 Locked rotor torque : 260 %
 Breakdown torque : 300 %
 Rated speed : 3530 rpm

Moment of inertia (J) : 0.7188 sq.ft.lb
 Duty cycle : Cont.(S1)
 Insulation class : F
 Service factor : 1.15
 Temperature rise : 80 K
 Design : B

Rev.	Changes Summary	Performed	Checked	Date
Performed by			Page 6 / 6	Revision
Checked by				
Date	12/04/2022			

1 2 3 4 5 6

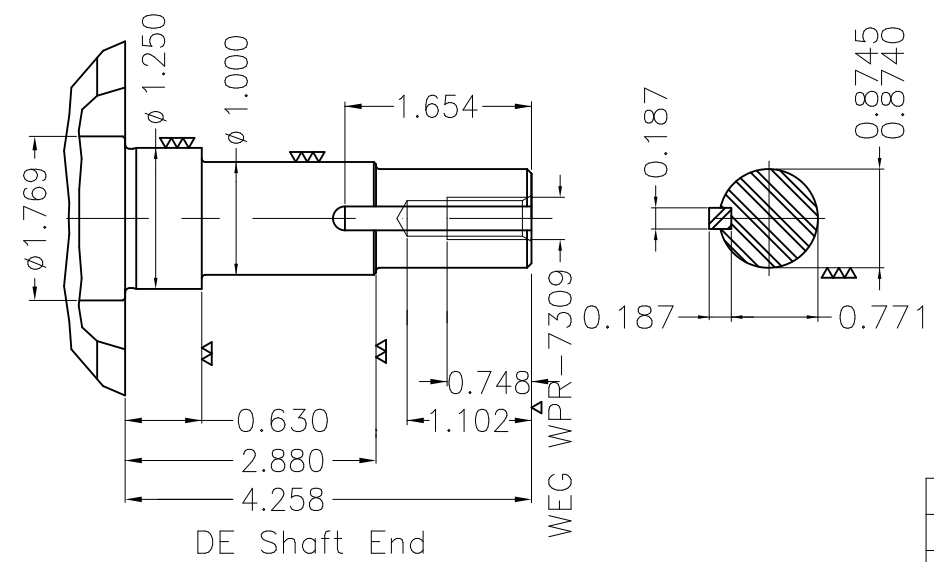
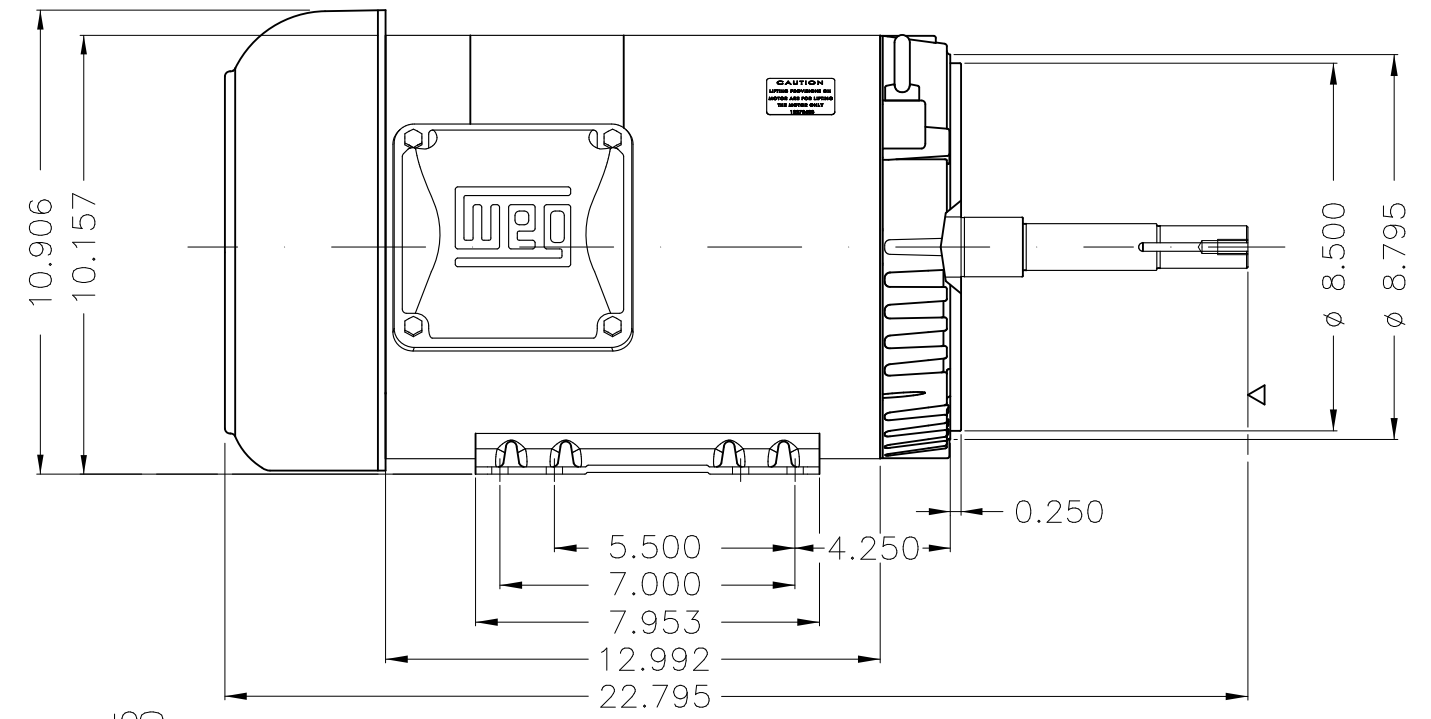
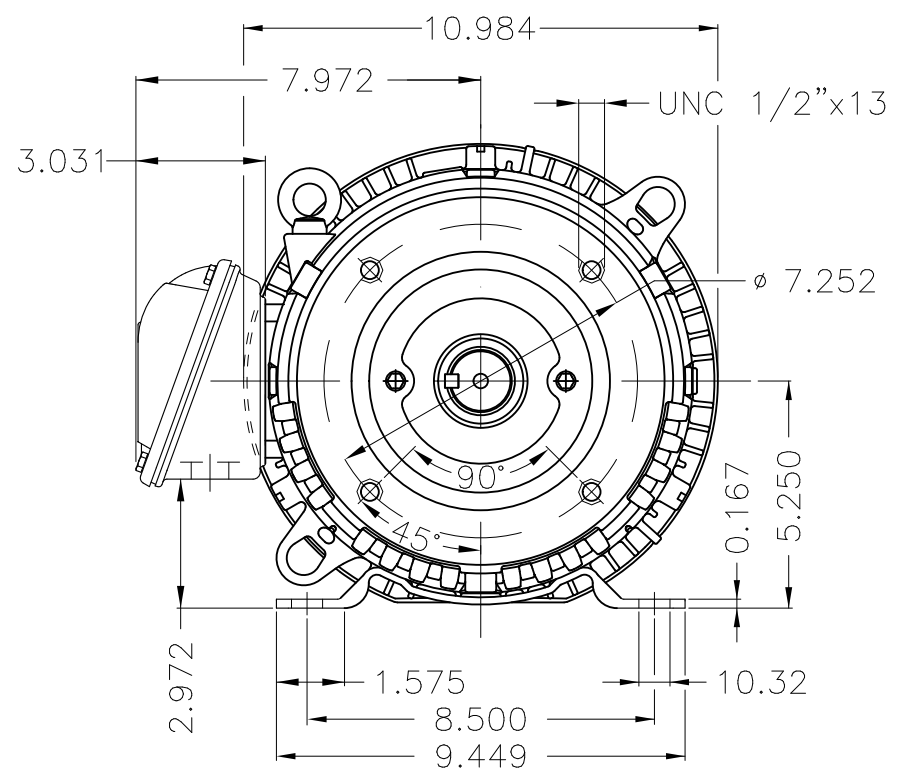
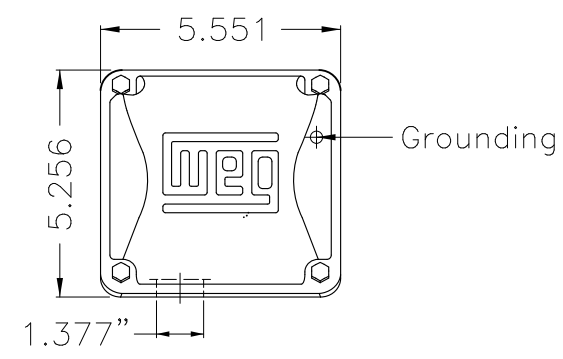
A

B

C

D

E



EUNC 3/8" - 16 WEG WPR-7309

DE Shaft End

Color Munsell N 1 matte black									
Painting plan 207N									
Mounting F-1/B34R(D)									
ECM	LOC	SUMMARY OF MODIFICATIONS			EXECUTED	CHECKED	RELEASED	DATE	VER
EXECUTED	PIRWBUSER	THREE PH. MOTOR ROLLED STEEL CLOSE COUPLED PUMP JN TYPE PSEF 575							
CHECKED		FRAME 213/5JM IP55 TEFC							
RELEASED									
REL DT.		WMO	Jaragua do Sul	Product Engineering					

PREVIEW

WDD



10 HP 02 Poles 60 Hz



NEMA
Premium



MADE IN MEXICO

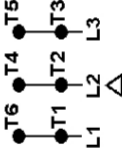
MAT: 13312539 CC029A
W01.TE0IC0X0N
JM010502NPW01
18FEB2022 S/N:

For 60Hz: Class I, Zone 2, IIC
Class I, Div.2, Gr. A,B,C,D - T3
Div 2 Inverter Duty (SF1.00)
CT 2:1/VT 1000:1

PH 3	Hz 60	HP 10
FR 213/5JM		KW 7.5
DUTY CONT.		V 575
ALT 1000 m.a.s.l.		A 9.20
INS CL F AT 80K	IP55	SFA 10.6
AMB 40°C	DES B	SF 1.15
ENCL TEFC	CODE H	PF 0.91
		RPM 3530
		NEMA NOM. EFF 90.2%

For safe area-inverter duty motor For use on VPWM 1000:1 VT, 10:1 CT

DE 6209-ZZ ODE 6206-ZZ MOBIL POLYREX EM



T1-BLU
T2-WHT
T3-ORG
T4-YEL
T5-BLK
T6-GRY



INTERCHANGE ANY TWO LINE WIRES TO REVERSE THE ROTATION

WARNING: Motor must be grounded in accordance with local and national electrical codes to prevent serious electrical shocks. Disconnect power source before servicing unit.



AVERTISSEMENT: Le moteur doit être mis à la terre

conformément aux codes électriques locaux et nationaux afin d'éviter tout choc électrique grave. Déconnectez l'alimentation avant l'entretien de la machine.

