

# DATA SHEET



## Three Phase Induction Motor - Squirrel Cage

Customer :				
Product line	: NEMA Premium Efficiency Three-Phase			
Product code :	12675398			
Catalog # :	01036ET3H215T-S			
Frame : 213/5T Output : 10 HP (7.5 kW) Poles : 2 Frequency : 60 Hz Rated voltage : 575 V Rated current : 9.20 A L. R. Amperes : 69.0 A LRC : 7.5x(Code H) No load current : 3.01 A Rated speed : 3530 rpm Slip : 1.94 % Rated torque : 14.9 ft.lb Locked rotor torque : 260 % Breakdown torque : 300 % Insulation class : F Service factor : 1.15 Moment of inertia (J) : 0.7188 sq.ft.lb Design : B	Locked rotor time : 21s (cold) 12s (hot) Temperature rise : 80 K Duty cycle : Cont.(S1) Ambient temperature : -20°C to +40°C Altitude : 1000 m.a.s.l. Protection degree : IP55 Cooling method : IC411 - TEFC Mounting : F-1 Rotation <sup>1</sup> : Both (CW and CCW) Noise level <sup>2</sup> : 70.0 dB(A) Starting method : Direct On Line Approx. weight <sup>3</sup> : 163 lb			
Output	25%    50%    75%    100%			
Efficiency (%)	89.3    89.5    90.2    90.2			
Power Factor	0.53    0.80    0.88    0.91			
Foundation loads				
Max. traction : 170 lb				
Max. compression : 333 lb				
Bearing type	: <u>Drive end</u> 6208 ZZ <u>Non drive end</u> 6206 ZZ			
Sealing	: V'Ring      Without Bearing Seal			
Lubrication interval	: -      -			
Lubricant amount	: -      -			
Lubricant type	: Mobil Polyrex EM			
Notes				
This revision replaces and cancel the previous one, which must be eliminated. (1) Looking the motor from the shaft end. (2) Measured at 1m and with tolerance of +3dB(A). (3) Approximate weight subject to changes after manufacturing process. (4) At 100% of full load.				
These are average values based on tests with sinusoidal power supply, subject to the tolerances stipulated in NEMA MG-1.				
Rev.	Changes Summary	Performed	Checked	Date
Performed by				
Checked by			Page	Revision
Date	12/04/2022		1 / 6	

# TORQUE AND CURRENT VS SPEED CURVE

Three Phase Induction Motor - Squirrel Cage



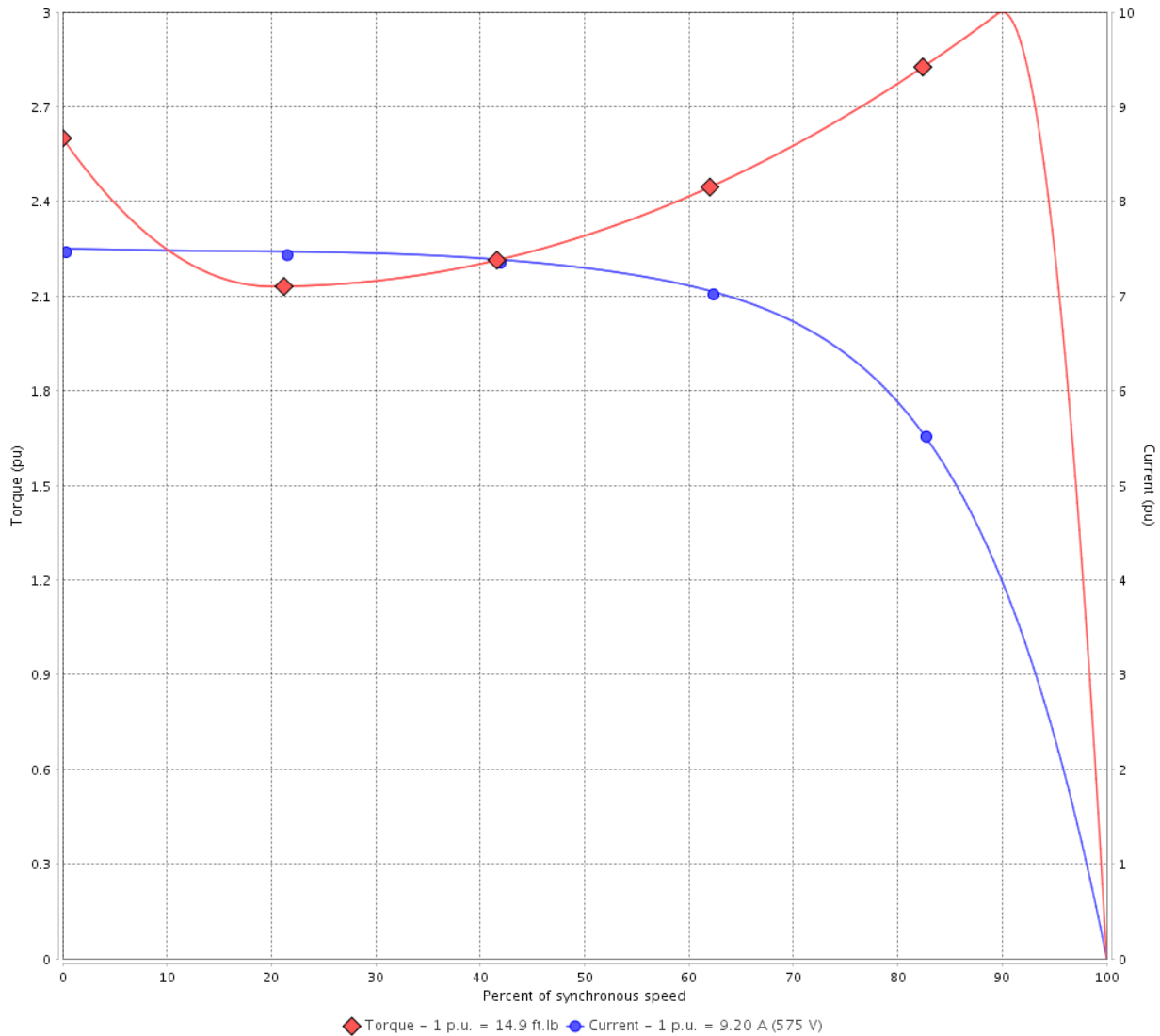
Customer :

Product line : NEMA Premium Efficiency Three-Phase

Product code : 12675398

Catalog # : 01036ET3H215T-S

TORQUE AND CURRENT VS SPEED CURVE



Performance : 575 V 60 Hz 2P

Rated current	: 9.20 A	Moment of inertia (J)	: 0.7188 sq.ft.lb
LRC	: 7.5	Duty cycle	: Cont.(S1)
Rated torque	: 14.9 ft.lb	Insulation class	: F
Locked rotor torque	: 260 %	Service factor	: 1.15
Breakdown torque	: 300 %	Temperature rise	: 80 K
Rated speed	: 3530 rpm	Design	: B

Locked rotor time : 21s (cold) 12s (hot)

Rev.	Changes Summary	Performed	Checked	Date
Performed by			Page 2 / 6	Revision
Checked by				
Date	12/04/2022			

# LOAD PERFORMANCE CURVE

## Three Phase Induction Motor - Squirrel Cage

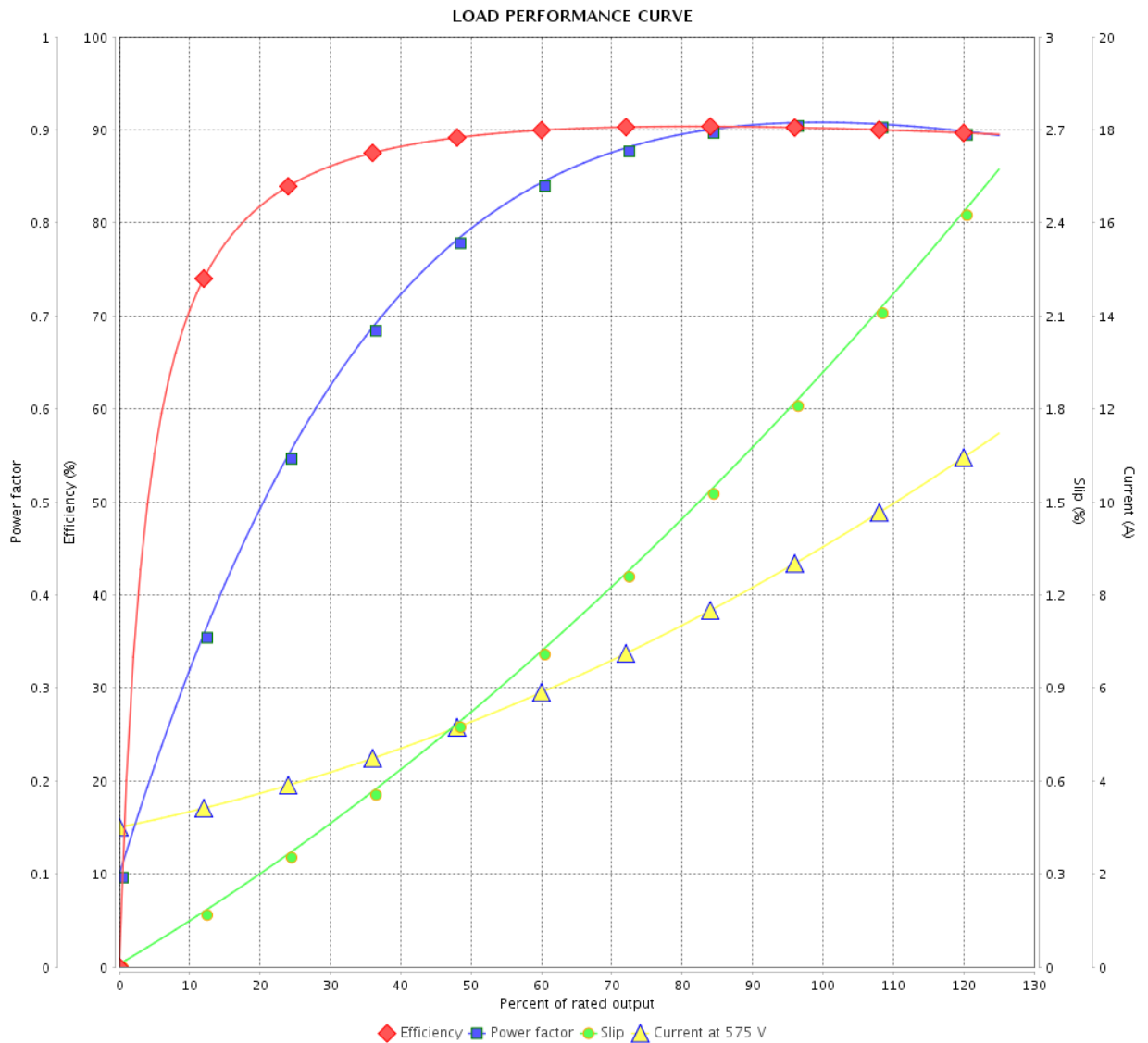


Customer :

Product line : NEMA Premium Efficiency Three-Phase

Product code : 12675398

Catalog # : 01036ET3H215T-S



Performance : 575 V 60 Hz 2P

Rated current : 9.20 A  
 LRC : 7.5  
 Rated torque : 14.9 ft.lb  
 Locked rotor torque : 260 %  
 Breakdown torque : 300 %  
 Rated speed : 3530 rpm

Moment of inertia (J) : 0.7188 sq.ft.lb  
 Duty cycle : Cont.(S1)  
 Insulation class : F  
 Service factor : 1.15  
 Temperature rise : 80 K  
 Design : B

Rev.	Changes Summary	Performed	Checked	Date
Performed by			Page	Revision
Checked by				
Date				
			3 / 6	

# THERMAL LIMIT CURVE



## Three Phase Induction Motor - Squirrel Cage

Customer :

Product line : NEMA Premium Efficiency Three-Phase  
 Product code : 12675398  
 Catalog # : 01036ET3H215T-S

Performance : 575 V 60 Hz 2P

Rated current : 9.20 A	Moment of inertia (J) : 0.7188 sq.ft.lb
LRC : 7.5	Duty cycle : Cont.(S1)
Rated torque : 14.9 ft.lb	Insulation class : F
Locked rotor torque : 260 %	Service factor : 1.15
Breakdown torque : 300 %	Temperature rise : 80 K
Rated speed : 3530 rpm	Design : B

Heating constant

Cooling constant

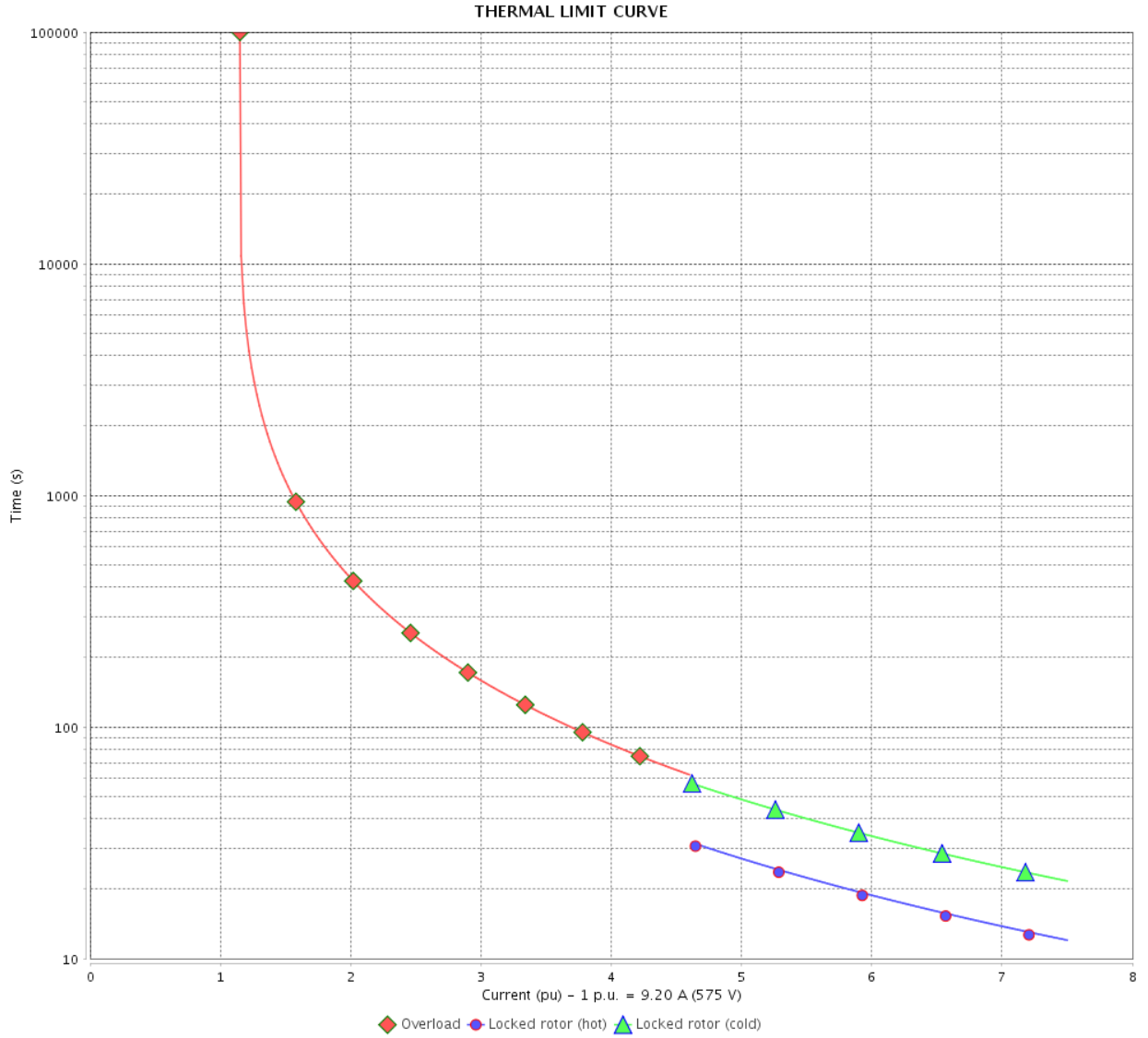
Rev.	Changes Summary	Performed	Checked	Date
Performed by			Page	Revision
Checked by				
Date	12/04/2022			

# THERMAL LIMIT CURVE

Three Phase Induction Motor - Squirrel Cage



Customer : \_\_\_\_\_



Rev.	Changes Summary	Performed	Checked	Date
Performed by		Page 5 / 6		Revision
Checked by				
Date				

# VFD OPERATION CURVE

Three Phase Induction Motor - Squirrel Cage



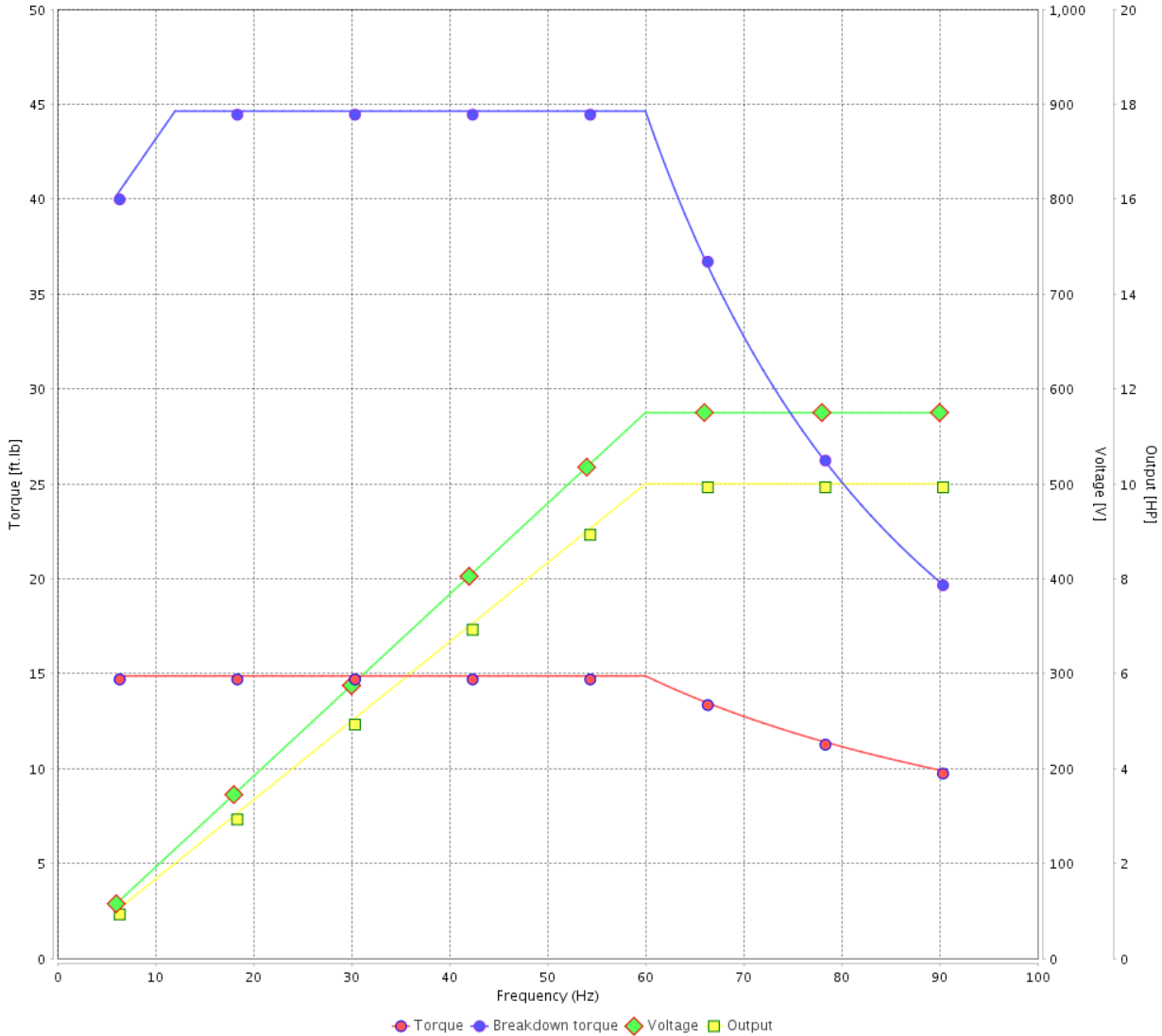
Customer :

Product line : NEMA Premium Efficiency Three-Phase

Product code : 12675398

Catalog # : 01036ET3H215T-S

VFD OPERATION CURVE



Performance : 575 V 60 Hz 2P

Rated current : 9.20 A  
 LRC : 7.5  
 Rated torque : 14.9 ft.lb  
 Locked rotor torque : 260 %  
 Breakdown torque : 300 %  
 Rated speed : 3530 rpm

Moment of inertia (J) : 0.7188 sq.ft.lb  
 Duty cycle : Cont.(S1)  
 Insulation class : F  
 Service factor : 1.15  
 Temperature rise : 80 K  
 Design : B

Rev.	Changes Summary	Performed	Checked	Date
Performed by			Page 6 / 6	Revision
Checked by				
Date	12/04/2022			

1 2 3 4 5 6

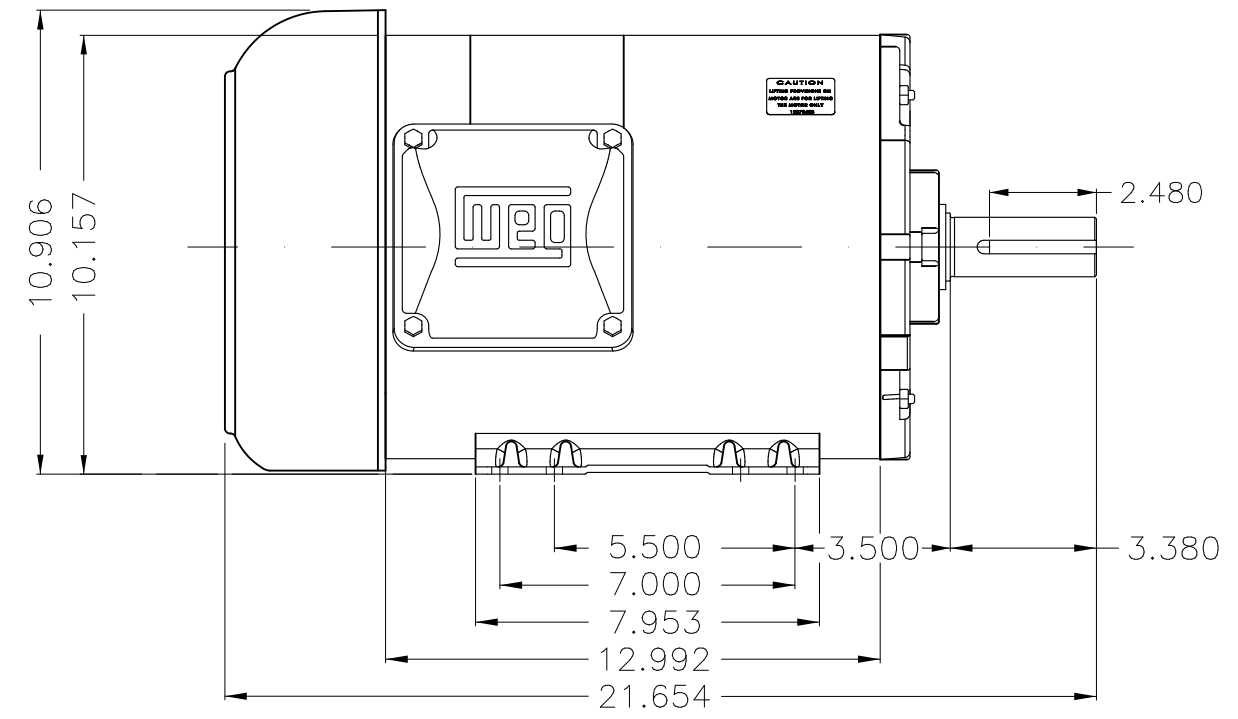
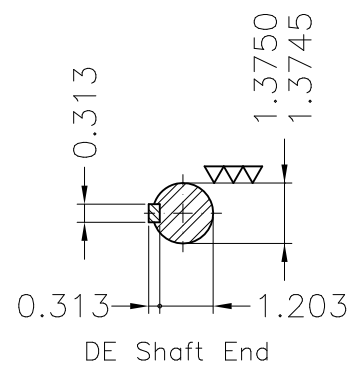
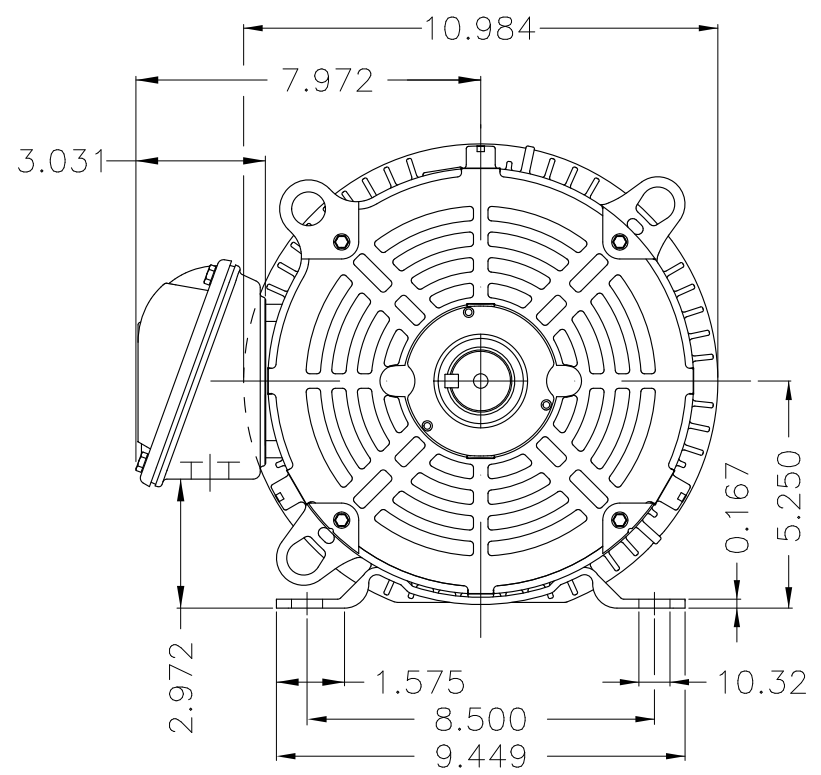
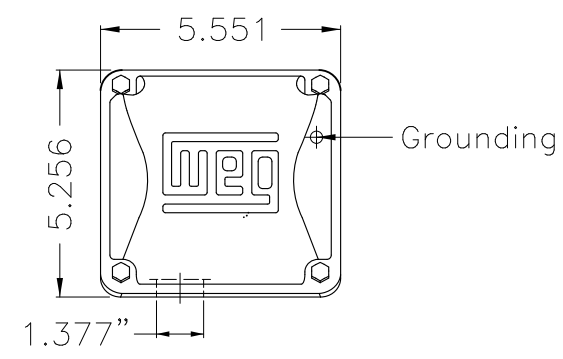
A

B

C

D

E



Color Munsell N 1 matte black  
 Painting plan 207N  
 Mounting F-1/B3R(D)

ECM	LOC	SUMMARY OF MODIFICATIONS	EXECUTED	CHECKED	RELEASED	DATE	VER
EXECUTED	PIRWUSER	THREE PH. MOTOR ROLLED STEEL PREM. EFF. FRAME 213/5T IP55 TEFC					
CHECKED							
RELEASED							
REL DT.	WMO	Jaragua do Sul	Product Engineering	SHEET		1 / 1	

10 HP 02 Poles 60 Hz

A

PREVIEW  
WDD





**NEMA**  
**Premium**



MADE IN MEXICO

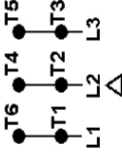
**MAT: 12675398 CC029A**  
**W01.TE0IC0X0N**  
**MODEL 01036ET3H215T-S**  
**04FEB2022 S/N:**

**For 60Hz: Class I, Zone 2, IIC**  
**Class I, Div.2, Gr. A,B,C,D - T3**  
**Div 2 Inverter Duty (SF1.00)**  
**CT 2:1/VT 1000:1**

PH 3	Hz 60	HP 10
FR 213/5T		KW 7.5
DUTY CONT.		V 575
ALT 1000 m.a.s.l.		A 9.20
INS CL F AT 80K	IP55	SFA 10.6
AMB 40°C	DES B	SF 1.15
ENCL TEFC	CODE H	PF 0.91
		RPM 3530
		NEMA NOM. EFF 90.2%

For safe area-inverter duty motor For use on VPWM 1000:1 VT, 10:1 CT

DE 6208-ZZ ODE 6206-ZZ MOBIL POLYREX EM



T1-BLU  
T2-WHT  
T3-ORG  
T4-YEL  
T5-BLK  
T6-GRY

INTERCHANGE ANY TWO LINE WIRES TO REVERSE THE ROTATION

**WARNING:** Motor must be grounded in accordance with local and national electrical codes to prevent serious electrical shocks. Disconnect power source before servicing unit.



**AVERTISSEMENT:** Le moteur doit être mis à la terre

conformément aux codes électriques locaux et nationaux afin d'éviter tout choc électrique grave. Déconnectez l'alimentation avant l'entretien de la machine.

