

DATA SHEET



Three Phase Induction Motor - Squirrel Cage

Customer :				
Product line	: NEMA Premium Efficiency Three-Phase			
Product code :	12845475			
Catalog # :	01036ET3H215TC-S			
Frame : 213/5TC Output : 10 HP (7.5 kW) Poles : 2 Frequency : 60 Hz Rated voltage : 575 V Rated current : 9.20 A L. R. Amperes : 69.0 A LRC : 7.5x(Code H) No load current : 3.01 A Rated speed : 3530 rpm Slip : 1.94 % Rated torque : 14.9 ft.lb Locked rotor torque : 260 % Breakdown torque : 300 % Insulation class : F Service factor : 1.15 Moment of inertia (J) : 0.7188 sq.ft.lb Design : B	Locked rotor time : 21s (cold) 12s (hot) Temperature rise : 80 K Duty cycle : Cont.(S1) Ambient temperature : -20°C to +40°C Altitude : 1000 m.a.s.l. Protection degree : IP55 Cooling method : IC411 - TEFC Mounting : F-1 Rotation ¹ : Both (CW and CCW) Noise level ² : 70.0 dB(A) Starting method : Direct On Line Approx. weight ³ : 173 lb			
Output	25% 50% 75% 100%			
Efficiency (%)	89.3 89.5 90.2 90.2			
Power Factor	0.53 0.80 0.88 0.91			
Foundation loads				
Max. traction : 165 lb				
Max. compression : 338 lb				
Bearing type	: <u>Drive end</u> 6208 ZZ <u>Non drive end</u> 6206 ZZ			
Sealing	: V'Ring Without Bearing Seal			
Lubrication interval	: - -			
Lubricant amount	: - -			
Lubricant type	: Mobil Polyrex EM			
Notes				
This revision replaces and cancel the previous one, which must be eliminated.				
(1) Looking the motor from the shaft end.				
(2) Measured at 1m and with tolerance of +3dB(A).				
(3) Approximate weight subject to changes after manufacturing process.				
(4) At 100% of full load.				
These are average values based on tests with sinusoidal power supply, subject to the tolerances stipulated in NEMA MG-1.				
Rev.	Changes Summary	Performed	Checked	Date
Performed by				
Checked by			Page	Revision
Date	12/04/2022		1 / 6	

TORQUE AND CURRENT VS SPEED CURVE

Three Phase Induction Motor - Squirrel Cage



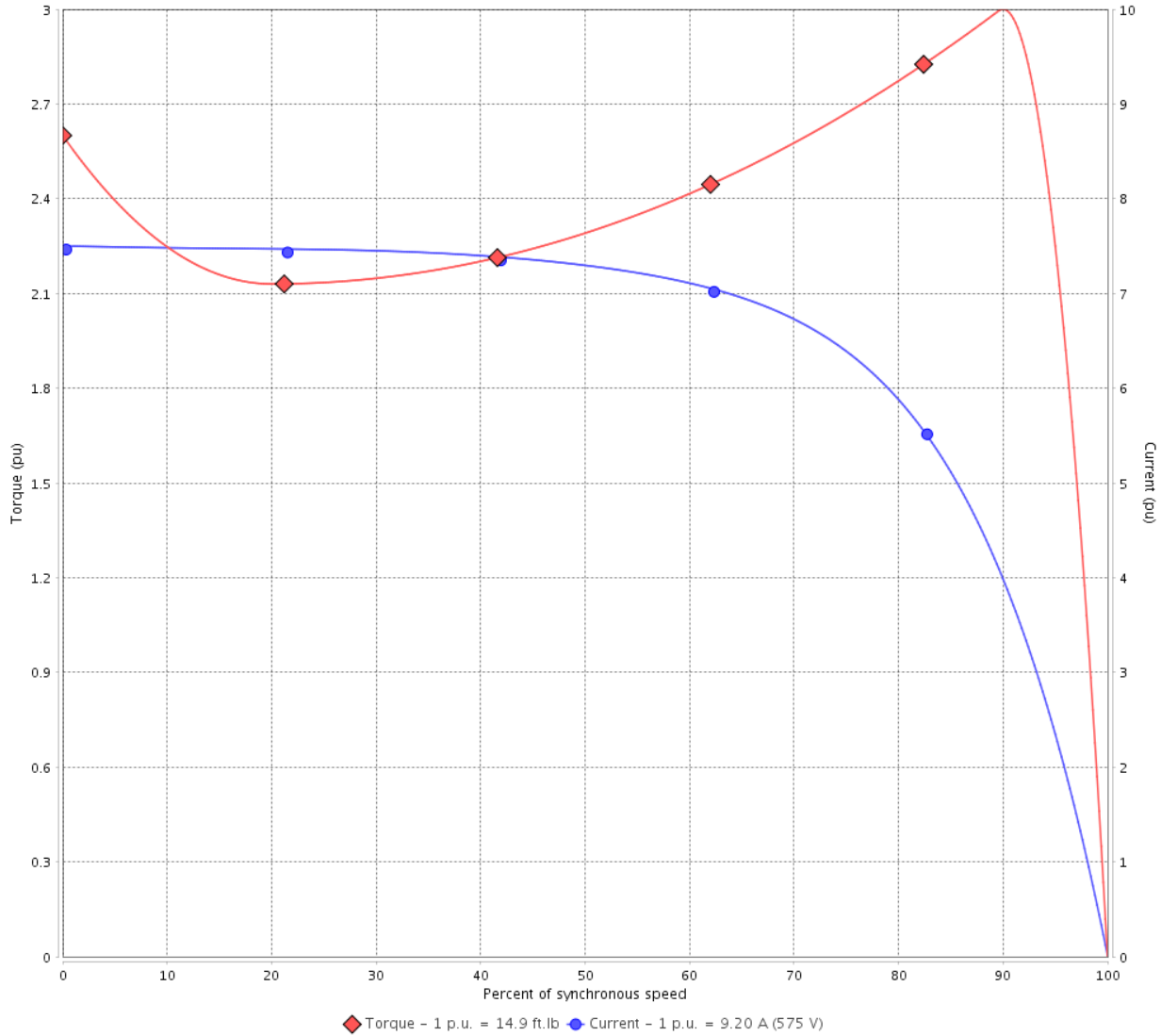
Customer :

Product line : NEMA Premium Efficiency Three-Phase

Product code : 12845475

Catalog # : 01036ET3H215TC-S

TORQUE AND CURRENT VS SPEED CURVE



Performance : 575 V 60 Hz 2P

Rated current	: 9.20 A	Moment of inertia (J)	: 0.7188 sq.ft.lb
LRC	: 7.5	Duty cycle	: Cont.(S1)
Rated torque	: 14.9 ft.lb	Insulation class	: F
Locked rotor torque	: 260 %	Service factor	: 1.15
Breakdown torque	: 300 %	Temperature rise	: 80 K
Rated speed	: 3530 rpm	Design	: B

Locked rotor time : 21s (cold) 12s (hot)

Rev.	Changes Summary	Performed	Checked	Date
Performed by			Page 2 / 6	Revision
Checked by				
Date	12/04/2022			

LOAD PERFORMANCE CURVE

Three Phase Induction Motor - Squirrel Cage

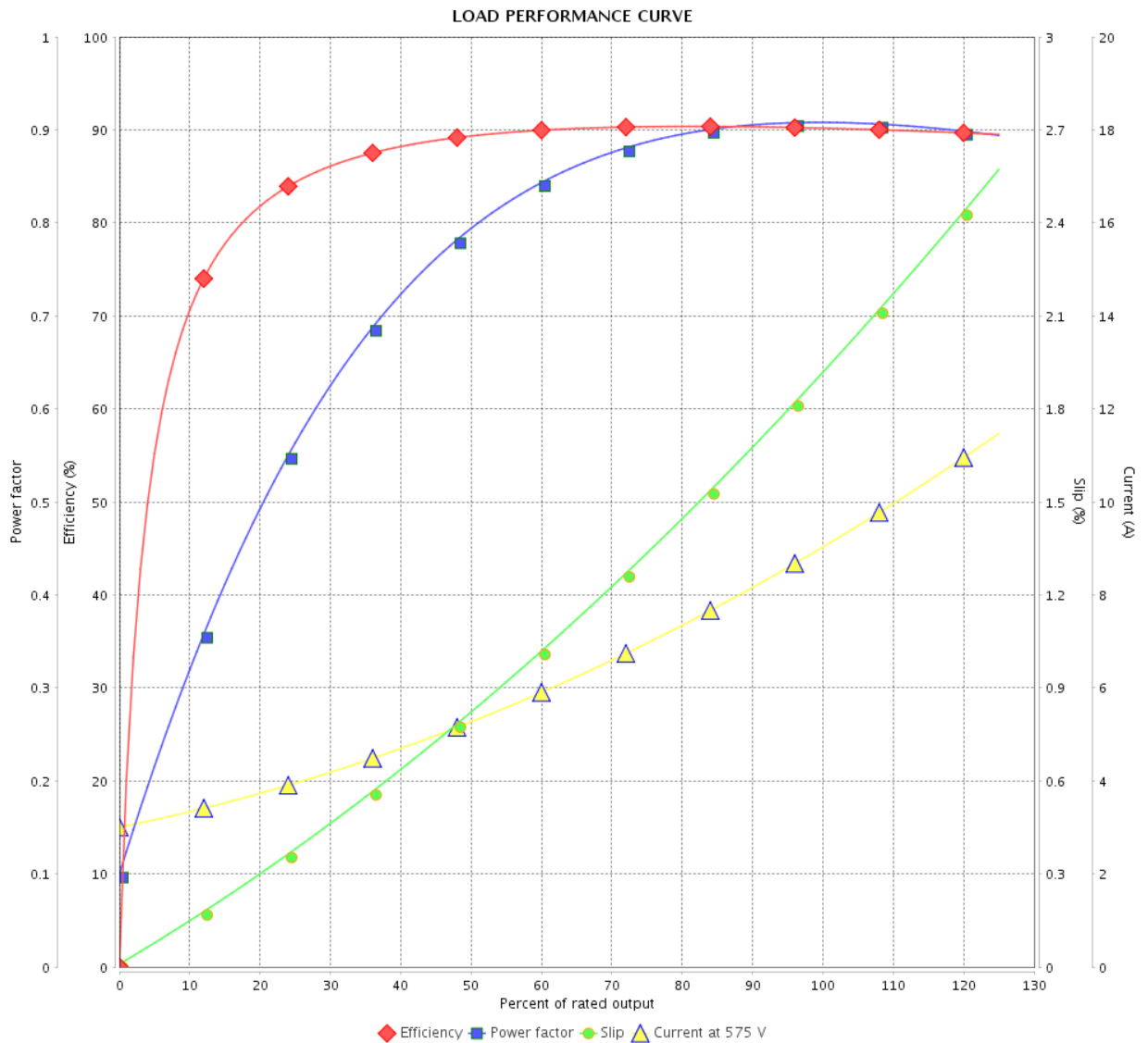


Customer : _____

Product line : NEMA Premium Efficiency Three-Phase

Product code : 12845475

Catalog # : 01036ET3H215TC-S



Performance : 575 V 60 Hz 2P

Rated current : 9.20 A
 LRC : 7.5
 Rated torque : 14.9 ft.lb
 Locked rotor torque : 260 %
 Breakdown torque : 300 %
 Rated speed : 3530 rpm

Moment of inertia (J) : 0.7188 sq.ft.lb
 Duty cycle : Cont.(S1)
 Insulation class : F
 Service factor : 1.15
 Temperature rise : 80 K
 Design : B

Rev.	Changes Summary	Performed	Checked	Date
Performed by			Page	Revision
Checked by				
Date				
			3 / 6	

THERMAL LIMIT CURVE



Three Phase Induction Motor - Squirrel Cage

Customer :

Product line : NEMA Premium Efficiency Three-Phase
Product code : 12845475
Catalog # : 01036ET3H215TC-S

Performance : 575 V 60 Hz 2P

Rated current	: 9.20 A	Moment of inertia (J)	: 0.7188 sq.ft.lb
LRC	: 7.5	Duty cycle	: Cont.(S1)
Rated torque	: 14.9 ft.lb	Insulation class	: F
Locked rotor torque	: 260 %	Service factor	: 1.15
Breakdown torque	: 300 %	Temperature rise	: 80 K
Rated speed	: 3530 rpm	Design	: B

Heating constant

Cooling constant

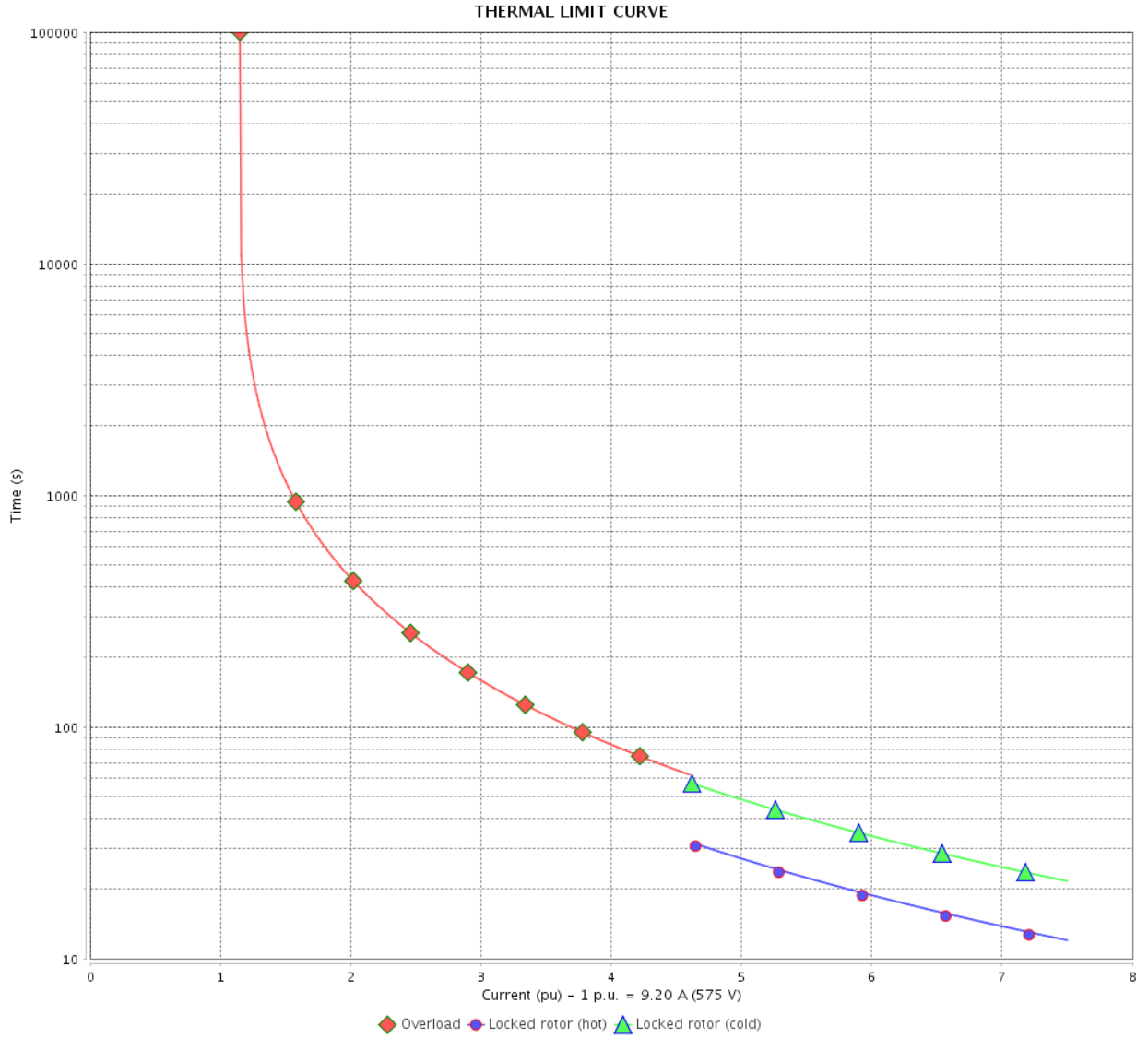
Rev.	Changes Summary	Performed	Checked	Date
Performed by				
Checked by			Page	Revision
Date	12/04/2022		4 / 6	

THERMAL LIMIT CURVE

Three Phase Induction Motor - Squirrel Cage



Customer : _____



Rev.	Changes Summary	Performed	Checked	Date
Performed by		Page 5 / 6		Revision
Checked by				
Date				

VFD OPERATION CURVE

Three Phase Induction Motor - Squirrel Cage



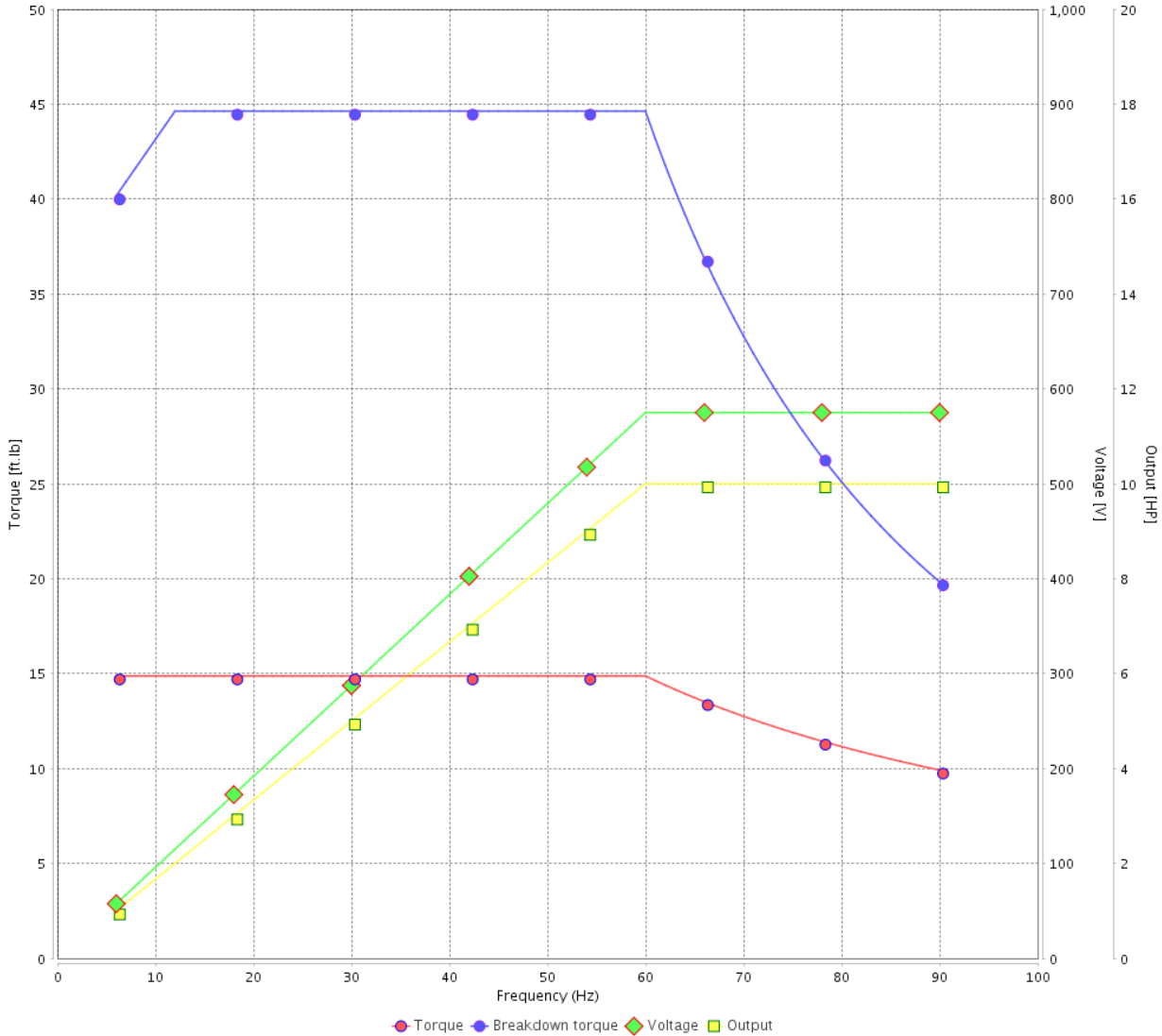
Customer :

Product line : NEMA Premium Efficiency Three-Phase

Product code : 12845475

Catalog # : 01036ET3H215TC-S

VFD OPERATION CURVE



Performance : 575 V 60 Hz 2P

Rated current : 9.20 A
 LRC : 7.5
 Rated torque : 14.9 ft.lb
 Locked rotor torque : 260 %
 Breakdown torque : 300 %
 Rated speed : 3530 rpm

Moment of inertia (J) : 0.7188 sq.ft.lb
 Duty cycle : Cont.(S1)
 Insulation class : F
 Service factor : 1.15
 Temperature rise : 80 K
 Design : B

Rev.	Changes Summary	Performed	Checked	Date
Performed by			Page 6 / 6	Revision
Checked by				
Date	12/04/2022			

1 2 3 4 5 6

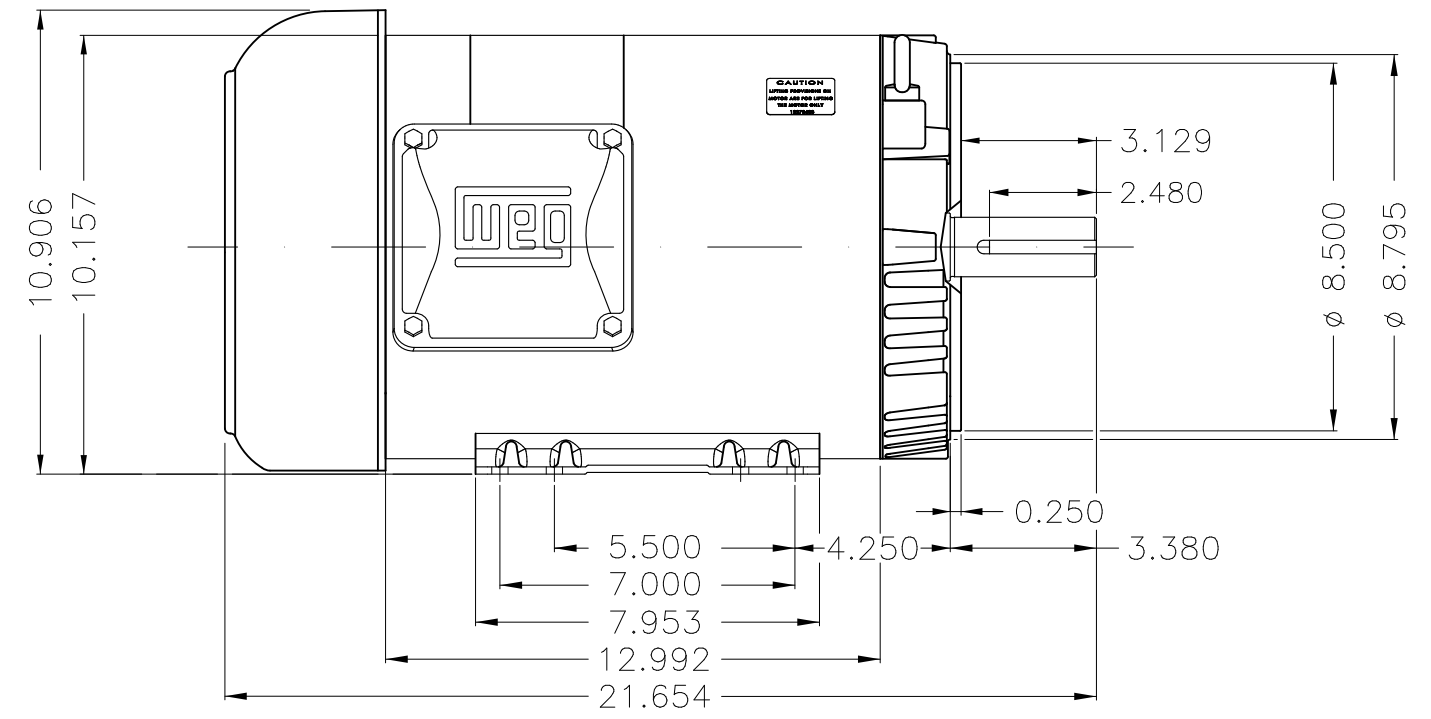
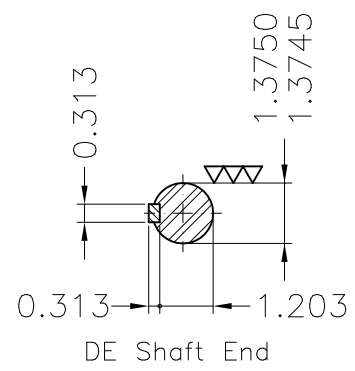
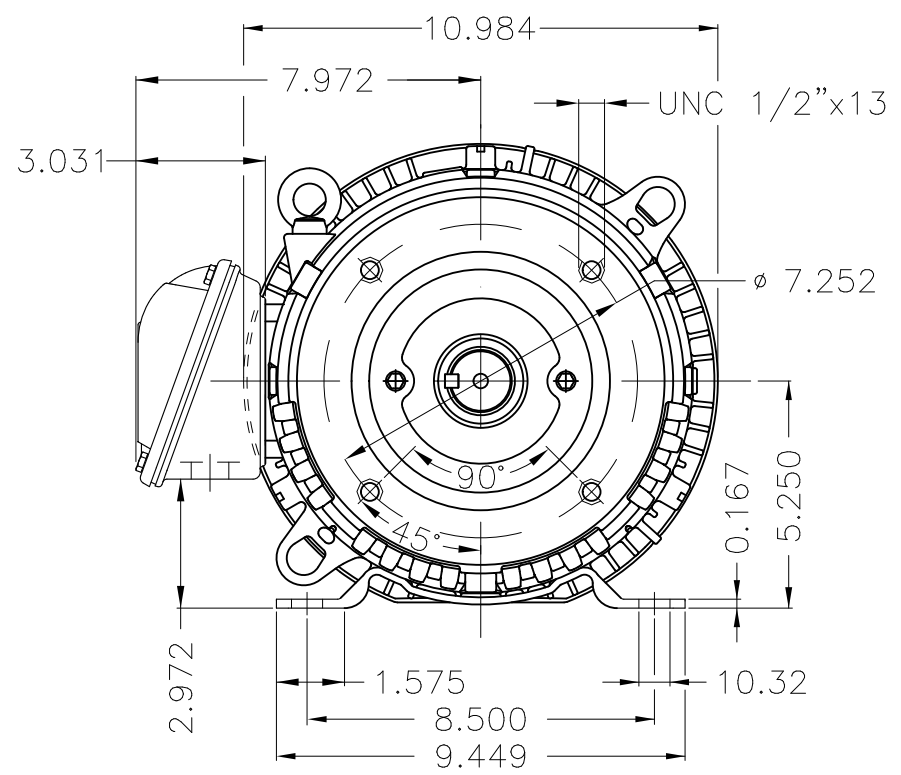
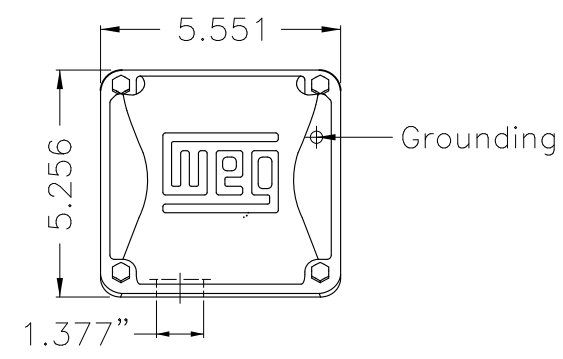
A

B

C

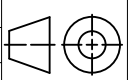
D

E



Dimensions in inches

Color Munsell N 1 matte black
 Painting plan 207N
 Mounting F-1/B34R(D)

ECM	LOC	SUMMARY OF MODIFICATIONS	EXECUTED	CHECKED	RELEASED	DATE	VER
EXECUTED	PIRWBUSER	 THREE PH. MOTOR ROLLED STEEL PREM. EFF. FRAME 213/5TC IP55 TEFC					
CHECKED							
RELEASED							
REL DT.		WMO Jaragua do Sul	Product Engineering	SHEET 1 / 1			

PREVIEW
WDD



10 HP 02 Poles 60 Hz

**NEMA
Premium**

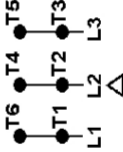
MADE IN MEXICO

MAT: 12845475 CC029A
W01.TE0IC0X0N
CT010502NPW01
28JAN2022 S/N:

For 60Hz: Class I, Zone 2, IIC
Class I, Div.2, Gr. A,B,C,D - T3
Div 2 Inverter Duty (SF1.00)
CT 2:1/VT 1000:1

PH 3	Hz 60	HP 10
FR 213/5TC		KW 7.5
DUTY CONT.		V 575
ALT 1000 m.a.s.l.		A 9.20
INS CL F AT 80K	IP55	SFA 10.6
AMB 40°C	DES B	SF 1.15
ENCL TEFC	CODE H	PF 0.91
		RPM 3530
		NEMA NOM. EFF 90.2%

For safe area-inverter duty motor For use on VPWM 1000:1 VT, 10:1 CT	
DE 6208-ZZ	ODE 6206-ZZ MOBIL POLYREX EM



T1-BLU
 T2-WHT
 T3-ORG
 T4-YEL
 T5-BLK
 T6-GRY

INTERCHANGE ANY TWO LINE WIRES TO REVERSE THE ROTATION

WARNING: Motor must be grounded in accordance with local and national electrical codes to prevent serious electrical shocks. Disconnect power source before servicing unit.



AVERTISSEMENT: Le moteur doit être mis à la terre conformément aux codes électriques locaux et nationaux afin d'éviter tout choc électrique grave. Déconnectez l'alimentation avant l'entretien de la machine.