

DATA SHEET



Three Phase Induction Motor - Squirrel Cage

Customer :				
Product line	: JP Pump NEMA Premium Efficiency Three-Phase	Product code :	14243692	
		Catalog # :	01036OT3E213JP-SG	
Frame	: 213/5JP	Cooling method	: IC01 - ODP	
Insulation class	: F	Mounting	: F-1	
Duty cycle	: Cont.(S1)	Rotation ¹	: Both (CW and CCW)	
Ambient temperature	: -20°C to +40°C	Starting method	: Direct On Line	
Altitude	: 1000 m.a.s.l.	Approx. weight ²	: 129 lb	
Design	: B	Moment of inertia (J)	: 0.4651 sq.ft.lb	
Output [HP]	10	10	10	
Poles	2	2	2	
Frequency [Hz]	60	50	50	
Rated voltage [V]	230/460	190/380	220/415	
Rated current [A]	24.0/12.0	29.0/14.5	26.0/13.8	
L. R. Amperes [A]	163/81.6	157/78.3	159/84.2	
LRC [A]	6.8x(Code H)	5.4x(Code F)	6.1x(Code G)	
No load current [A]	9.32/4.66	9.15/4.58	9.58/5.08	
Rated speed [RPM]	3535	2910	2925	
Slip [%]	1.81	3.00	2.50	
Rated torque [ft.lb]	14.9	18.0	18.0	
Locked rotor torque [%]	200	150	170	
Breakdown torque [%]	280	210	240	
Service factor	1.15	1.15	1.15	
Temperature rise	80 K	80 K	80 K	
Locked rotor time	19s (cold) 11s (hot)	0s (cold) 0s (hot)	0s (cold) 0s (hot)	
Noise level ²	66.0 dB(A)	64.0 dB(A)	64.0 dB(A)	
Efficiency (%)	25%	88.3	91.2	90.6
	50%	88.5	89.4	89.3
	75%	89.5	88.6	89.0
	100%	89.5	86.5	87.4
Power Factor	25%	0.47	0.53	0.49
	50%	0.74	0.80	0.77
	75%	0.84	0.88	0.86
	100%	0.88	0.91	0.90
Bearing type	: <u>Drive end</u> 6209 ZZ <u>Non drive end</u> 6206 ZZ	Foundation loads		
Sealing	: Without Without Bearing Seal Bearing Seal	Max. traction	: 178 lb	
		Max. compression	: 307 lb	
Lubrication interval	: - -			
Lubricant amount	: - -			
Lubricant type	: Mobil Polyrex EM			
Notes USABLE @208V 26.5A SF 1.00 SFA 26.5A				
This revision replaces and cancel the previous one, which must be eliminated. (1) Looking the motor from the shaft end. (2) Measured at 1m and with tolerance of +3dB(A). (3) Approximate weight subject to changes after manufacturing process. (4) At 100% of full load.		These are average values based on tests with sinusoidal power supply, subject to the tolerances stipulated in NEMA MG-1.		
Rev.	Changes Summary	Performed	Checked	Date
Performed by				
Checked by			Page	Revision
Date	12/04/2022		1 /	

TORQUE AND CURRENT VS SPEED CURVE

Three Phase Induction Motor - Squirrel Cage



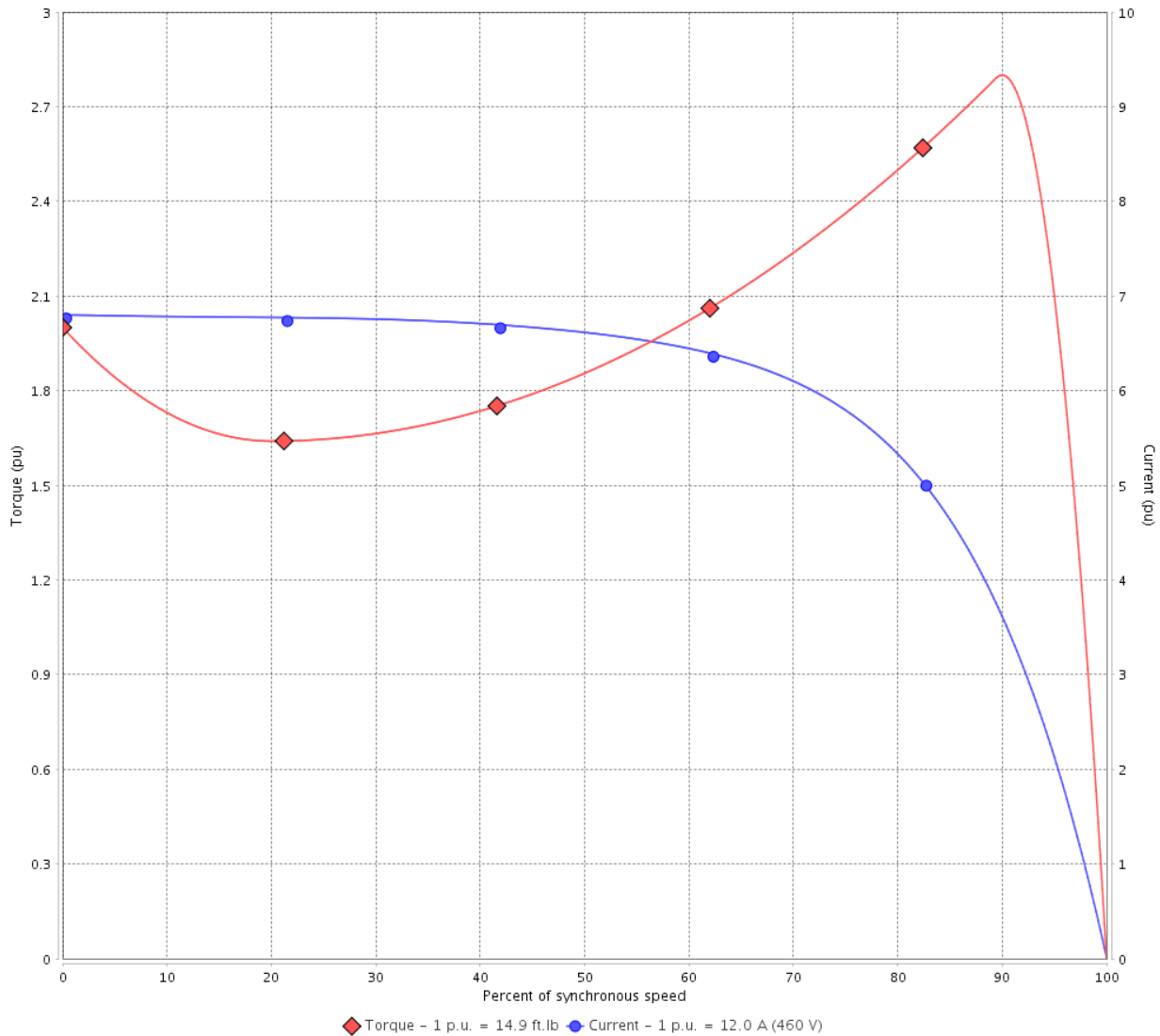
Customer :

Product line : JP Pump NEMA Premium
Efficiency Three-Phase

Product code : 14243692

Catalog # : 01036OT3E213JP-SG

TORQUE AND CURRENT VS SPEED CURVE



Performance : 230/460 V 60 Hz 2P

Rated current : 24.0/12.0 A
LRC : 6.8
Rated torque : 14.9 ft.lb
Locked rotor torque : 200 %
Breakdown torque : 280 %
Rated speed : 3535 rpm

Moment of inertia (J) : 0.4651 sq.ft.lb
Duty cycle : Cont.(S1)
Insulation class : F
Service factor : 1.15
Temperature rise : 80 K
Design : B

Locked rotor time : 19s (cold) 11s (hot)

Rev.	Changes Summary	Performed	Checked	Date
Performed by			Page 2 /	Revision
Checked by				
Date	12/04/2022			

TORQUE AND CURRENT VS SPEED CURVE



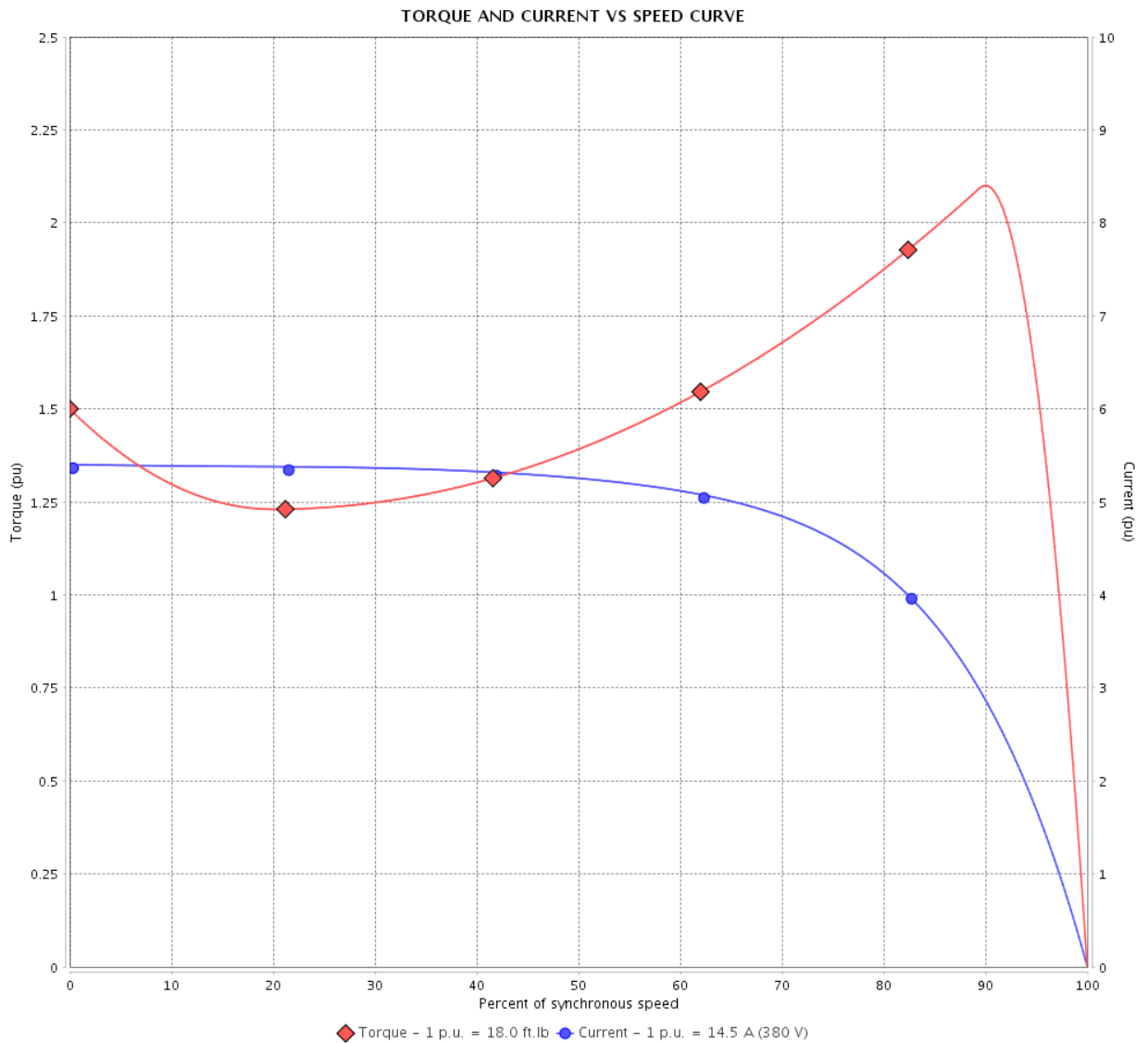
Three Phase Induction Motor - Squirrel Cage

Customer :

Product line : JP Pump NEMA Premium Efficiency Three-Phase

Product code : 14243692

Catalog # : 01036OT3E213JP-SG



Performance : 190/380 V 50 Hz 2P

Rated current : 29.0/14.5 A
 LRC : 5.4
 Rated torque : 18.0 ft.lb
 Locked rotor torque : 150 %
 Breakdown torque : 210 %
 Rated speed : 2910 rpm

Moment of inertia (J) : 0.4651 sq.ft.lb
 Duty cycle : Cont.(S1)
 Insulation class : F
 Service factor : 1.15
 Temperature rise : 80 K
 Design : B

Locked rotor time : 0s (cold) 0s (hot)

Rev.	Changes Summary	Performed	Checked	Date
Performed by			Page 3 /	Revision
Checked by				
Date	12/04/2022			

TORQUE AND CURRENT VS SPEED CURVE

Three Phase Induction Motor - Squirrel Cage



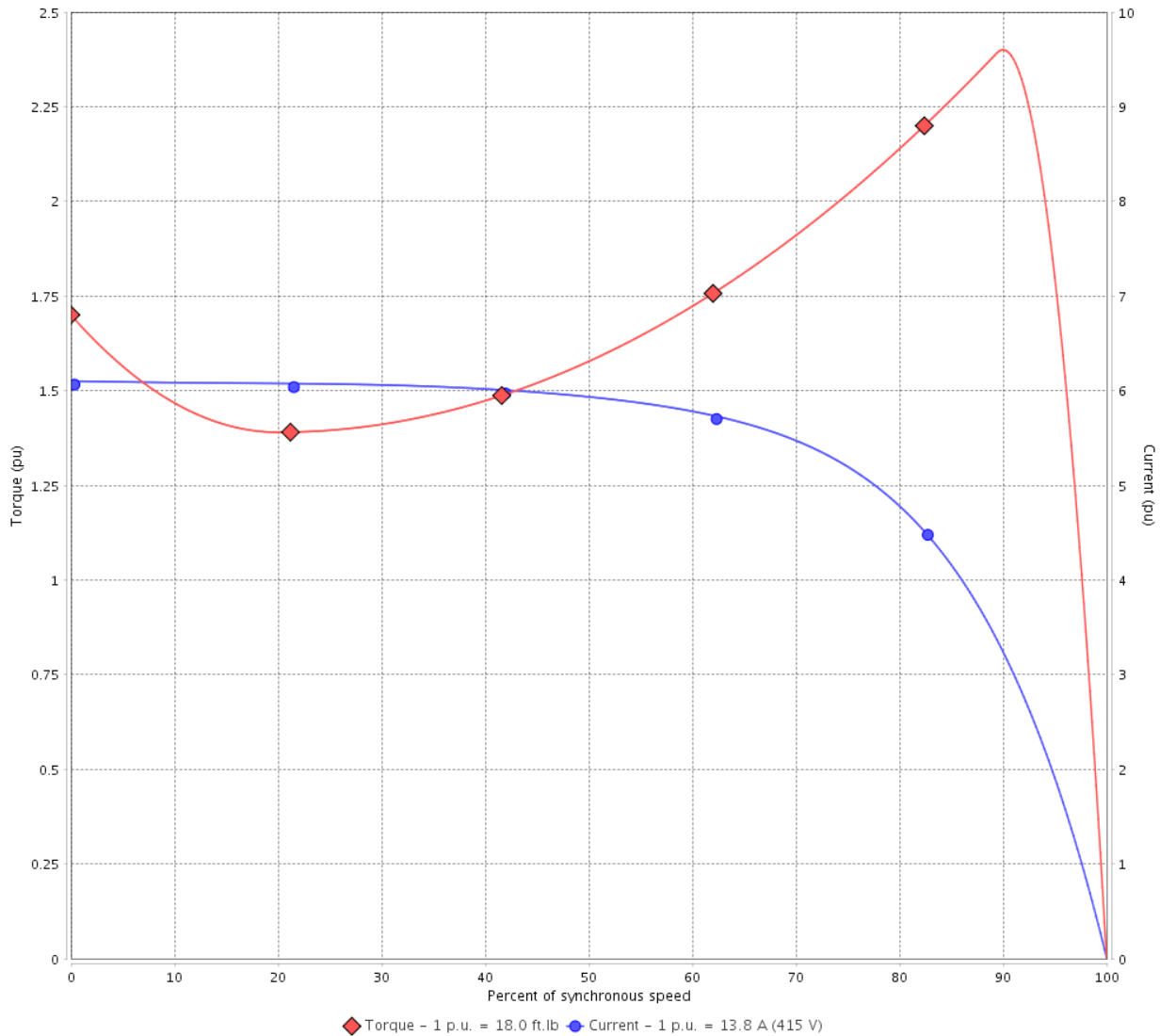
Customer :

Product line : JP Pump NEMA Premium
Efficiency Three-Phase

Product code : 14243692

Catalog # : 01036OT3E213JP-SG

TORQUE AND CURRENT VS SPEED CURVE



Performance : 220/415 V 50 Hz 2P

Rated current : 26.0/13.8 A
 LRC : 6.1
 Rated torque : 18.0 ft.lb
 Locked rotor torque : 170 %
 Breakdown torque : 240 %
 Rated speed : 2925 rpm

Moment of inertia (J) : 0.4651 sq.ft.lb
 Duty cycle : Cont.(S1)
 Insulation class : F
 Service factor : 1.15
 Temperature rise : 80 K
 Design : B

Locked rotor time : 0s (cold) 0s (hot)

Rev.	Changes Summary	Performed	Checked	Date
Performed by			Page 4 /	Revision
Checked by				
Date	12/04/2022			

LOAD PERFORMANCE CURVE

Three Phase Induction Motor - Squirrel Cage

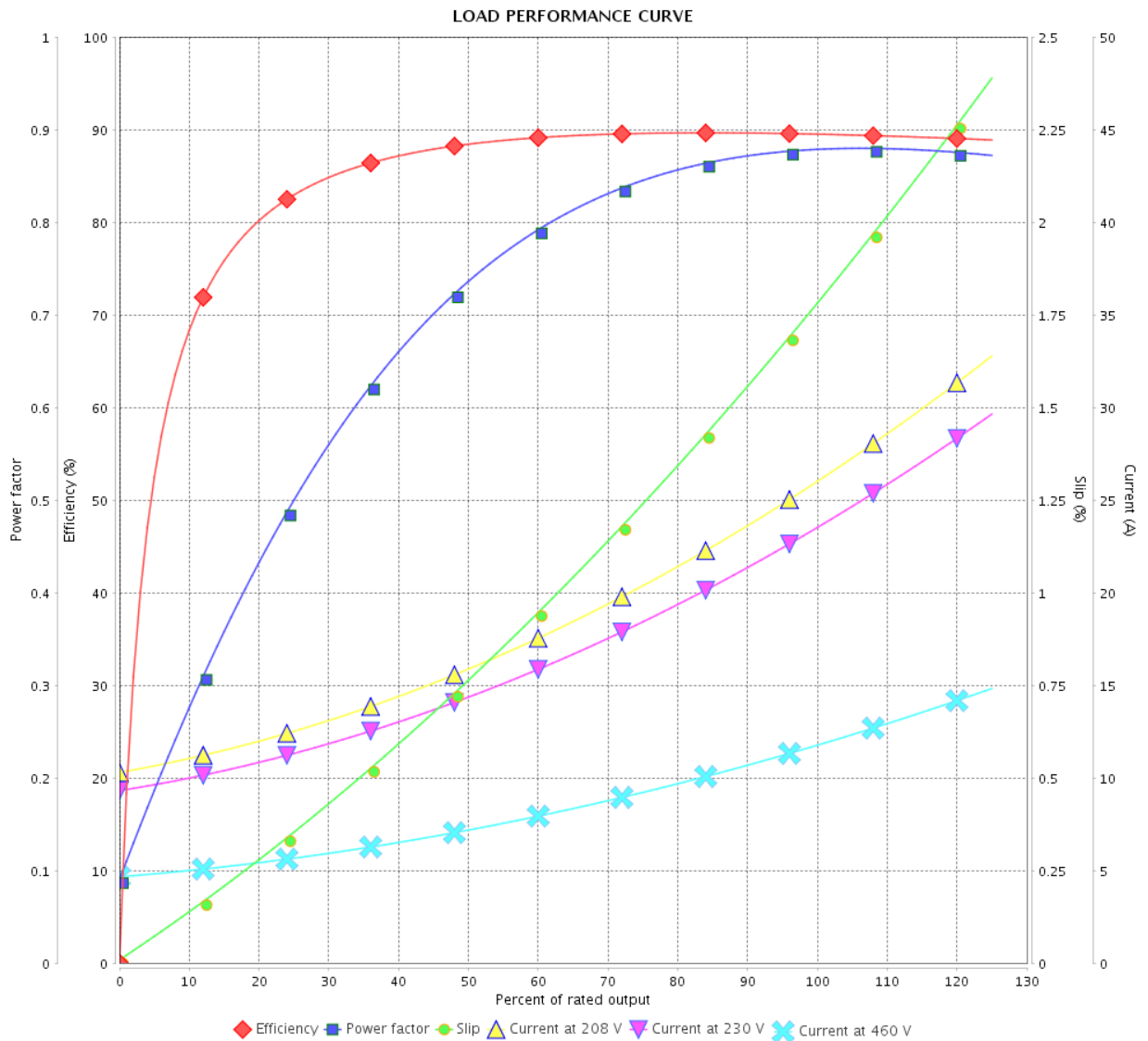


Customer :

Product line : JP Pump NEMA Premium Efficiency Three-Phase

Product code : 14243692

Catalog # : 01036OT3E213JP-SG



Performance : 230/460 V 60 Hz 2P

Rated current : 24.0/12.0 A
 LRC : 6.8
 Rated torque : 14.9 ft.lb
 Locked rotor torque : 200 %
 Breakdown torque : 280 %
 Rated speed : 3535 rpm

Moment of inertia (J) : 0.4651 sq.ft.lb
 Duty cycle : Cont.(S1)
 Insulation class : F
 Service factor : 1.15
 Temperature rise : 80 K
 Design : B

Rev.	Changes Summary	Performed	Checked	Date
Performed by		Page		Revision
Checked by		5 /		
Date		12/04/2022		

LOAD PERFORMANCE CURVE

Three Phase Induction Motor - Squirrel Cage

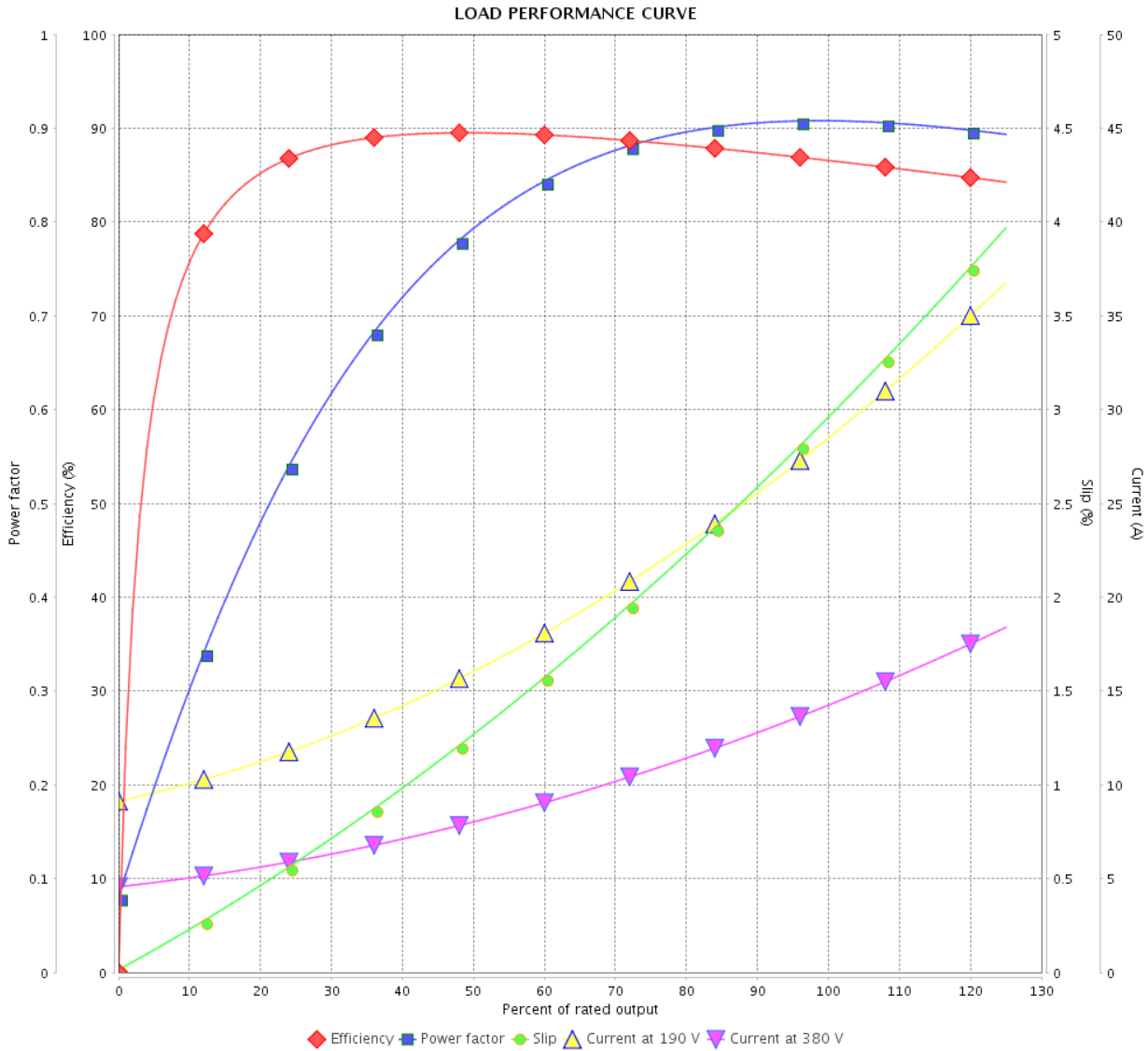


Customer :

Product line : JP Pump NEMA Premium
Efficiency Three-Phase

Product code : 14243692

Catalog # : 010360T3E213JP-SG



Performance : 190/380 V 50 Hz 2P

Rated current : 29.0/14.5 A
 LRC : 5.4
 Rated torque : 18.0 ft.lb
 Locked rotor torque : 150 %
 Breakdown torque : 210 %
 Rated speed : 2910 rpm

Moment of inertia (J) : 0.4651 sq.ft.lb
 Duty cycle : Cont.(S1)
 Insulation class : F
 Service factor : 1.15
 Temperature rise : 80 K
 Design : B

Rev.	Changes Summary	Performed	Checked	Date
Performed by			Page	Revision
Checked by				
Date				
			6 /	

LOAD PERFORMANCE CURVE

Three Phase Induction Motor - Squirrel Cage

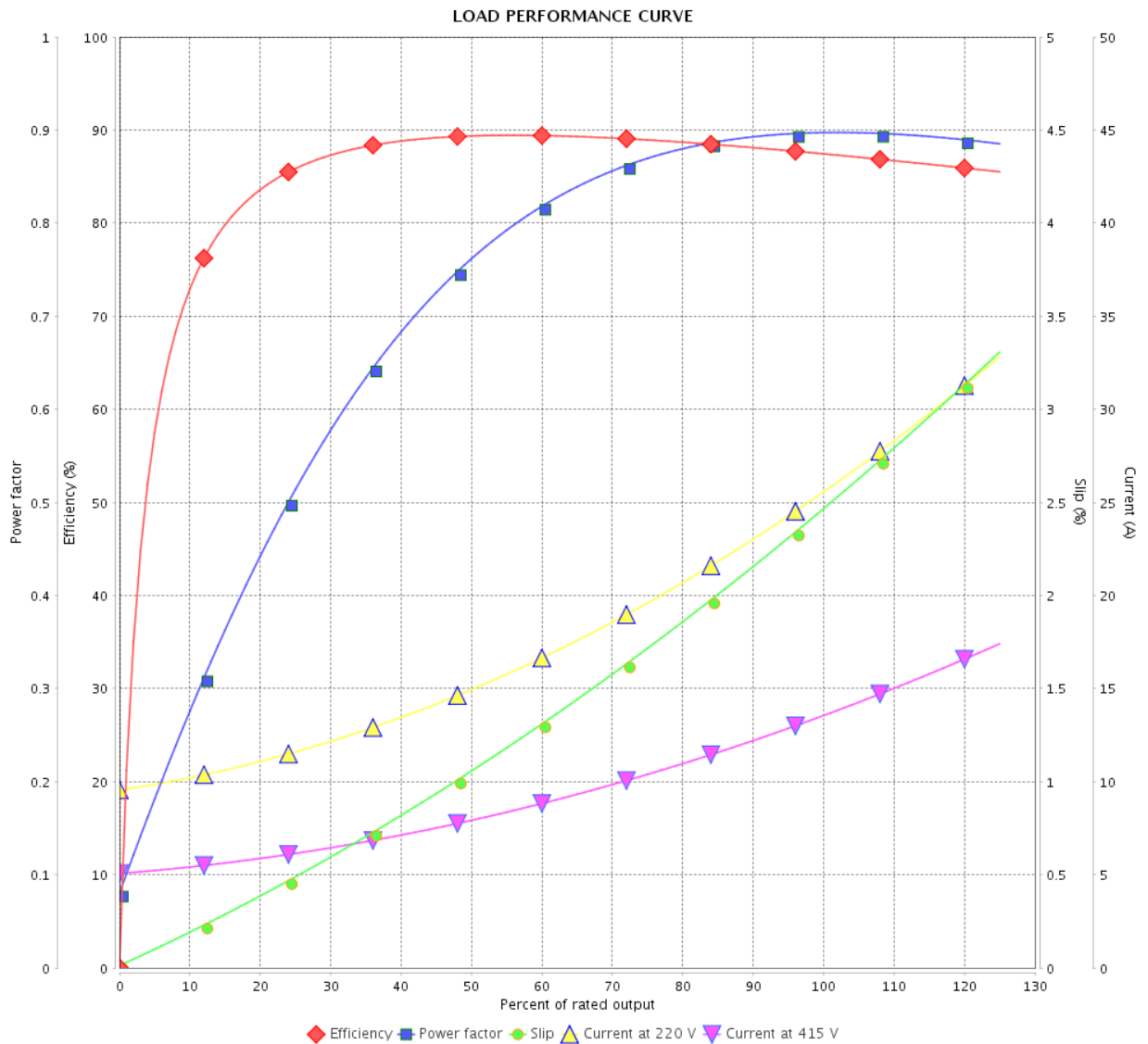


Customer : _____

Product line : JP Pump NEMA Premium
Efficiency Three-Phase

Product code : 14243692

Catalog # : 01036OT3E213JP-SG



Performance : 220/415 V 50 Hz 2P

Rated current : 26.0/13.8 A
 LRC : 6.1
 Rated torque : 18.0 ft.lb
 Locked rotor torque : 170 %
 Breakdown torque : 240 %
 Rated speed : 2925 rpm

Moment of inertia (J) : 0.4651 sq.ft.lb
 Duty cycle : Cont.(S1)
 Insulation class : F
 Service factor : 1.15
 Temperature rise : 80 K
 Design : B

Rev.	Changes Summary	Performed	Checked	Date
Performed by		Page		Revision
Checked by		7 /		
Date		12/04/2022		

THERMAL LIMIT CURVE



Three Phase Induction Motor - Squirrel Cage

Customer :

Product line : JP Pump NEMA Premium
Efficiency Three-Phase

Product code : 14243692

Catalog # : 01036OT3E213JP-SG

Performance : 230/460 V 60 Hz 2P

Rated current : 24.0/12.0 A
LRC : 6.8
Rated torque : 14.9 ft.lb
Locked rotor torque : 200 %
Breakdown torque : 280 %
Rated speed : 3535 rpm

Moment of inertia (J) : 0.4651 sq.ft.lb
Duty cycle : Cont.(S1)
Insulation class : F
Service factor : 1.15
Temperature rise : 80 K
Design : B

Heating constant

Cooling constant

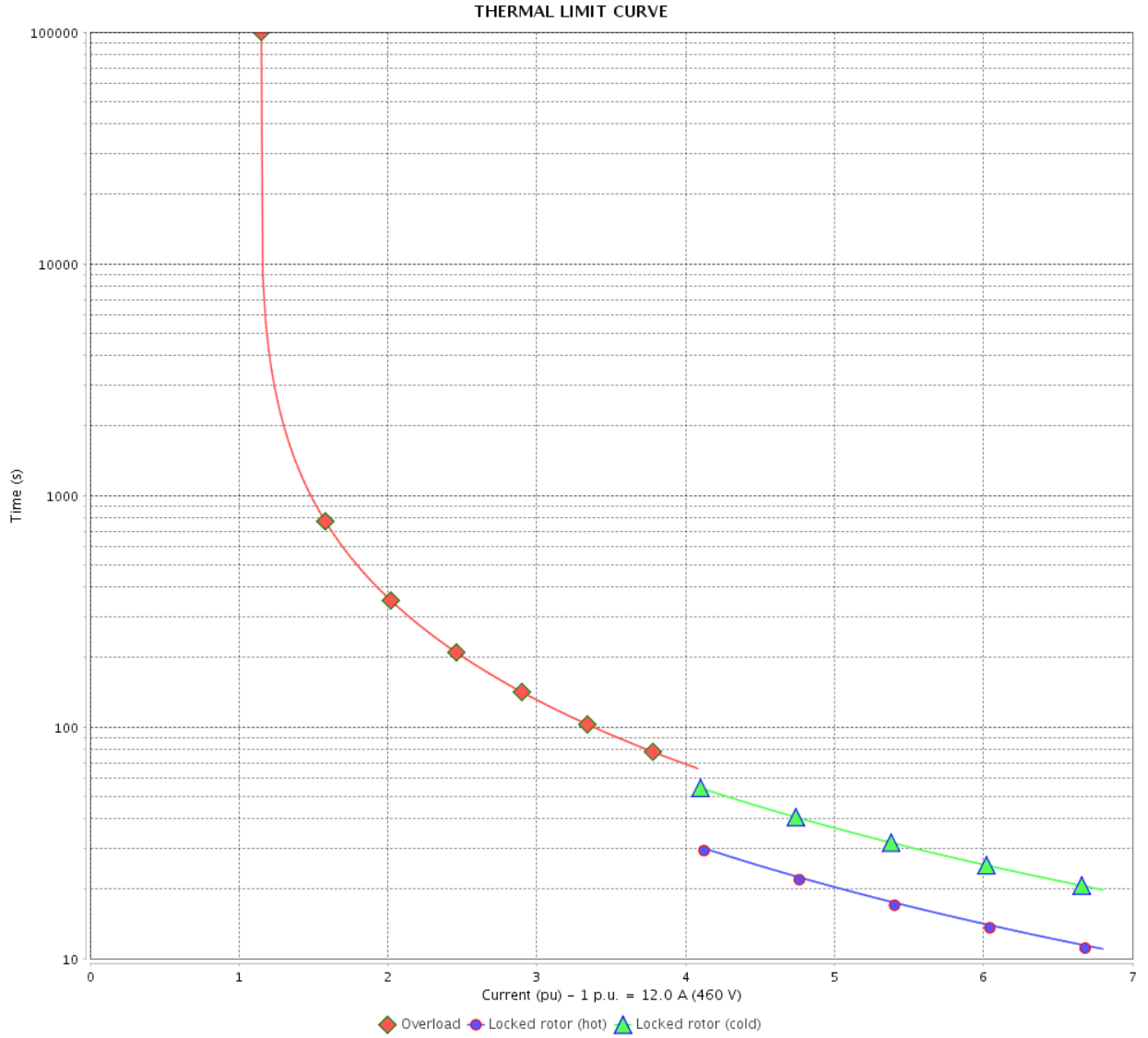
Rev.	Changes Summary	Performed	Checked	Date
Performed by			Page	Revision
Checked by			8 /	
Date	12/04/2022			

THERMAL LIMIT CURVE

Three Phase Induction Motor - Squirrel Cage



Customer : _____



Rev.	Changes Summary	Performed	Checked	Date
Performed by		Page Revision 9 /		
Checked by				
Date				

THERMAL LIMIT CURVE



Three Phase Induction Motor - Squirrel Cage

Customer :

Product line : JP Pump NEMA Premium
Efficiency Three-Phase

Product code : 14243692

Catalog # : 01036OT3E213JP-SG

Performance : 190/380 V 50 Hz 2P

Rated current : 29.0/14.5 A
LRC : 5.4
Rated torque : 18.0 ft.lb
Locked rotor torque : 150 %
Breakdown torque : 210 %
Rated speed : 2910 rpm

Moment of inertia (J) : 0.4651 sq.ft.lb
Duty cycle : Cont.(S1)
Insulation class : F
Service factor : 1.15
Temperature rise : 80 K
Design : B

Heating constant

Cooling constant

Rev.	Changes Summary	Performed	Checked	Date
Performed by				
Checked by				
Date	12/04/2022			

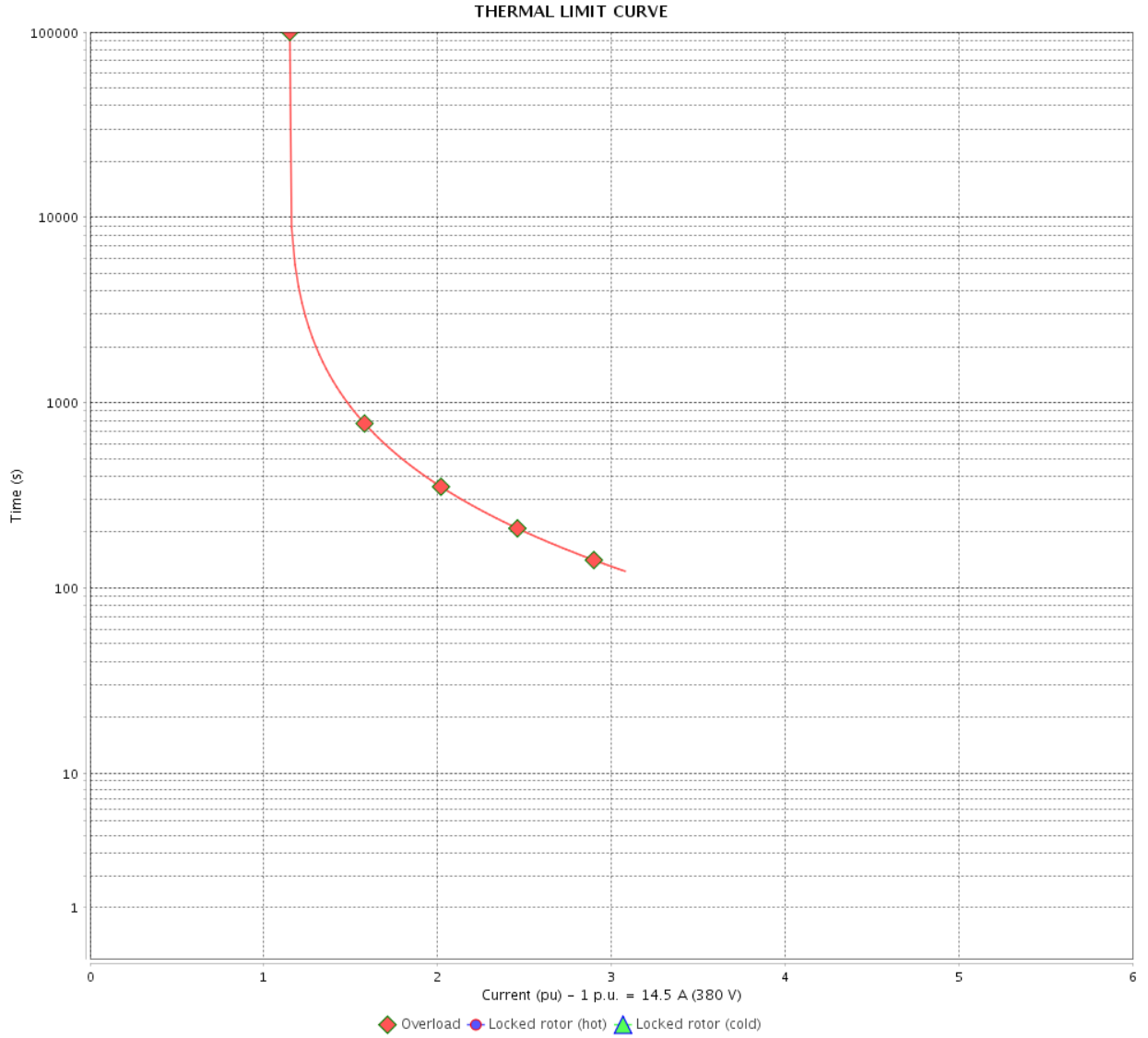
Page 10 / Revision

THERMAL LIMIT CURVE

Three Phase Induction Motor - Squirrel Cage



Customer : _____



Rev.	Changes Summary	Performed	Checked	Date
Performed by		Page		Revision
Checked by		11 /		
Date		12/04/2022		

THERMAL LIMIT CURVE



Three Phase Induction Motor - Squirrel Cage

Customer :

Product line : JP Pump NEMA Premium
Efficiency Three-Phase

Product code : 14243692

Catalog # : 01036OT3E213JP-SG

Performance : 220/415 V 50 Hz 2P

Rated current : 26.0/13.8 A
LRC : 6.1
Rated torque : 18.0 ft.lb
Locked rotor torque : 170 %
Breakdown torque : 240 %
Rated speed : 2925 rpm

Moment of inertia (J) : 0.4651 sq.ft.lb
Duty cycle : Cont.(S1)
Insulation class : F
Service factor : 1.15
Temperature rise : 80 K
Design : B

Heating constant

Cooling constant

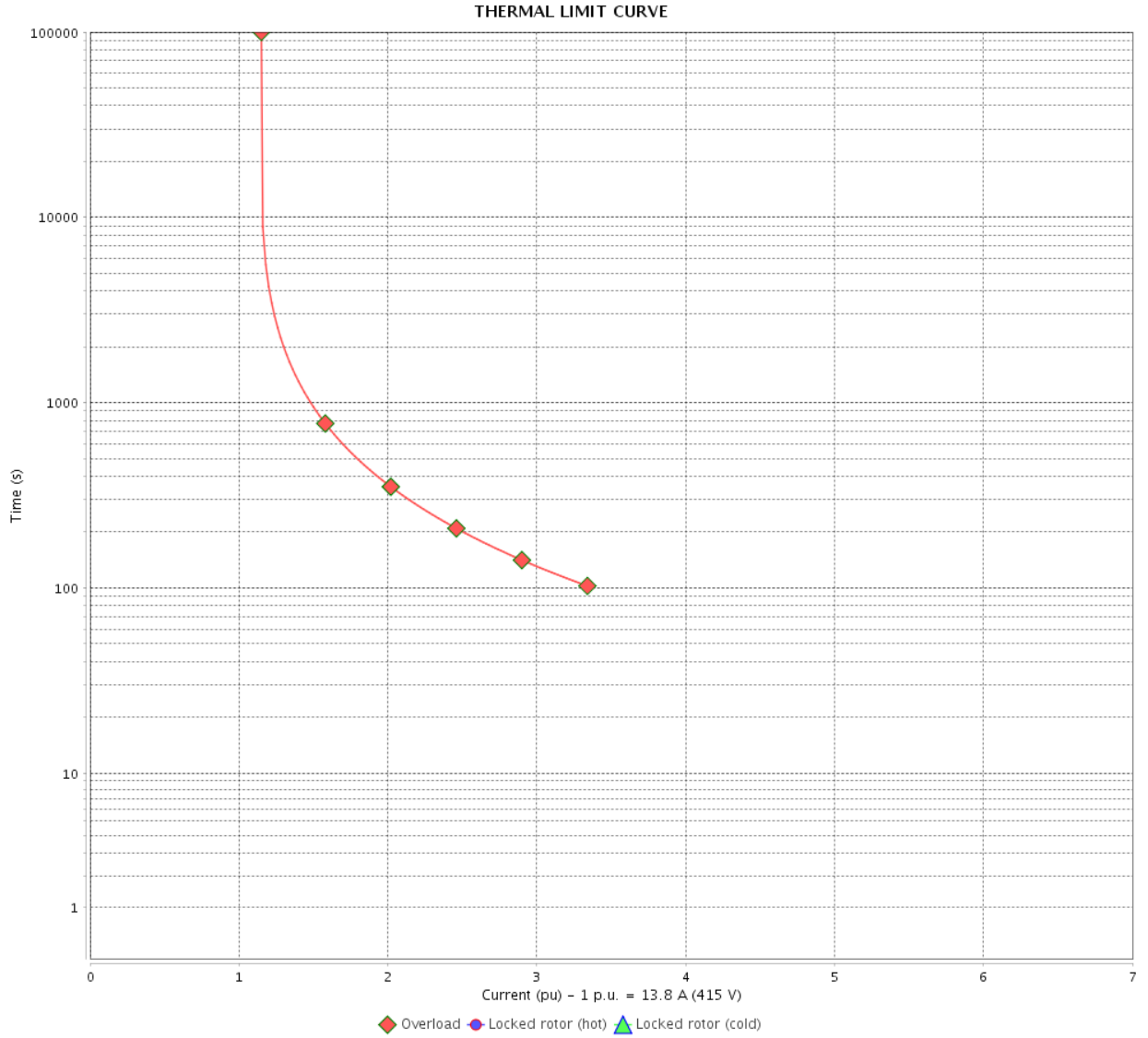
Rev.	Changes Summary	Performed	Checked	Date
Performed by				
Checked by			Page	Revision
Date	12/04/2022		12 /	

THERMAL LIMIT CURVE

Three Phase Induction Motor - Squirrel Cage



Customer : _____



Rev.	Changes Summary	Performed	Checked	Date
Performed by		Page		Revision
Checked by		13 /		
Date		12/04/2022		

VFD OPERATION CURVE

Three Phase Induction Motor - Squirrel Cage

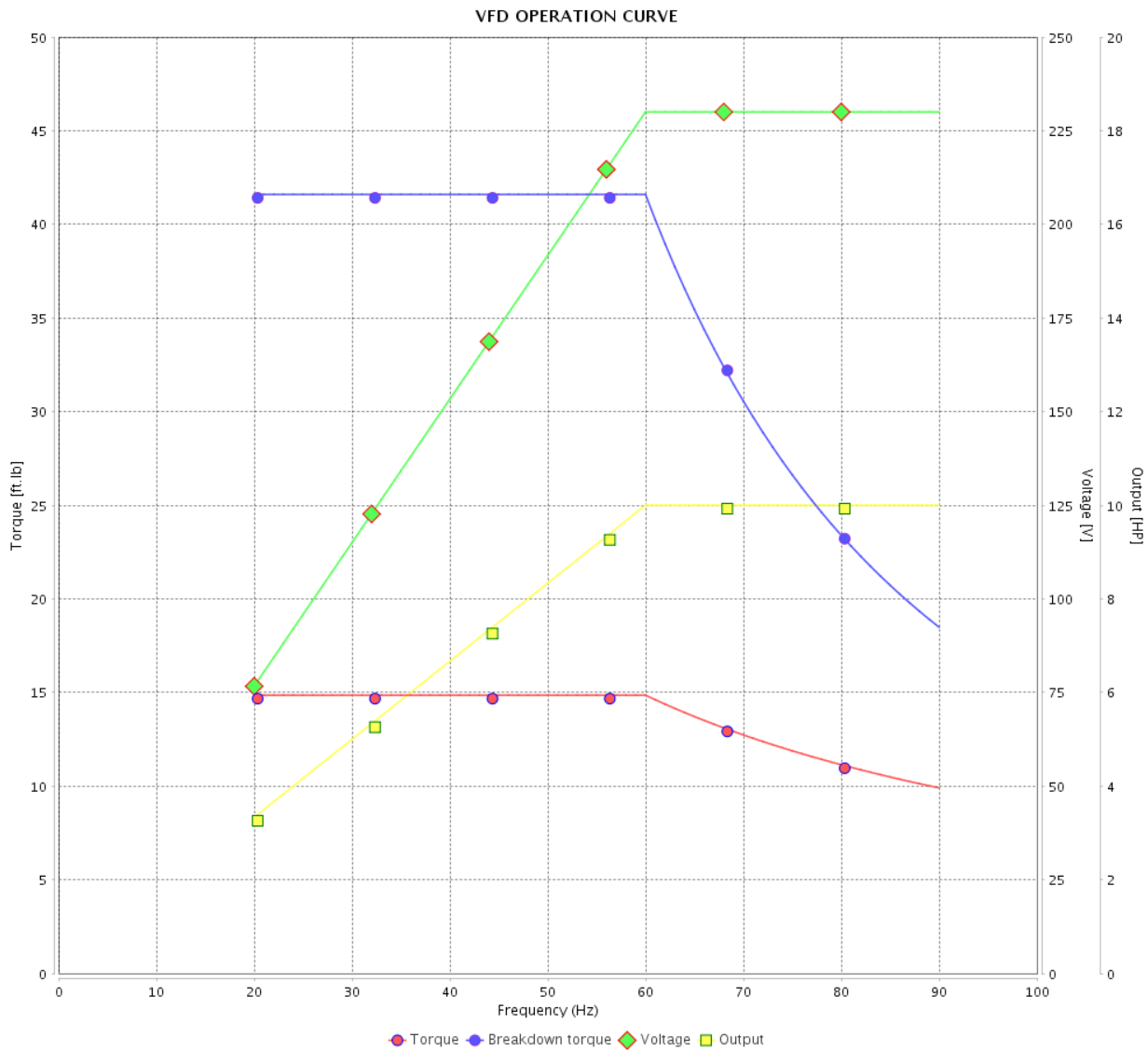


Customer :

Product line : JP Pump NEMA Premium Efficiency Three-Phase

Product code : 14243692

Catalog # : 01036OT3E213JP-SG



Performance : 230/460 V 60 Hz 2P

Rated current : 24.0/12.0 A
 LRC : 6.8
 Rated torque : 14.9 ft.lb
 Locked rotor torque : 200 %
 Breakdown torque : 280 %
 Rated speed : 3535 rpm

Moment of inertia (J) : 0.4651 sq.ft.lb
 Duty cycle : Cont.(S1)
 Insulation class : F
 Service factor : 1.15
 Temperature rise : 80 K
 Design : B

Rev.	Changes Summary	Performed	Checked	Date
Performed by			Page	Revision
Checked by			14 /	
Date	12/04/2022			

1 2 3 4 5 6

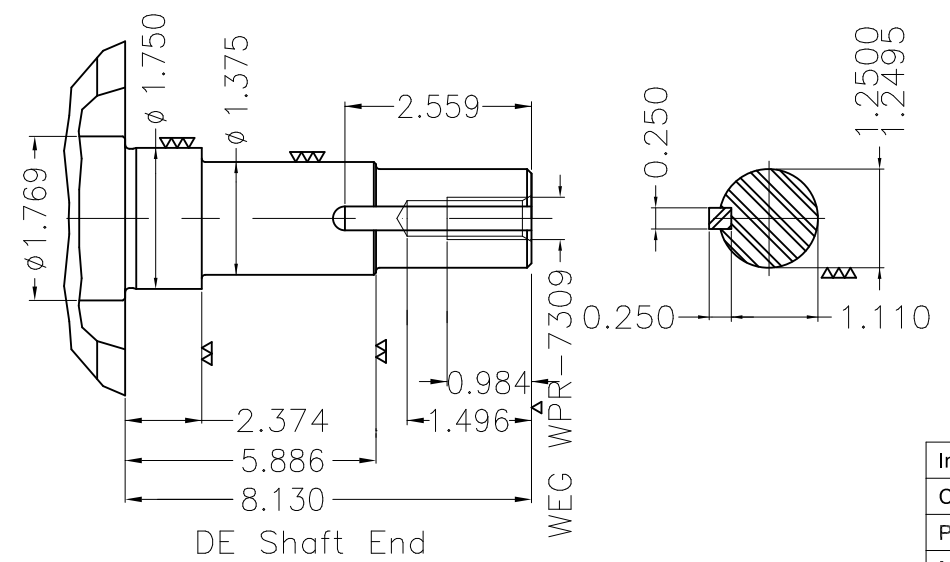
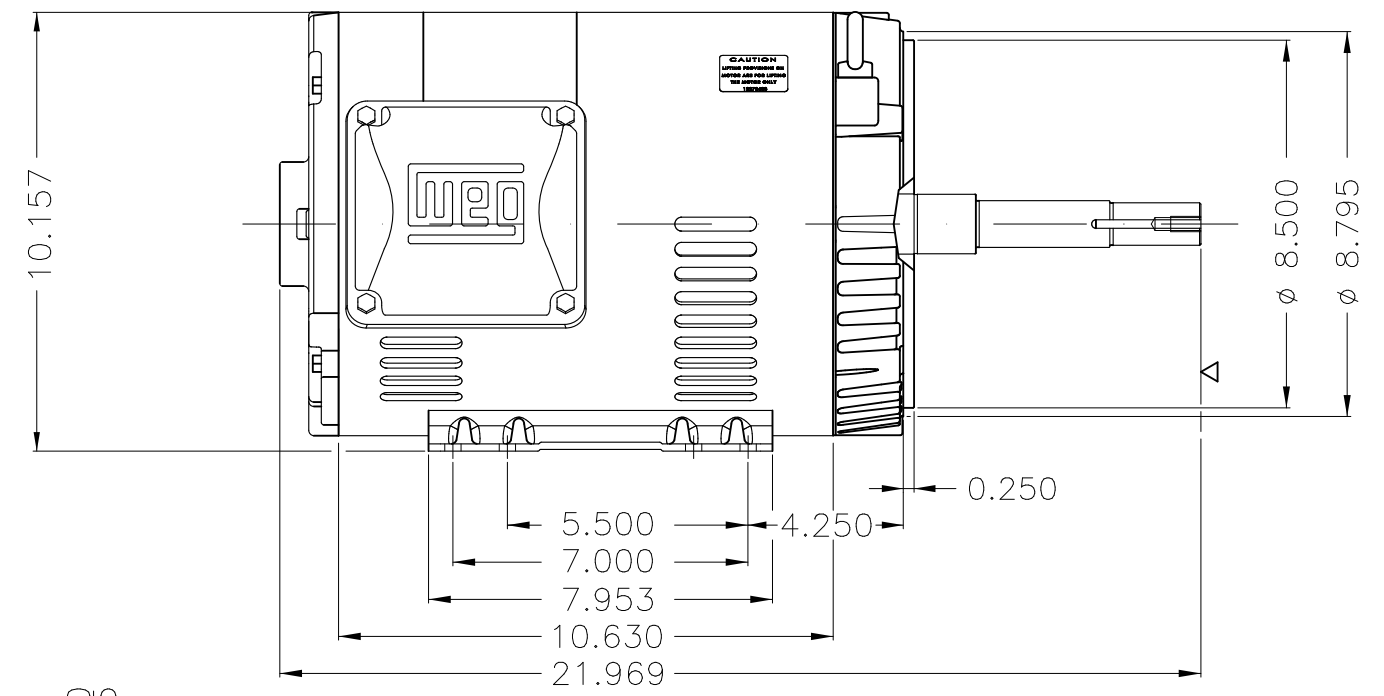
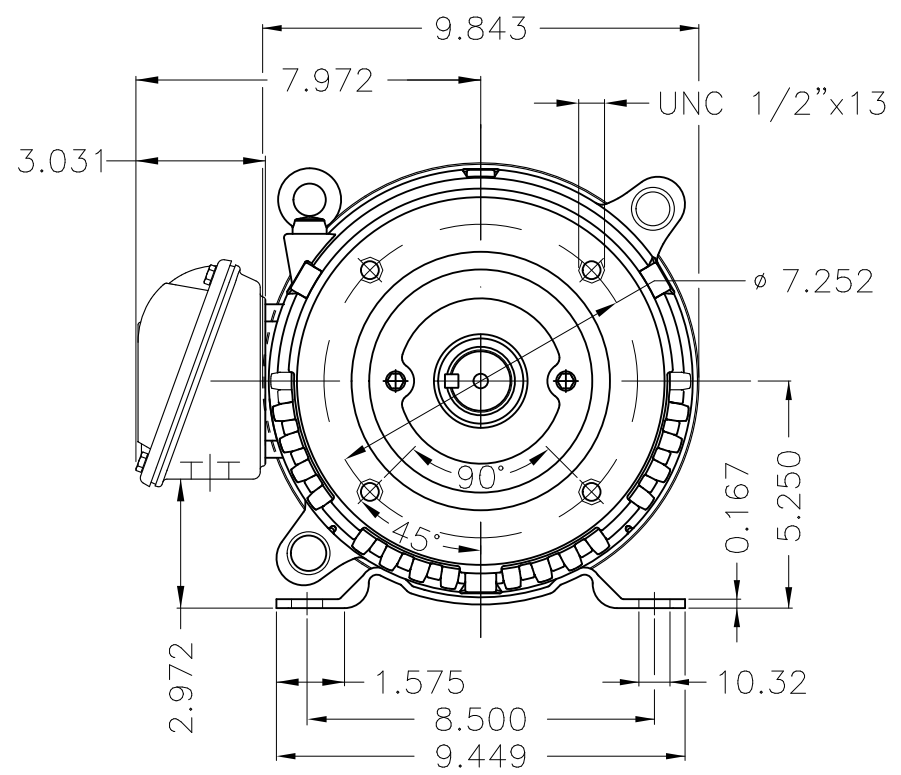
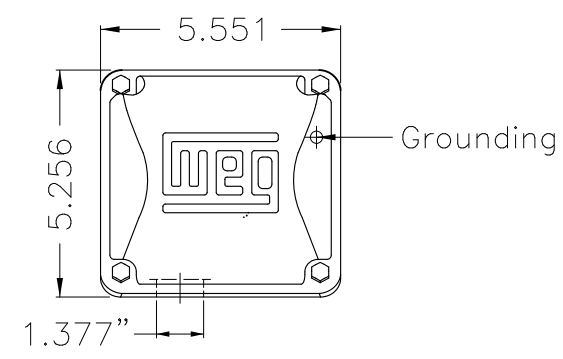
A

B

C

D

E



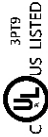
EUNC 1/2"-13 WEG WPR-7309

Internal AEGIS ground ring on the DE
 Color Munsell N 1 matte black
 Painting plan 207N
 Mounting F-1/B34R(D)

ECM	LOC	SUMMARY OF MODIFICATIONS	EXECUTED	CHECKED	RELEASED	DATE	VER
EXECUTED	PIRWBUSER	THREE PH. MOTOR ROLLED STEEL CLOSE COUPLED PUMP JP 5/5 DE PREM LFA					
CHECKED		FRAME 213/5JP IP21 ODP					
RELEASED							
REL DT.	WMO	Jaragua do Sul	Product Engineering	WDD	SHEET	1 / 1	

10 HP 02 Poles 60 Hz



WEG
NEMA
Premium

3PT9



Energy Verified

MADE IN MEXICO

MAT: 14243692 CC029A

W01.T00IC0X0N

MODEL 010360T3E213JP-SG

21MAI2018 S/N:

PH 3 FR 213/5JP HP(KW) 10(7.5) Hz 60

V 230/460 RPM 3535

A 24.0/12.0 DUTY CONT.

SFA 27.6/13.8 CODE H DES B

SF 1.15 INS CL F AT 80K AMB 40°C ENCL ODP

PF 0.88 NEMA NOM.EFF. 89.5%

ALT 1000 m.a.s.l. USABLE @ 208V 26.5A SF1.00

ALTERNATE RATING: 10HP 50Hz 190-220/380-415V SF1.15

29.0-25.1/14.5-13.3A 2910RPM EFF 86.5% (IE1) IEC 60034-1



INTERCHANGE ANY TWO LINE WIRES TO REVERSE THE ROTATION

Inverter duty For 60Hz use on VPWM 1000:1 VT, 3:1 CT

DE: 6209-ZZ ODE: 6206-ZZ MOBIL POLYREX EM

WARNING: Motor must be grounded in accordance with local and national electrical codes to prevent serious electrical shocks. Disconnect power source before servicing unit.

AVERTISSEMENT: Le moteur doit être mis à la terre conformément aux codes électriques locaux et nationaux afin d'éviter tout choc électrique grave. Déconnectez l'alimentation avant l'entretien de la machine.

