

DATA SHEET



Three Phase Induction Motor - Squirrel Cage

Customer :

Product line : JM Pump NEMA Premium
Efficiency Three-Phase

Product code : 13500440

Catalog # : 01036OT3H213JMV-S

Frame : 213/5JM
Output : 10 HP (7.5 kW)
Poles : 2
Frequency : 60 Hz
Rated voltage : 575 V
Rated current : 9.60 A
L. R. Amperes : 65.3 A
LRC : 6.8x(Code H)
No load current : 3.73 A
Rated speed : 3535 rpm
Slip : 1.81 %
Rated torque : 14.9 ft.lb
Locked rotor torque : 200 %
Breakdown torque : 280 %
Insulation class : F
Service factor : 1.15
Moment of inertia (J) : 0.4651 sq.ft.lb
Design : B

Locked rotor time : 19s (cold) 11s (hot)
Temperature rise : 80 K
Duty cycle : Cont.(S1)
Ambient temperature : -20°C to +40°C
Altitude : 1000 m.a.s.l.
Cooling method : IC01 - ODP
Mounting : W-6
Rotation¹ : Both (CW and CCW)
Noise level² : 66.0 dB(A)
Starting method : Direct On Line
Approx. weight³ : 117 lb

Output	25%	50%	75%	100%
--------	-----	-----	-----	------

Efficiency (%)	88.3	88.5	89.5	89.5
Power Factor	0.47	0.74	0.84	0.88

Foundation loads

Max. traction : 176 lb
Max. compression : 293 lb

	Drive end	Non drive end
Bearing type	6209 ZZ	6206 ZZ
Sealing	Without Bearing Seal	Without Bearing Seal
Lubrication interval	-	-
Lubricant amount	-	-
Lubricant type	Mobil Polyrex EM	

Notes

This revision replaces and cancel the previous one, which must be eliminated.

- (1) Looking the motor from the shaft end.
- (2) Measured at 1m and with tolerance of +3dB(A).
- (3) Approximate weight subject to changes after manufacturing process.
- (4) At 100% of full load.

These are average values based on tests with sinusoidal power supply, subject to the tolerances stipulated in NEMA MG-1.

Rev.	Changes Summary	Performed	Checked	Date
Performed by		Page		Revision
Checked by		1 / 6		
Date	12/04/2022			

TORQUE AND CURRENT VS SPEED CURVE

Three Phase Induction Motor - Squirrel Cage



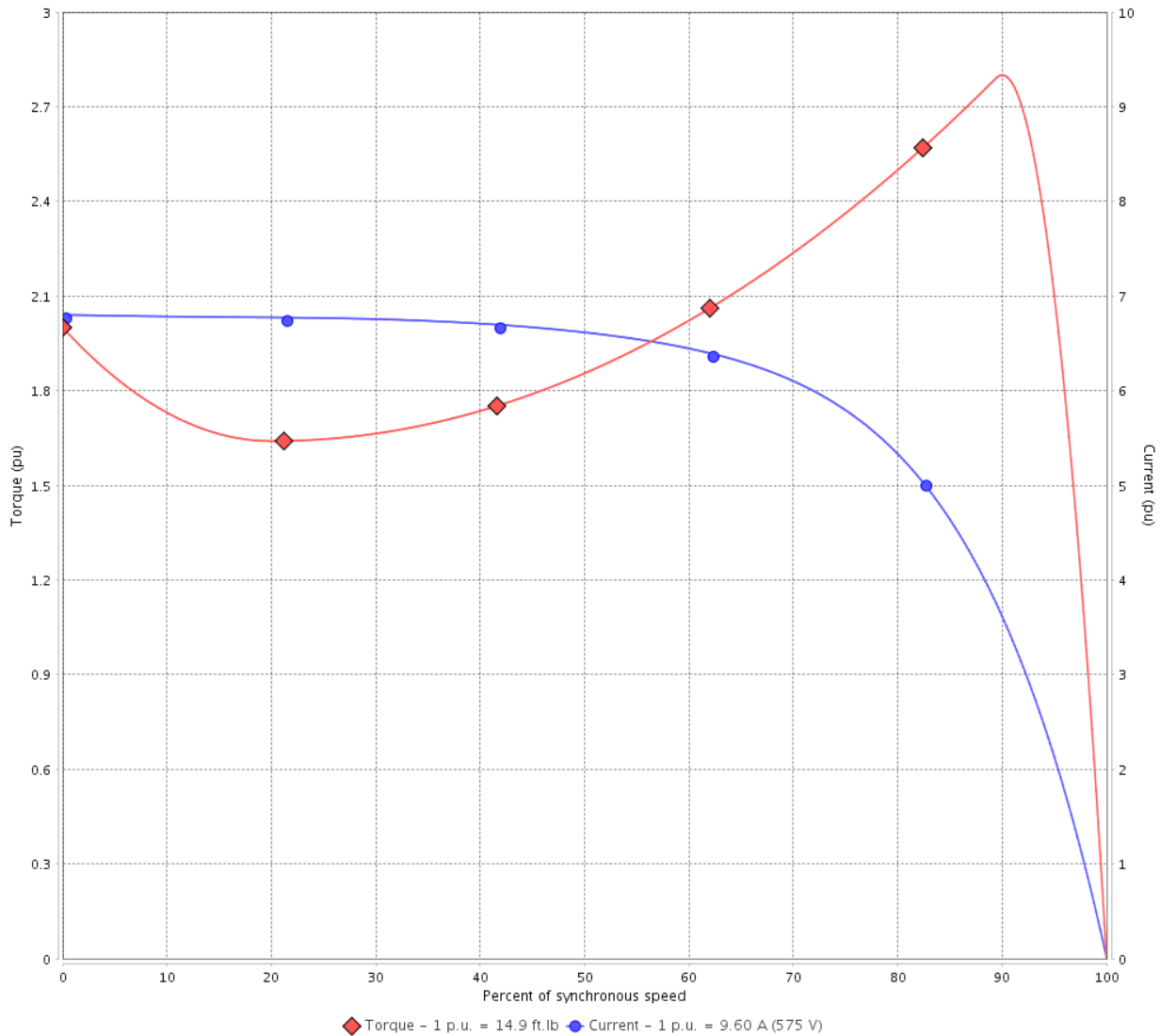
Customer :

Product line : JM Pump NEMA Premium
Efficiency Three-Phase

Product code : 13500440

Catalog # : 01036OT3H213JMV-S

TORQUE AND CURRENT VS SPEED CURVE



Performance : 575 V 60 Hz 2P

Rated current	: 9.60 A	Moment of inertia (J)	: 0.4651 sq.ft.lb
LRC	: 6.8	Duty cycle	: Cont.(S1)
Rated torque	: 14.9 ft.lb	Insulation class	: F
Locked rotor torque	: 200 %	Service factor	: 1.15
Breakdown torque	: 280 %	Temperature rise	: 80 K
Rated speed	: 3535 rpm	Design	: B

Locked rotor time : 19s (cold) 11s (hot)

Rev.	Changes Summary	Performed	Checked	Date
Performed by			Page 2 / 6	Revision
Checked by				
Date	12/04/2022			

LOAD PERFORMANCE CURVE

Three Phase Induction Motor - Squirrel Cage

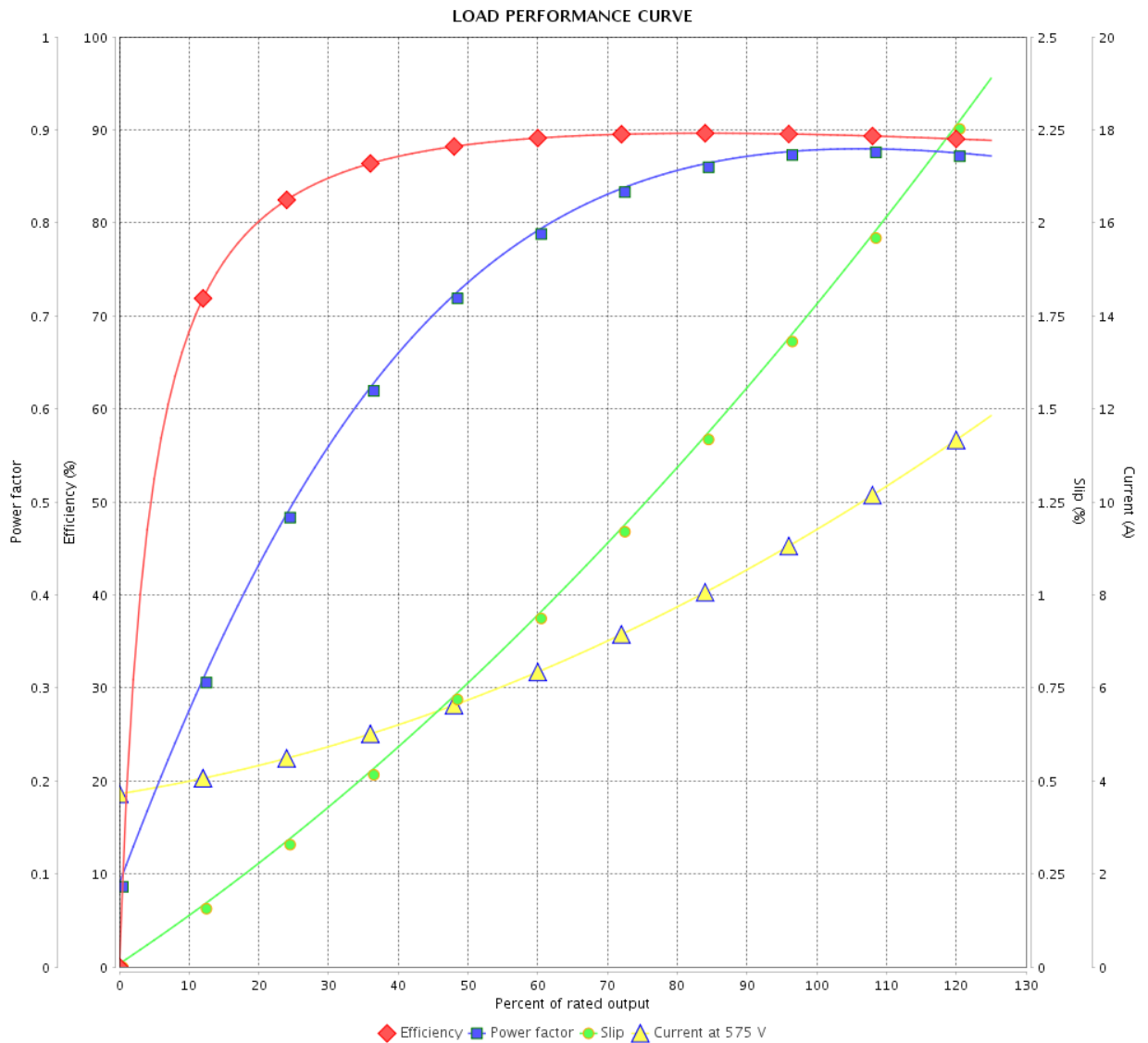


Customer : _____

Product line : JM Pump NEMA Premium
Efficiency Three-Phase

Product code : 13500440

Catalog # : 01036OT3H213JMV-S



Performance : 575 V 60 Hz 2P

Rated current : 9.60 A
LRC : 6.8
Rated torque : 14.9 ft.lb
Locked rotor torque : 200 %
Breakdown torque : 280 %
Rated speed : 3535 rpm

Moment of inertia (J) : 0.4651 sq.ft.lb
Duty cycle : Cont.(S1)
Insulation class : F
Service factor : 1.15
Temperature rise : 80 K
Design : B

Rev.	Changes Summary	Performed	Checked	Date
Performed by		Page		Revision
Checked by		3 / 6		
Date	12/04/2022			

THERMAL LIMIT CURVE



Three Phase Induction Motor - Squirrel Cage

Customer :

Product line : JM Pump NEMA Premium
Efficiency Three-Phase

Product code : 13500440

Catalog # : 01036OT3H213JMV-S

Performance : 575 V 60 Hz 2P

Rated current : 9.60 A
LRC : 6.8
Rated torque : 14.9 ft.lb
Locked rotor torque : 200 %
Breakdown torque : 280 %
Rated speed : 3535 rpm

Moment of inertia (J) : 0.4651 sq.ft.lb
Duty cycle : Cont.(S1)
Insulation class : F
Service factor : 1.15
Temperature rise : 80 K
Design : B

Heating constant

Cooling constant

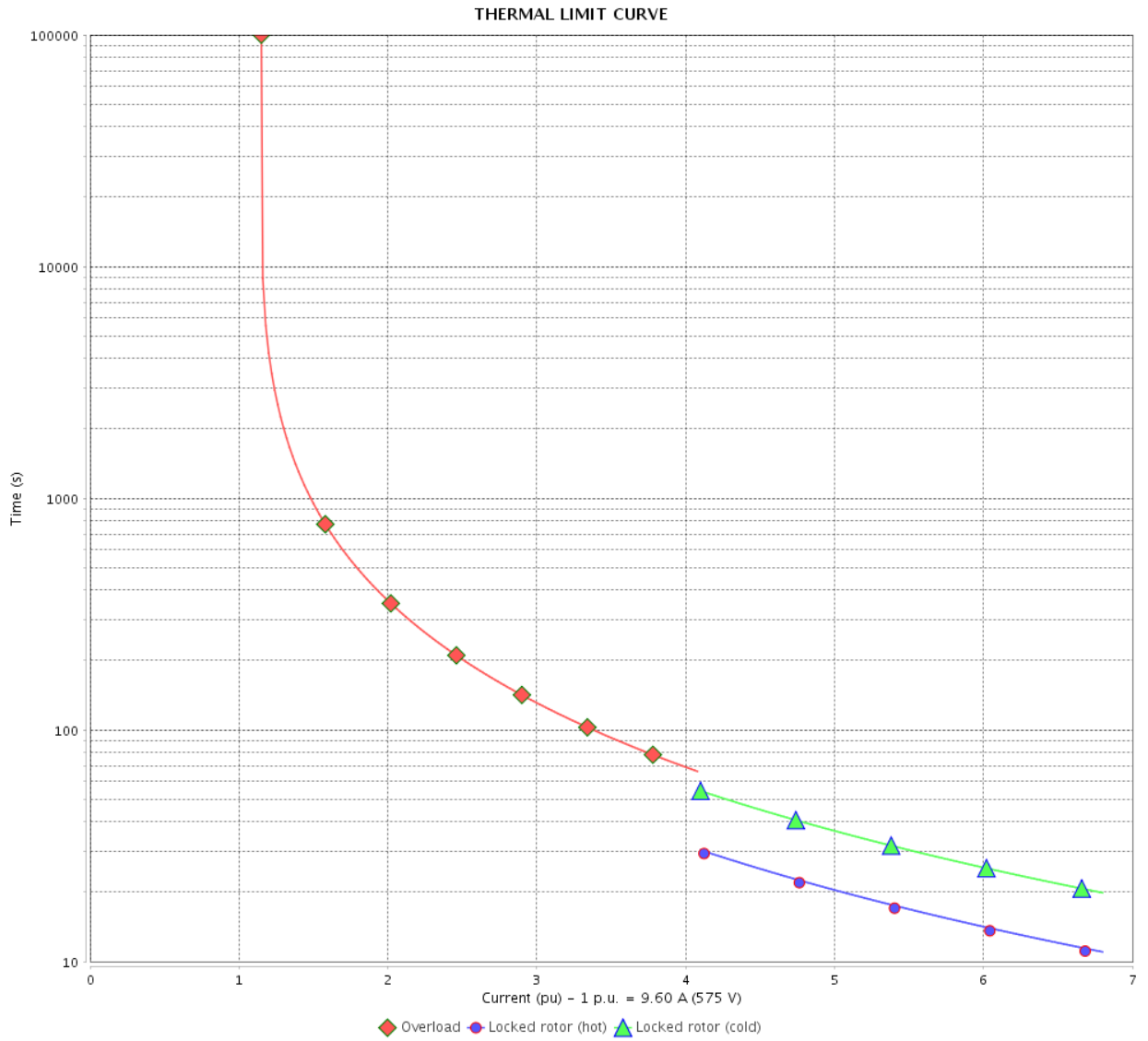
Rev.	Changes Summary	Performed	Checked	Date
Performed by				
Checked by			Page	Revision
Date	12/04/2022		4 / 6	

THERMAL LIMIT CURVE

Three Phase Induction Motor - Squirrel Cage



Customer : _____



Rev.	Changes Summary	Performed	Checked	Date
Performed by		Page		Revision
Checked by				
Date				

VFD OPERATION CURVE

Three Phase Induction Motor - Squirrel Cage



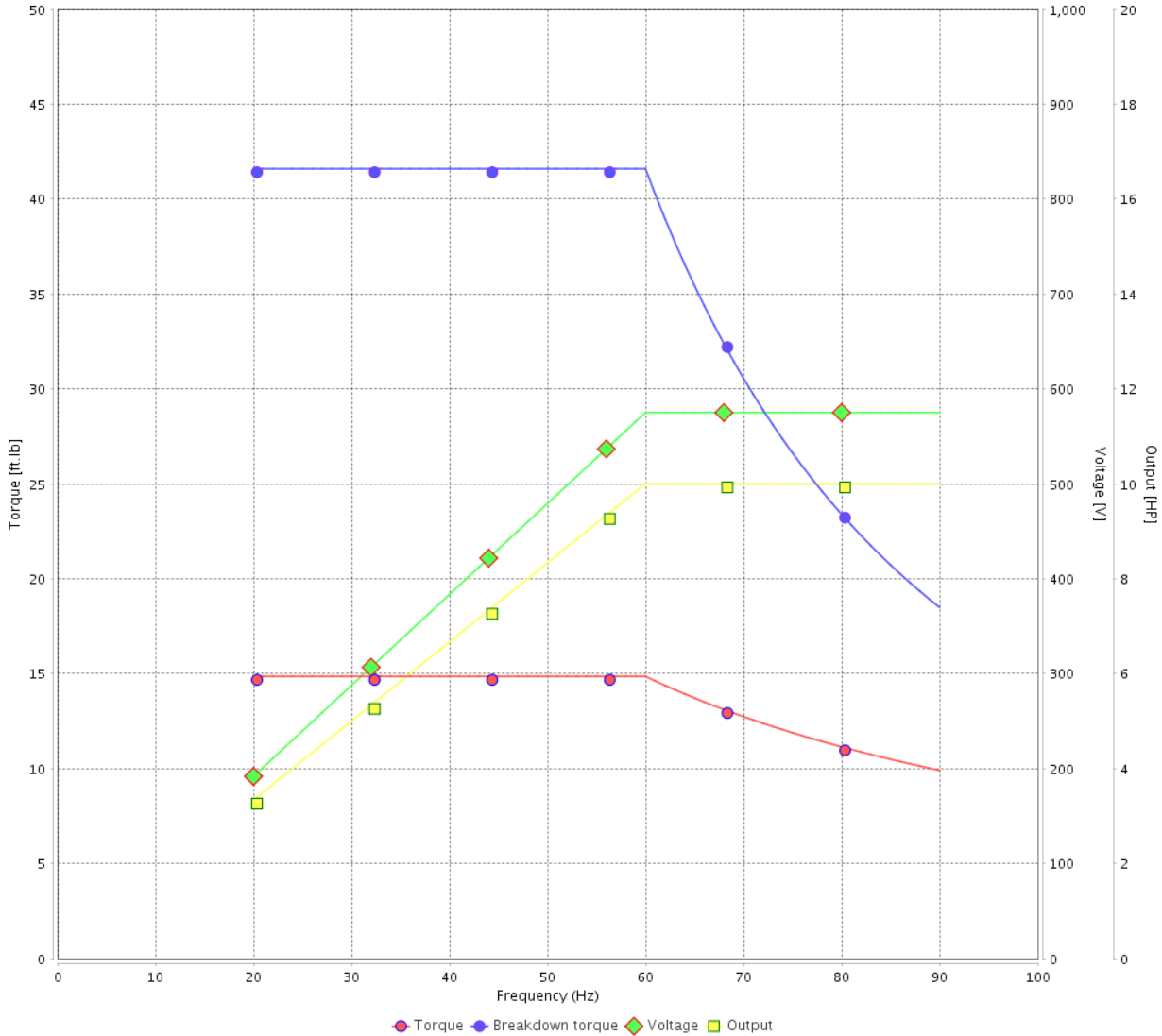
Customer :

Product line : JM Pump NEMA Premium Efficiency Three-Phase

Product code : 13500440

Catalog # : 01036OT3H213JMV-S

VFD OPERATION CURVE



Performance : 575 V 60 Hz 2P

Rated current : 9.60 A
 LRC : 6.8
 Rated torque : 14.9 ft.lb
 Locked rotor torque : 200 %
 Breakdown torque : 280 %
 Rated speed : 3535 rpm

Moment of inertia (J) : 0.4651 sq.ft.lb
 Duty cycle : Cont.(S1)
 Insulation class : F
 Service factor : 1.15
 Temperature rise : 80 K
 Design : B

Rev.	Changes Summary	Performed	Checked	Date
Performed by			Page 6 / 6	Revision
Checked by				
Date	12/04/2022			

1 2 3 4 5 6

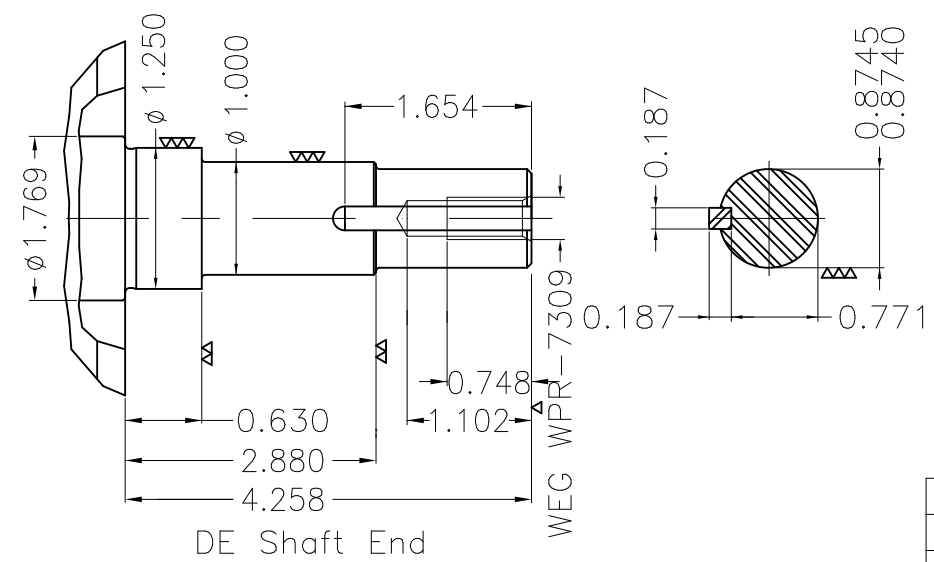
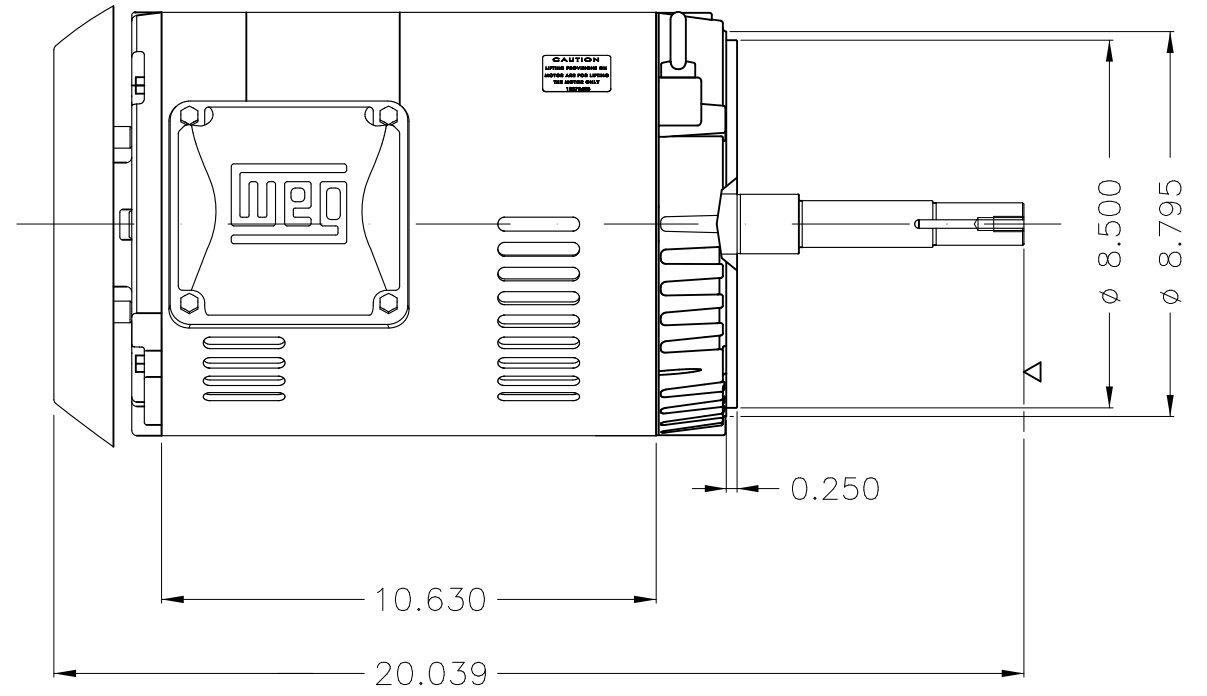
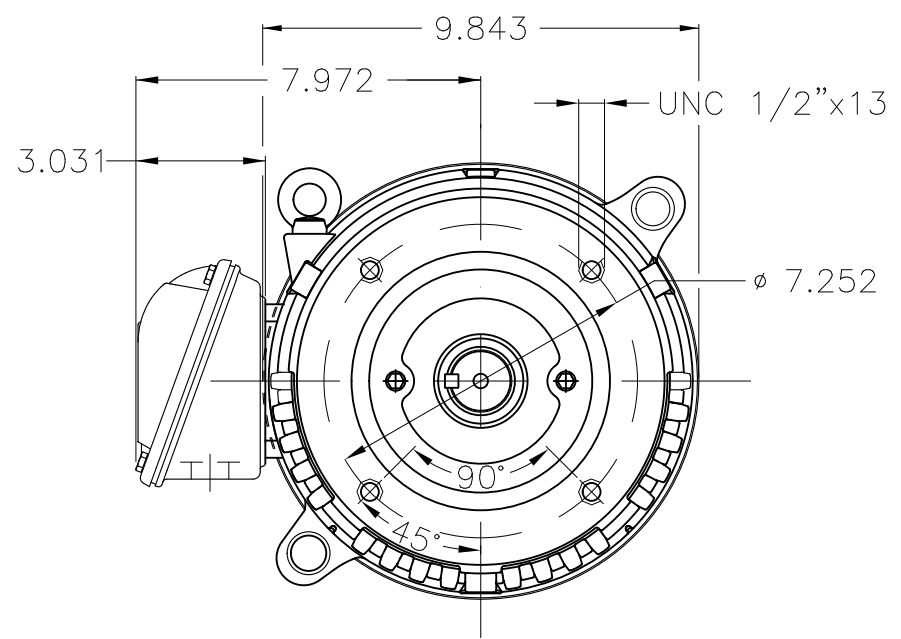
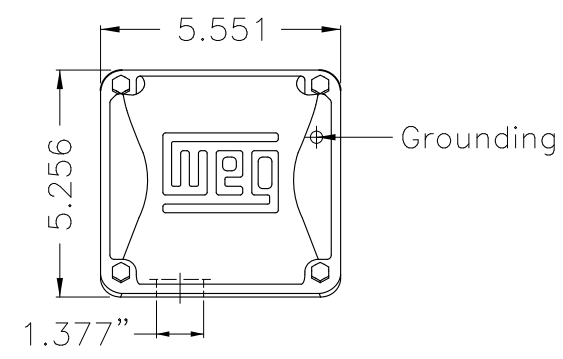
A

B

C

D

E



EUNC 3/8" - 16 WEG WPR-7309

Color Munsell N 1 matte black									
Painting plan 207N									
Mounting W-6/V18R(D)									
ECM	LOC	SUMMARY OF MODIFICATIONS			EXECUTED	CHECKED	RELEASED	DATE	VER
EXECUTED	PIRWBUSER	THREE PH. MOTOR ROLLED STEEL CLOSE COUPLED PUMP JN TYPE PSE 187							
CHECKED		FRAME 213/5JM IP21 ODP							
RELEASED									
REL DT.		WMO	Jaragua do Sul	Product Engineering					

10 HP 02 Poles 60 Hz

REL DT. WMO Jaragua do Sul Product Engineering SHEET 1 / 1



Dimensions in inches XME A3