

DATA SHEET



Three Phase Induction Motor - Squirrel Cage

Customer :						
Product line : JP Pump NEMA Premium Efficiency Three-Phase		Product code : 14327818				
		Catalog # : 01036OT3H213JP-SG				
Frame : 213/5JP Output : 10 HP (7.5 kW) Poles : 2 Frequency : 60 Hz Rated voltage : 575 V Rated current : 9.60 A L. R. Amperes : 65.3 A LRC : 6.8x(Code H) No load current : 3.73 A Rated speed : 3535 rpm Slip : 1.81 % Rated torque : 14.9 ft.lb Locked rotor torque : 200 % Breakdown torque : 280 % Insulation class : F Service factor : 1.15 Moment of inertia (J) : 0.4651 sq.ft.lb Design : B		Locked rotor time : 19s (cold) 11s (hot) Temperature rise : 80 K Duty cycle : Cont.(S1) Ambient temperature : -20°C to +40°C Altitude : 1000 m.a.s.l. Cooling method : IC01 - ODP Mounting : F-1 Rotation ¹ : Both (CW and CCW) Noise level ² : 66.0 dB(A) Starting method : Direct On Line Approx. weight ³ : 117 lb				
Output	25%	50%	75%	100%		
Efficiency (%)	88.3	88.5	89.5	89.5		
Power Factor	0.47	0.74	0.84	0.88		
Foundation loads						
Max. traction : 176 lb						
Max. compression : 293 lb						
		<u>Drive end</u>		<u>Non drive end</u>		
Bearing type :		6209 ZZ		6206 ZZ		
Sealing :		Without Bearing Seal		Without Bearing Seal		
Lubrication interval :		-		-		
Lubricant amount :		-		-		
Lubricant type :		Mobil Polyrex EM				
Notes						
This revision replaces and cancel the previous one, which must be eliminated. (1) Looking the motor from the shaft end. (2) Measured at 1m and with tolerance of +3dB(A). (3) Approximate weight subject to changes after manufacturing process. (4) At 100% of full load.			These are average values based on tests with sinusoidal power supply, subject to the tolerances stipulated in NEMA MG-1.			
Rev.	Changes Summary			Performed	Checked	Date
Performed by						
Checked by					Page	Revision
Date	12/04/2022				1 / 6	

TORQUE AND CURRENT VS SPEED CURVE

Three Phase Induction Motor - Squirrel Cage



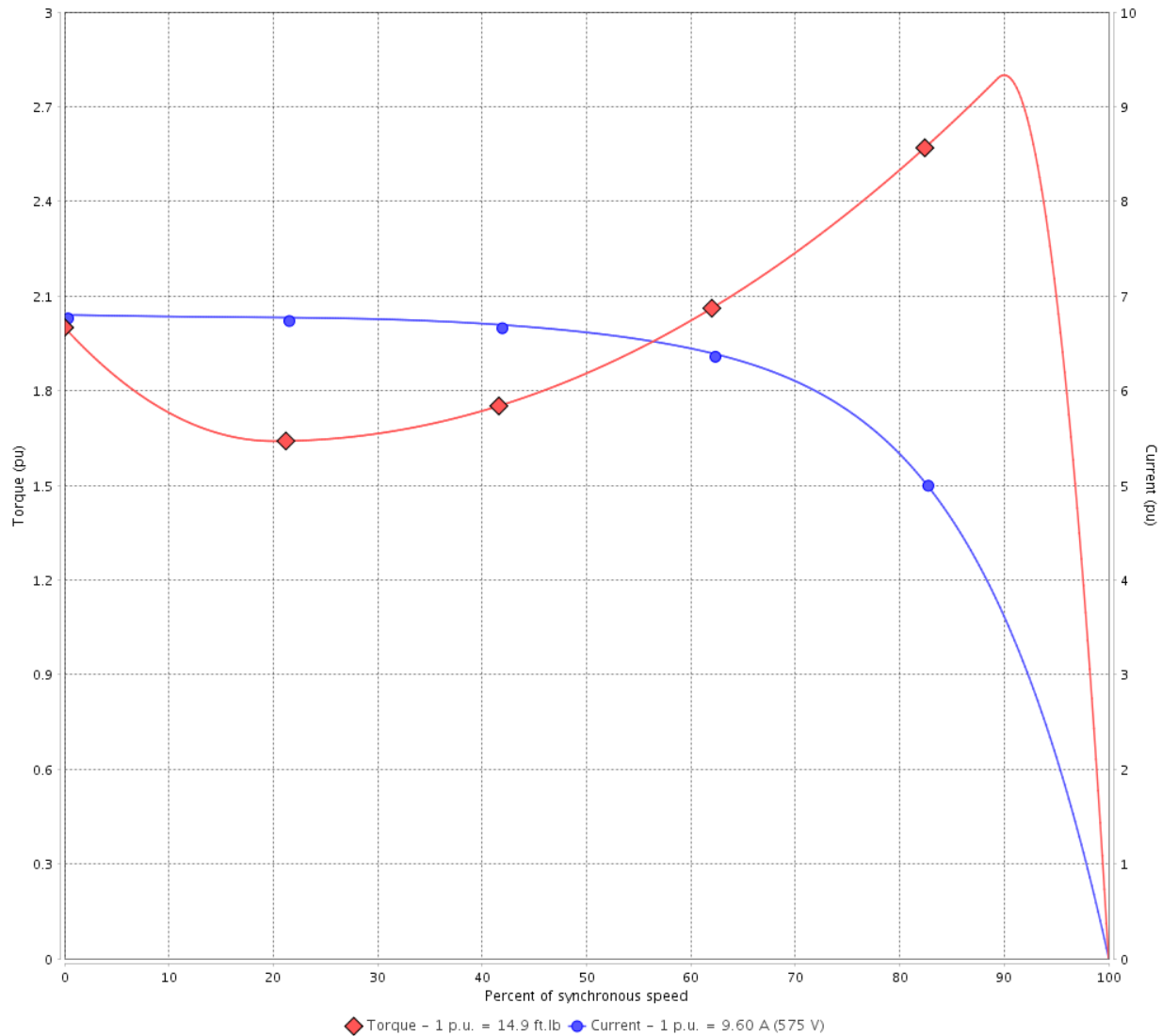
Customer :

Product line : JP Pump NEMA Premium
Efficiency Three-Phase

Product code : 14327818

Catalog # : 01036OT3H213JP-SG

TORQUE AND CURRENT VS SPEED CURVE



Performance : 575 V 60 Hz 2P

Rated current	: 9.60 A	Moment of inertia (J)	: 0.4651 sq.ft.lb
LRC	: 6.8	Duty cycle	: Cont.(S1)
Rated torque	: 14.9 ft.lb	Insulation class	: F
Locked rotor torque	: 200 %	Service factor	: 1.15
Breakdown torque	: 280 %	Temperature rise	: 80 K
Rated speed	: 3535 rpm	Design	: B

Locked rotor time : 19s (cold) 11s (hot)

Rev.	Changes Summary	Performed	Checked	Date
Performed by			Page 2 / 6	Revision
Checked by				
Date	12/04/2022			

LOAD PERFORMANCE CURVE

Three Phase Induction Motor - Squirrel Cage

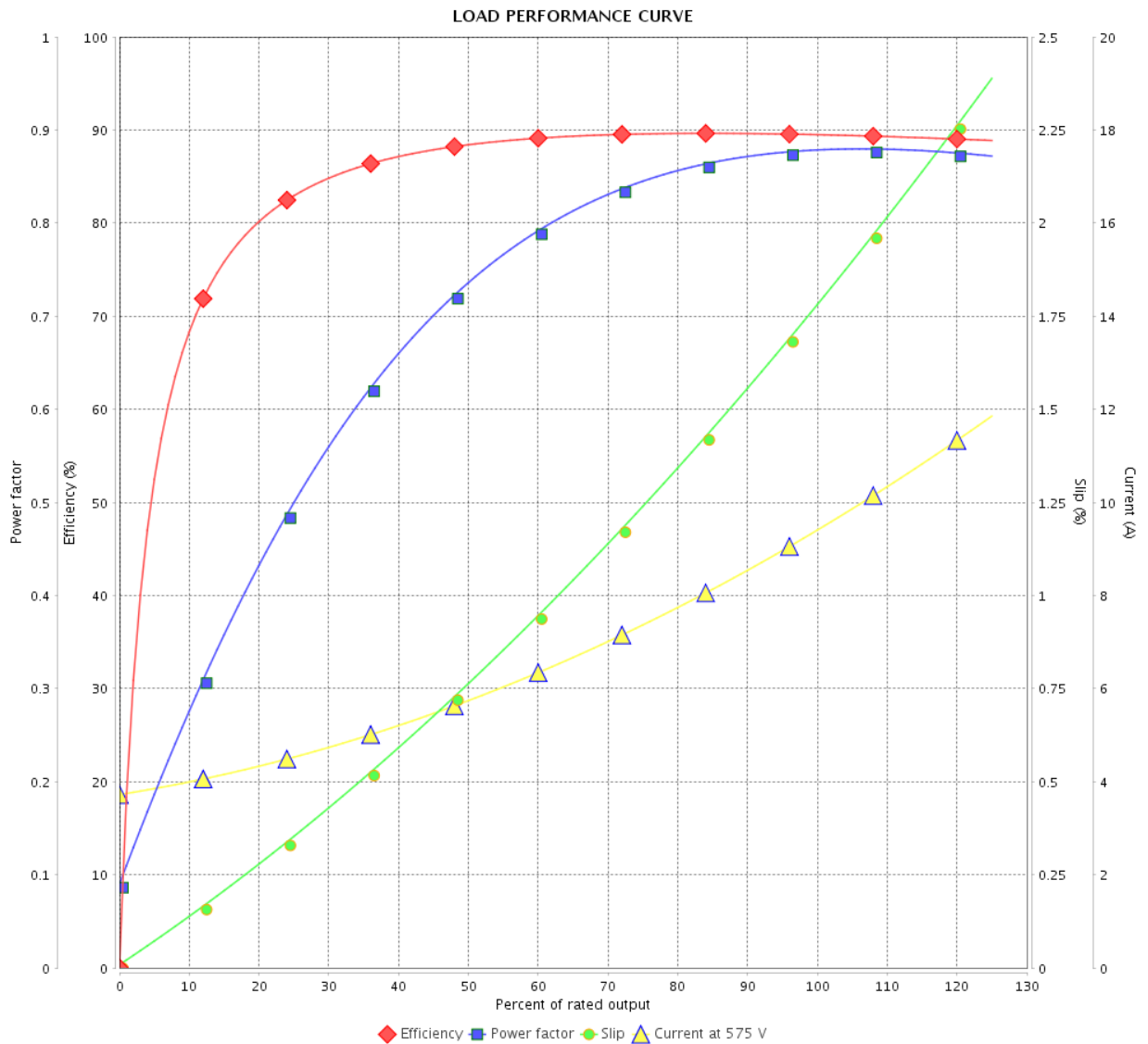


Customer :

Product line : JP Pump NEMA Premium
Efficiency Three-Phase

Product code : 14327818

Catalog # : 01036OT3H213JP-SG



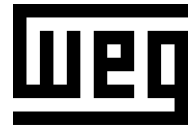
Performance : 575 V 60 Hz 2P

Rated current : 9.60 A
LRC : 6.8
Rated torque : 14.9 ft.lb
Locked rotor torque : 200 %
Breakdown torque : 280 %
Rated speed : 3535 rpm

Moment of inertia (J) : 0.4651 sq.ft.lb
Duty cycle : Cont.(S1)
Insulation class : F
Service factor : 1.15
Temperature rise : 80 K
Design : B

Rev.	Changes Summary	Performed	Checked	Date
Performed by		Page		Revision
Checked by		3 / 6		
Date		12/04/2022		

THERMAL LIMIT CURVE



Three Phase Induction Motor - Squirrel Cage

Customer :

Product line : JP Pump NEMA Premium
Efficiency Three-Phase

Product code : 14327818

Catalog # : 01036OT3H213JP-SG

Performance : 575 V 60 Hz 2P

Rated current : 9.60 A
LRC : 6.8
Rated torque : 14.9 ft.lb
Locked rotor torque : 200 %
Breakdown torque : 280 %
Rated speed : 3535 rpm

Moment of inertia (J) : 0.4651 sq.ft.lb
Duty cycle : Cont.(S1)
Insulation class : F
Service factor : 1.15
Temperature rise : 80 K
Design : B

Heating constant

Cooling constant

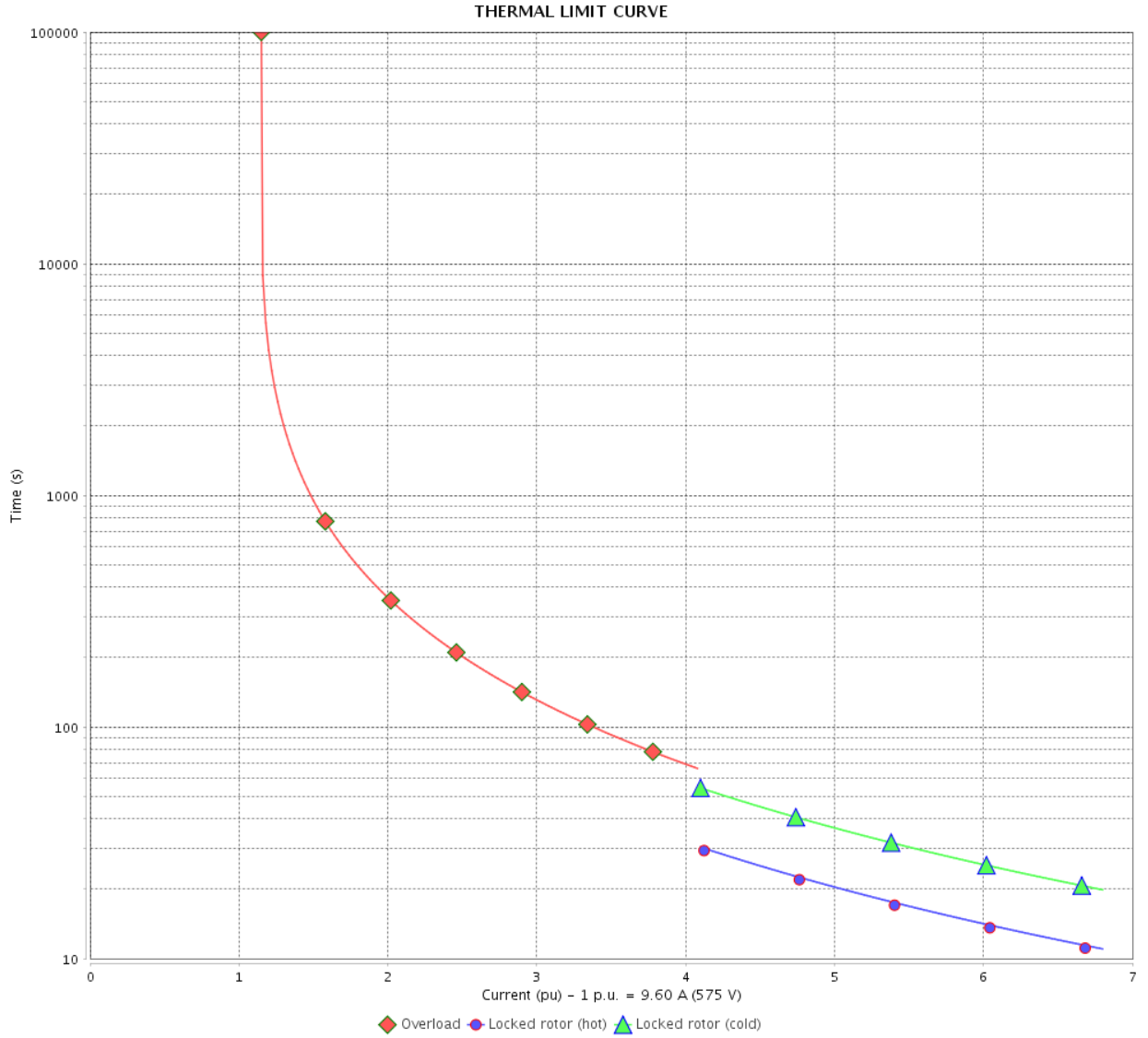
Rev.	Changes Summary	Performed	Checked	Date
Performed by				
Checked by			Page	Revision
Date	12/04/2022		4 / 6	

THERMAL LIMIT CURVE

Three Phase Induction Motor - Squirrel Cage



Customer : _____



Rev.	Changes Summary	Performed	Checked	Date
Performed by		Page 5 / 6		Revision
Checked by				
Date				

VFD OPERATION CURVE

Three Phase Induction Motor - Squirrel Cage



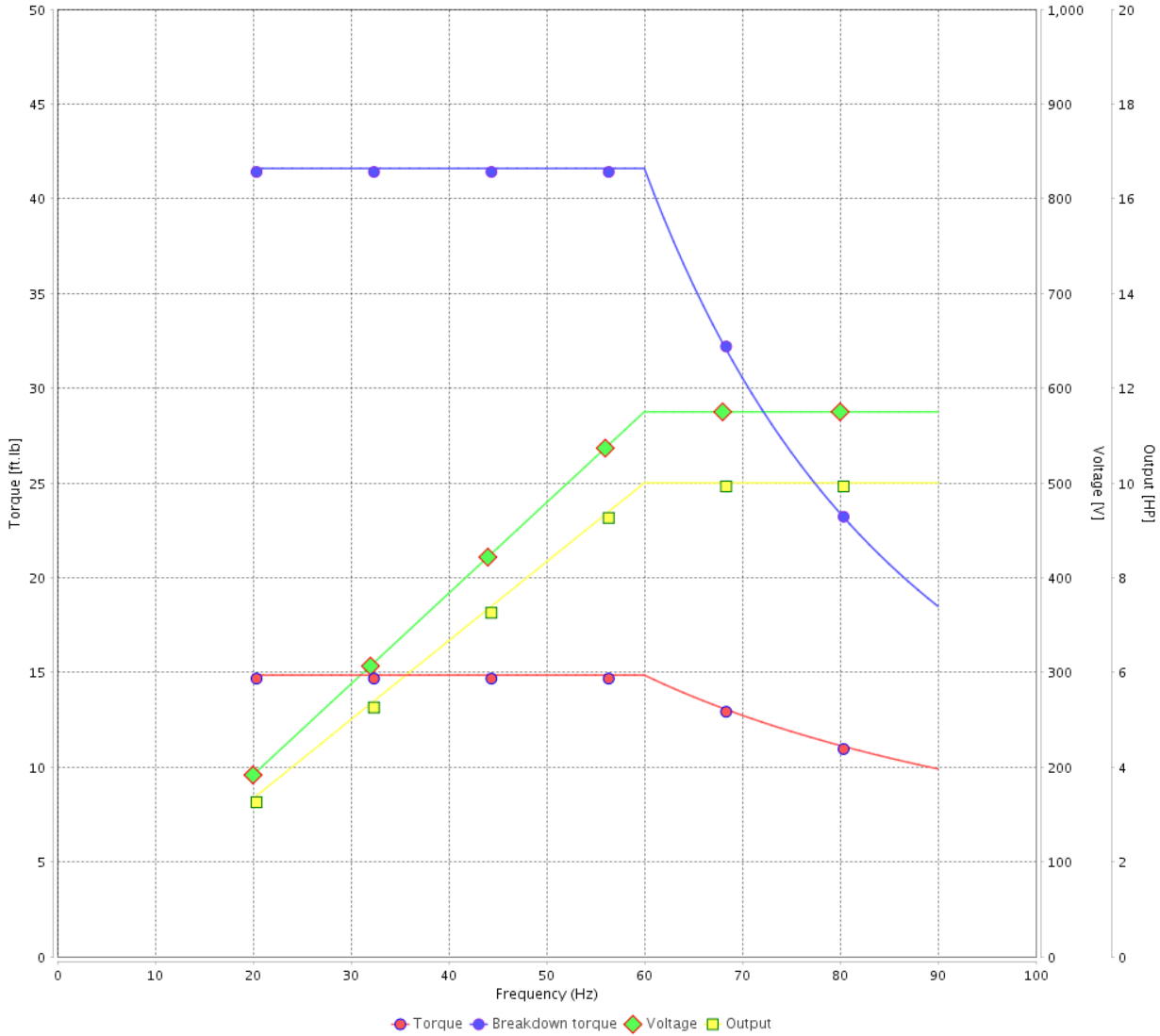
Customer :

Product line : JP Pump NEMA Premium Efficiency Three-Phase

Product code : 14327818

Catalog # : 01036OT3H213JP-SG

VFD OPERATION CURVE



Performance : 575 V 60 Hz 2P

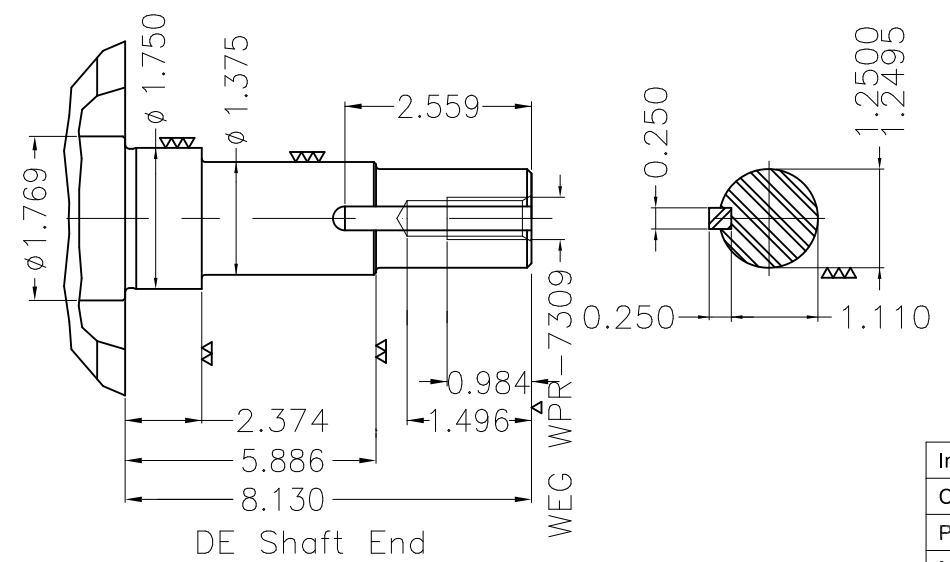
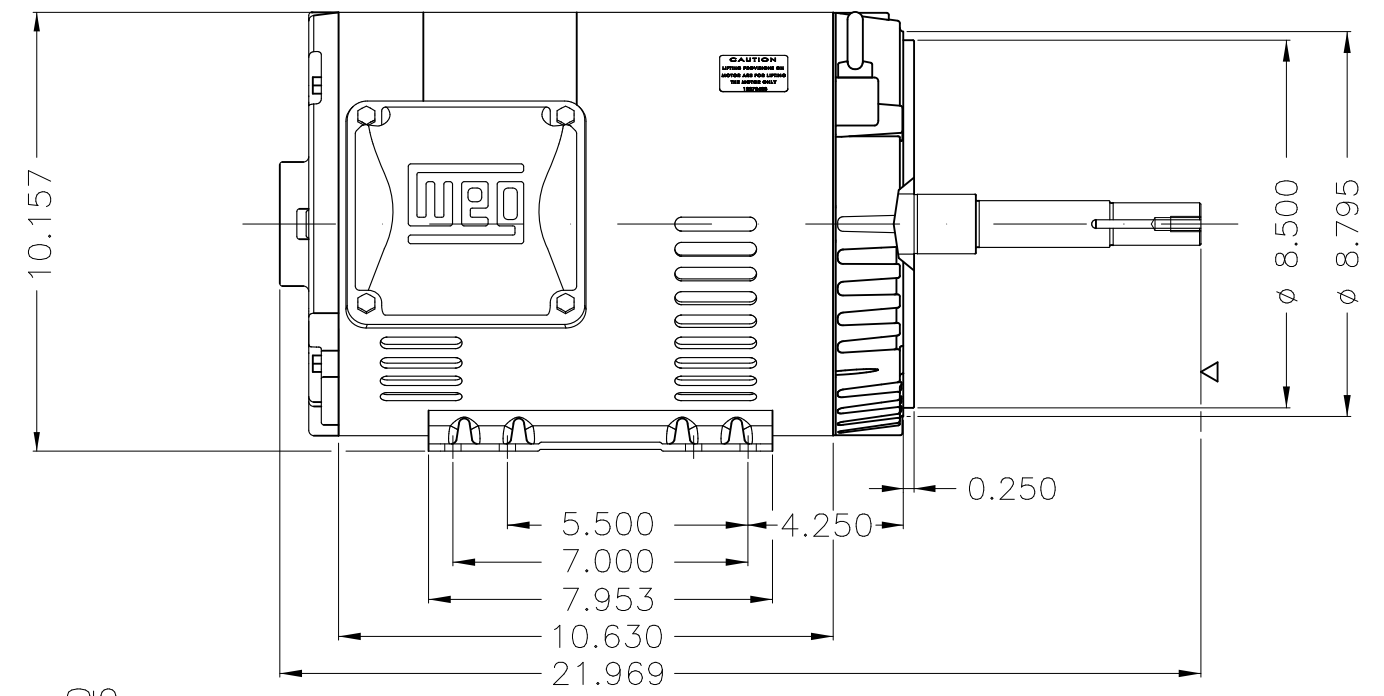
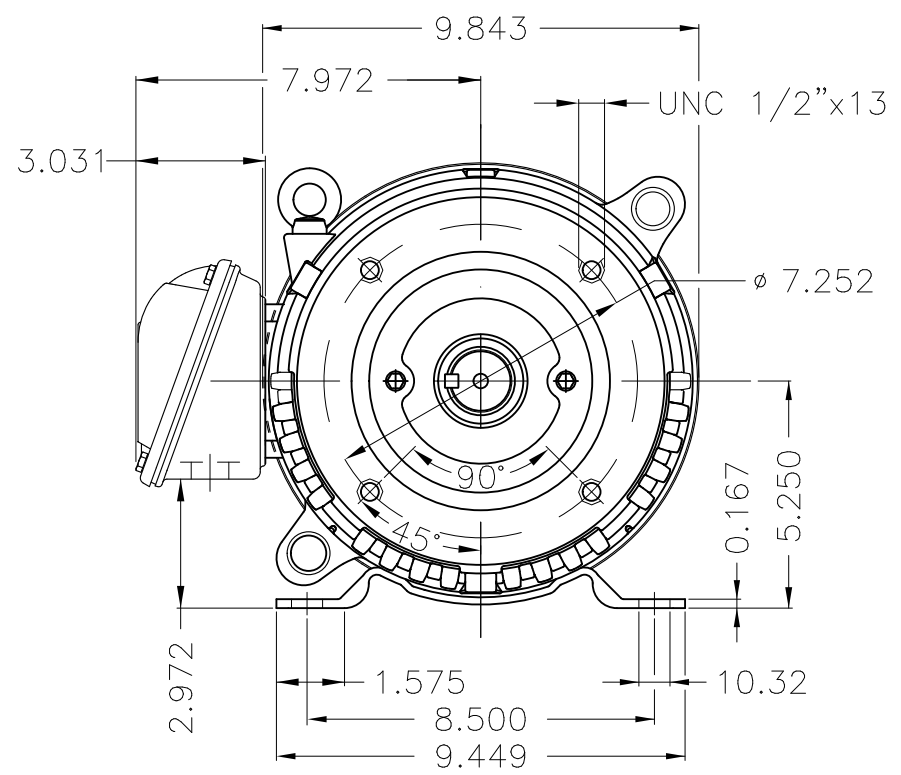
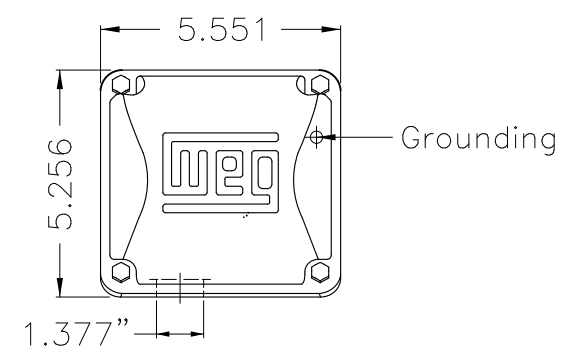
Rated current : 9.60 A
 LRC : 6.8
 Rated torque : 14.9 ft.lb
 Locked rotor torque : 200 %
 Breakdown torque : 280 %
 Rated speed : 3535 rpm

Moment of inertia (J) : 0.4651 sq.ft.lb
 Duty cycle : Cont.(S1)
 Insulation class : F
 Service factor : 1.15
 Temperature rise : 80 K
 Design : B

Rev.	Changes Summary	Performed	Checked	Date
Performed by			Page 6 / 6	Revision
Checked by				
Date	12/04/2022			

1 2 3 4 5 6

A
B
C
D
E



EUNC 1/2"-13 WEG WPR-7309

DE Shaft End

Internal AEGIS ground ring on the DE
 Color Munsell N 1 matte black
 Painting plan 207N
 Mounting F-1/B34R(D)

ECM	LOC	SUMMARY OF MODIFICATIONS	EXECUTED	CHECKED	RELEASED	DATE	VER
EXECUTED	PIRWBUSER	THREE PH. MOTOR ROLLED STEEL CLOSE COUPLED PUMP JP 5/5 DE PREL ETX					
CHECKED		FRAME 213/5JP IP21 ODP					
RELEASED							
REL DT.	WMO	Jaragua do Sul	Product Engineering	WDD	SHEET	1 / 1	

10 HP 02 Poles 60 Hz

