

TORQUE AND CURRENT VS SPEED CURVE

Three Phase Induction Motor - Squirrel Cage



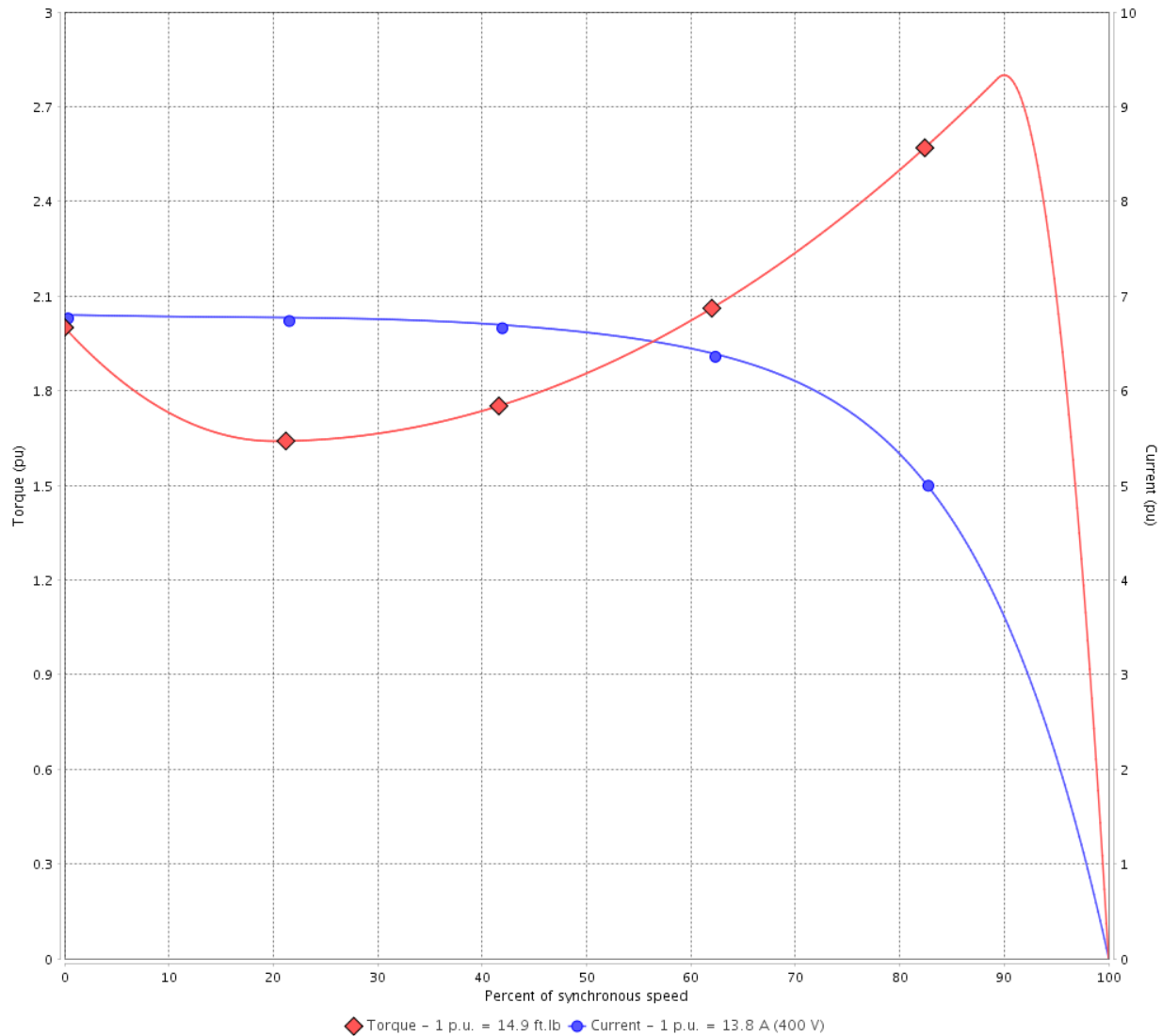
Customer :

Product line : JP Pump NEMA Premium
Efficiency Three-Phase

Product code : 13482980

Catalog # : 01036OT3V213JPV-S

TORQUE AND CURRENT VS SPEED CURVE



Performance : 200/400 V 60 Hz 2P

Rated current	: 27.6/13.8 A	Moment of inertia (J)	: 0.4651 sq.ft.lb
LRC	: 6.8	Duty cycle	: Cont.(S1)
Rated torque	: 14.9 ft.lb	Insulation class	: F
Locked rotor torque	: 200 %	Service factor	: 1.15
Breakdown torque	: 280 %	Temperature rise	: 80 K
Rated speed	: 3535 rpm	Design	: B

Locked rotor time : 19s (cold) 11s (hot)

Rev.	Changes Summary	Performed	Checked	Date
Performed by			Page 2 / 6	Revision
Checked by				
Date	12/04/2022			

LOAD PERFORMANCE CURVE

Three Phase Induction Motor - Squirrel Cage

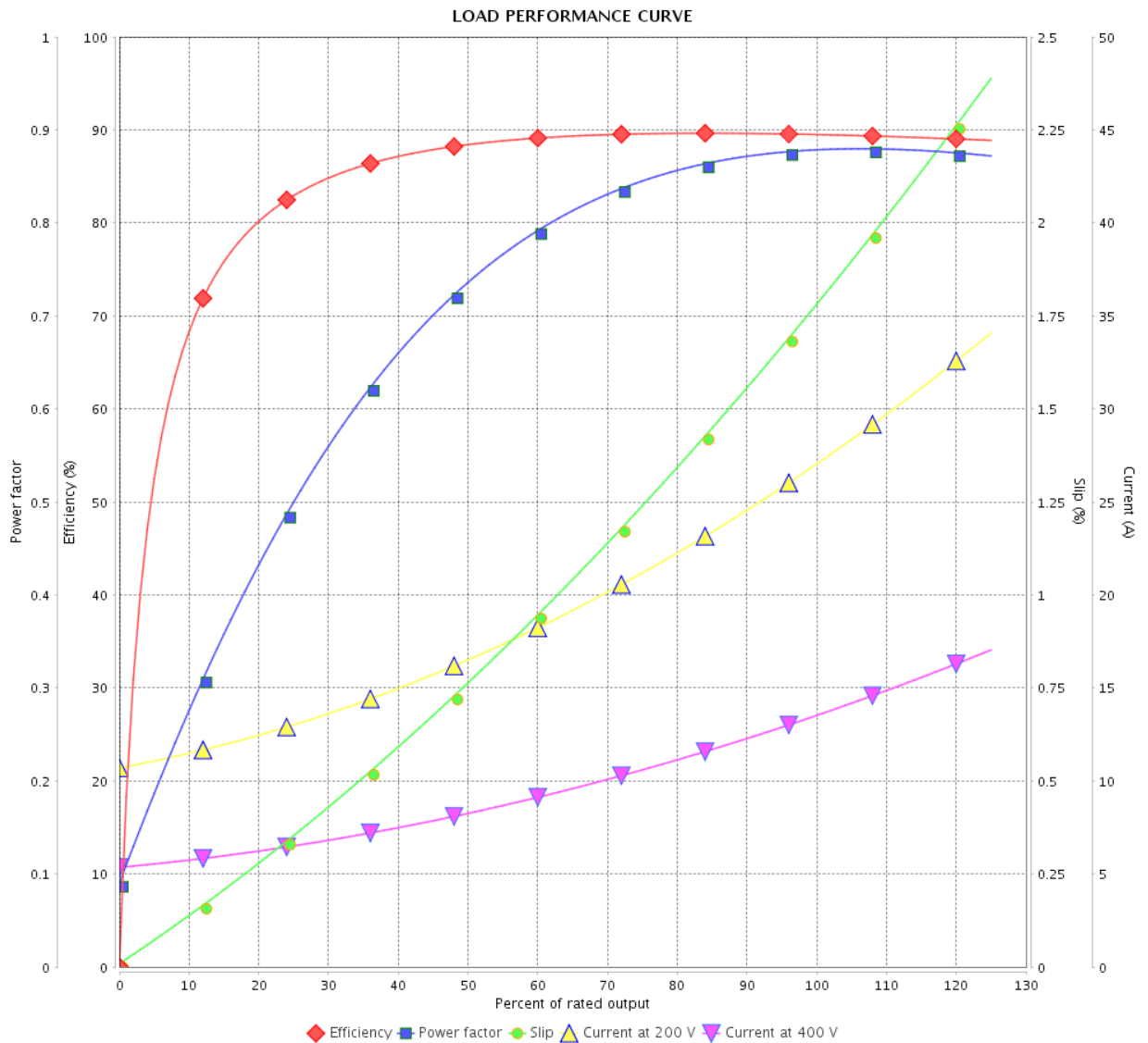


Customer :

Product line : JP Pump NEMA Premium Efficiency Three-Phase

Product code : 13482980

Catalog # : 01036OT3V213JPV-S



Performance : 200/400 V 60 Hz 2P

Rated current : 27.6/13.8 A
 LRC : 6.8
 Rated torque : 14.9 ft.lb
 Locked rotor torque : 200 %
 Breakdown torque : 280 %
 Rated speed : 3535 rpm

Moment of inertia (J) : 0.4651 sq.ft.lb
 Duty cycle : Cont.(S1)
 Insulation class : F
 Service factor : 1.15
 Temperature rise : 80 K
 Design : B

Rev.	Changes Summary	Performed	Checked	Date
Performed by			Page	Revision
Checked by			3 / 6	
Date	12/04/2022			

THERMAL LIMIT CURVE



Three Phase Induction Motor - Squirrel Cage

Customer :

Product line : JP Pump NEMA Premium
Efficiency Three-Phase

Product code : 13482980

Catalog # : 01036OT3V213JPV-S

Performance : 200/400 V 60 Hz 2P

Rated current : 27.6/13.8 A
LRC : 6.8
Rated torque : 14.9 ft.lb
Locked rotor torque : 200 %
Breakdown torque : 280 %
Rated speed : 3535 rpm

Moment of inertia (J) : 0.4651 sq.ft.lb
Duty cycle : Cont.(S1)
Insulation class : F
Service factor : 1.15
Temperature rise : 80 K
Design : B

Heating constant

Cooling constant

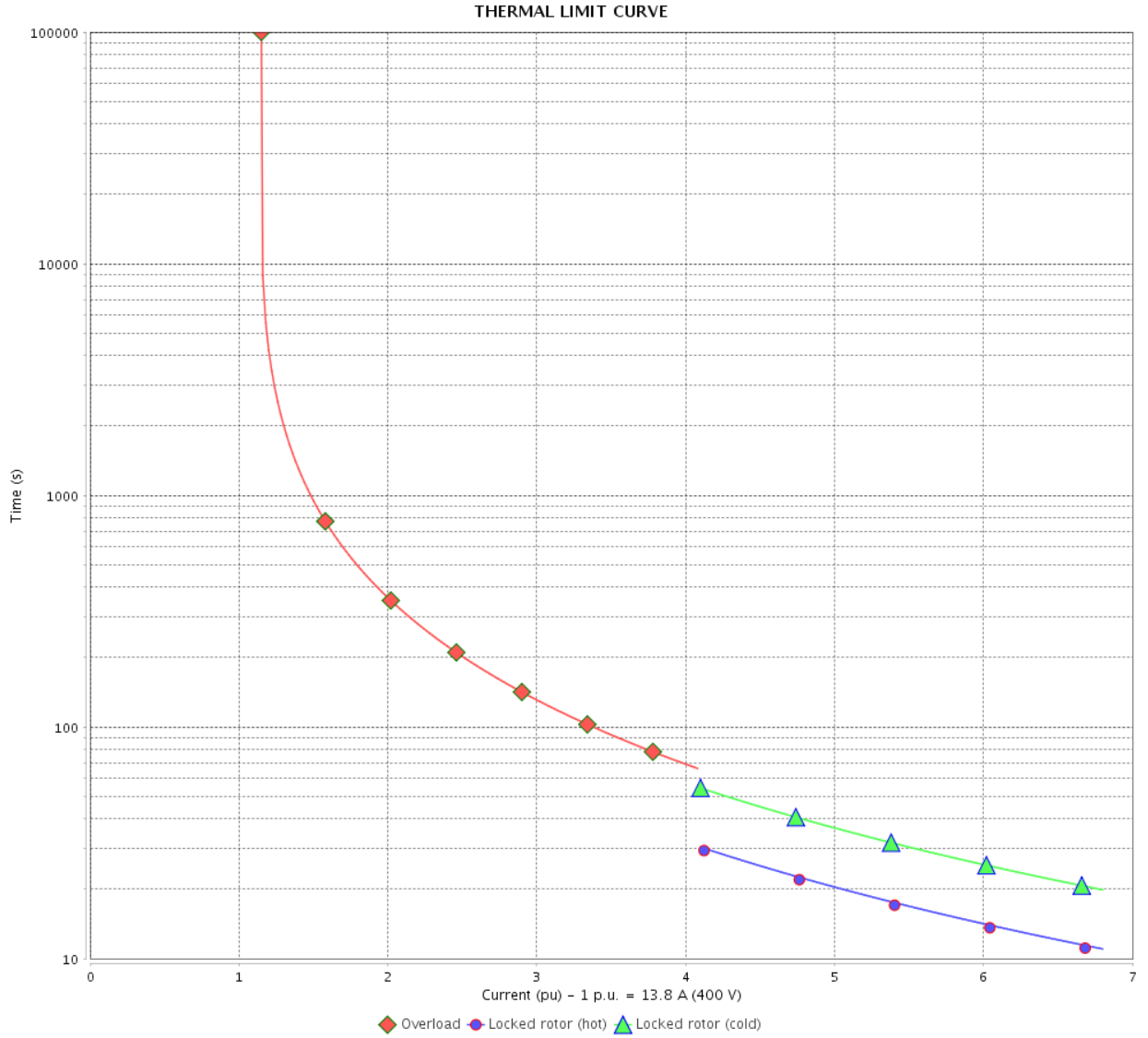
Rev.	Changes Summary	Performed	Checked	Date
Performed by				
Checked by			Page	Revision
Date	12/04/2022		4 / 6	

THERMAL LIMIT CURVE

Three Phase Induction Motor - Squirrel Cage



Customer : _____



Rev.	Changes Summary	Performed	Checked	Date
Performed by		Page 5 / 6		Revision
Checked by				
Date				

VFD OPERATION CURVE

Three Phase Induction Motor - Squirrel Cage



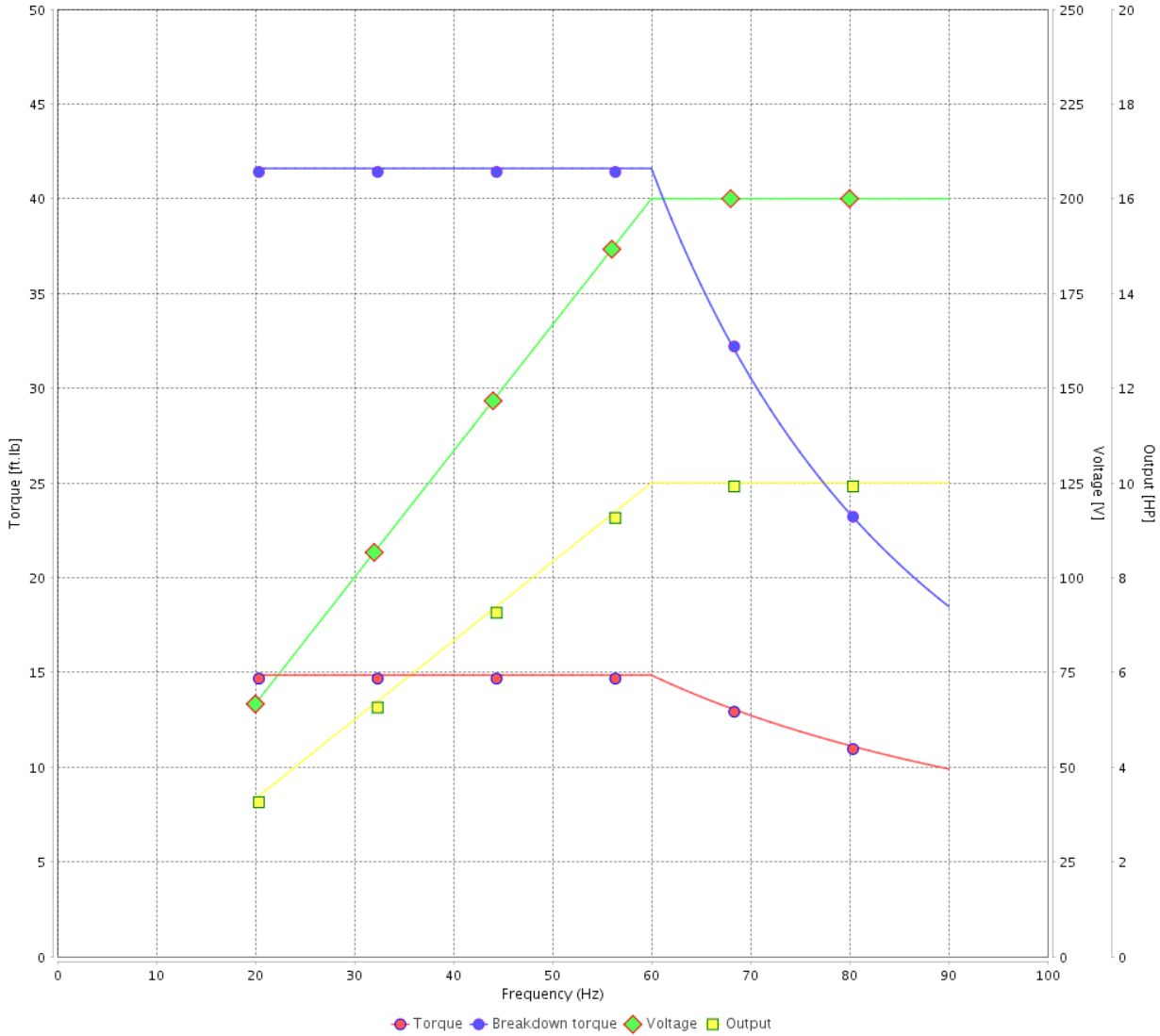
Customer :

Product line : JP Pump NEMA Premium Efficiency Three-Phase

Product code : 13482980

Catalog # : 01036OT3V213JPV-S

VFD OPERATION CURVE



Performance : 200/400 V 60 Hz 2P

Rated current : 27.6/13.8 A
 LRC : 6.8
 Rated torque : 14.9 ft.lb
 Locked rotor torque : 200 %
 Breakdown torque : 280 %
 Rated speed : 3535 rpm

Moment of inertia (J) : 0.4651 sq.ft.lb
 Duty cycle : Cont.(S1)
 Insulation class : F
 Service factor : 1.15
 Temperature rise : 80 K
 Design : B

Rev.	Changes Summary	Performed	Checked	Date
Performed by			Page	Revision
Checked by			6 / 6	
Date	12/04/2022			

1 2 3 4 5 6

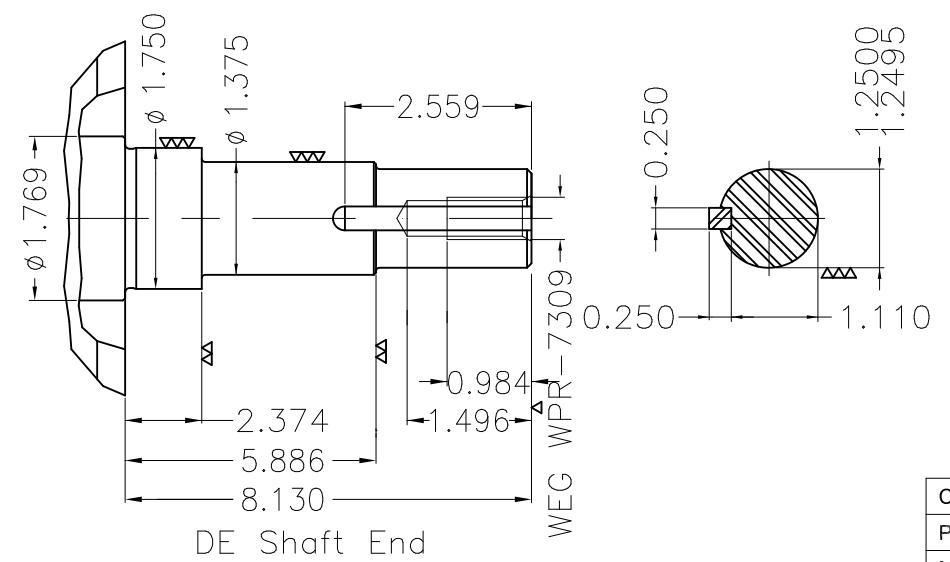
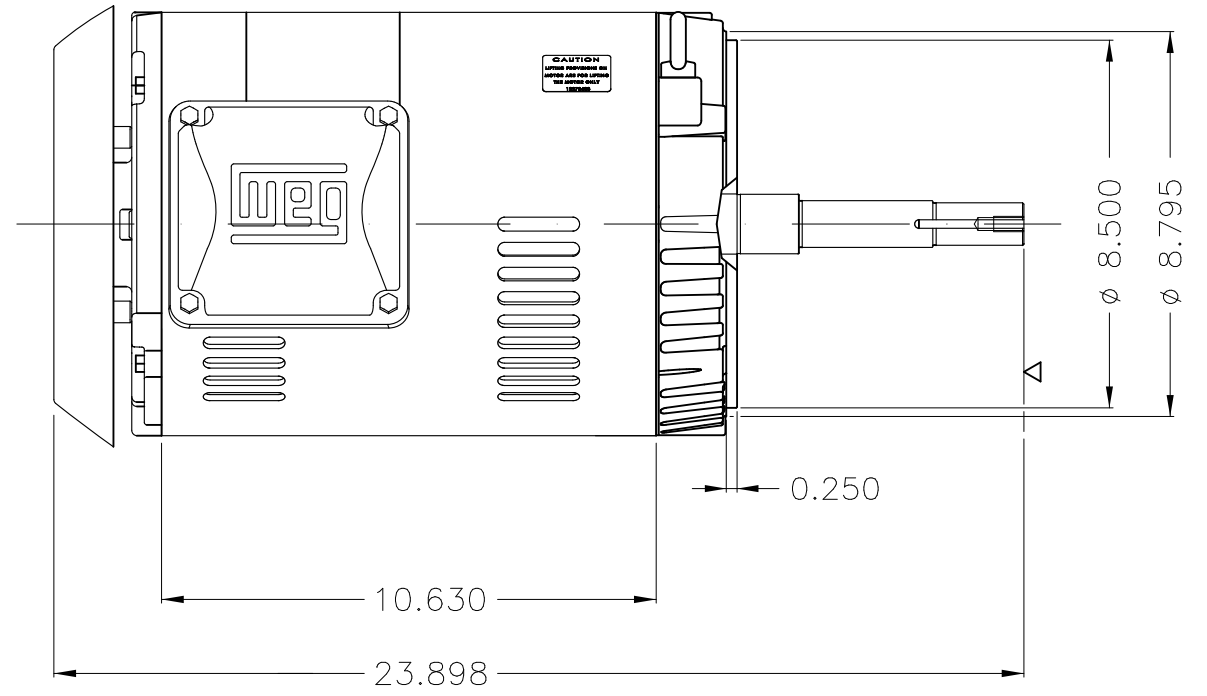
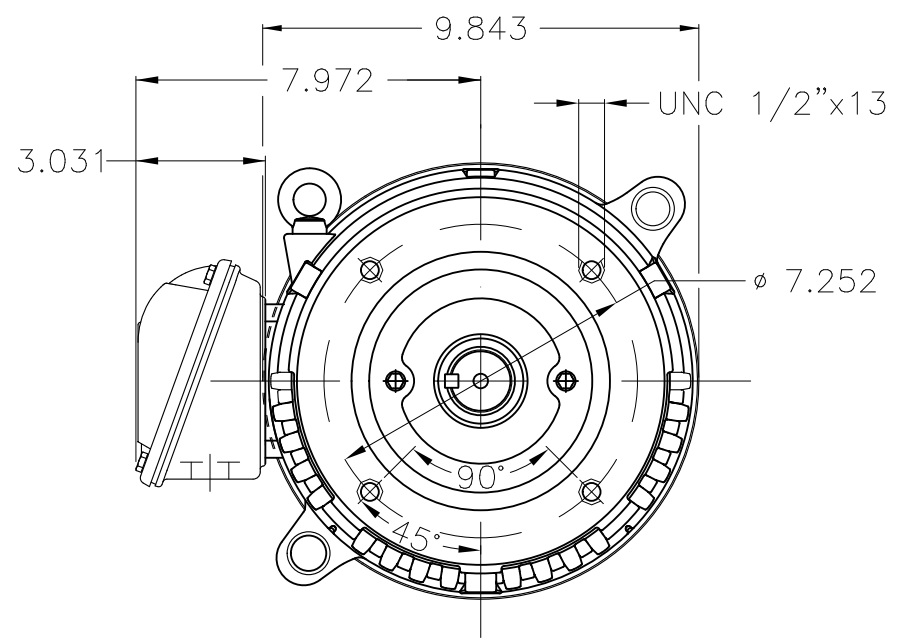
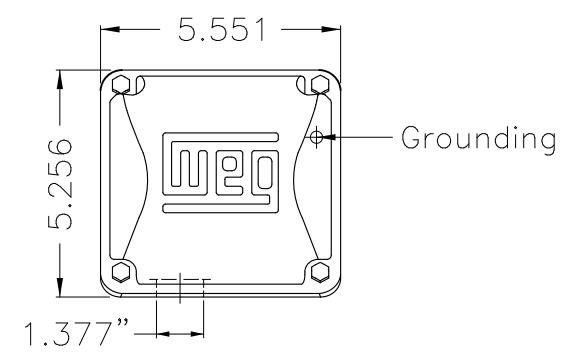
A

B

C

D

E



EUNC 1/2" - 13 WEG WPR-7309

Color Munsell N 1 matte black									
Painting plan 207N									
Mounting W-6/V18R(D)									
ECM	LOC	SUMMARY OF MODIFICATIONS			EXECUTED	CHECKED	RELEASED	DATE	VER
EXECUTED	PIRBUSER	THREE PH. MOTOR ROLLED STEEL CLOSE COUPLED PUMP JP 3/5 DE PREL ETX							
CHECKED		FRAME 213/5JP IP21 ODP							
RELEASED									
REL DT.		WMO	Jaragua do Sul	Product Engineering	SHEET	1 / 1			

10 HP 02 Poles 60 Hz