

DATA SHEET



Three Phase Induction Motor - Squirrel Cage

Customer : _____

Product line : NEMA Premium Efficiency Three-Phase Product code : 15344386
 Catalog # : 01509ST3HIE286T-W22

Frame	: 284/6T	Locked rotor time	: 45s (cold) 25s (hot)
Output	: 15 HP (11 kW)	Temperature rise	: 80 K
Poles	: 8	Duty cycle	: Cont.(S1)
Frequency	: 60 Hz	Ambient temperature	: -20°C to +40°C
Rated voltage	: 575 V	Altitude	: 1000 m.a.s.l.
Rated current	: 15.7 A	Protection degree	: IP55
L. R. Amperes	: 86.2 A	Cooling method	: IC411 - TEFC
LRC	: 5.5x(Code G)	Mounting	: F-1
No load current	: 7.84 A	Rotation ¹	: Both (CW and CCW)
Rated speed	: 880 rpm	Noise level ²	: 54.0 dB(A)
Slip	: 2.22 %	Starting method	: Direct On Line
Rated torque	: 89.5 ft.lb	Approx. weight ³	: 420 lb
Locked rotor torque	: 200 %		
Breakdown torque	: 229 %		
Insulation class	: F		
Service factor	: 1.25		
Moment of inertia (J)	: 8.18 sq.ft.lb		
Design	: B		

Output	25%	50%	75%	100%	Foundation loads	
Efficiency (%)	84.8	85.5	90.0	90.2	Max. traction	: 688 lb
Power Factor	0.37	0.62	0.72	0.78	Max. compression	: 1108 lb

	Drive end	Non drive end
Bearing type	: 6311 C3	6211 C3
Sealing	: Inpro/Seal	Inpro/Seal
Lubrication interval	: 20000 h	20000 h
Lubricant amount	: 18 g	11 g
Lubricant type	: Mobil Polyrex EM	

Notes

This revision replaces and cancel the previous one, which must be eliminated. (1) Looking the motor from the shaft end. (2) Measured at 1m and with tolerance of +3dB(A). (3) Approximate weight subject to changes after manufacturing process. (4) At 100% of full load.	These are average values based on tests with sinusoidal power supply, subject to the tolerances stipulated in NEMA MG-1.
--	--

Rev.	Changes Summary	Performed	Checked	Date
Performed by				
Checked by			Page	Revision
Date	01/06/2022		1 / 6	

TORQUE AND CURRENT VS SPEED CURVE

Three Phase Induction Motor - Squirrel Cage



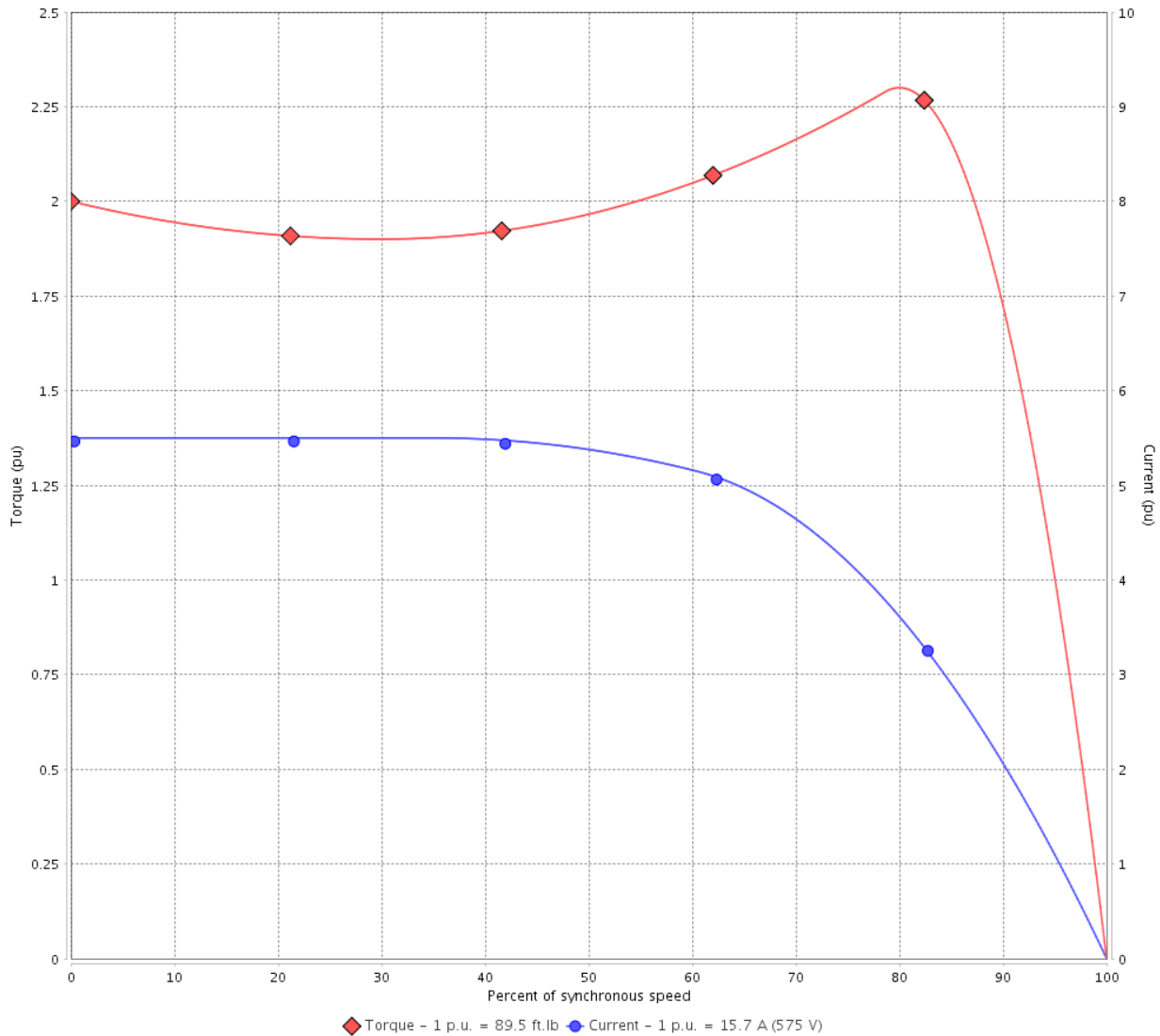
Customer :

Product line : NEMA Premium Efficiency Three-Phase

Product code : 15344386

Catalog # : 01509ST3HIE286T-W22

TORQUE AND CURRENT VS SPEED CURVE



Performance : 575 V 60 Hz 8P

Rated current	: 15.7 A	Moment of inertia (J)	: 8.18 sq.ft.lb
LRC	: 5.5	Duty cycle	: Cont.(S1)
Rated torque	: 89.5 ft.lb	Insulation class	: F
Locked rotor torque	: 200 %	Service factor	: 1.25
Breakdown torque	: 229 %	Temperature rise	: 80 K
Rated speed	: 880 rpm	Design	: B

Locked rotor time : 45s (cold) 25s (hot)

Rev.	Changes Summary	Performed	Checked	Date
Performed by			Page 2 / 6	Revision
Checked by				
Date	01/06/2022			

LOAD PERFORMANCE CURVE

Three Phase Induction Motor - Squirrel Cage

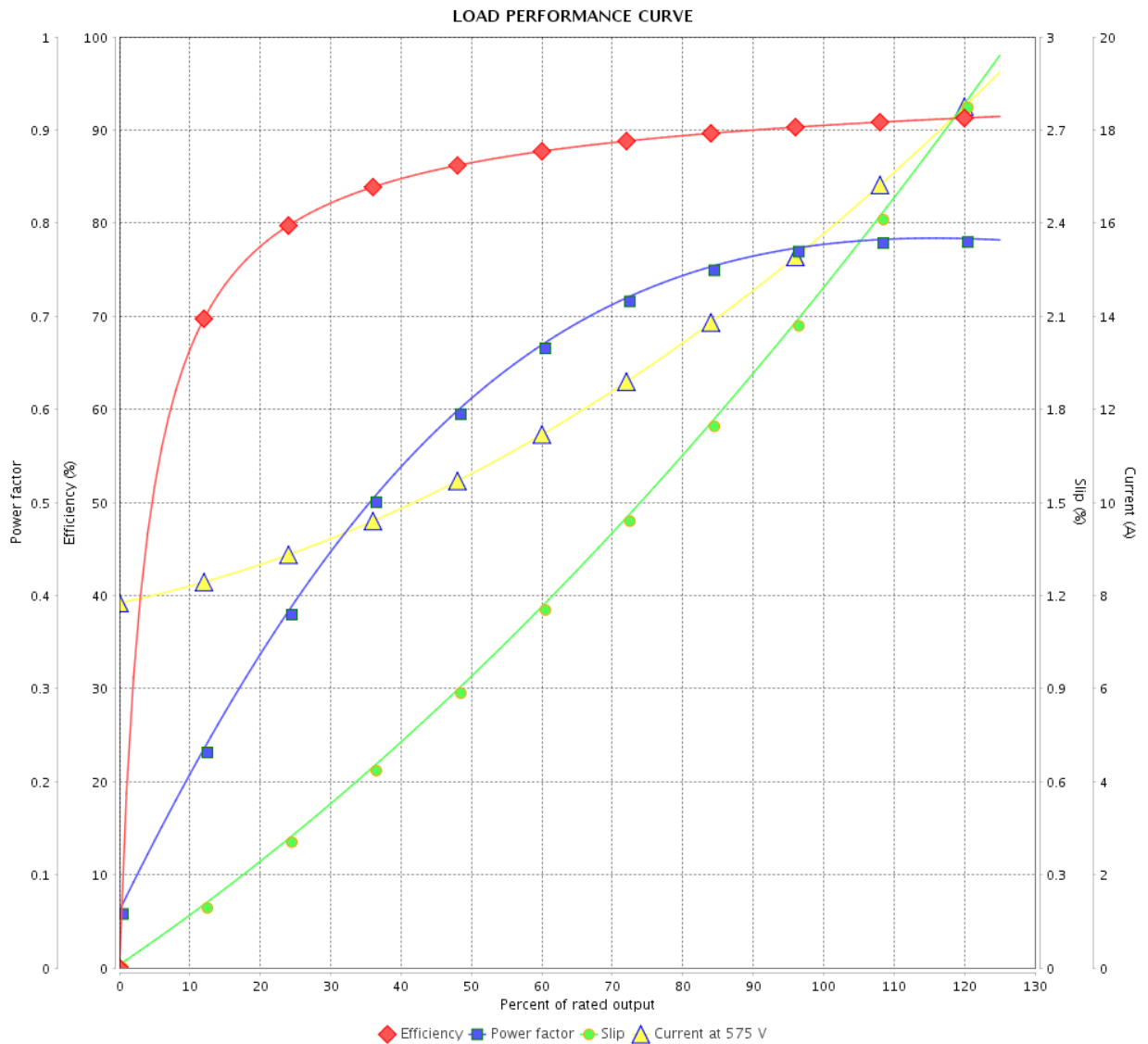


Customer :

Product line : NEMA Premium Efficiency Three-Phase

Product code : 15344386

Catalog # : 01509ST3HIE286T-W22



Performance : 575 V 60 Hz 8P

Rated current : 15.7 A
 LRC : 5.5
 Rated torque : 89.5 ft.lb
 Locked rotor torque : 200 %
 Breakdown torque : 229 %
 Rated speed : 880 rpm

Moment of inertia (J) : 8.18 sq.ft.lb
 Duty cycle : Cont.(S1)
 Insulation class : F
 Service factor : 1.25
 Temperature rise : 80 K
 Design : B

Rev.	Changes Summary	Performed	Checked	Date
Performed by		Page		Revision
Checked by		3 / 6		
Date		01/06/2022		

THERMAL LIMIT CURVE



Three Phase Induction Motor - Squirrel Cage

Customer :

Product line : NEMA Premium Efficiency Three-Phase
 Product code : 15344386
 Catalog # : 01509ST3HIE286T-W22

Performance : 575 V 60 Hz 8P

Rated current : 15.7 A	Moment of inertia (J) : 8.18 sq.ft.lb
LRC : 5.5	Duty cycle : Cont.(S1)
Rated torque : 89.5 ft.lb	Insulation class : F
Locked rotor torque : 200 %	Service factor : 1.25
Breakdown torque : 229 %	Temperature rise : 80 K
Rated speed : 880 rpm	Design : B

Heating constant

Cooling constant

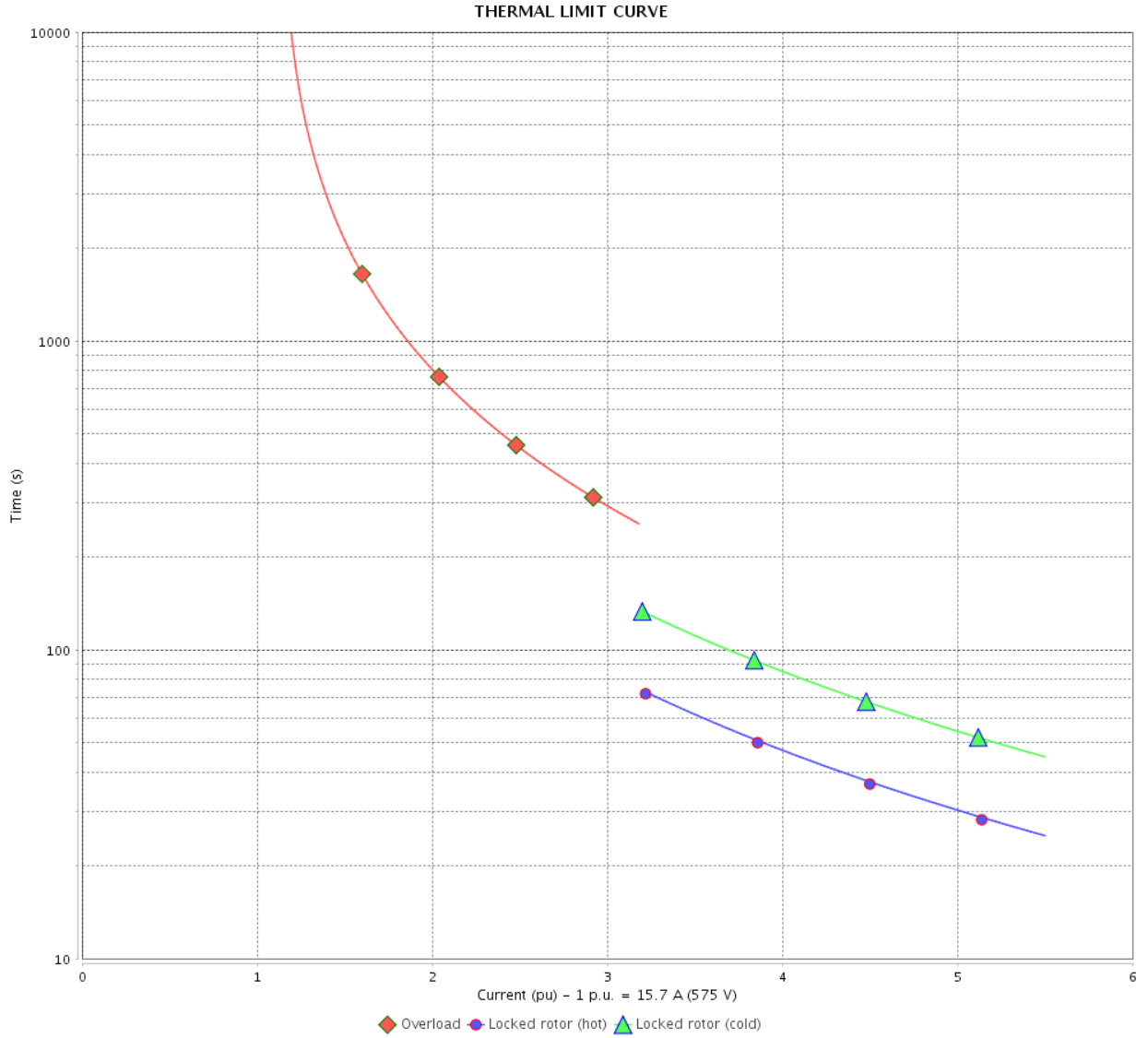
Rev.	Changes Summary	Performed	Checked	Date
Performed by			Page	Revision
Checked by				
Date	01/06/2022			

THERMAL LIMIT CURVE

Three Phase Induction Motor - Squirrel Cage



Customer : _____



Rev.	Changes Summary	Performed	Checked	Date
Performed by		Page 5 / 6		Revision
Checked by				
Date				

VFD OPERATION CURVE

Three Phase Induction Motor - Squirrel Cage



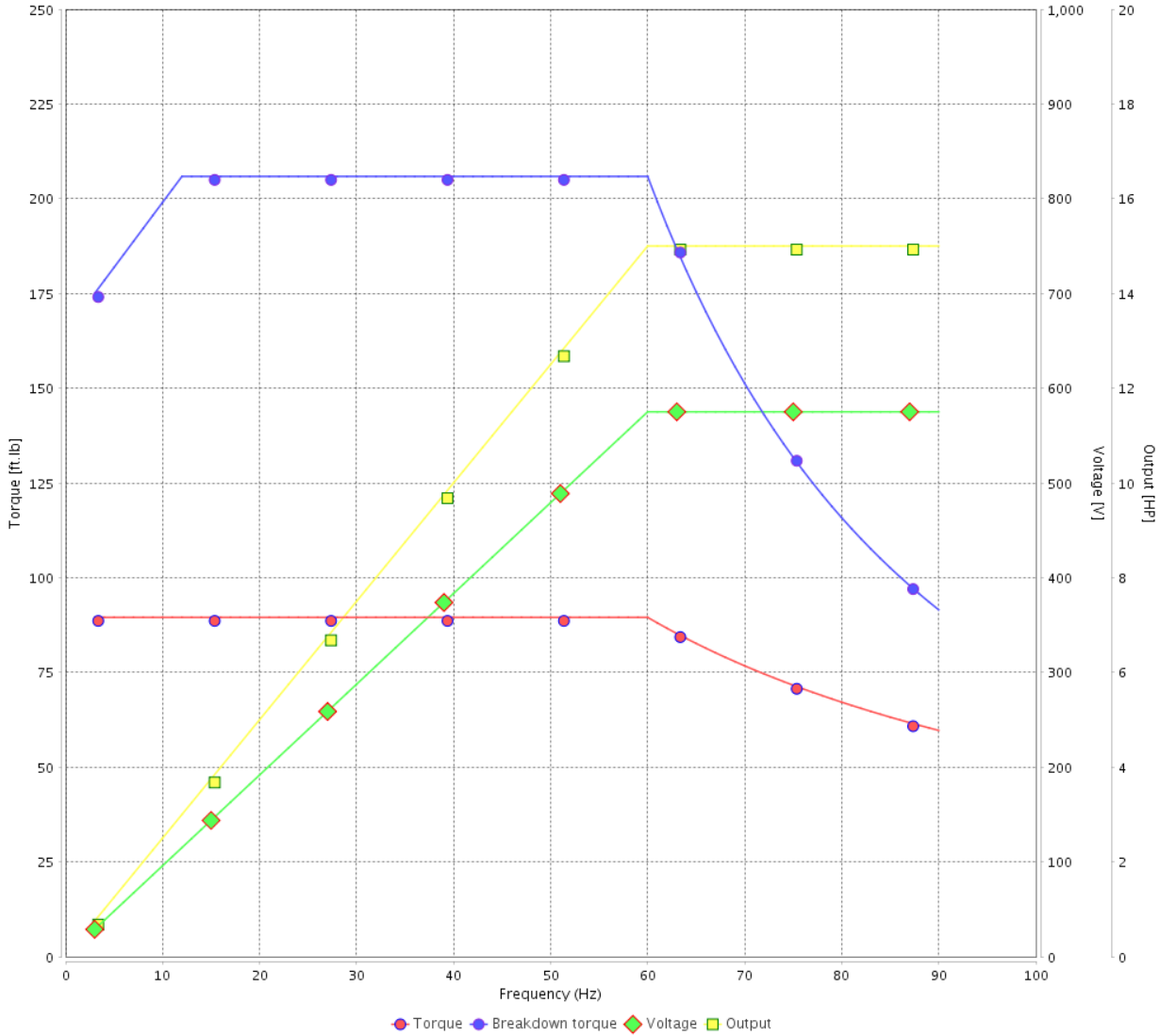
Customer :

Product line : NEMA Premium Efficiency Three-Phase

Product code : 15344386

Catalog # : 01509ST3HIE286T-W22

VFD OPERATION CURVE

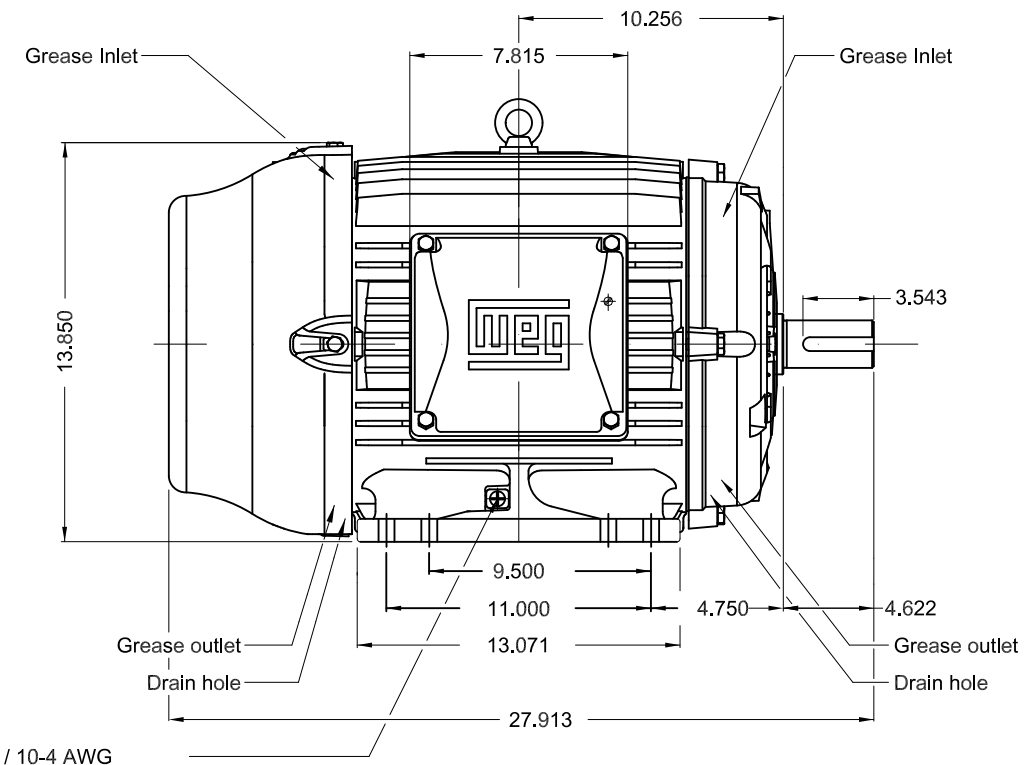
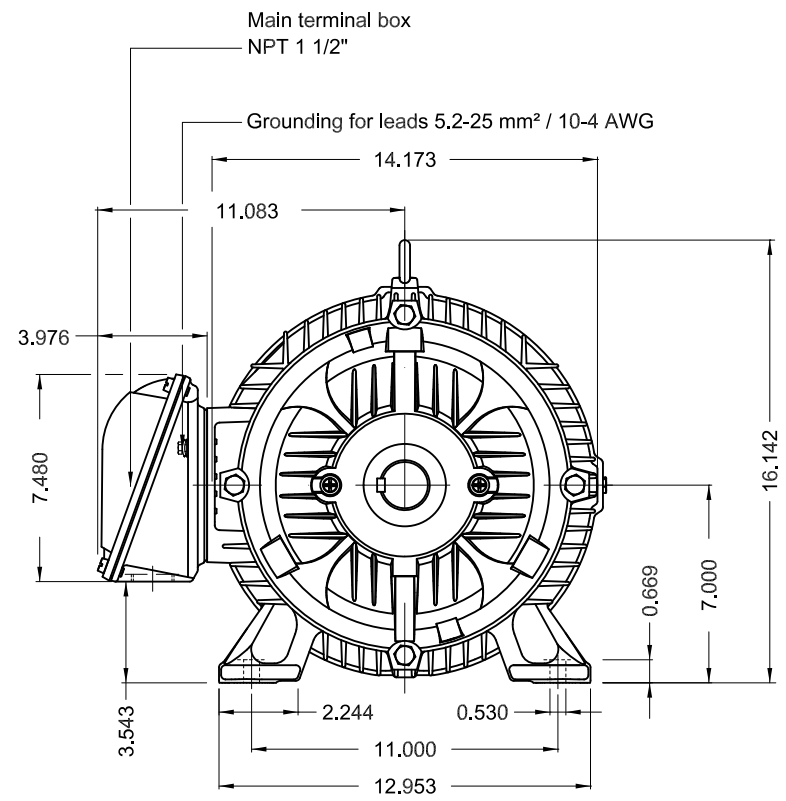


Performance : 575 V 60 Hz 8P

Rated current : 15.7 A
 LRC : 5.5
 Rated torque : 89.5 ft.lb
 Locked rotor torque : 200 %
 Breakdown torque : 229 %
 Rated speed : 880 rpm

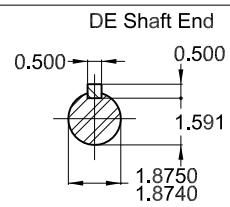
Moment of inertia (J) : 8.18 sq.ft.lb
 Duty cycle : Cont.(S1)
 Insulation class : F
 Service factor : 1.25
 Temperature rise : 80 K
 Design : B

Rev.	Changes Summary	Performed	Checked	Date
Performed by			Page 6 / 6	Revision
Checked by				
Date	01/06/2022			



Grounding for leads 5.2-25 mm² / 10-4 AWG

Color RAL 5009
 Painting plan 202E
 Mounting NEMA F-1
 Mounting B3R(D)



15 HP 08 Poles 60 Hz

Dimensions in inches

ECM	LOC	SUMMARY OF MODIFICATIONS	EXECUTED	CHECKED	RELEASED	DATE	VER
EXECUTED	HYBRISUSER	THREE PH. MOTOR IEEE 841 W22 PREM. EFF.					
CHECKED		FRAME 284/6T IP55 TEFC					
RELEASED							
REL DT.	WMO	Jaragua do Sul	Product Engineering				

PREVIEW
 WDD



SHEET 1 / 1

MADE IN BRAZIL
15344386



NEMA
Premium
W22

FOR SAFE AREA
Mod. TE1BFOXON
CC029A



Class I, Div 2, Gr A, B, C and D - T3
Class I, Zone 2, IIC - T3
Class II, Div 2, Gr F and G - T4
For use on PWM: Gr. A, B, C, D and F,
VT 1000:1, CT 20:1, 1.00SF - T3A

MODEL 01509ST3HIE286T-W22

Inverter Duty Motor
Severe Duty

IEEE
841-2009

PH3 60Hz Fr. 284/6T 1000m.a.s.l. IP55 TEFC 405lb

V 575

A 15.7

HP 15

kW 11

SF 1.25

SFA 19.6

RPM 880

PF 0.78

AMB 40°C

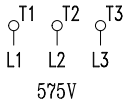
INS cl. F DT80K


NEMA NOM EFF 90.2%

DUTY CONT.

DESB Code G

GUARANT. EFF 88.5%



 → 6311-C3 (18g) 20000h
55BC03X30
→ 6211-C3 (18g) 20000h
55BC02X30

MOBIL POLYREX EM

