

# DATA SHEET



## Three Phase Induction Motor - Squirrel Cage

Customer :				
Product line	: W40 NEMA Premium Efficiency Three-Phase	Product code :	14494160	
		Catalog # :	01512OT3H284T-W40	
Frame	: 284T	Locked rotor time	: 28s (cold) 16s (hot)	
Output	: 15 HP (11 kW)	Temperature rise	: 80 K	
Poles	: 6	Duty cycle	: Cont.(S1)	
Frequency	: 60 Hz	Ambient temperature	: -20°C to +40°C	
Rated voltage	: 575 V	Altitude	: 1000 m.a.s.l.	
Rated current	: 14.7 A	Protection degree	: IP23	
L. R. Amperes	: 92.7 A	Cooling method	: IC01 - ODP	
LRC	: 6.3x(Code G)	Mounting	: F-1	
No load current	: 6.24 A	Rotation <sup>1</sup>	: Both (CW and CCW)	
Rated speed	: 1180 rpm	Noise level <sup>2</sup>	: 59.0 dB(A)	
Slip	: 1.67 %	Starting method	: Direct On Line	
Rated torque	: 66.8 ft.lb	Approx. weight <sup>3</sup>	: 315 lb	
Locked rotor torque	: 260 %			
Breakdown torque	: 260 %			
Insulation class	: F			
Service factor	: 1.25			
Moment of inertia (J)	: 4.80 sq.ft.lb			
Design	: B			
Output	25%    50%    75%    100%	Foundation loads		
Efficiency (%)	90.8    91.0    91.7    91.7	Max. traction		
Power Factor	0.42    0.67    0.77    0.82	Max. compression		
		<u>Drive end</u>	<u>Non drive end</u>	
Bearing type	:	6311 Z C3	6211 Z C3	
Sealing	:	Without Bearing Seal	Without Bearing Seal	
Lubrication interval	:	20000 h	20000 h	
Lubricant amount	:	18 g	11 g	
Lubricant type	:	Mobil Polyrex EM		
Notes				
This revision replaces and cancel the previous one, which must be eliminated. (1) Looking the motor from the shaft end. (2) Measured at 1m and with tolerance of +3dB(A). (3) Approximate weight subject to changes after manufacturing process. (4) At 100% of full load.		These are average values based on tests with sinusoidal power supply, subject to the tolerances stipulated in NEMA MG-1.		
Rev.	Changes Summary	Performed	Checked	Date
Performed by				
Checked by			Page	Revision
Date	13/04/2022		1 / 6	

# TORQUE AND CURRENT VS SPEED CURVE

## Three Phase Induction Motor - Squirrel Cage



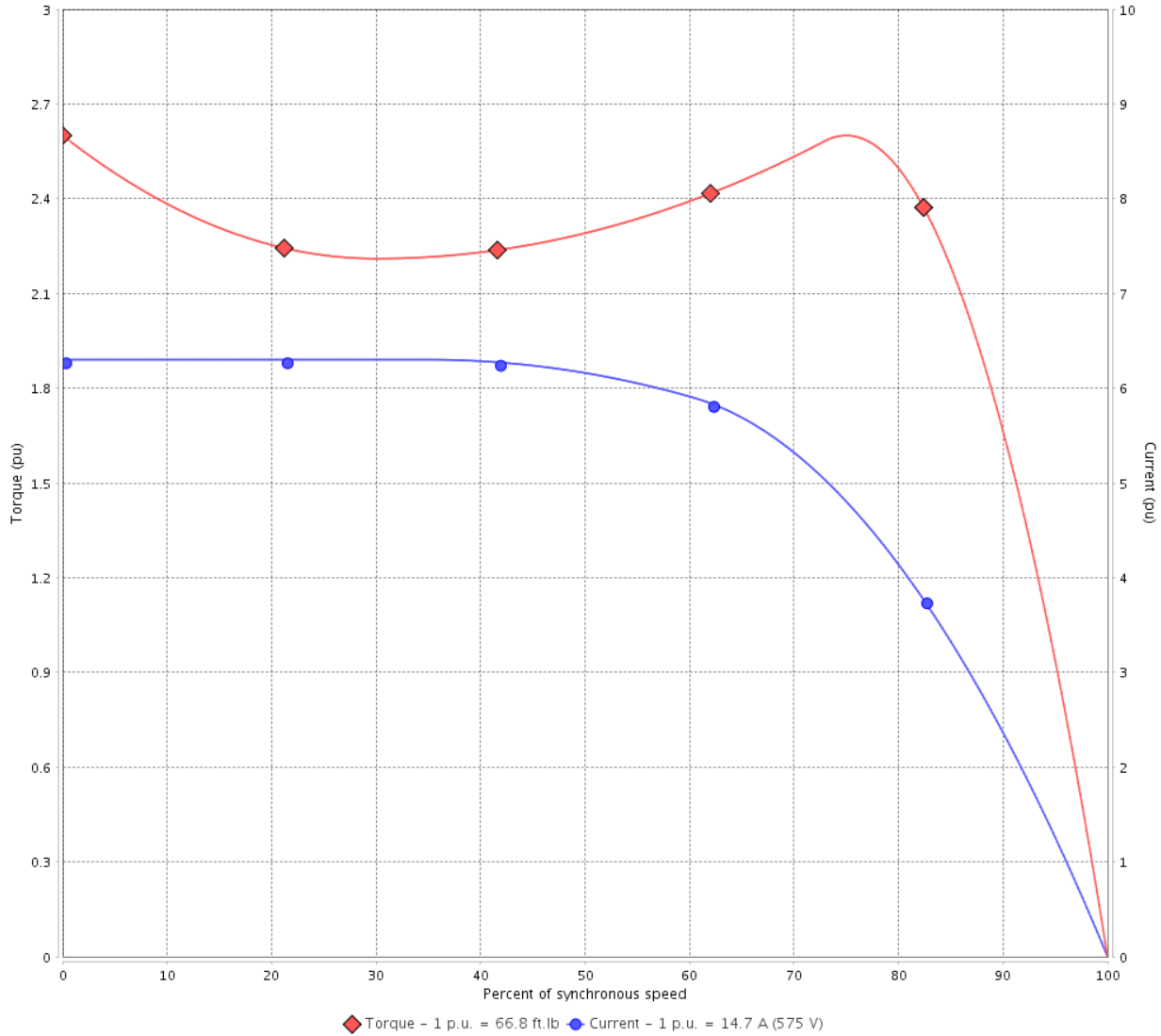
Customer :

Product line : W40 NEMA Premium Efficiency  
Three-Phase

Product code : 14494160

Catalog # : 015120T3H284T-W40

TORQUE AND CURRENT VS SPEED CURVE



Performance : 575 V 60 Hz 6P

Rated current	: 14.7 A	Moment of inertia (J)	: 4.80 sq.ft.lb
LRC	: 6.3	Duty cycle	: Cont.(S1)
Rated torque	: 66.8 ft.lb	Insulation class	: F
Locked rotor torque	: 260 %	Service factor	: 1.25
Breakdown torque	: 260 %	Temperature rise	: 80 K
Rated speed	: 1180 rpm	Design	: B

Locked rotor time : 28s (cold) 16s (hot)

Rev.	Changes Summary	Performed	Checked	Date
Performed by			Page 2 / 6	Revision
Checked by				
Date	13/04/2022			

# LOAD PERFORMANCE CURVE

## Three Phase Induction Motor - Squirrel Cage

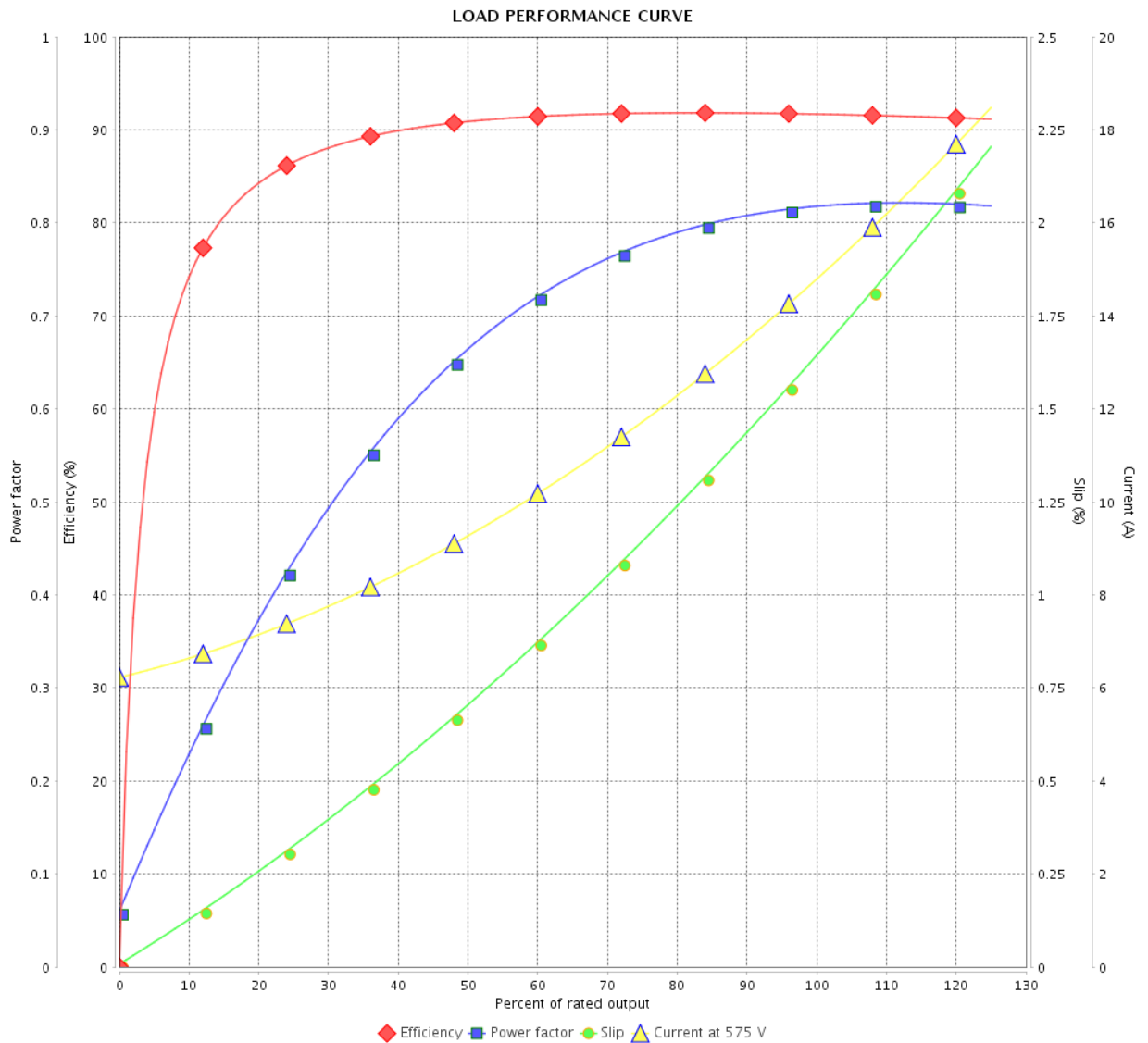


Customer :

Product line : W40 NEMA Premium Efficiency Three-Phase

Product code : 14494160

Catalog # : 015120T3H284T-W40



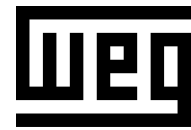
Performance : 575 V 60 Hz 6P

Rated current : 14.7 A  
 LRC : 6.3  
 Rated torque : 66.8 ft.lb  
 Locked rotor torque : 260 %  
 Breakdown torque : 260 %  
 Rated speed : 1180 rpm

Moment of inertia (J) : 4.80 sq.ft.lb  
 Duty cycle : Cont.(S1)  
 Insulation class : F  
 Service factor : 1.25  
 Temperature rise : 80 K  
 Design : B

Rev.	Changes Summary	Performed	Checked	Date
Performed by			Page	Revision
Checked by				
Date				

# THERMAL LIMIT CURVE



## Three Phase Induction Motor - Squirrel Cage

Customer :

Product line : W40 NEMA Premium Efficiency  
Three-Phase

Product code : 14494160

Catalog # : 01512OT3H284T-W40

Performance : 575 V 60 Hz 6P

Rated current	: 14.7 A	Moment of inertia (J)	: 4.80 sq.ft.lb
LRC	: 6.3	Duty cycle	: Cont.(S1)
Rated torque	: 66.8 ft.lb	Insulation class	: F
Locked rotor torque	: 260 %	Service factor	: 1.25
Breakdown torque	: 260 %	Temperature rise	: 80 K
Rated speed	: 1180 rpm	Design	: B

Heating constant

Cooling constant

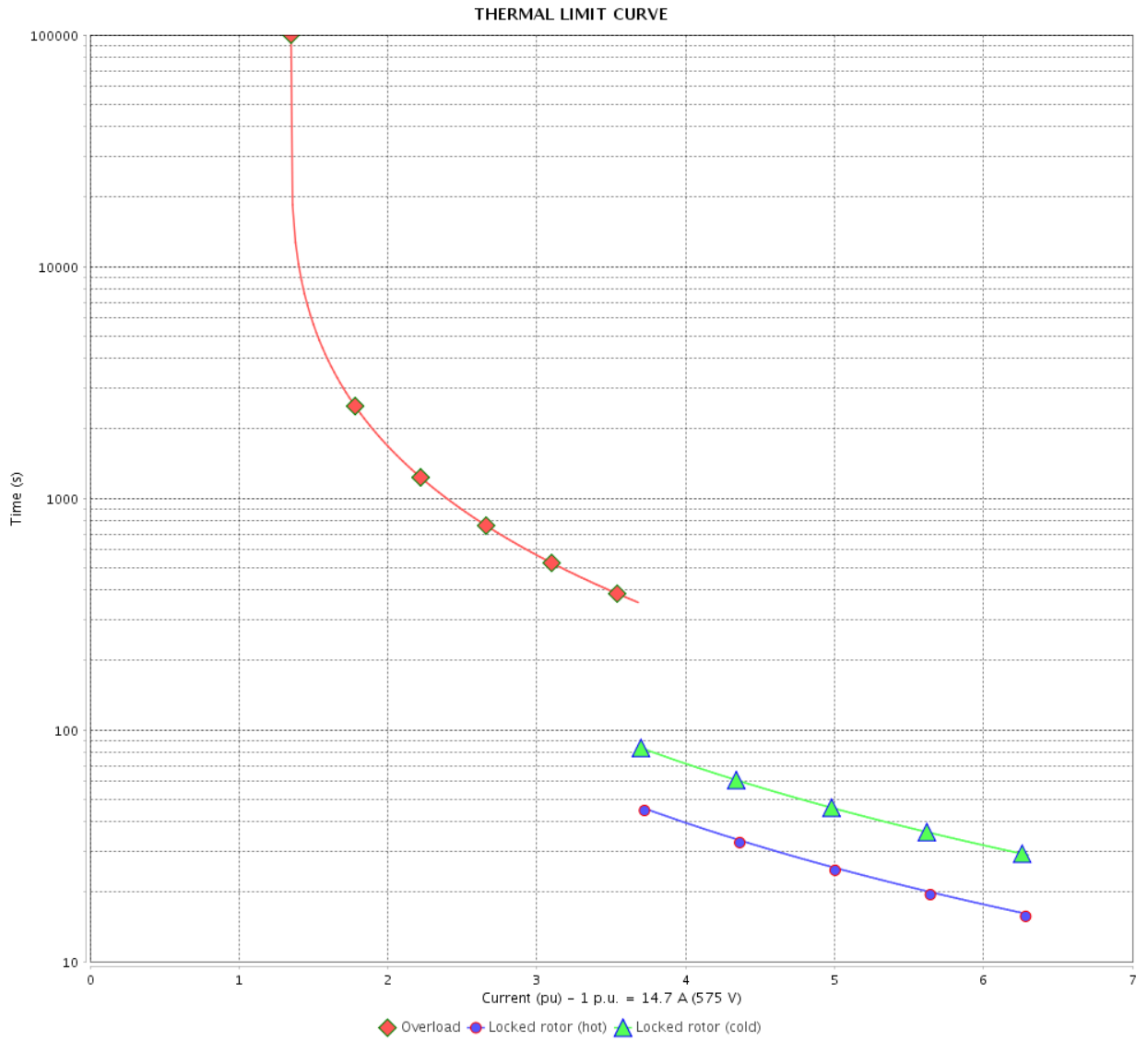
Rev.	Changes Summary	Performed	Checked	Date
Performed by				
Checked by			Page	Revision
Date	13/04/2022		4 / 6	

# THERMAL LIMIT CURVE

Three Phase Induction Motor - Squirrel Cage



Customer : \_\_\_\_\_



Rev.	Changes Summary	Performed	Checked	Date
Performed by		Page 5 / 6		Revision
Checked by				
Date				

# VFD OPERATION CURVE

Three Phase Induction Motor - Squirrel Cage



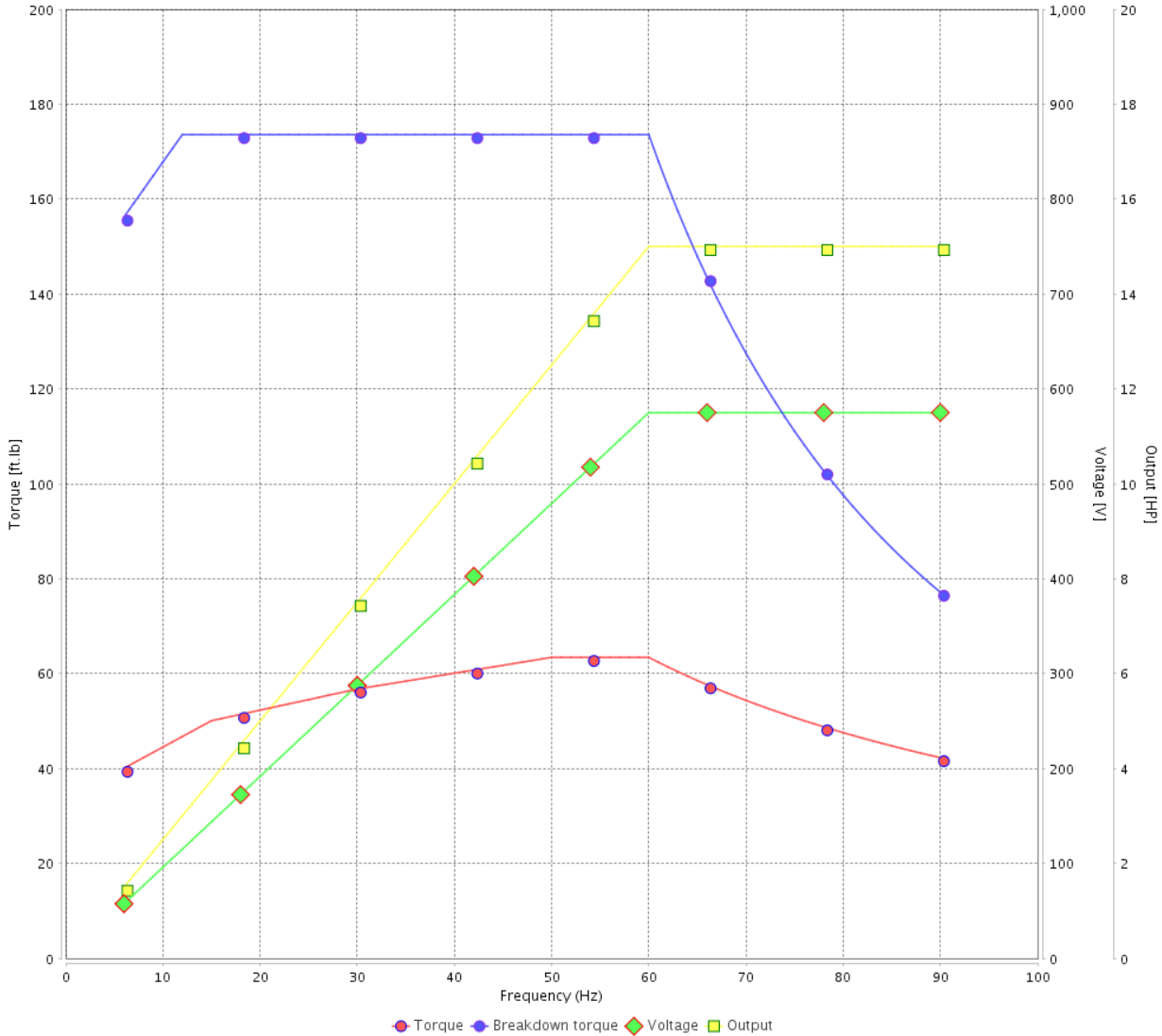
Customer :

Product line : W40 NEMA Premium Efficiency  
Three-Phase

Product code : 14494160

Catalog # : 015120T3H284T-W40

VFD OPERATION CURVE

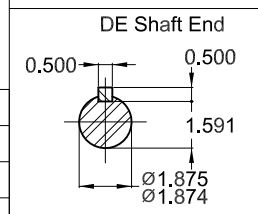
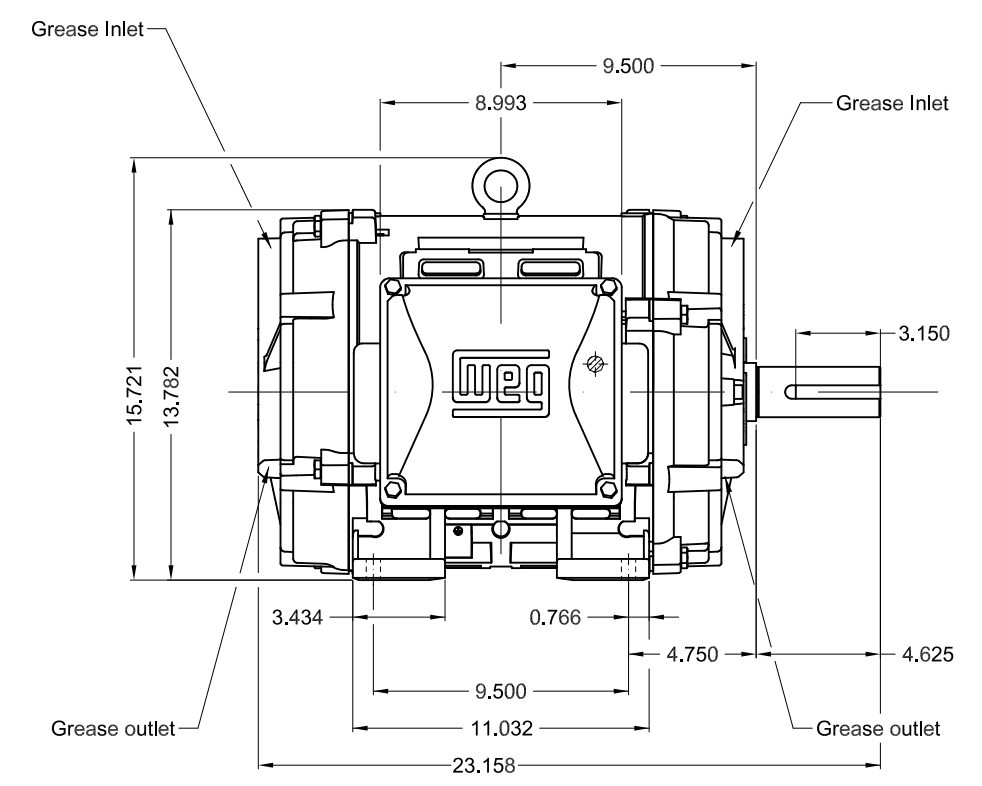
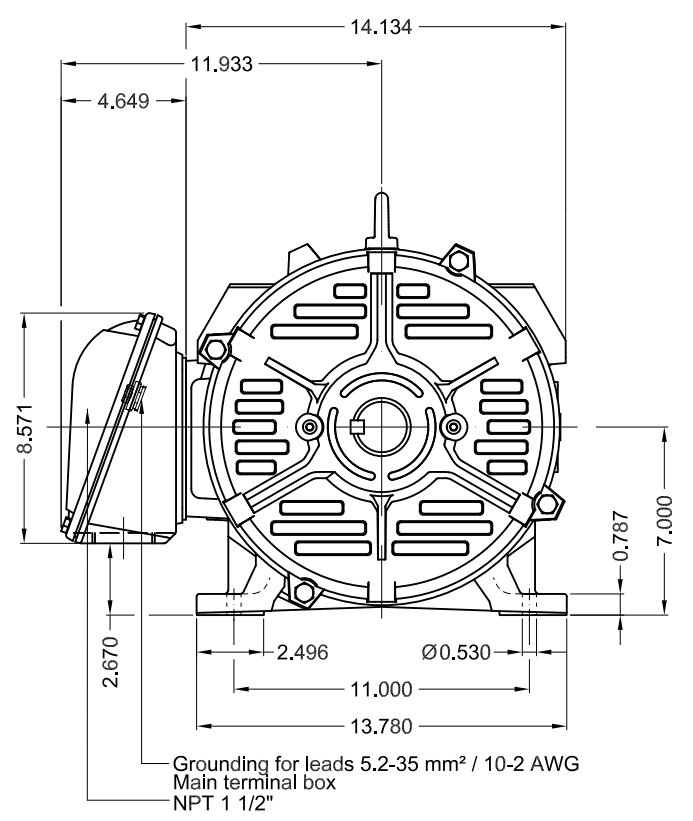


Performance : 575 V 60 Hz 6P

Rated current : 14.7 A  
LRC : 6.3  
Rated torque : 66.8 ft.lb  
Locked rotor torque : 260 %  
Breakdown torque : 260 %  
Rated speed : 1180 rpm

Moment of inertia (J) : 4.80 sq.ft.lb  
Duty cycle : Cont.(S1)  
Insulation class : F  
Service factor : 1.25  
Temperature rise : 80 K  
Design : B

Rev.	Changes Summary	Performed	Checked	Date
Performed by			Page 6 / 6	Revision
Checked by				
Date	13/04/2022			



Color RAL 5009  
Painting plan 203A  
Mounting NEMA F-1  
Mounting B3R(D)

15 HP 06 Poles 60 Hz A

1:7

ECM	LOC	SUMMARY OF MODIFICATIONS	EXECUTED	CHECKED	RELEASED	DATE	VER
EXECUTED	PIRWBUSER	THREE PH. MOTOR W40 PREM. EFF.					
CHECKED		FRAME 284T IP23 ODP					
RELEASED							
REL DT.	WMO	Jaragua do Sul	Product Engineering	SHEET	1 / 1		

PREVIEW  
WDD



MODEL 015120T3H284T-W40  
MADE IN BRAZIL  
14494160

**WEG** **W40 NEMA**  
**CC029A Premium**  
*Inverter Duty Motor*

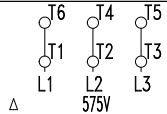
 **3PT9**  
**US LISTED**


MOD.T01#FOXON

  
**Energy Verified**

For use on PWM, VT 1000:1, CT 3:1, 1.0SF

PH 3	FR 284T	HP(kW) 15(11)	Hz 60
V 575	A 14.7	IP23	
NEMA NOM EFF	91.7 %	RPM 1180	
ENCL ODP	DUTY CONT.	INS. CL. F $\Delta$ T 80 K	
PF 0.82	DES B	CODE G	AMB. 40°C
SF 1.25	SFA 18.4	ALT 1000 m.a.s.l.	



 → 6311-Z-C3  
→ 6211-Z-C3

MOBIL POLYREX EM  
18 g 20000 h

315 Lbs