

TORQUE AND CURRENT VS SPEED CURVE

Three Phase Induction Motor - Squirrel Cage



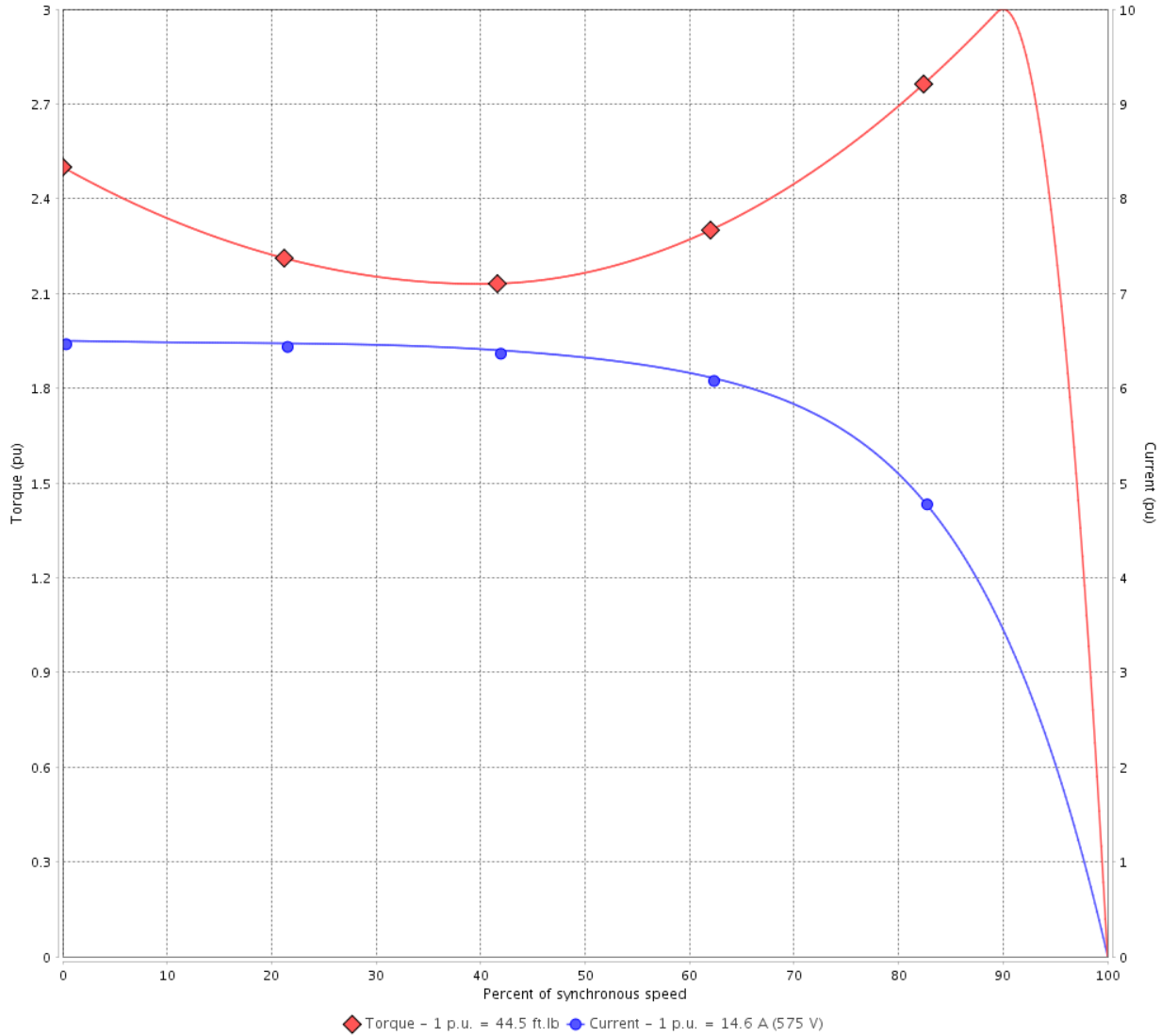
Customer :

Product line : JM Pump NEMA Premium
Efficiency Three-Phase

Product code : 14218529

Catalog # : 01518ET3H254JM-SG

TORQUE AND CURRENT VS SPEED CURVE



Performance : 575 V 60 Hz 4P

Rated current	: 14.6 A	Moment of inertia (J)	: 2.15 sq.ft.lb
LRC	: 6.5	Duty cycle	: Cont.(S1)
Rated torque	: 44.5 ft.lb	Insulation class	: F
Locked rotor torque	: 250 %	Service factor	: 1.15
Breakdown torque	: 300 %	Temperature rise	: 80 K
Rated speed	: 1770 rpm	Design	: B

Locked rotor time : 34s (cold) 19s (hot)

Rev.	Changes Summary	Performed	Checked	Date
Performed by			Page 2 / 6	Revision
Checked by				
Date	13/04/2022			

LOAD PERFORMANCE CURVE

Three Phase Induction Motor - Squirrel Cage

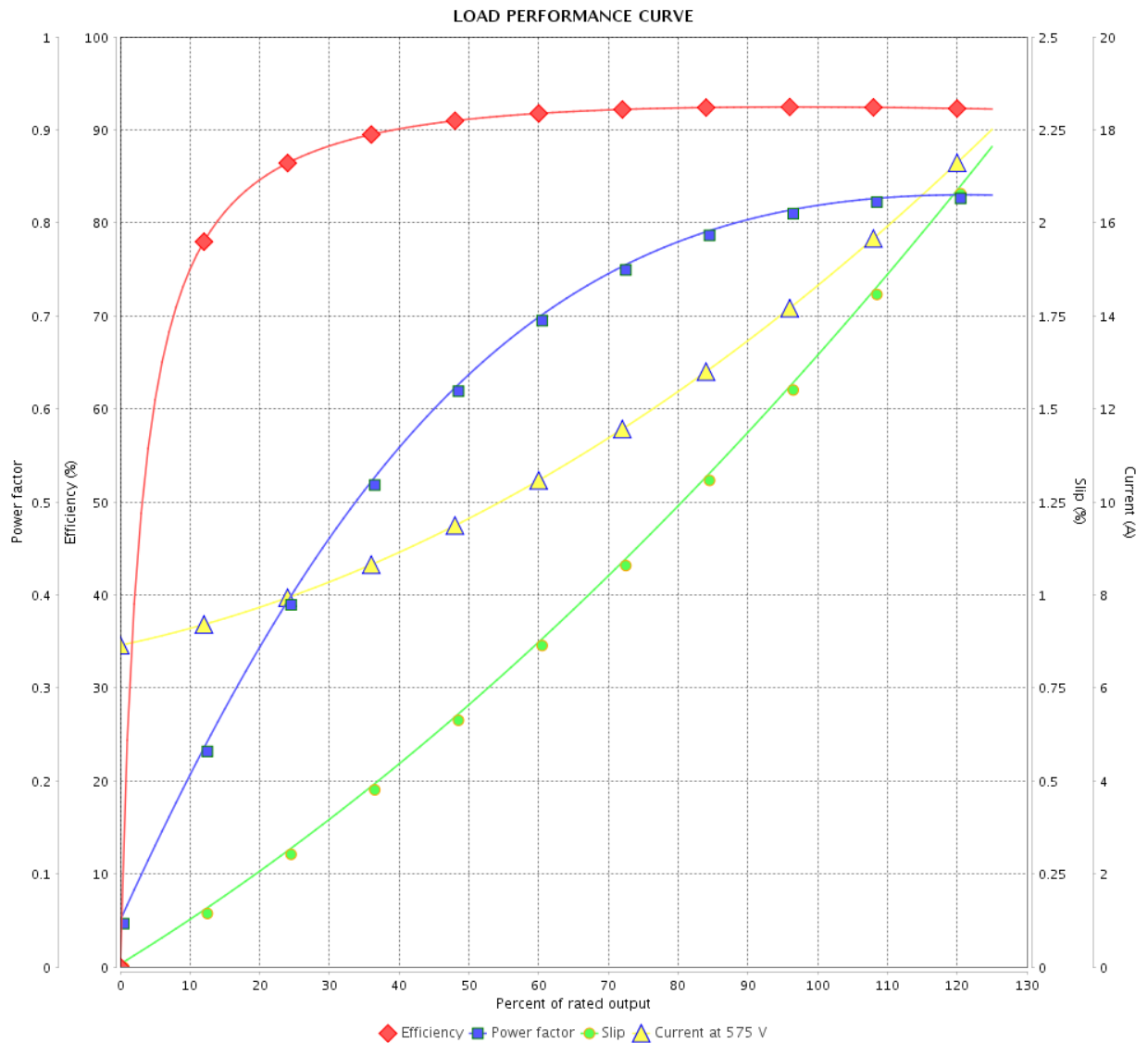


Customer :

Product line : JM Pump NEMA Premium Efficiency Three-Phase

Product code : 14218529

Catalog # : 01518ET3H254JM-SG



Performance : 575 V 60 Hz 4P

Rated current : 14.6 A
 LRC : 6.5
 Rated torque : 44.5 ft.lb
 Locked rotor torque : 250 %
 Breakdown torque : 300 %
 Rated speed : 1770 rpm

Moment of inertia (J) : 2.15 sq.ft.lb
 Duty cycle : Cont.(S1)
 Insulation class : F
 Service factor : 1.15
 Temperature rise : 80 K
 Design : B

Rev.	Changes Summary	Performed	Checked	Date
Performed by		Page		Revision
Checked by		3 / 6		
Date		13/04/2022		

THERMAL LIMIT CURVE



Three Phase Induction Motor - Squirrel Cage

Customer :

Product line : JM Pump NEMA Premium
Efficiency Three-Phase

Product code : 14218529

Catalog # : 01518ET3H254JM-SG

Performance : 575 V 60 Hz 4P

Rated current	: 14.6 A	Moment of inertia (J)	: 2.15 sq.ft.lb
LRC	: 6.5	Duty cycle	: Cont.(S1)
Rated torque	: 44.5 ft.lb	Insulation class	: F
Locked rotor torque	: 250 %	Service factor	: 1.15
Breakdown torque	: 300 %	Temperature rise	: 80 K
Rated speed	: 1770 rpm	Design	: B

Heating constant

Cooling constant

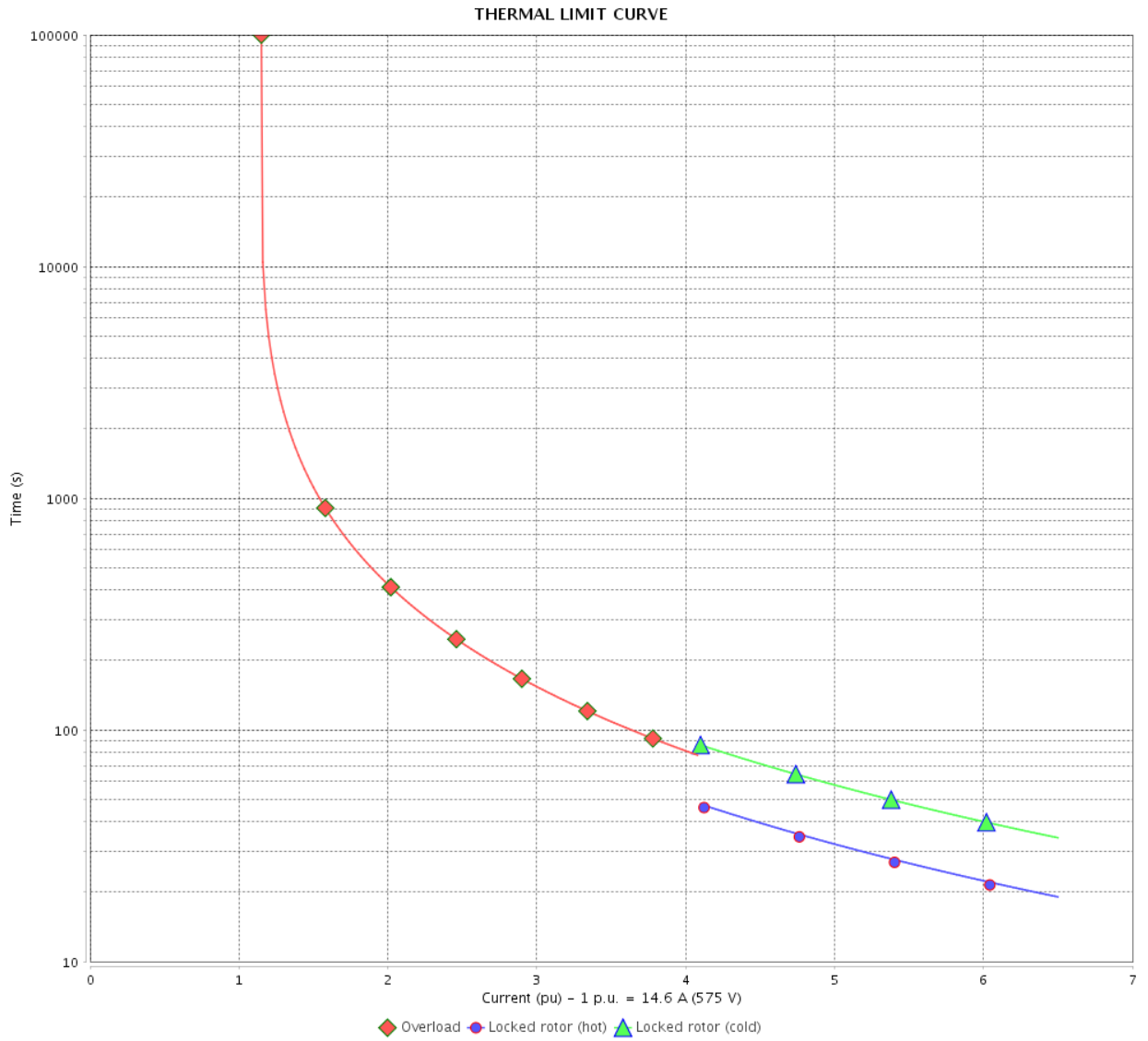
Rev.	Changes Summary	Performed	Checked	Date
Performed by				
Checked by			Page	Revision
Date	13/04/2022		4 / 6	

THERMAL LIMIT CURVE

Three Phase Induction Motor - Squirrel Cage



Customer : _____



Rev.	Changes Summary	Performed	Checked	Date
Performed by		Page 5 / 6		Revision
Checked by				
Date				

VFD OPERATION CURVE

Three Phase Induction Motor - Squirrel Cage



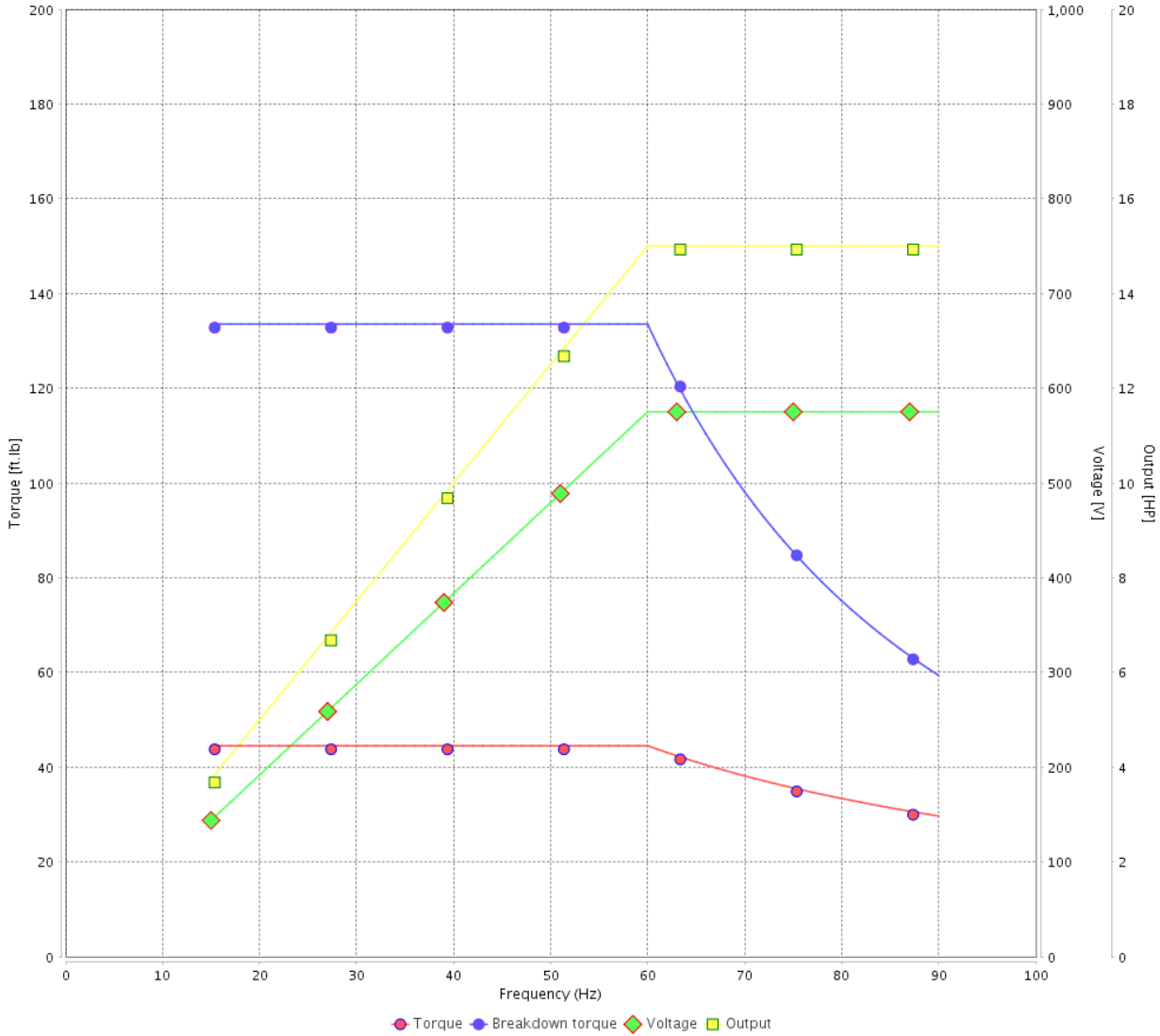
Customer : _____

Product line : JM Pump NEMA Premium Efficiency Three-Phase

Product code : 14218529

Catalog # : 01518ET3H254JM-SG

VFD OPERATION CURVE



Performance : 575 V 60 Hz 4P

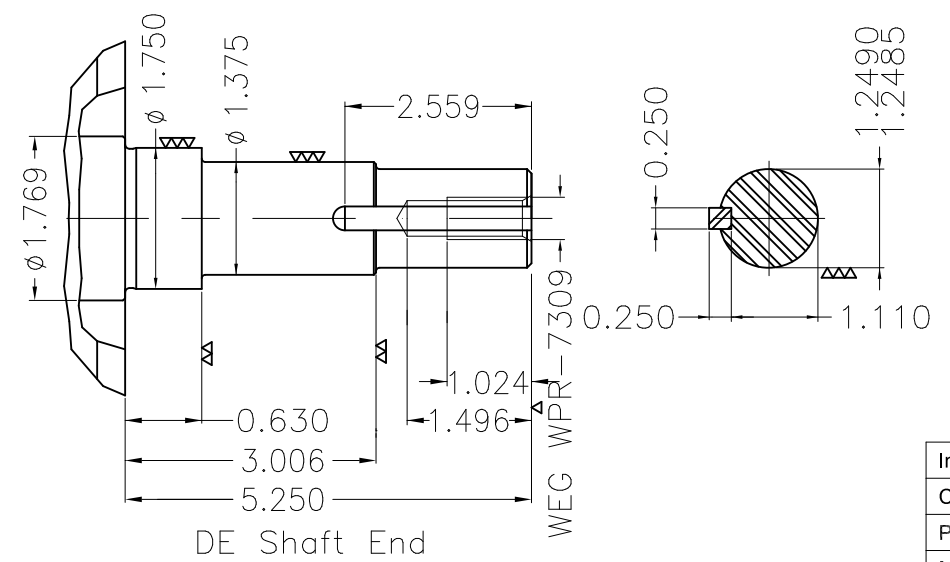
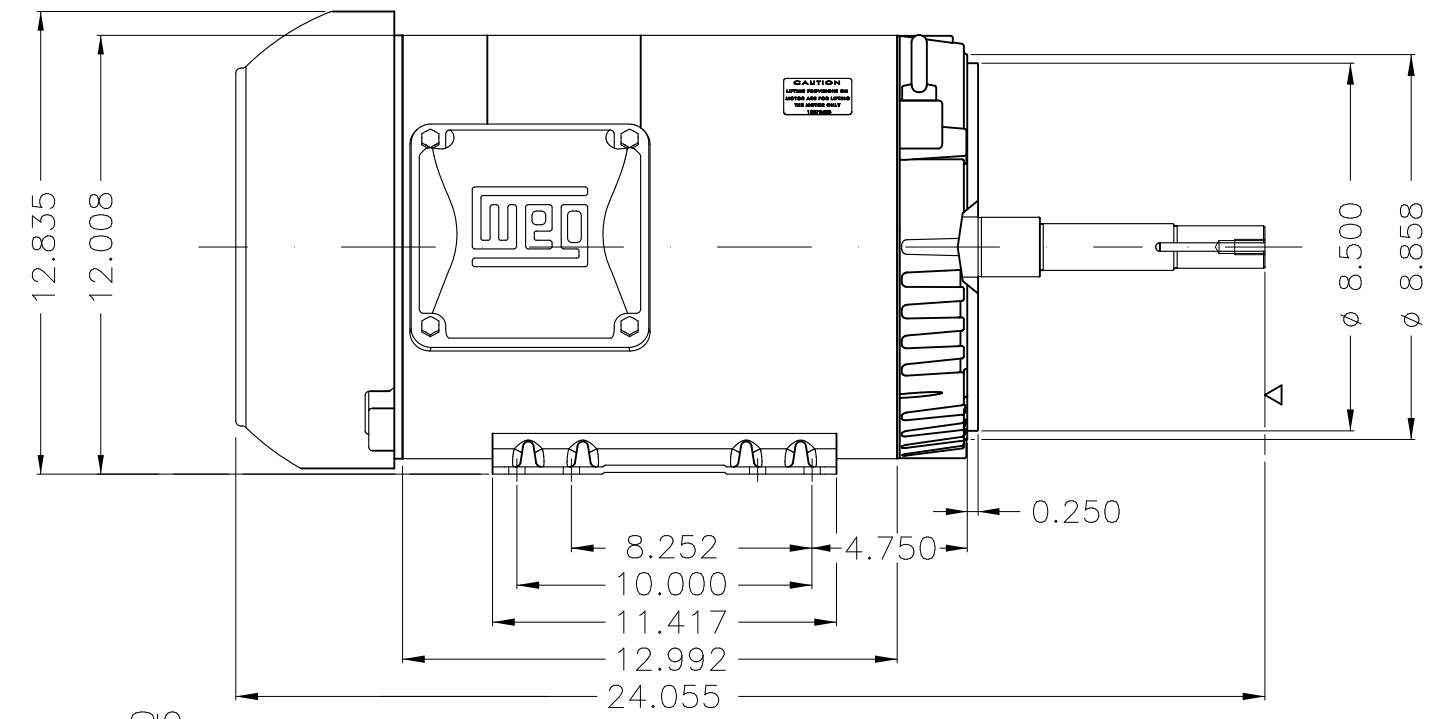
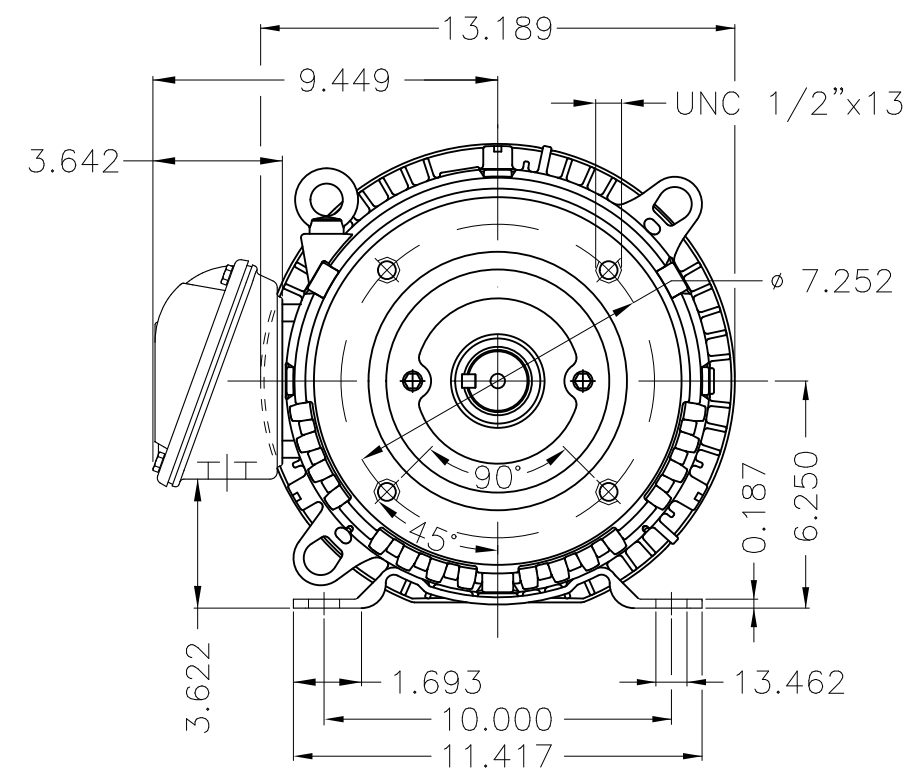
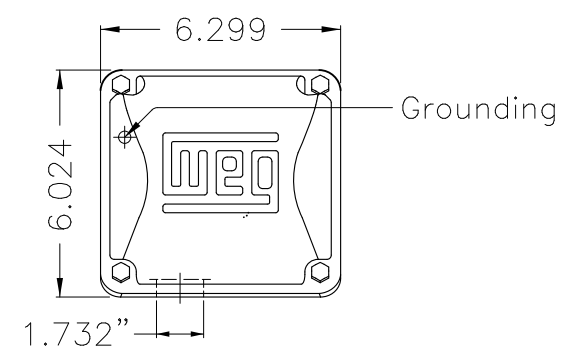
Rated current : 14.6 A
 LRC : 6.5
 Rated torque : 44.5 ft.lb
 Locked rotor torque : 250 %
 Breakdown torque : 300 %
 Rated speed : 1770 rpm

Moment of inertia (J) : 2.15 sq.ft.lb
 Duty cycle : Cont.(S1)
 Insulation class : F
 Service factor : 1.15
 Temperature rise : 80 K
 Design : B

Rev.	Changes Summary	Performed	Checked	Date
Performed by			Page 6 / 6	Revision
Checked by				
Date	13/04/2022			

1 2 3 4 5 6

A
B
C
D
E



EUNC 1/2"-13 WEG WPR-7309

DE Shaft End

Internal AEGIS ground ring on the DE
 Color Munsell N 1 matte black
 Painting plan 207N
 Mounting F-1/B34R(D)

ECM	LOC	SUMMARY OF MODIFICATIONS	EXECUTED	CHECKED	RELEASED	DATE	VER
EXECUTED	PIRBUSER	THREE PH. MOTOR ROLLED STEEL CLOSE COUPLED PUMP JN TYPE PSE 1/2"					
CHECKED		FRAME 254/6JM IP55 TEFC					
RELEASED							
REL DT.		WMO Jaragua do Sul	Product Engineering	WDD	SHEET	1 / 1	

15 HP 04 Poles 60 Hz





NEMA
Premium



MADE IN MEXICO

MAT: 14218529 CC029A

W01.TE0IC0X0N

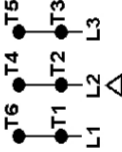
JM015504NPW01GR

08DEC2021 S/N:

PH 3	Hz 60	HP 15
FR 254/6JM		KW 11
DUTY CONT.		V 575
ALT 1000 m.a.s.l.		A 14.6
INS CL F AT 80K	IP55	SFA 16.8
AMB 40°C	DES B	SF 1.15
ENCL TEFC	CODE H	PF 0.82
		RPM 1770
		NEMA NOM. EFF 92.4%

Inverter duty motor For use on VPWM 1000:1 VT, 4:1 CT

DE 6309-Z-C3	ODE 6208-Z-C3	MOBIL POLYREX EM	20000h
--------------	---------------	------------------	--------



T1-BLU
T2-WHT
T3-ORG
T4-YEL
T5-BLK
T6-GRY

INTERCHANGE ANY TWO LINE WIRES TO REVERSE THE ROTATION

WARNING: Motor must be grounded in accordance with local and national electrical codes to prevent serious electrical shocks. Disconnect power source before servicing unit.



AVERTISSEMENT: Le moteur doit être mis à la terre

conformément aux codes électriques locaux et nationaux afin d'éviter tout choc électrique grave. Déconnectez l'alimentation avant l'entretien de la machine.

