

TORQUE AND CURRENT VS SPEED CURVE

Three Phase Induction Motor - Squirrel Cage



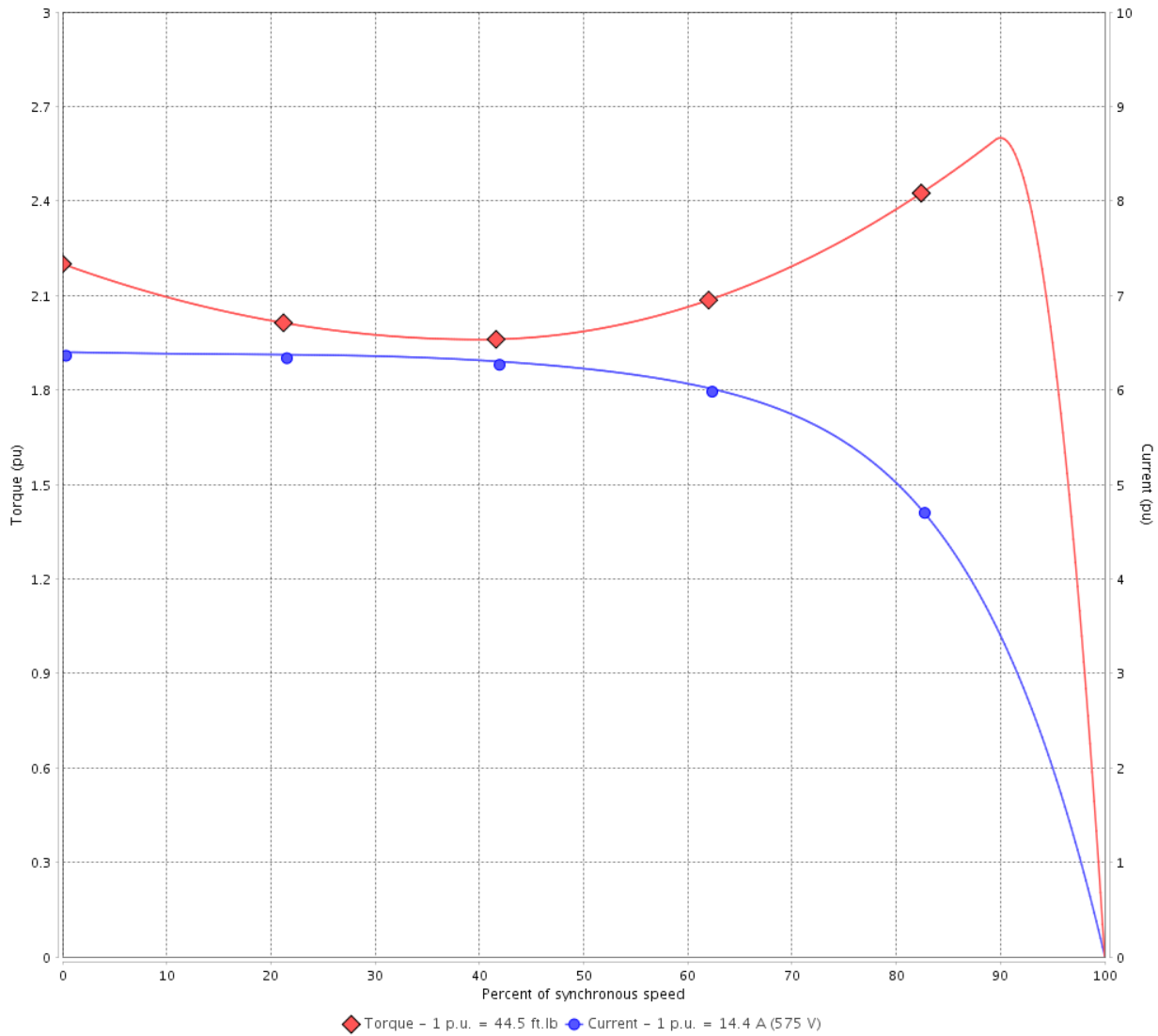
Customer :

Product line : NEMA Premium Efficiency Three-Phase

Product code : 12603921

Catalog # : 01518ET3H254JM-W22

TORQUE AND CURRENT VS SPEED CURVE



Performance : 575 V 60 Hz 4P

Rated current	: 14.4 A	Moment of inertia (J)	: 2.62 sq.ft.lb
LRC	: 6.4	Duty cycle	: Cont.(S1)
Rated torque	: 44.5 ft.lb	Insulation class	: F
Locked rotor torque	: 220 %	Service factor	: 1.25
Breakdown torque	: 260 %	Temperature rise	: 80 K
Rated speed	: 1770 rpm	Design	: B

Locked rotor time : 30s (cold) 17s (hot)

Rev.	Changes Summary	Performed	Checked	Date
Performed by			Page 2 / 6	Revision
Checked by				
Date	13/04/2022			

LOAD PERFORMANCE CURVE

Three Phase Induction Motor - Squirrel Cage

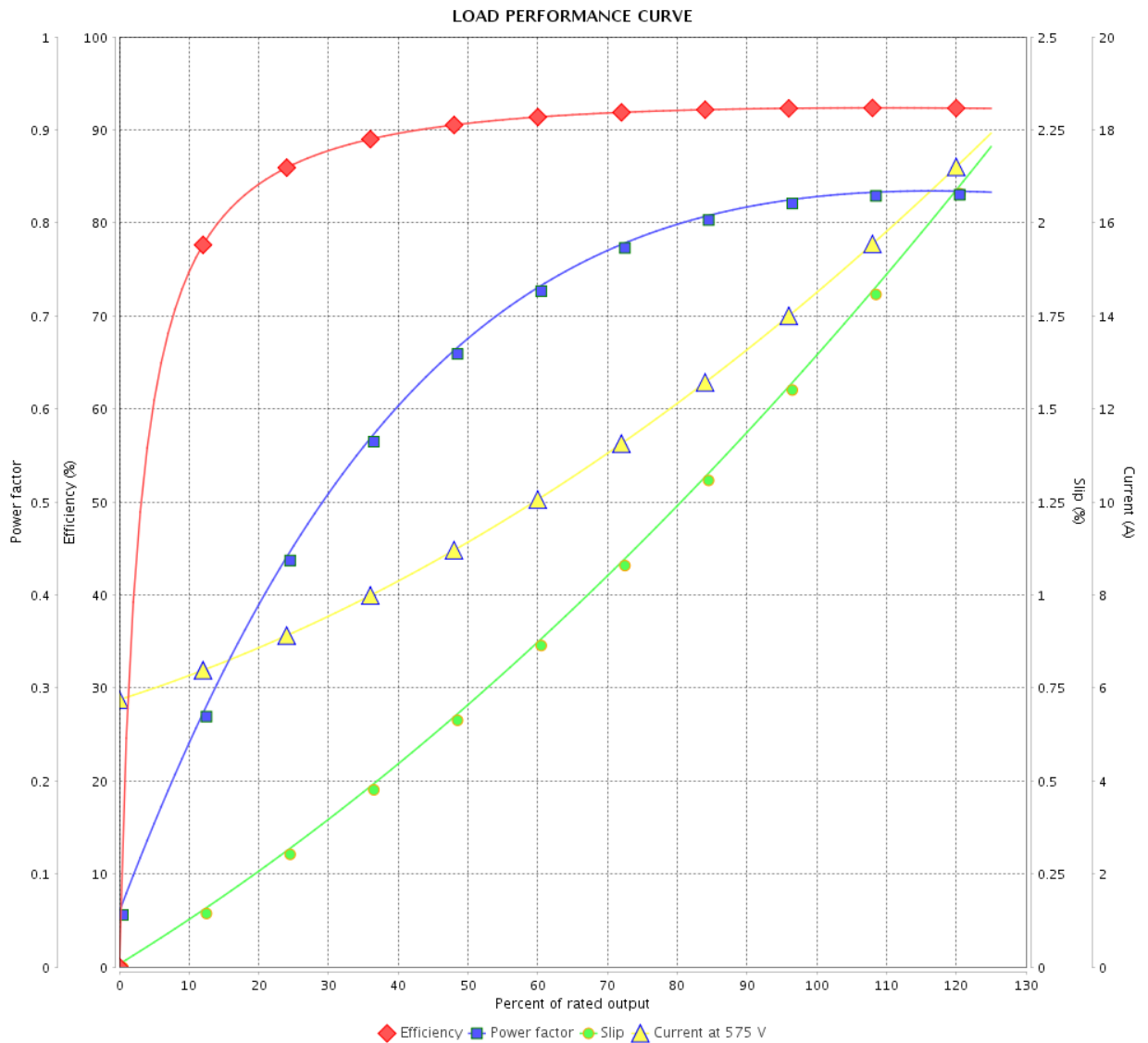


Customer :

Product line : NEMA Premium Efficiency Three-Phase

Product code : 12603921

Catalog # : 01518ET3H254JM-W22



Performance : 575 V 60 Hz 4P

Rated current : 14.4 A
 LRC : 6.4
 Rated torque : 44.5 ft.lb
 Locked rotor torque : 220 %
 Breakdown torque : 260 %
 Rated speed : 1770 rpm

Moment of inertia (J) : 2.62 sq.ft.lb
 Duty cycle : Cont.(S1)
 Insulation class : F
 Service factor : 1.25
 Temperature rise : 80 K
 Design : B

Rev.	Changes Summary	Performed	Checked	Date
Performed by		Page		Revision
Checked by		3 / 6		
Date		13/04/2022		

THERMAL LIMIT CURVE

Three Phase Induction Motor - Squirrel Cage



Customer :

Product line : NEMA Premium Efficiency Three-Phase
Product code : 12603921
Catalog # : 01518ET3H254JM-W22

Performance : 575 V 60 Hz 4P

Rated current	: 14.4 A	Moment of inertia (J)	: 2.62 sq.ft.lb
LRC	: 6.4	Duty cycle	: Cont.(S1)
Rated torque	: 44.5 ft.lb	Insulation class	: F
Locked rotor torque	: 220 %	Service factor	: 1.25
Breakdown torque	: 260 %	Temperature rise	: 80 K
Rated speed	: 1770 rpm	Design	: B

Heating constant

Cooling constant

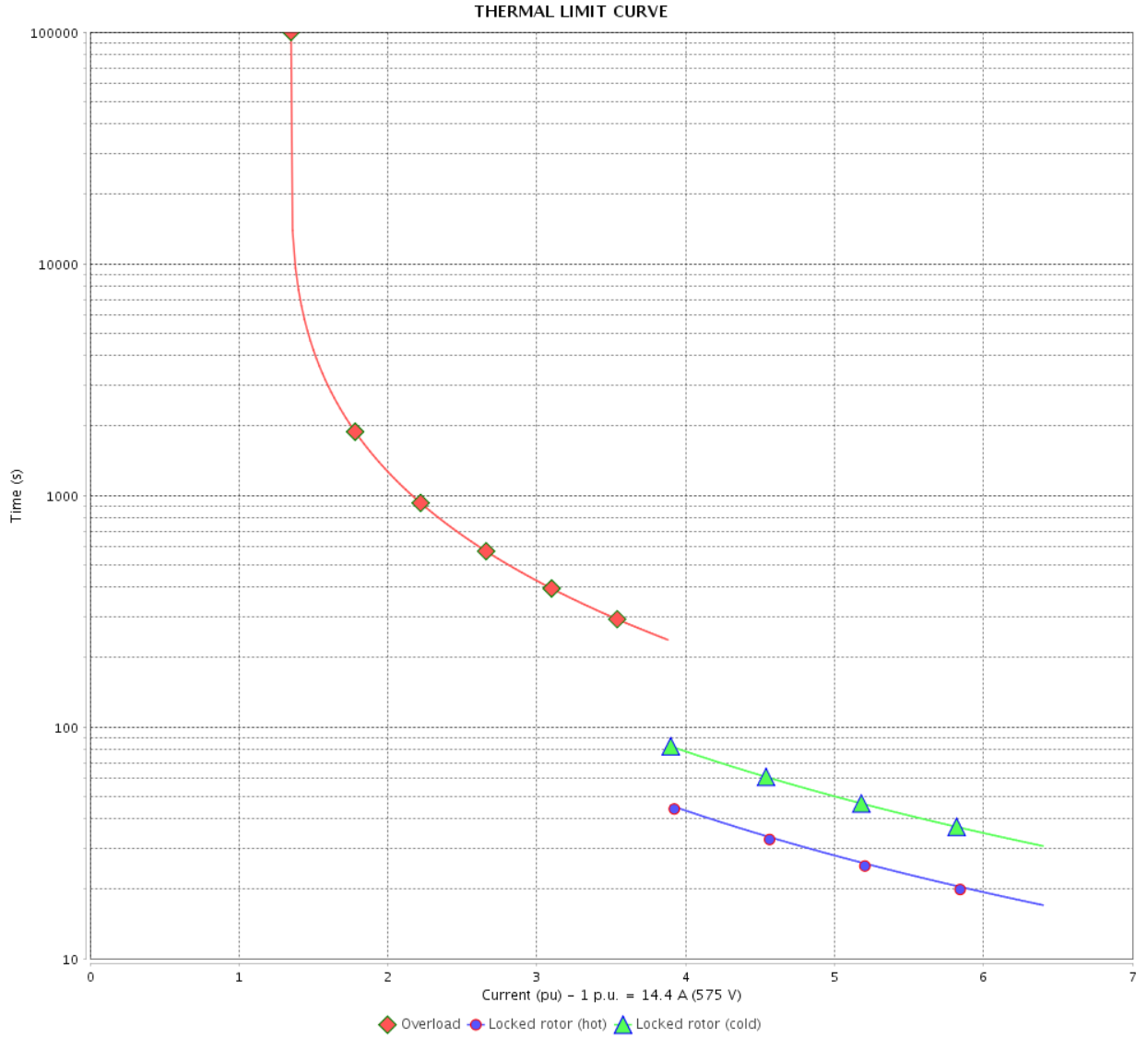
Rev.	Changes Summary	Performed	Checked	Date
Performed by				
Checked by			Page	Revision
Date	13/04/2022		4 / 6	

THERMAL LIMIT CURVE

Three Phase Induction Motor - Squirrel Cage



Customer : _____



Rev.	Changes Summary	Performed	Checked	Date
Performed by		Page 5 / 6		Revision
Checked by				
Date				

VFD OPERATION CURVE

Three Phase Induction Motor - Squirrel Cage



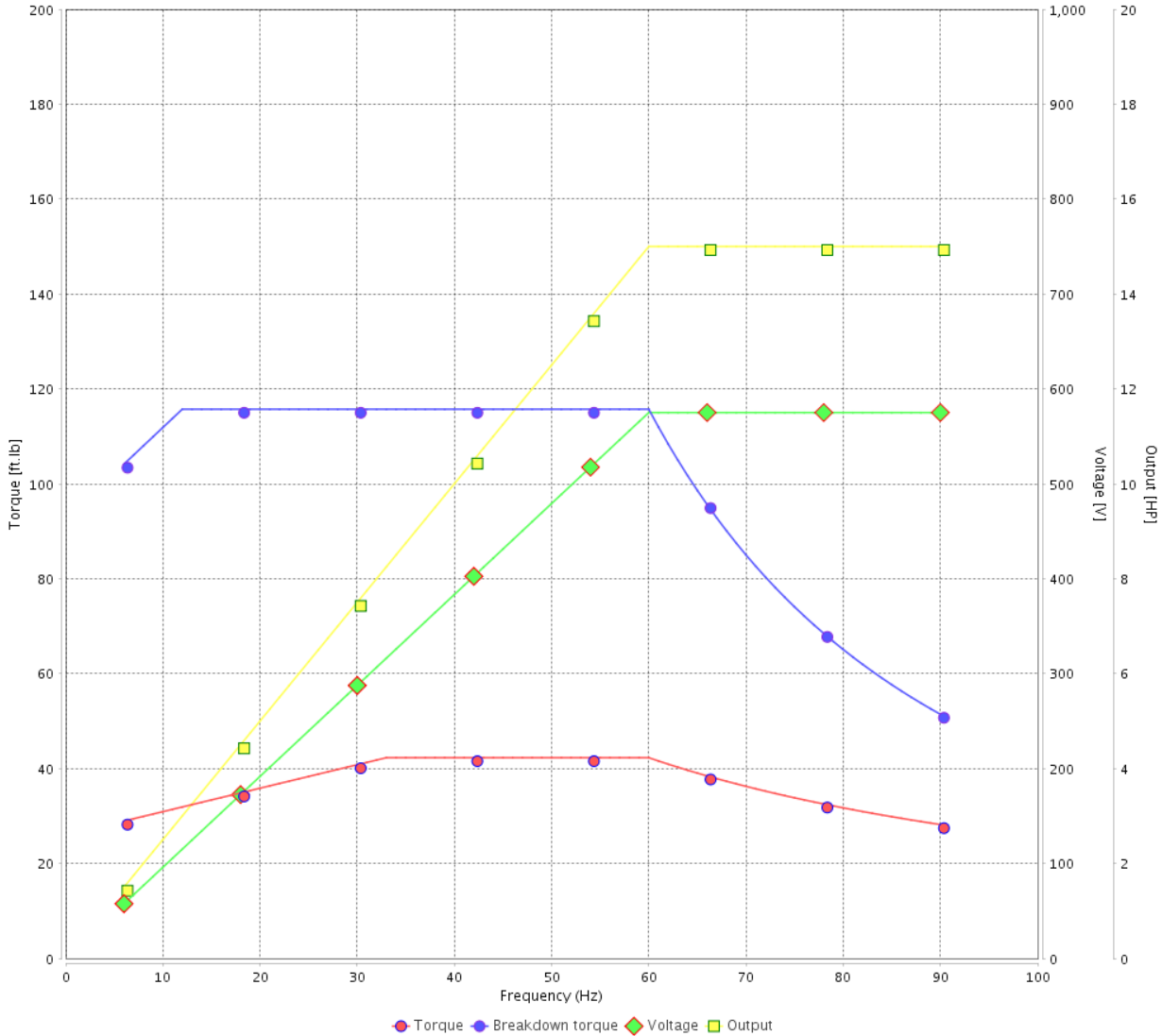
Customer :

Product line : NEMA Premium Efficiency Three-Phase

Product code : 12603921

Catalog # : 01518ET3H254JM-W22

VFD OPERATION CURVE



Performance : 575 V 60 Hz 4P

Rated current : 14.4 A
 LRC : 6.4
 Rated torque : 44.5 ft.lb
 Locked rotor torque : 220 %
 Breakdown torque : 260 %
 Rated speed : 1770 rpm

Moment of inertia (J) : 2.62 sq.ft.lb
 Duty cycle : Cont.(S1)
 Insulation class : F
 Service factor : 1.25
 Temperature rise : 80 K
 Design : B

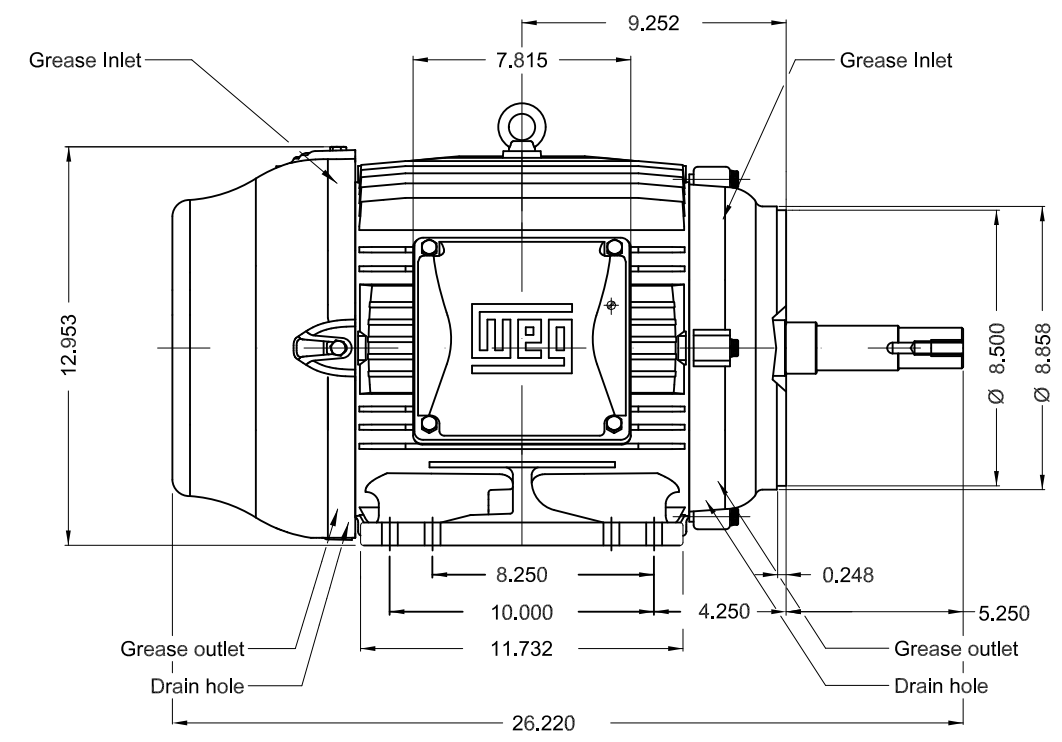
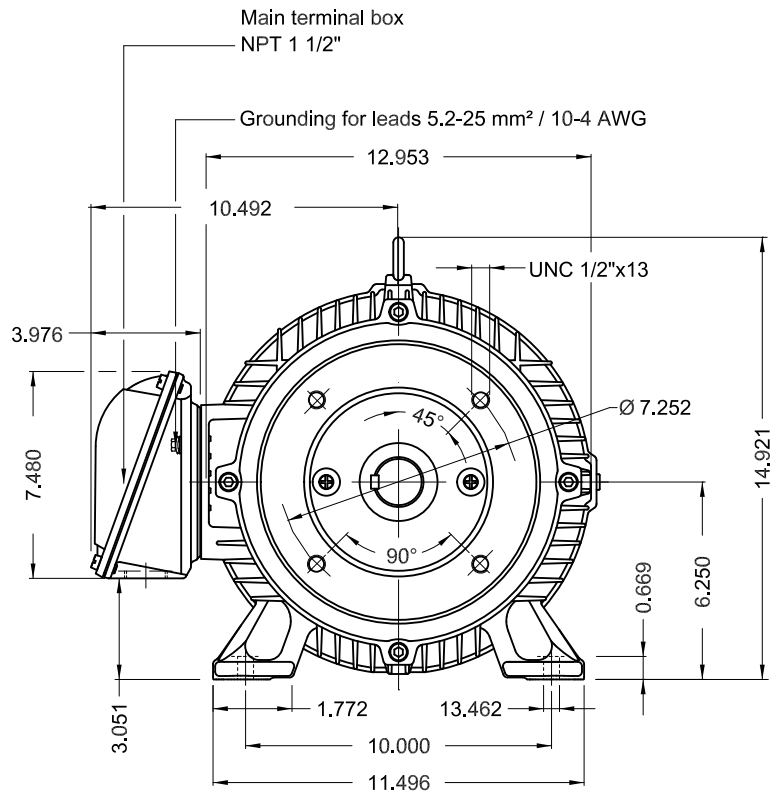
Rev.	Changes Summary	Performed	Checked	Date
Performed by			Page 6 / 6	Revision
Checked by				
Date	13/04/2022			

1 2 3 4 5 6

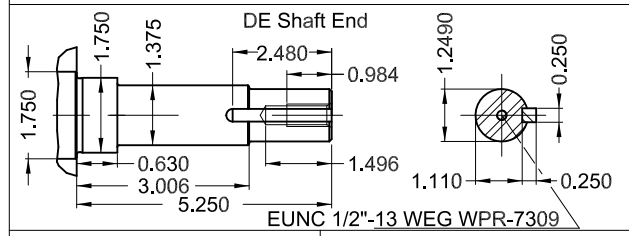
A

B

C



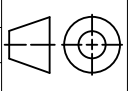

D



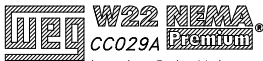
E

Color RAL 5009
 Painting plan 203A
 Mounting NEMA F-1
 Mounting B34R(D)

15 HP 04 Poles 60 Hz A

ECM	LOC	SUMMARY OF MODIFICATIONS			EXECUTED	CHECKED	RELEASED	DATE	VER
EXECUTED	PIRWBUSER	 THREE PH. MOTOR JM/JP/JET PUMP W22 PREM. EFF. FRAME 254/6JM IP55 TEFC	PREVIEW WDD			SHEET	1 / 1		
CHECKED									
RELEASED									
REL DT.	WMO								

MODEL 01518ET3H254JM-W22
MADE IN BRAZIL
12603921



Inverter Duty Motor
Severe Duty

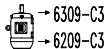
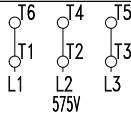


FOR SAFE AREA
MOD.TE1BFOXON



Class I, Div 2, Gr. A, B, C and D - T3
Class I, Zone 2, IIC - T3
Class II, Div 2, Gr. F and G - T4
For use on PWM, Gr. A, B, C, D and F,
VT 1000:1, CT 20:1, 1.0SF, T3A

PH 3	FR 254/6JM	HP(kW) 15(11)		Hz 60
V 575		A 14.4		IP55
NEMA NOM EFF		92.4	%	RPM 1768
ENCL TEFC	DUTY CONT.		INS. CL. F ΔT 80 K	
PF 0.83		DES B	CODE G	AMB. 40°C
SF 1.25	SFA 18.0		ALT 1000 m.a.s.l.	



→ 6309-C3
→ 6209-C3

MOBIL POLYREX EM
13 g 20000 h

295 Lbs