

# DATA SHEET



## Three Phase Induction Motor - Squirrel Cage

Customer :																
Product line : JP Pump NEMA Premium Efficiency Three-Phase	Product code : 13285848															
	Catalog # : 01518ET3H254JP-S															
Frame : 254/6JP Output : 15 HP (11 kW) Poles : 4 Frequency : 60 Hz Rated voltage : 575 V Rated current : 14.6 A L. R. Amperes : 94.6 A LRC : 6.5x(Code G) No load current : 6.92 A Rated speed : 1770 rpm Slip : 1.67 % Rated torque : 44.5 ft.lb Locked rotor torque : 250 % Breakdown torque : 300 % Insulation class : F Service factor : 1.15 Moment of inertia (J) : 2.15 sq.ft.lb Design : B	Locked rotor time : 34s (cold) 19s (hot) Temperature rise : 80 K Duty cycle : Cont.(S1) Ambient temperature : -20°C to +40°C Altitude : 1000 m.a.s.l. Protection degree : IP55 Cooling method : IC411 - TEFC Mounting : F-1 Rotation <sup>1</sup> : Both (CW and CCW) Noise level <sup>2</sup> : 68.0 dB(A) Starting method : Direct On Line Approx. weight <sup>3</sup> : 228 lb															
<table border="1" style="width:100%; border-collapse: collapse;"> <tr> <td>Output</td> <td>25%</td> <td>50%</td> <td>75%</td> <td>100%</td> </tr> <tr> <td>Efficiency (%)</td> <td>90.8</td> <td>91.0</td> <td>92.4</td> <td>92.4</td> </tr> <tr> <td>Power Factor</td> <td>0.39</td> <td>0.64</td> <td>0.76</td> <td>0.82</td> </tr> </table>	Output	25%	50%	75%	100%	Efficiency (%)	90.8	91.0	92.4	92.4	Power Factor	0.39	0.64	0.76	0.82	Foundation loads Max. traction : 526 lb Max. compression : 754 lb
Output	25%	50%	75%	100%												
Efficiency (%)	90.8	91.0	92.4	92.4												
Power Factor	0.39	0.64	0.76	0.82												
Bearing type : Sealing : Lubrication interval : Lubricant amount : Lubricant type :	<table style="width:100%;"> <tr> <td style="text-align:center;"><u>Drive end</u></td> <td style="text-align:center;"><u>Non drive end</u></td> </tr> <tr> <td style="text-align:center;">6309 Z C3</td> <td style="text-align:center;">6208 Z C3</td> </tr> <tr> <td style="text-align:center;">V'Ring</td> <td style="text-align:center;">Without Bearing Seal</td> </tr> <tr> <td style="text-align:center;">20000 h</td> <td style="text-align:center;">20000 h</td> </tr> <tr> <td style="text-align:center;">13 g</td> <td style="text-align:center;">8 g</td> </tr> <tr> <td colspan="2" style="text-align:center;">Mobil Polyrex EM</td> </tr> </table>	<u>Drive end</u>	<u>Non drive end</u>	6309 Z C3	6208 Z C3	V'Ring	Without Bearing Seal	20000 h	20000 h	13 g	8 g	Mobil Polyrex EM				
<u>Drive end</u>	<u>Non drive end</u>															
6309 Z C3	6208 Z C3															
V'Ring	Without Bearing Seal															
20000 h	20000 h															
13 g	8 g															
Mobil Polyrex EM																
Notes																
This revision replaces and cancel the previous one, which must be eliminated. (1) Looking the motor from the shaft end. (2) Measured at 1m and with tolerance of +3dB(A). (3) Approximate weight subject to changes after manufacturing process. (4) At 100% of full load.	These are average values based on tests with sinusoidal power supply, subject to the tolerances stipulated in NEMA MG-1.															
Rev.	Changes Summary	Performed	Checked	Date												
Performed by																
Checked by			Page	Revision												
Date	13/04/2022		1 / 6													

# TORQUE AND CURRENT VS SPEED CURVE

Three Phase Induction Motor - Squirrel Cage



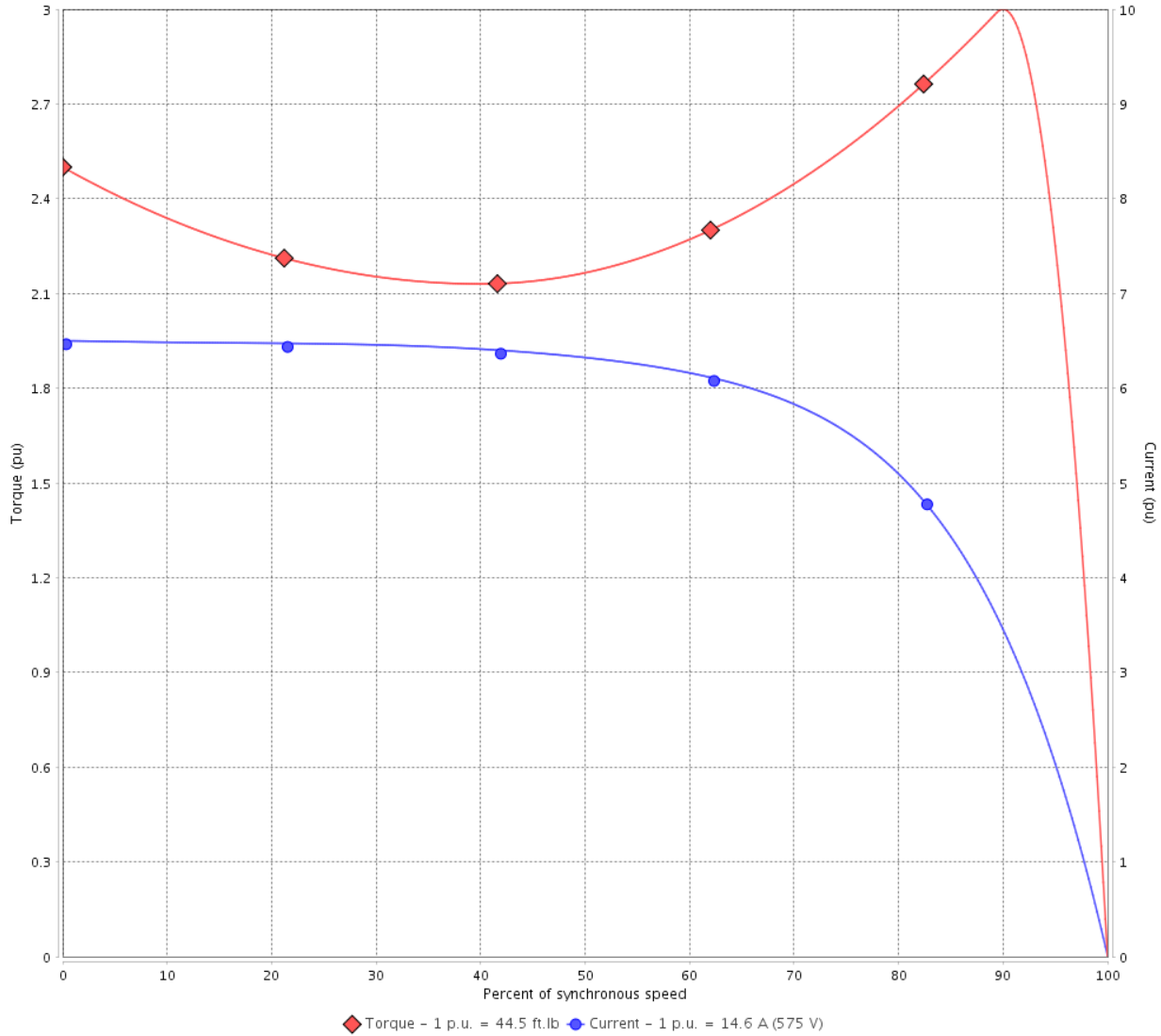
Customer :

Product line : JP Pump NEMA Premium Efficiency Three-Phase

Product code : 13285848

Catalog # : 01518ET3H254JP-S

TORQUE AND CURRENT VS SPEED CURVE



Performance : 575 V 60 Hz 4P

Rated current	: 14.6 A	Moment of inertia (J)	: 2.15 sq.ft.lb
LRC	: 6.5	Duty cycle	: Cont.(S1)
Rated torque	: 44.5 ft.lb	Insulation class	: F
Locked rotor torque	: 250 %	Service factor	: 1.15
Breakdown torque	: 300 %	Temperature rise	: 80 K
Rated speed	: 1770 rpm	Design	: B

Locked rotor time : 34s (cold) 19s (hot)

Rev.	Changes Summary	Performed	Checked	Date
Performed by			Page 2 / 6	Revision
Checked by				
Date	13/04/2022			

# LOAD PERFORMANCE CURVE

Three Phase Induction Motor - Squirrel Cage

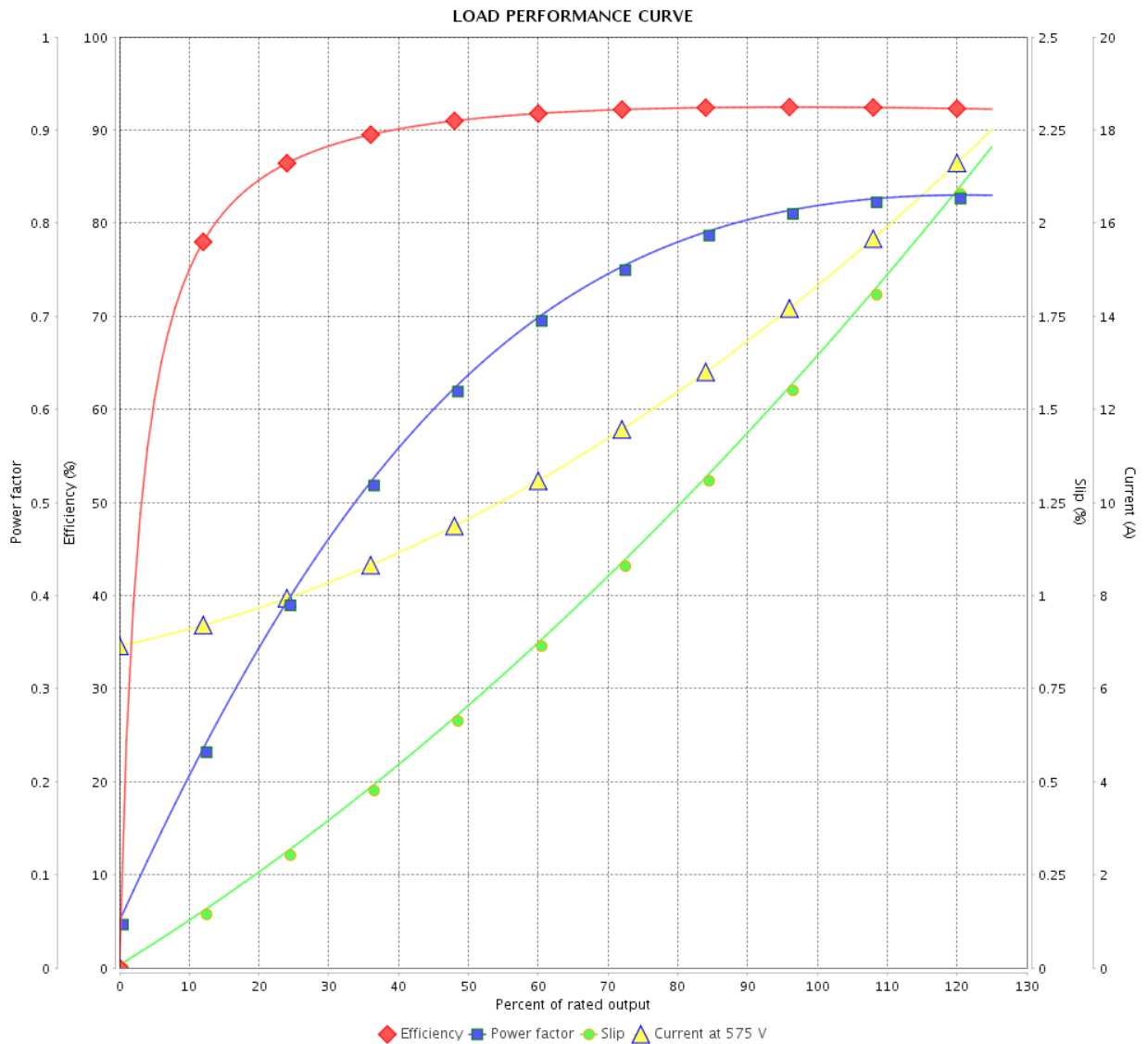


Customer :

Product line : JP Pump NEMA Premium Efficiency Three-Phase

Product code : 13285848

Catalog # : 01518ET3H254JP-S



Performance : 575 V 60 Hz 4P

Rated current : 14.6 A  
 LRC : 6.5  
 Rated torque : 44.5 ft.lb  
 Locked rotor torque : 250 %  
 Breakdown torque : 300 %  
 Rated speed : 1770 rpm

Moment of inertia (J) : 2.15 sq.ft.lb  
 Duty cycle : Cont.(S1)  
 Insulation class : F  
 Service factor : 1.15  
 Temperature rise : 80 K  
 Design : B

Rev.	Changes Summary	Performed	Checked	Date
Performed by		Page		Revision
Checked by		3 / 6		
Date		13/04/2022		

# THERMAL LIMIT CURVE



## Three Phase Induction Motor - Squirrel Cage

Customer :

Product line : JP Pump NEMA Premium  
Efficiency Three-Phase

Product code : 13285848

Catalog # : 01518ET3H254JP-S

Performance : 575 V 60 Hz 4P

Rated current	: 14.6 A	Moment of inertia (J)	: 2.15 sq.ft.lb
LRC	: 6.5	Duty cycle	: Cont.(S1)
Rated torque	: 44.5 ft.lb	Insulation class	: F
Locked rotor torque	: 250 %	Service factor	: 1.15
Breakdown torque	: 300 %	Temperature rise	: 80 K
Rated speed	: 1770 rpm	Design	: B

Heating constant

Cooling constant

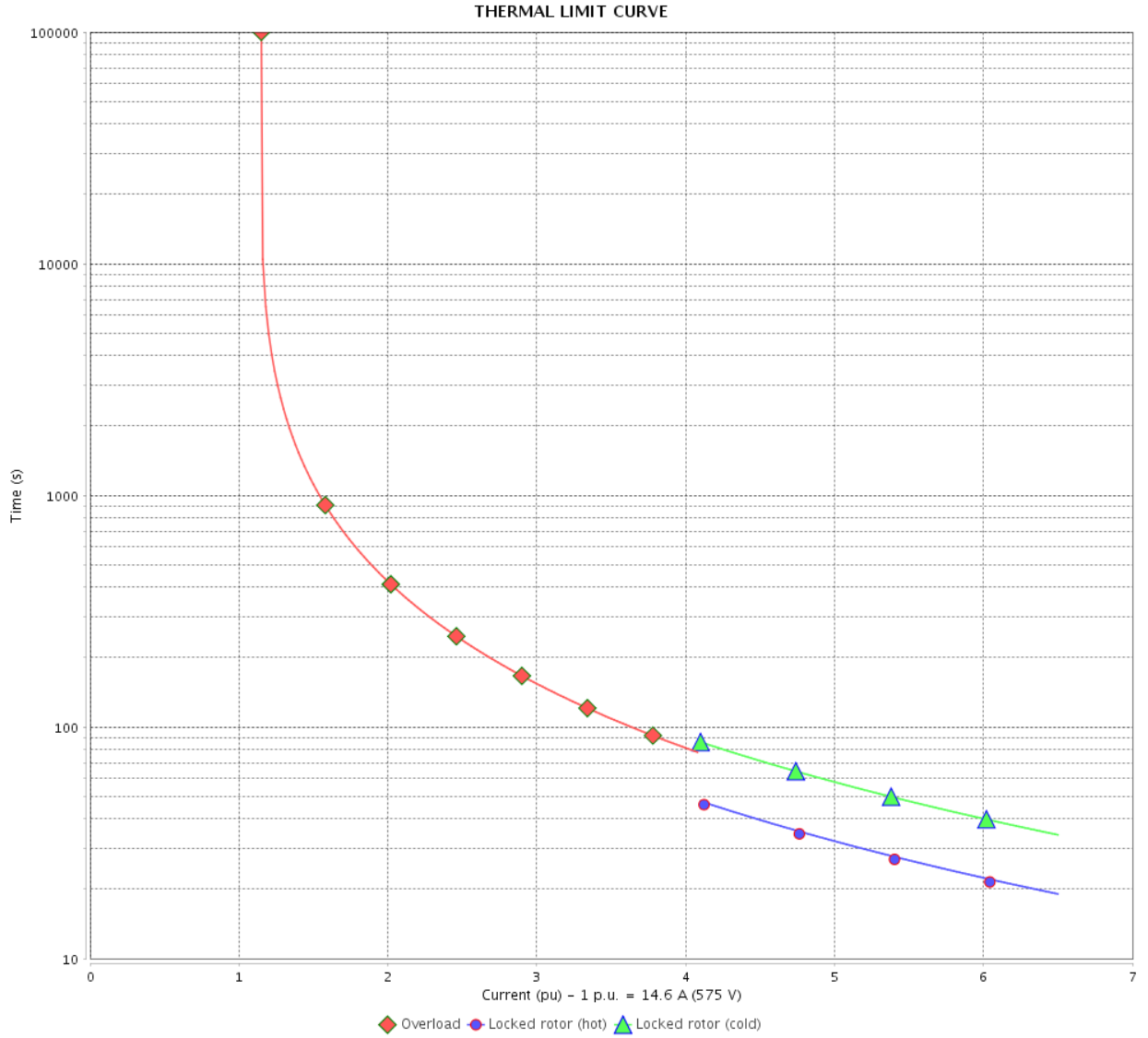
Rev.	Changes Summary	Performed	Checked	Date
Performed by				
Checked by			Page	Revision
Date	13/04/2022		4 / 6	

# THERMAL LIMIT CURVE

Three Phase Induction Motor - Squirrel Cage



Customer : \_\_\_\_\_



Rev.	Changes Summary	Performed	Checked	Date
Performed by		Page 5 / 6		Revision
Checked by				
Date				

# VFD OPERATION CURVE

Three Phase Induction Motor - Squirrel Cage



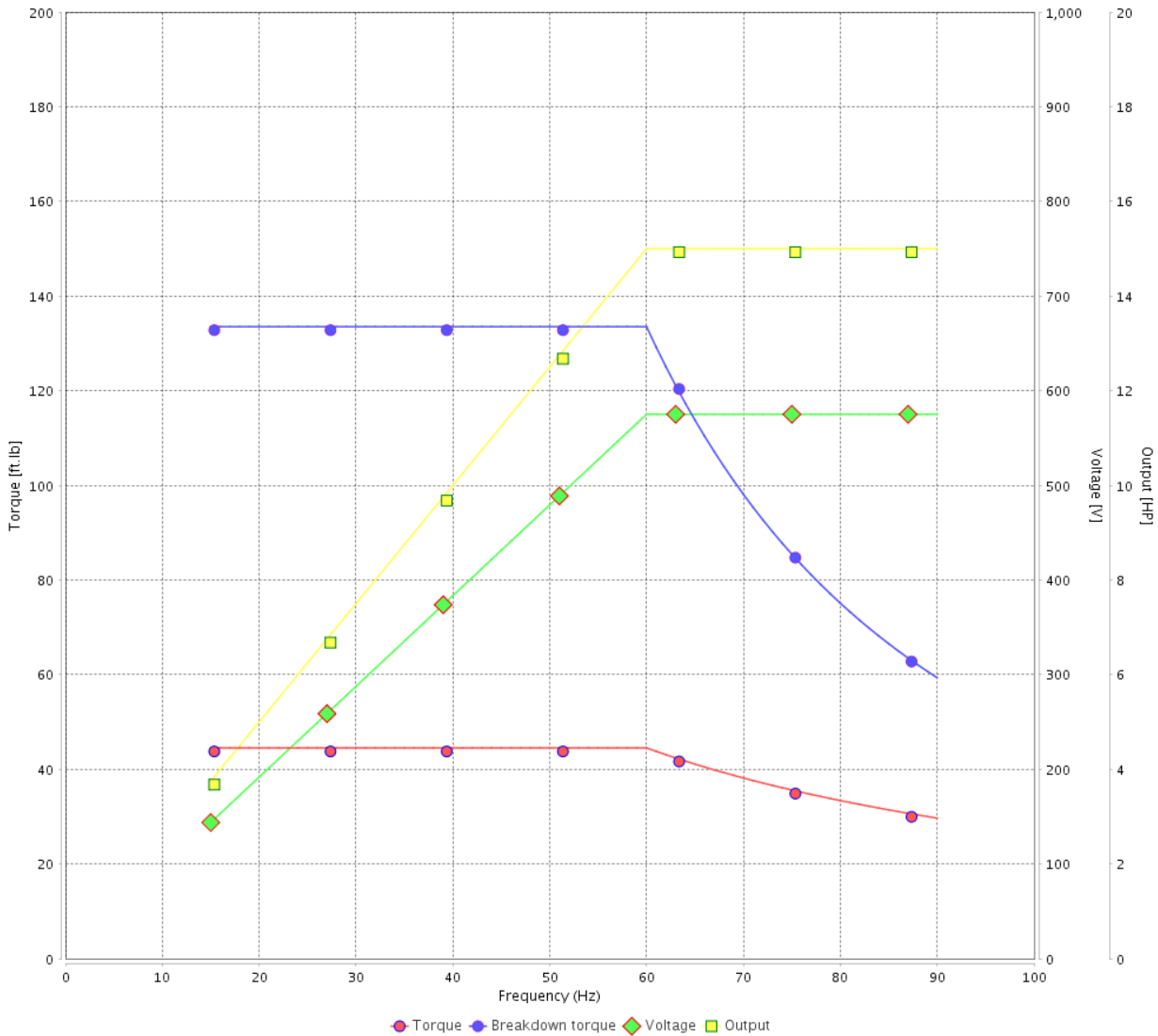
Customer :

Product line : JP Pump NEMA Premium Efficiency Three-Phase

Product code : 13285848

Catalog # : 01518ET3H254JP-S

VFD OPERATION CURVE



Performance : 575 V 60 Hz 4P

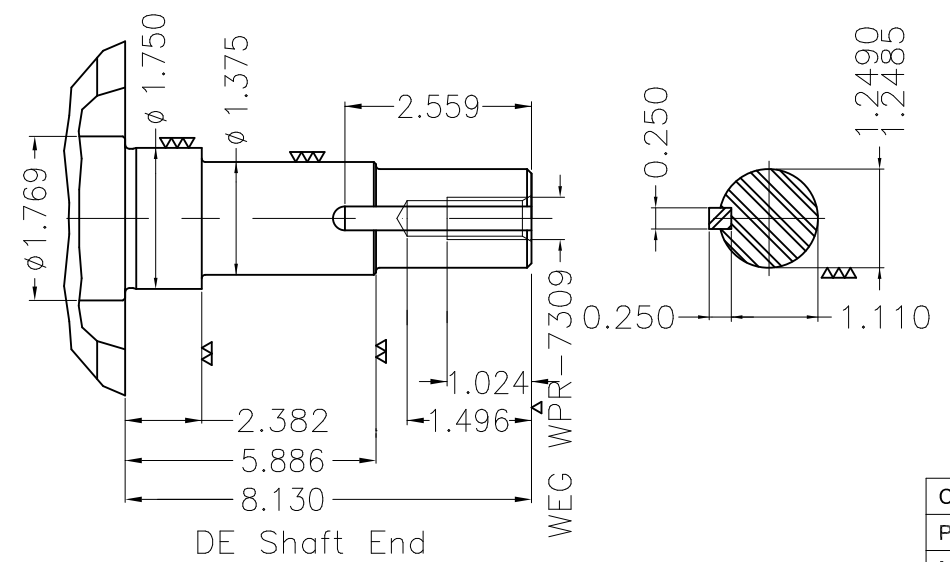
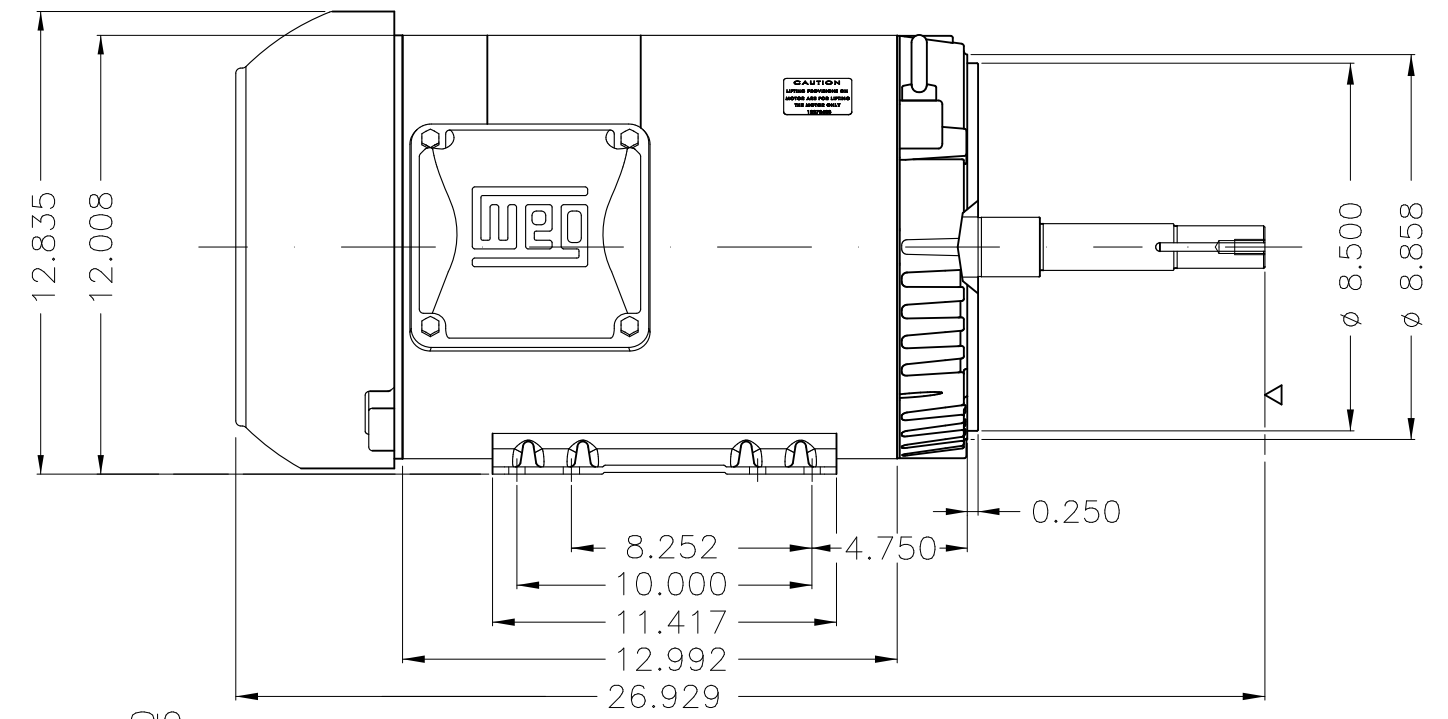
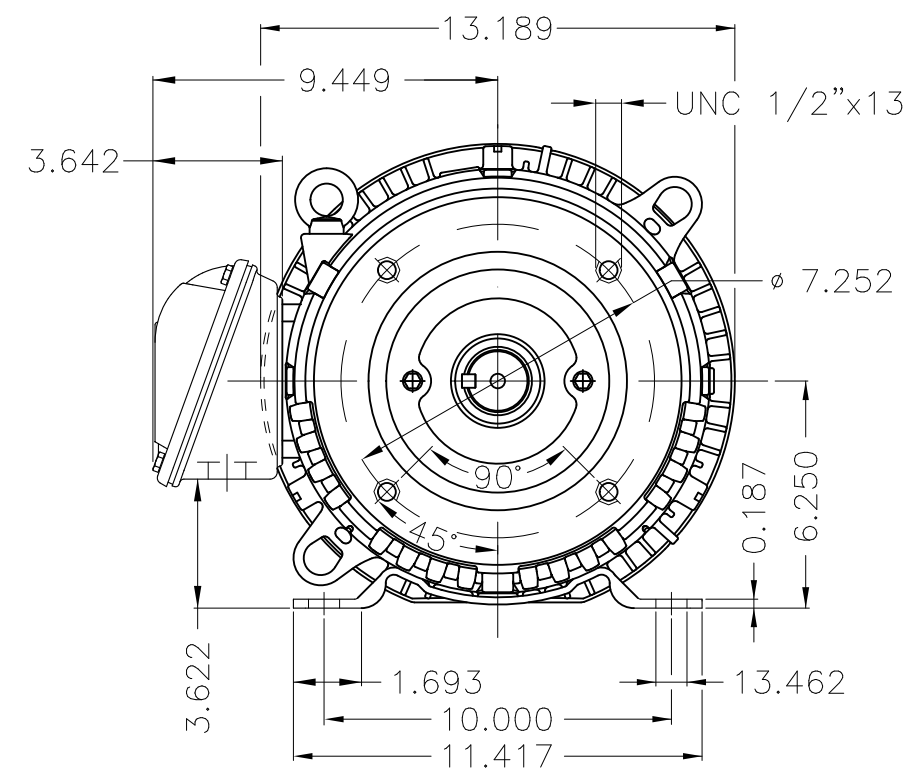
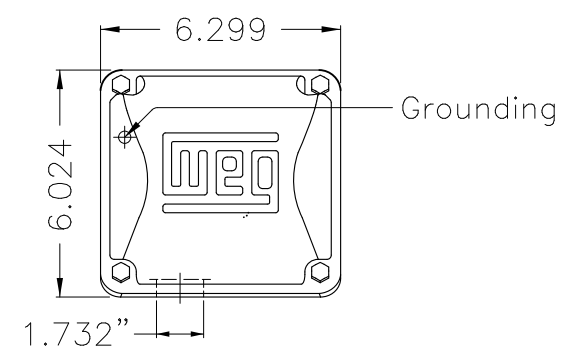
Rated current : 14.6 A  
 LRC : 6.5  
 Rated torque : 44.5 ft.lb  
 Locked rotor torque : 250 %  
 Breakdown torque : 300 %  
 Rated speed : 1770 rpm

Moment of inertia (J) : 2.15 sq.ft.lb  
 Duty cycle : Cont.(S1)  
 Insulation class : F  
 Service factor : 1.15  
 Temperature rise : 80 K  
 Design : B

Rev.	Changes Summary	Performed	Checked	Date
Performed by			Page	Revision
Checked by				
Date				

1 2 3 4 5 6

A  
B  
C  
D  
E



EUNC 1/2"-13 WEG WPR-7309

DE Shaft End

Color Munsell N 1 matte black  
 Painting plan 207N  
 Mounting F-1/B34R(D)

ECM	LOC	SUMMARY OF MODIFICATIONS	EXECUTED	CHECKED	RELEASED	DATE	VER
EXECUTED	PIRWBUSER	THREE PH. MOTOR ROLLED STEEL CLOSE COUPLED PUMP JP 3/4 DE PREM LFA					
CHECKED		FRAME 254/6JP IP55 TEFC					
RELEASED							
REL DT.	WMO	Jaragua do Sul	Product Engineering	WDD			

15 HP 04 Poles 60 Hz

REL DT. WMO Jaragua do Sul Product Engineering SHEET 1 / 1





**NEMA**  
**Premium**



MADE IN MEXICO

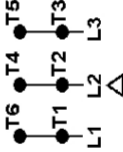
**MAT: 13285848 CC029A**  
**W01.TE0IC0X0N**  
**JP015504NPW01**  
**28MAI2021 S/N:**

**For 60Hz: Class I, Zone 2, IIC**  
**Class I, Div.2, Gr. A,B,C,D - T3**  
**Div 2 Inverter Duty (SF1.00)**  
**CT 2:1/VT 1000:1**

PH 3	Hz 60	HP 15
FR 254/6.JP		KW 11
DUTY CONT.		V 575
ALT 1000 m.a.s.l.		A 14.6
INS CL F AT 80K	IP55	SFA 16.8
AMB 40°C	DES B	SF 1.15
ENCL TEFC	CODE H	PF 0.82
		RPM 1770
		NEMA NOM. EFF 92.4%

**For safe area-Inverter duty motor For use on VPWM 1000:1 VT, 4:1 CT**

DE 6309-Z-C3	ODE 6208-Z-C3	MOBIL POLYREX EM	20000h
--------------	---------------	------------------	--------



T1-BLU  
T2-WHT  
T3-ORG  
T4-YEL  
T5-BLK  
T6-GRY

**INTERCHANGE ANY TWO LINE WIRES TO REVERSE THE ROTATION**

**WARNING:** Motor must be grounded in accordance with local and national electrical codes to prevent serious electrical shocks. Disconnect power source before servicing unit.



**AVERTISSEMENT:** Le moteur doit être mis à la terre

conformément aux codes électriques locaux et nationaux afin d'éviter tout choc électrique grave. Déconnectez l'alimentation avant l'entretien de la machine.

