

DATA SHEET



Three Phase Induction Motor - Squirrel Cage

Customer :					
Product line		: NEMA Premium Efficiency Three-Phase		Product code : 12812066	
				Catalog # : 01518ET3H254T-S	
Frame	: 254/6T		Locked rotor time	: 34s (cold) 19s (hot)	
Output	: 15 HP (11 kW)		Temperature rise	: 80 K	
Poles	: 4		Duty cycle	: Cont.(S1)	
Frequency	: 60 Hz		Ambient temperature	: -20°C to +40°C	
Rated voltage	: 575 V		Altitude	: 1000 m.a.s.l.	
Rated current	: 14.6 A		Protection degree	: IP55	
L. R. Amperes	: 94.6 A		Cooling method	: IC411 - TEFC	
LRC	: 6.5x(Code G)		Mounting	: F-1	
No load current	: 6.92 A		Rotation ¹	: Both (CW and CCW)	
Rated speed	: 1770 rpm		Noise level ²	: 68.0 dB(A)	
Slip	: 1.67 %		Starting method	: Direct On Line	
Rated torque	: 44.5 ft.lb		Approx. weight ³	: 210 lb	
Locked rotor torque	: 250 %				
Breakdown torque	: 300 %				
Insulation class	: F				
Service factor	: 1.15				
Moment of inertia (J)	: 2.15 sq.ft.lb				
Design	: B				
Output	25%	50%	75%	100%	
Efficiency (%)	90.8	91.0	92.4	92.4	
Power Factor	0.39	0.64	0.76	0.82	
Foundation loads					
Max. traction : 535 lb					
Max. compression : 745 lb					
		<u>Drive end</u>	<u>Non drive end</u>		
Bearing type	:	6309 Z C3	6208 Z C3		
Sealing	:	V'Ring	Without Bearing Seal		
Lubrication interval	:	20000 h	20000 h		
Lubricant amount	:	13 g	8 g		
Lubricant type	:	Mobil Polyrex EM			
Notes					
This revision replaces and cancel the previous one, which must be eliminated. (1) Looking the motor from the shaft end. (2) Measured at 1m and with tolerance of +3dB(A). (3) Approximate weight subject to changes after manufacturing process. (4) At 100% of full load.			These are average values based on tests with sinusoidal power supply, subject to the tolerances stipulated in NEMA MG-1.		
Rev.	Changes Summary		Performed	Checked	Date
Performed by					
Checked by				Page	Revision
Date	14/04/2022			1 / 6	

TORQUE AND CURRENT VS SPEED CURVE

Three Phase Induction Motor - Squirrel Cage



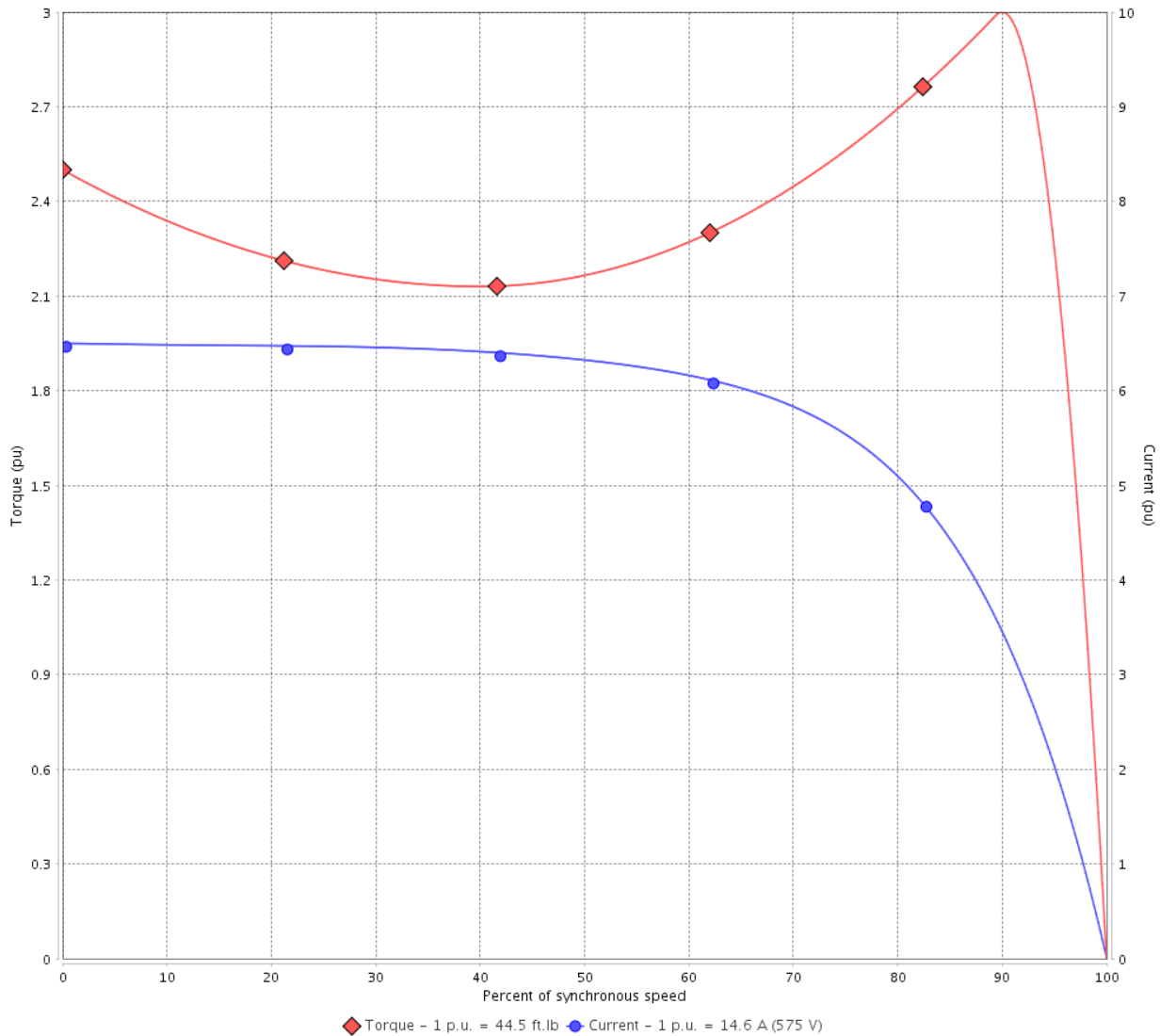
Customer :

Product line : NEMA Premium Efficiency Three-Phase

Product code : 12812066

Catalog # : 01518ET3H254T-S

TORQUE AND CURRENT VS SPEED CURVE



Performance : 575 V 60 Hz 4P

Rated current	: 14.6 A	Moment of inertia (J)	: 2.15 sq.ft.lb
LRC	: 6.5	Duty cycle	: Cont.(S1)
Rated torque	: 44.5 ft.lb	Insulation class	: F
Locked rotor torque	: 250 %	Service factor	: 1.15
Breakdown torque	: 300 %	Temperature rise	: 80 K
Rated speed	: 1770 rpm	Design	: B

Locked rotor time : 34s (cold) 19s (hot)

Rev.	Changes Summary	Performed	Checked	Date
Performed by			Page 2 / 6	Revision
Checked by				
Date	14/04/2022			

LOAD PERFORMANCE CURVE

Three Phase Induction Motor - Squirrel Cage

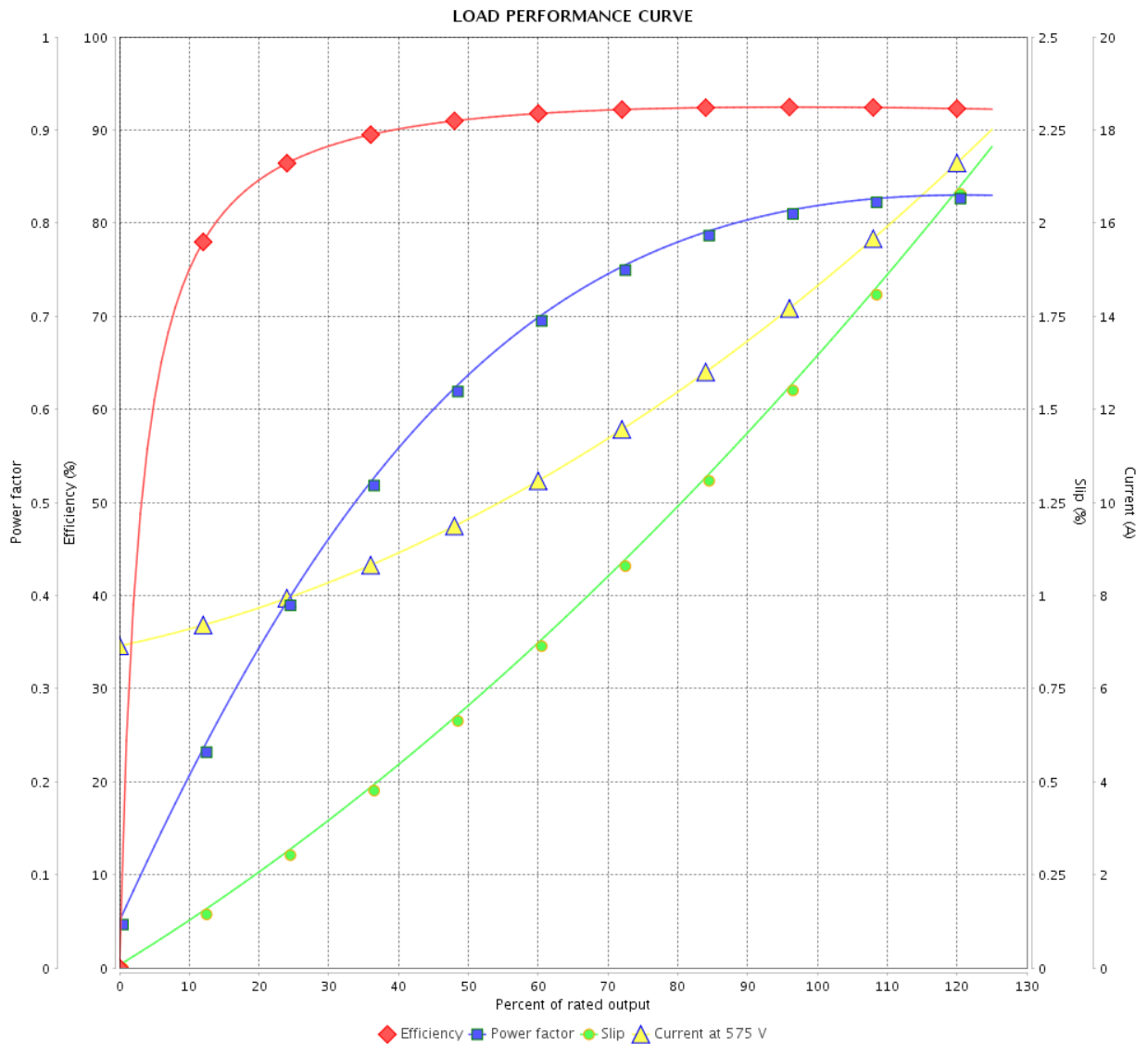


Customer :

Product line : NEMA Premium Efficiency Three-Phase

Product code : 12812066

Catalog # : 01518ET3H254T-S



Performance : 575 V 60 Hz 4P

Rated current : 14.6 A
 LRC : 6.5
 Rated torque : 44.5 ft.lb
 Locked rotor torque : 250 %
 Breakdown torque : 300 %
 Rated speed : 1770 rpm

Moment of inertia (J) : 2.15 sq.ft.lb
 Duty cycle : Cont.(S1)
 Insulation class : F
 Service factor : 1.15
 Temperature rise : 80 K
 Design : B

Rev.	Changes Summary	Performed	Checked	Date
Performed by			Page	Revision
Checked by				
Date				
			3 / 6	

THERMAL LIMIT CURVE



Three Phase Induction Motor - Squirrel Cage

Customer :

Product line : NEMA Premium Efficiency Three-Phase
Product code : 12812066
Catalog # : 01518ET3H254T-S

Performance : 575 V 60 Hz 4P

Rated current	: 14.6 A	Moment of inertia (J)	: 2.15 sq.ft.lb
LRC	: 6.5	Duty cycle	: Cont.(S1)
Rated torque	: 44.5 ft.lb	Insulation class	: F
Locked rotor torque	: 250 %	Service factor	: 1.15
Breakdown torque	: 300 %	Temperature rise	: 80 K
Rated speed	: 1770 rpm	Design	: B

Heating constant

Cooling constant

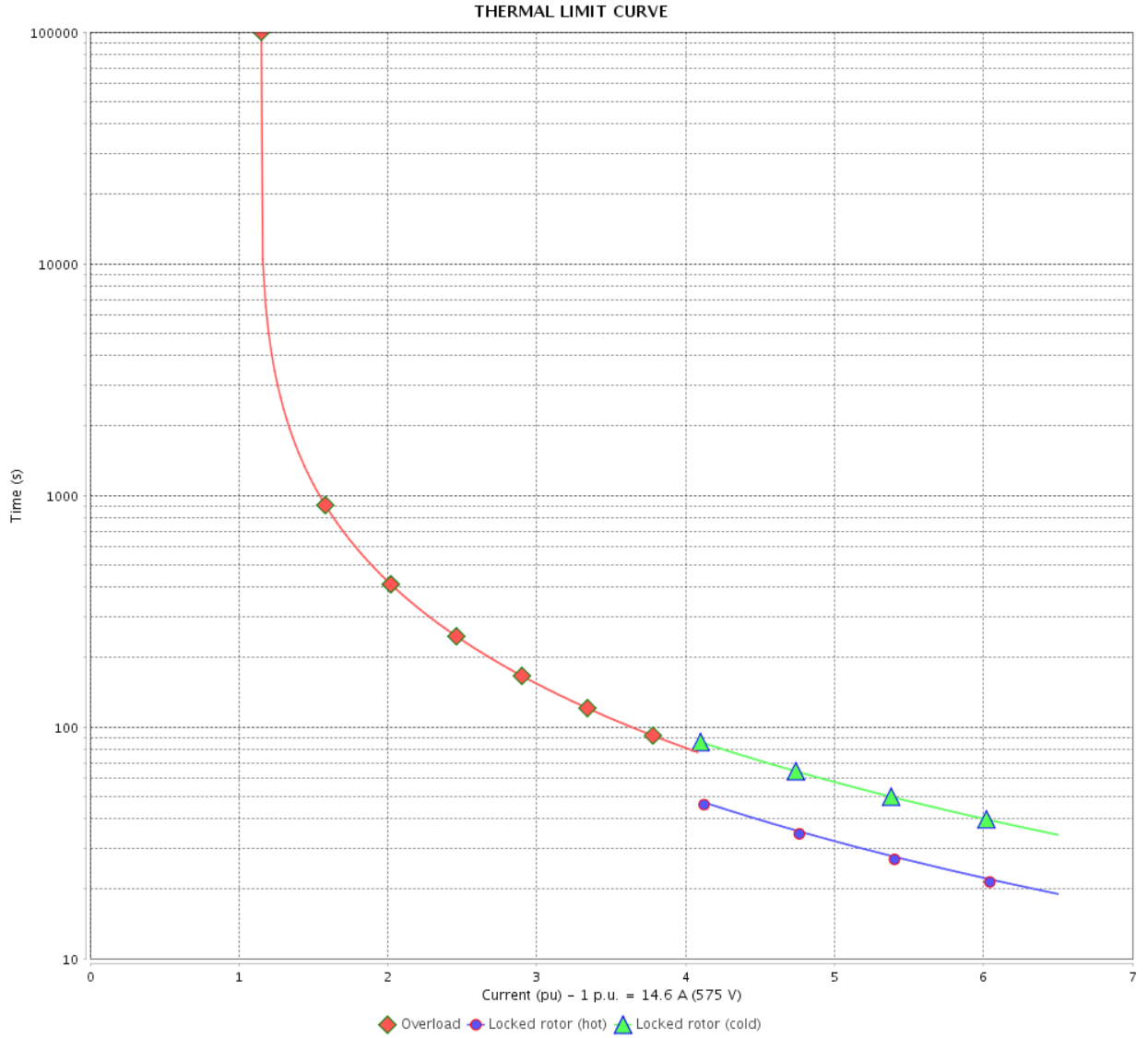
Rev.	Changes Summary	Performed	Checked	Date
Performed by				
Checked by			Page	Revision
Date	14/04/2022		4 / 6	

THERMAL LIMIT CURVE

Three Phase Induction Motor - Squirrel Cage



Customer : _____



Rev.	Changes Summary	Performed	Checked	Date
Performed by		Page 5 / 6 Revision		
Checked by				
Date				

VFD OPERATION CURVE

Three Phase Induction Motor - Squirrel Cage



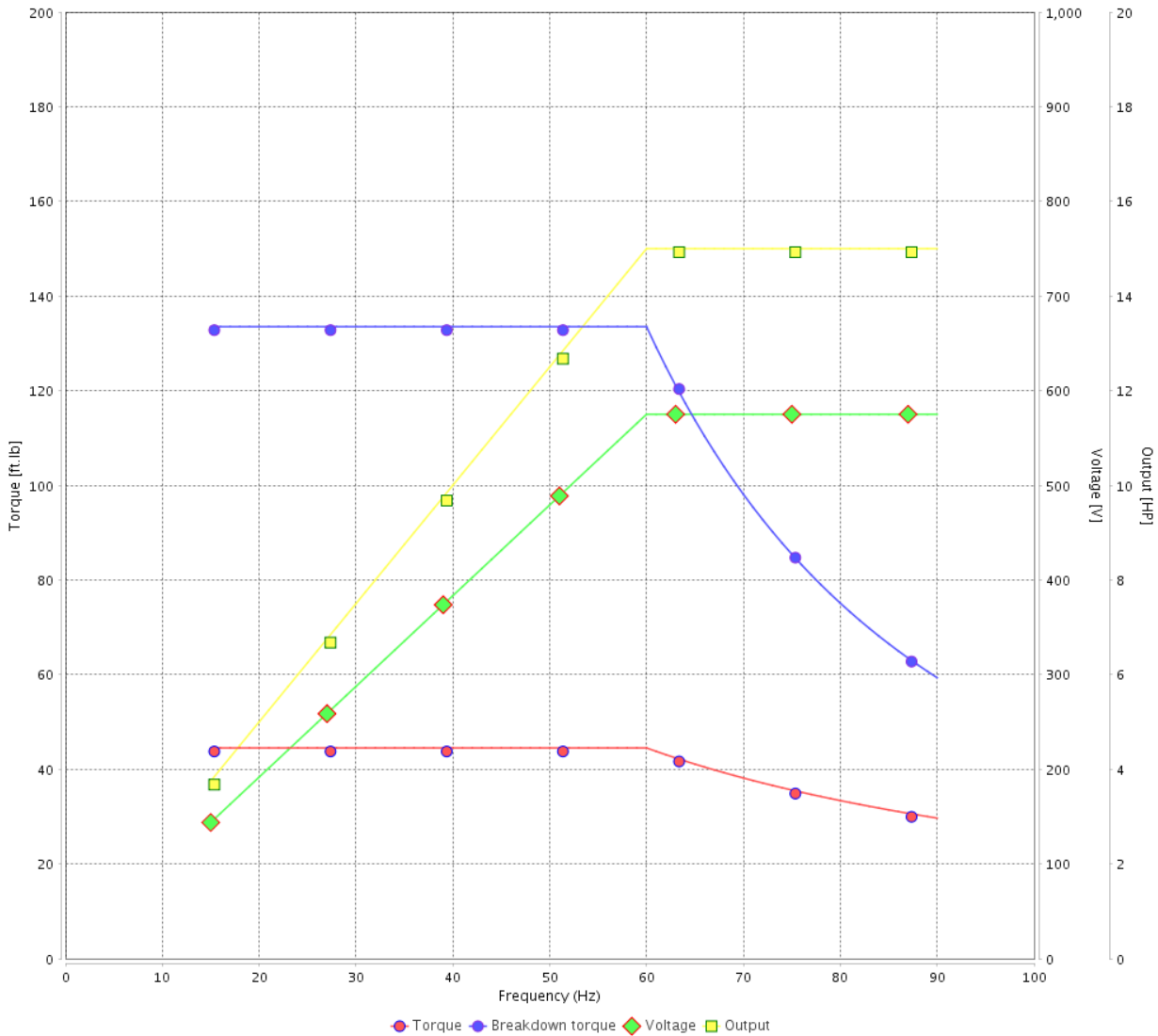
Customer : _____

Product line : NEMA Premium Efficiency Three-Phase

Product code : 12812066

Catalog # : 01518ET3H254T-S

VFD OPERATION CURVE



Performance : 575 V 60 Hz 4P

Rated current : 14.6 A
 LRC : 6.5
 Rated torque : 44.5 ft.lb
 Locked rotor torque : 250 %
 Breakdown torque : 300 %
 Rated speed : 1770 rpm

Moment of inertia (J) : 2.15 sq.ft.lb
 Duty cycle : Cont.(S1)
 Insulation class : F
 Service factor : 1.15
 Temperature rise : 80 K
 Design : B

Rev.	Changes Summary	Performed	Checked	Date
Performed by			Page 6 / 6	Revision
Checked by				
Date	14/04/2022			

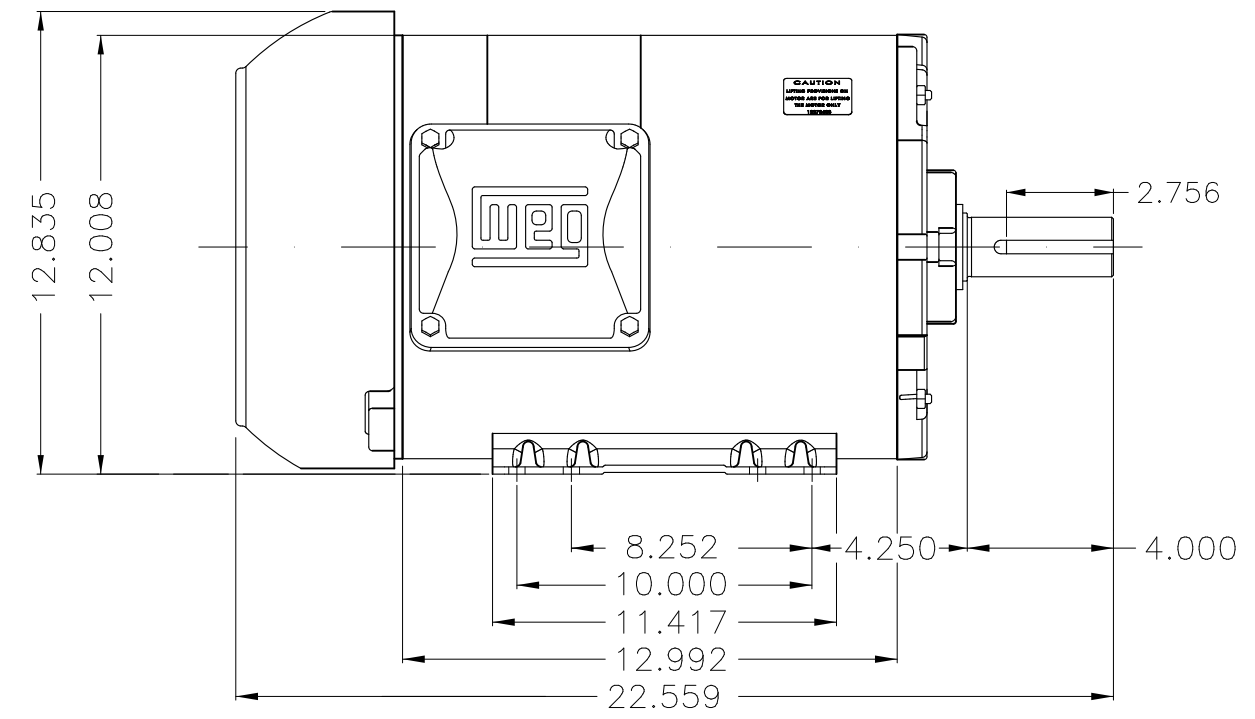
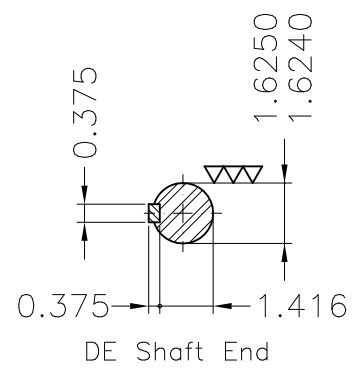
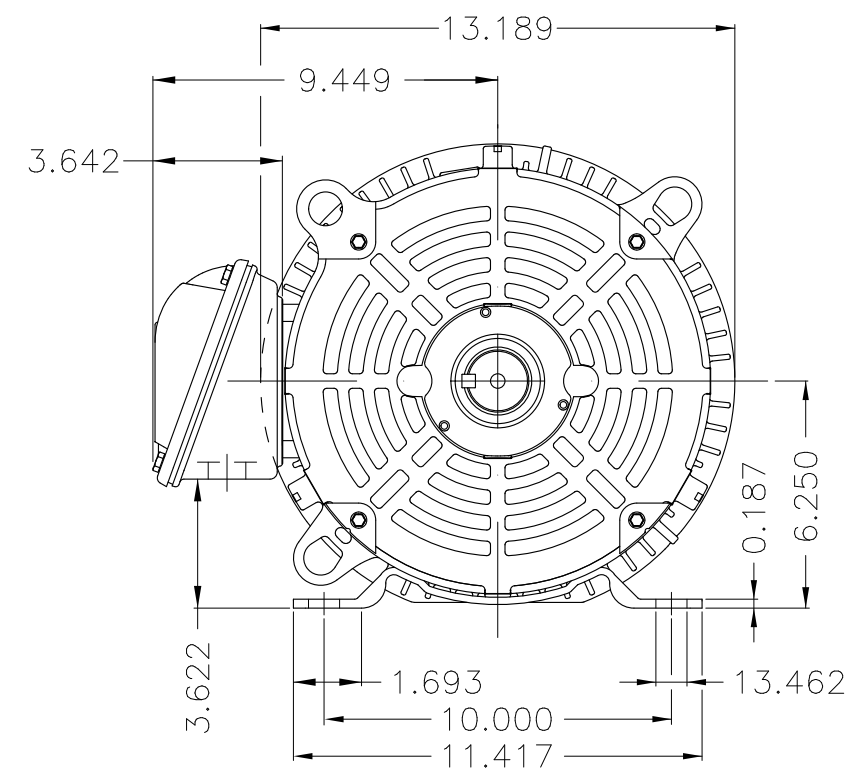
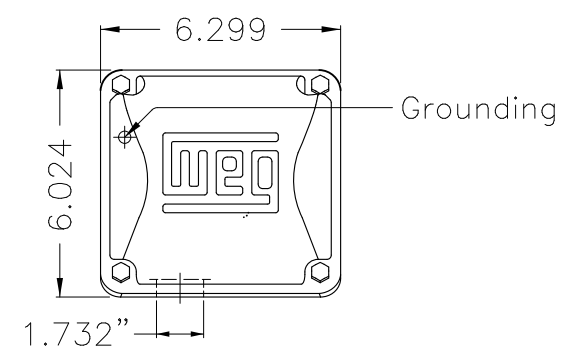
A

B

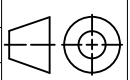
C

D

E



Color Munsell N 1 matte black
 Painting plan 207N
 Mounting F-1/B3R(D)

ECM	LOC	SUMMARY OF MODIFICATIONS	EXECUTED	CHECKED	RELEASED	DATE	VER
EXECUTED	PIRWBUSER	 THREE PH. MOTOR ROLLED STEEL PREM. EFF. FRAME 254/6T IP55 TEFC					
CHECKED							
RELEASED							
REL DT.	WMO	Jaragua do Sul	Product Engineering	SHEET	1 / 1		

15 HP 04 Poles 60 Hz

A

PREVIEW
WDD





NEMA
Premium



MADE IN MEXICO

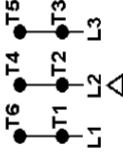
MAT: 12812066 CC029A
W01.TE0IC0X0N
MODEL 01518ET3H254T-S
16MAR2022 S/N:

For 60Hz: Class I, Zone 2, IIC
Class I, Div.2, Gr. A,B,C,D - T3
Div 2 Inverter Duty (SF1.00)
CT 2:1/VT 1000:1

PH 3	Hz 60	HP 15
FR 254/6T		KW 11
DUTY CONT.		V 575
ALT 1000 m.a.s.l.		A 14.6
INS CL F AT 80K	IP55	SFA 16.8
AMB 40°C	DES B	SF 1.15
ENCL TEFC	CODE H	PF 0.82
		RPM 1770
		NEMA NOM. EFF 92.4%

For safe area-Inverter duty motor For use on VPWM 1000:1 VT, 4:1 CT

DE 6309-Z-C3	ODE 6208-Z-C3	MOBIL POLYREX EM	20000h
--------------	---------------	------------------	--------



T1-BLU
T2-WHT
T3-ORG
T4-YEL
T5-BLK
T6-GRY

INTERCHANGE ANY TWO LINE WIRES TO REVERSE THE ROTATION

WARNING: Motor must be grounded in accordance with local and national electrical codes to prevent serious electrical shocks. Disconnect power source before servicing unit.



AVERTISSEMENT: Le moteur doit être mis à la terre

conformément aux codes électriques locaux et nationaux afin d'éviter tout choc électrique grave. Déconnectez l'alimentation avant l'entretien de la machine.

