

DATA SHEET



Three Phase Induction Motor - Squirrel Cage

Customer :				
Product line	: JM Pump NEMA Premium Efficiency Three-Phase	Product code :	12687687	
		Catalog # :	01518OT3E254JM-SG	
Frame	: 254/6JM	Cooling method	: IC01 - ODP	
Insulation class	: F	Mounting	: F-1	
Duty cycle	: Cont.(S1)	Rotation ¹	: Both (CW and CCW)	
Ambient temperature	: -20°C to +40°C	Starting method	: Direct On Line	
Altitude	: 1000 m.a.s.l.	Approx. weight ²	: 203 lb	
Design	: B	Moment of inertia (J)	: 1.82 sq.ft.lb	
Output [HP]	15	15	15	
Poles	4	4	4	
Frequency [Hz]	60	50	50	
Rated voltage [V]	230/460	190/380	220/415	
Rated current [A]	37.2/18.6	43.8/21.9	40.0/21.2	
L. R. Amperes [A]	249/125	237/118	236/125	
LRC [A]	6.7x(Code H)	5.4x(Code F)	5.9x(Code G)	
No load current [A]	19.0/9.50	17.3/8.67	18.3/9.68	
Rated speed [RPM]	1775	1465	1470	
Slip [%]	1.39	2.33	2.00	
Rated torque [ft.lb]	44.4	53.8	53.6	
Locked rotor torque [%]	240	170	200	
Breakdown torque [%]	300	220	250	
Service factor	1.15	1.15	1.15	
Temperature rise	80 K	80 K	80 K	
Locked rotor time	30s (cold) 17s (hot)	0s (cold) 0s (hot)	0s (cold) 0s (hot)	
Noise level ²	64.0 dB(A)	62.0 dB(A)	62.0 dB(A)	
Efficiency (%)	25%	91.0	91.4	
	50%	91.7	90.8	
	75%	92.4	91.1	
	100%	93.0	90.2	
Power Factor	25%	0.36	0.40	
	50%	0.62	0.66	
	75%	0.73	0.78	
	100%	0.80	0.83	
Bearing type	: <u>Drive end</u> 6309 Z C3 <u>Non drive end</u> 6208 Z C3	Foundation loads		
Sealing	: Without Without Bearing Seal Bearing Seal	Max. traction	: 541 lb	
Lubrication interval	: 20000 h 20000 h	Max. compression	: 744 lb	
Lubricant amount	: 13 g 8 g			
Lubricant type	: Mobil Polyrex EM			
Notes USABLE @208V 41.1A SF 1.00 SFA 41.1A				
This revision replaces and cancel the previous one, which must be eliminated. (1) Looking the motor from the shaft end. (2) Measured at 1m and with tolerance of +3dB(A). (3) Approximate weight subject to changes after manufacturing process. (4) At 100% of full load.		These are average values based on tests with sinusoidal power supply, subject to the tolerances stipulated in NEMA MG-1.		
Rev.	Changes Summary	Performed	Checked	Date
Performed by				
Checked by			Page	Revision
Date	13/04/2022		1 / 16	

TORQUE AND CURRENT VS SPEED CURVE

Three Phase Induction Motor - Squirrel Cage



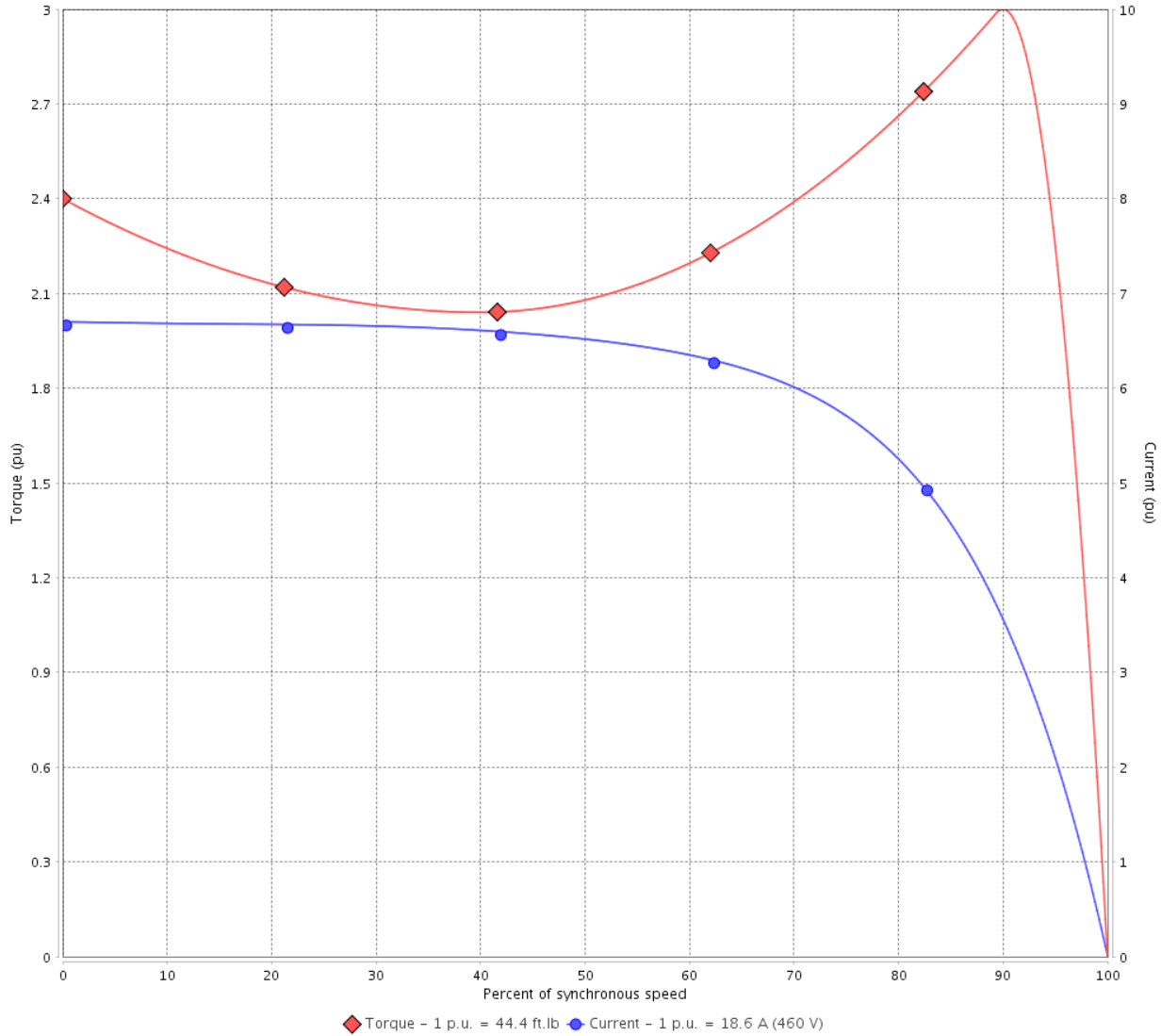
Customer :

Product line : JM Pump NEMA Premium Efficiency Three-Phase

Product code : 12687687

Catalog # : 01518OT3E254JM-SG

TORQUE AND CURRENT VS SPEED CURVE



Performance : 230/460 V 60 Hz 4P

Rated current	: 37.2/18.6 A	Moment of inertia (J)	: 1.82 sq.ft.lb
LRC	: 6.7	Duty cycle	: Cont.(S1)
Rated torque	: 44.4 ft.lb	Insulation class	: F
Locked rotor torque	: 240 %	Service factor	: 1.15
Breakdown torque	: 300 %	Temperature rise	: 80 K
Rated speed	: 1775 rpm	Design	: B

Locked rotor time : 30s (cold) 17s (hot)

Rev.	Changes Summary	Performed	Checked	Date
Performed by			Page 2 / 16	Revision
Checked by				
Date	13/04/2022			

TORQUE AND CURRENT VS SPEED CURVE



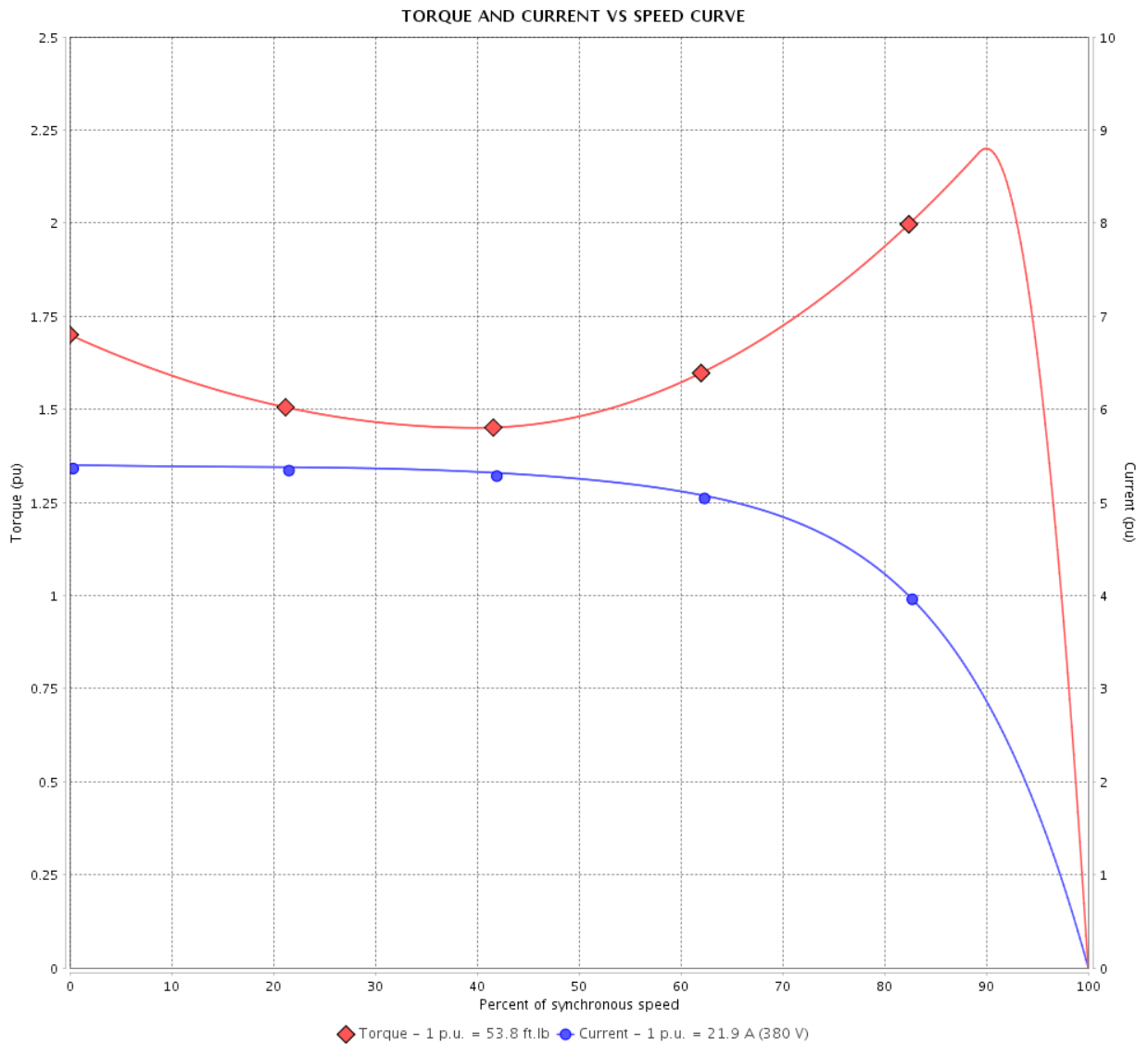
Three Phase Induction Motor - Squirrel Cage

Customer :

Product line : JM Pump NEMA Premium Efficiency Three-Phase

Product code : 12687687

Catalog # : 01518OT3E254JM-SG



Performance : 190/380 V 50 Hz 4P

Rated current : 43.8/21.9 A
 LRC : 5.4
 Rated torque : 53.8 ft.lb
 Locked rotor torque : 170 %
 Breakdown torque : 220 %
 Rated speed : 1465 rpm

Moment of inertia (J) : 1.82 sq.ft.lb
 Duty cycle : Cont.(S1)
 Insulation class : F
 Service factor : 1.15
 Temperature rise : 80 K
 Design : B

Locked rotor time : 0s (cold) 0s (hot)

Rev.	Changes Summary	Performed	Checked	Date
Performed by			Page 3 / 16	Revision
Checked by				
Date	13/04/2022			

TORQUE AND CURRENT VS SPEED CURVE

Three Phase Induction Motor - Squirrel Cage



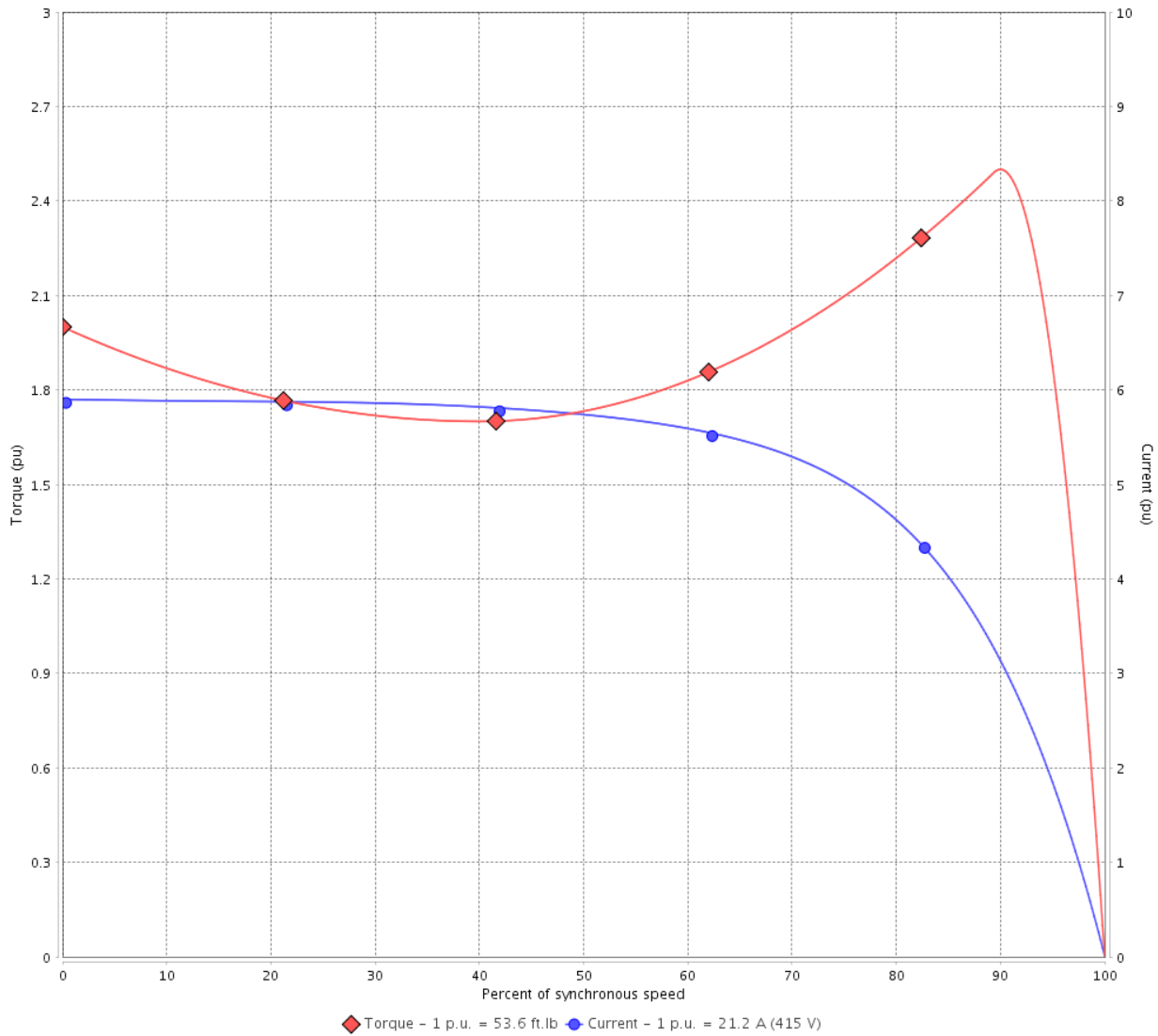
Customer :

Product line : JM Pump NEMA Premium
Efficiency Three-Phase

Product code : 12687687

Catalog # : 01518OT3E254JM-SG

TORQUE AND CURRENT VS SPEED CURVE



Performance : 220/415 V 50 Hz 4P

Rated current	: 40.0/21.2 A	Moment of inertia (J)	: 1.82 sq.ft.lb
LRC	: 5.9	Duty cycle	: Cont.(S1)
Rated torque	: 53.6 ft.lb	Insulation class	: F
Locked rotor torque	: 200 %	Service factor	: 1.15
Breakdown torque	: 250 %	Temperature rise	: 80 K
Rated speed	: 1470 rpm	Design	: B

Locked rotor time : 0s (cold) 0s (hot)

Rev.	Changes Summary	Performed	Checked	Date
Performed by			Page 4 / 16	Revision
Checked by				
Date	13/04/2022			

LOAD PERFORMANCE CURVE

Three Phase Induction Motor - Squirrel Cage

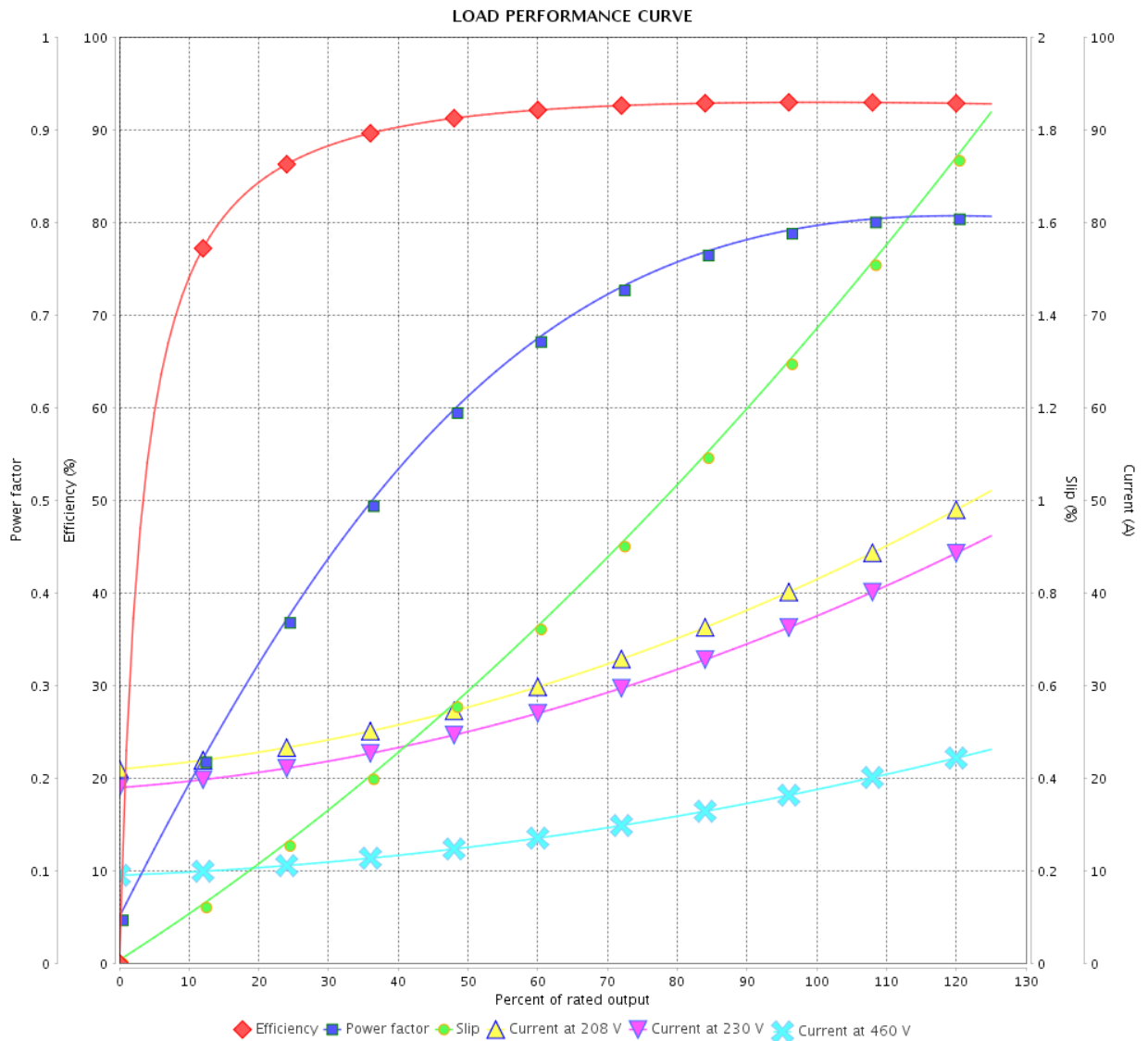


Customer :

Product line : JM Pump NEMA Premium
Efficiency Three-Phase

Product code : 12687687

Catalog # : 01518OT3E254JM-SG



Performance : 230/460 V 60 Hz 4P

Rated current : 37.2/18.6 A
 LRC : 6.7
 Rated torque : 44.4 ft.lb
 Locked rotor torque : 240 %
 Breakdown torque : 300 %
 Rated speed : 1775 rpm

Moment of inertia (J) : 1.82 sq.ft.lb
 Duty cycle : Cont.(S1)
 Insulation class : F
 Service factor : 1.15
 Temperature rise : 80 K
 Design : B

Rev.	Changes Summary	Performed	Checked	Date
Performed by		Page		Revision
Checked by		5 / 16		
Date		13/04/2022		

LOAD PERFORMANCE CURVE

Three Phase Induction Motor - Squirrel Cage

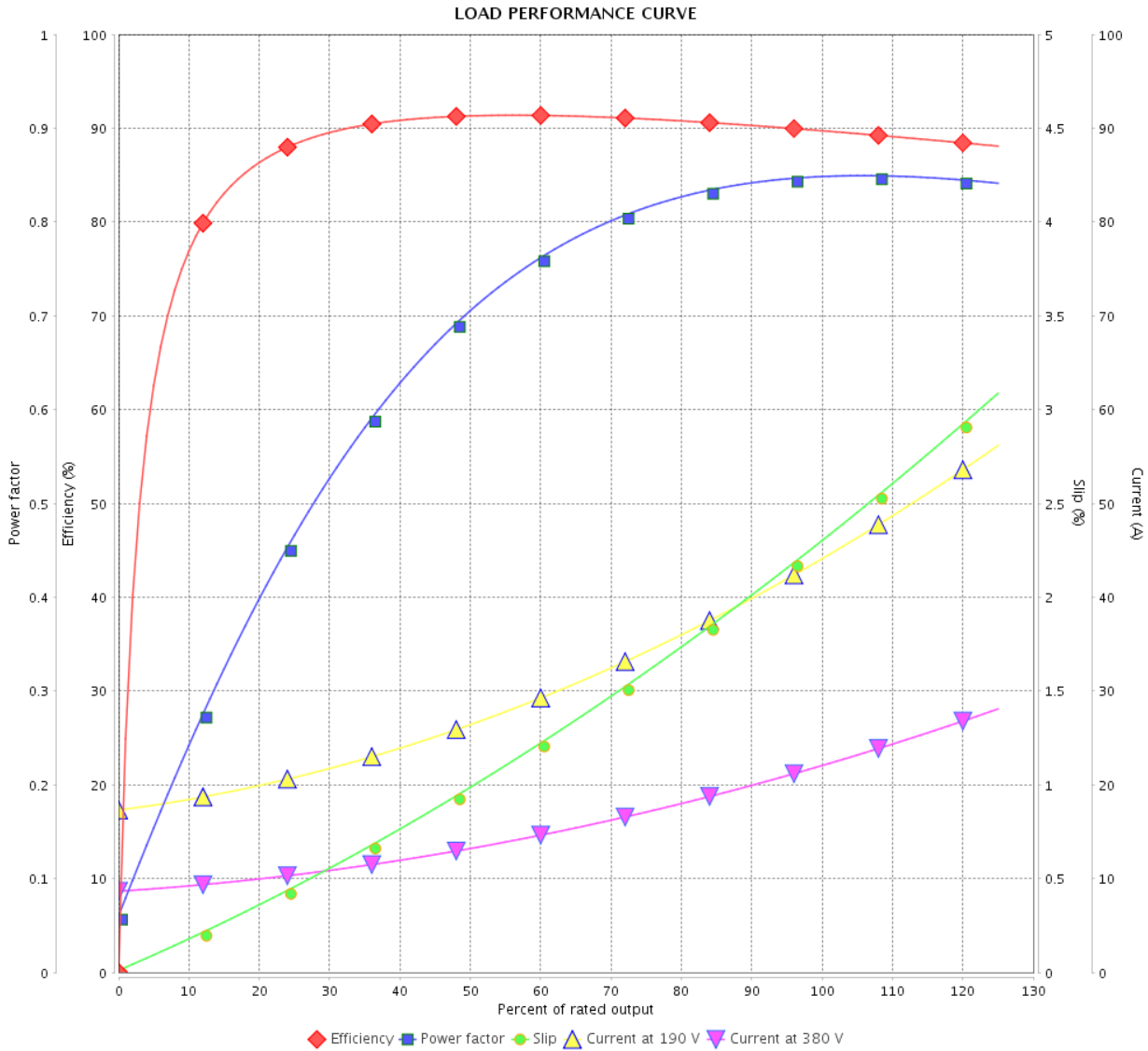


Customer :

Product line : JM Pump NEMA Premium
Efficiency Three-Phase

Product code : 12687687

Catalog # : 01518OT3E254JM-SG



Performance : 190/380 V 50 Hz 4P

Rated current : 43.8/21.9 A
 LRC : 5.4
 Rated torque : 53.8 ft.lb
 Locked rotor torque : 170 %
 Breakdown torque : 220 %
 Rated speed : 1465 rpm

Moment of inertia (J) : 1.82 sq.ft.lb
 Duty cycle : Cont.(S1)
 Insulation class : F
 Service factor : 1.15
 Temperature rise : 80 K
 Design : B

Rev.	Changes Summary	Performed	Checked	Date
Performed by			Page	Revision
Checked by			6 / 16	
Date	13/04/2022			

LOAD PERFORMANCE CURVE

Three Phase Induction Motor - Squirrel Cage

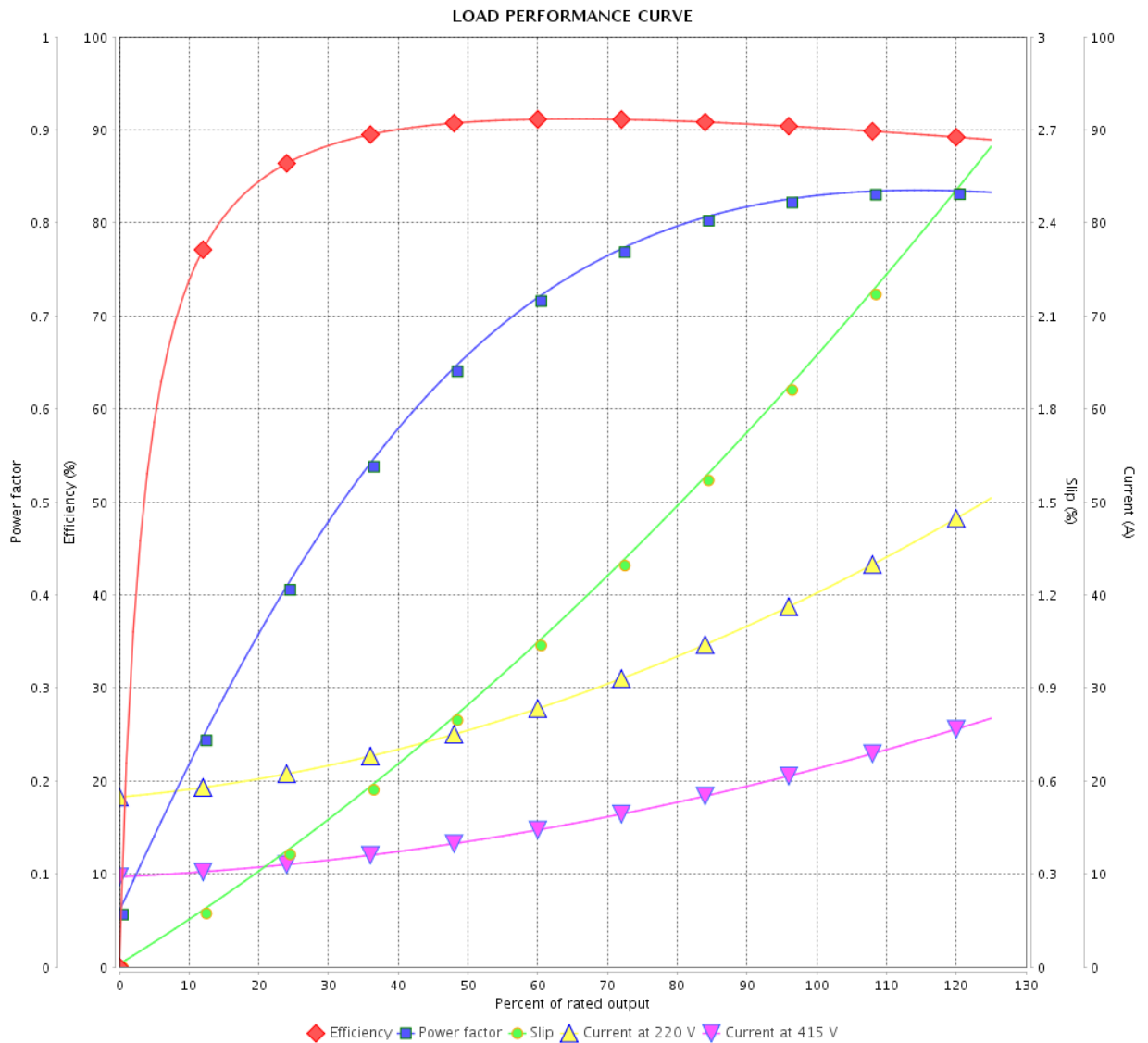


Customer :

Product line : JM Pump NEMA Premium Efficiency Three-Phase

Product code : 12687687

Catalog # : 01518OT3E254JM-SG



Performance : 220/415 V 50 Hz 4P

Rated current : 40.0/21.2 A
 LRC : 5.9
 Rated torque : 53.6 ft.lb
 Locked rotor torque : 200 %
 Breakdown torque : 250 %
 Rated speed : 1470 rpm

Moment of inertia (J) : 1.82 sq.ft.lb
 Duty cycle : Cont.(S1)
 Insulation class : F
 Service factor : 1.15
 Temperature rise : 80 K
 Design : B

Rev.	Changes Summary	Performed	Checked	Date
Performed by		Page		Revision
Checked by		7 / 16		
Date		13/04/2022		

THERMAL LIMIT CURVE



Three Phase Induction Motor - Squirrel Cage

Customer :

Product line : JM Pump NEMA Premium
Efficiency Three-Phase

Product code : 12687687

Catalog # : 01518OT3E254JM-SG

Performance : 230/460 V 60 Hz 4P

Rated current : 37.2/18.6 A
LRC : 6.7
Rated torque : 44.4 ft.lb
Locked rotor torque : 240 %
Breakdown torque : 300 %
Rated speed : 1775 rpm

Moment of inertia (J) : 1.82 sq.ft.lb
Duty cycle : Cont.(S1)
Insulation class : F
Service factor : 1.15
Temperature rise : 80 K
Design : B

Heating constant

Cooling constant

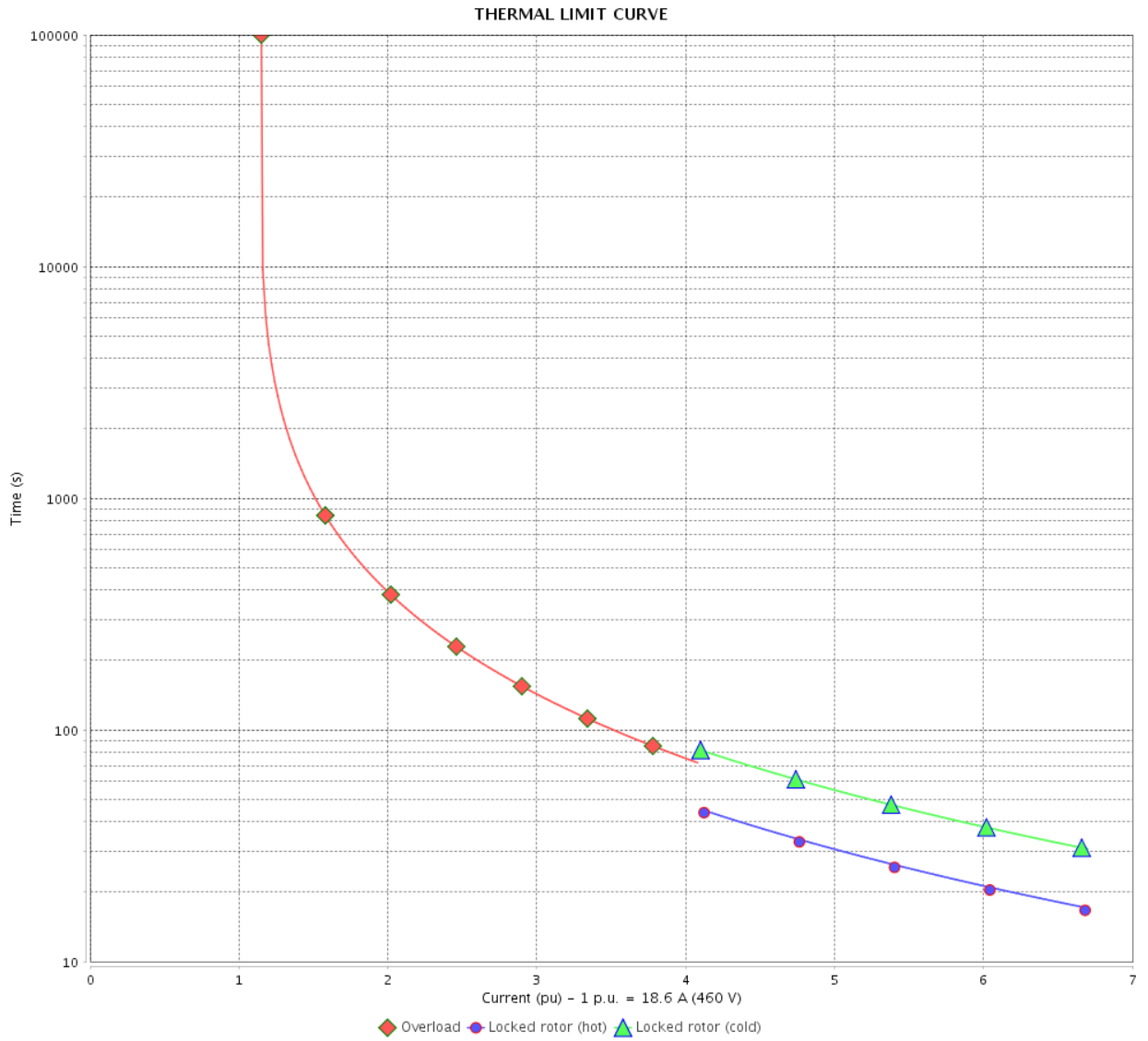
Rev.	Changes Summary	Performed	Checked	Date
Performed by				
Checked by			Page	Revision
Date	13/04/2022		8 / 16	

THERMAL LIMIT CURVE

Three Phase Induction Motor - Squirrel Cage



Customer : _____



Rev.	Changes Summary	Performed	Checked	Date
Performed by		Page Revision 9 / 16		
Checked by				
Date				

THERMAL LIMIT CURVE



Three Phase Induction Motor - Squirrel Cage

Customer :

Product line : JM Pump NEMA Premium
Efficiency Three-Phase

Product code : 12687687

Catalog # : 01518OT3E254JM-SG

Performance : 190/380 V 50 Hz 4P

Rated current : 43.8/21.9 A
LRC : 5.4
Rated torque : 53.8 ft.lb
Locked rotor torque : 170 %
Breakdown torque : 220 %
Rated speed : 1465 rpm

Moment of inertia (J) : 1.82 sq.ft.lb
Duty cycle : Cont.(S1)
Insulation class : F
Service factor : 1.15
Temperature rise : 80 K
Design : B

Heating constant

Cooling constant

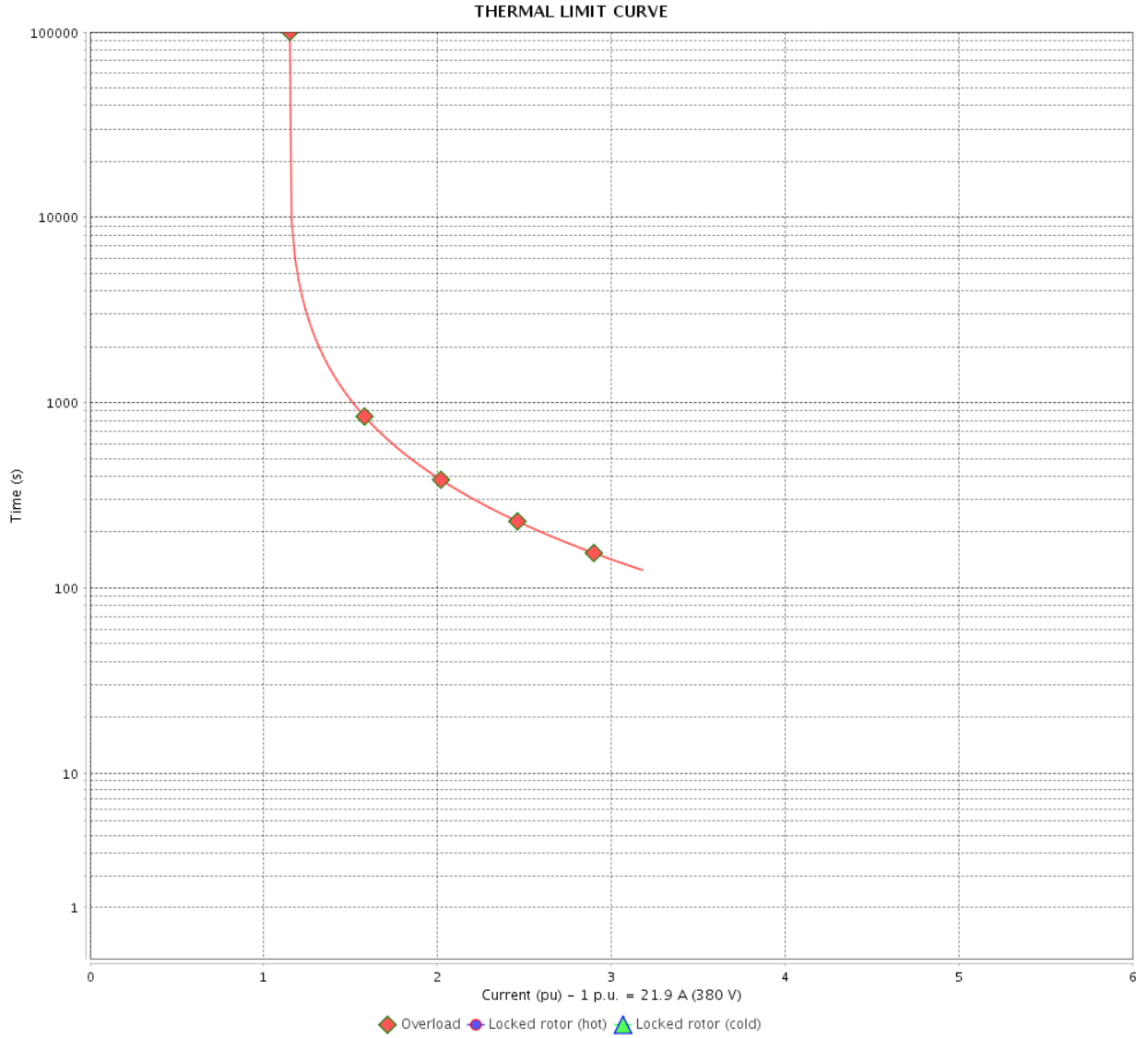
Rev.	Changes Summary	Performed	Checked	Date
Performed by			Page 10 / 16	Revision
Checked by				
Date	13/04/2022			

THERMAL LIMIT CURVE

Three Phase Induction Motor - Squirrel Cage



Customer : _____



Rev.	Changes Summary	Performed	Checked	Date
Performed by		Page		Revision
Checked by		11 / 16		
Date	13/04/2022			

THERMAL LIMIT CURVE



Three Phase Induction Motor - Squirrel Cage

Customer :

Product line : JM Pump NEMA Premium
Efficiency Three-Phase

Product code : 12687687

Catalog # : 01518OT3E254JM-SG

Performance : 220/415 V 50 Hz 4P

Rated current : 40.0/21.2 A
LRC : 5.9
Rated torque : 53.6 ft.lb
Locked rotor torque : 200 %
Breakdown torque : 250 %
Rated speed : 1470 rpm

Moment of inertia (J) : 1.82 sq.ft.lb
Duty cycle : Cont.(S1)
Insulation class : F
Service factor : 1.15
Temperature rise : 80 K
Design : B

Heating constant

Cooling constant

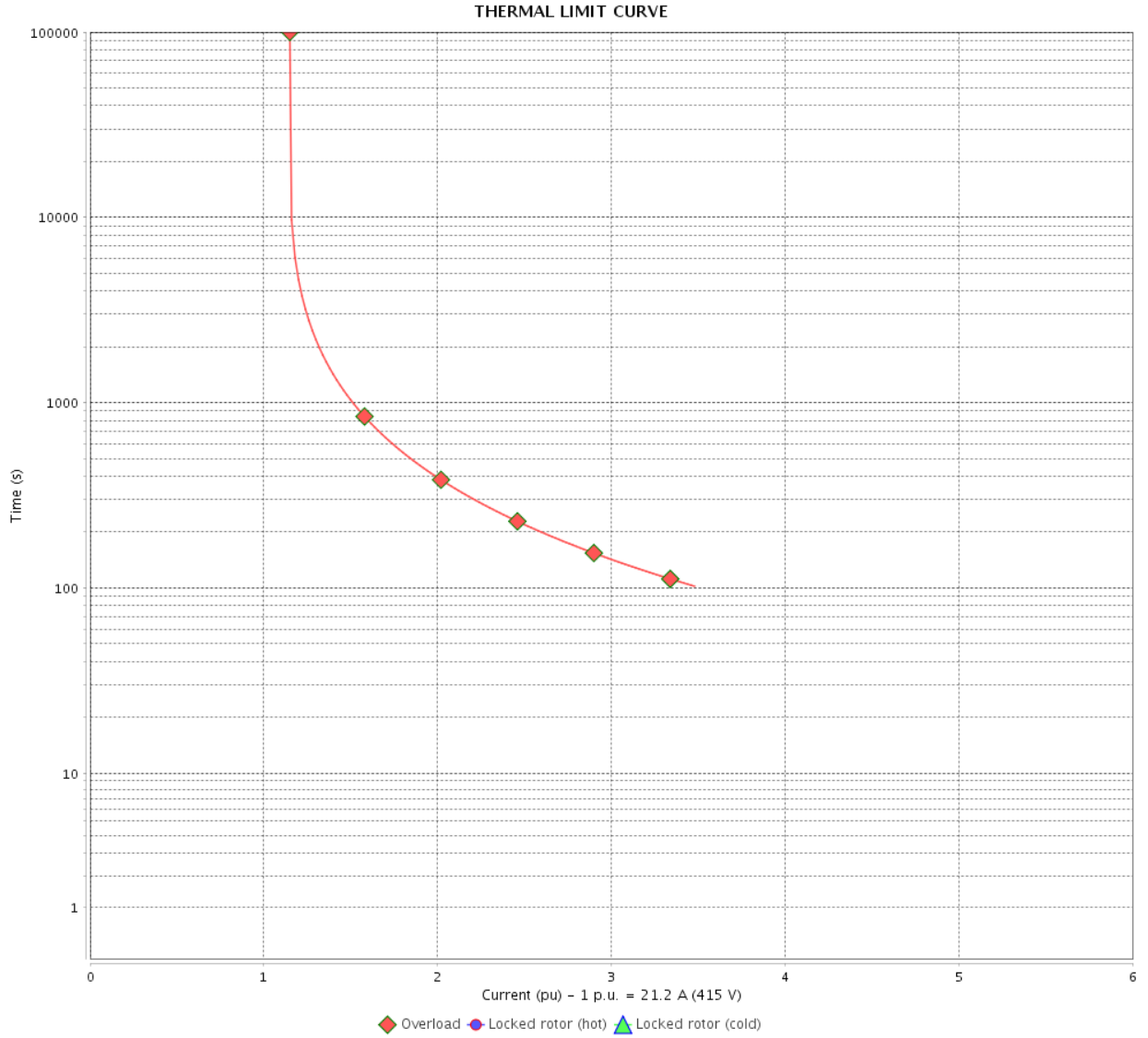
Rev.	Changes Summary	Performed	Checked	Date
Performed by				
Checked by			Page	Revision
Date	13/04/2022		12 / 16	

THERMAL LIMIT CURVE

Three Phase Induction Motor - Squirrel Cage



Customer : _____



Rev.	Changes Summary	Performed	Checked	Date
Performed by		Page Revision 13 / 16		
Checked by				
Date				

VFD OPERATION CURVE

Three Phase Induction Motor - Squirrel Cage



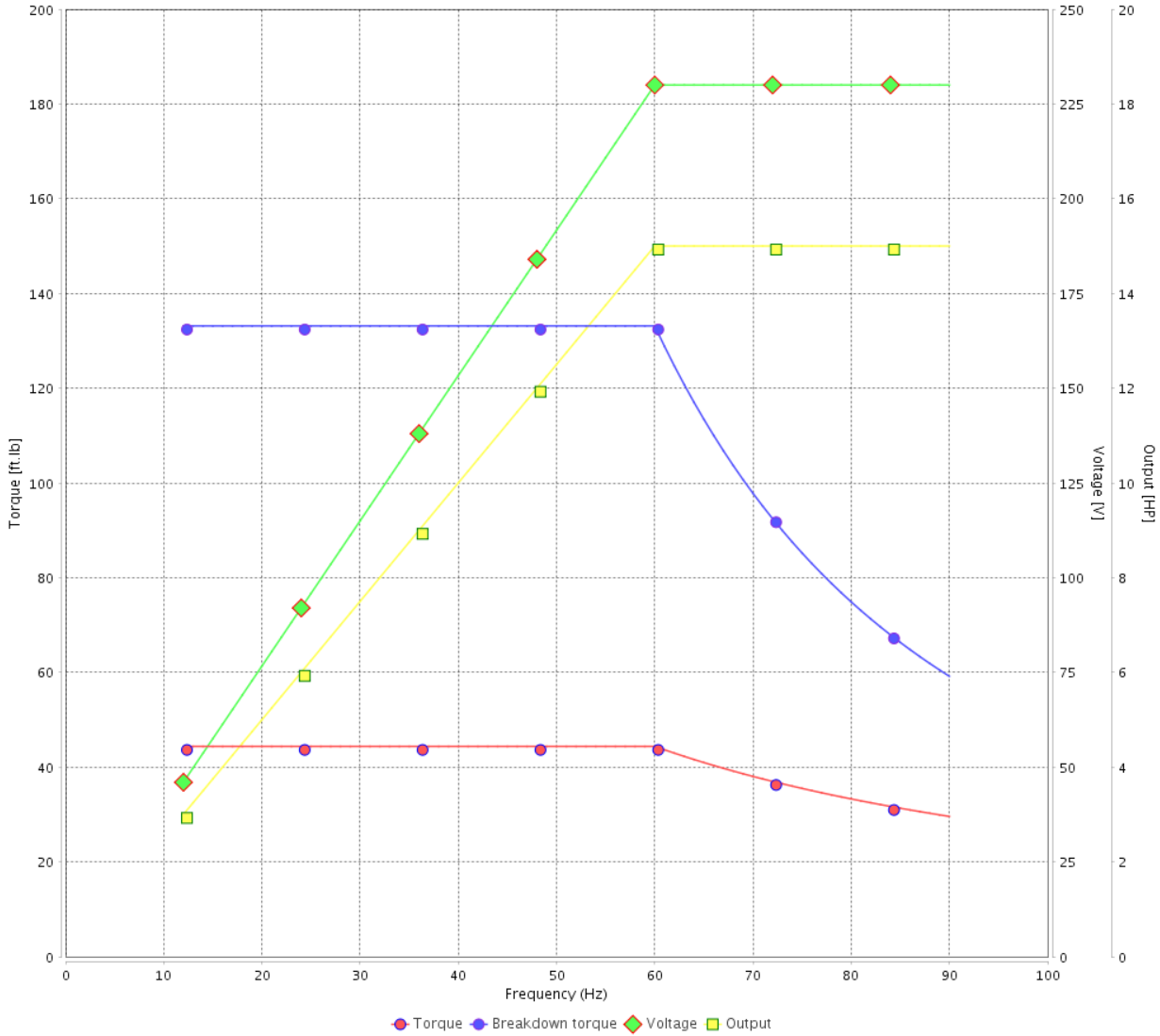
Customer :

Product line : JM Pump NEMA Premium Efficiency Three-Phase

Product code : 12687687

Catalog # : 01518OT3E254JM-SG

VFD OPERATION CURVE



Performance : 230/460 V 60 Hz 4P

Rated current : 37.2/18.6 A
 LRC : 6.7
 Rated torque : 44.4 ft.lb
 Locked rotor torque : 240 %
 Breakdown torque : 300 %
 Rated speed : 1775 rpm

Moment of inertia (J) : 1.82 sq.ft.lb
 Duty cycle : Cont.(S1)
 Insulation class : F
 Service factor : 1.15
 Temperature rise : 80 K
 Design : B

Rev.	Changes Summary	Performed	Checked	Date
Performed by			Page 14 / 16	Revision
Checked by				
Date	13/04/2022			

VFD OPERATION CURVE

Three Phase Induction Motor - Squirrel Cage

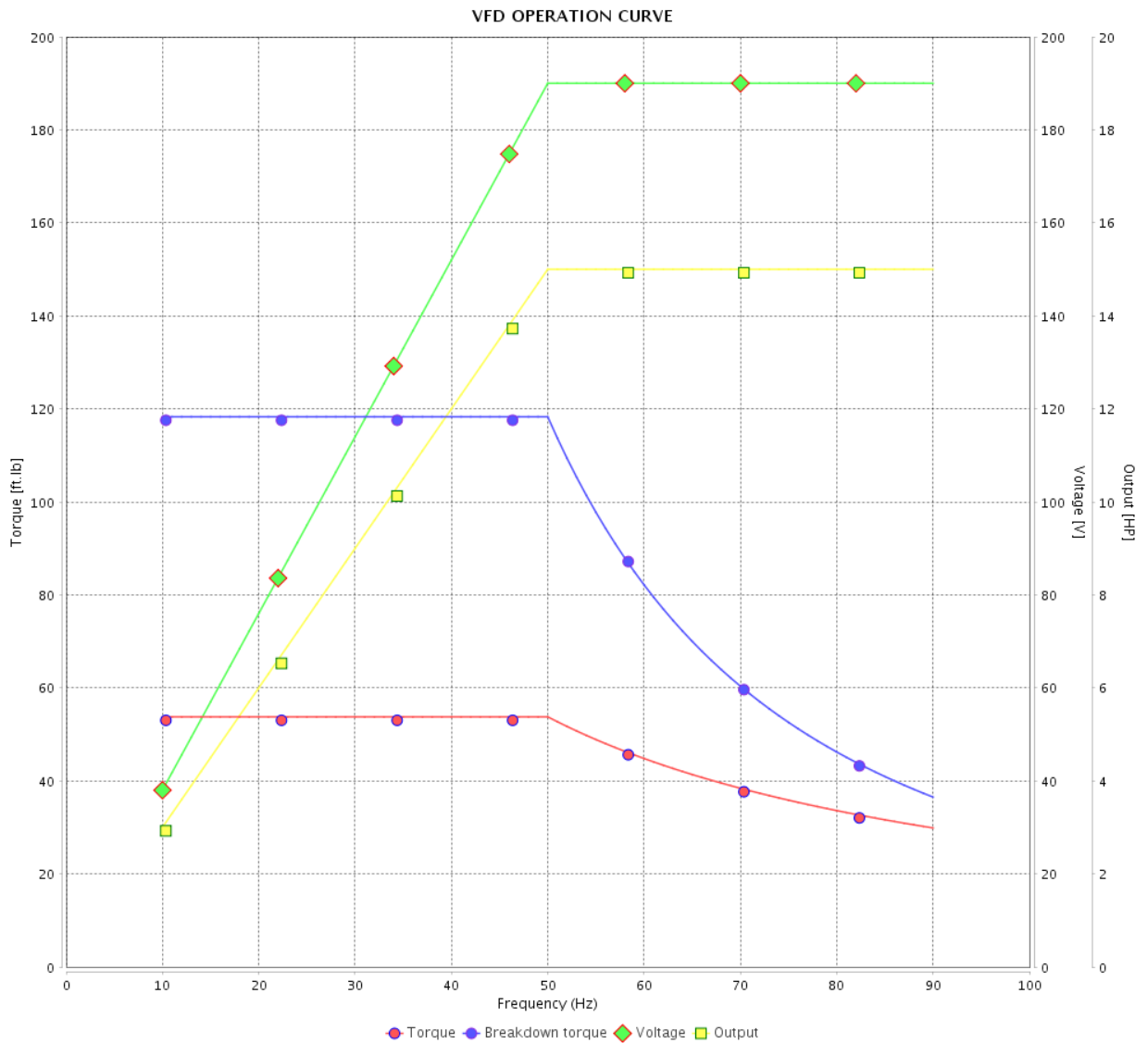


Customer :

Product line : JM Pump NEMA Premium Efficiency Three-Phase

Product code : 12687687

Catalog # : 01518OT3E254JM-SG



Performance : 190/380 V 50 Hz 4P

Rated current : 43.8/21.9 A
 LRC : 5.4
 Rated torque : 53.8 ft.lb
 Locked rotor torque : 170 %
 Breakdown torque : 220 %
 Rated speed : 1465 rpm

Moment of inertia (J) : 1.82 sq.ft.lb
 Duty cycle : Cont.(S1)
 Insulation class : F
 Service factor : 1.15
 Temperature rise : 80 K
 Design : B

Rev.	Changes Summary	Performed	Checked	Date
Performed by		Page		Revision
Checked by		15 / 16		
Date		13/04/2022		

VFD OPERATION CURVE

Three Phase Induction Motor - Squirrel Cage



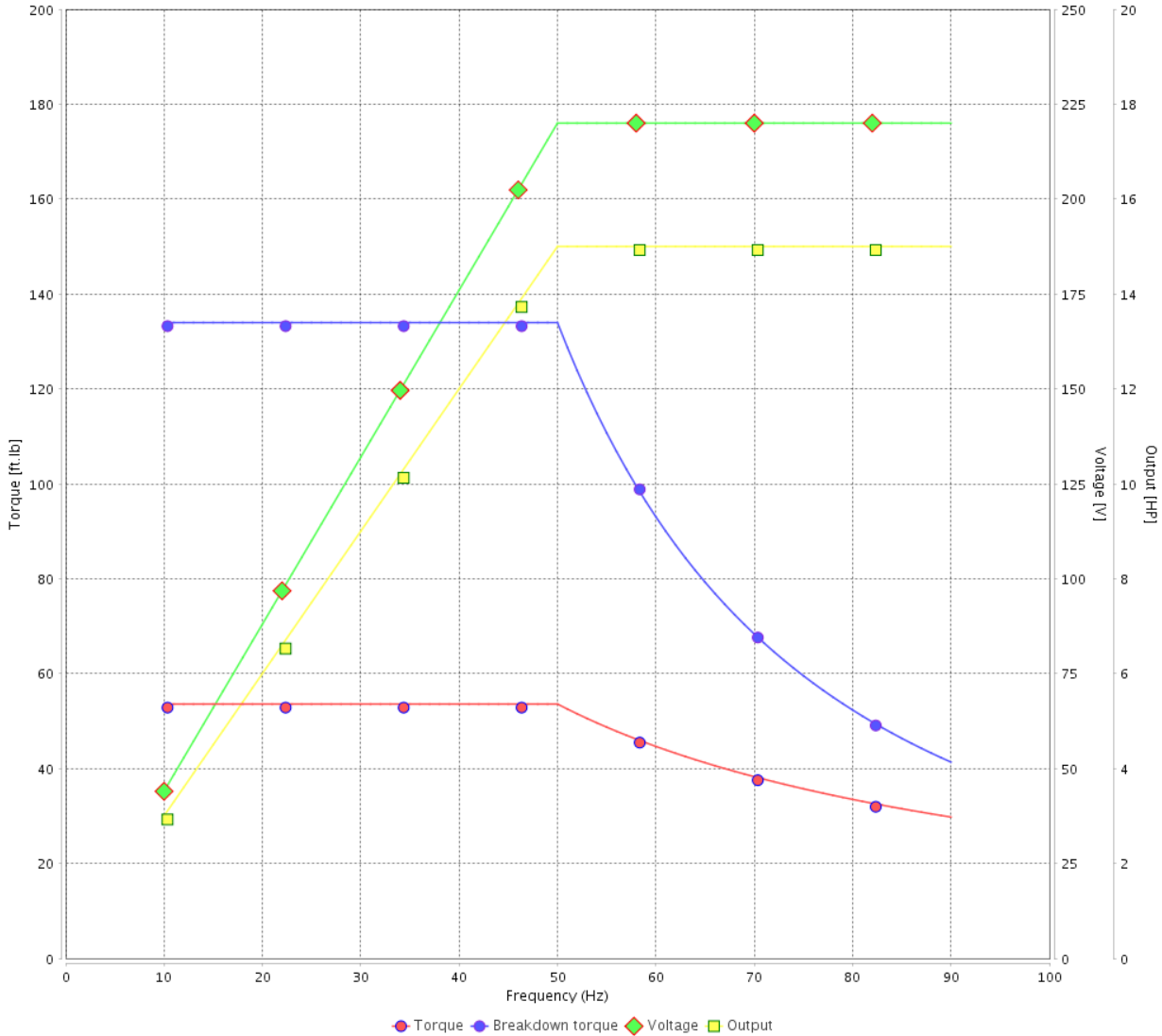
Customer :

Product line : JM Pump NEMA Premium Efficiency Three-Phase

Product code : 12687687

Catalog # : 01518OT3E254JM-SG

VFD OPERATION CURVE



Performance : 220/415 V 50 Hz 4P

Rated current : 40.0/21.2 A
 LRC : 5.9
 Rated torque : 53.6 ft.lb
 Locked rotor torque : 200 %
 Breakdown torque : 250 %
 Rated speed : 1470 rpm

Moment of inertia (J) : 1.82 sq.ft.lb
 Duty cycle : Cont.(S1)
 Insulation class : F
 Service factor : 1.15
 Temperature rise : 80 K
 Design : B

Rev.	Changes Summary	Performed	Checked	Date
Performed by			Page 16 / 16	Revision
Checked by				
Date	13/04/2022			

1 2 3 4 5 6

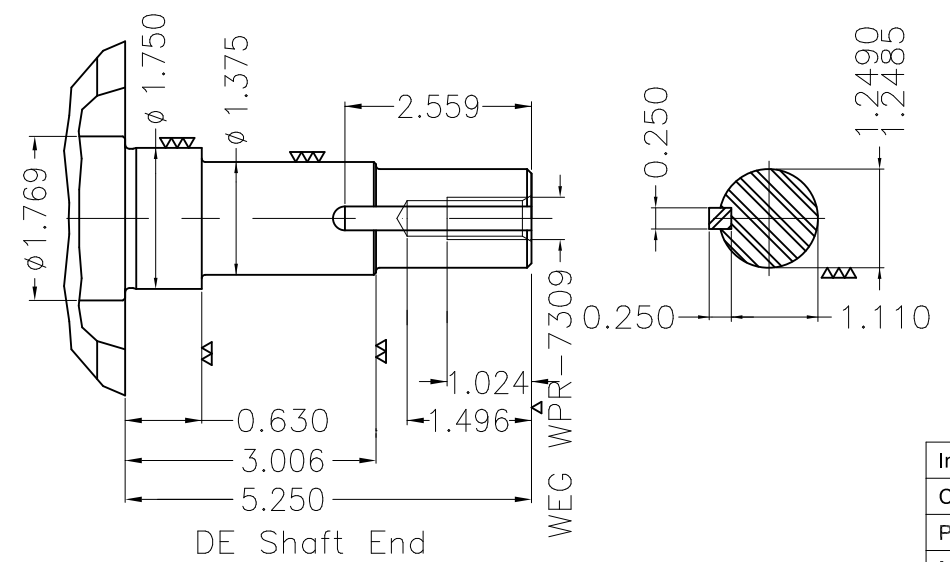
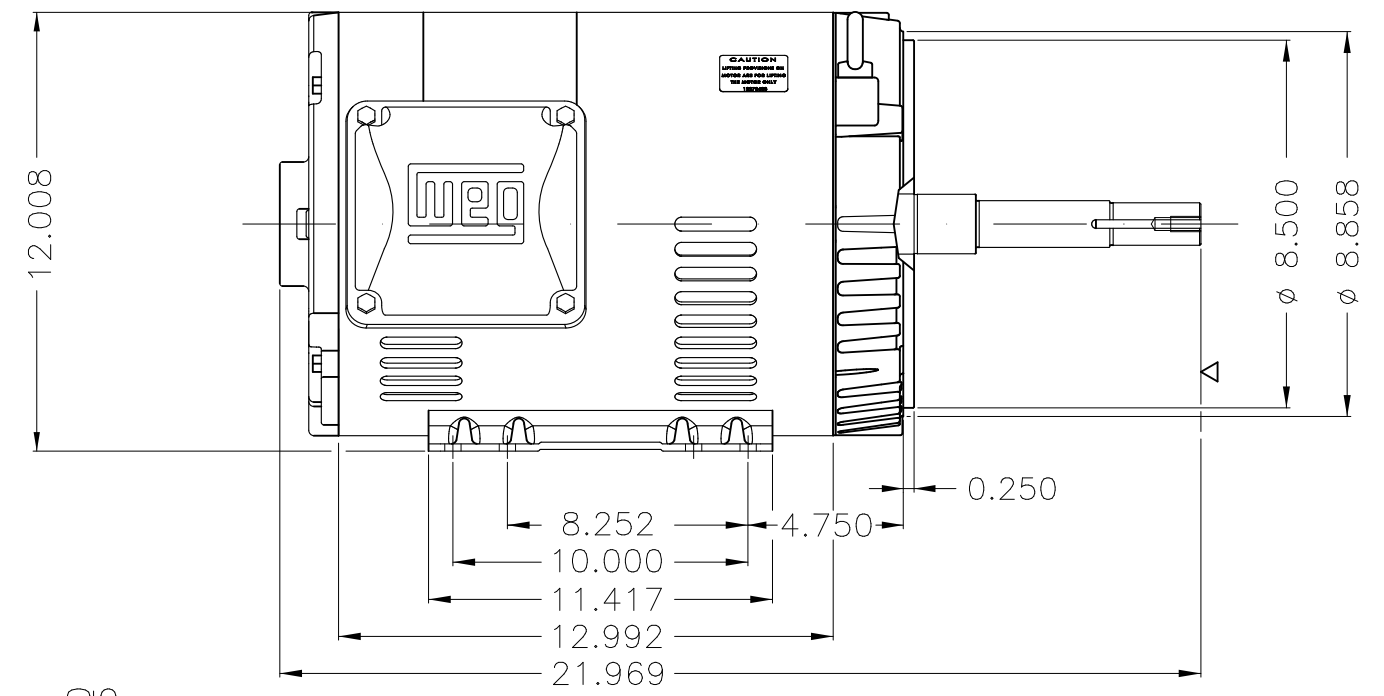
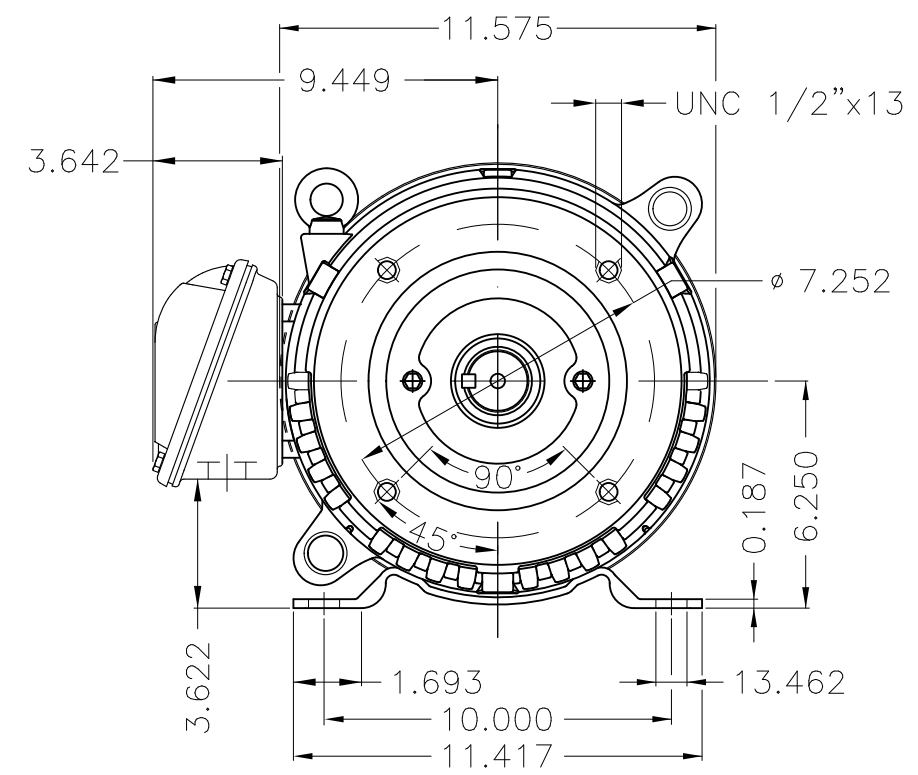
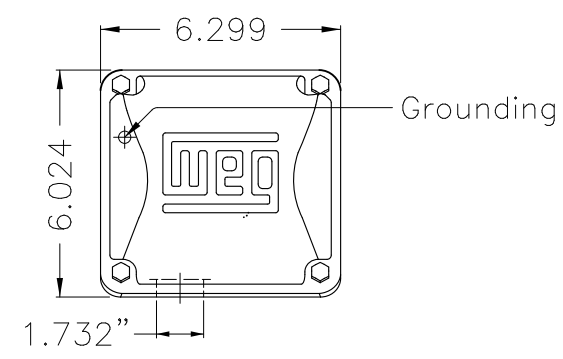
A

B

C

D

E



EUNC 1/2"-13 WEG WPR-7309

Internal AEGIS ground ring on the DE
 Color Munsell N 1 matte black
 Painting plan 207N
 Mounting F-1/B34R(D)

ECM	LOC	SUMMARY OF MODIFICATIONS	EXECUTED	CHECKED	RELEASED	DATE	VER
EXECUTED	PIRBUSER	THREE PH. MOTOR ROLLED STEEL CLOSE COUPLED PUMP JN TYPE PSE 1/2"					
CHECKED		FRAME 254/6JM IP21 ODP					
RELEASED							
REL DT.		WMO Jaragua do Sul	Product Engineering	WDD	SHEET	1 / 1	

15 HP 04 Poles 60 Hz





NEMA
Premium



3PT9



Energy Verified

MADE IN MEXICO

MAT: 12687687 CC029A

W01.T00IC0X0N

MODEL 01518OT3E254JM-SG

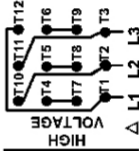
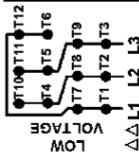
15MAR2022 S/N:

PH 3	Hz 60	HP 15
FR 254/6JM		KW 11
DUTY CONT.		V 230/460
ALT 1000 m.a.s.l.		A 37.2/18.6
INS CL F AT 80K		SFA 42.8/21.4
AMB 40°C	DES B	SF 1.15
ENCL ODP	CODE H	PF 0.80
USABLE @ 208V 41.1A		RPM 1775
SF1.00		NEMA NOM. EFF 93.0%

ALTERNATE RATING: 15HP 50Hz 190-220/380-415V SF1.15
43.8-39.4/21.9-20.9A 1465RPM EFF 89.7% (IE1) IEC 60034-1

Inverter duty motor For 80Hz use on VPWM 1000:1 VT, 5:1 CT

DE 6309-Z-C3	ODE 6208-Z-C3	MOBIL POLYREX EM	20000h
--------------	---------------	------------------	--------



T1-BLU T2-WHT
 T3-ORG T4-YEL
 T5-BLK T6-GRY
 T7-PNK T8-RED
 T9-BRK RED
 T10-CURRY
 T11-GRN T12-VLT

INTERCHANGE ANY TWO LINE WIRES TO REVERSE THE ROTATION



WARNING: Motor must be grounded in accordance with local and national electrical codes to prevent serious electrical shocks. Disconnect power source before servicing unit.

AVERTISSEMENT: Le moteur doit être mis à la terre

conformément aux codes électriques locaux et nationaux afin d'éviter tout choc électrique grave. Déconnectez l'alimentation avant l'entretien de la machine.

