

DATA SHEET



Three Phase Induction Motor - Squirrel Cage

Customer :					
Product line : JP Pump NEMA Premium Efficiency Three-Phase		Product code : 14332473			
		Catalog # : 01518OT3V254JPV-S			
Frame	: 254/6JP	Locked rotor time	: 30s (cold) 17s (hot)		
Output	: 15 HP (11 kW)	Temperature rise	: 80 K		
Poles	: 4	Duty cycle	: Cont.(S1)		
Frequency	: 60 Hz	Ambient temperature	: -20°C to +40°C		
Rated voltage	: 200/400 V	Altitude	: 1000 m.a.s.l.		
Rated current	: 42.8/21.4 A	Cooling method	: IC01 - ODP		
L. R. Amperes	: 287/143 A	Mounting	: W-6		
LRC	: 6.7x(Code H)	Rotation ¹	: Both (CW and CCW)		
No load current	: 21.9/10.9 A	Noise level ²	: 64.0 dB(A)		
Rated speed	: 1775 rpm	Starting method	: Direct On Line		
Slip	: 1.39 %	Approx. weight ³	: 175 lb		
Rated torque	: 44.4 ft.lb				
Locked rotor torque	: 240 %				
Breakdown torque	: 300 %				
Insulation class	: F				
Service factor	: 1.15				
Moment of inertia (J)	: 1.82 sq.ft.lb				
Design	: B				
Output	25%	50%	75%	100%	
Efficiency (%)	91.0	91.7	92.4	93.0	
Power Factor	0.36	0.62	0.73	0.80	
Foundation loads		Max. traction : 551 lb			
		Max. compression : 726 lb			
Bearing type	:	<u>Drive end</u> 6309 Z C3	<u>Non drive end</u> 6208 Z C3		
Sealing	:	Without Bearing Seal	Without Bearing Seal		
Lubrication interval	:	20000 h	20000 h		
Lubricant amount	:	13 g	8 g		
Lubricant type	:	Mobil Polyrex EM			
Notes					
This revision replaces and cancel the previous one, which must be eliminated. (1) Looking the motor from the shaft end. (2) Measured at 1m and with tolerance of +3dB(A). (3) Approximate weight subject to changes after manufacturing process. (4) At 100% of full load.			These are average values based on tests with sinusoidal power supply, subject to the tolerances stipulated in NEMA MG-1.		
Rev.	Changes Summary		Performed	Checked	Date
Performed by					
Checked by				Page	Revision
Date	13/04/2022			1 / 6	

TORQUE AND CURRENT VS SPEED CURVE

Three Phase Induction Motor - Squirrel Cage



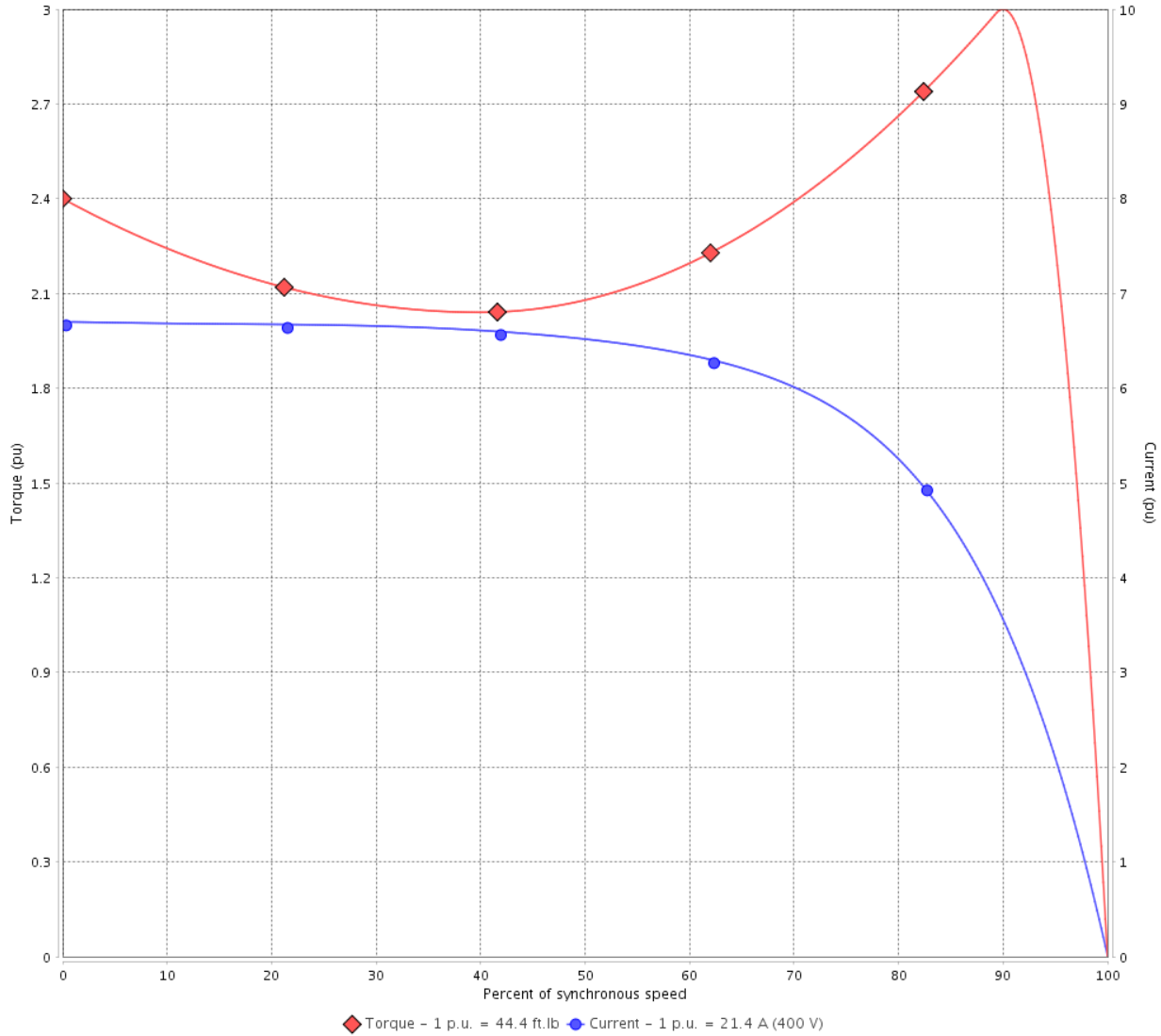
Customer :

Product line : JP Pump NEMA Premium
Efficiency Three-Phase

Product code : 14332473

Catalog # : 01518OT3V254JPV-S

TORQUE AND CURRENT VS SPEED CURVE



Performance : 200/400 V 60 Hz 4P

Rated current : 42.8/21.4 A
LRC : 6.7
Rated torque : 44.4 ft.lb
Locked rotor torque : 240 %
Breakdown torque : 300 %
Rated speed : 1775 rpm

Moment of inertia (J) : 1.82 sq.ft.lb
Duty cycle : Cont.(S1)
Insulation class : F
Service factor : 1.15
Temperature rise : 80 K
Design : B

Locked rotor time : 30s (cold) 17s (hot)

Rev.	Changes Summary	Performed	Checked	Date
Performed by			Page 2 / 6	Revision
Checked by				
Date	13/04/2022			

LOAD PERFORMANCE CURVE

Three Phase Induction Motor - Squirrel Cage

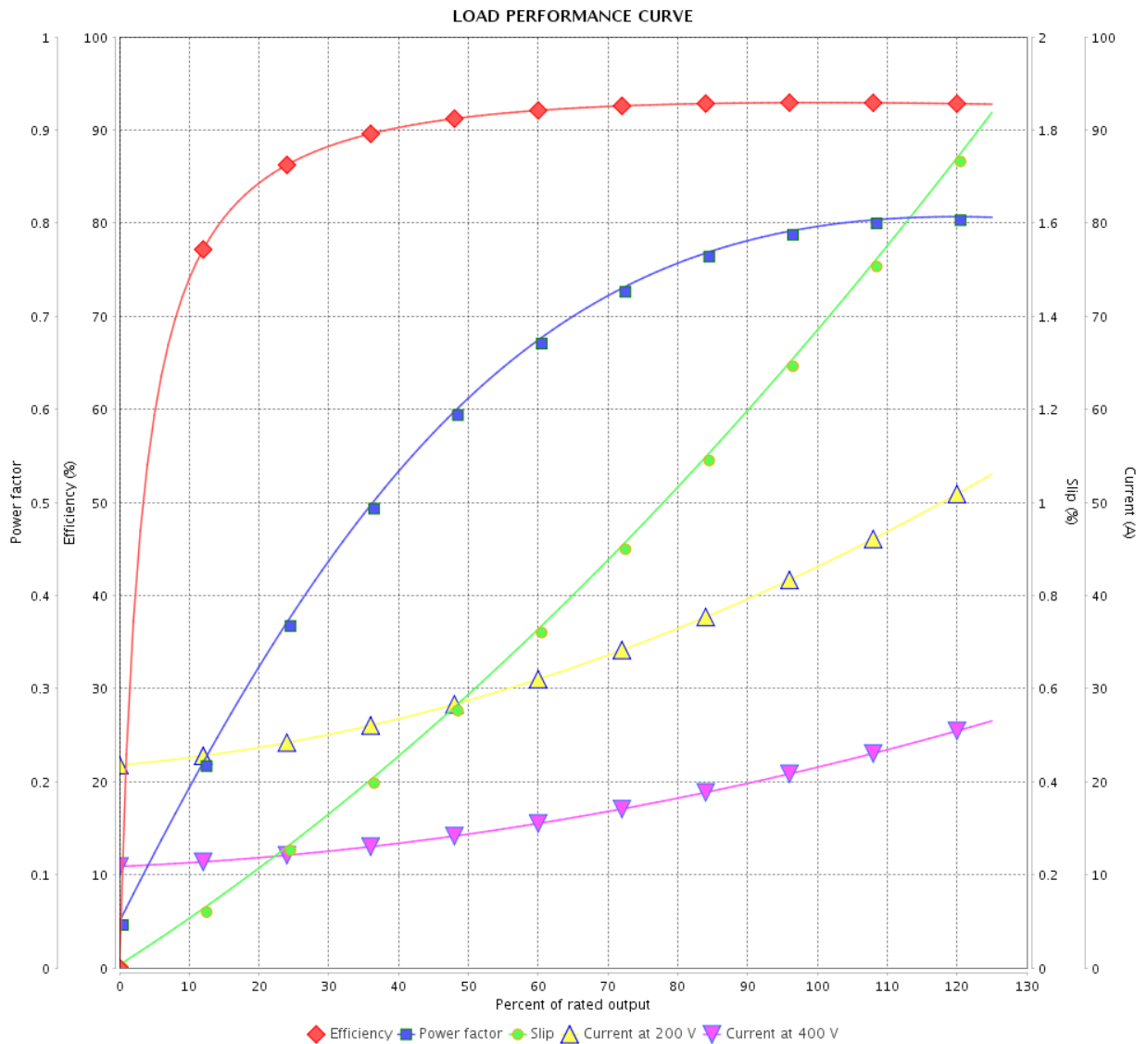


Customer :

Product line : JP Pump NEMA Premium
Efficiency Three-Phase

Product code : 14332473

Catalog # : 01518OT3V254JPV-S



Performance : 200/400 V 60 Hz 4P

Rated current : 42.8/21.4 A
LRC : 6.7
Rated torque : 44.4 ft.lb
Locked rotor torque : 240 %
Breakdown torque : 300 %
Rated speed : 1775 rpm

Moment of inertia (J) : 1.82 sq.ft.lb
Duty cycle : Cont.(S1)
Insulation class : F
Service factor : 1.15
Temperature rise : 80 K
Design : B

Rev.	Changes Summary	Performed	Checked	Date
Performed by		Page		Revision
Checked by		3 / 6		
Date		13/04/2022		

THERMAL LIMIT CURVE



Three Phase Induction Motor - Squirrel Cage

Customer :

Product line : JP Pump NEMA Premium
Efficiency Three-Phase

Product code : 14332473

Catalog # : 01518OT3V254JPV-S

Performance : 200/400 V 60 Hz 4P

Rated current : 42.8/21.4 A
LRC : 6.7
Rated torque : 44.4 ft.lb
Locked rotor torque : 240 %
Breakdown torque : 300 %
Rated speed : 1775 rpm

Moment of inertia (J) : 1.82 sq.ft.lb
Duty cycle : Cont.(S1)
Insulation class : F
Service factor : 1.15
Temperature rise : 80 K
Design : B

Heating constant

Cooling constant

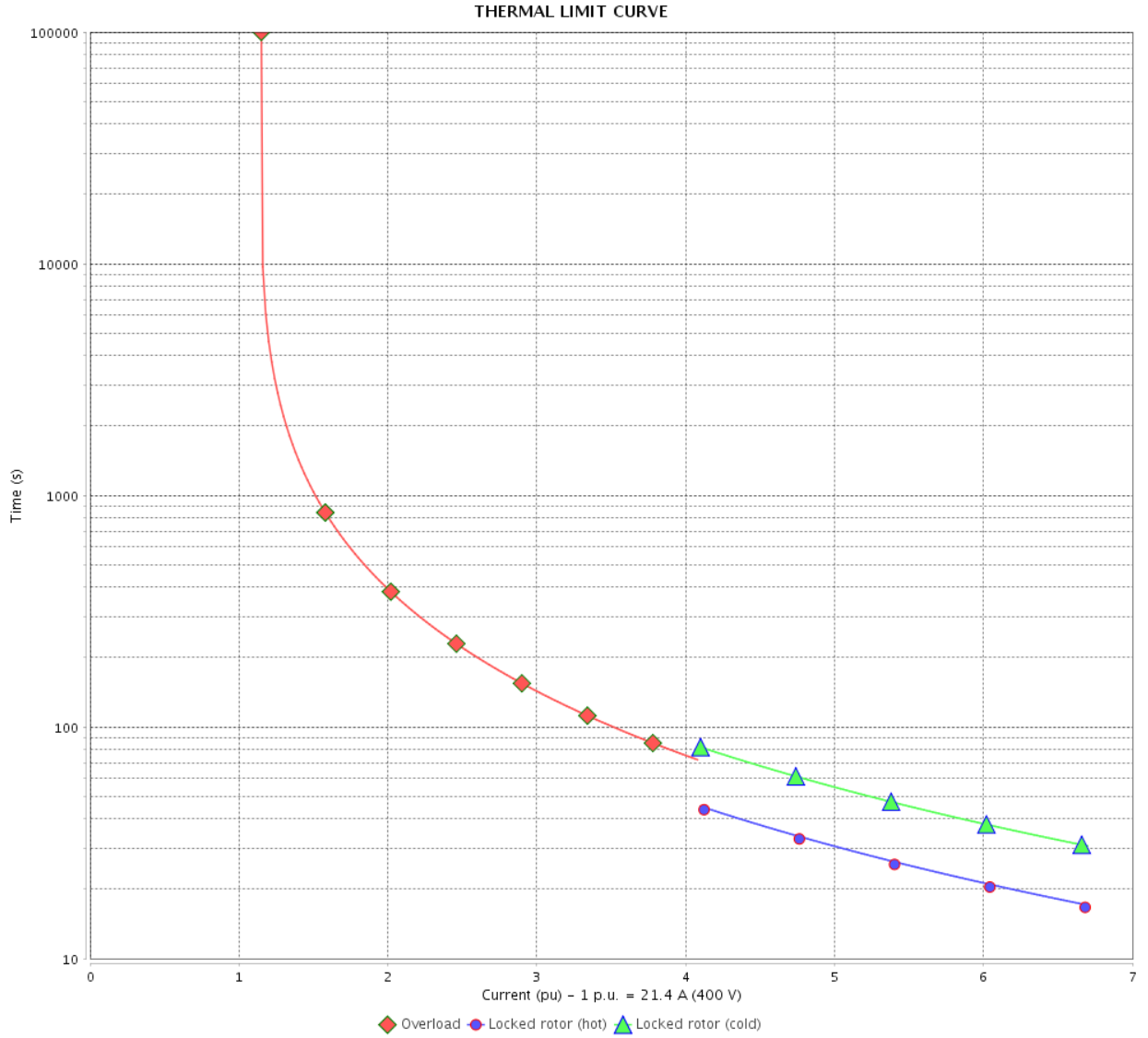
Rev.	Changes Summary	Performed	Checked	Date
Performed by				
Checked by			Page	Revision
Date	13/04/2022		4 / 6	

THERMAL LIMIT CURVE

Three Phase Induction Motor - Squirrel Cage



Customer : _____



Rev.	Changes Summary	Performed	Checked	Date
Performed by		Page 5 / 6 Revision		
Checked by				
Date				

VFD OPERATION CURVE

Three Phase Induction Motor - Squirrel Cage

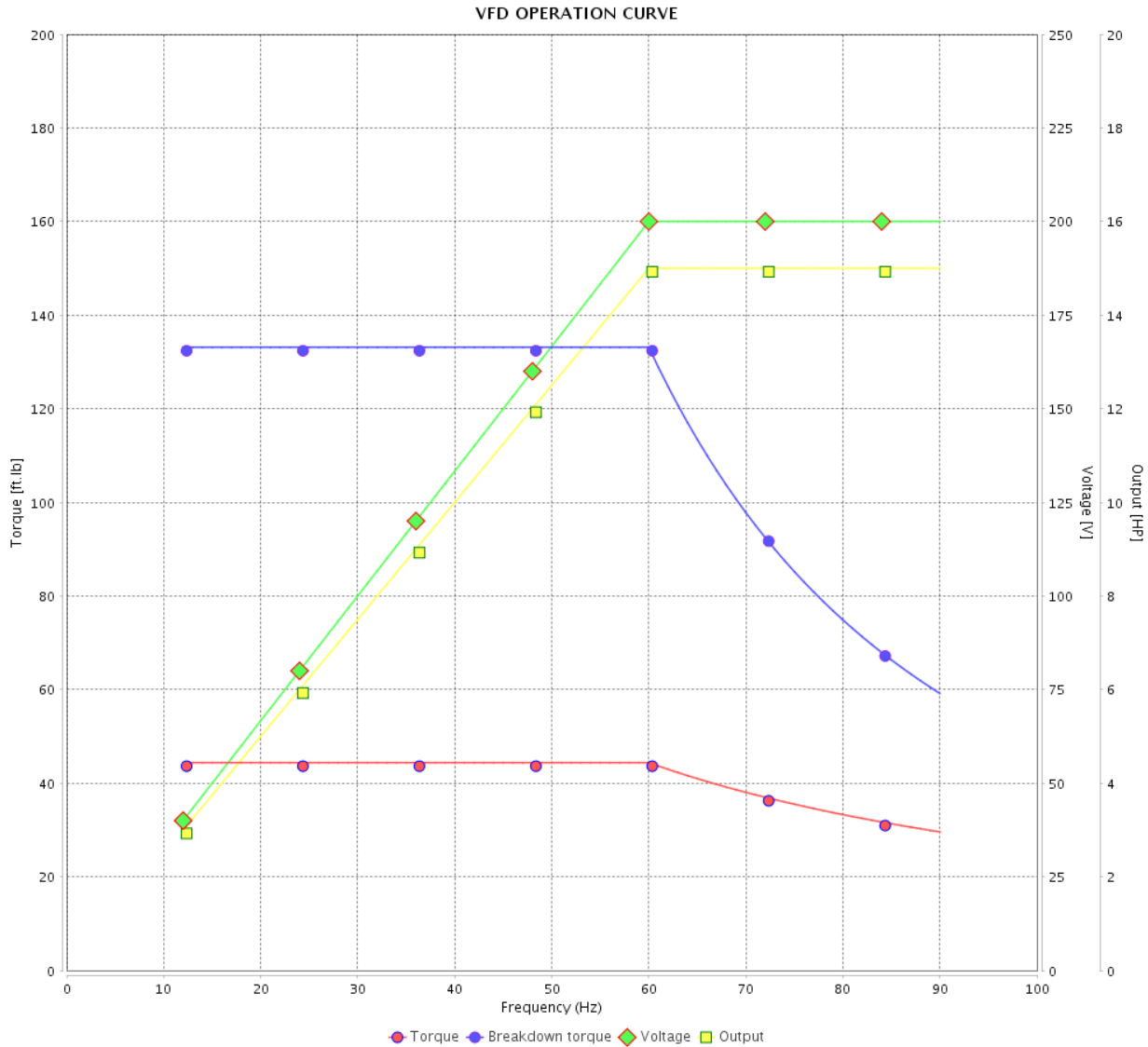


Customer :

Product line : JP Pump NEMA Premium Efficiency Three-Phase

Product code : 14332473

Catalog # : 01518OT3V254JPV-S



Performance : 200/400 V 60 Hz 4P

Rated current : 42.8/21.4 A
 LRC : 6.7
 Rated torque : 44.4 ft.lb
 Locked rotor torque : 240 %
 Breakdown torque : 300 %
 Rated speed : 1775 rpm

Moment of inertia (J) : 1.82 sq.ft.lb
 Duty cycle : Cont.(S1)
 Insulation class : F
 Service factor : 1.15
 Temperature rise : 80 K
 Design : B

Rev.	Changes Summary	Performed	Checked	Date
Performed by			Page 6 / 6	Revision
Checked by				
Date	13/04/2022			

1 2 3 4 5 6

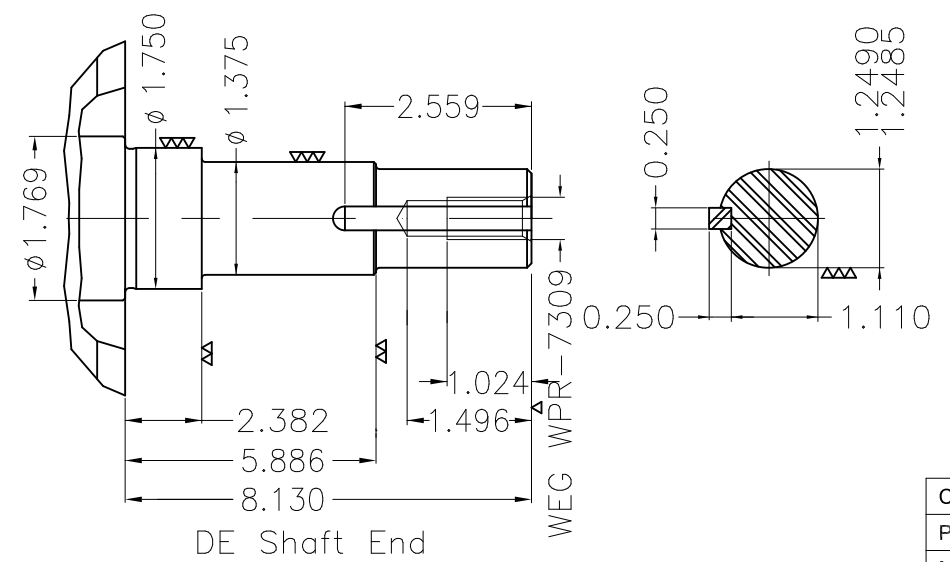
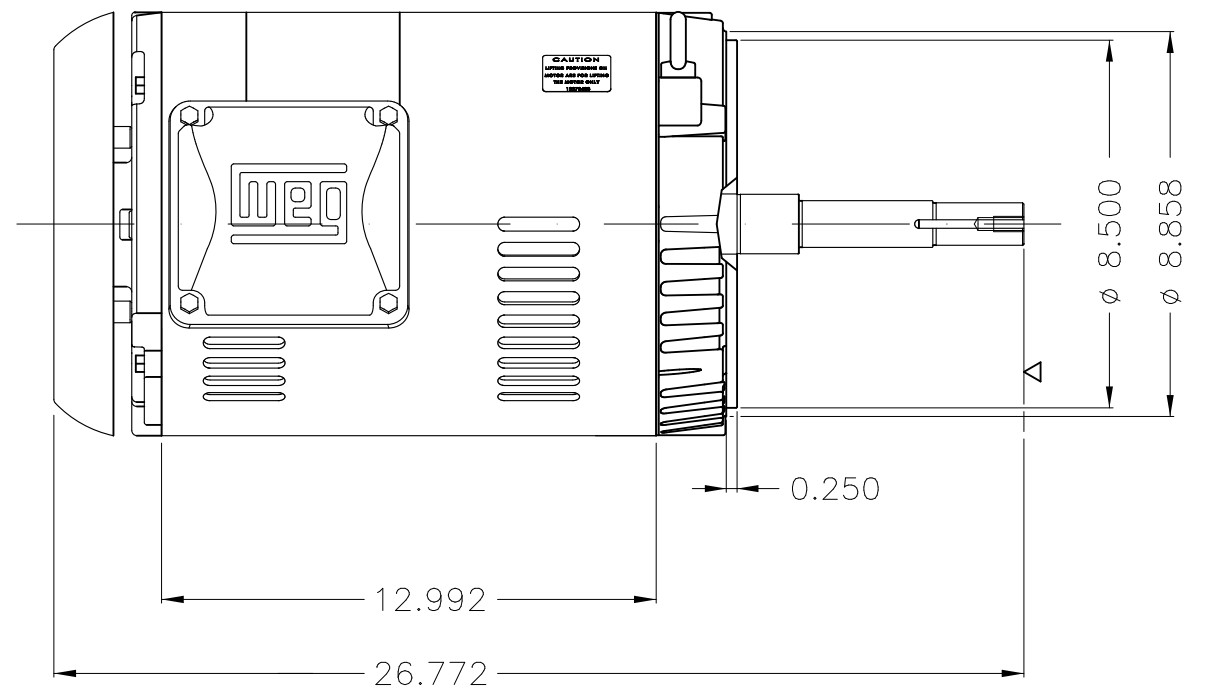
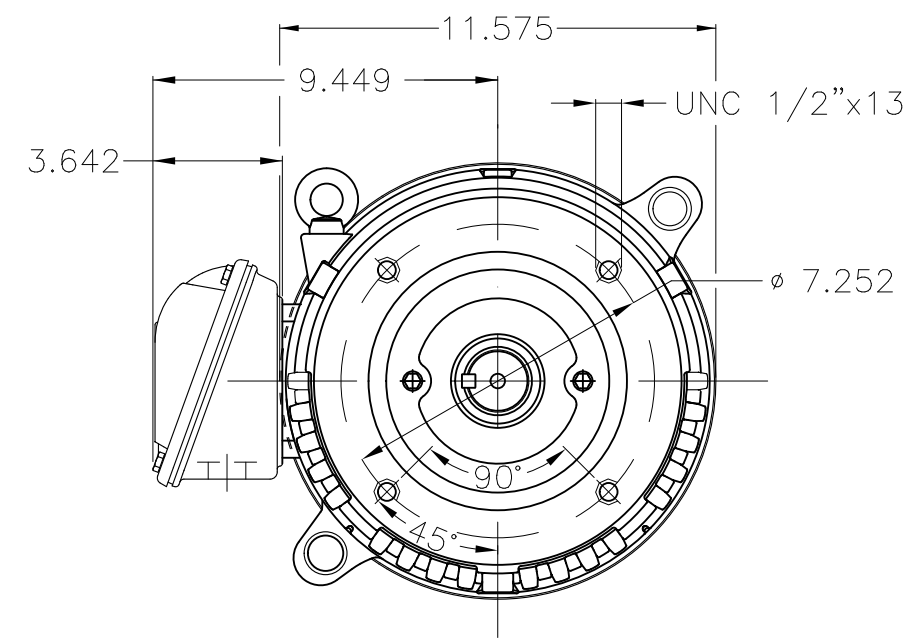
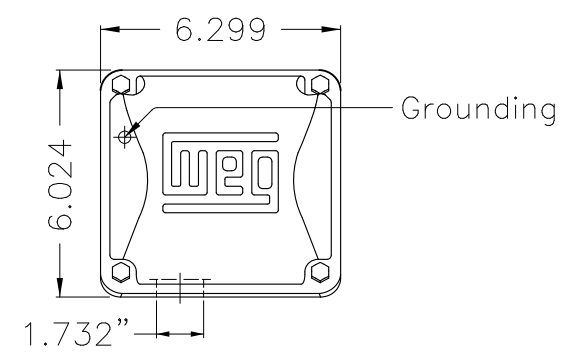
A

B

C

D

E



EUNC 1/2" - 13 WEG WPR-7309

Color Munsell N 1 matte black									
Painting plan 207N									
Mounting W-6/V18R(D)									
ECM	LOC	SUMMARY OF MODIFICATIONS			EXECUTED	CHECKED	RELEASED	DATE	VER
EXECUTED	PIRBUSER	THREE PH. MOTOR ROLLED STEEL CLOSE COUPLED PUMP JP 3/4 DE PREMETS							
CHECKED		FRAME 254/6JP IP21 ODP							
RELEASED									
REL DT.		WMO	Jaragua do Sul	Product Engineering					

PREVIEW
WDD



15 HP 04 Poles 60 Hz