

DATA SHEET



Three Phase Induction Motor - Squirrel Cage

Customer :						
Product line	: JM Pump NEMA Premium Efficiency Three-Phase	Product code :	13441210			
		Catalog # :	01536ET3H215JM-S			
Frame	: 213/5JM	Locked rotor time	: 19s (cold) 11s (hot)			
Output	: 15 HP (11 kW)	Temperature rise	: 80 K			
Poles	: 2	Duty cycle	: Cont.(S1)			
Frequency	: 60 Hz	Ambient temperature	: -20°C to +40°C			
Rated voltage	: 575 V	Altitude	: 1000 m.a.s.l.			
Rated current	: 13.6 A	Protection degree	: IP55			
L. R. Amperes	: 112 A	Cooling method	: IC411 - TEFC			
LRC	: 8.2x(Code J)	Mounting	: F-1			
No load current	: 4.98 A	Rotation ¹	: Both (CW and CCW)			
Rated speed	: 3520 rpm	Noise level ²	: 70.0 dB(A)			
Slip	: 2.22 %	Starting method	: Direct On Line			
Rated torque	: 22.4 ft.lb	Approx. weight ³	: 167 lb			
Locked rotor torque	: 280 %					
Breakdown torque	: 330 %					
Insulation class	: F					
Service factor	: 1.15					
Moment of inertia (J)	: 0.6341 sq.ft.lb					
Design	: A					
Output	25%	50%	75%	100%		
Efficiency (%)	90.0	90.2	91.0	91.0		
Power Factor	0.49	0.76	0.85	0.89		
Foundation loads						
Max. traction : 333 lb						
Max. compression : 500 lb						
		<u>Drive end</u>	<u>Non drive end</u>			
Bearing type	:	6209 ZZ	6206 ZZ			
Sealing	:	V'Ring	V'Ring			
Lubrication interval	:	-	-			
Lubricant amount	:	-	-			
Lubricant type	:	Mobil Polyrex EM				
Notes						
This revision replaces and cancel the previous one, which must be eliminated. (1) Looking the motor from the shaft end. (2) Measured at 1m and with tolerance of +3dB(A). (3) Approximate weight subject to changes after manufacturing process. (4) At 100% of full load.			These are average values based on tests with sinusoidal power supply, subject to the tolerances stipulated in NEMA MG-1.			
Rev.	Changes Summary			Performed	Checked	Date
Performed by						
Checked by					Page	Revision
Date	13/04/2022				1 / 6	

TORQUE AND CURRENT VS SPEED CURVE

Three Phase Induction Motor - Squirrel Cage



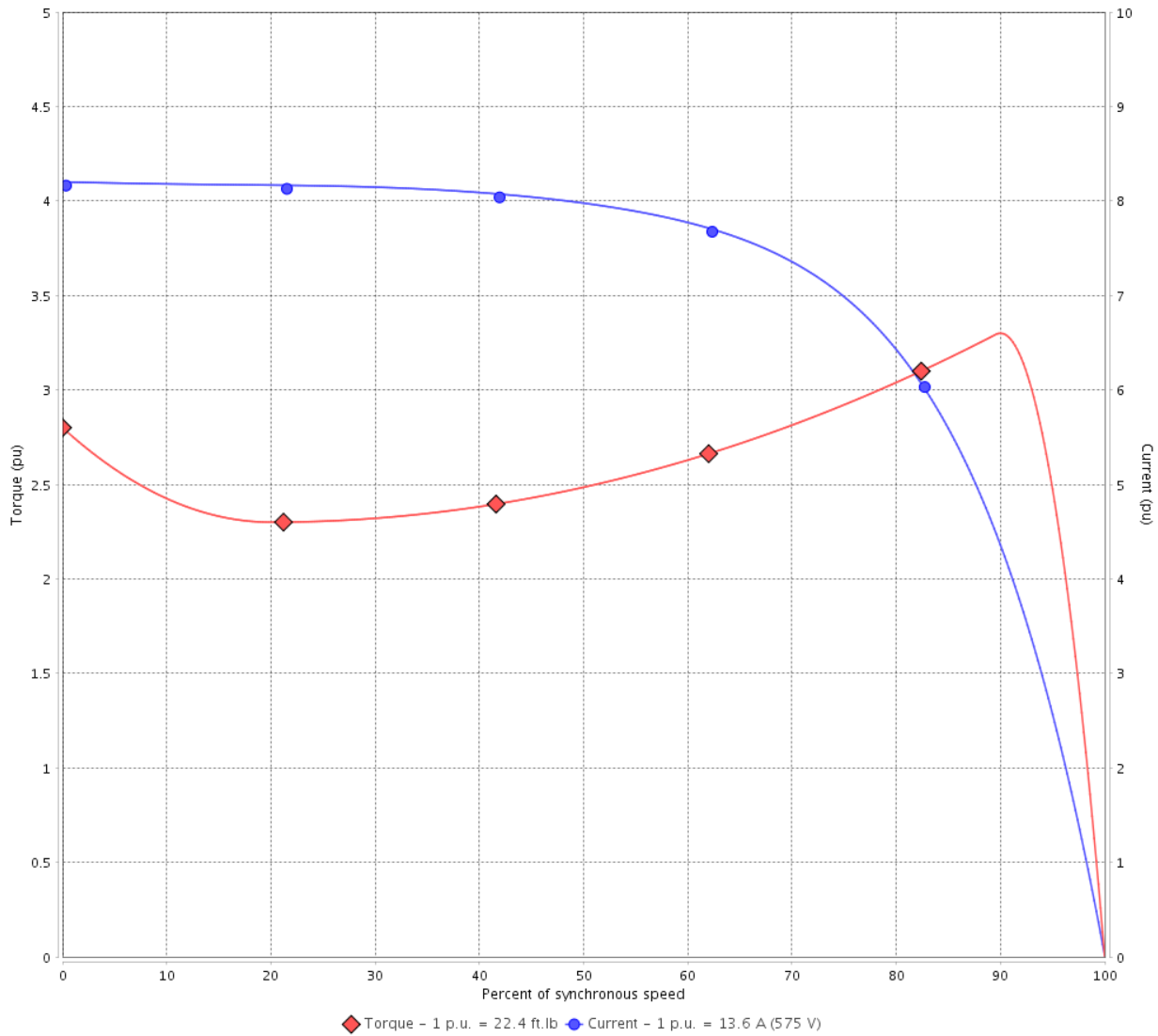
Customer :

Product line : JM Pump NEMA Premium
Efficiency Three-Phase

Product code : 13441210

Catalog # : 01536ET3H215JM-S

TORQUE AND CURRENT VS SPEED CURVE



Performance : 575 V 60 Hz 2P

Rated current	: 13.6 A	Moment of inertia (J)	: 0.6341 sq.ft.lb
LRC	: 8.2	Duty cycle	: Cont.(S1)
Rated torque	: 22.4 ft.lb	Insulation class	: F
Locked rotor torque	: 280 %	Service factor	: 1.15
Breakdown torque	: 330 %	Temperature rise	: 80 K
Rated speed	: 3520 rpm	Design	: A

Locked rotor time : 19s (cold) 11s (hot)

Rev.	Changes Summary	Performed	Checked	Date
Performed by			Page 2 / 6	Revision
Checked by				
Date	13/04/2022			

LOAD PERFORMANCE CURVE

Three Phase Induction Motor - Squirrel Cage

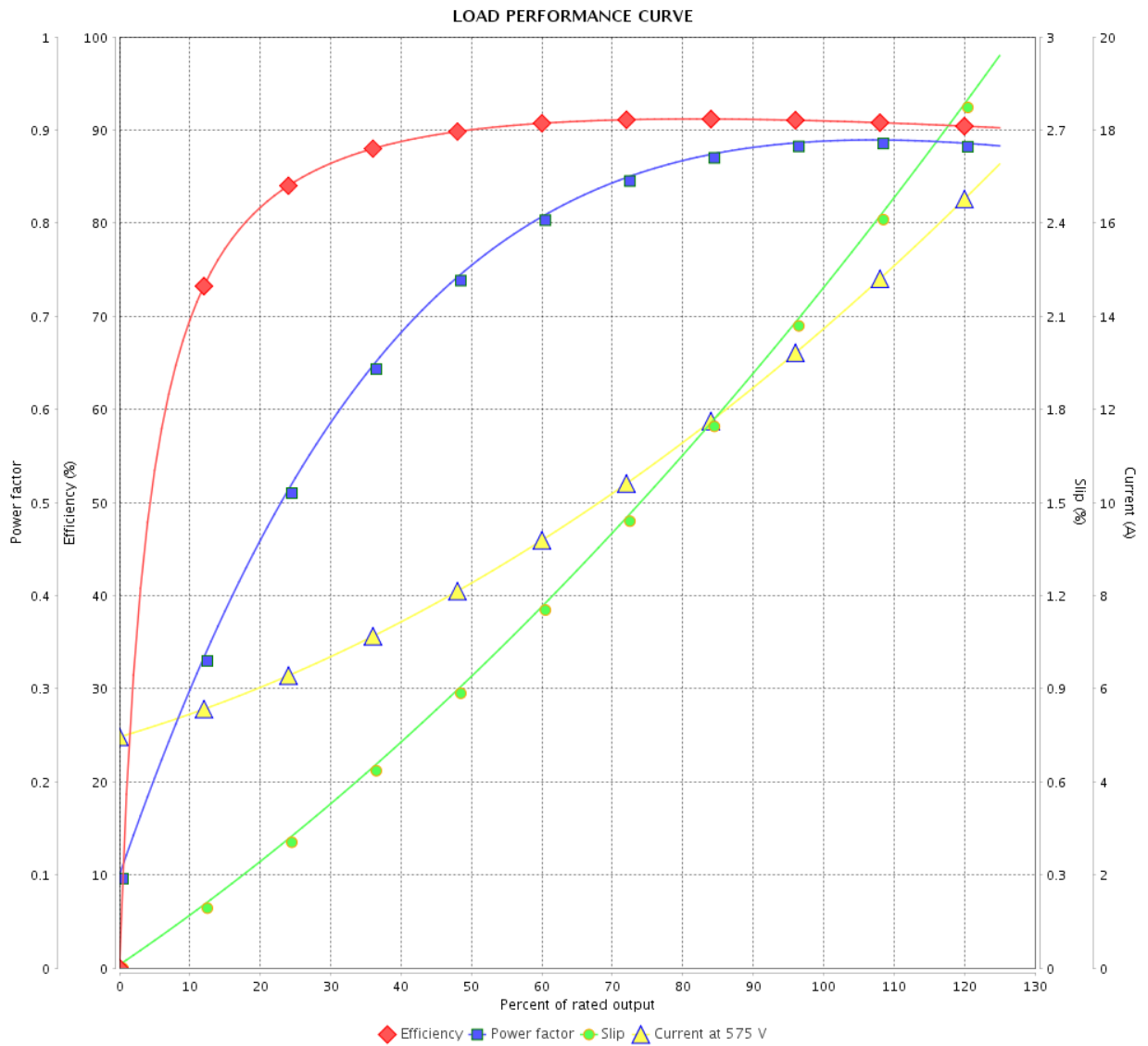


Customer :

Product line : JM Pump NEMA Premium
Efficiency Three-Phase

Product code : 13441210

Catalog # : 01536ET3H215JM-S



Performance : 575 V 60 Hz 2P

Rated current : 13.6 A
 LRC : 8.2
 Rated torque : 22.4 ft.lb
 Locked rotor torque : 280 %
 Breakdown torque : 330 %
 Rated speed : 3520 rpm

Moment of inertia (J) : 0.6341 sq.ft.lb
 Duty cycle : Cont.(S1)
 Insulation class : F
 Service factor : 1.15
 Temperature rise : 80 K
 Design : A

Rev.	Changes Summary	Performed	Checked	Date
Performed by				
Checked by				
Date				
		Page	Revision	
		3 / 6		

THERMAL LIMIT CURVE



Three Phase Induction Motor - Squirrel Cage

Customer :

Product line : JM Pump NEMA Premium
Efficiency Three-Phase

Product code : 13441210

Catalog # : 01536ET3H215JM-S

Performance : 575 V 60 Hz 2P

Rated current : 13.6 A
LRC : 8.2
Rated torque : 22.4 ft.lb
Locked rotor torque : 280 %
Breakdown torque : 330 %
Rated speed : 3520 rpm

Moment of inertia (J) : 0.6341 sq.ft.lb
Duty cycle : Cont.(S1)
Insulation class : F
Service factor : 1.15
Temperature rise : 80 K
Design : A

Heating constant

Cooling constant

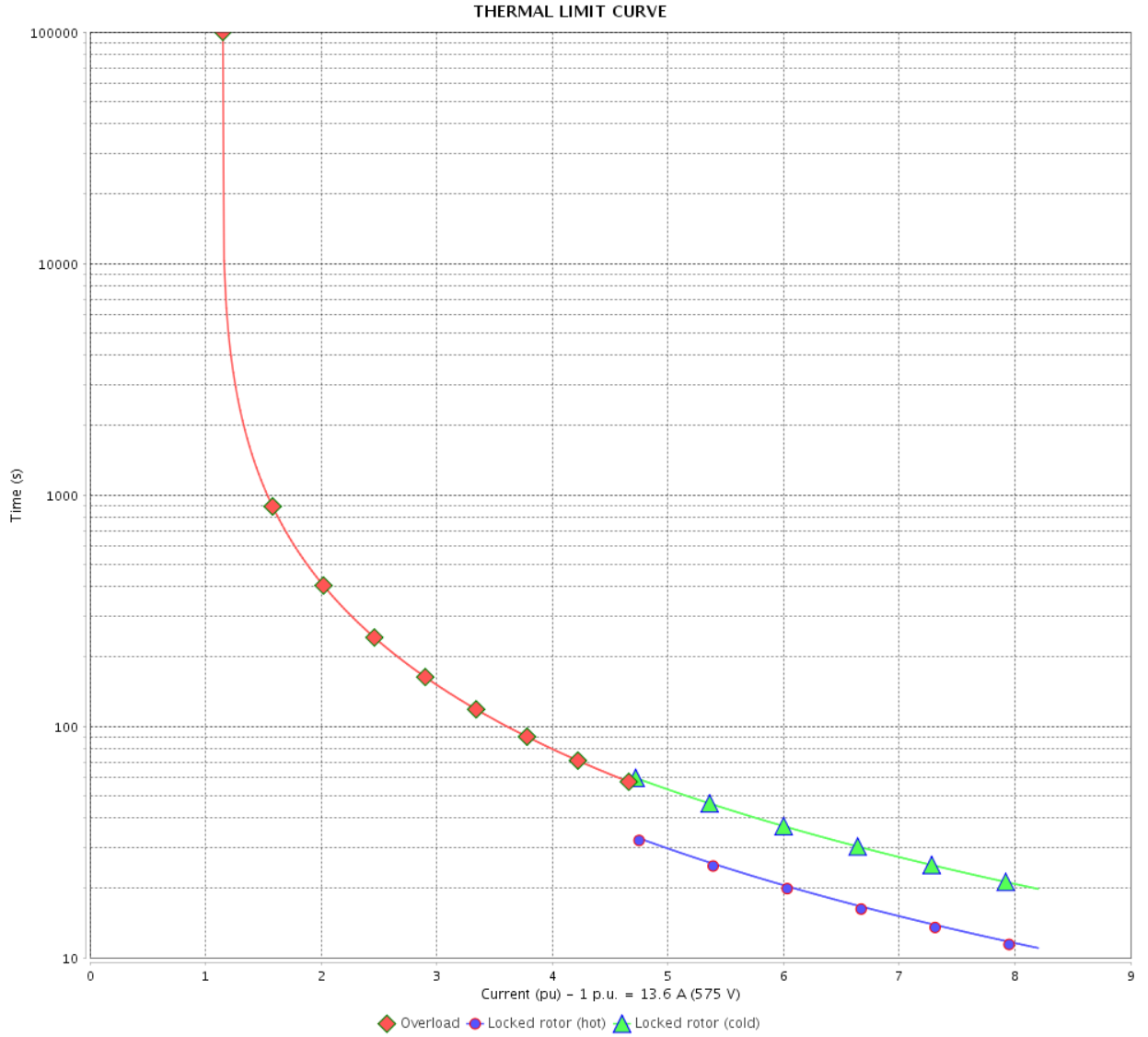
Rev.	Changes Summary	Performed	Checked	Date
Performed by				
Checked by			Page	Revision
Date	13/04/2022		4 / 6	

THERMAL LIMIT CURVE

Three Phase Induction Motor - Squirrel Cage



Customer : _____



Rev.	Changes Summary	Performed	Checked	Date
Performed by		Page 5 / 6		Revision
Checked by				
Date				

VFD OPERATION CURVE

Three Phase Induction Motor - Squirrel Cage



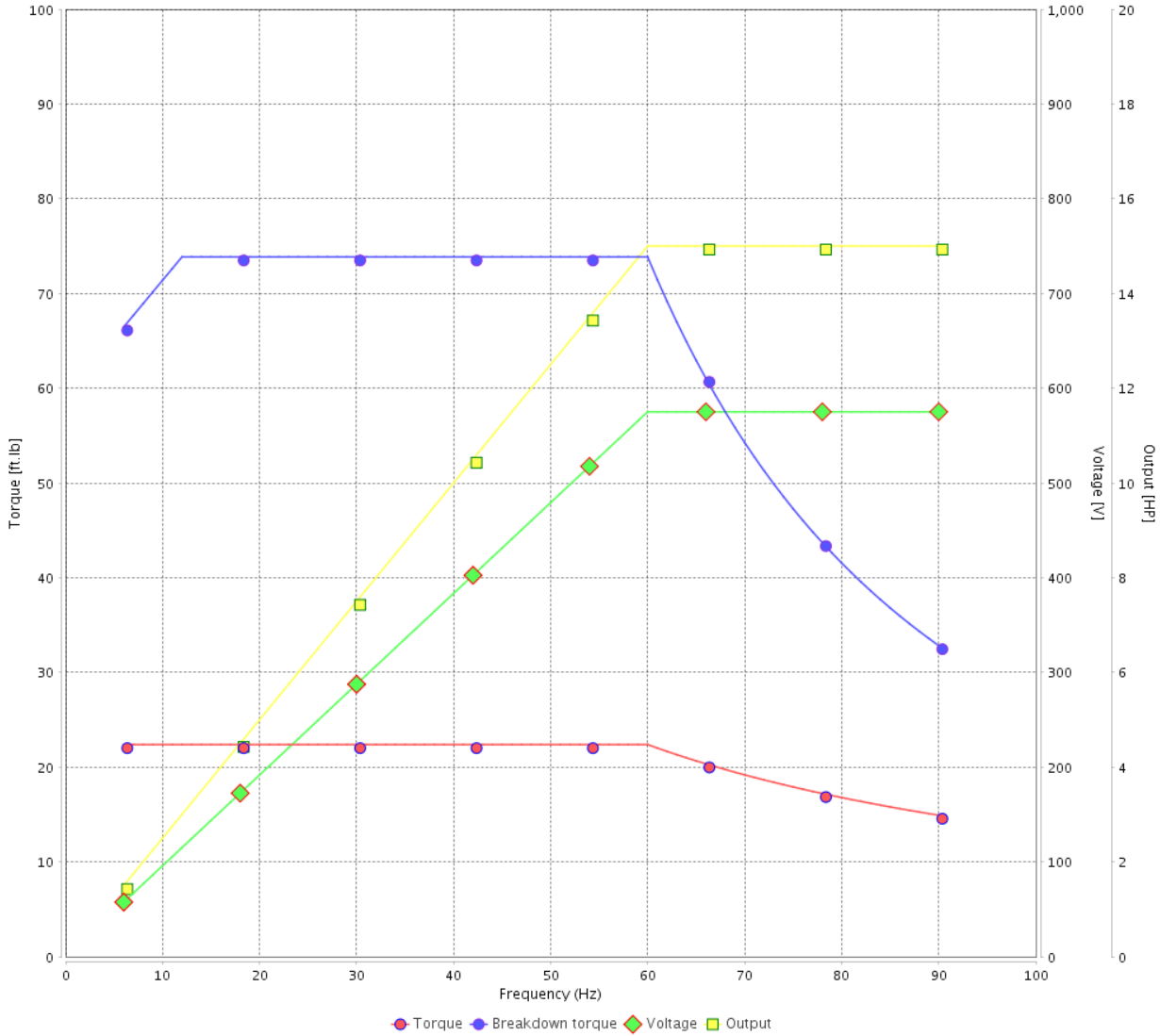
Customer :

Product line : JM Pump NEMA Premium Efficiency Three-Phase

Product code : 13441210

Catalog # : 01536ET3H215JM-S

VFD OPERATION CURVE



Performance : 575 V 60 Hz 2P

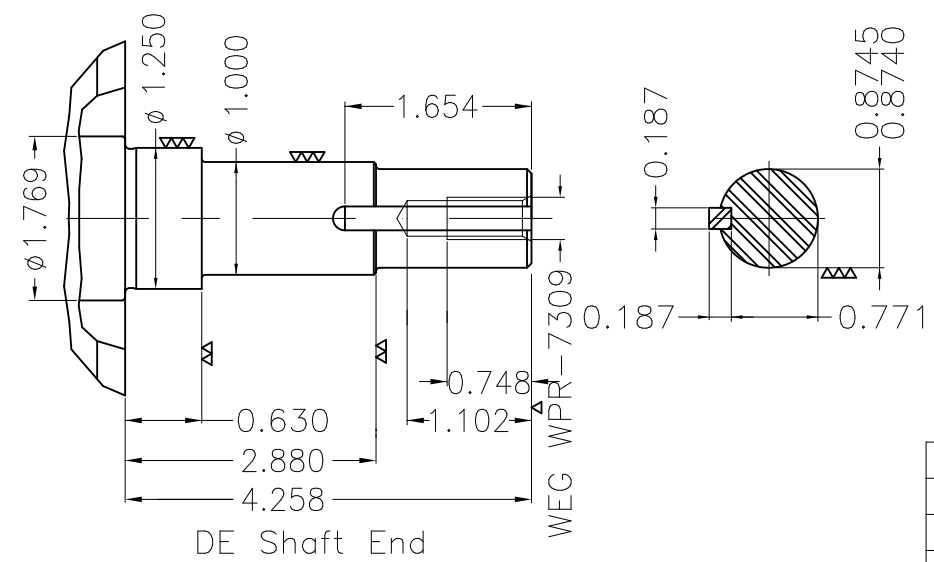
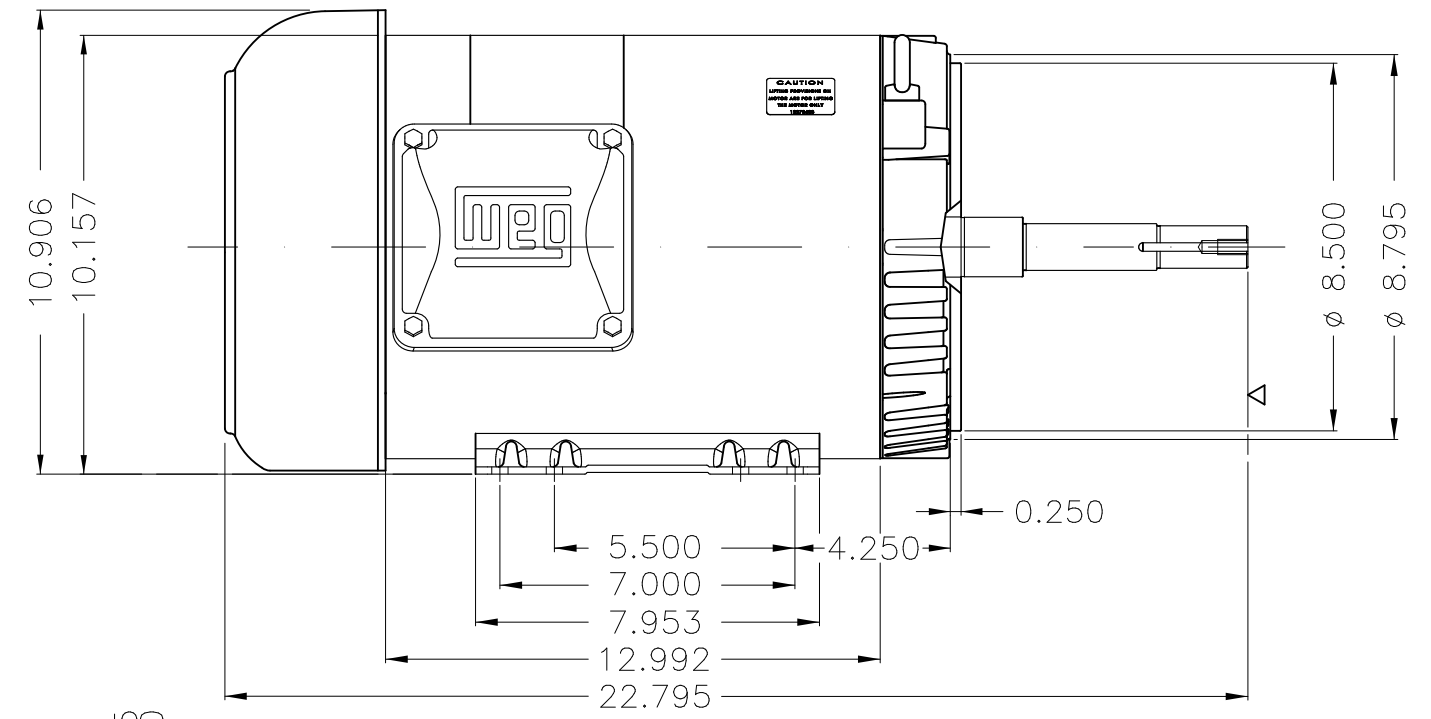
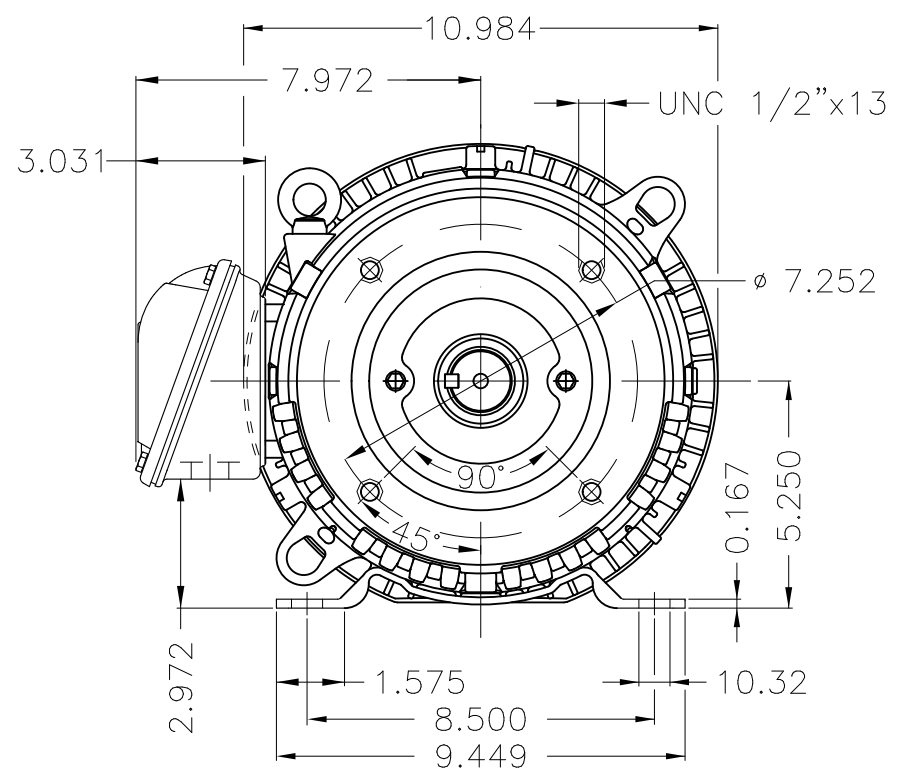
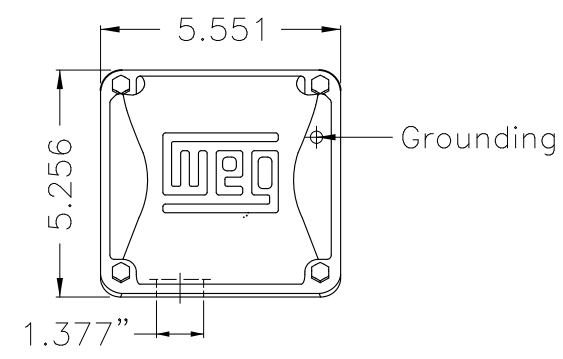
Rated current : 13.6 A
 LRC : 8.2
 Rated torque : 22.4 ft.lb
 Locked rotor torque : 280 %
 Breakdown torque : 330 %
 Rated speed : 3520 rpm

Moment of inertia (J) : 0.6341 sq.ft.lb
 Duty cycle : Cont.(S1)
 Insulation class : F
 Service factor : 1.15
 Temperature rise : 80 K
 Design : A

Rev.	Changes Summary	Performed	Checked	Date
Performed by			Page 6 / 6	Revision
Checked by				
Date	13/04/2022			

1 2 3 4 5 6

A
B
C
D
E



EUNC 3/8" - 16 WEG WPR-7309

DE Shaft End

Design A
Color Munsell N 1 matte black
Painting plan 207N
Mounting F-1/B34R(D)

ECM	LOC	SUMMARY OF MODIFICATIONS	EXECUTED	CHECKED	RELEASED	DATE	VER
EXECUTED	PIRBUSER	THREE PH. MOTOR ROLLED STEEL CLOSE COUPLED PUMP JN TYPE PSE 1/2"					
CHECKED		FRAME 213/5JM IP55 TEFC					
RELEASED							
REL DT.	WMO	Jaragua do Sul	Product Engineering	WDD			

15 HP 02 Poles 60 Hz

REL DT. WMO Jaragua do Sul Product Engineering SHEET 1 / 1





NEMA
Premium



MADE IN MEXICO

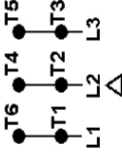
MAT: 13441210 CC029A
W01.TE0IC0X0N
JM015502NPW01215JM
16FEB2022 S/N:

For 60Hz: Class I, Zone 2, IIC
Class I, Div.2, Gr. A,B,C,D - T3
Div 2 Inverter Duty (SF1.00)
CT 2:1/VT 1000:1

PH 3	Hz 60	HP 15
FR 213/5JM		KW 11
DUTY CONT.		V 575
ALT 1000 m.a.s.l.		A 13.6
INS CL F AT 80K	IP55	SFA 15.6
AMB 40°C	DES A	SF 1.15
ENCL TEFC	CODE J	PF 0.89
		RPM 3520
		NEMA
		NOM. EFF 91.0%

For safe area-inverter duty motor For use on VPWM 1000:1 VT, 10:1 CT

DE 6209-ZZ ODE 6206-ZZ MOBIL POLYREX EM



T1-BLU
T2-WHT
T3-ORG
T4-YEL
T5-BLK
T6-GRY



INTERCHANGE ANY TWO LINE WIRES TO REVERSE THE ROTATION

WARNING: Motor must be grounded in accordance with local and national electrical codes to prevent serious electrical shocks. Disconnect power source before servicing unit.



AVERTISSEMENT: Le moteur doit être mis à la terre

conformément aux codes électriques locaux et nationaux afin d'éviter tout choc électrique grave. Déconnectez l'alimentation avant l'entretien de la machine.

