

# DATA SHEET



## Three Phase Induction Motor - Squirrel Cage

Customer	:					
Product line	:	JP Pump NEMA Premium Efficiency Three-Phase	Product code :	14328078		
			Catalog # :	01536ET3V254JP-S		
Frame	:	254/6JP	Locked rotor time	:	25s (cold) 14s (hot)	
Output	:	15 HP (11 kW)	Temperature rise	:	80 K	
Poles	:	2	Duty cycle	:	Cont.(S1)	
Frequency	:	60 Hz	Ambient temperature	:	-20°C to +40°C	
Rated voltage	:	200/400 V	Altitude	:	1000 m.a.s.l.	
Rated current	:	40.0/20.0 A	Protection degree	:	IP55	
L. R. Amperes	:	272/136 A	Cooling method	:	IC411 - TEFC	
LRC	:	6.8x(Code G)	Mounting	:	F-1	
No load current	:	15.0/7.47 A	Rotation <sup>1</sup>	:	Both (CW and CCW)	
Rated speed	:	3525 rpm	Noise level <sup>2</sup>	:	75.0 dB(A)	
Slip	:	2.08 %	Starting method	:	Direct On Line	
Rated torque	:	22.3 ft.lb	Approx. weight <sup>3</sup>	:	175 lb	
Locked rotor torque	:	200 %				
Breakdown torque	:	300 %				
Insulation class	:	F				
Service factor	:	1.15				
Moment of inertia (J)	:	0.8718 sq.ft.lb				
Design	:	B				
Output	25%	50%	75%	100%	Foundation loads	
Efficiency (%)	89.2	89.5	91.0	91.0	Max. traction : 234 lb	
Power Factor	0.47	0.73	0.83	0.87	Max. compression : 409 lb	
			<u>Drive end</u>		<u>Non drive end</u>	
Bearing type	:	6309 Z C3			6208 Z C3	
Sealing	:	V'Ring			V'Ring	
Lubrication interval	:	15797 h			20000 h	
Lubricant amount	:	13 g			8 g	
Lubricant type	:	Mobil Polyrex EM				
Notes						
This revision replaces and cancel the previous one, which must be eliminated. (1) Looking the motor from the shaft end. (2) Measured at 1m and with tolerance of +3dB(A). (3) Approximate weight subject to changes after manufacturing process. (4) At 100% of full load.			These are average values based on tests with sinusoidal power supply, subject to the tolerances stipulated in NEMA MG-1.			
Rev.	Changes Summary			Performed	Checked	Date
Performed by						
Checked by					Page	Revision
Date	13/04/2022				1 / 6	

# TORQUE AND CURRENT VS SPEED CURVE

## Three Phase Induction Motor - Squirrel Cage



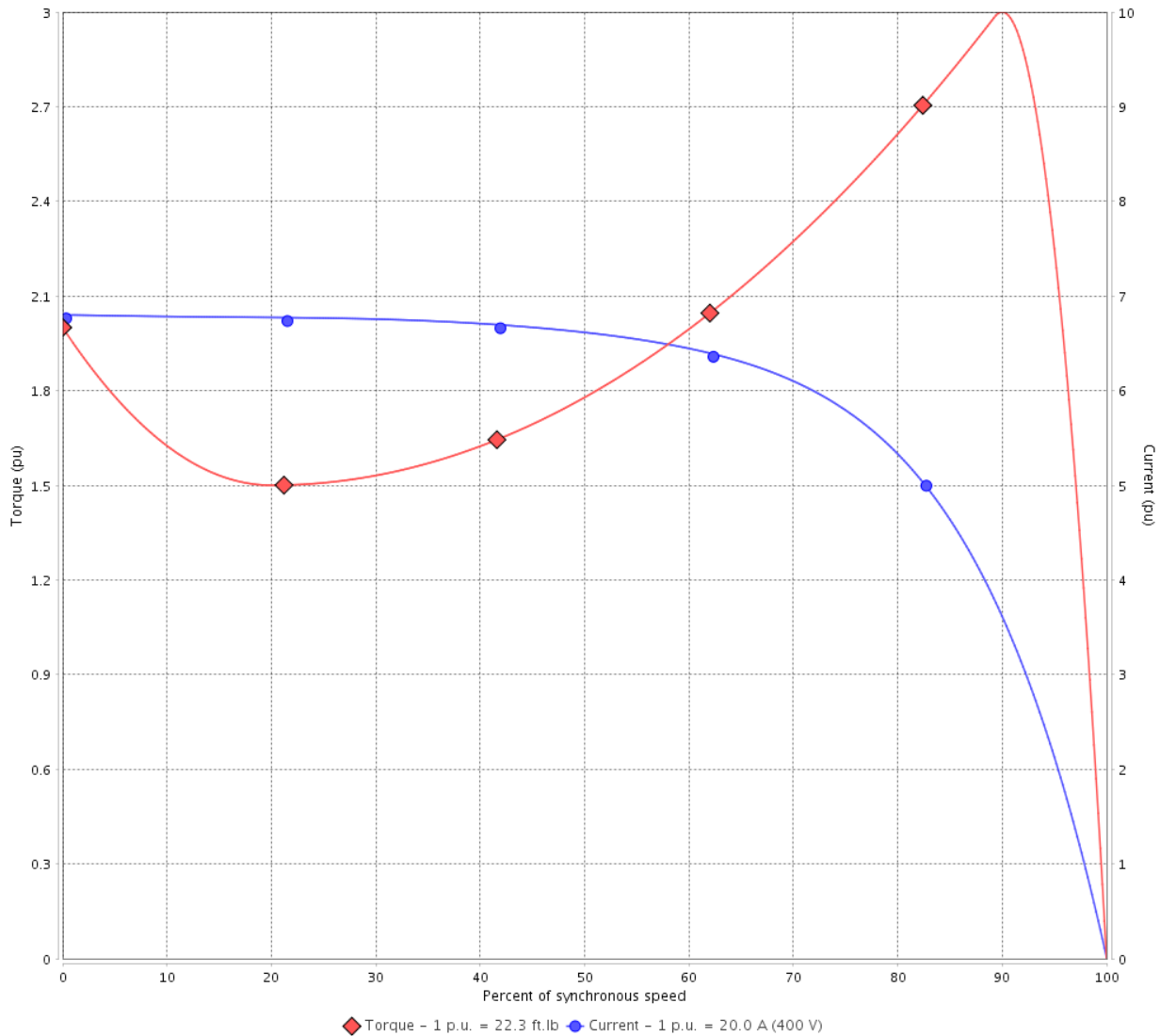
Customer :

Product line : JP Pump NEMA Premium  
Efficiency Three-Phase

Product code : 14328078

Catalog # : 01536ET3V254JP-S

TORQUE AND CURRENT VS SPEED CURVE



Performance : 200/400 V 60 Hz 2P

Rated current	: 40.0/20.0 A	Moment of inertia (J)	: 0.8718 sq.ft.lb
LRC	: 6.8	Duty cycle	: Cont.(S1)
Rated torque	: 22.3 ft.lb	Insulation class	: F
Locked rotor torque	: 200 %	Service factor	: 1.15
Breakdown torque	: 300 %	Temperature rise	: 80 K
Rated speed	: 3525 rpm	Design	: B

Locked rotor time : 25s (cold) 14s (hot)

Rev.	Changes Summary	Performed	Checked	Date
Performed by			Page 2 / 6	Revision
Checked by				
Date	13/04/2022			

# LOAD PERFORMANCE CURVE

## Three Phase Induction Motor - Squirrel Cage

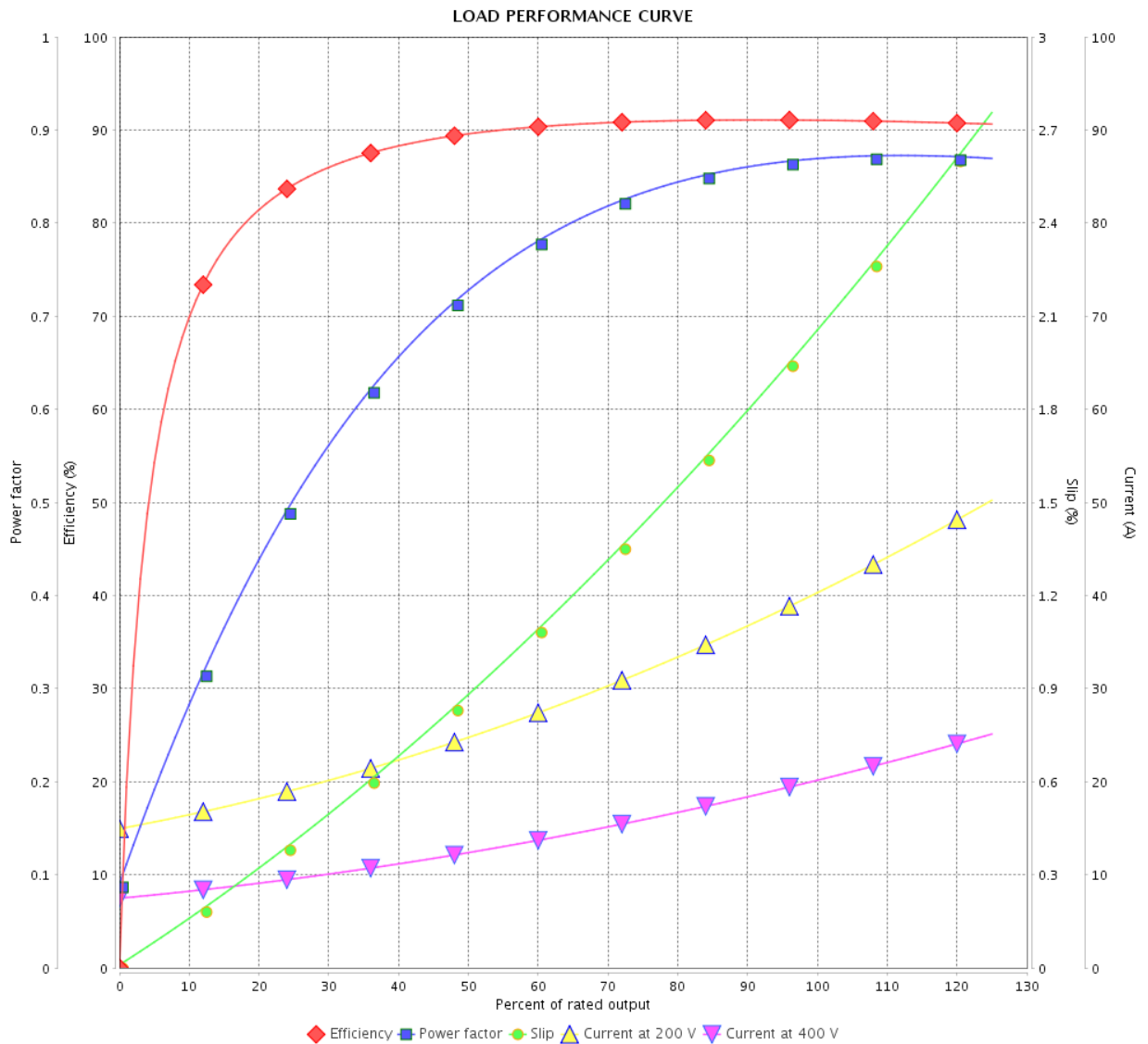


Customer :

Product line : JP Pump NEMA Premium  
Efficiency Three-Phase

Product code : 14328078

Catalog # : 01536ET3V254JP-S



Performance : 200/400 V 60 Hz 2P

Rated current : 40.0/20.0 A  
LRC : 6.8  
Rated torque : 22.3 ft.lb  
Locked rotor torque : 200 %  
Breakdown torque : 300 %  
Rated speed : 3525 rpm

Moment of inertia (J) : 0.8718 sq.ft.lb  
Duty cycle : Cont.(S1)  
Insulation class : F  
Service factor : 1.15  
Temperature rise : 80 K  
Design : B

Rev.	Changes Summary	Performed	Checked	Date
Performed by		Page		Revision
Checked by		3 / 6		
Date		13/04/2022		

# THERMAL LIMIT CURVE



## Three Phase Induction Motor - Squirrel Cage

Customer :

Product line : JP Pump NEMA Premium  
Efficiency Three-Phase

Product code : 14328078

Catalog # : 01536ET3V254JP-S

Performance : 200/400 V 60 Hz 2P

Rated current : 40.0/20.0 A  
LRC : 6.8  
Rated torque : 22.3 ft.lb  
Locked rotor torque : 200 %  
Breakdown torque : 300 %  
Rated speed : 3525 rpm

Moment of inertia (J) : 0.8718 sq.ft.lb  
Duty cycle : Cont.(S1)  
Insulation class : F  
Service factor : 1.15  
Temperature rise : 80 K  
Design : B

Heating constant

Cooling constant

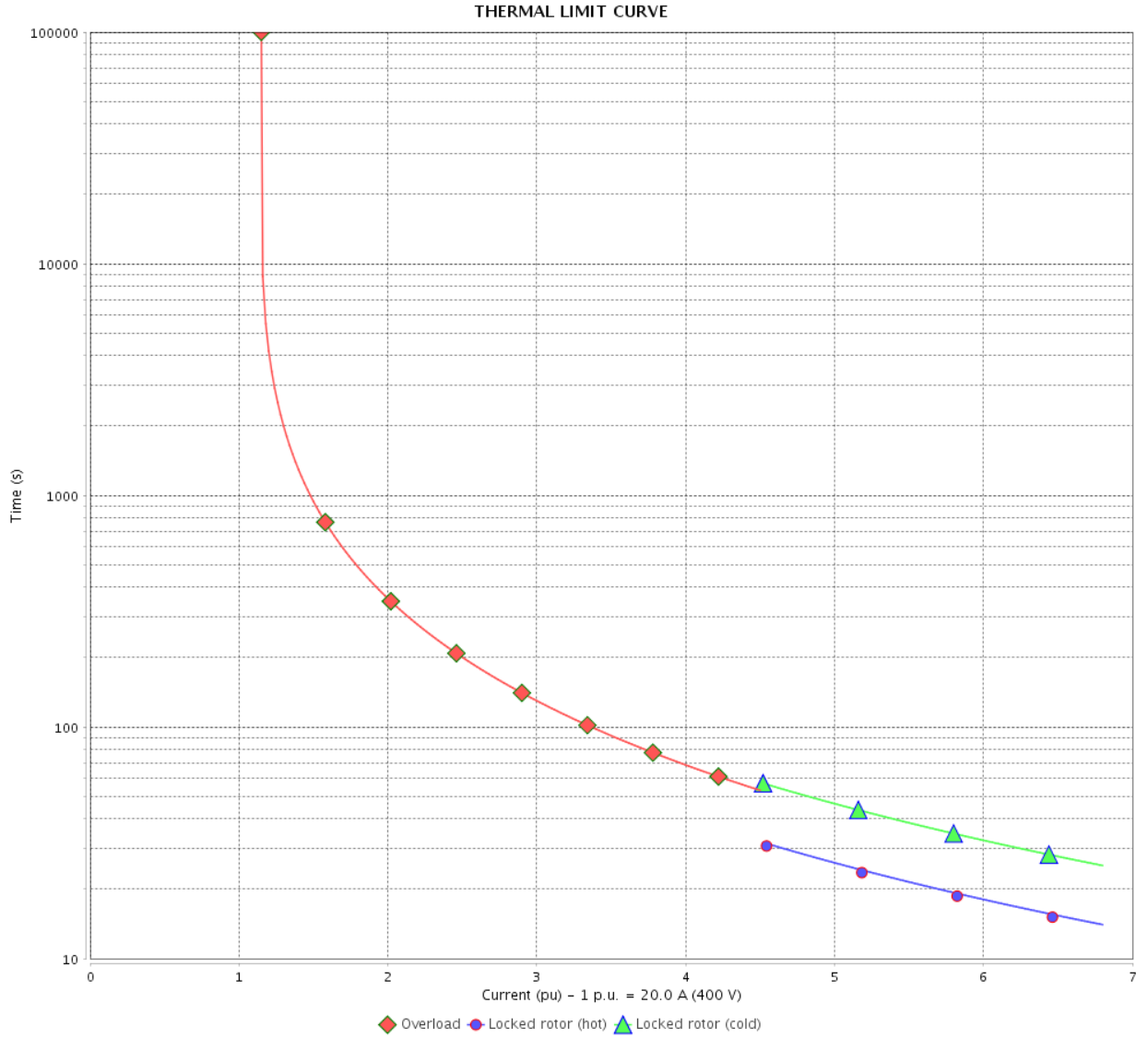
Rev.	Changes Summary	Performed	Checked	Date
Performed by				
Checked by			Page	Revision
Date	13/04/2022		4 / 6	

# THERMAL LIMIT CURVE

Three Phase Induction Motor - Squirrel Cage



Customer : \_\_\_\_\_



Rev.	Changes Summary	Performed	Checked	Date
Performed by		Page		Revision
Checked by		5 / 6		
Date		13/04/2022		

# VFD OPERATION CURVE

Three Phase Induction Motor - Squirrel Cage



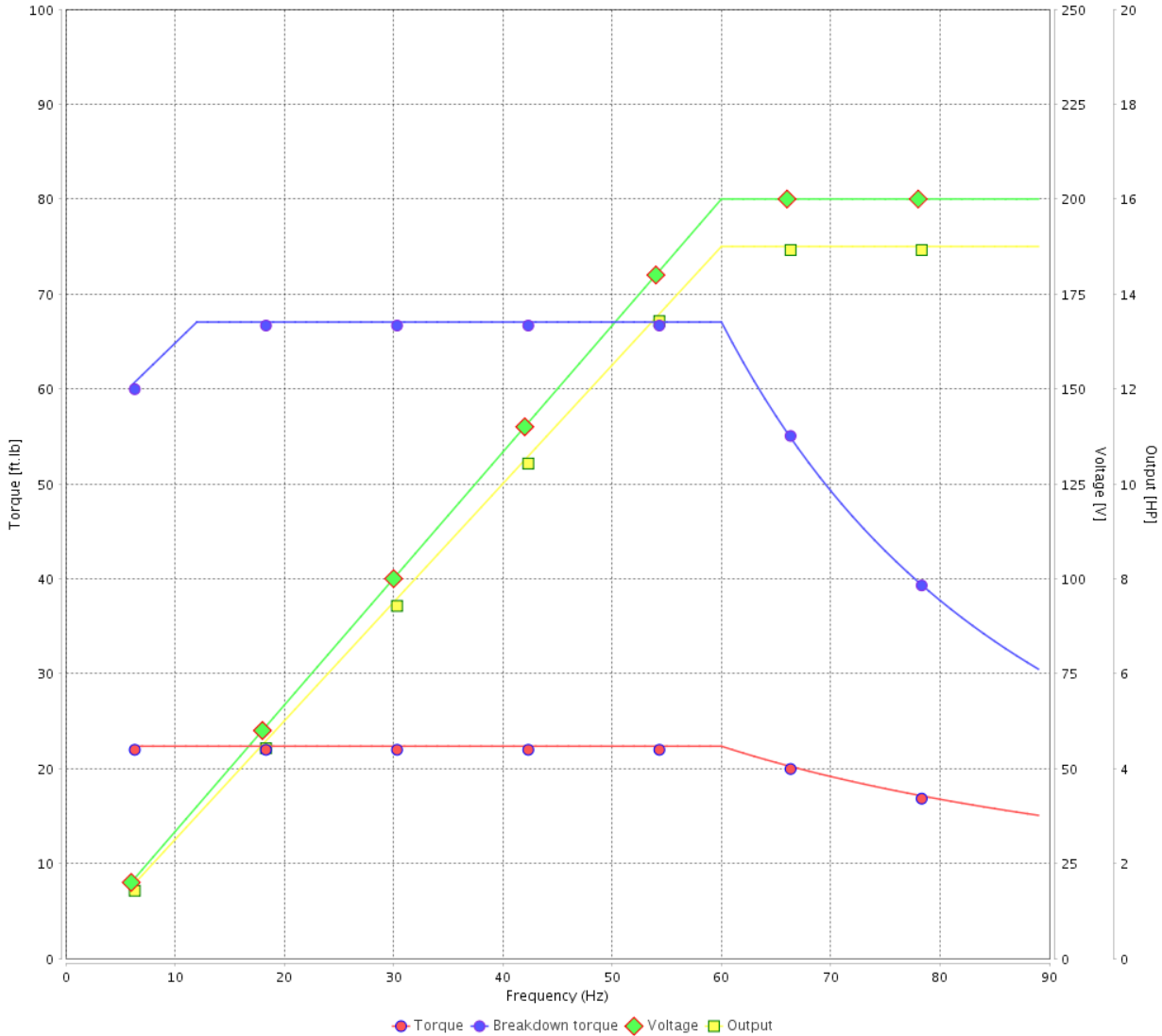
Customer :

Product line : JP Pump NEMA Premium Efficiency Three-Phase

Product code : 14328078

Catalog # : 01536ET3V254JP-S

VFD OPERATION CURVE



Performance : 200/400 V 60 Hz 2P

Rated current : 40.0/20.0 A  
 LRC : 6.8  
 Rated torque : 22.3 ft.lb  
 Locked rotor torque : 200 %  
 Breakdown torque : 300 %  
 Rated speed : 3525 rpm

Moment of inertia (J) : 0.8718 sq.ft.lb  
 Duty cycle : Cont.(S1)  
 Insulation class : F  
 Service factor : 1.15  
 Temperature rise : 80 K  
 Design : B

Rev.	Changes Summary	Performed	Checked	Date
Performed by			Page 6 / 6	Revision
Checked by				
Date	13/04/2022			

1 2 3 4 5 6

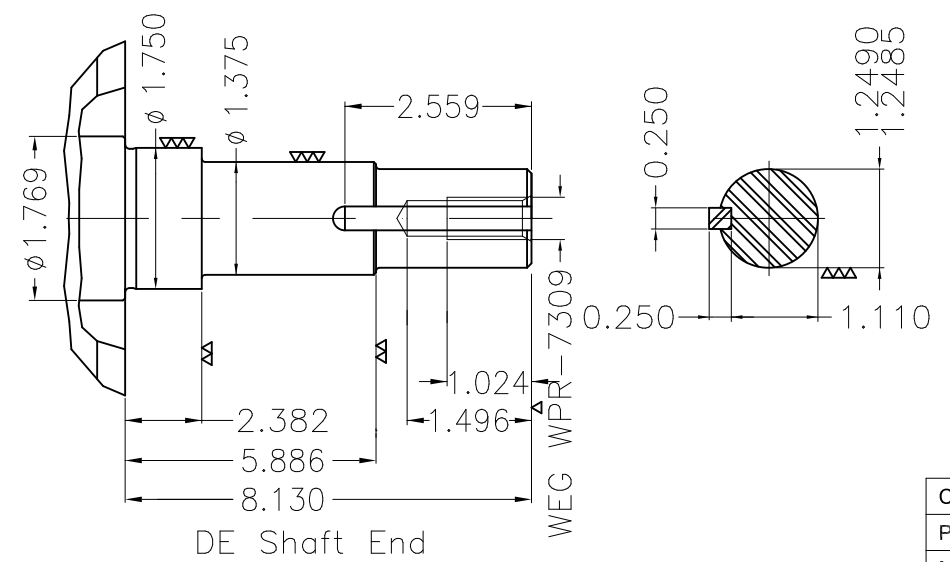
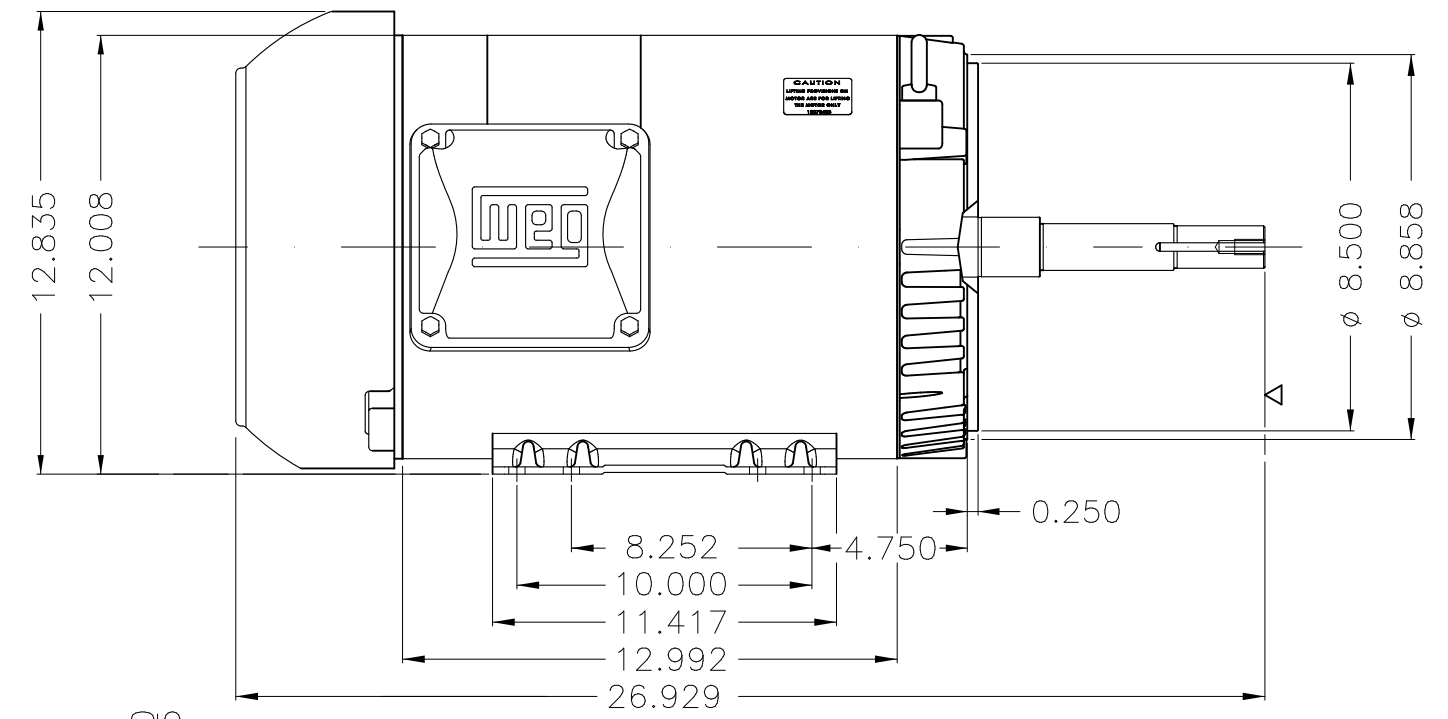
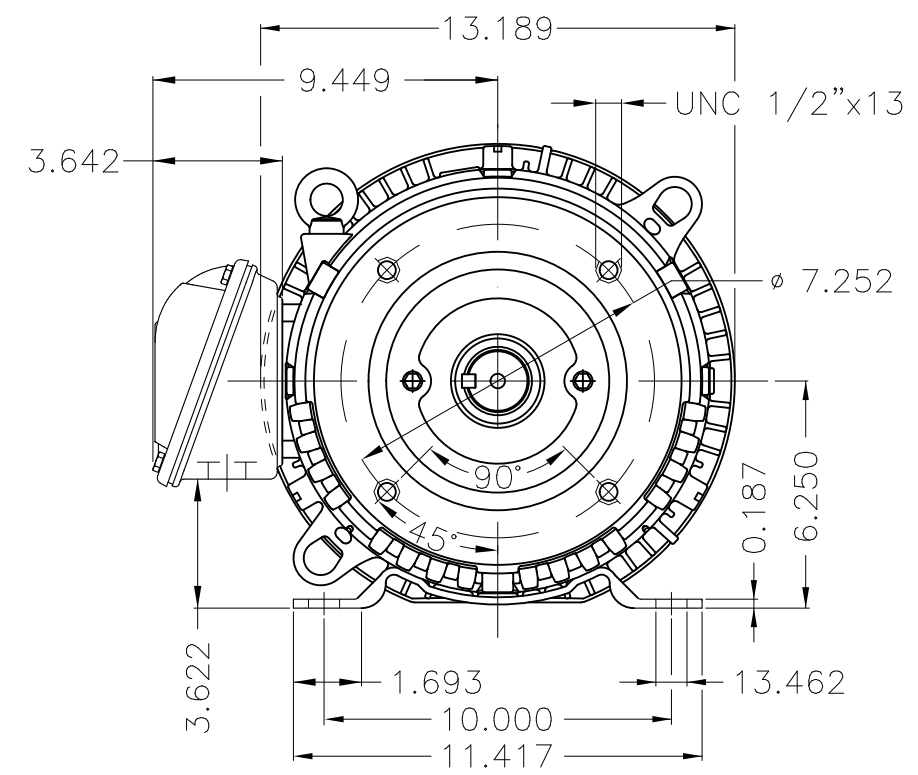
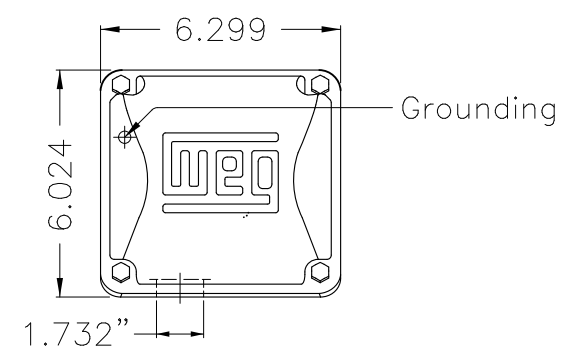
A

B

C

D

E



EUNC 1/2"-13 WEG WPR-7309

DE Shaft End

Color Munsell N 1 matte black  
 Painting plan 207N  
 Mounting F-1/B34R(D)

ECM	LOC	SUMMARY OF MODIFICATIONS	EXECUTED	CHECKED	RELEASED	DATE	VER
EXECUTED	PIRWBUSER	THREE PH. MOTOR ROLLED STEEL CLOSE COUPLED PUMP JP 300 DE PREM 1/2"					
CHECKED		FRAME 254/6JP IP55 TEFC					
RELEASED							
REL DT.		WMO Jaragua do Sul	Product Engineering	WDD	SHEET	1 / 1	

15 HP 02 Poles 60 Hz

