

DATA SHEET



Three Phase Induction Motor - Squirrel Cage

Customer	:		
Product line	: JP Pump NEMA Premium Efficiency Three-Phase	Product code :	14327822
		Catalog # :	01536OT3E215JP-SG
Frame	: 213/5JP	Cooling method	: IC01 - ODP
Insulation class	: F	Mounting	: F-1
Duty cycle	: Cont.(S1)	Rotation ¹	: Both (CW and CCW)
Ambient temperature	: -20°C to +40°C	Starting method	: Direct On Line
Altitude	: 1000 m.a.s.l.	Approx. weight ²	: 131 lb
Design	: B	Moment of inertia (J)	: 0.5512 sq.ft.lb
Output [HP]	15	15	15
Poles	2	2	2
Frequency [Hz]	60	50	50
Rated voltage [V]	230/460	190/380	220/415
Rated current [A]	34.4/17.2	42.0/21.0	37.9/20.1
L. R. Amperes [A]	234/117	227/113	227/121
LRC [A]	6.8x(Code G)	5.4x(Code E)	6.0x(Code F)
No load current [A]	12.3/6.17	12.1/6.04	12.8/6.81
Rated speed [RPM]	3535	2905	2910
Slip [%]	1.81	3.17	3.00
Rated torque [ft.lb]	22.3	27.1	27.1
Locked rotor torque [%]	210	160	180
Breakdown torque [%]	280	200	229
Service factor	1.15	1.00	1.00
Temperature rise	80 K	105 K	80 K
Locked rotor time	14s (cold) 8s (hot)	0s (cold) 0s (hot)	0s (cold) 0s (hot)
Noise level ²	66.0 dB(A)	64.0 dB(A)	64.0 dB(A)
Efficiency (%)	25%	90.1	91.3
	50%	90.2	90.2
	75%	90.2	88.9
	100%	90.2	87.6
Power Factor	25%	0.50	0.57
	50%	0.77	0.83
	75%	0.86	0.89
	100%	0.89	0.91
Bearing type	: <u>Drive end</u> 6209 ZZ <u>Non drive end</u> 6206 ZZ	Foundation loads	
Sealing	: Without Without Bearing Seal Bearing Seal	Max. traction	: 285 lb
		Max. compression	: 417 lb
Lubrication interval	: - -		
Lubricant amount	: - -		
Lubricant type	: Mobil Polyrex EM		
Notes USABLE @208V 38.0A SF 1.00 SFA 38.0A			
This revision replaces and cancel the previous one, which must be eliminated. (1) Looking the motor from the shaft end. (2) Measured at 1m and with tolerance of +3dB(A). (3) Approximate weight subject to changes after manufacturing process. (4) At 100% of full load.		These are average values based on tests with sinusoidal power supply, subject to the tolerances stipulated in NEMA MG-1.	
Rev.	Changes Summary	Performed	Checked
			Date
Performed by			
Checked by			Page
Date	13/04/2022		Revision
			1 /

TORQUE AND CURRENT VS SPEED CURVE

Three Phase Induction Motor - Squirrel Cage



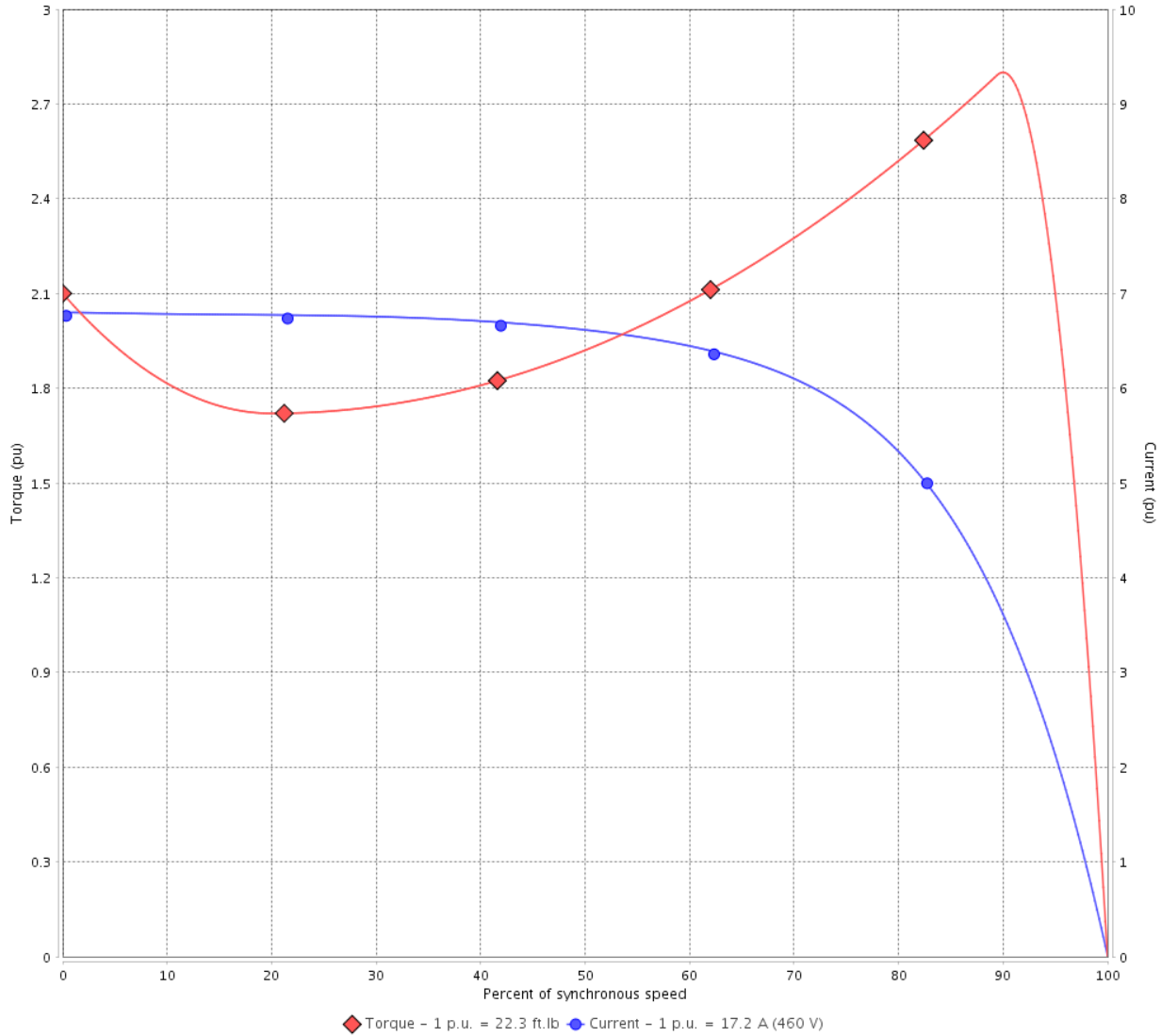
Customer :

Product line : JP Pump NEMA Premium
Efficiency Three-Phase

Product code : 14327822

Catalog # : 01536OT3E215JP-SG

TORQUE AND CURRENT VS SPEED CURVE



Performance : 230/460 V 60 Hz 2P

Rated current	: 34.4/17.2 A	Moment of inertia (J)	: 0.5512 sq.ft.lb
LRC	: 6.8	Duty cycle	: Cont.(S1)
Rated torque	: 22.3 ft.lb	Insulation class	: F
Locked rotor torque	: 210 %	Service factor	: 1.15
Breakdown torque	: 280 %	Temperature rise	: 80 K
Rated speed	: 3535 rpm	Design	: B

Locked rotor time : 14s (cold) 8s (hot)

Rev.	Changes Summary	Performed	Checked	Date
Performed by			Page 2 /	Revision
Checked by				
Date	13/04/2022			

TORQUE AND CURRENT VS SPEED CURVE



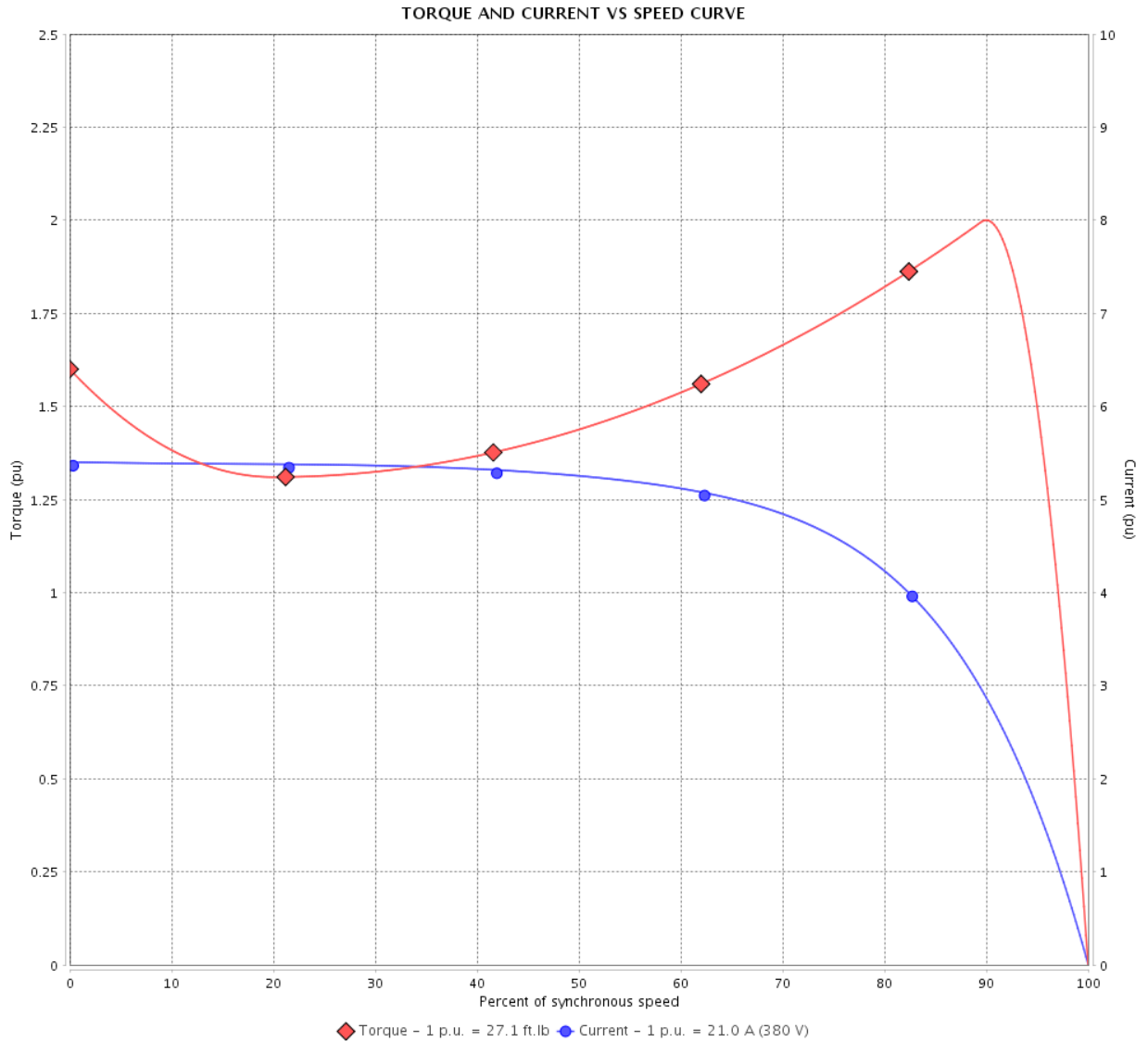
Three Phase Induction Motor - Squirrel Cage

Customer :

Product line : JP Pump NEMA Premium Efficiency Three-Phase

Product code : 14327822

Catalog # : 01536OT3E215JP-SG



Performance : 190/380 V 50 Hz 2P

Rated current : 42.0/21.0 A
 LRC : 5.4
 Rated torque : 27.1 ft.lb
 Locked rotor torque : 160 %
 Breakdown torque : 200 %
 Rated speed : 2905 rpm

Moment of inertia (J) : 0.5512 sq.ft.lb
 Duty cycle : Cont.(S1)
 Insulation class : F
 Service factor : 1.00
 Temperature rise : 105 K
 Design : B

Locked rotor time : 0s (cold) 0s (hot)

Rev.	Changes Summary	Performed	Checked	Date
Performed by			Page 3 /	Revision
Checked by				
Date	13/04/2022			

TORQUE AND CURRENT VS SPEED CURVE

Three Phase Induction Motor - Squirrel Cage



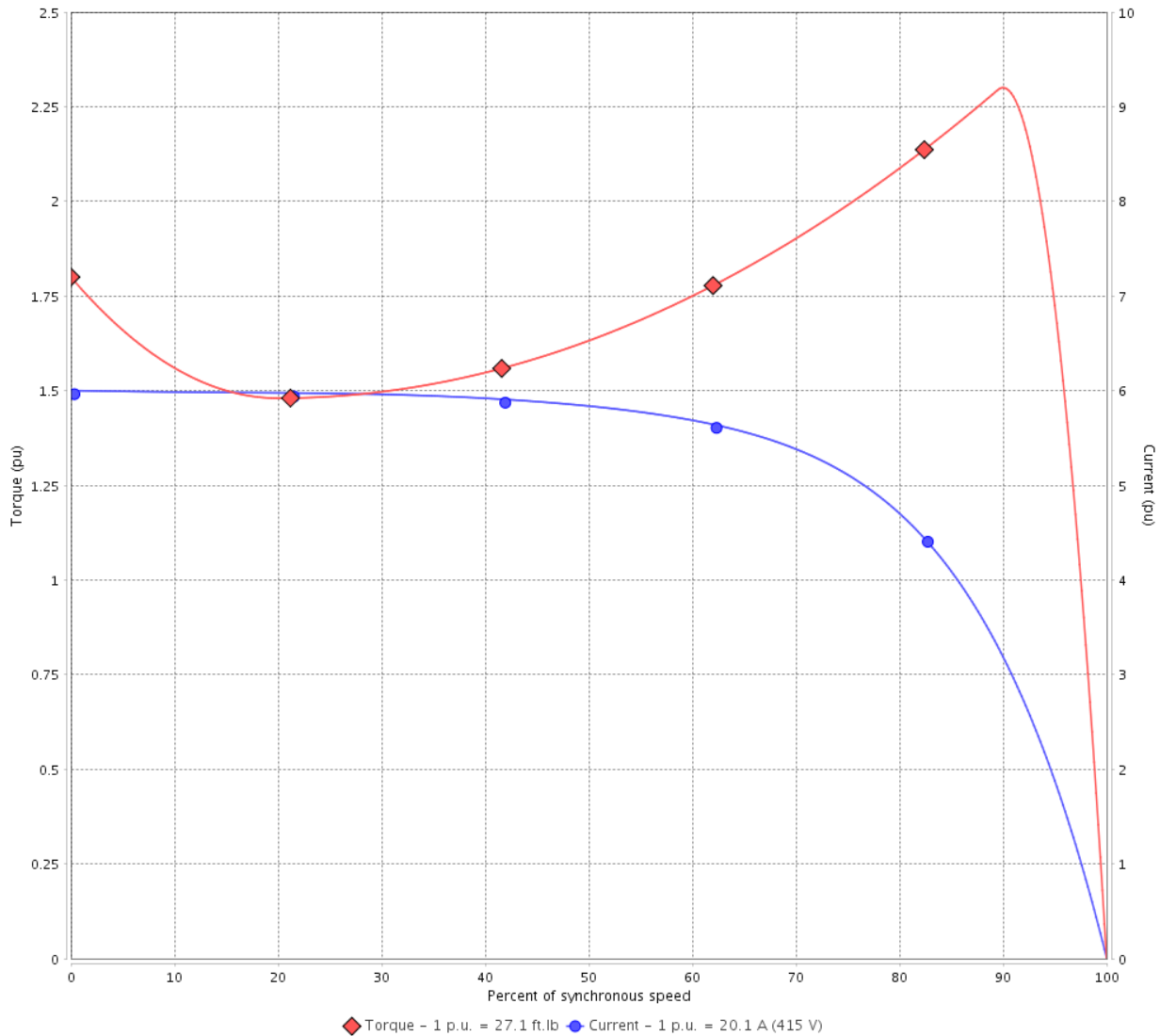
Customer :

Product line : JP Pump NEMA Premium
Efficiency Three-Phase

Product code : 14327822

Catalog # : 015360T3E215JP-SG

TORQUE AND CURRENT VS SPEED CURVE



Performance : 220/415 V 50 Hz 2P

Rated current	: 37.9/20.1 A	Moment of inertia (J)	: 0.5512 sq.ft.lb
LRC	: 6.0	Duty cycle	: Cont.(S1)
Rated torque	: 27.1 ft.lb	Insulation class	: F
Locked rotor torque	: 180 %	Service factor	: 1.00
Breakdown torque	: 229 %	Temperature rise	: 80 K
Rated speed	: 2910 rpm	Design	: B

Locked rotor time : 0s (cold) 0s (hot)

Rev.	Changes Summary	Performed	Checked	Date
Performed by			Page 4 /	Revision
Checked by				
Date	13/04/2022			

LOAD PERFORMANCE CURVE

Three Phase Induction Motor - Squirrel Cage

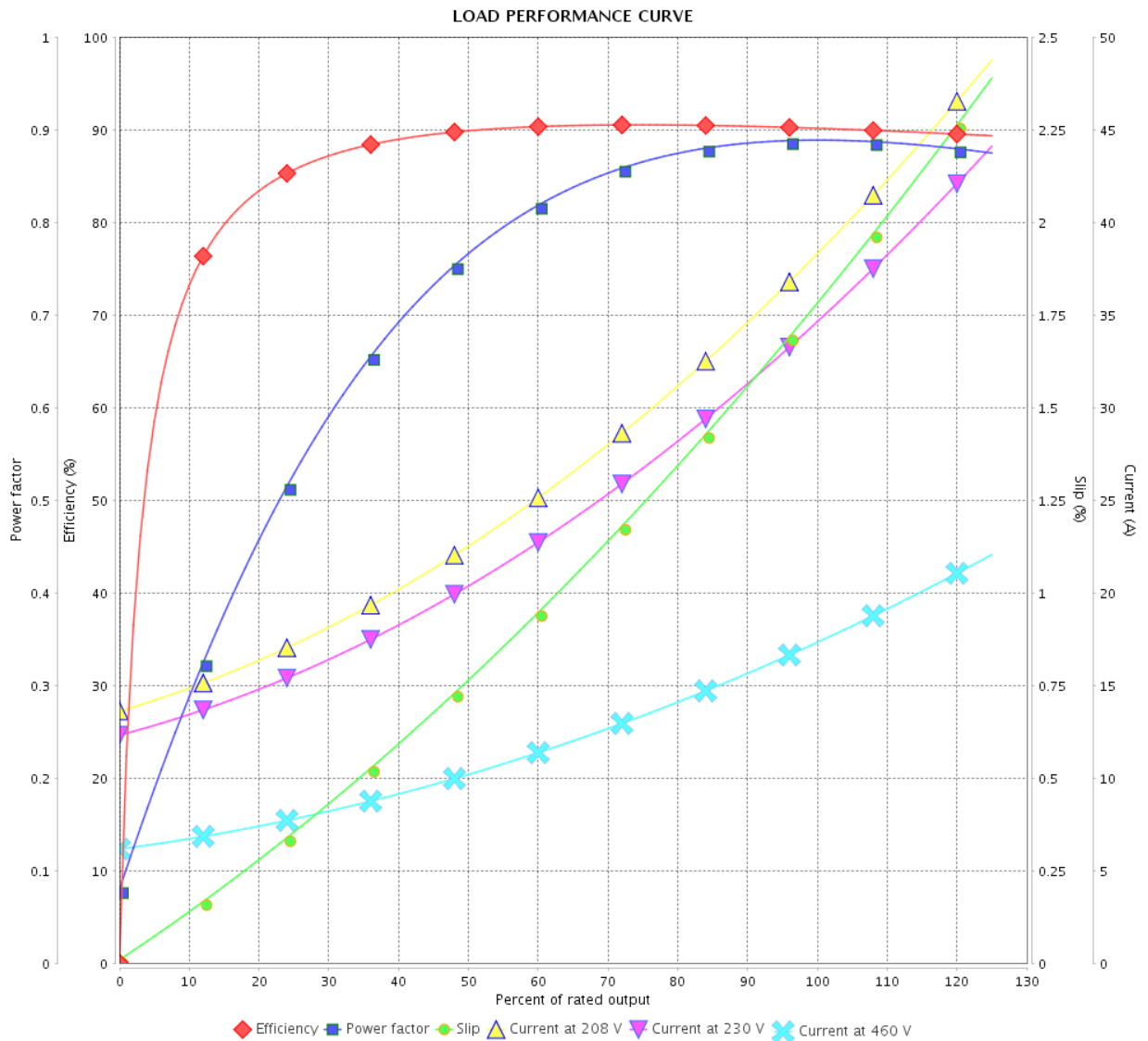


Customer :

Product line : JP Pump NEMA Premium
Efficiency Three-Phase

Product code : 14327822

Catalog # : 01536OT3E215JP-SG



Performance : 230/460 V 60 Hz 2P

Rated current : 34.4/17.2 A
 LRC : 6.8
 Rated torque : 22.3 ft.lb
 Locked rotor torque : 210 %
 Breakdown torque : 280 %
 Rated speed : 3535 rpm

Moment of inertia (J) : 0.5512 sq.ft.lb
 Duty cycle : Cont.(S1)
 Insulation class : F
 Service factor : 1.15
 Temperature rise : 80 K
 Design : B

Rev.	Changes Summary	Performed	Checked	Date
Performed by		Page		Revision
Checked by		5 /		
Date		13/04/2022		

LOAD PERFORMANCE CURVE

Three Phase Induction Motor - Squirrel Cage



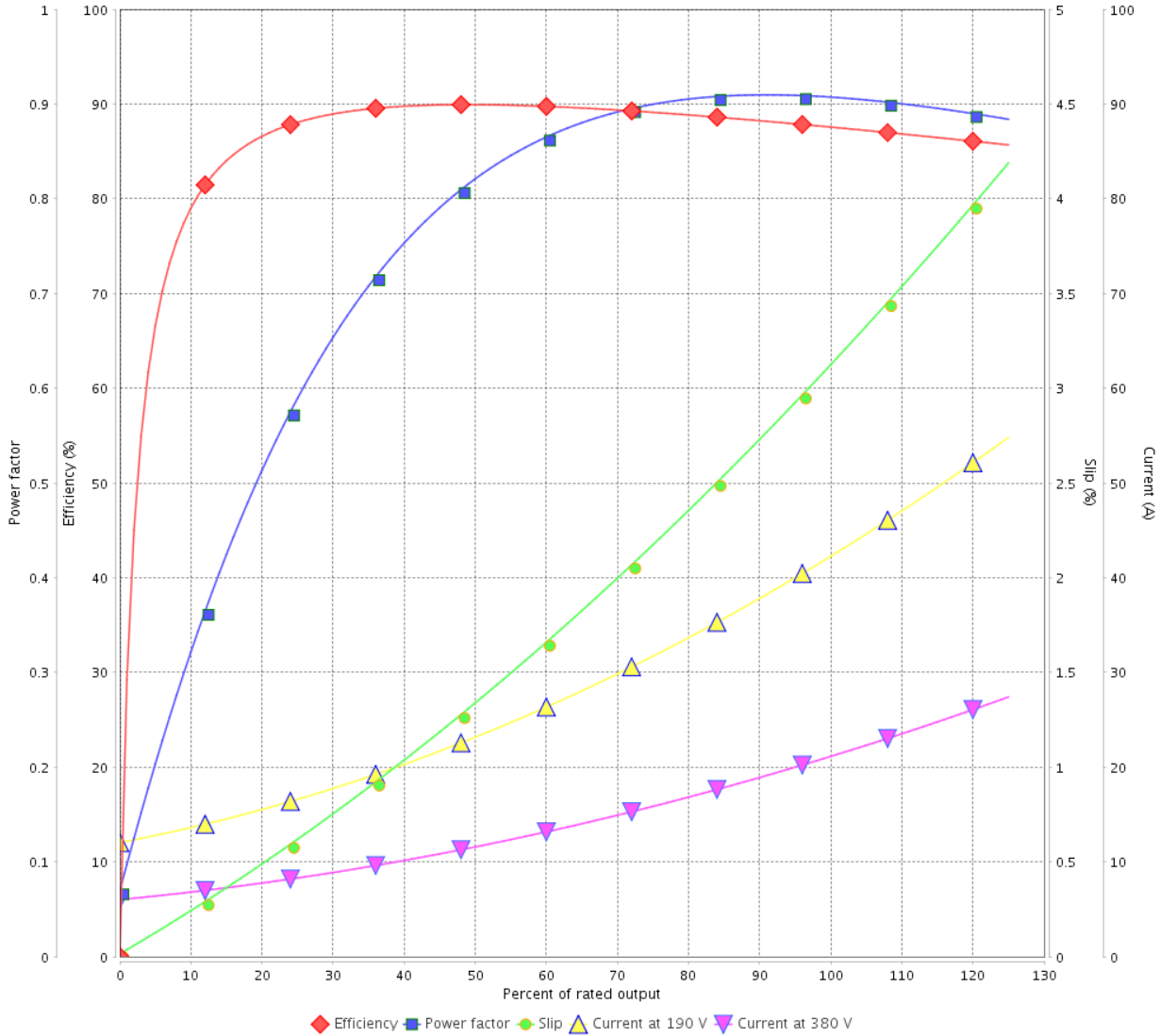
Customer :

Product line : JP Pump NEMA Premium
Efficiency Three-Phase

Product code : 14327822

Catalog # : 01536OT3E215JP-SG

LOAD PERFORMANCE CURVE



Performance : 190/380 V 50 Hz 2P

Rated current : 42.0/21.0 A
LRC : 5.4
Rated torque : 27.1 ft.lb
Locked rotor torque : 160 %
Breakdown torque : 200 %
Rated speed : 2905 rpm

Moment of inertia (J) : 0.5512 sq.ft.lb
Duty cycle : Cont.(S1)
Insulation class : F
Service factor : 1.00
Temperature rise : 105 K
Design : B

Rev.	Changes Summary	Performed	Checked	Date
Performed by			Page	Revision
Checked by			6 /	
Date	13/04/2022			

LOAD PERFORMANCE CURVE

Three Phase Induction Motor - Squirrel Cage

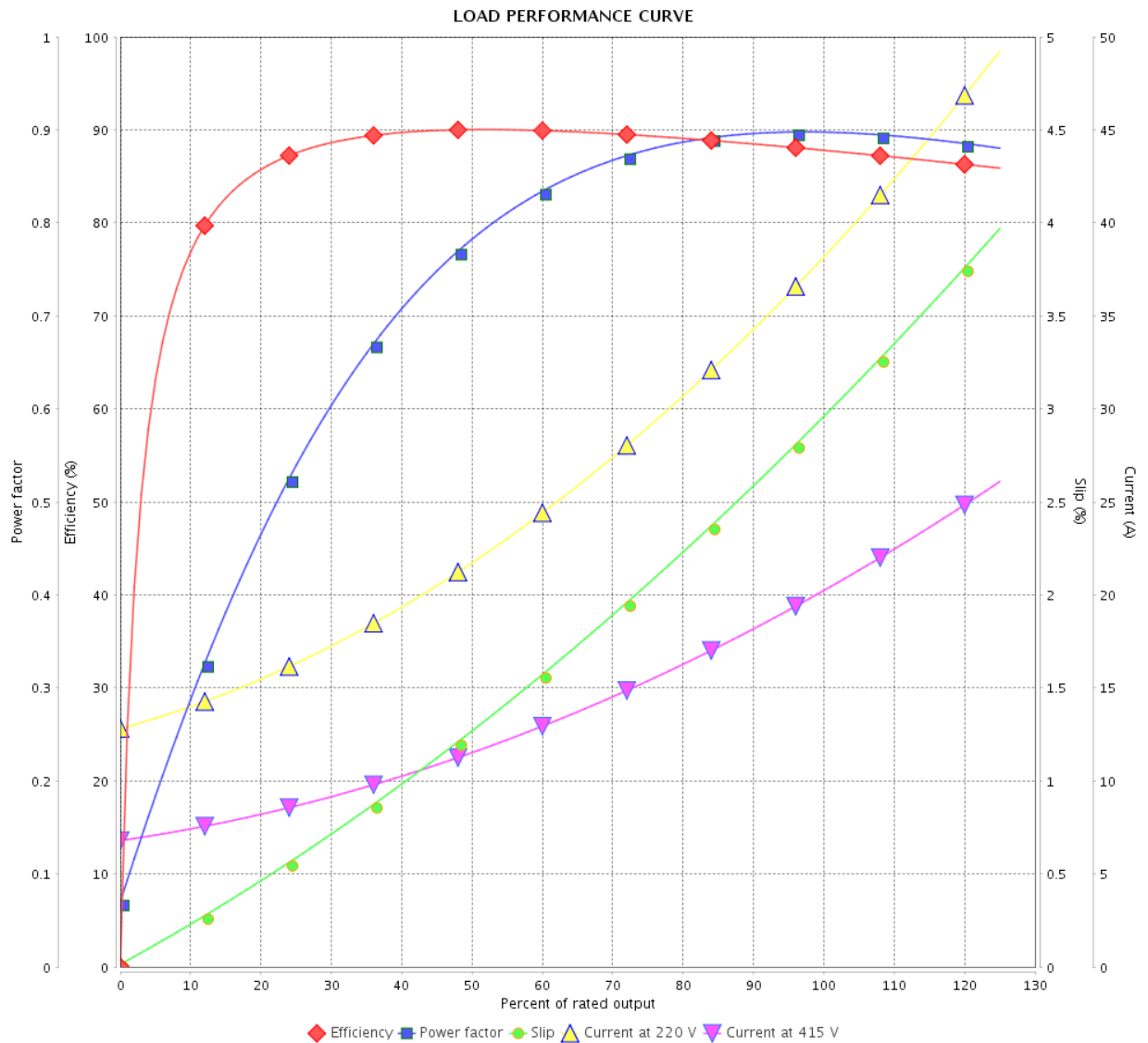


Customer :

Product line : JP Pump NEMA Premium
Efficiency Three-Phase

Product code : 14327822

Catalog # : 01536OT3E215JP-SG



Performance : 220/415 V 50 Hz 2P

Rated current : 37.9/20.1 A
LRC : 6.0
Rated torque : 27.1 ft.lb
Locked rotor torque : 180 %
Breakdown torque : 229 %
Rated speed : 2910 rpm

Moment of inertia (J) : 0.5512 sq.ft.lb
Duty cycle : Cont.(S1)
Insulation class : F
Service factor : 1.00
Temperature rise : 80 K
Design : B

Rev.	Changes Summary	Performed	Checked	Date
Performed by		Page		Revision
Checked by		7 /		
Date		13/04/2022		

THERMAL LIMIT CURVE



Three Phase Induction Motor - Squirrel Cage

Customer :

Product line : JP Pump NEMA Premium
Efficiency Three-Phase

Product code : 14327822

Catalog # : 01536OT3E215JP-SG

Performance : 230/460 V 60 Hz 2P

Rated current : 34.4/17.2 A
LRC : 6.8
Rated torque : 22.3 ft.lb
Locked rotor torque : 210 %
Breakdown torque : 280 %
Rated speed : 3535 rpm

Moment of inertia (J) : 0.5512 sq.ft.lb
Duty cycle : Cont.(S1)
Insulation class : F
Service factor : 1.15
Temperature rise : 80 K
Design : B

Heating constant

Cooling constant

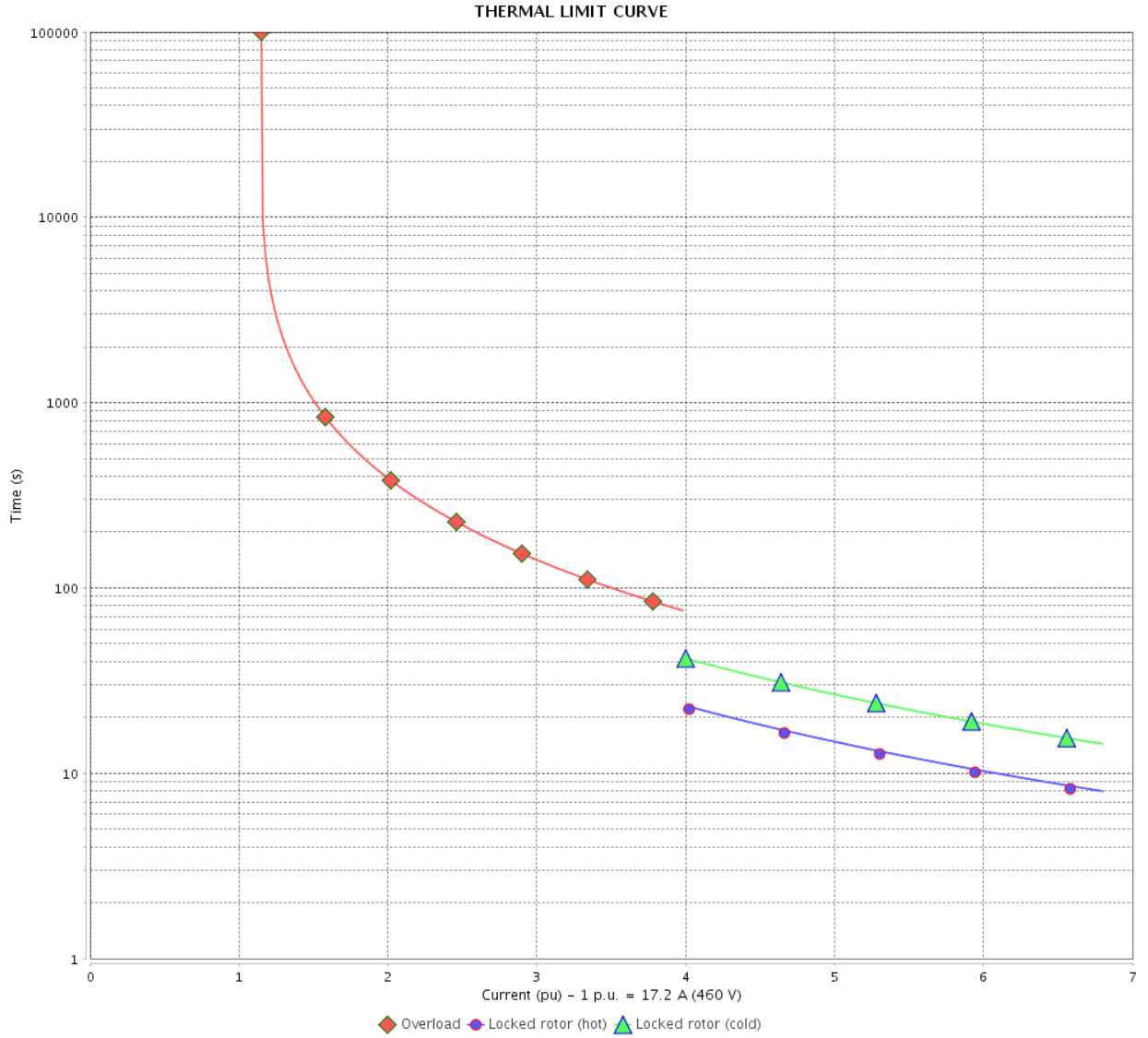
Rev.	Changes Summary	Performed	Checked	Date
Performed by				
Checked by			Page	Revision
Date	13/04/2022		8 /	

THERMAL LIMIT CURVE

Three Phase Induction Motor - Squirrel Cage



Customer : _____



Rev.	Changes Summary	Performed	Checked	Date
Performed by		Page		Revision
Checked by		9 /		
Date		13/04/2022		

THERMAL LIMIT CURVE



Three Phase Induction Motor - Squirrel Cage

Customer :

Product line : JP Pump NEMA Premium
Efficiency Three-Phase

Product code : 14327822

Catalog # : 01536OT3E215JP-SG

Performance : 190/380 V 50 Hz 2P

Rated current : 42.0/21.0 A
LRC : 5.4
Rated torque : 27.1 ft.lb
Locked rotor torque : 160 %
Breakdown torque : 200 %
Rated speed : 2905 rpm

Moment of inertia (J) : 0.5512 sq.ft.lb
Duty cycle : Cont.(S1)
Insulation class : F
Service factor : 1.00
Temperature rise : 105 K
Design : B

Heating constant

Cooling constant

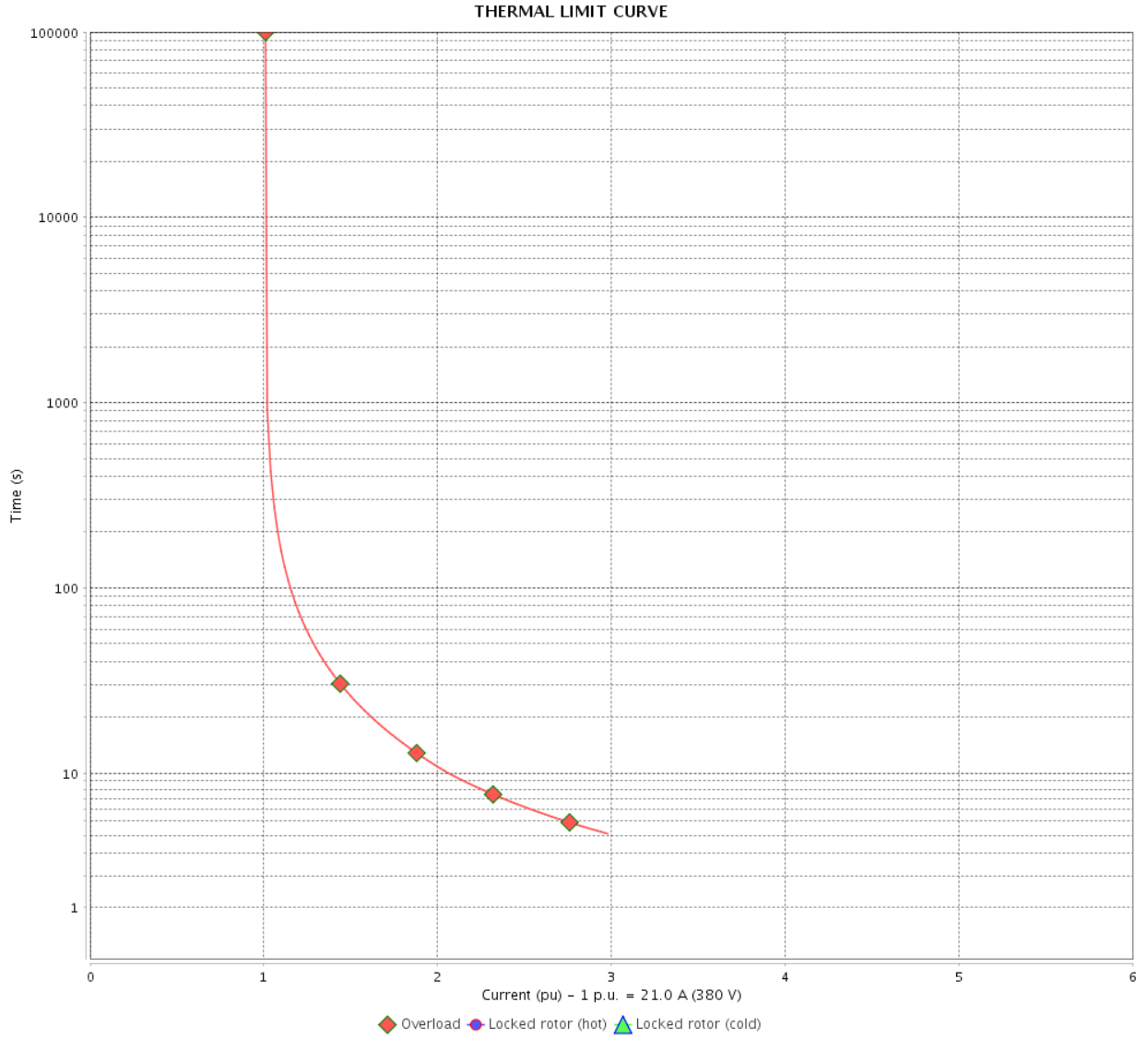
Rev.	Changes Summary	Performed	Checked	Date
Performed by				
Checked by			Page	Revision
Date	13/04/2022		10 /	

THERMAL LIMIT CURVE

Three Phase Induction Motor - Squirrel Cage



Customer : _____



Rev.	Changes Summary	Performed	Checked	Date
Performed by		Page		Revision
Checked by		11 /		
Date		13/04/2022		

THERMAL LIMIT CURVE



Three Phase Induction Motor - Squirrel Cage

Customer :

Product line : JP Pump NEMA Premium
Efficiency Three-Phase

Product code : 14327822

Catalog # : 01536OT3E215JP-SG

Performance : 220/415 V 50 Hz 2P

Rated current : 37.9/20.1 A
LRC : 6.0
Rated torque : 27.1 ft.lb
Locked rotor torque : 180 %
Breakdown torque : 229 %
Rated speed : 2910 rpm

Moment of inertia (J) : 0.5512 sq.ft.lb
Duty cycle : Cont.(S1)
Insulation class : F
Service factor : 1.00
Temperature rise : 80 K
Design : B

Heating constant

Cooling constant

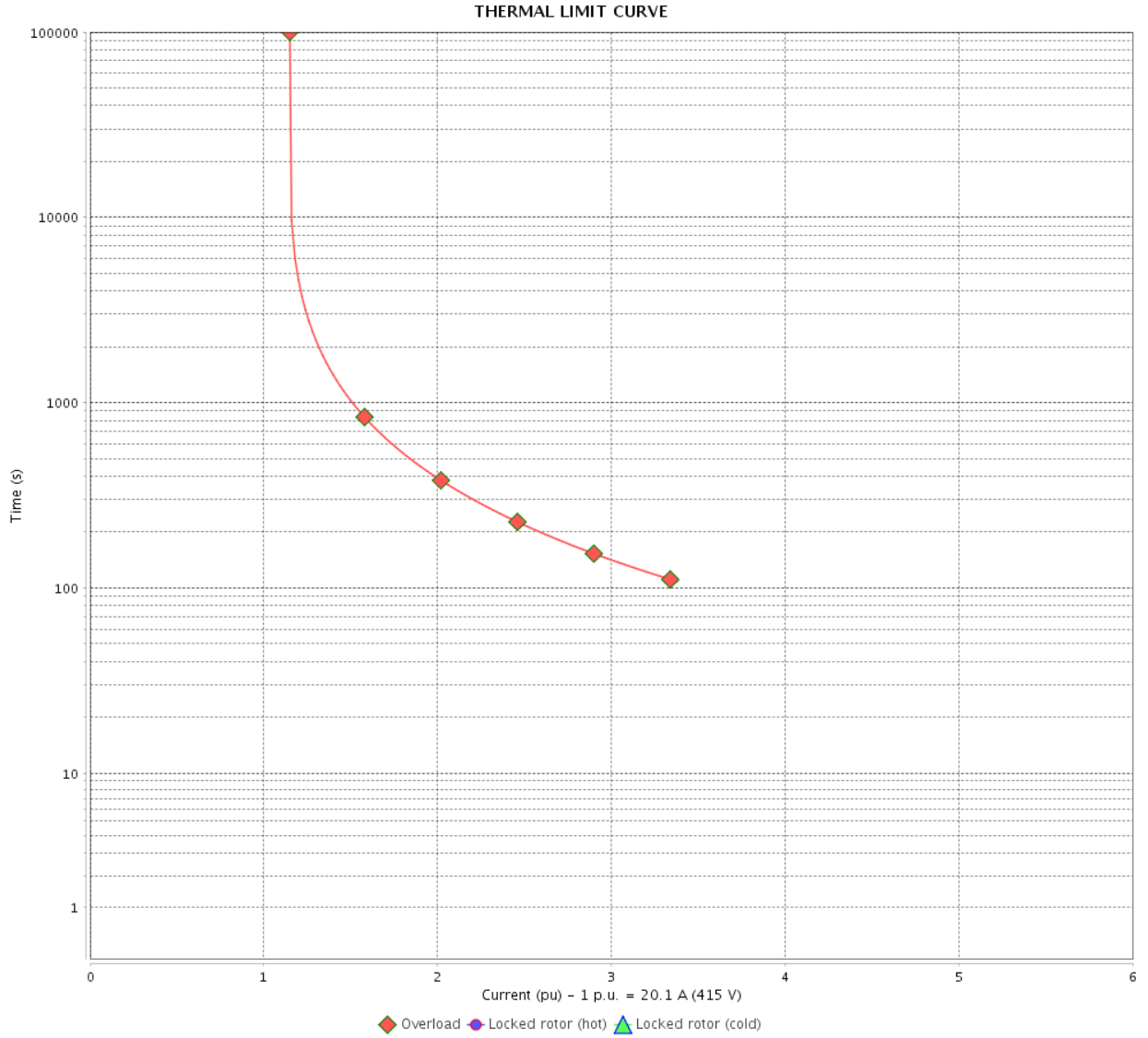
Rev.	Changes Summary	Performed	Checked	Date
Performed by				
Checked by			Page	Revision
Date	13/04/2022		12 /	

THERMAL LIMIT CURVE

Three Phase Induction Motor - Squirrel Cage



Customer : _____



Rev.	Changes Summary	Performed	Checked	Date
Performed by		Page Revision 13 /		
Checked by				
Date				

VFD OPERATION CURVE

Three Phase Induction Motor - Squirrel Cage



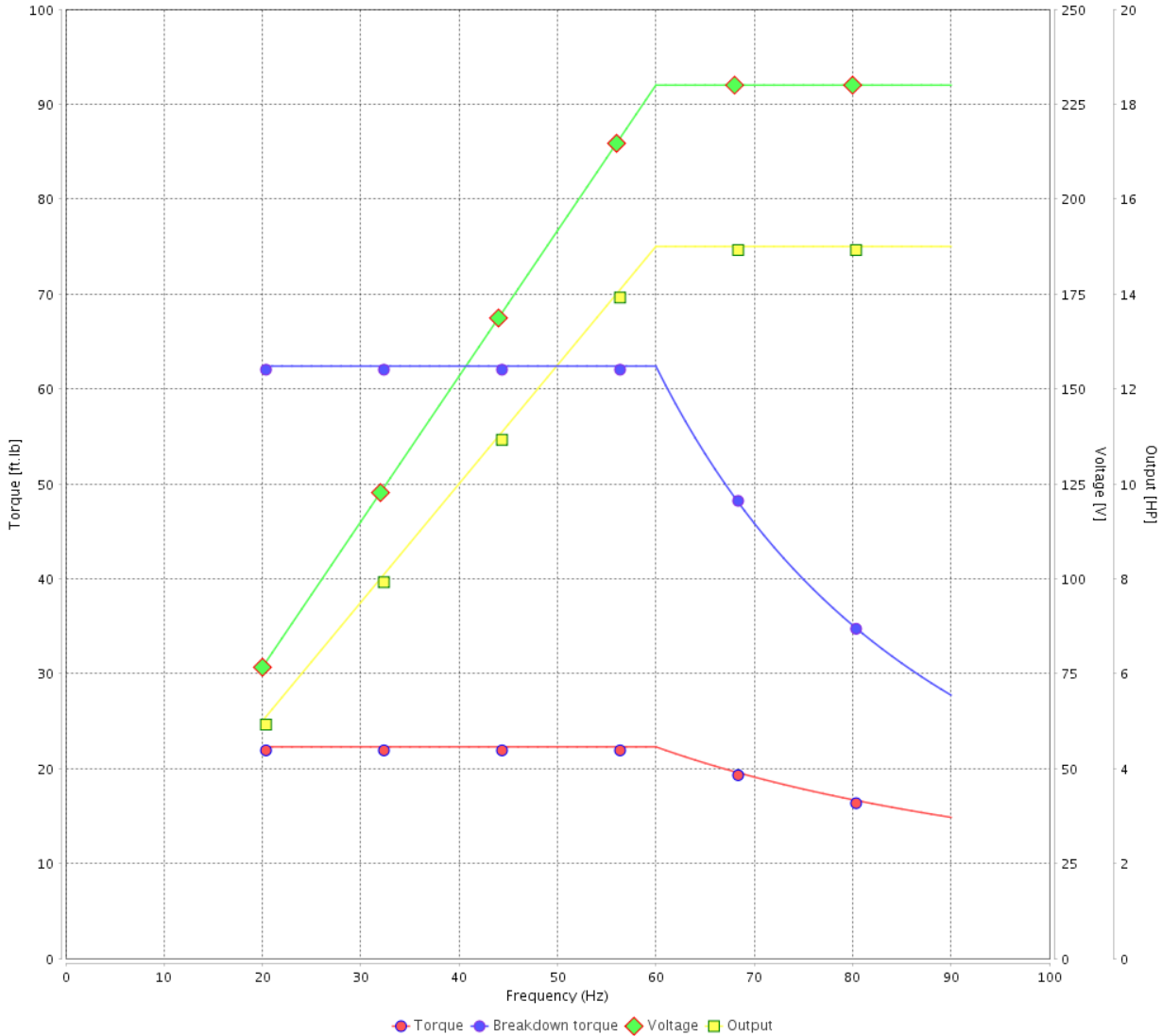
Customer :

Product line : JP Pump NEMA Premium Efficiency Three-Phase

Product code : 14327822

Catalog # : 01536OT3E215JP-SG

VFD OPERATION CURVE



Performance : 230/460 V 60 Hz 2P

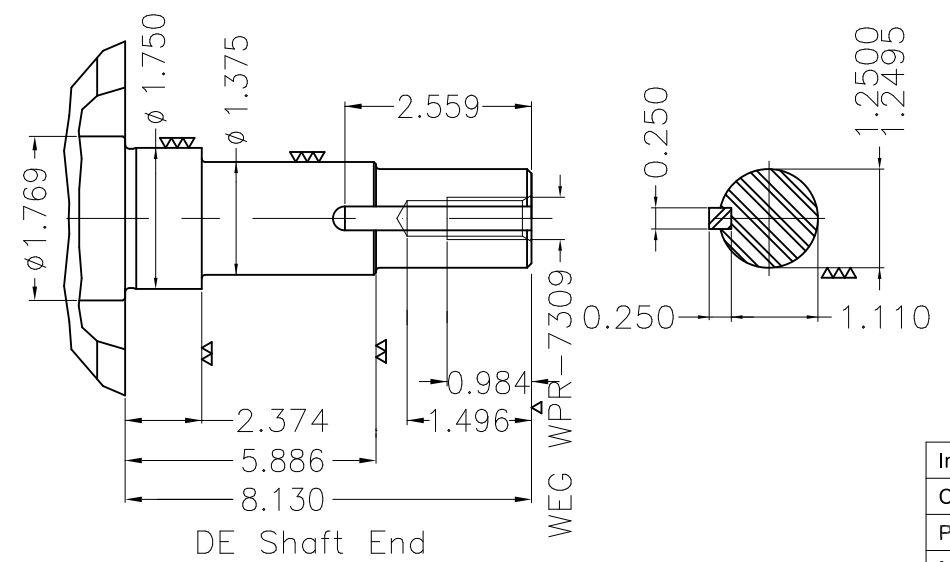
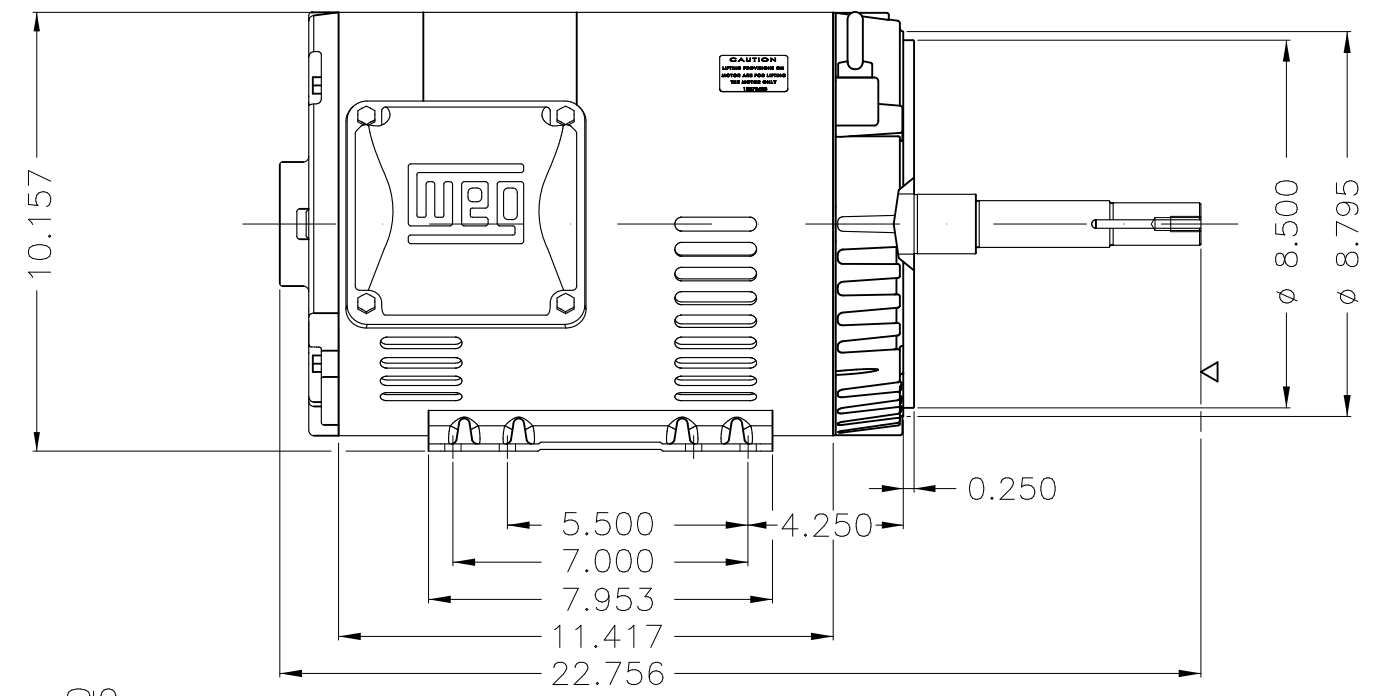
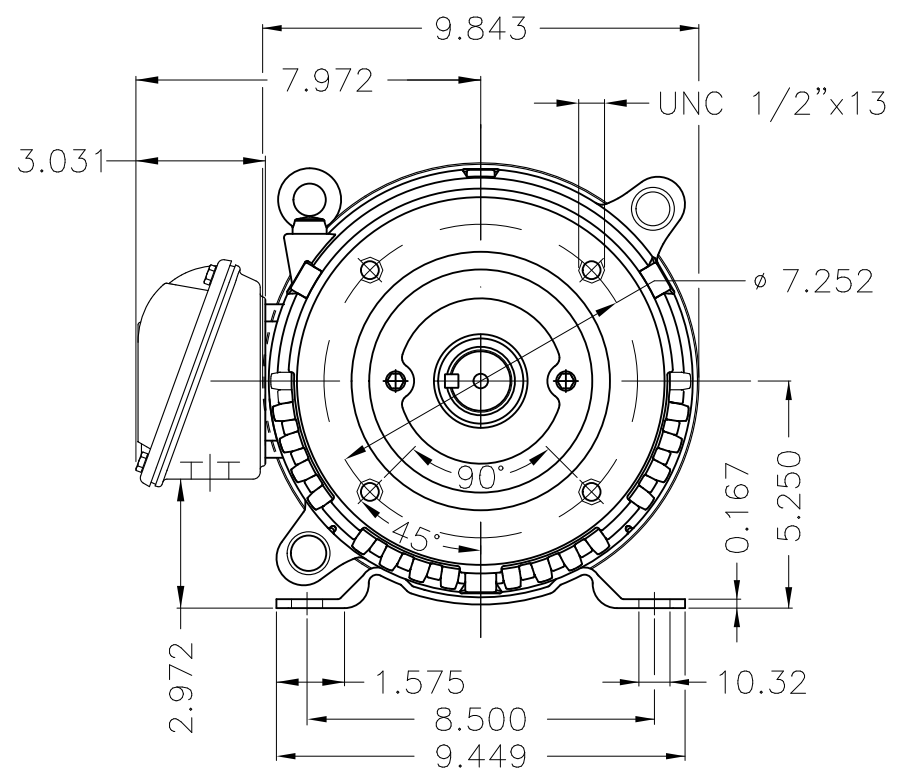
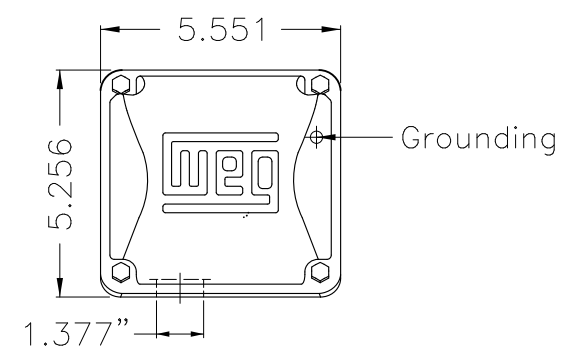
Rated current : 34.4/17.2 A
 LRC : 6.8
 Rated torque : 22.3 ft.lb
 Locked rotor torque : 210 %
 Breakdown torque : 280 %
 Rated speed : 3535 rpm

Moment of inertia (J) : 0.5512 sq.ft.lb
 Duty cycle : Cont.(S1)
 Insulation class : F
 Service factor : 1.15
 Temperature rise : 80 K
 Design : B

Rev.	Changes Summary	Performed	Checked	Date
Performed by			Page 14 /	Revision
Checked by				
Date	13/04/2022			

1 2 3 4 5 6

A
B
C
D
E



EUNC 1/2"-13 WEG WPR-7309

DE Shaft End

Internal AEGIS ground ring on the DE
 Color Munsell N 1 matte black
 Painting plan 207N
 Mounting F-1/B34R(D)

ECM	LOC	SUMMARY OF MODIFICATIONS	EXECUTED	CHECKED	RELEASED	DATE	VER
EXECUTED	PIRBUSER	THREE PH. MOTOR ROLLED STEEL CLOSE COUPLED PUMP JP 5/5 DE PREM LFA					
CHECKED		FRAME 213/5JP IP21 ODP					
RELEASED							
REL DT.	WMO	Jaragua do Sul	Product Engineering	WDD	SHEET	1 / 1	

15 HP 02 Poles 60 Hz

